

Visscher



**INSTRUCTION
MANUAL**

ENGLISH

VERANDA - COLORADO / OSLO

11X11

Important

Before you begin

- These instructions must be followed step by step. Deviation from the instructions may void the product's warranty. See Warranty Sheet for further details.
- Read all instructions thoroughly before starting assembly.
- Use the component list as a checklist for product parts.
- Unwrap parts only as needed to keep component dealer code label intact for reference.

Site preparation

- Assemble the structure on a firm, level surface. Protect the product from damage as some pieces may be fragile.

Assistance

- If you require assistance, or need to order replacement parts, contact your Visscher Dealer.
- For additional information call the number below. Please have the serial number ready to ensure quick service.



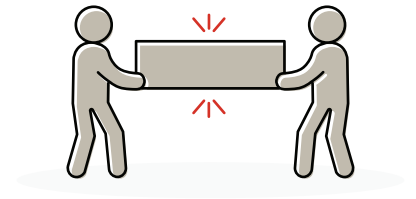
TOLL FREE 1 (877) 795-7423



Product may be subject to building code requirements. It is the consumer's responsibility to inform themselves of any restrictions prior to purchase.

Two person project

Product can be heavy.
Use care when lifting.

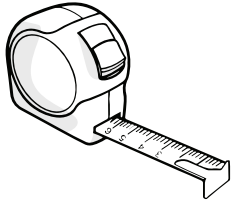


Estimated assembly
time: **4 hours**.

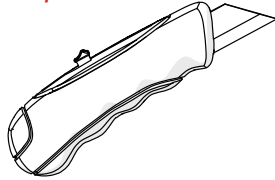
Tools

Some tools are required, others are suggested:

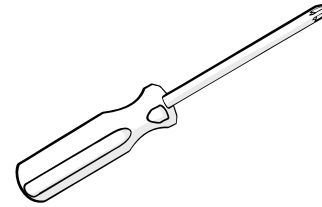
TAPE MEASURE



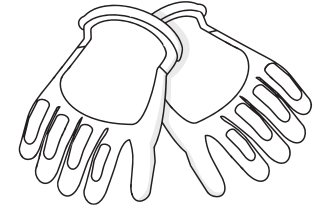
KNIFE
Required



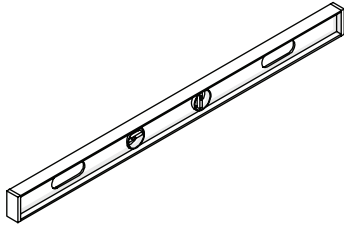
PHILLIPS SCREW DRIVER



PROTECTIVE GLOVES



BUBBLE LEVEL TOOL
Required



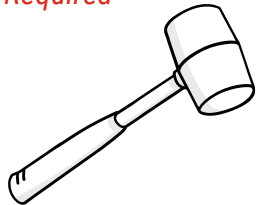
POWER DRILL
Required



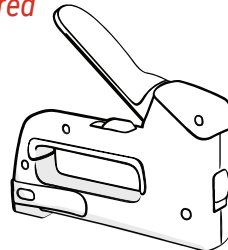
LADDER (8FT / 2.5M)
Required



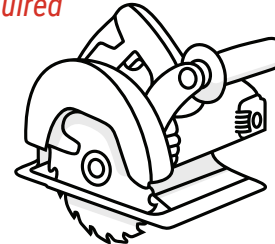
RUBBER Mallet
Required



STAPLER
Required



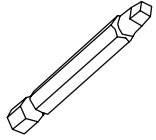
CIRCULAR SAW
Required



Hardware

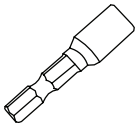
□ ROBERTSON BIT

1X



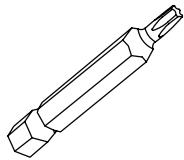
□ 3/8" HEX HEAD BIT

1X



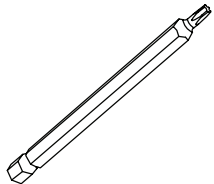
□ TORX T30 BIT

1X



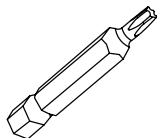
□ TORX T30 BIT 6"

1X



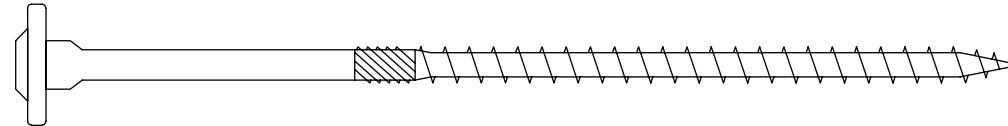
□ TORX T25 BIT

1X



W

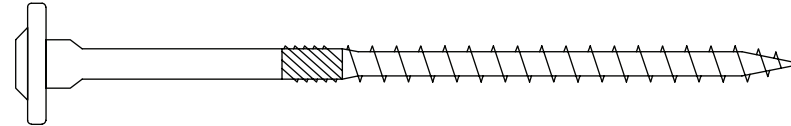
57X



5-1/8" X 5/16" RSS (T30 TORX)

V

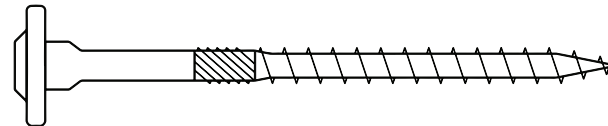
27X



4" X 5/16" RSS (T30 TORX)

X

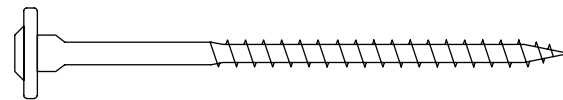
10X



3 1/8" X 5/16" RSS (T30 TORX)

U

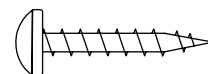
52X



2 3/4" #10 RSS (T25 TORX)

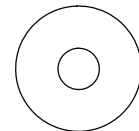
G

40X



1" #8 PAN HEAD
(#2 ROBERTSON)

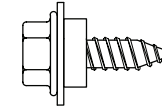
8X



1" METAL WASHER

H

314X

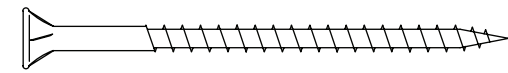


3/4" #14 HEX

* Screws can be found in 0195 - Colorado/Oslo and 0196 - Colorado/Oslo - Veranda packages.

B

506X

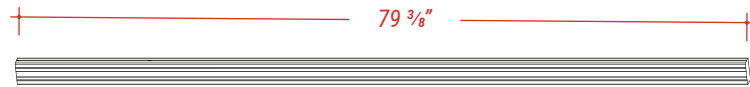


2 1/2" #8 FLAT HEAD (#2 ROBERTSON)

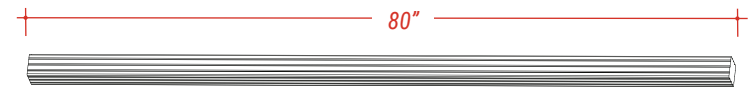
* Screws can be found in 0195 - Colorado/Oslo and 0196 - Colorado/Oslo - Veranda packages.

Components

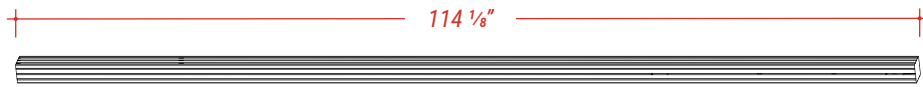
Frame Structure



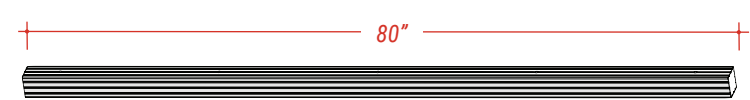
2X 4010 Narrow Post



1X 5125 Back Post



1X 4009 Front Right Post



4X 4087 Side Post (Pre-drilled)



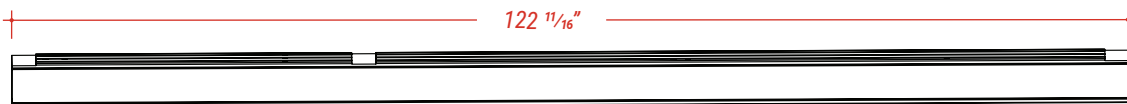
6X 4081 Corner Brace



2X 4067 Front Beam

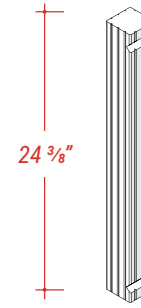


1X 4068 Back Beam

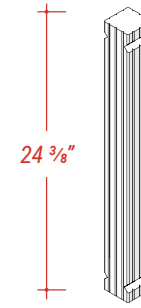


1X 4012 Side Beam

Roofing Structure & Upper Window



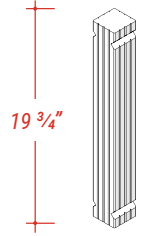
2X 4018 Front End Upright



2X 4019 Front Middle Upright



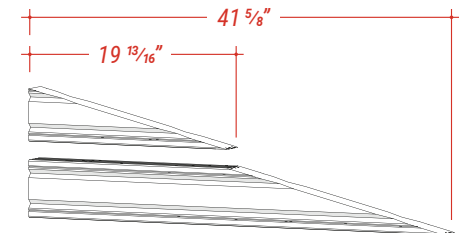
1X 4020 Side End Upright



1X 4021 Side Middle Upright

1X 4017 Gusset Top

1X 4016 Gusset Bottom

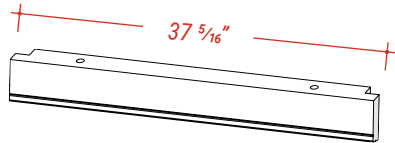


MEASUREMENTS ARE APPROXIMATE

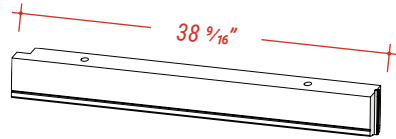
0196 Colorado/Oslo Veranda 11x11 Instructions V1.0 EN

Components

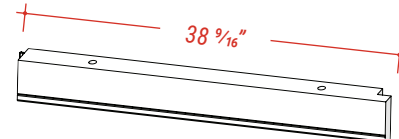
Roofing Structure & Upper Window



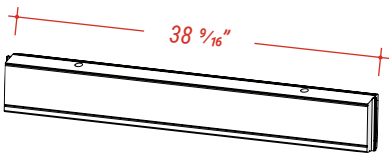
1X 4025 Back Middle Filler



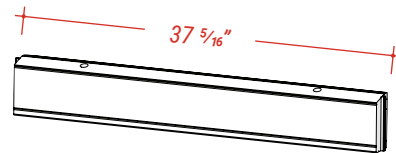
1X 4024 Back Left Filler



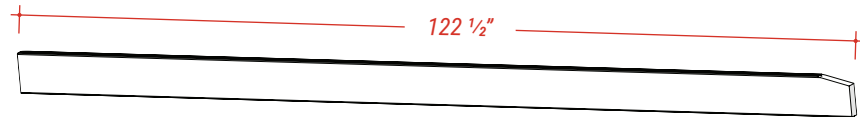
1X 4128 Back Right Filler



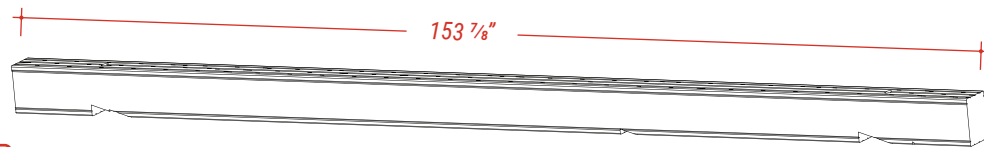
2X 4022 Front Outside Filler



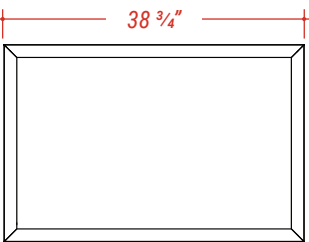
1X 4023 Front Inside Filler



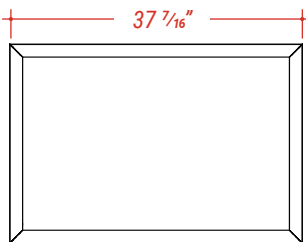
4X 4029 Tie Beam



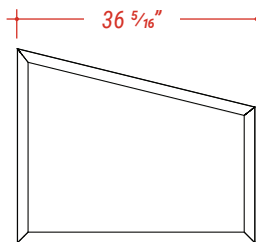
3X 4013 Rafter



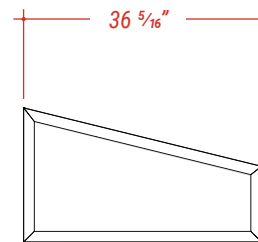
1X 2581 Window



2X 2582 Window



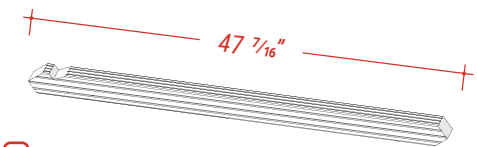
1X 2585 Window



1X 2586 Window



2X 4015 Spur Upright



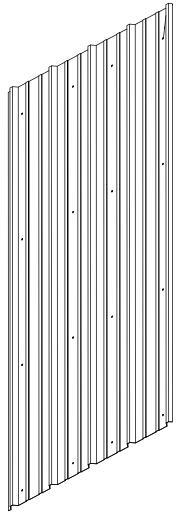
2X 4014 Angle Brace

MEASUREMENTS ARE APPROXIMATE

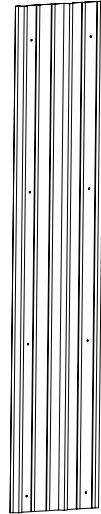
0196 Colorado/Oslo Veranda 11x11 Instructions V1.0 EN

Components

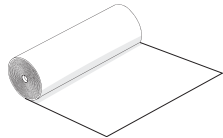
Roofing



8X 2493 Roof Sheet



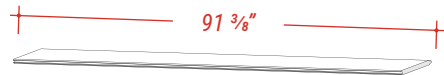
2X 3187 Partial Roof Sheet



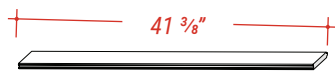
1X 2436 Tar Paper
Provided by Colorado/Oslo



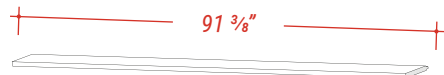
10X 1834 Foam Closure



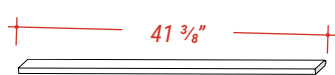
22X 2500 Ceiling Board 91 3/8"



22X 3419 Ceiling Board 41 3/8"



1X 2507 Starter 91 3/8"



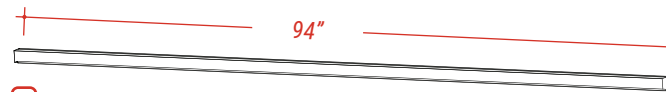
1X 3420 Starter 41 3/8"



1X 6035 Drip Edge Support 120"



1X 3282 Drip Edge Support 39 1/2"



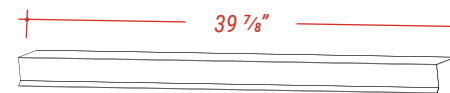
2X 2670 Top Flashing 94"
Provided by Colorado/Oslo



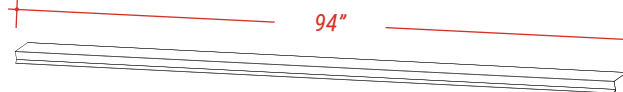
1X 6032 Top Flashing 120"



1X 2671 Overside Flashing 120"
Provided by Colorado/Oslo



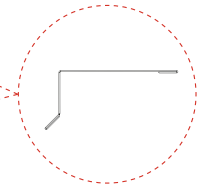
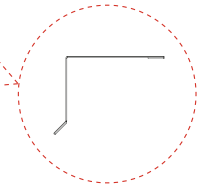
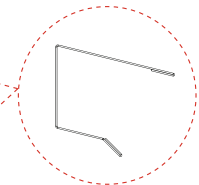
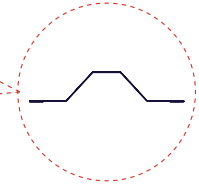
1X 2672 Overside Flashing 39 7/8"
Provided by Colorado/Oslo



2X 2673 Underside Flashing 94"
Provided by Colorado/Oslo



1X 6034 Underside Flashing 120"



MEASUREMENTS ARE APPROXIMATE

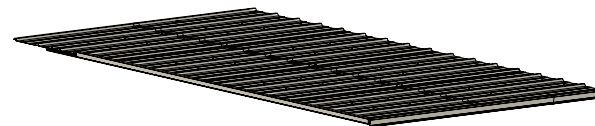
0196 Colorado/Oslo Veranda 11x11 Instructions V1.0 EN

Phases

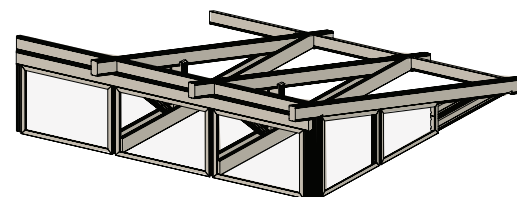
Follow the sequence of phases, as shown:

- A** Frame Structure
- B** Roofing Structure & Upper Window
- C** Roofing

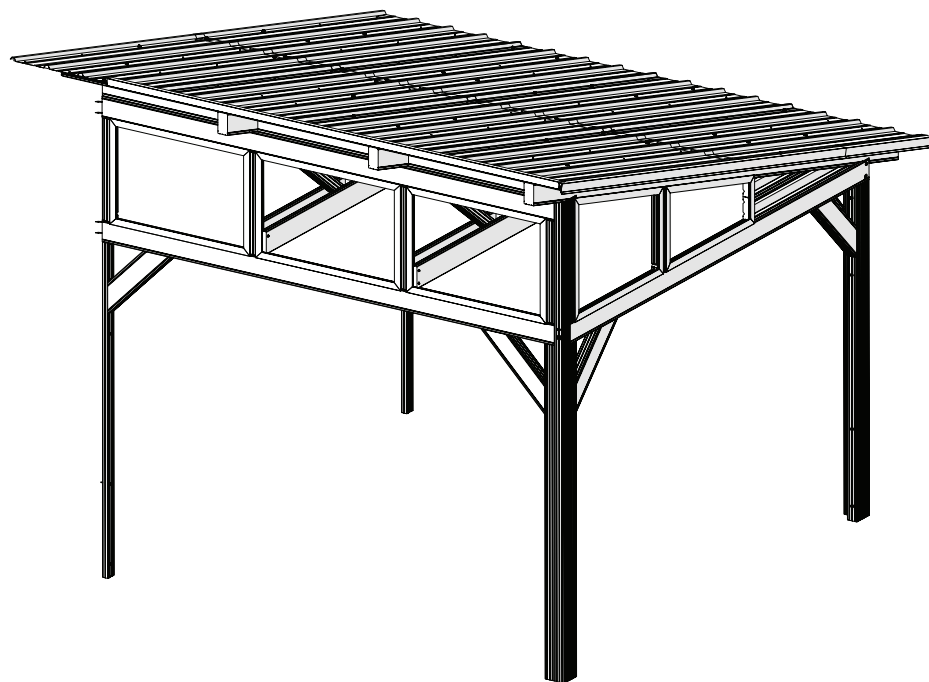
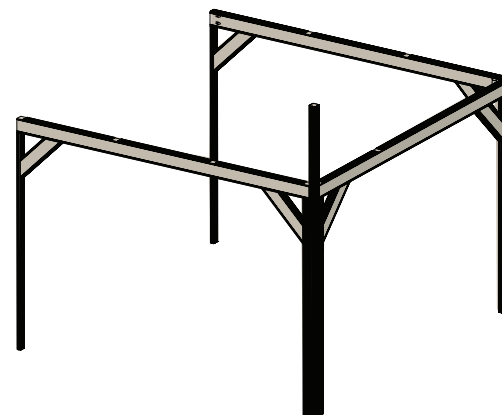
C Roofing



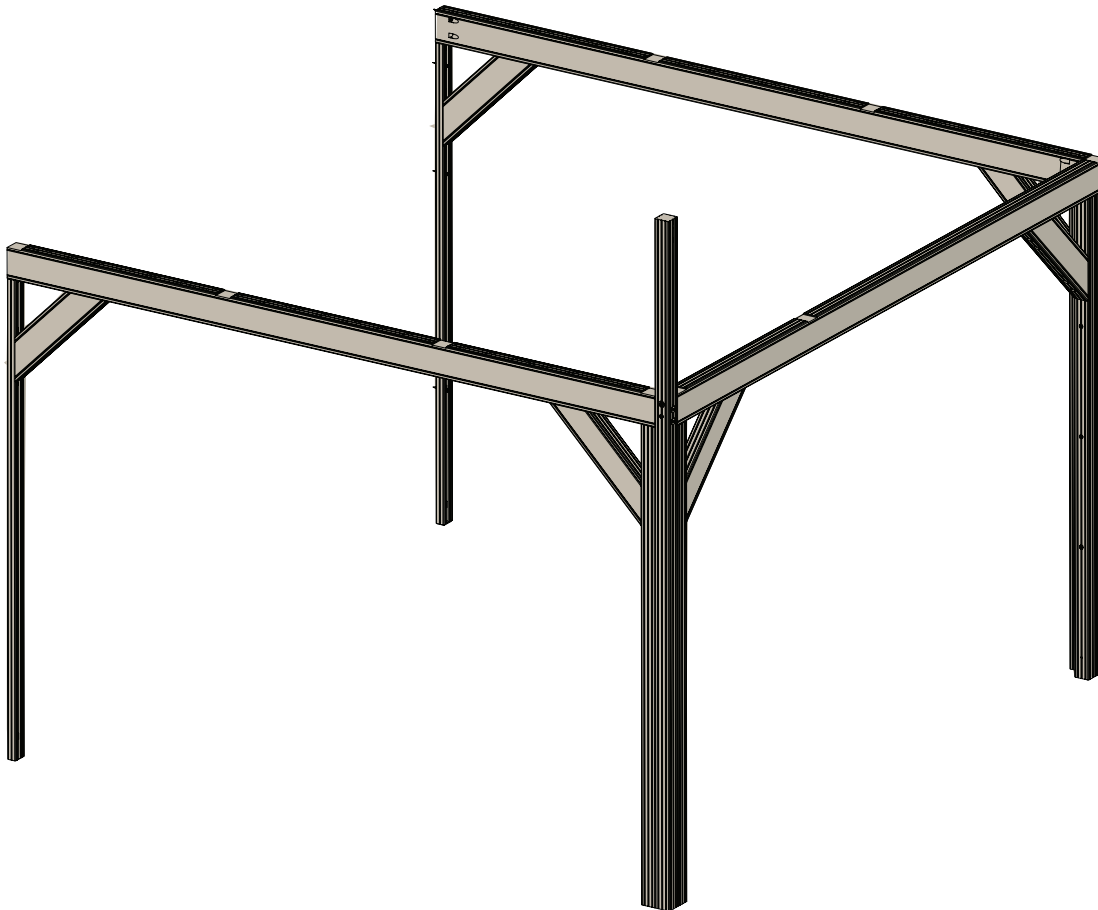
B Roofing Structure & Upper Window



A Frame Structure



Phase A



A Frame Structure

Veranda side **can be reversed** to fit your needs. *If you want to install your Veranda on the other side, contact your local dealer to order the required components for Veranda installation.*

Step 1

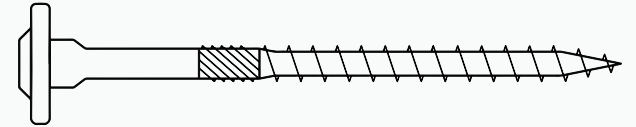
1) Fit the Narrow Post (DC 4010) and fasten to Front and Back Posts of the structure, as shown. Posts to sit tight to floor.



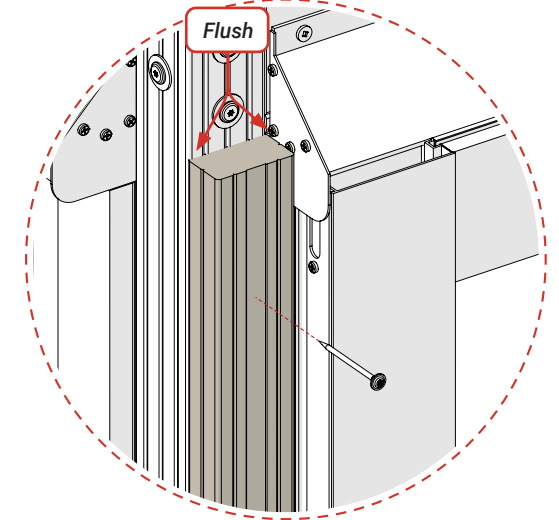
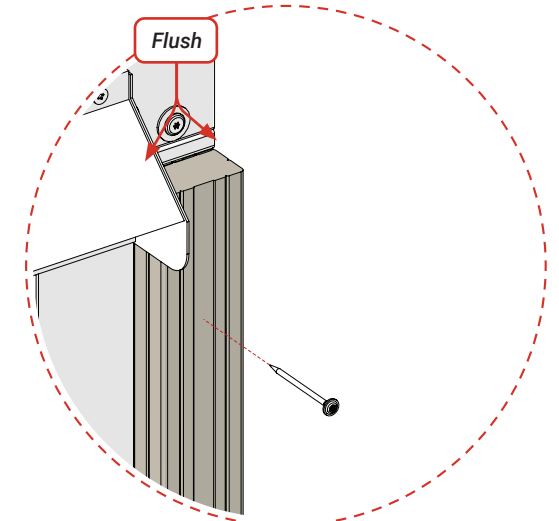
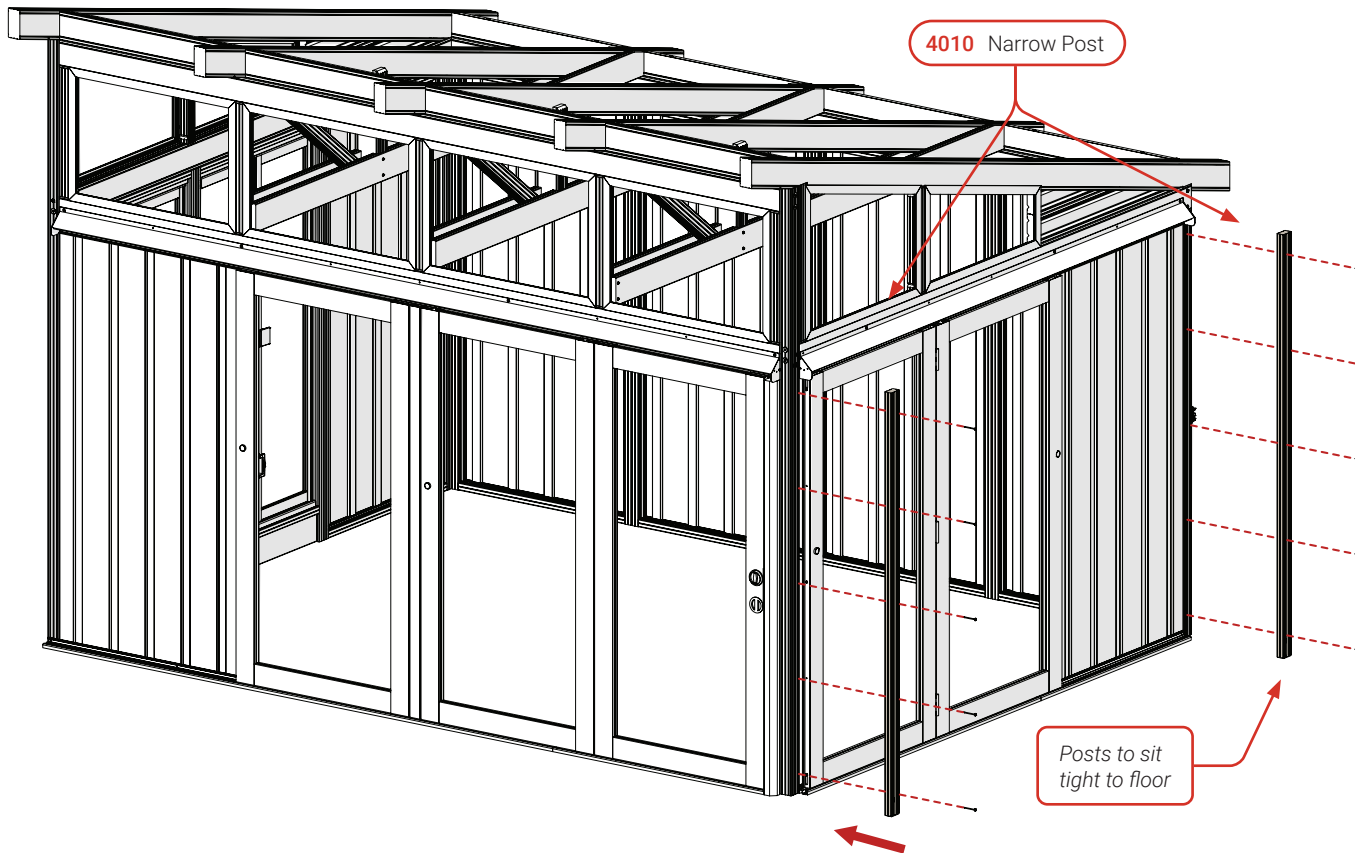
4010 Narrow Post



10X



3 1/8" X 5/16" RSS (T30 TORX)

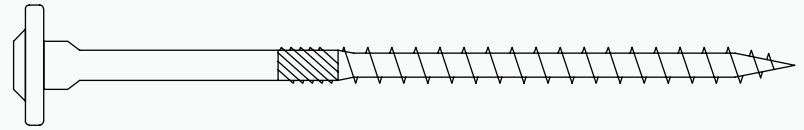


Step 2

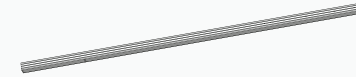
- 1) Assemble the Front-Right Post Assembly (DC 4009 and DC 4087).
- 2) Posts are to be flush to the bottom. *Pre-drilled pilot holes must be oriented as shown in the diagram. Reserve the Front-Right Post Assembly for the next steps.*



10X



4" X 5/16" RSS (T30 TORX)

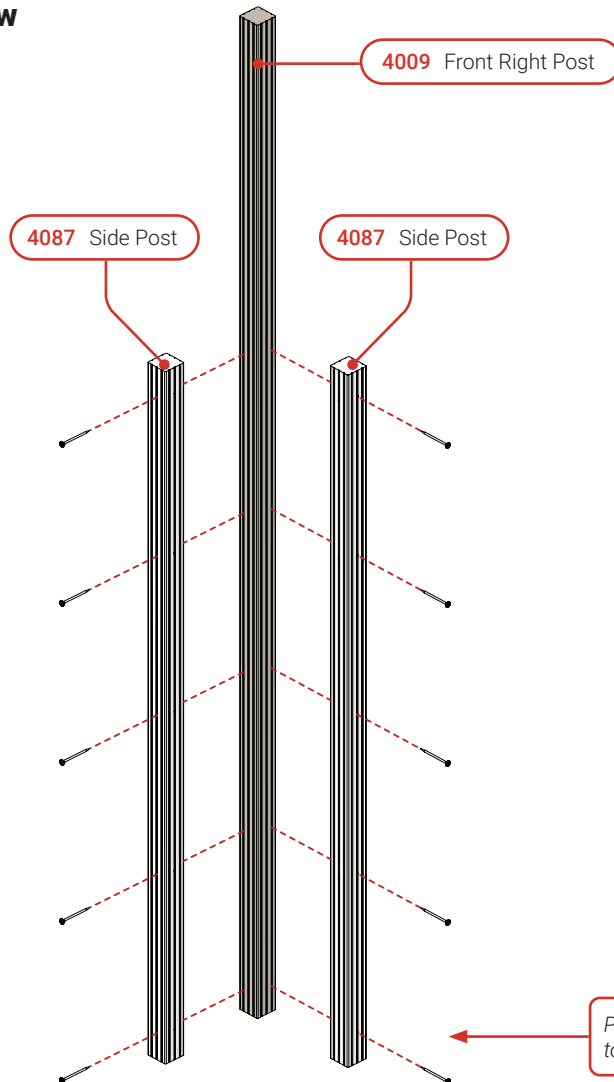


4009 Front Right Post



4087 Side Post

**Inside view
(Right)**



**Outside view
(Right)**

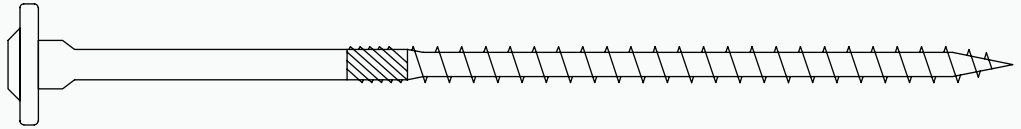
The 2-hole face need to face the **Front side** of the structure.

Note the orientation of the pre-drilled pilot holes. The **4-hole face** need to face the **Right side** of the structure.

Step 3

- 1) Stand the Front Post Assembly upright with the Front Post (DC 4009) to the outside corner.
- 2) Place the Front Beam (DC 4067) on the Narrow Post and Front Post Assembly as shown with the notches to the inside of the structure.
- 3) Fasten through the notches and pre-drilled holes.

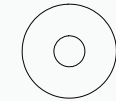
W



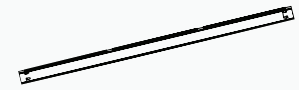
4X

5-1/8" X 5/16" RSS (T30 TORX)

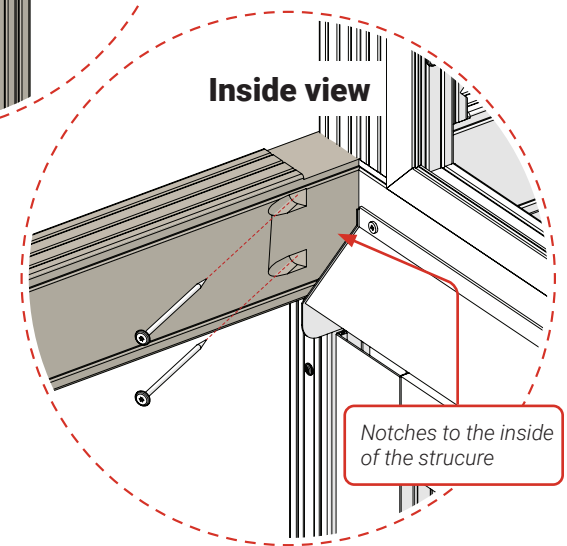
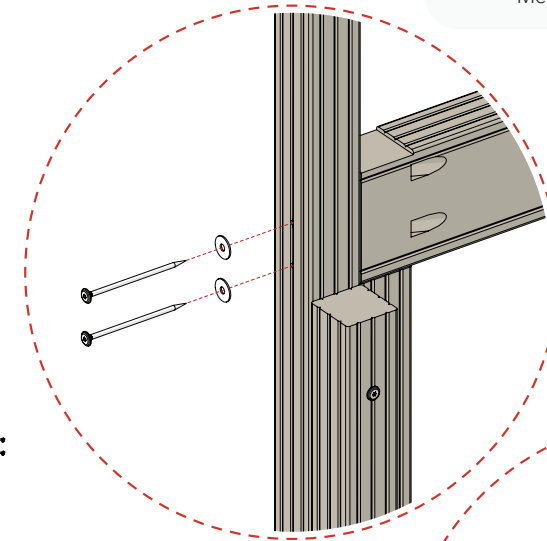
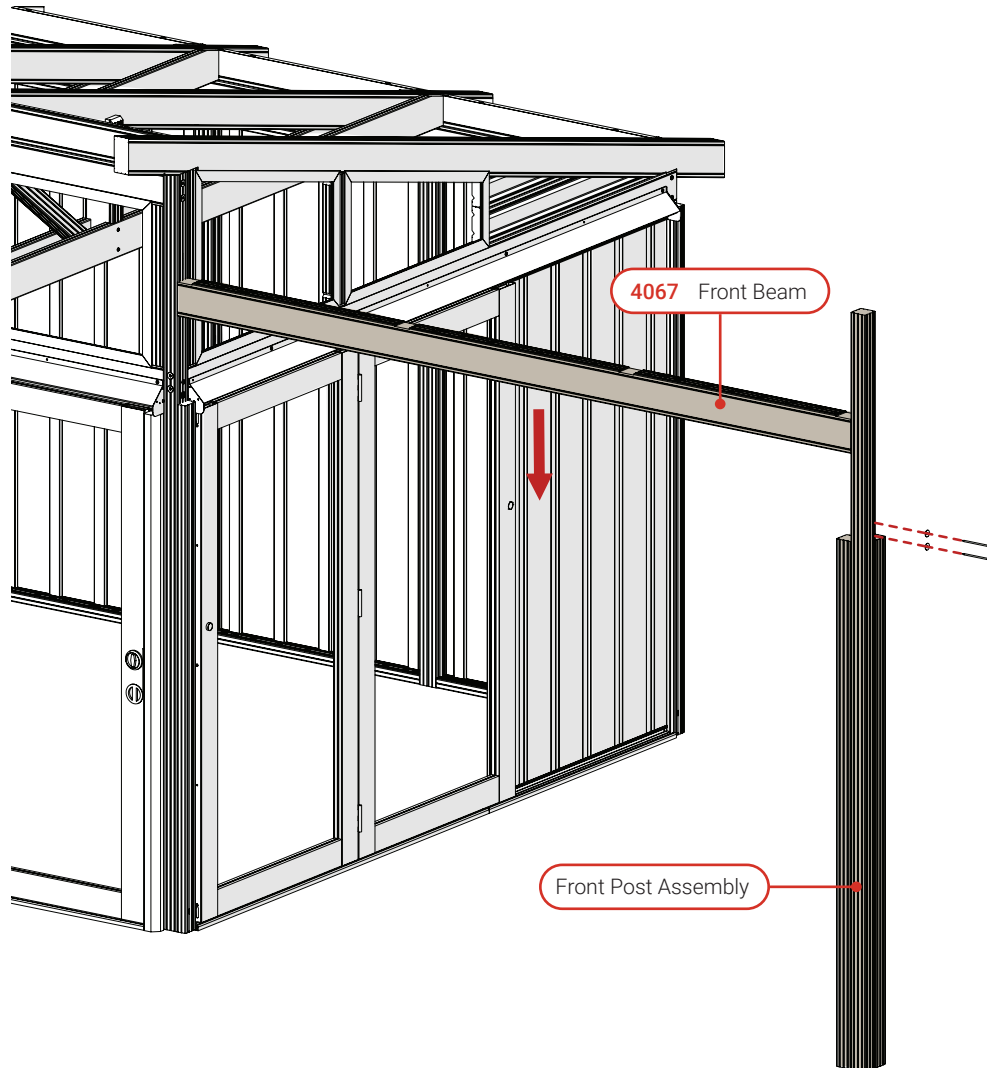
2X



Metal Washer



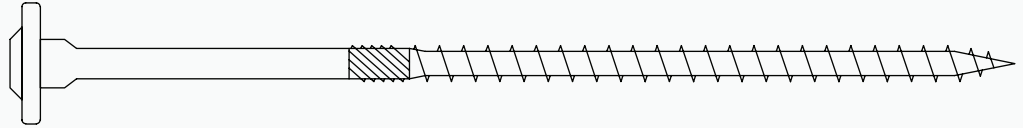
4067 Front Beam



Step 4

1) Place two Corner Braces (DC 4081) and fasten between Posts and Frame, orient as shown. *The mounting face of the Corner Braces must be tight to the Post and Frame.*

W

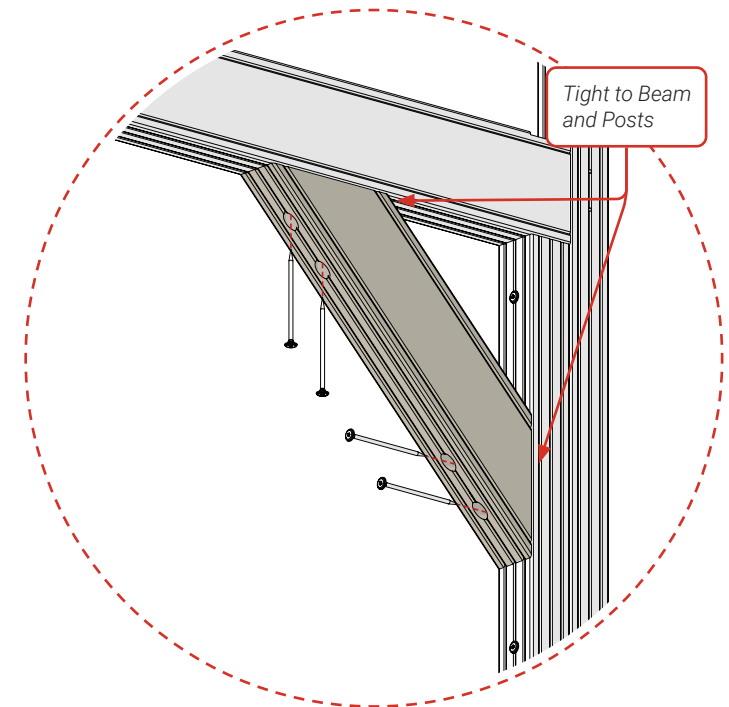
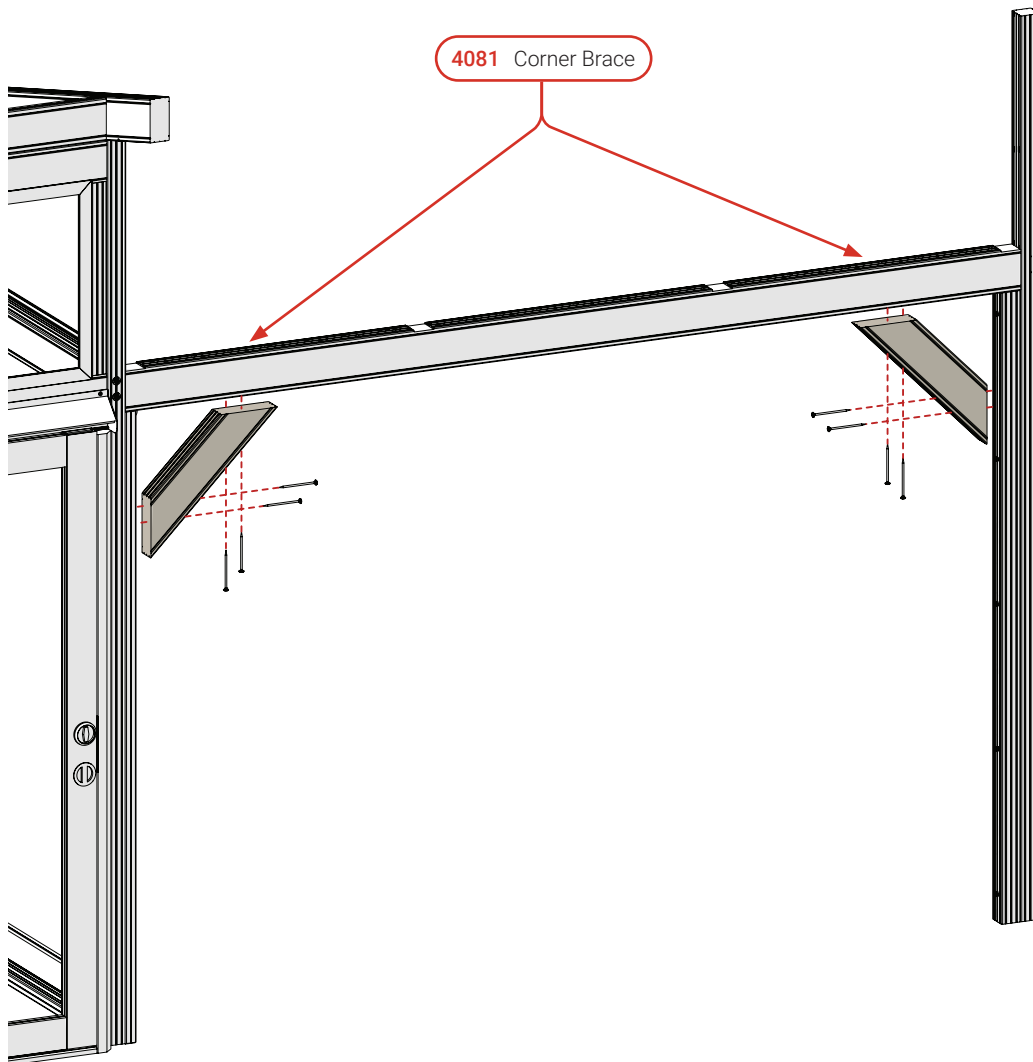


8X

5-1/8" X 5/16" RSS (T30 TORX)



4081 Corner Brace

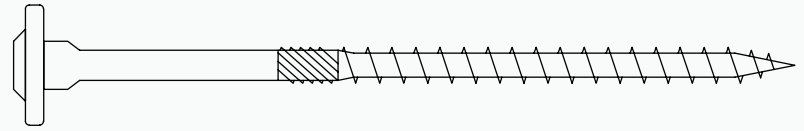


Step 5

1) Assemble two Back Post Assemblies (DC 5125 and DC 4087).
Posts are to be flush to the bottom. Reserve the Back Post Assemblies for the next steps.



10X



4" X 5/16" RSS (T30 TORX)

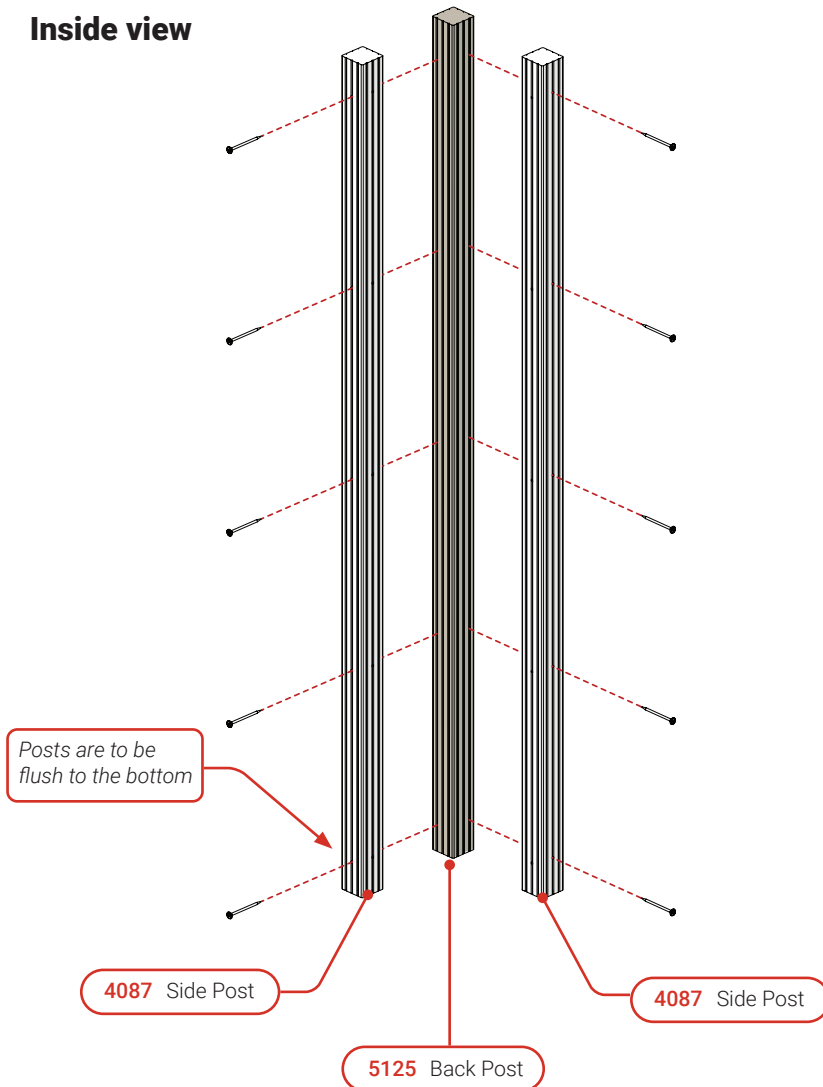


5125 Back Post

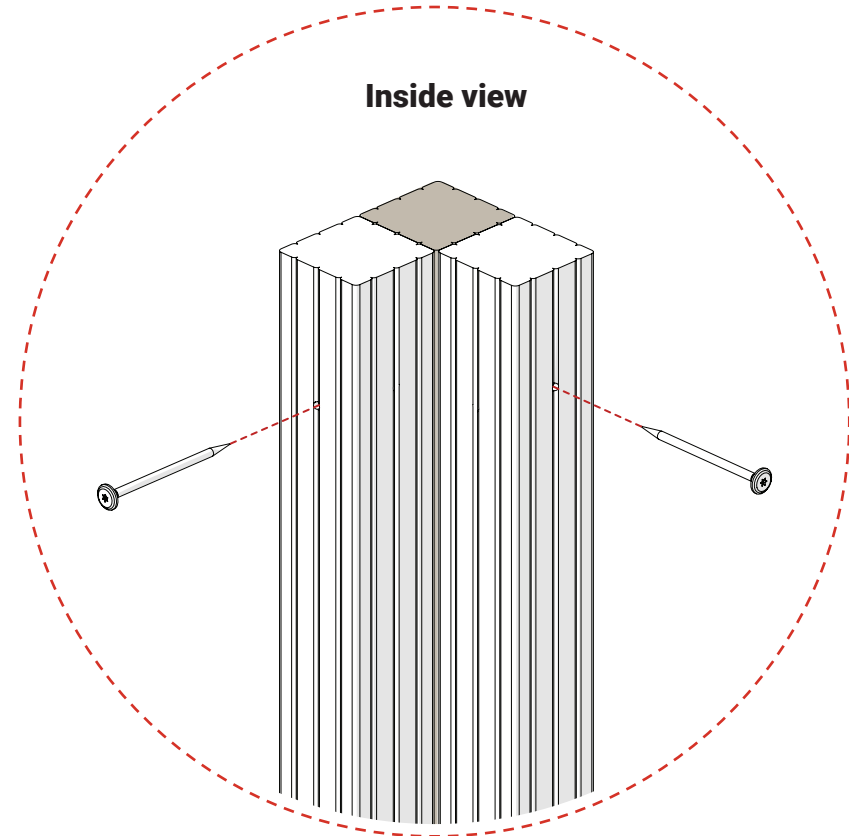


4087 Side Post (Pre-drilled)

Inside view



Inside view

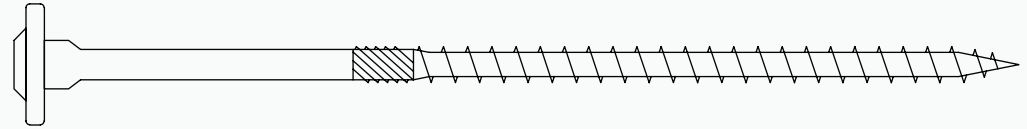


Step 6

- 1) Stand the Back Post Assembly upright with the Back Post (DC 5125) to the outside corner.
- 2) Place the Beam (DC 4068) on the Narrow Post and Back Post Assembly as shown with the notches to the inside of the structure.
- 3) Fasten through the notches and pre-drilled hole. Use the Torx T30 6" Bit to reach full depth.

W

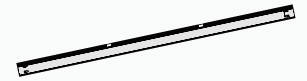
3X



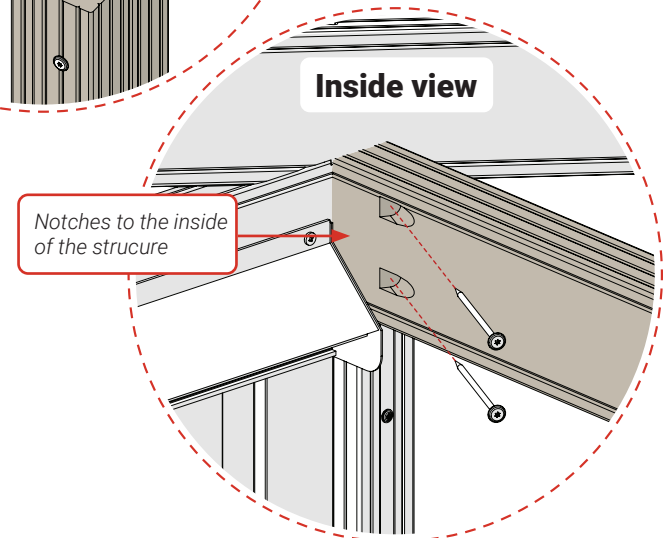
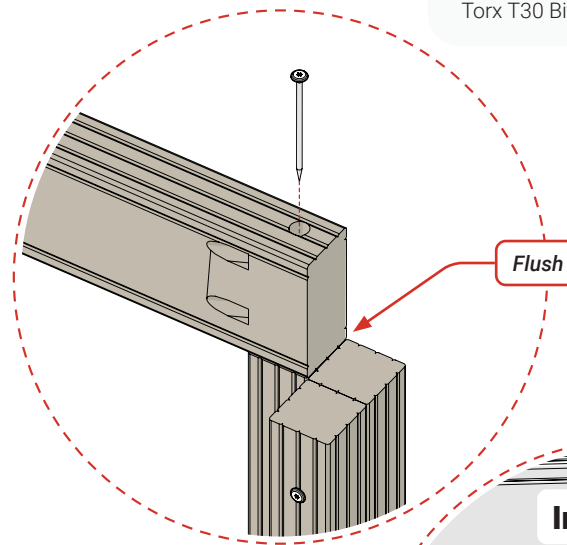
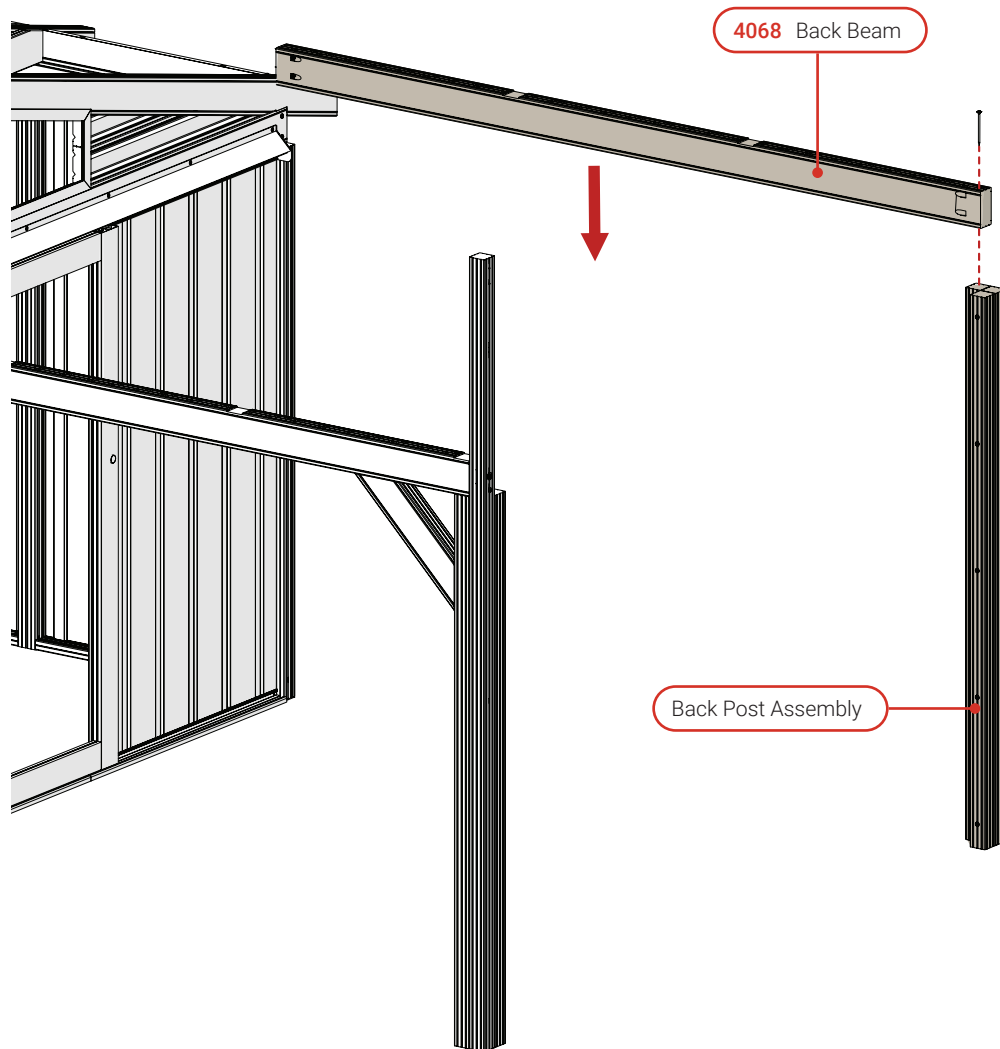
5-1/8" X 5/16" RSS (T30 TORX)



Torx T30 Bit 6"



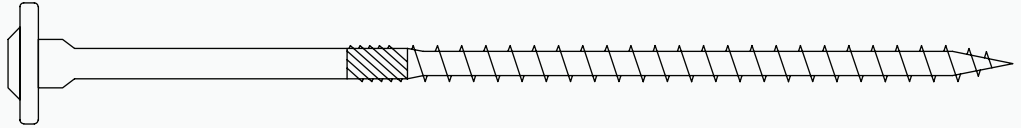
4068 Back Beam



Step 7

1) Place two Corner Braces (DC 4081) and fasten between Posts and Frame, orient as shown. *The mounting face of the Corner Braces must be tight to the Post and Frame.*

W

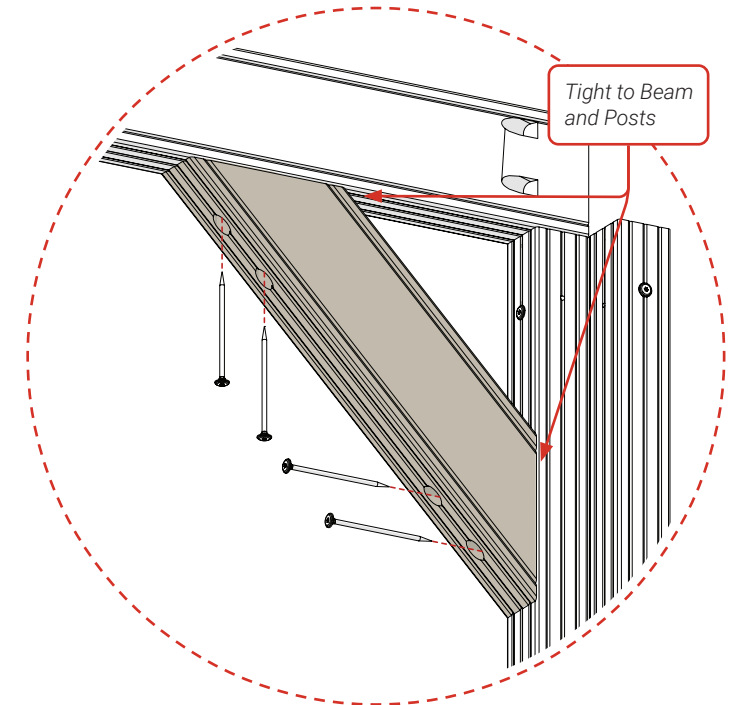
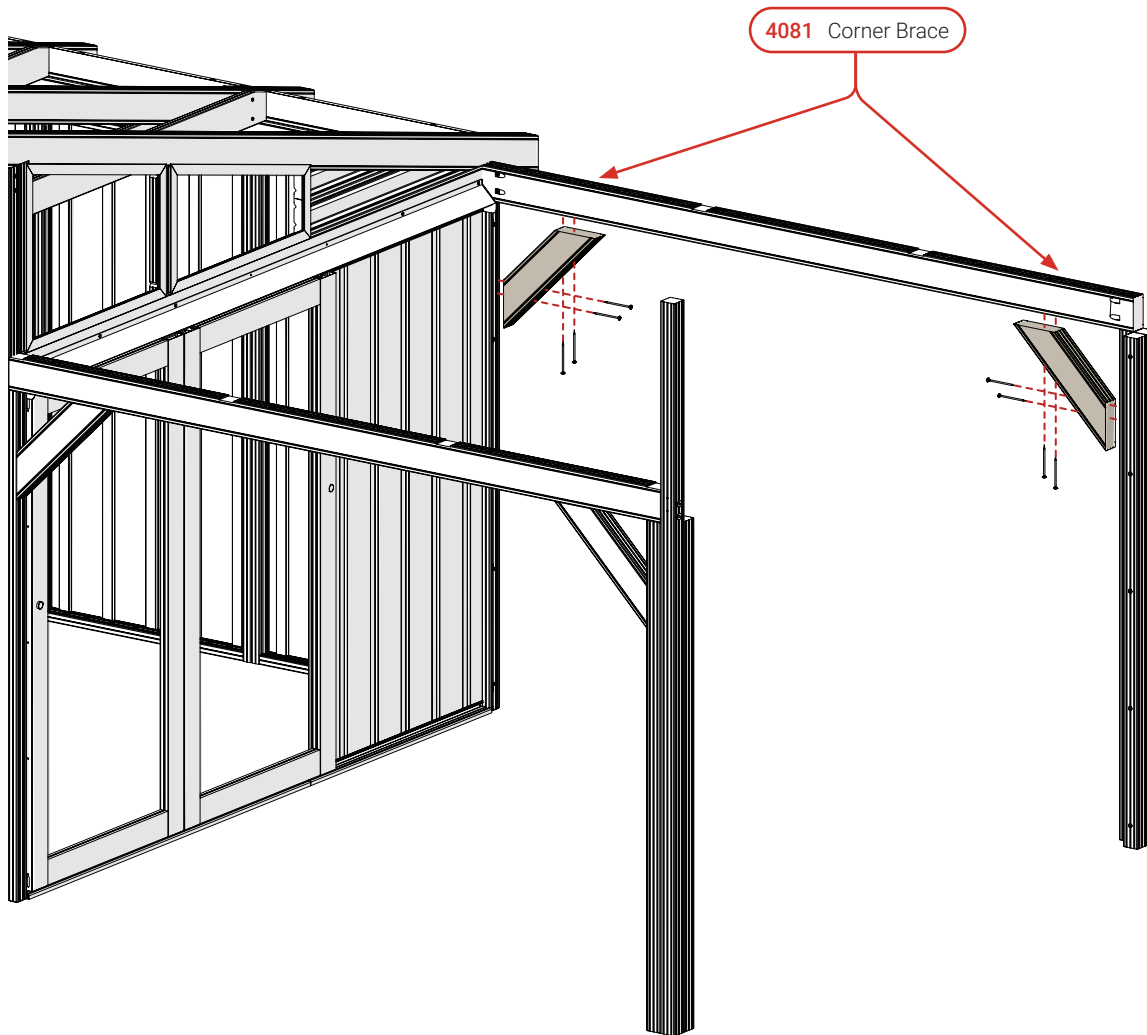


8X

5-1/8" X 5/16" RSS (T30 TORX)



4081 Corner Brace

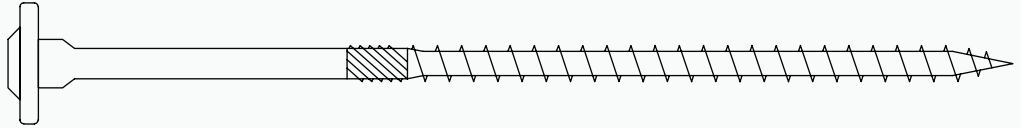


Step 8

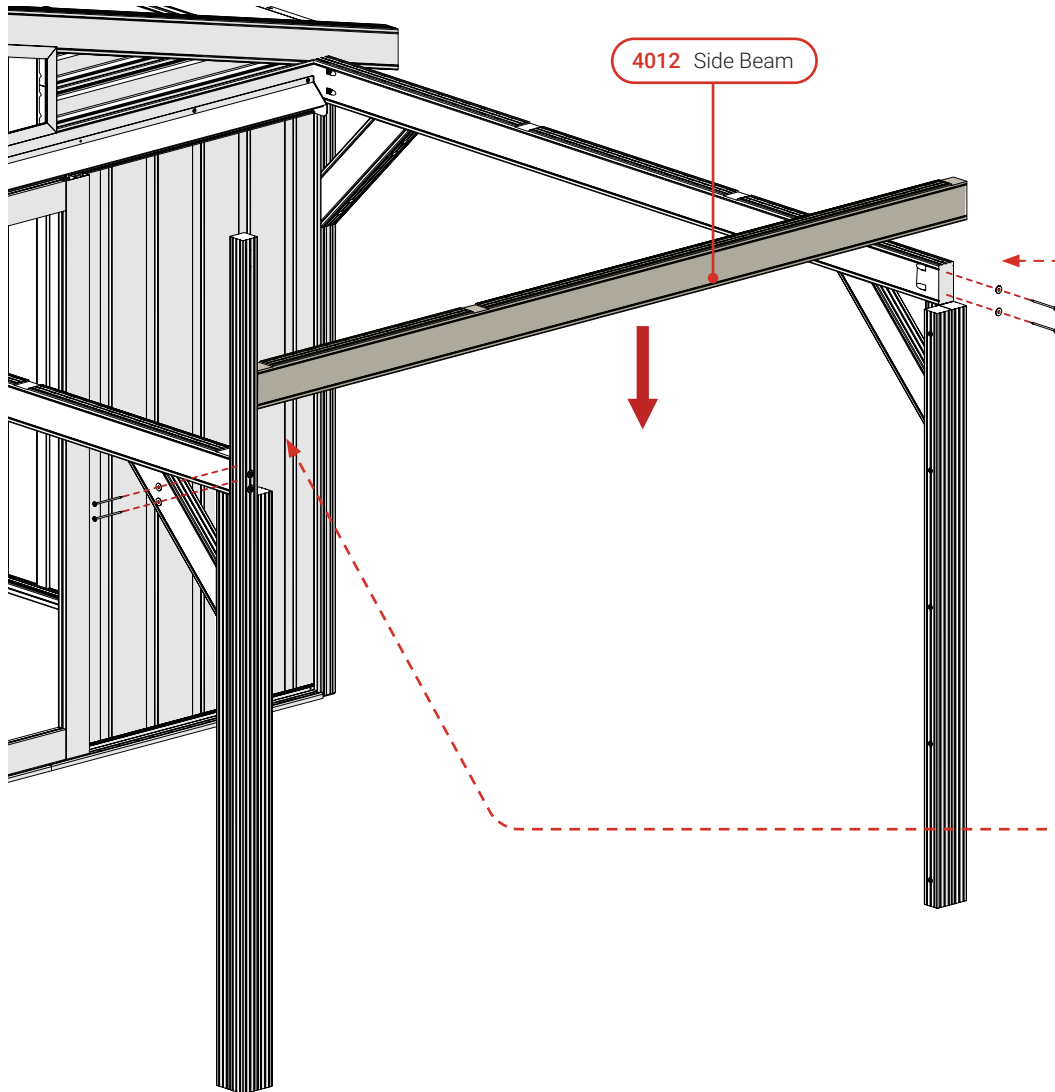
- 1) Place the Side Beam (DC 4012) on the Front and Back Post Assemblies.
- 2) Fasten through the pre-drilled holes.



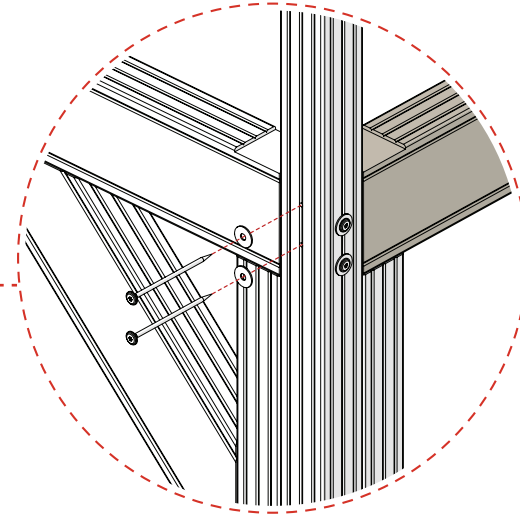
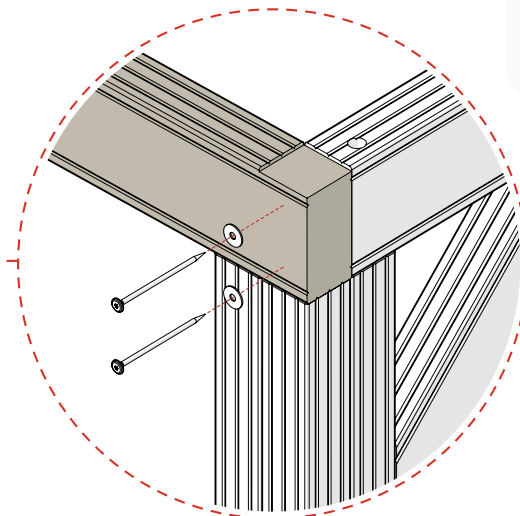
4X



5-1/8" X 5/16" RSS (T30 TORX)



4012 Side Beam



4012 Side Beam



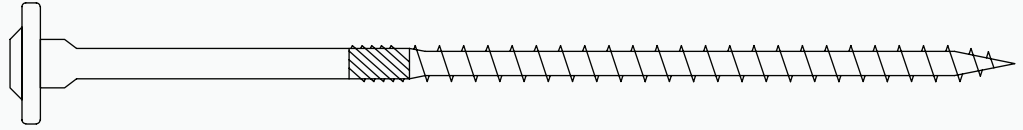
4X

Metal Washer

Step 9

1) Place two Corner Braces (DC 4081) and fasten between Posts and Frame, orient as shown. *The mounting face of the Corner Braces must be tight to the Post and Frame.*

W

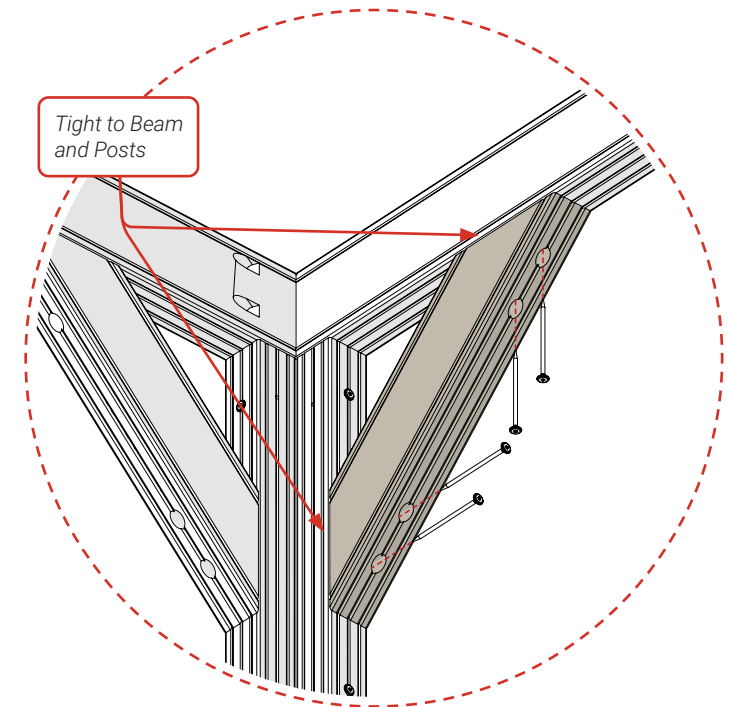
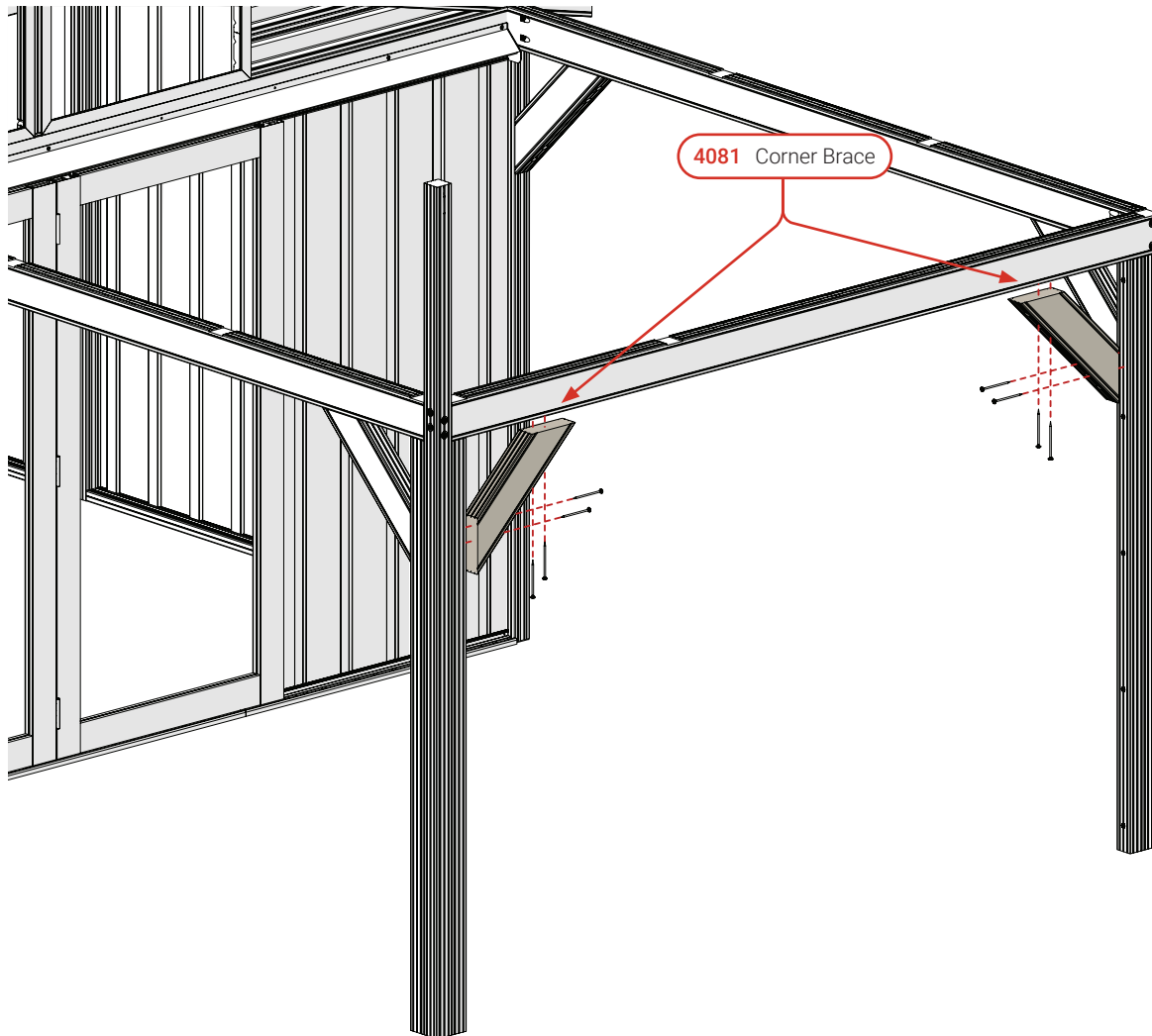


8X

5-1/8" X 5/16" RSS (T30 TORX)

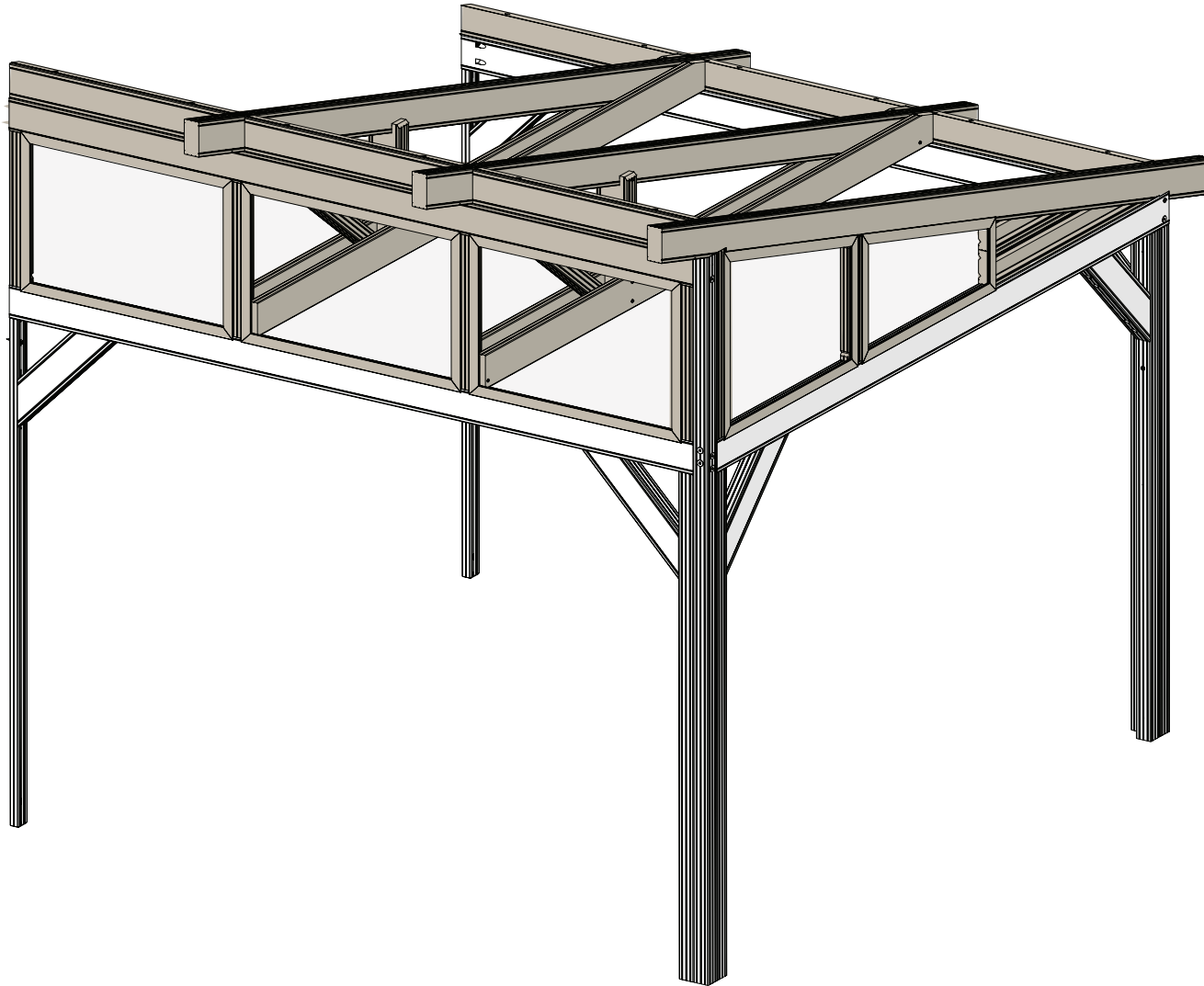


4081 Corner Brace



Phase B

B Roofing Structure & Upper Window



Step 10

- 1) Place the Front Uprights (DC 4018 and DC 4019) as shown using the notches in the Beam to position.
- 2) Fasten the Uprights through the notched surface in the Upright into the Beam.



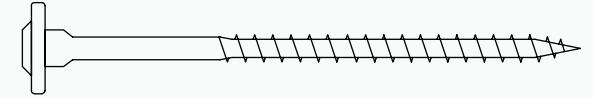
4019 Front Middle Upright



4018 Front End Upright

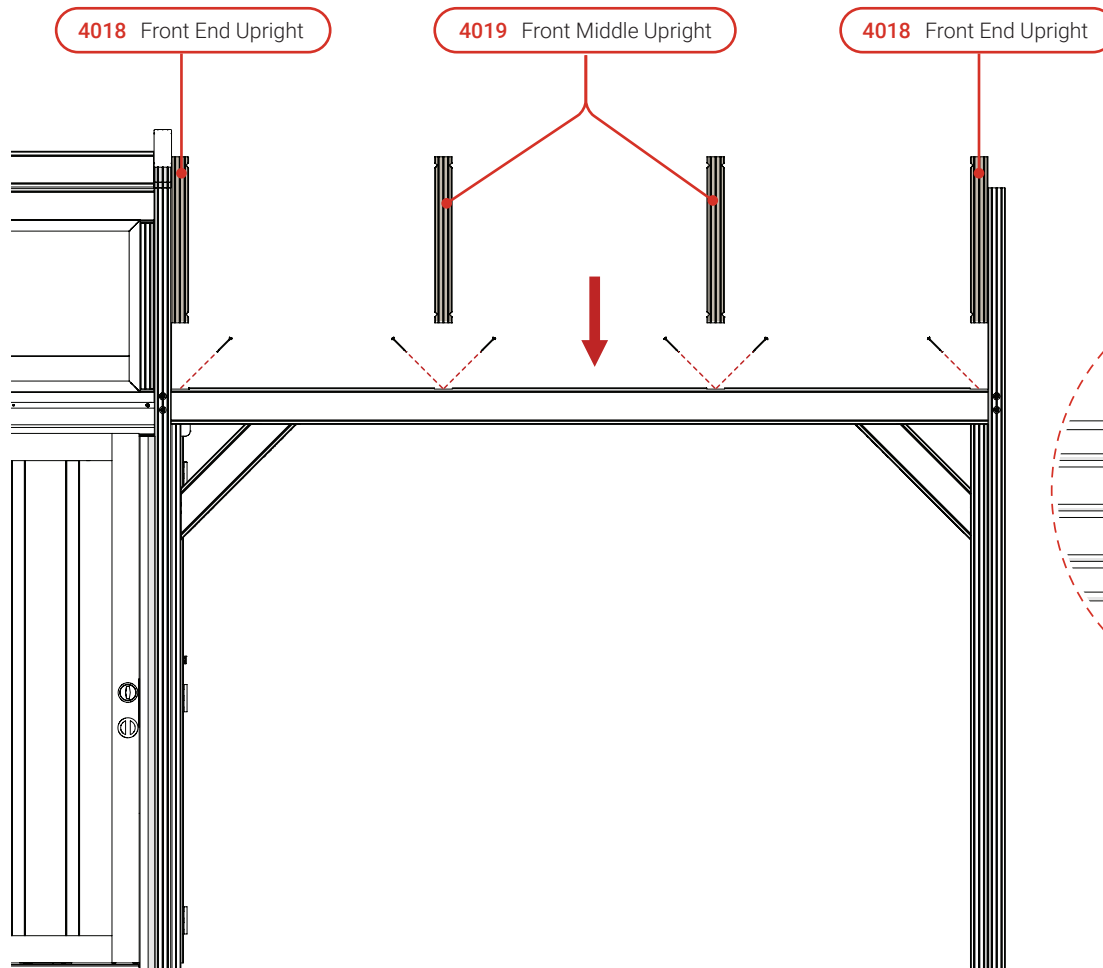


6X

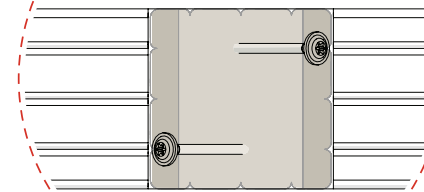


2 3/4" #10 RSS (T25 TORX)

Front view



Top view



Notch on Beam

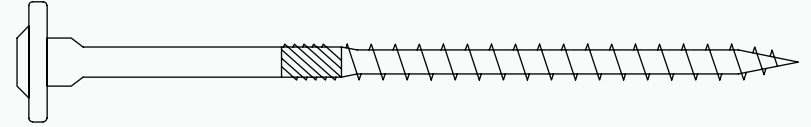
Notch on Beam

Step 11

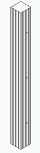
- 1) Align Uprights with notches found on Beams.
- 2) Fasten Side End Uprights (DC 4020) to Front Posts.



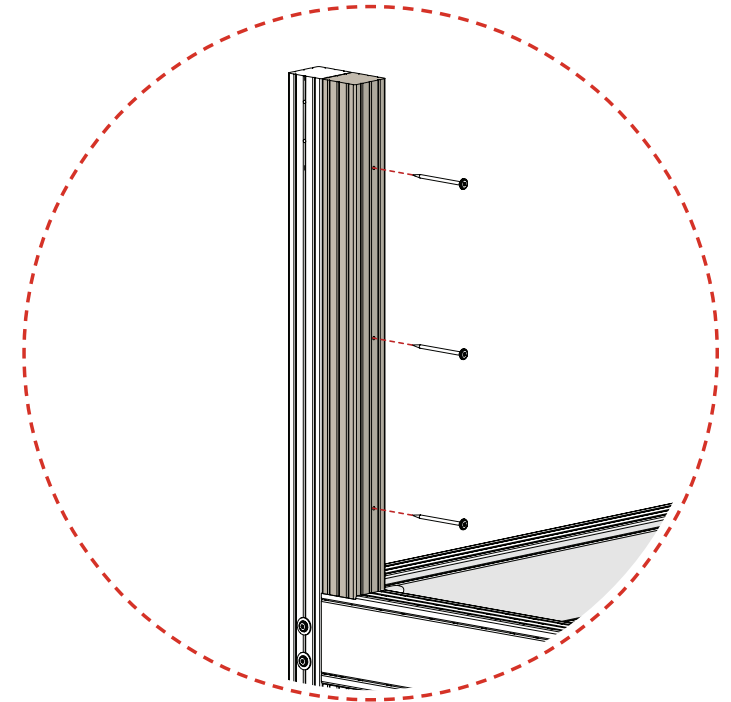
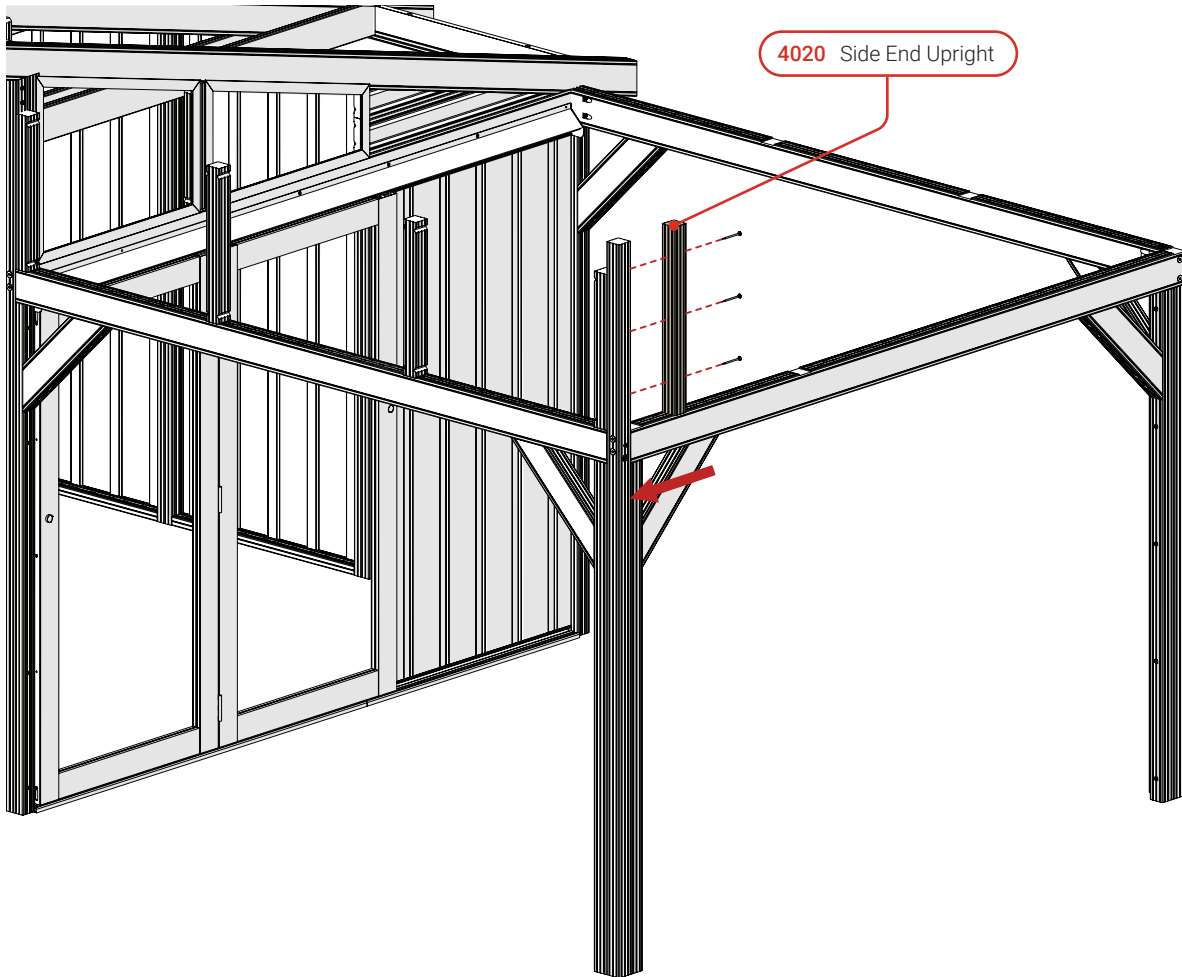
3X



4" X 5/16" RSS (T30 TORX)



4020 Side End Upright



Step 12

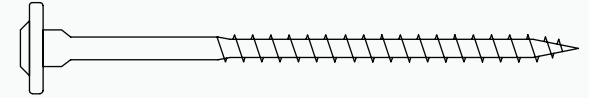
- 1) Fasten Side Middle Uprights (DC 4021) To Side Beams.
- 2) Align Uprights with notches found on Beam.



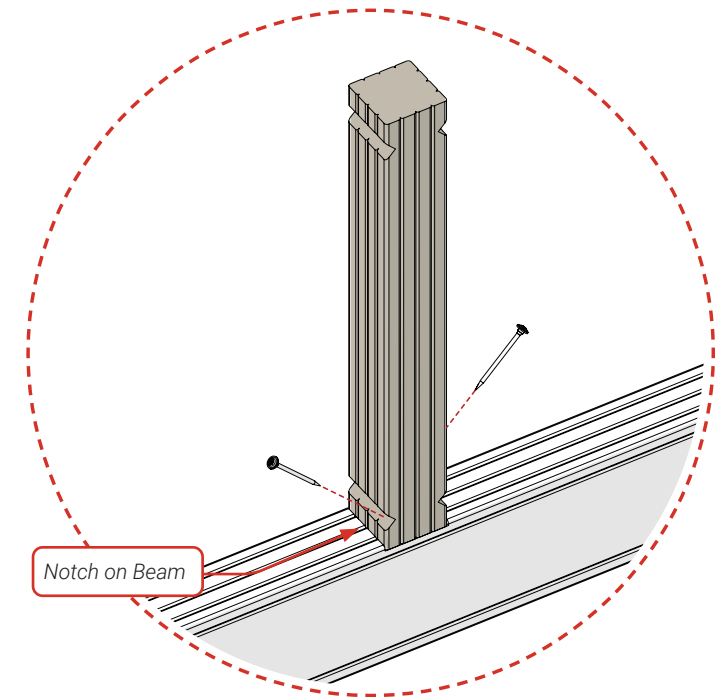
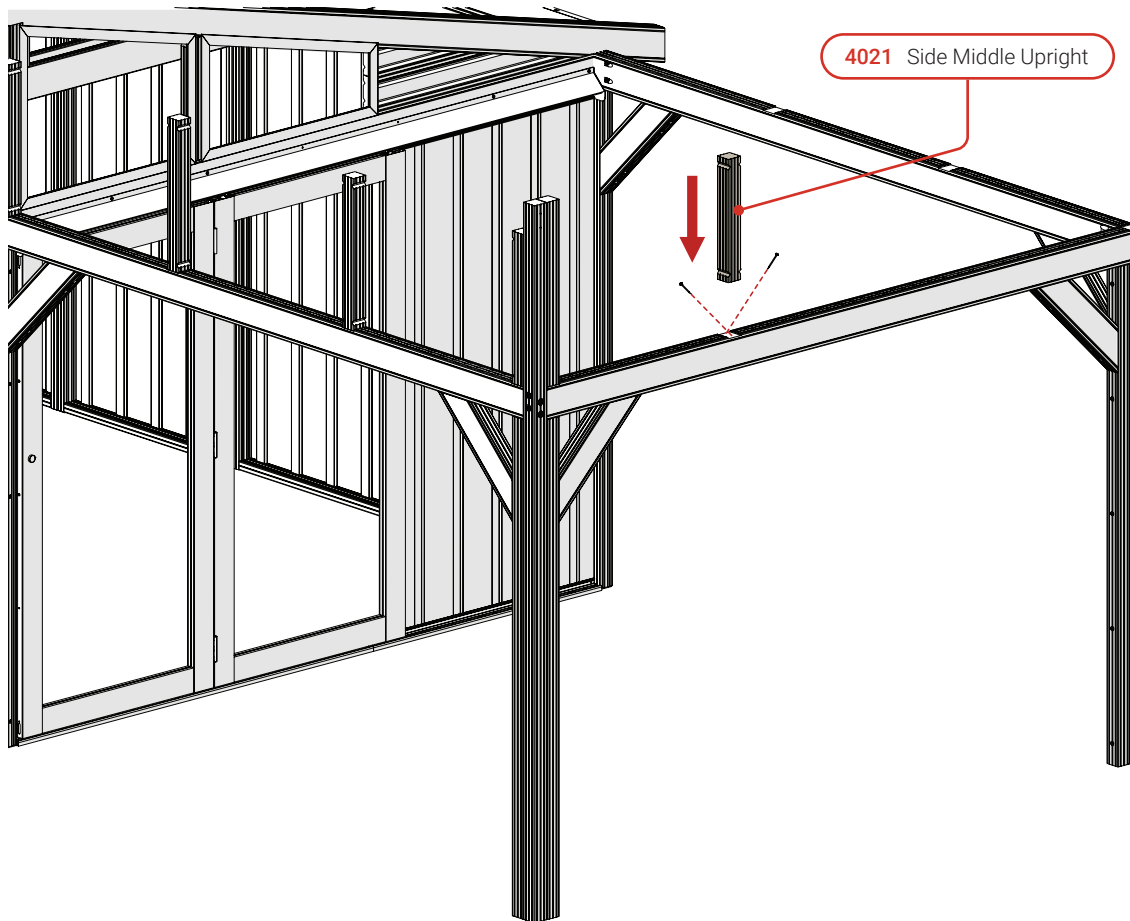
4021 Side Middle Upright



2X



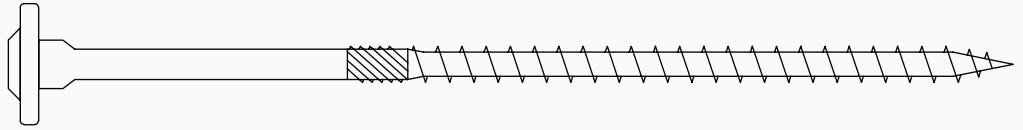
2 3/4" #10 RSS (T25 TORX)



Step 13

1) Fasten Upper Front Beam (DC 4067) to Posts.
Fit Uprights into notches on Beam.

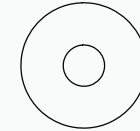
W



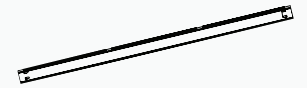
4X

5-1/8" X 5/16" RSS (T30 TORX)

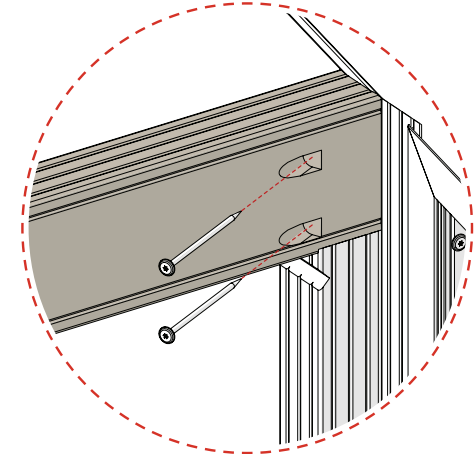
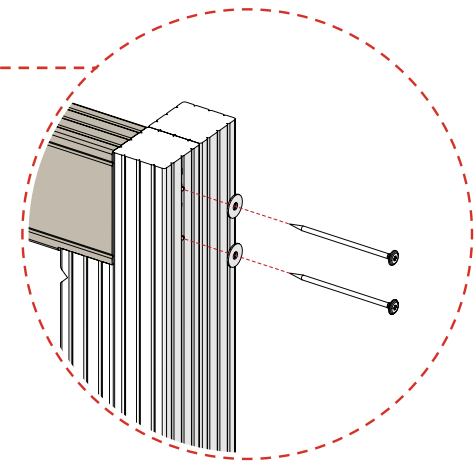
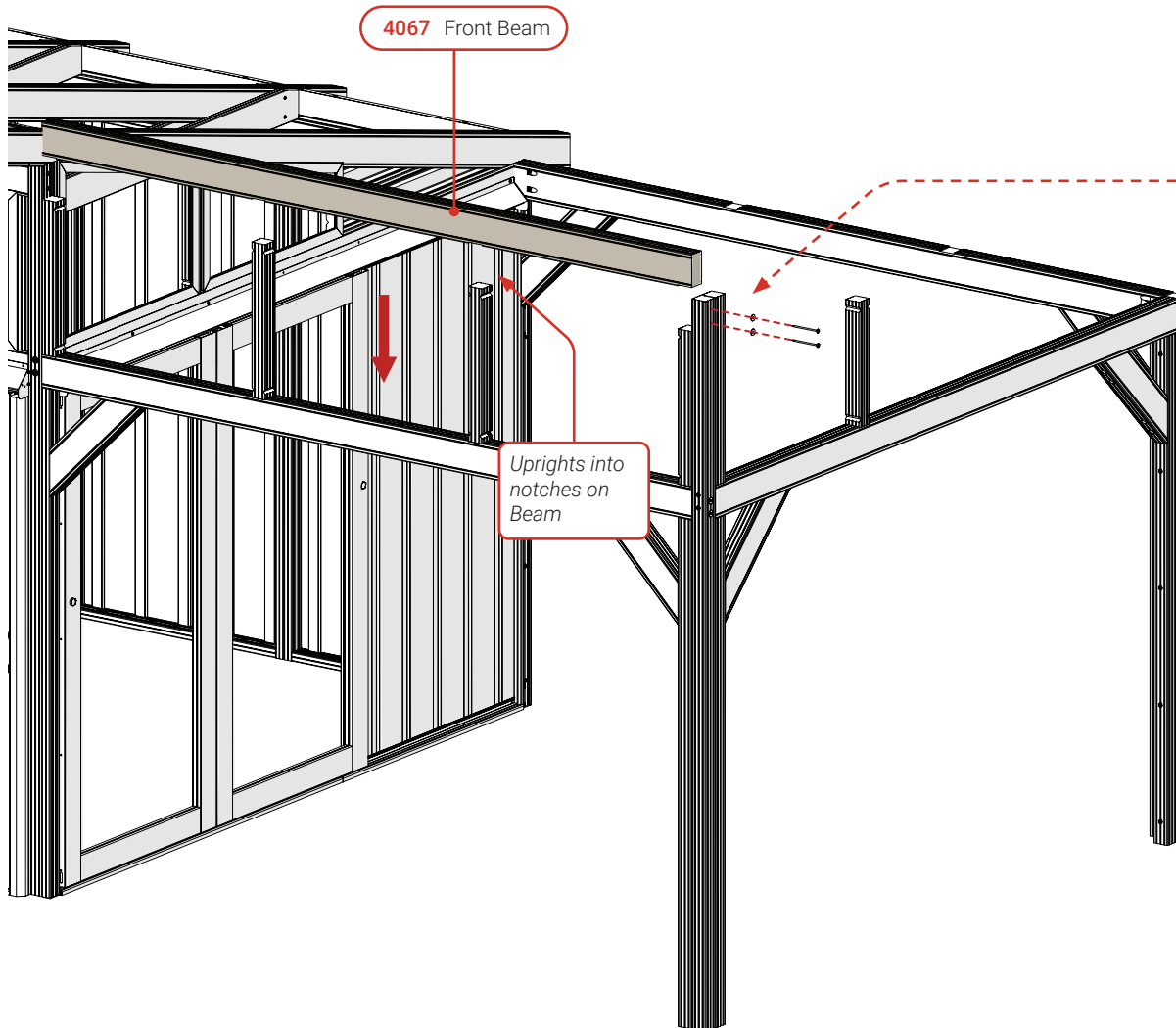
2X



Metal Washer



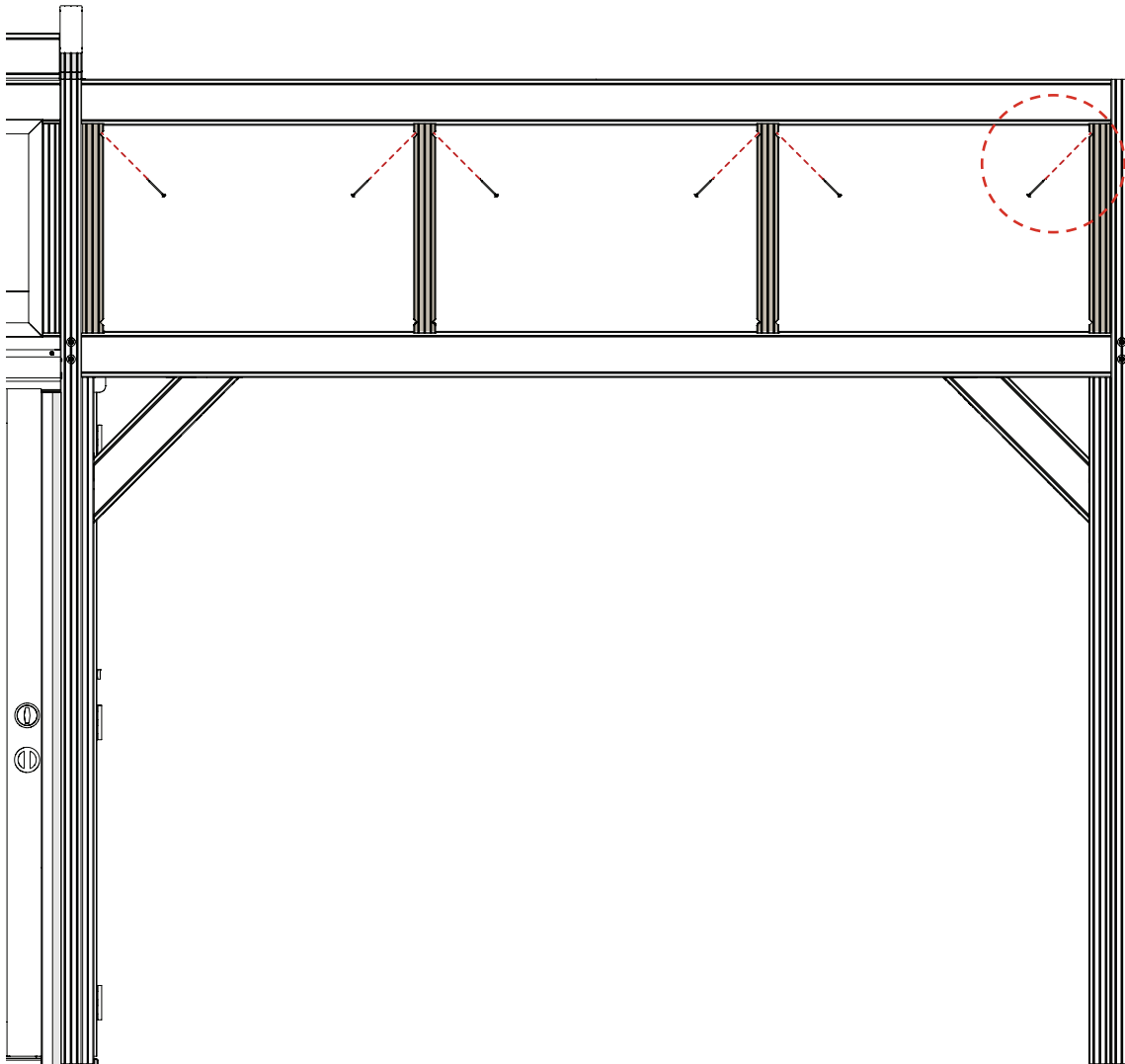
4067 Front Beam



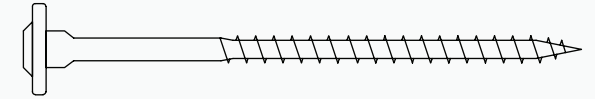
Step 14

1) Fasten the Front Uprights (DC 4018 and DC 4019) to the Upper Front Beam.

Front view

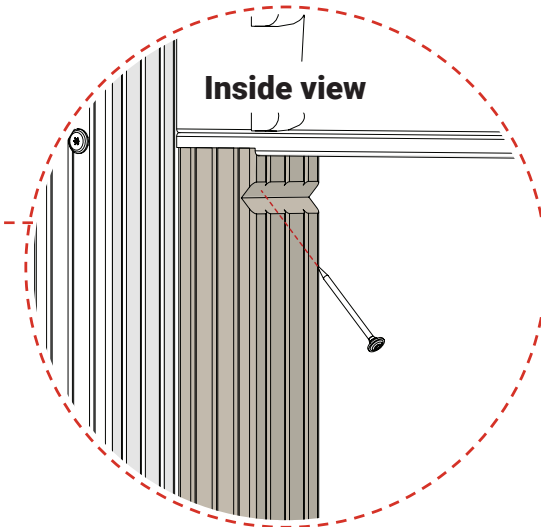


U

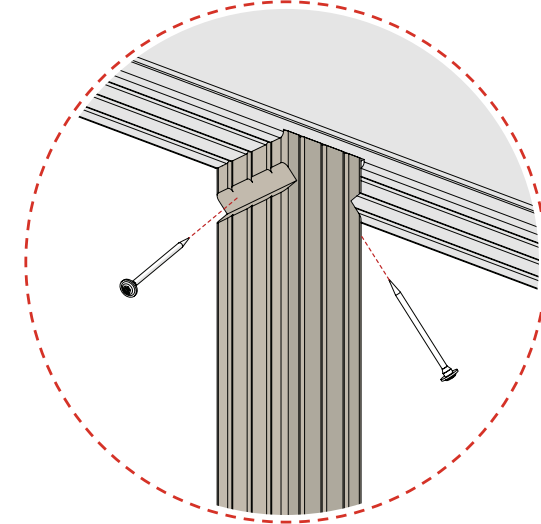


6X

2 3/4" #10 RSS (T25 TORX)



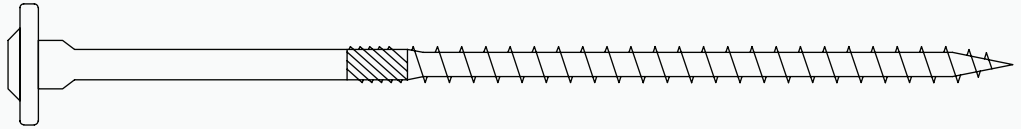
Inside view



Step 15

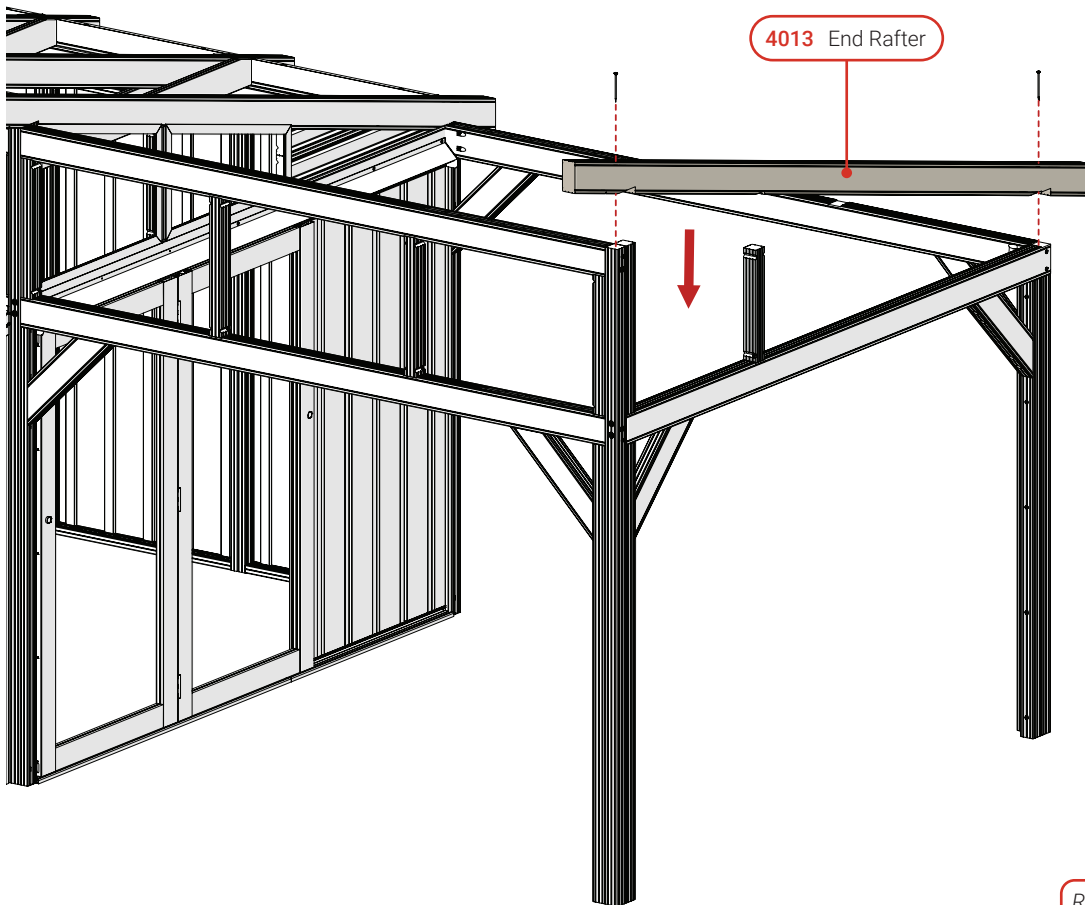
1) Fit Rafter (DC 4013) and fasten to the Front and Back Posts. The Rafter notches must fit to the Posts. Use the Torx T30 6" Bit to reach full depth.

W

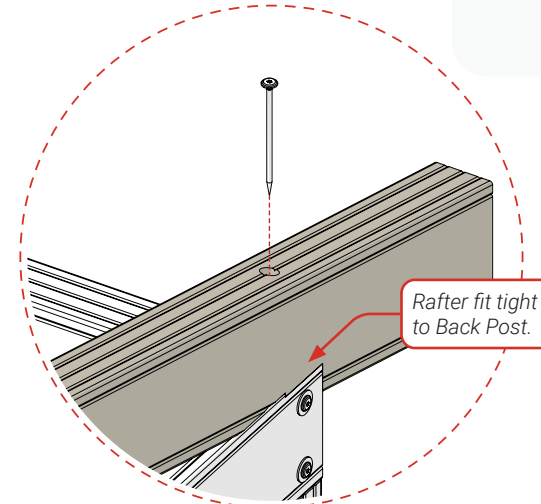


2X

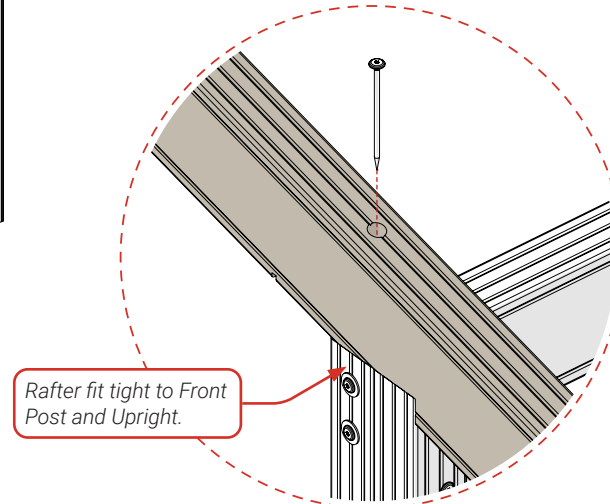
5-1/8" X 5/16" RSS (T30 TORX)



4013 End Rafter



Rafter fit tight to Back Post.



Rafter fit tight to Front Post and Upright.



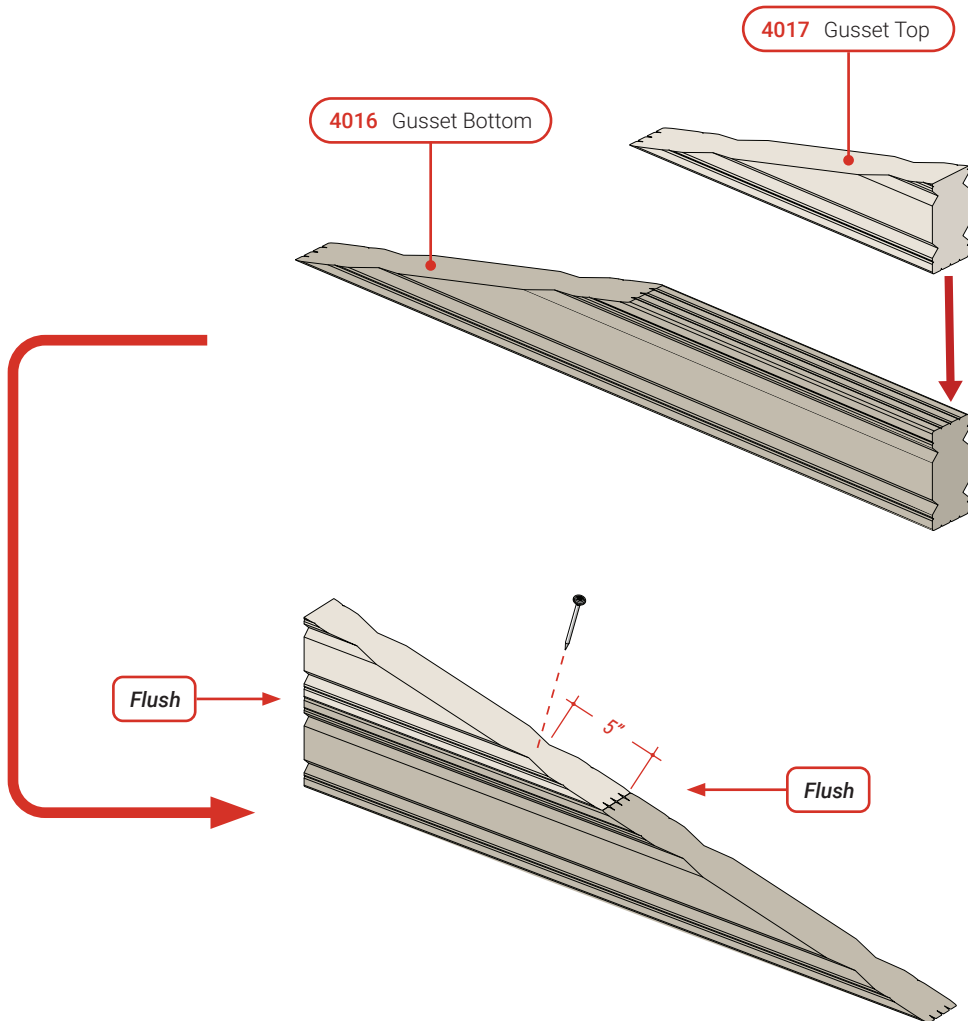
4013 End Rafter



Torx T30 Bit 6"

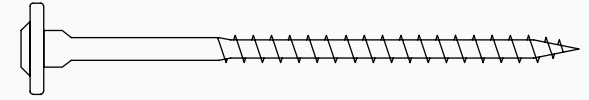
Step 16

- 1) Fit two Gusset Components (DC 4017 and DC 4016) to make a Gusset Assembly.
- 2) Fasten together with one screw through the top face. Drive the screw deep enough so the screw head is buried entirely.



U

1X



2 3/4" #10 RSS (T25 TORX)



4017 Gusset Top



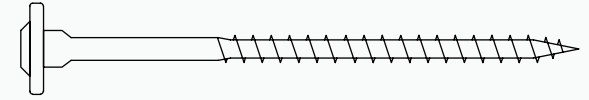
4016 Gusset Bottom

Side view

Screw driven deep enough that head is buried entirely

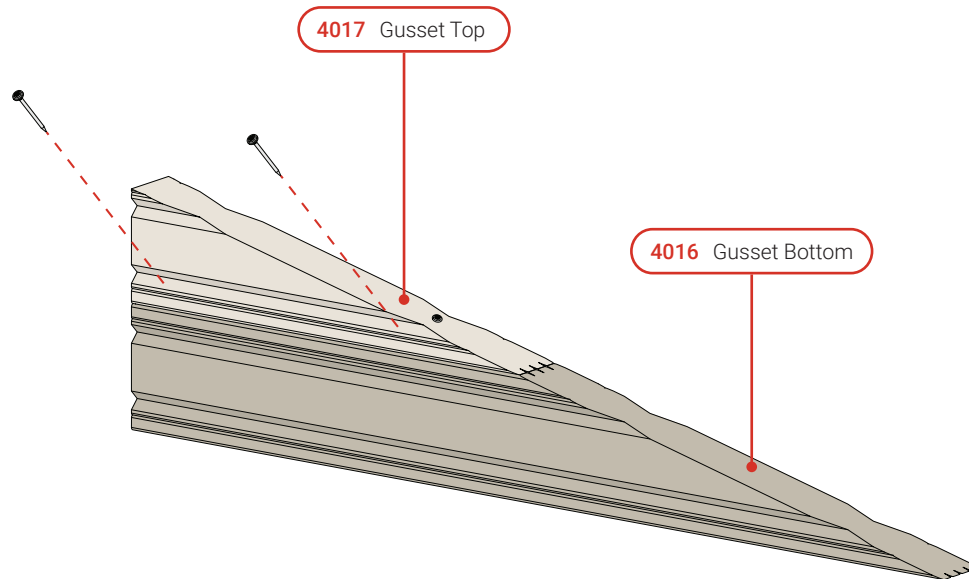
Step 17

1) Fasten Gusset Components further by adding two screws that will face the inside of the structure. *Serial number tag should also face the inside of the structure when assembled.*



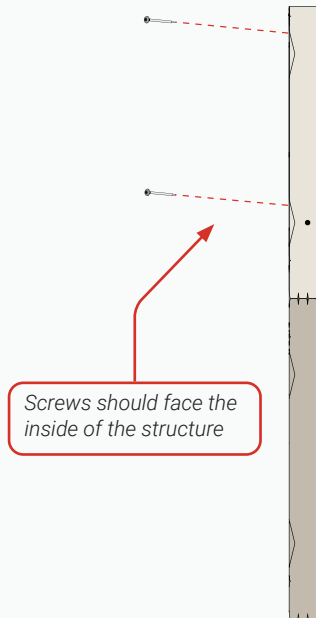
2X

2 3/4" #10 RSS (T25 TORX)



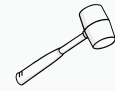
Top view

Side view



Step 18

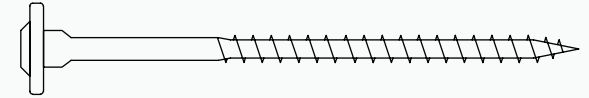
- 1) Fasten the Side Middle Upright (DC 4021) to Rafter.
- 2) Fit Gusset Assembly and fasten to Rafters as shown. *If necessary, use Rubber Mallet to push the Gusset to the back.*



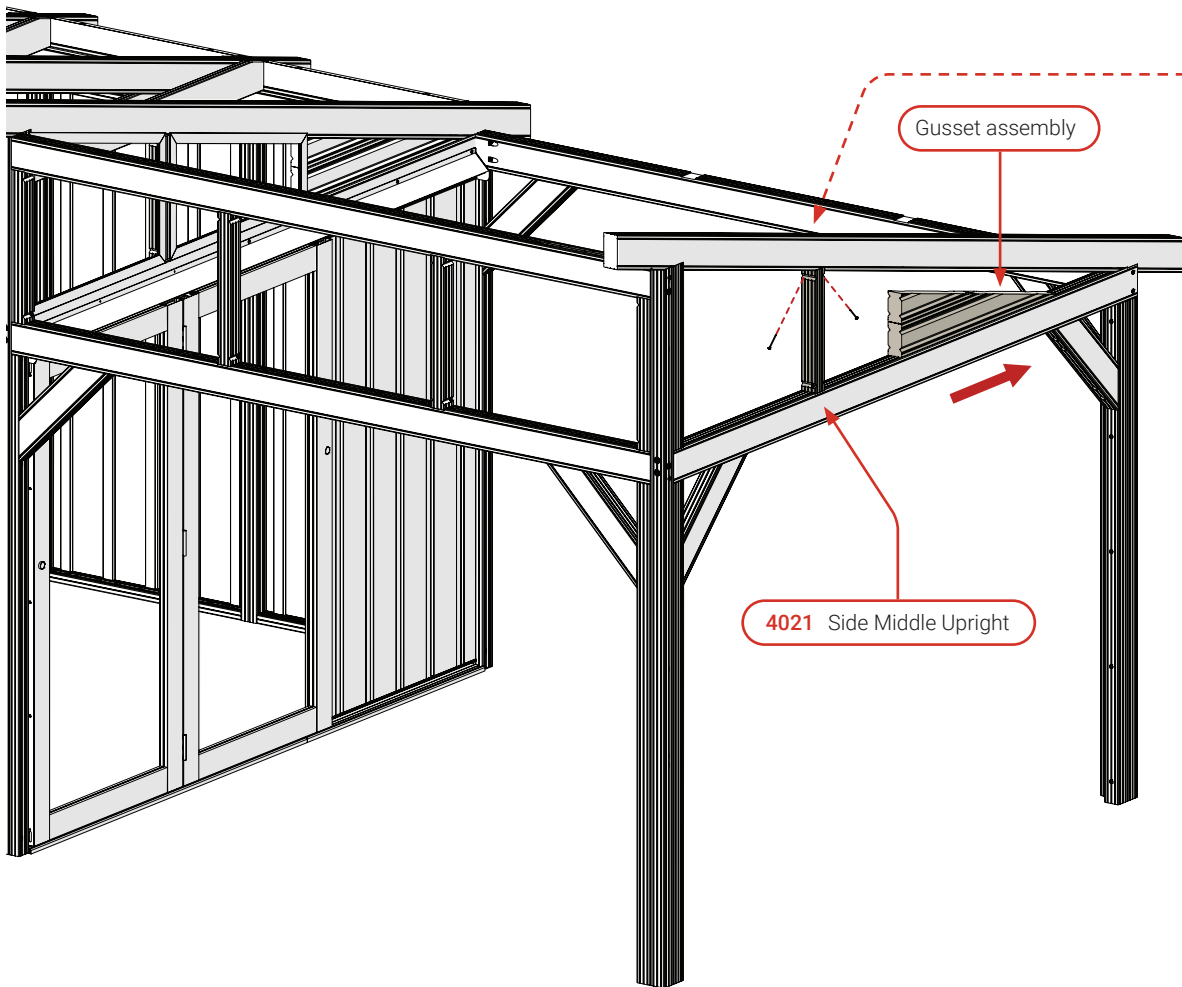
Rubber Mallet



7X

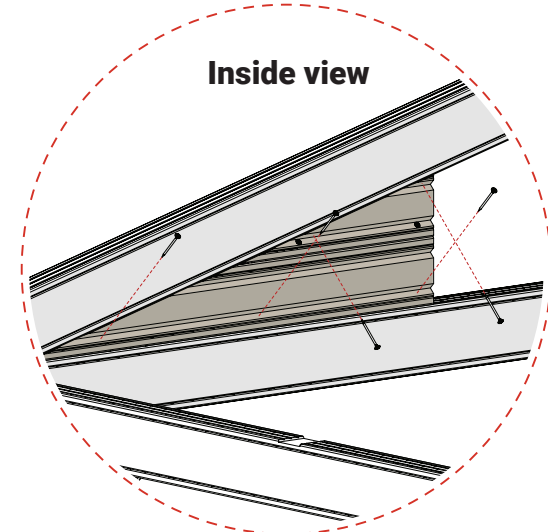
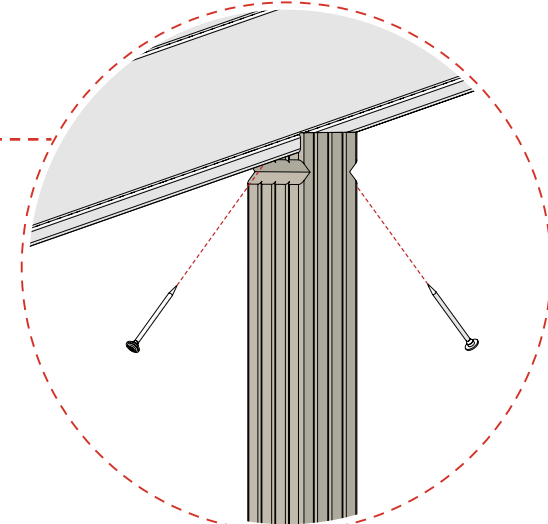


2 3/4" #10 RSS (T25 TORX)



Gusset assembly

4021 Side Middle Upright



Inside view

Step 19

1) Fit Front Windows (DC 2581 and DC 2582) and fasten to Beams and Uprights at the locations identified in diagram.



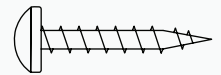
2581 Window



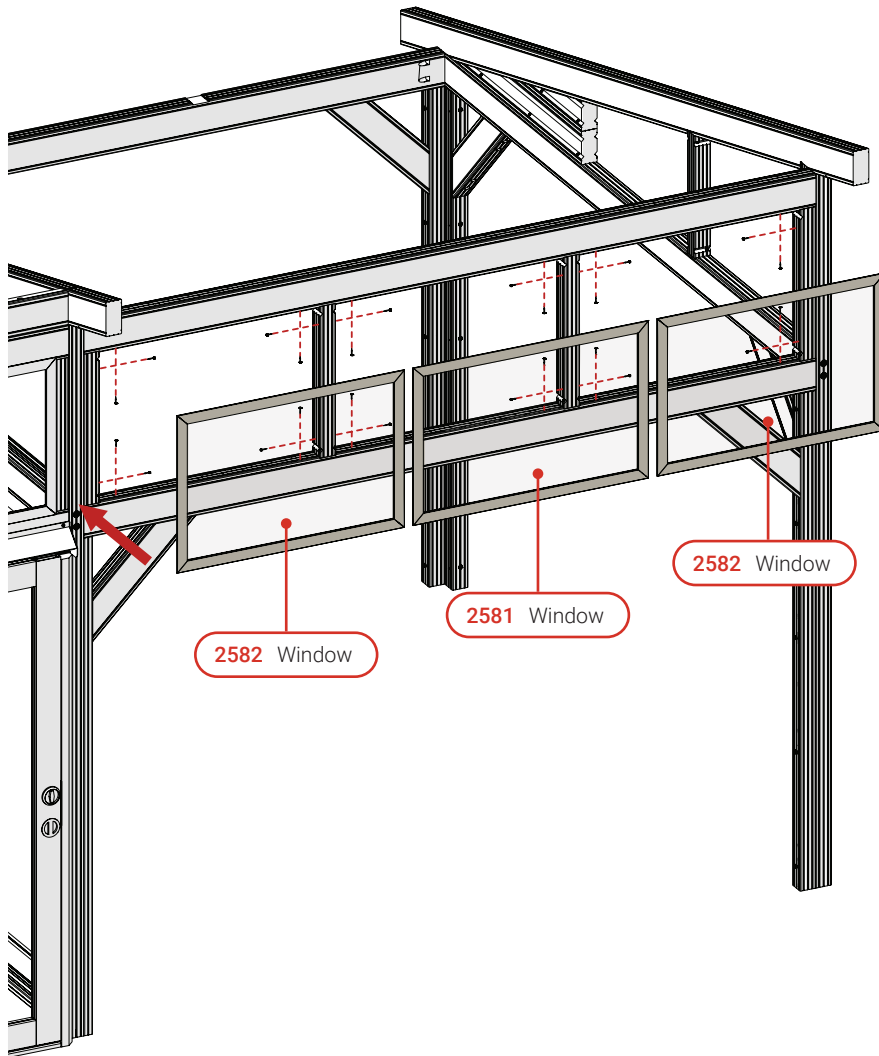
2582 Window



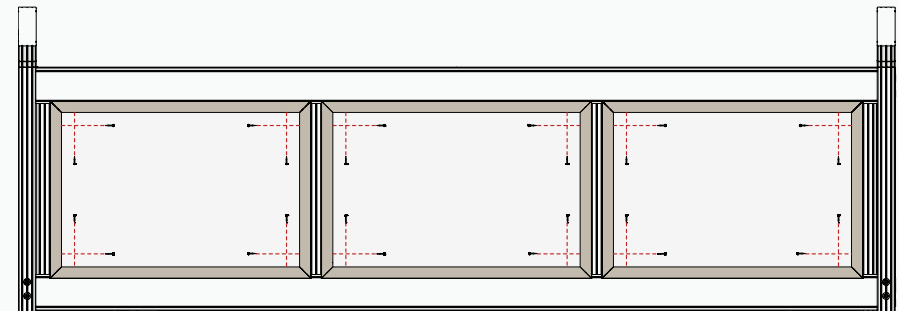
24X



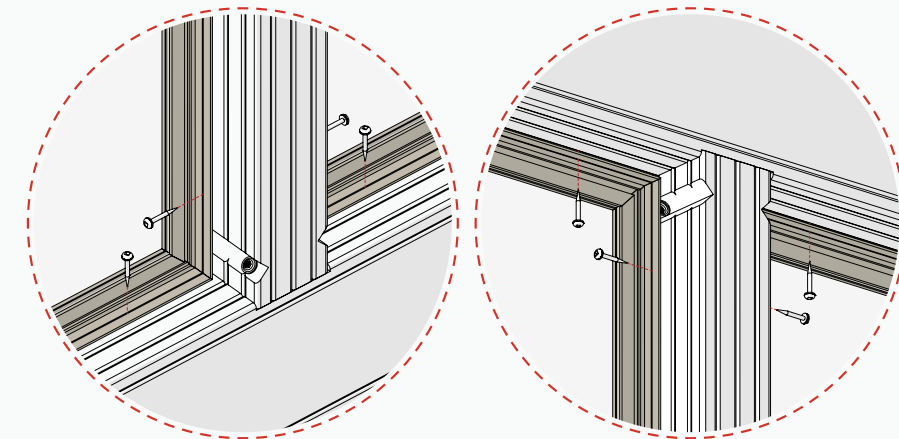
1" #8 PAN HEAD
(#2 ROBERTSON)



Front view

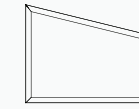
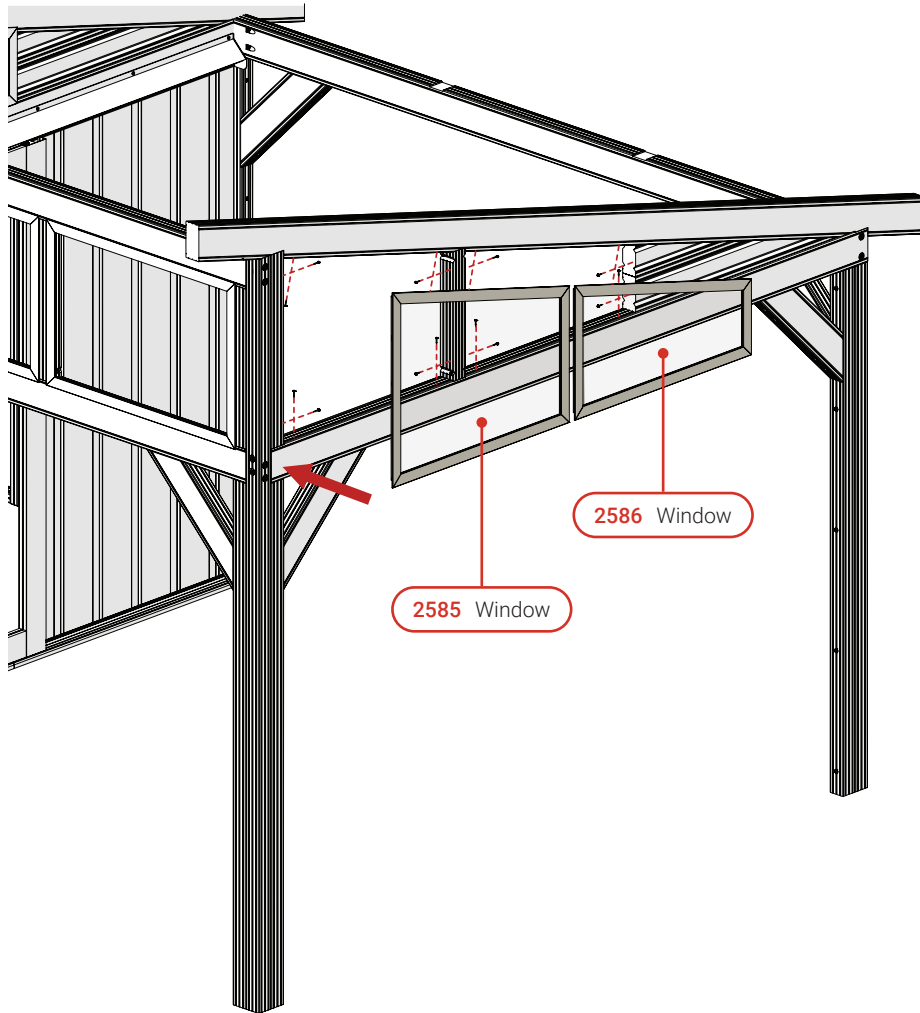


Inside view



Step 20

1) Fit the Side Windows (DC 2585 and DC 2586) and Fasten to Beams, Upright and Gusset Assembly at the locations identified in diagram.



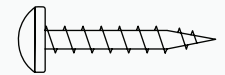
2585 Window



2586 Window

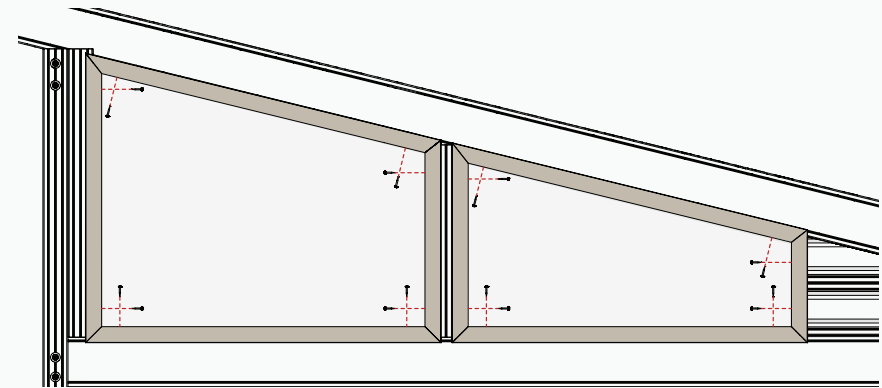


16X

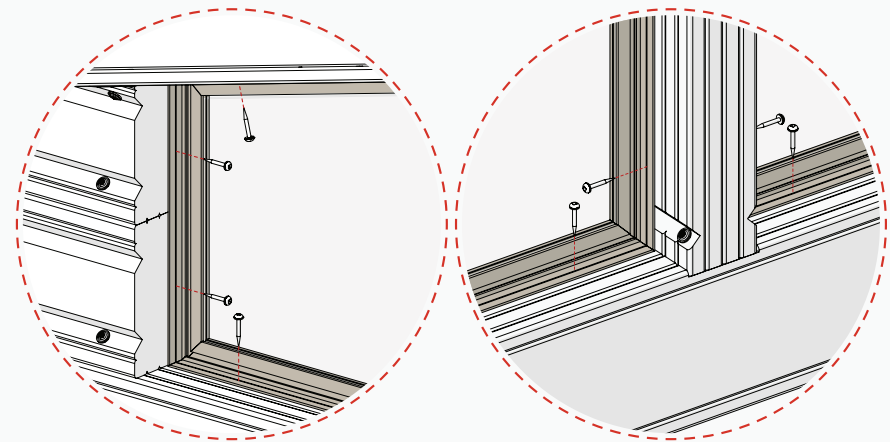


1" #8 PAN HEAD
(#2 ROBERTSON)

Side view

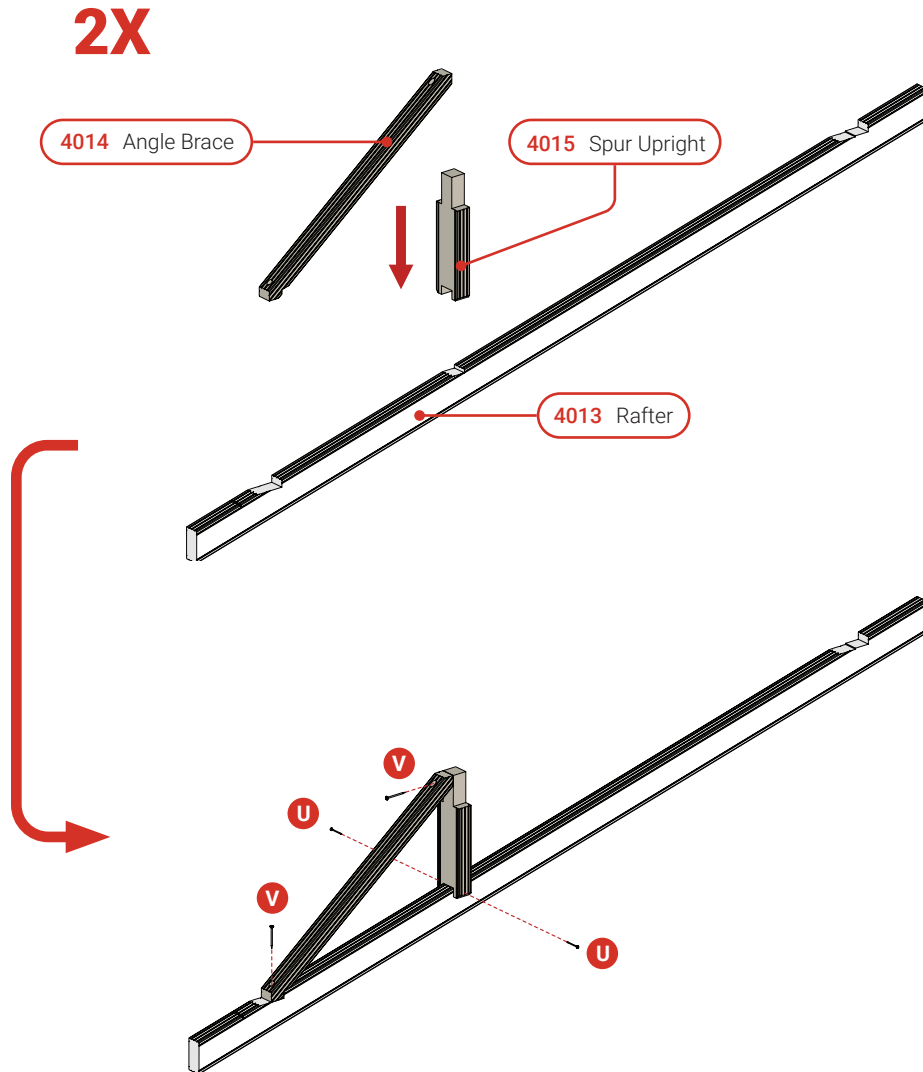


Inside view

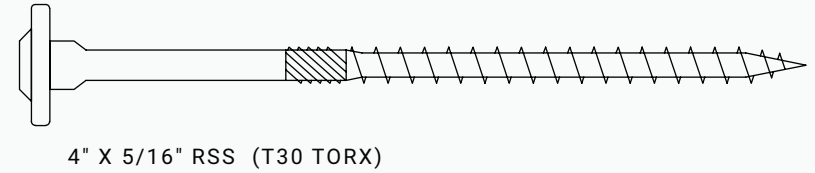


Step 21

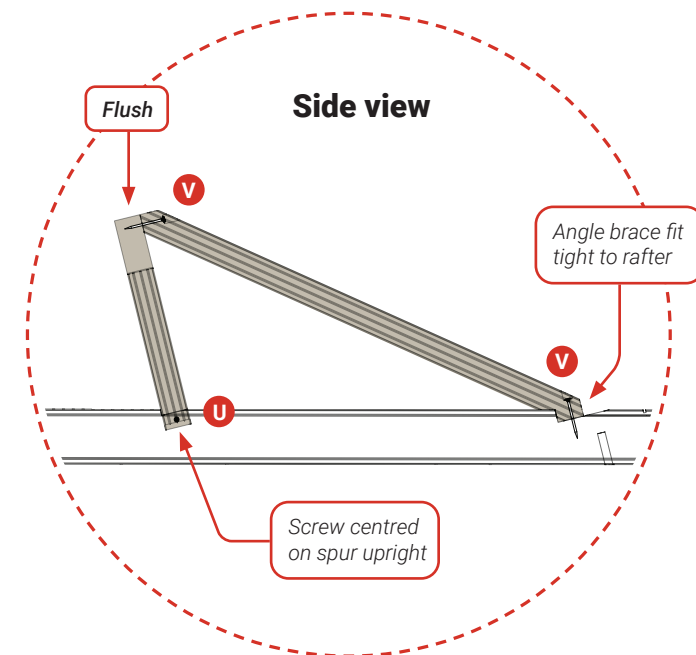
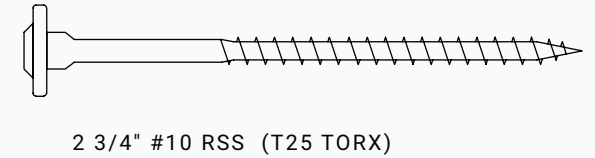
- 1) Fit Middle Rafter Assembly components (DC 4014, DC 4013 and DC 4015).
- 2) Fasten Middle Rafter Assembly components together.
Two Middle Rafter Assemblies will be produced.



V
4X

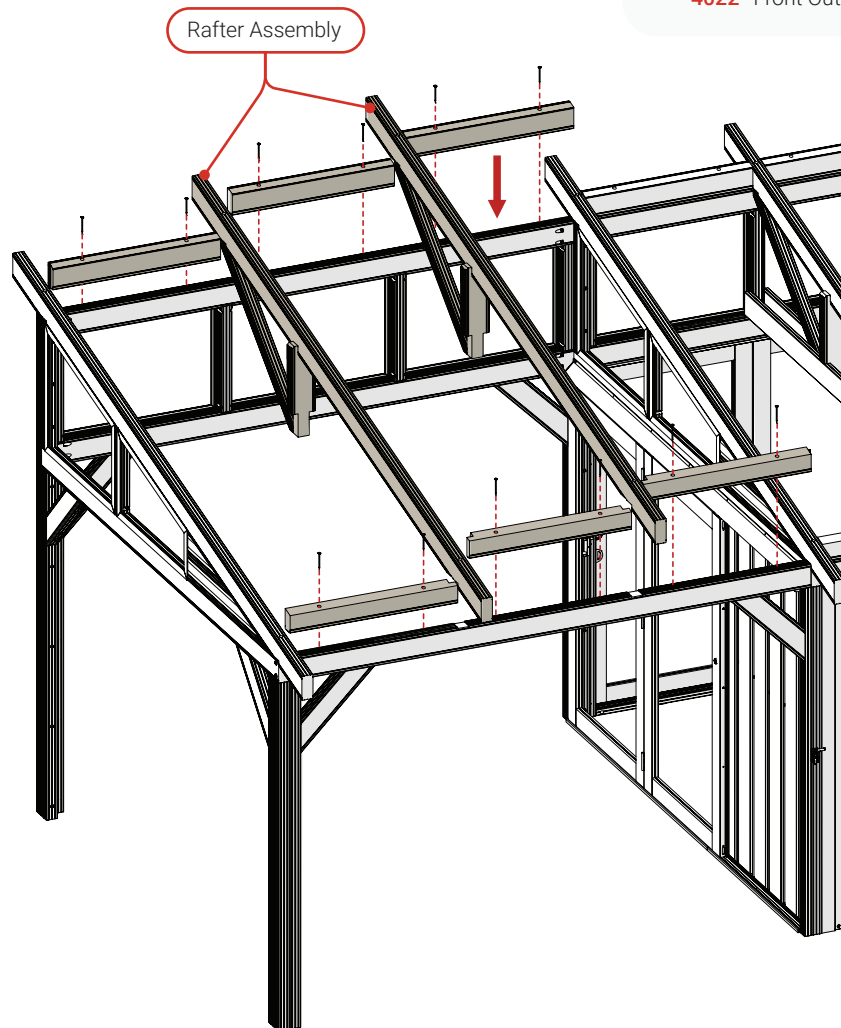
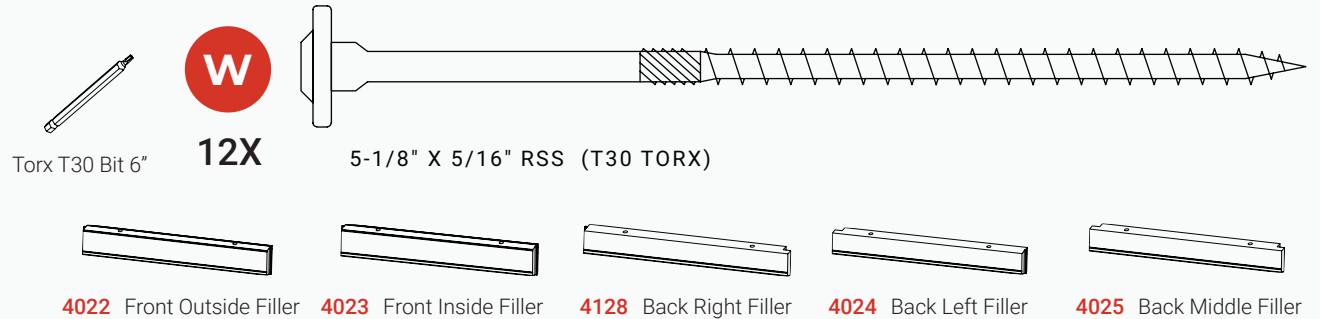


U
4X

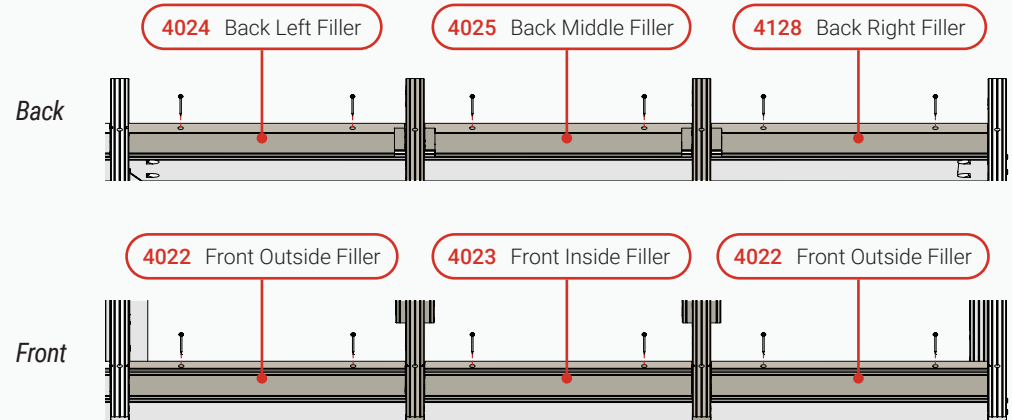


Step 22

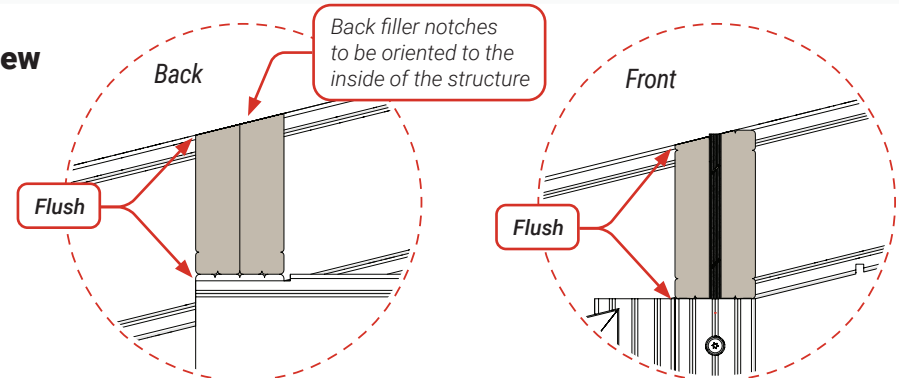
- 1) Flip the Rafter Assemblies and place them with the Front and Back Fillers (DC 4022, DC 4023, DC 4128, DC 4024 and DC 4025) following the order shown on detail views.
- 2) Fasten the Front and Back Fillers to Beams. Use the Torx T30 6" Bit to reach full depth.



Top view



Side view

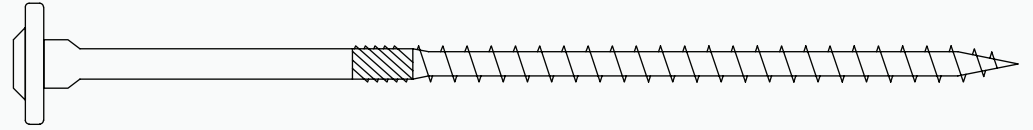


Step 23

1) Fasten Rafter Assemblies to Front and Back Beams.
Use the Torx T30 Bit to reach full depth.



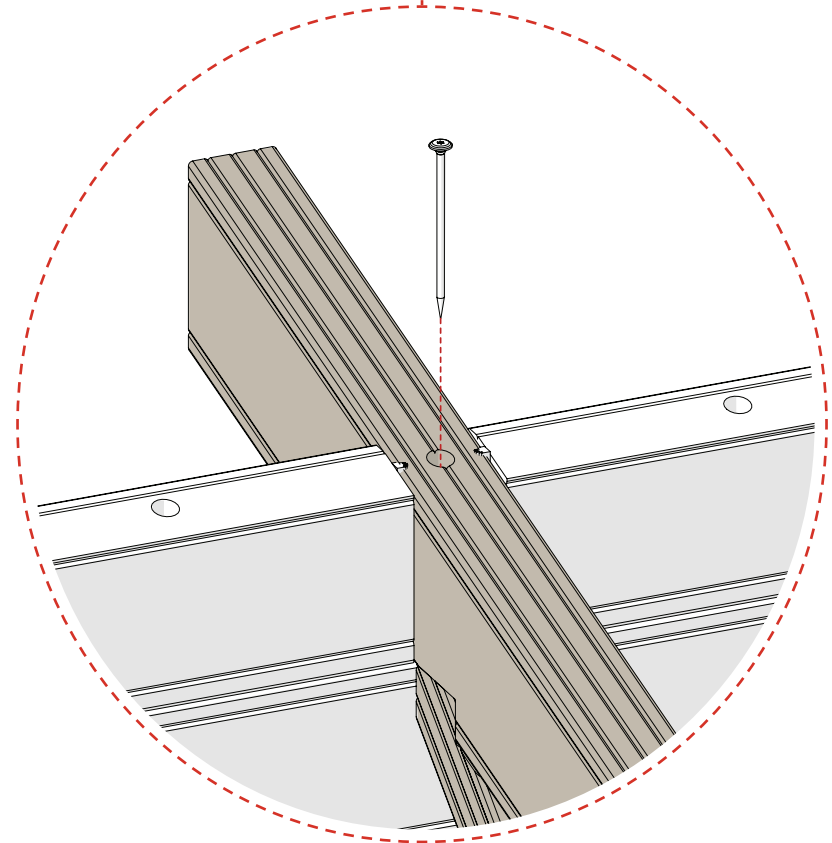
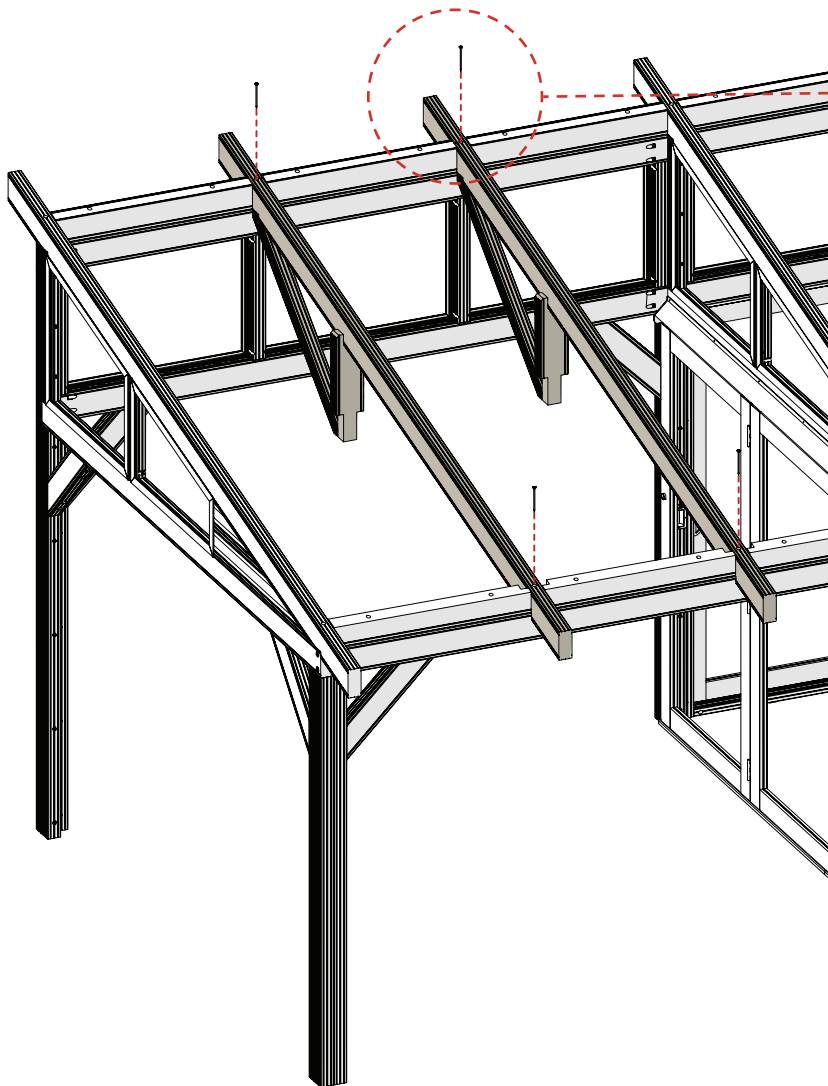
4X



5-1/8" X 5/16" RSS (T30 TORX)

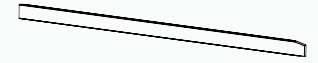


Torx T30 Bit 6"

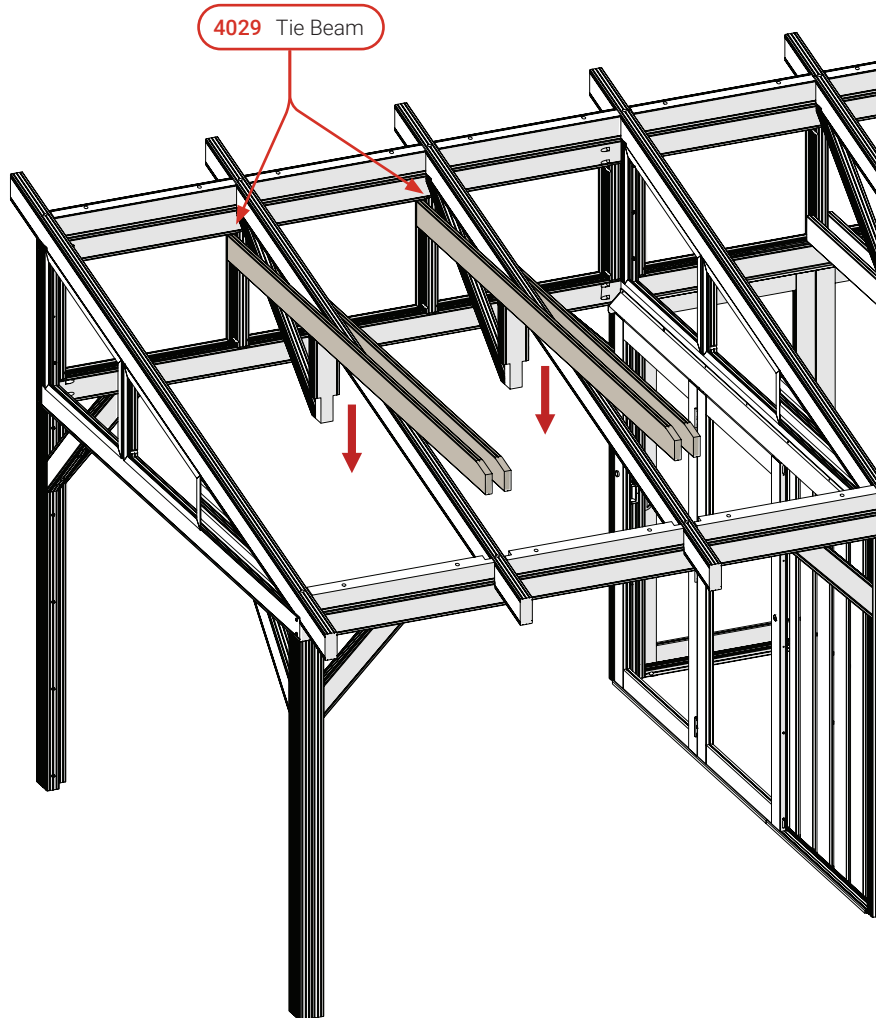


Step 24

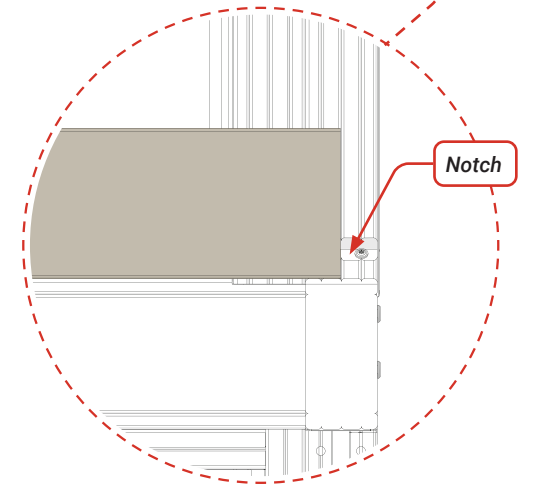
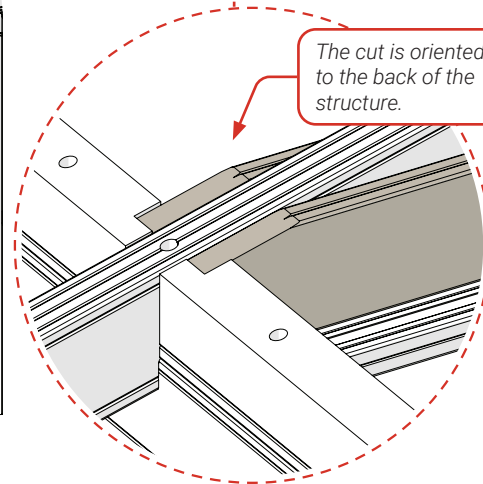
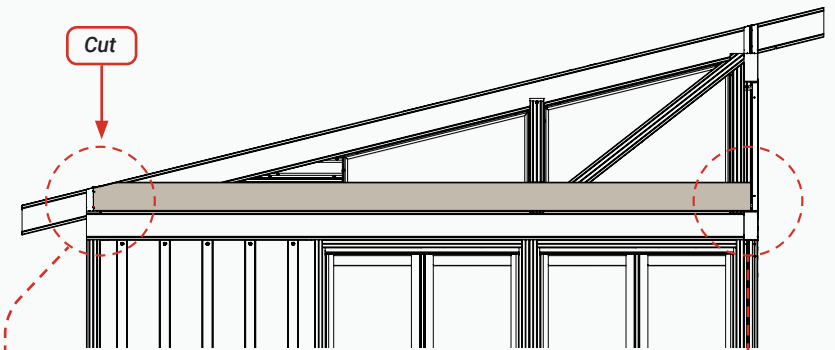
1) Fit the Tie Beams (DC 4029) tight to the Rafter Assemblies and beneath the Spur Uprights. Tie Beams are to rest on the notched portion. *The cut is oriented to the back of the structure.*



4029 Tie Beam



Side view

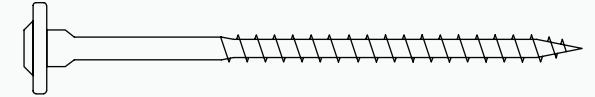


Step 25

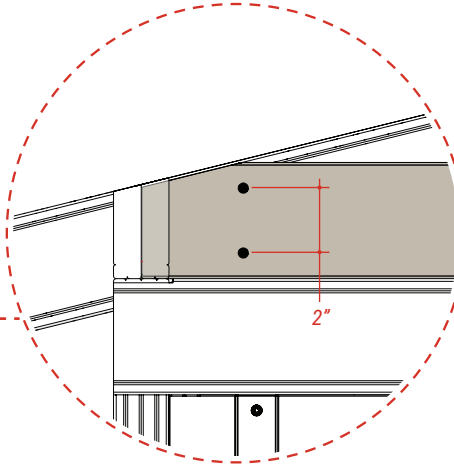
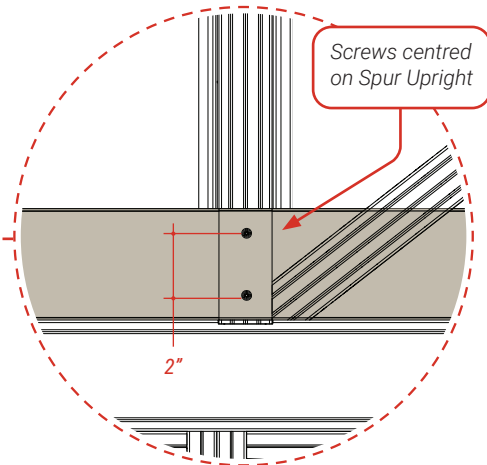
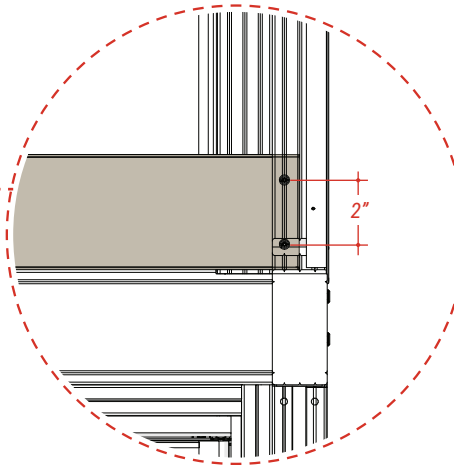
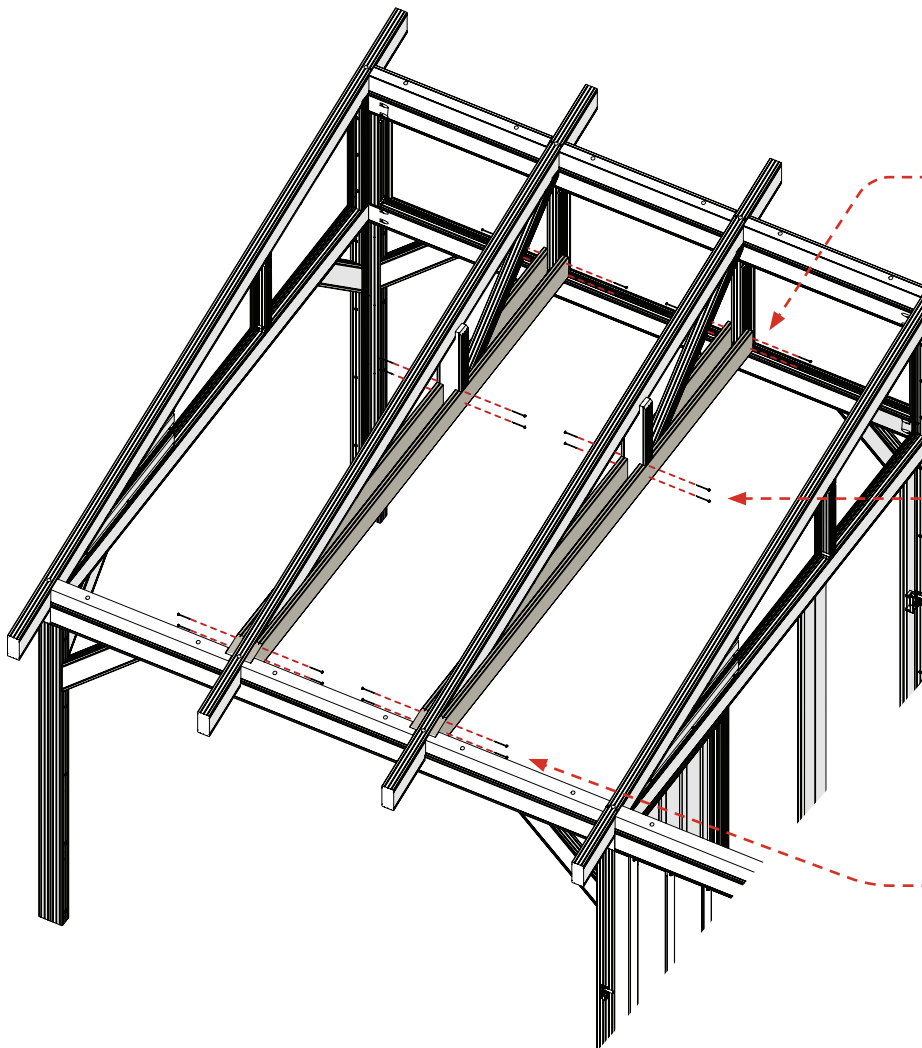
1) Fasten the Tie Beams to the Rafter Assemblies and Middle Front Uprights.



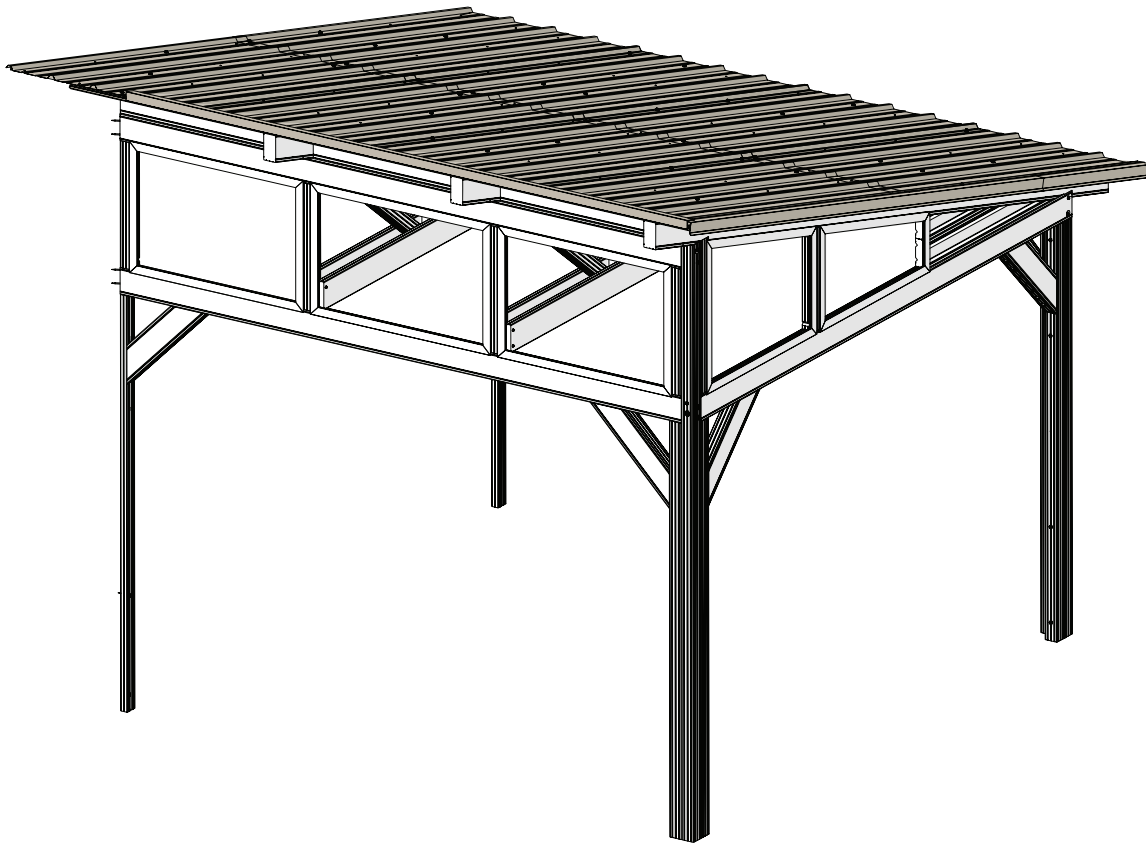
24X



2 3/4" #10 RSS (T25 TORX)



Phase C



C Roofing

Phase C covers the **11x14 Base Structure** and the **11x11 Veranda**. *If you have a 40" or 80" Extension, pay attention to the callouts in the following steps.*

When stepping on Roof, step on Screw Line and **avoid stepping on Ribs** as they can dent and deform.

Only put screws at **pre-punched locations**.

Step 26

1) In order to not interfere with the Veranda the Starter and the Ceiling Boards must be cut down to 81 1/4".
Use a Circular Saw to cut down the Starter and Ceiling Boards.

*** 40" / 80" Extension**
Cut **2X** Starters (DC 2507) and **44X** Ceiling Boards (DC 2500).



2507 Starter Ceiling Board



2500 Full Ceiling Board

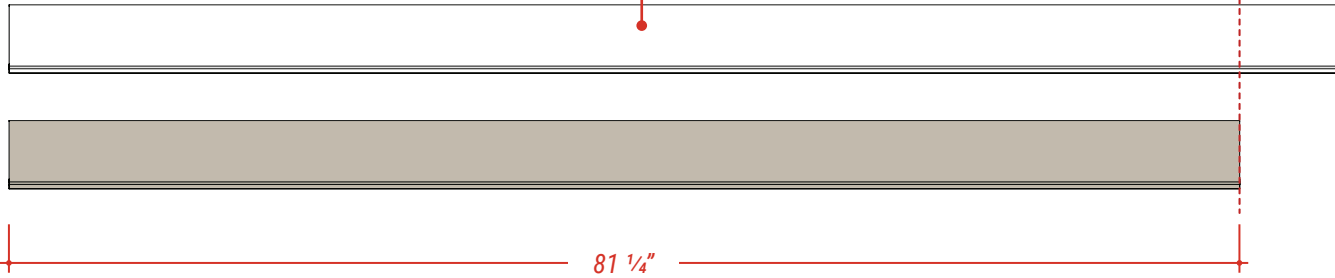


Circular Saw

1X



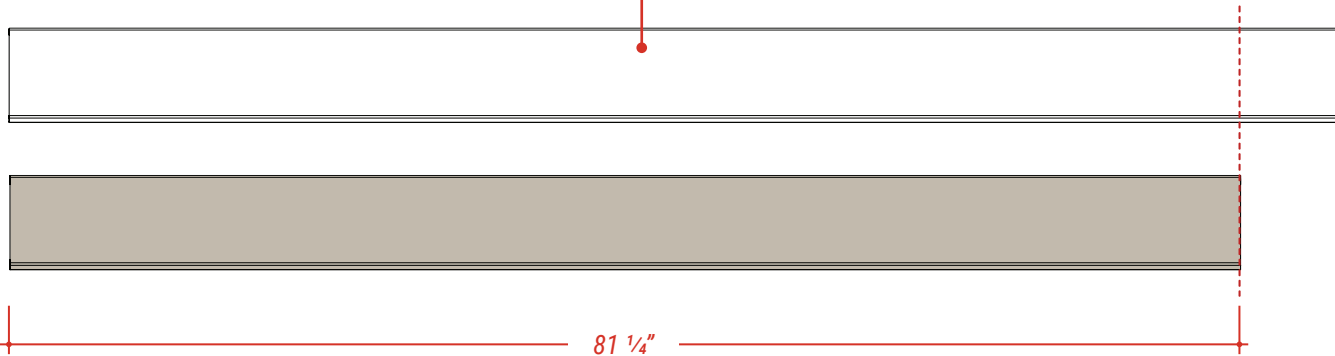
2507 Starter Ceiling Board



22X



2500 Full Ceiling Board

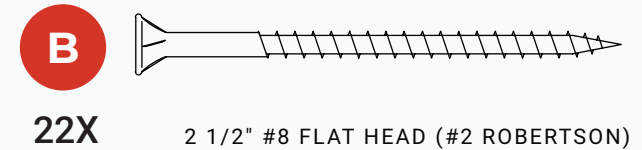


Step 27

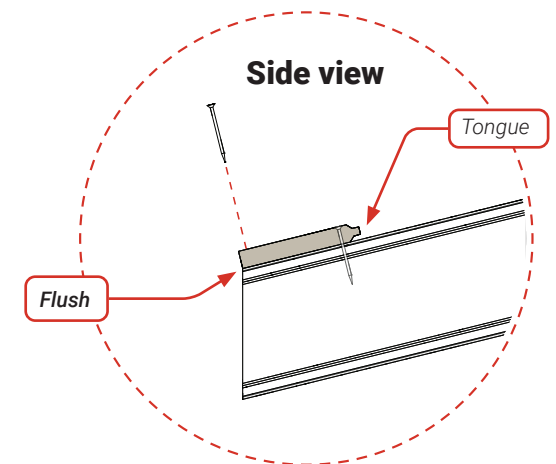
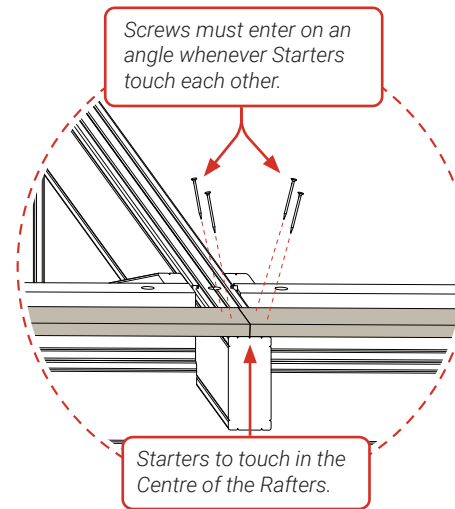
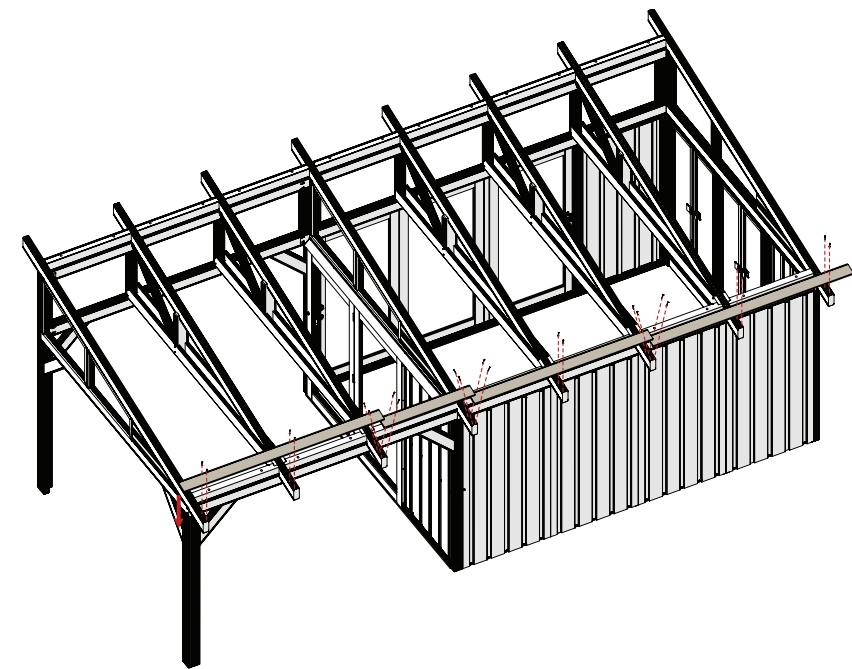
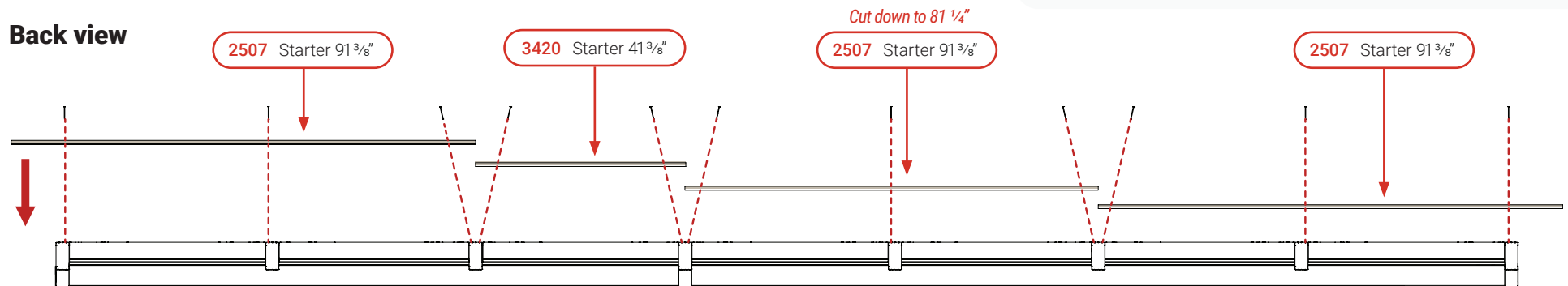
- 1) Fit the Starters (DC 2507 and DC 3420) on the Rafters and push to the bottom edges of the Rafters, tongue facing upwards. Starters to touch at the centre of the Rafters.
- 2) Fasten to each Rafter as shown. Screws must enter on an angle whenever Starters touch each other.

* 40" / 80" Extension

Follow the same order by adding the Starter listed on the equivalent Step of the Extension Manual.



Back view



Step 28

- 1) Fit the Ceiling Boards (DC 2500 and DC 3419) on the Rafters and push to the bottom edges of the Rafters, tongue facing upwards. Ceiling boards to touch at the centre of the Rafters.
- 2) Fasten to Rafters as shown. Screws must enter on an angle whenever Ceiling boards touch each other.



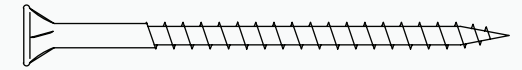
2500 Ceiling Board 91 3/8"



3419 Ceiling Board 41 3/8"



22X

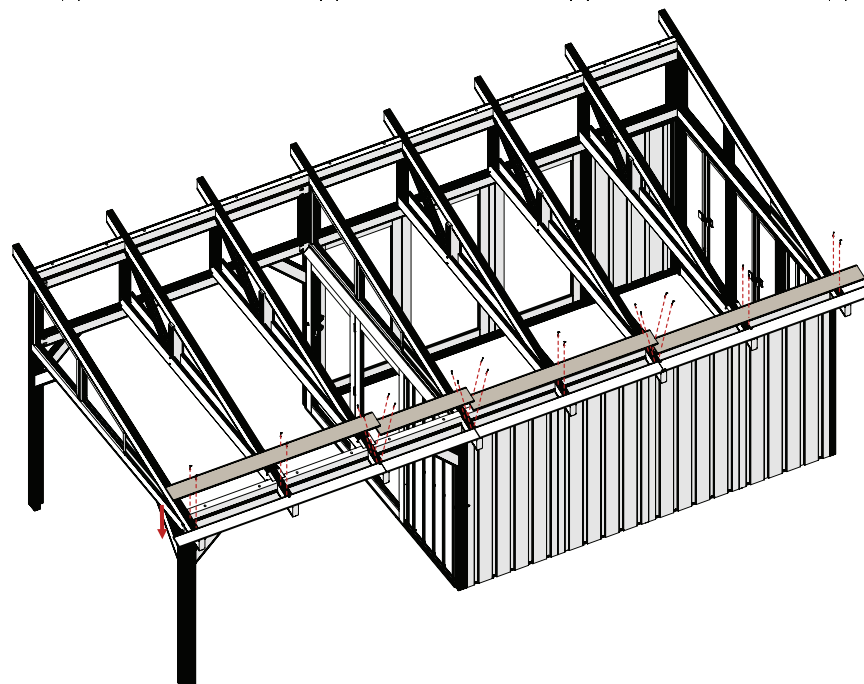
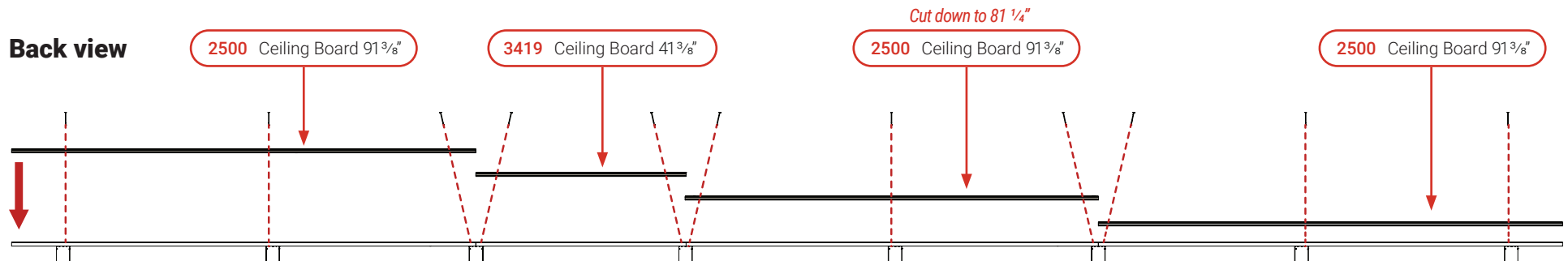


2 1/2" #8 FLAT HEAD (#2 ROBERTSON)

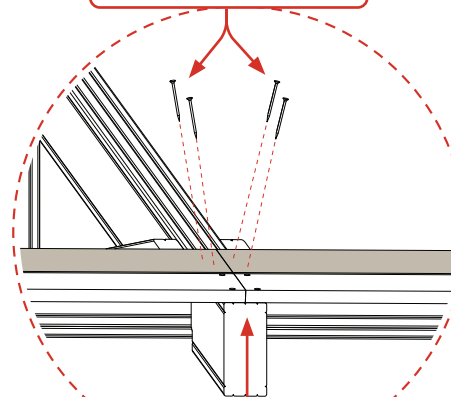
* 40" / 80" Extension

Follow the same order by adding the Ceiling Boards listed on the equivalent Step of the Extension Manual.

Back view

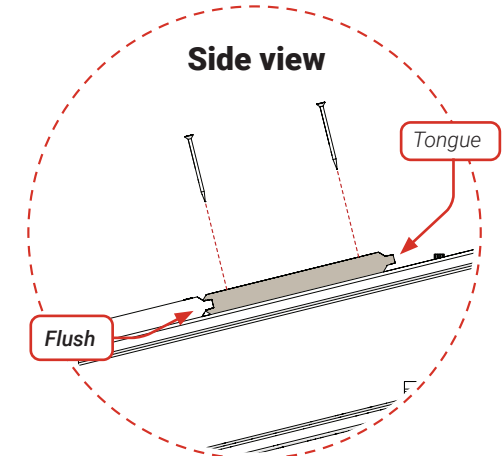


Screws must enter on an angle whenever Ceiling Boards touch each other.



Ceiling Boards to touch in the Centre of the Rafters.

Side view



Step 29

- 1) Fit the Ceiling Boards (DC 2500 and DC 3419) on the Rafters and push to the bottom edges of the Rafters, tongue facing upwards. Ceiling boards to touch at the centre of the Rafters.
- 2) Fasten to Rafters as shown. Screws must enter on an angle whenever Ceiling boards touch each other.



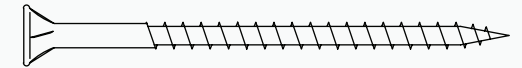
2500 Ceiling Board 91 3/8"



3419 Ceiling Board 41 3/8"



462X

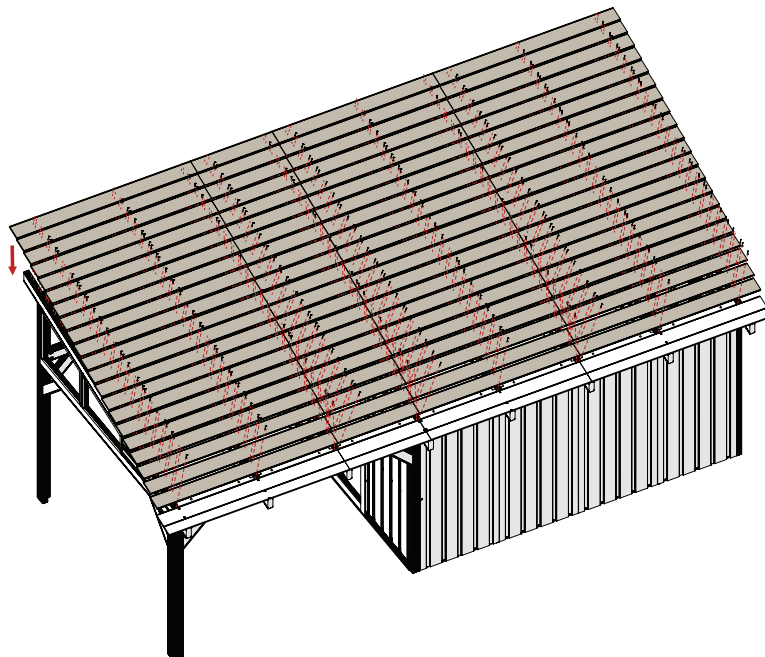
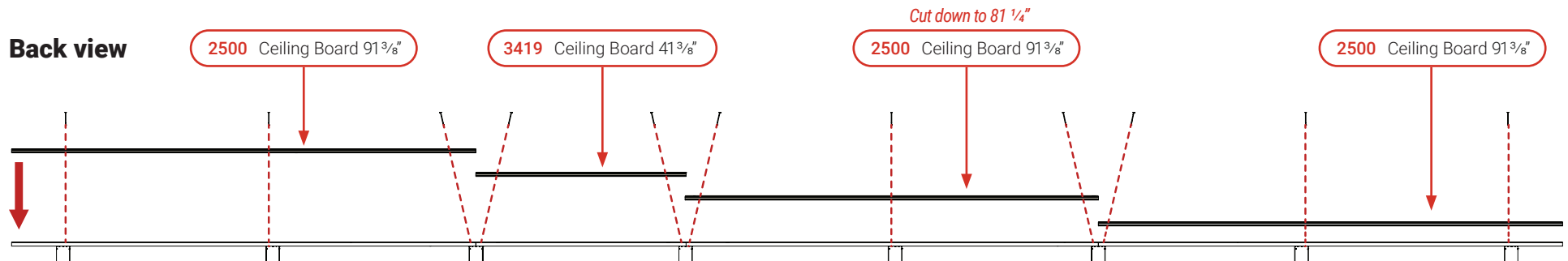


2 1/2" #8 FLAT HEAD (#2 ROBERTSON)

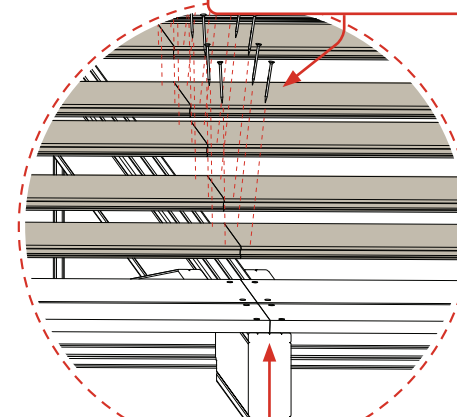
* 40" / 80" Extension

Follow the same order by adding the Ceiling Boards listed on the equivalent Step of the Extension Manual.

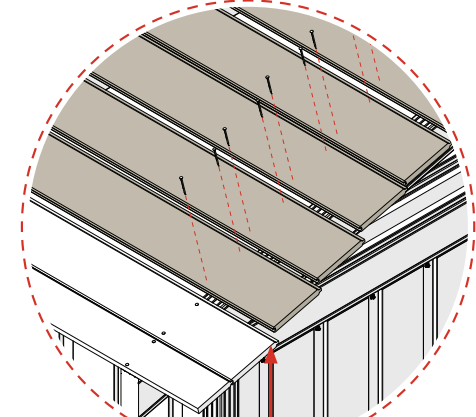
Back view



Screws must enter on an angle whenever Ceiling Boards touch each other.



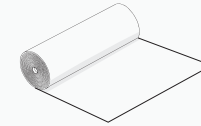
Ceiling Boards to touch in the Centre of the Rafters.



Flush

Step 30

- 1) Roll Tar Paper (DC 2436) flat across Ceiling Boards, tight to the bottom most edge of the ceiling.
- 2) Staple the first row of Tar Paper to the Ceiling Boards using 1/2" staples, spaced a maximum of 12" apart from each other. *Fasten each row of Tar Paper before moving on the next row.*



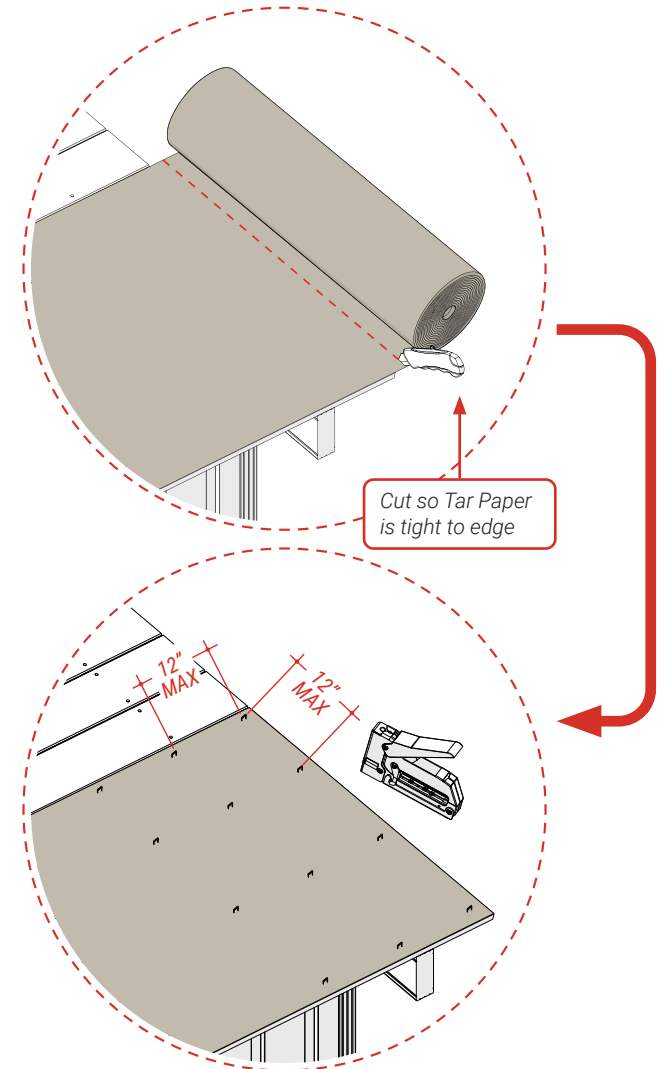
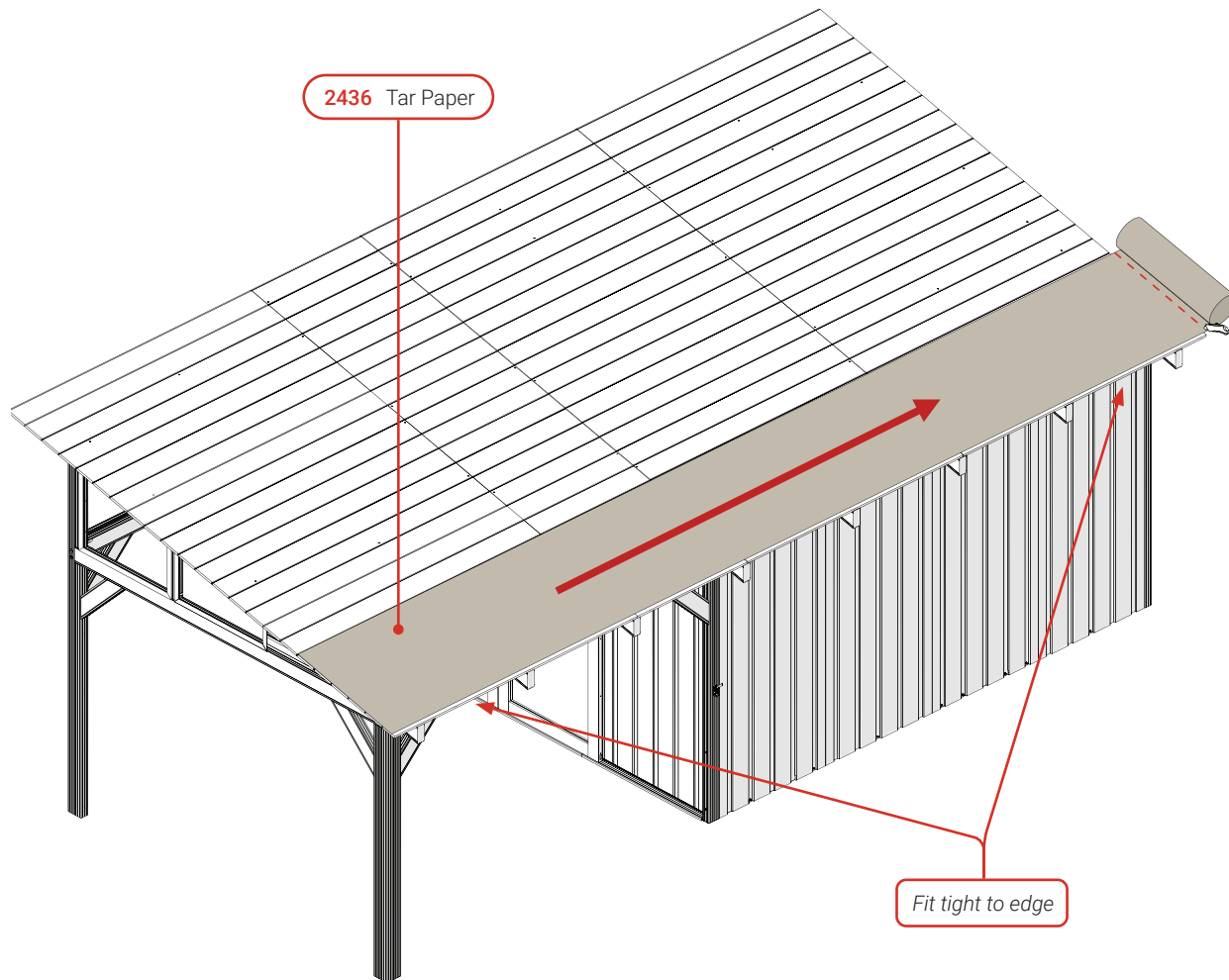
2436 Tar Paper



Knife

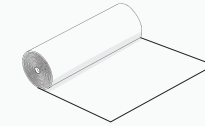


Staple



Step 31

- 1) Roll four more rows of Tar Paper (DC 2436) flat across Ceiling Boards, overlapping each previous row by 6 inches.
- 2) Staple to the Ceiling Board using 1/2" staples, spaced a maximum of 12" apart from each other. Fasten each row of Tar Paper before moving on the next row. The final row to be tight top edge of the top Ceiling Board.



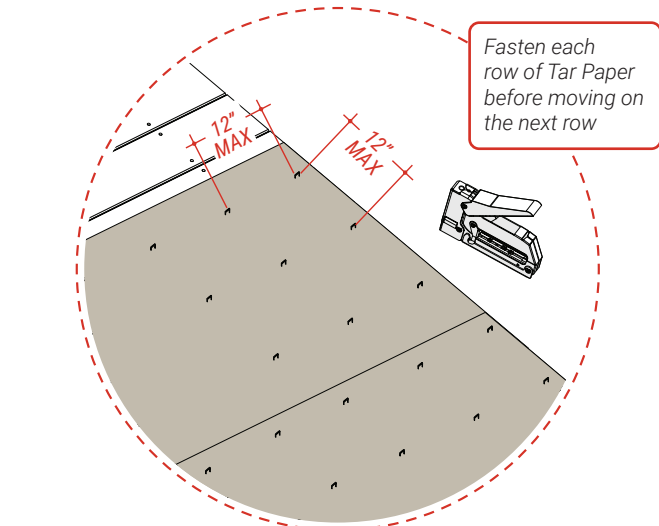
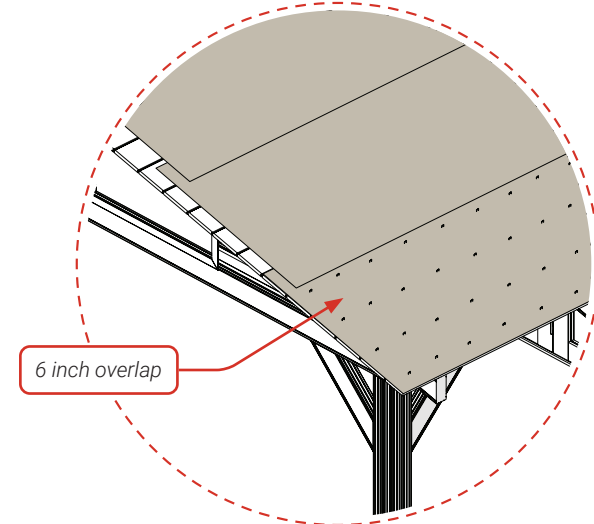
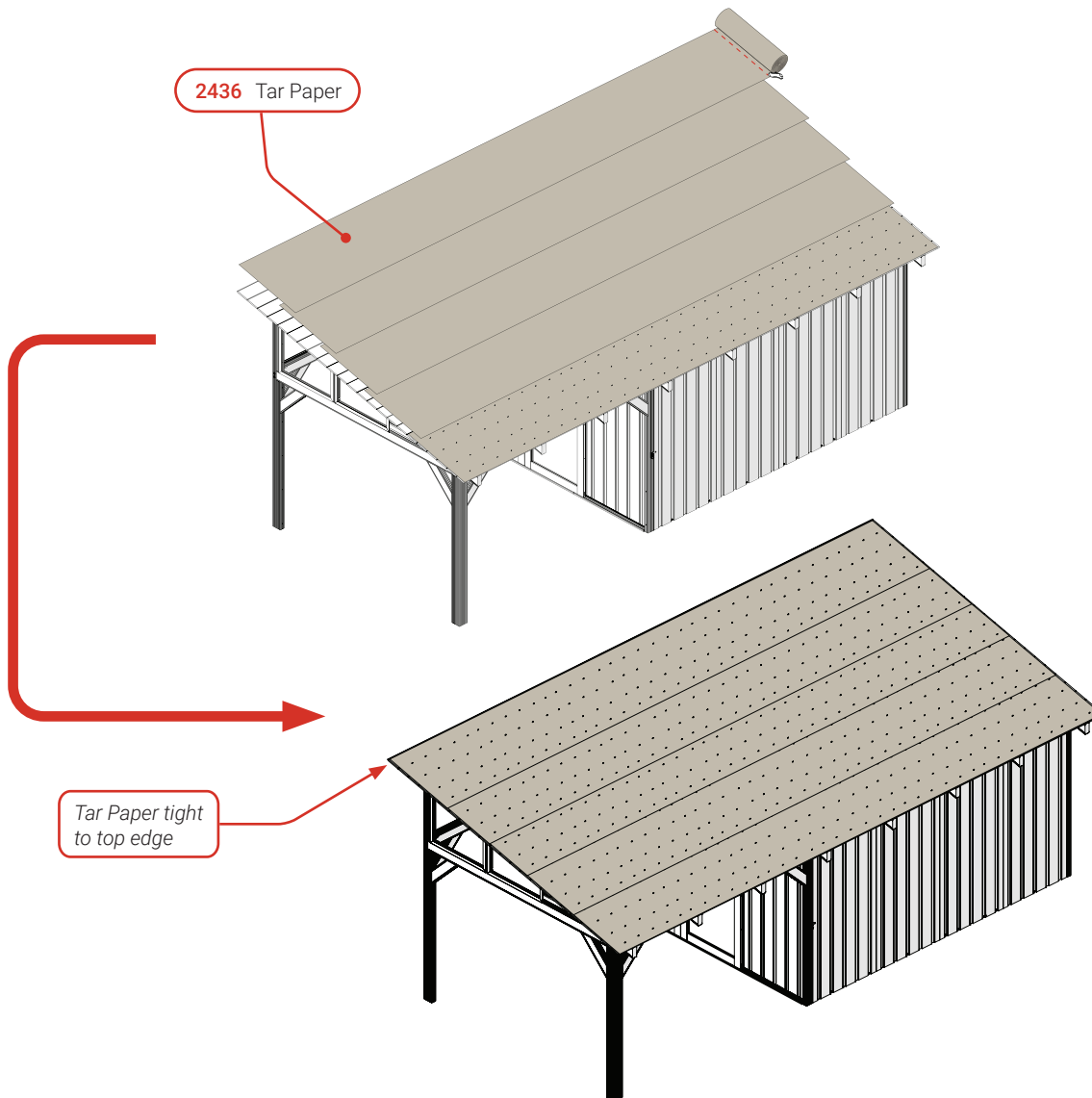
2436 Tar Paper



Knife

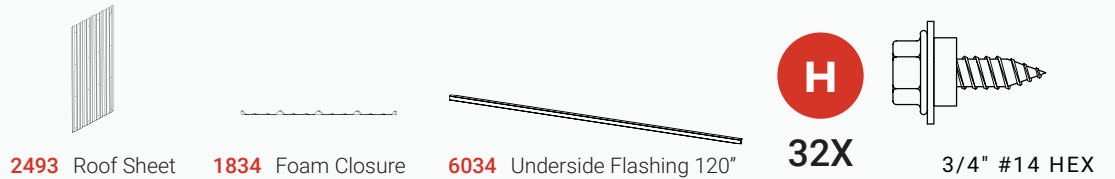


Staple

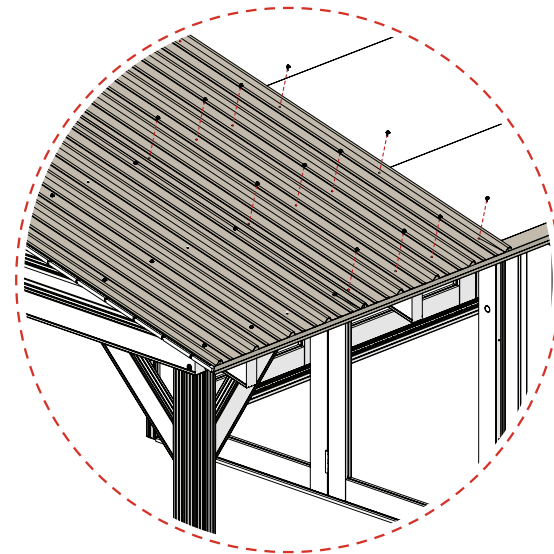
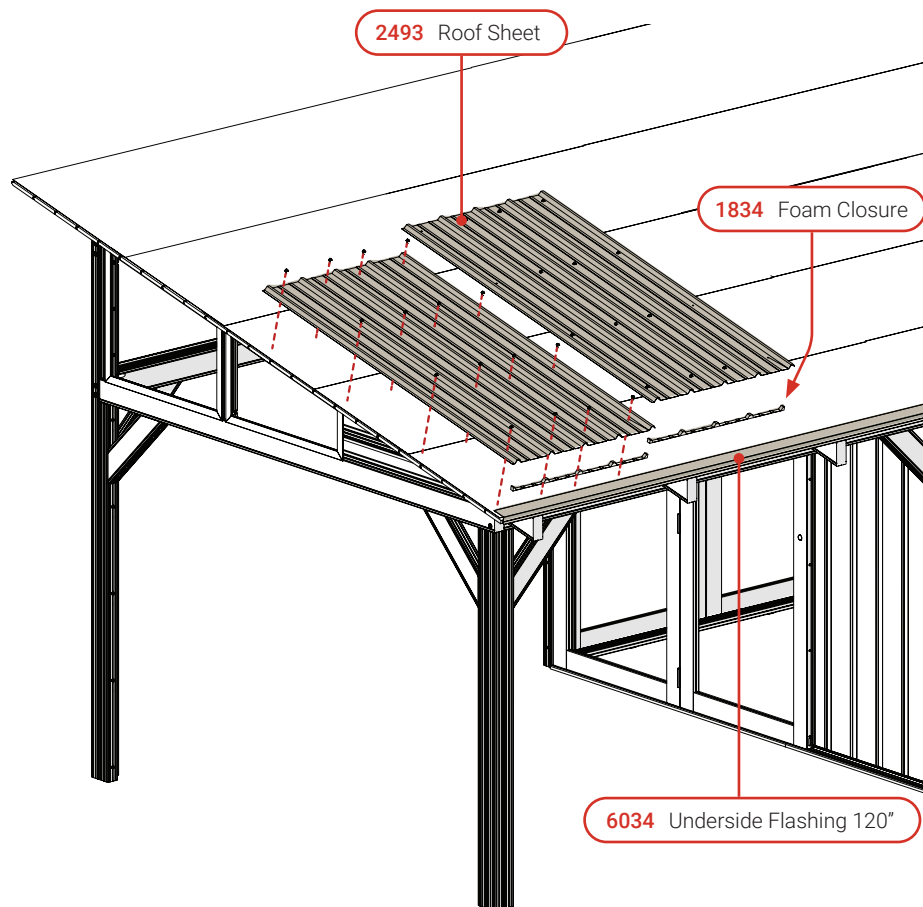
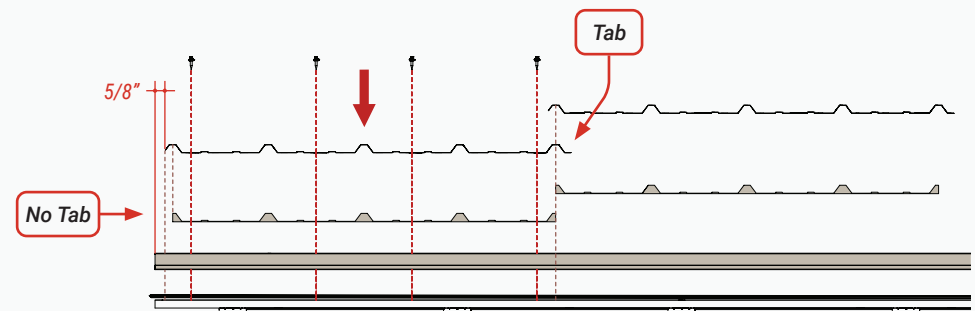


Step 32

- 1) Fit the Underside Flashing 120" (DC 6034) on the bottom edge of the Roof Assembly, tight to the end of the Ceiling Board.
- 2) Review the orientation of Tabs found on the first Roof Sheet (DC 2493) in the Back View.
- 3) Adhere a Foam Closure (DC 1834) to the bottom underside of a Roof Sheet by exposing the Foam Closure's glue strip.

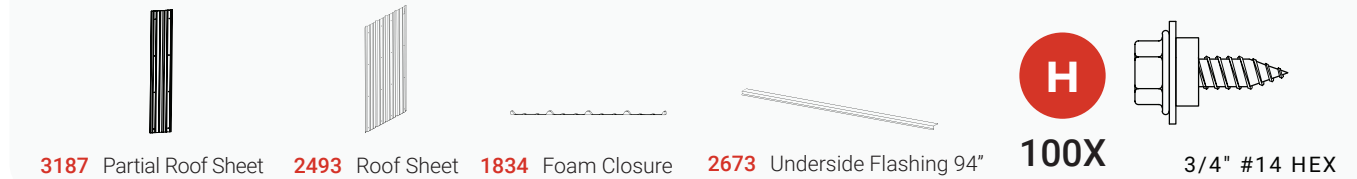


Back view



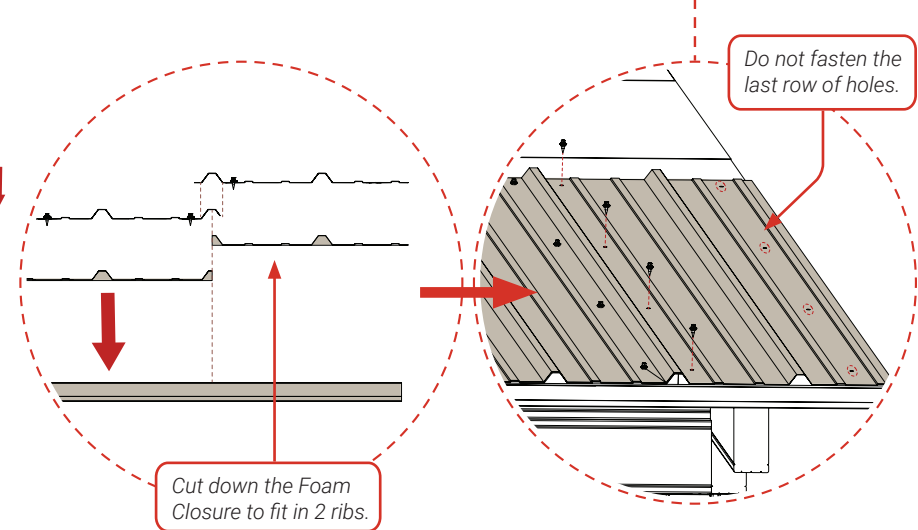
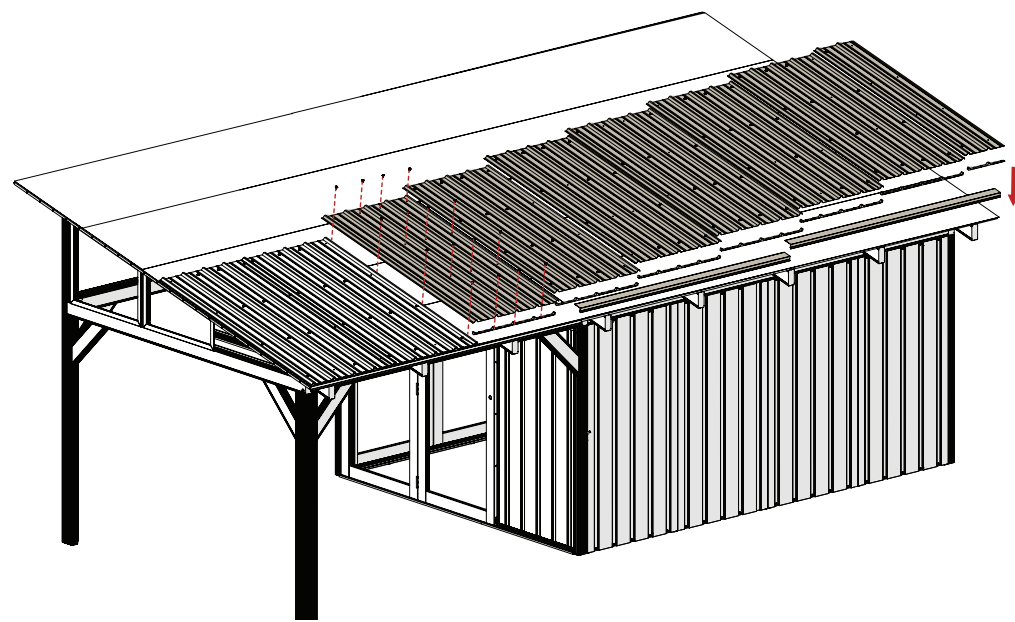
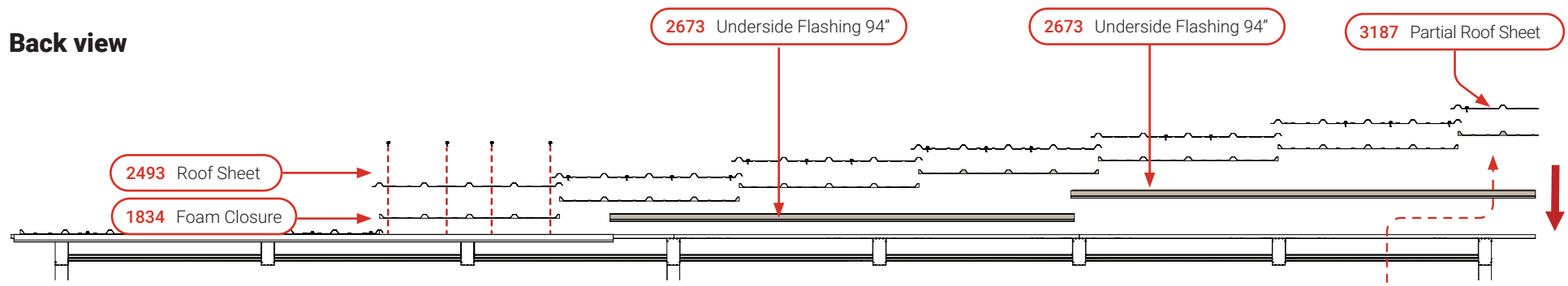
Step 33

- 1) Align the Roof Sheets (DC 2493 and DC 3187), Foam Closures (DC 1834) and Underside Flashings (DC 2673) to the edges of the Ceiling Boards.
- 2) Fasten the Roof Sheets through the pre-punched hole locations and complete the first row of Roofing. *Cut down Foam Closure to fit in two ribs of the Partial Roof Sheet as shown on Detail View. Do not fasten the last row of holes.*



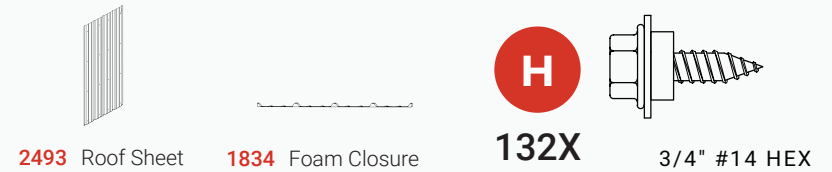
*** 40" / 80" Extension**
 Follow the same order by adding the Roof Sheets, Foam Closures and Flashings listed on the equivalent Step of the Extension Manual.

Back view



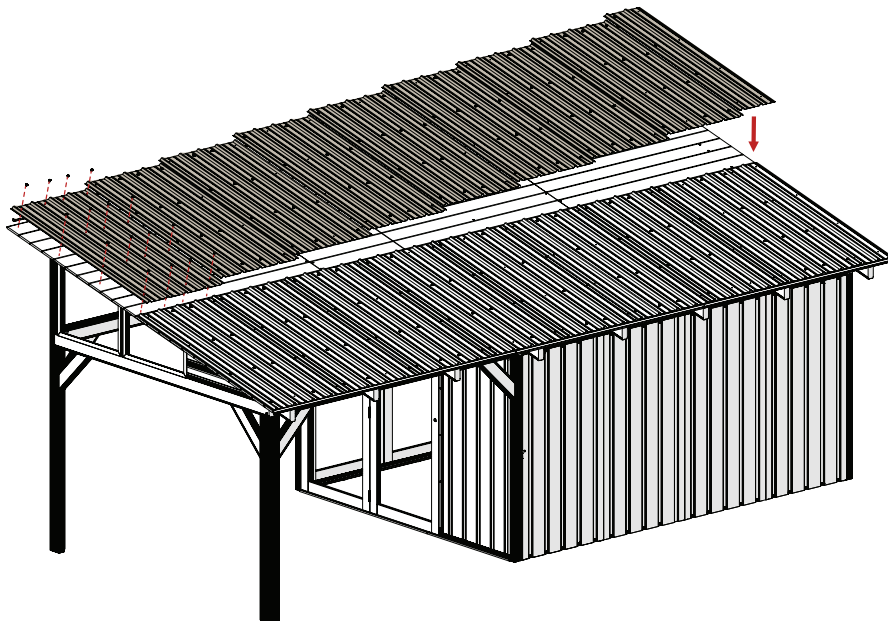
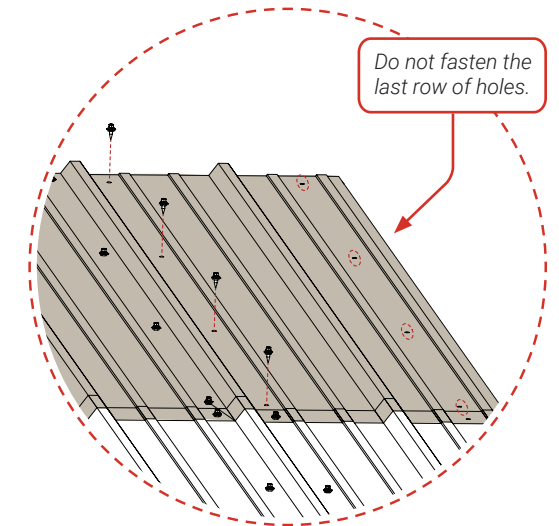
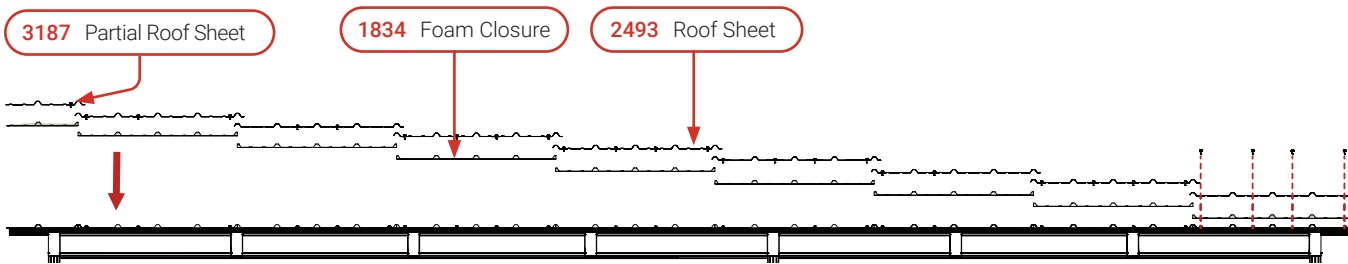
Step 34

- 1) Align the Roof Sheets (DC 2493 and DC 3187), Foam Closures (DC 1834) to the edges of the Ceiling Boards.
- 2) Fasten the Roof Sheets through the pre-punched hole locations and complete the last row of Roofing. Cut down Foam Closure to fit in two ribs of the Partial Roof Sheet as shown on Detail View. Do not fasten the last row of holes.

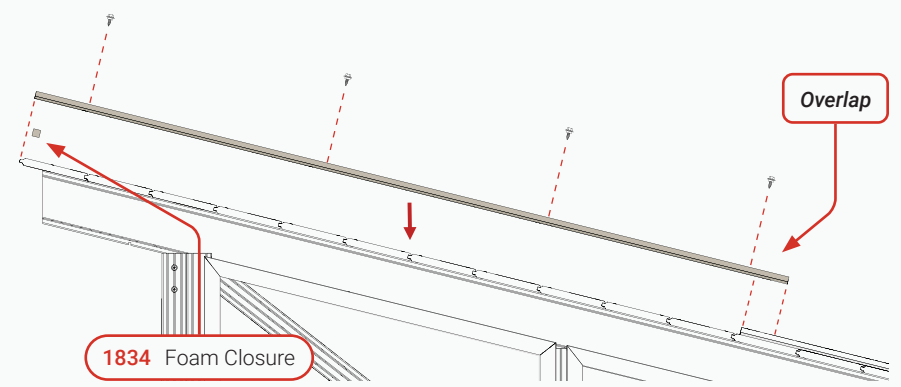


*** 40" / 80" Extension**
Follow the same order by adding the Roof Sheets and Foam Closures listed on the equivalent Step of the Extension Manual.

Front view

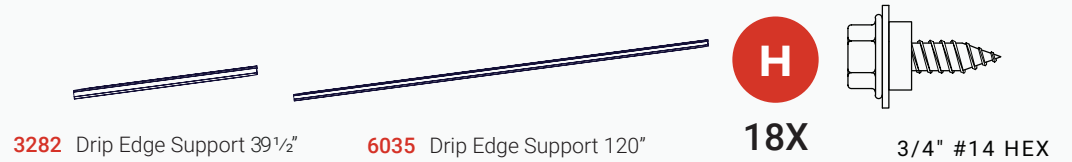


Side view

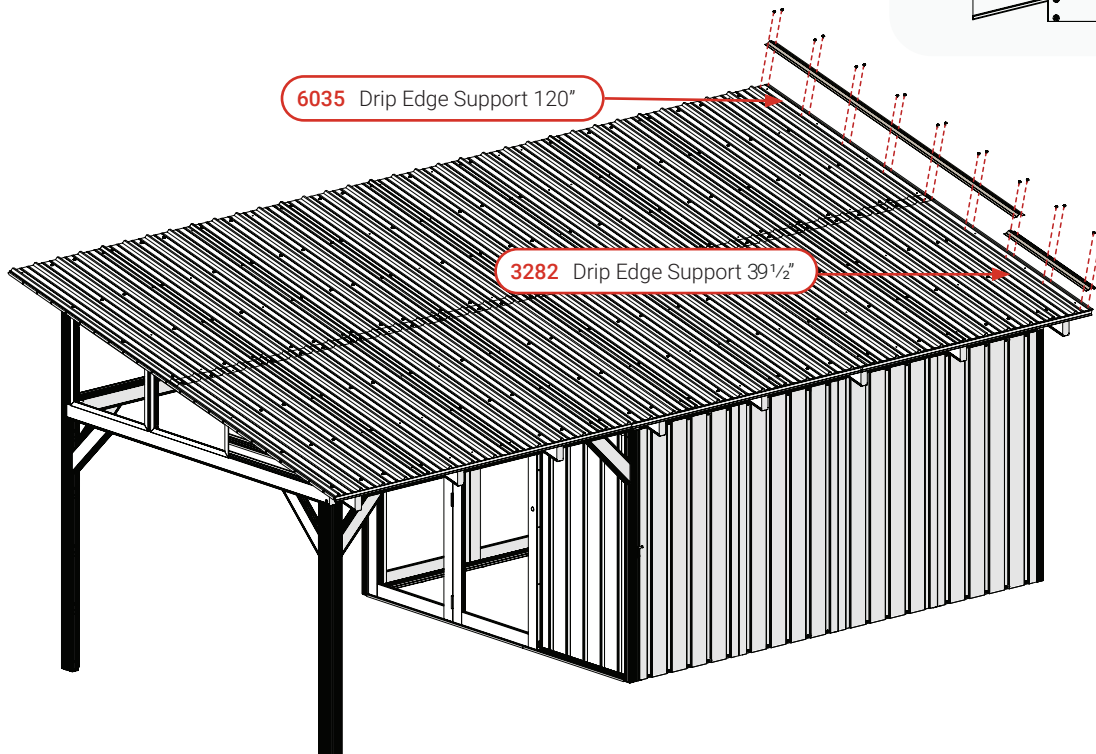
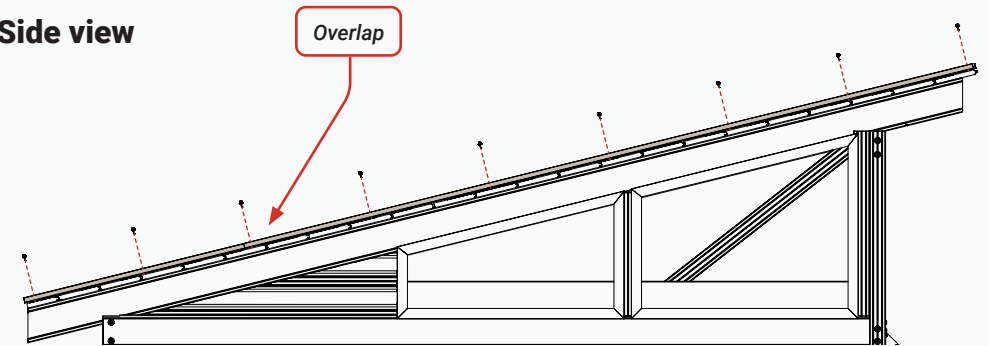


Step 35

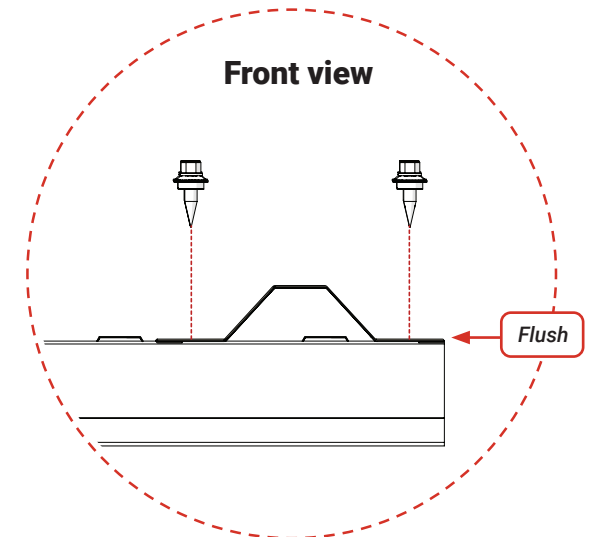
- 1) Place the Drip Edge Supports (**DC 3282** and **DC 6035**) in the order as shown. *Overlap the Drip Edge Supports and flush to the corners.*
- 2) Fasten through the pre-punched hole locations, and through the underlapped Roof Sheet.



Side view

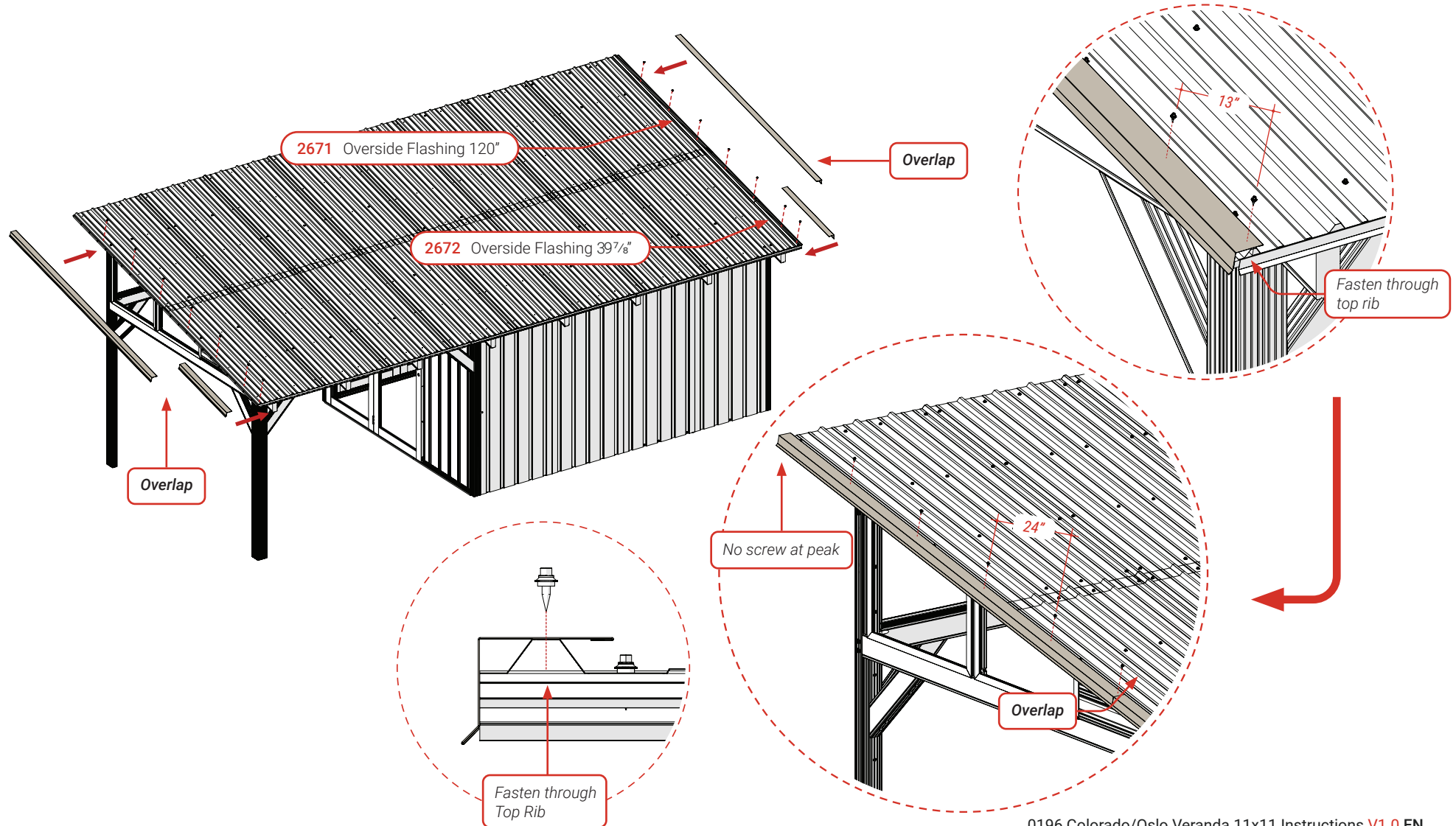
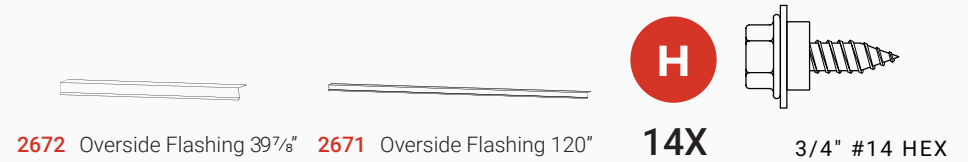


Front view



Step 36

- 1) Fit the Overside Flashing 39⁷/₈" (DC 2672) so it reaches the bottom edge of the bottom Roof Sheet. Fasten with two screws only at locations shown in diagram (13 inches apart).
- 2) Fit the Overside Flashing 120" (DC 2671) over the short portion, and have it reach the top edge of the top Roof Sheet. Fasten with five screws through top rib (24 inches apart). Refrain from adding a screw at the very peak of the Roof at this time.

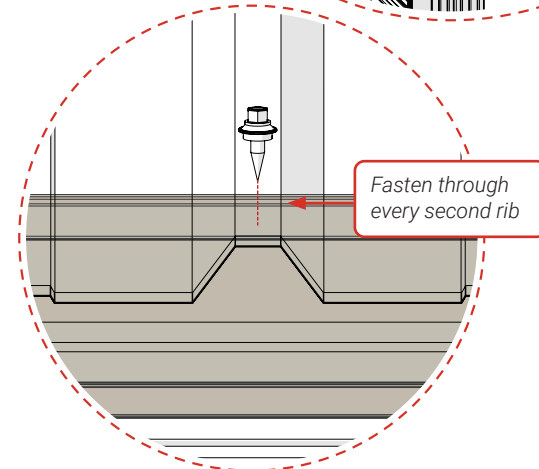
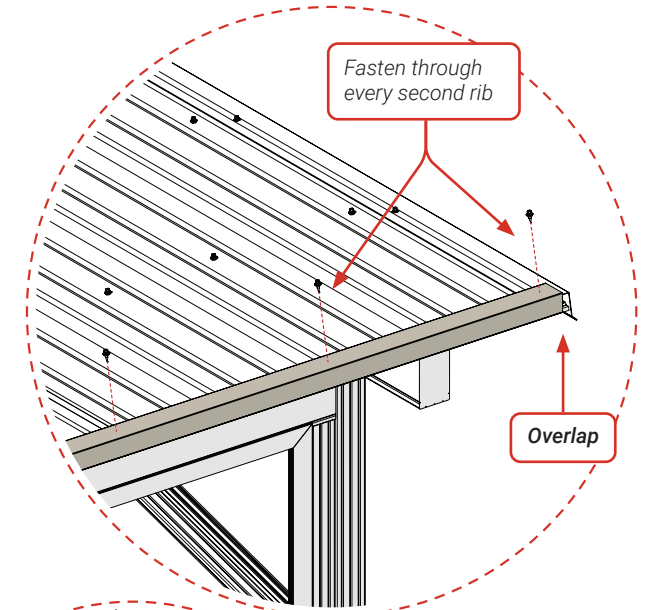
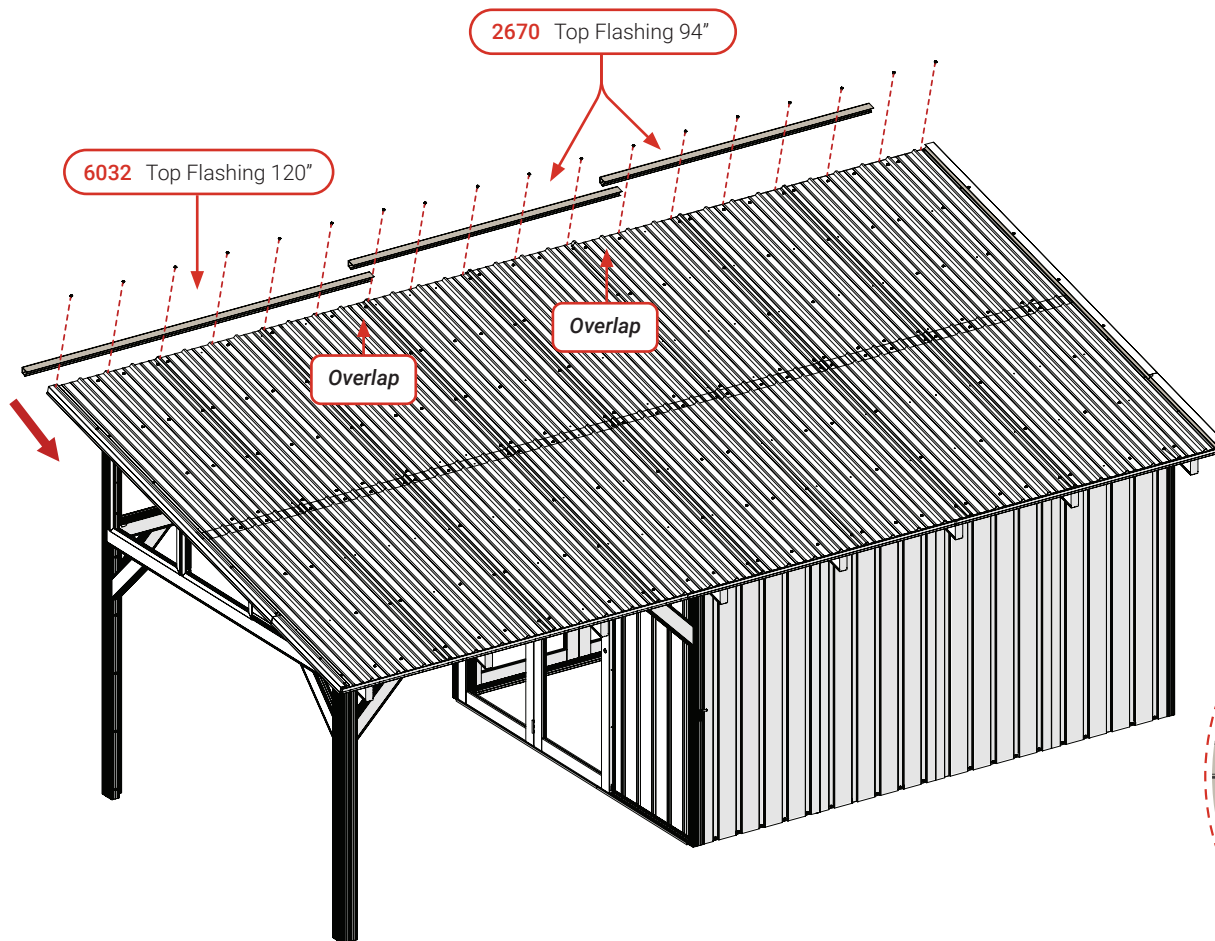
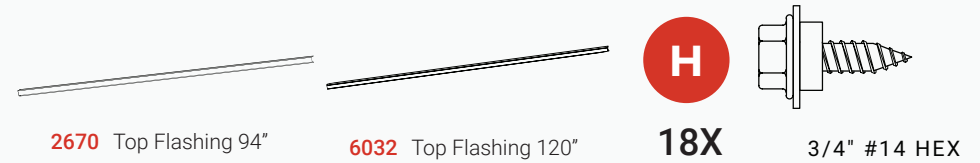


Step 37

- 1) Fit the Top Flashings (DC 2670 and DC 6032) so that it overlaps the Side Flashings.
- 2) Fasten to the roof metal through every second rib as shown on detail views.

* 40" / 80" Extension

Follow the same order by adding the Flashings listed on the equivalent Step of the Extension Manual.



**INSTALLATION
COMPLETE**

