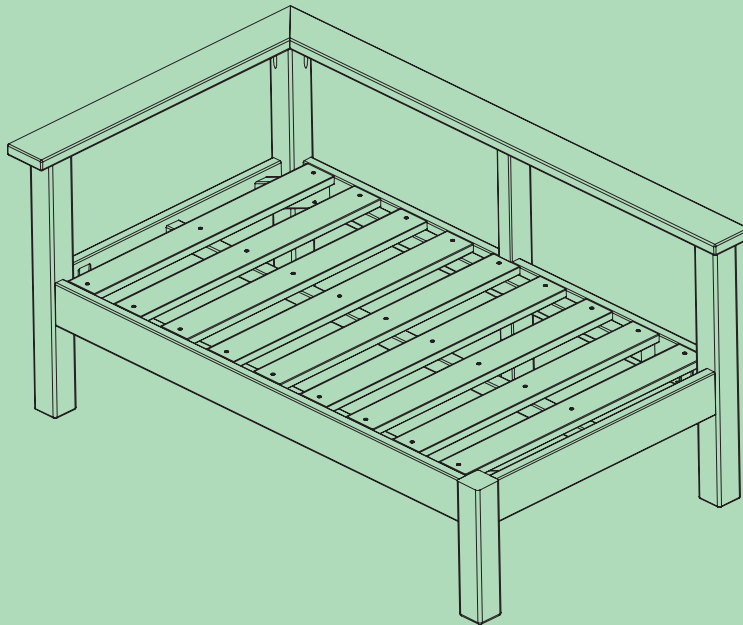




CATALINA SECTIONAL RIGHT LOVESEAT

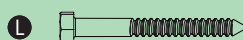
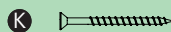
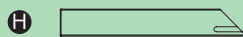
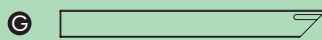
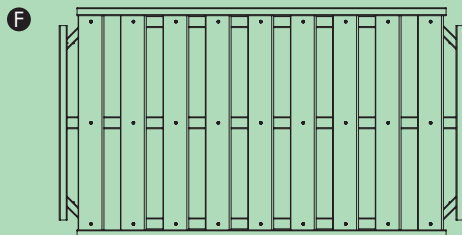
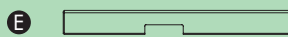
The following instruction manual will assist you with the assembly of your virtually maintenance free Catalina Sectional Right Loveseat. **DO NOT DRAG PRODUCT ON ABRASIVE SURFACES.** Always use protective safety equipment where required (e.g. eyewear). **TOOLS REQUIRED:** Adjustable wrench, screwdriver with #2 square bit. Use of power drill suggested.

ASSEMBLED RIGHT LOVESEAT



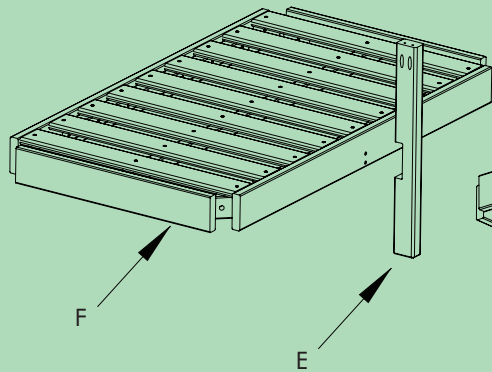
NOTE: CUSHIONS SOLD SEPARATELY

KIT CONTENTS

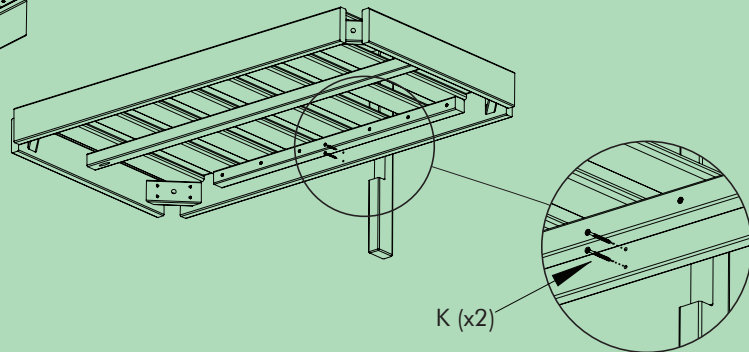


- A. Short Leg
- B. Left Leg
- C. Corner Leg
- D. Right Leg
- E. Middle Leg
- F. Seat Assembly
- G. Left Backrest
- H. Right Backrest
- I. Metal Bracket
- J. 1/2" Screw (4)
- K. 2" Screw (10)
- L. Lag Screw (4)
- M. Washer (4)

STEP 1

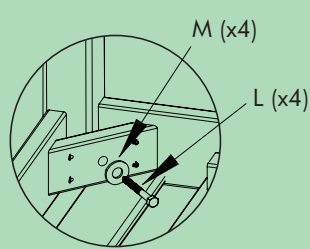


Attach the Middle Leg (E) to the Seat Assembly (F) with two 2" screws (K).



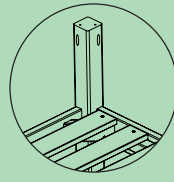
K (x2)

STEP 2



M (x4)

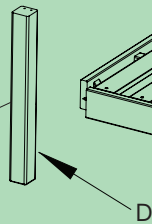
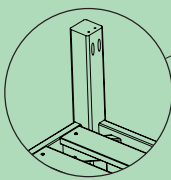
L (x4)



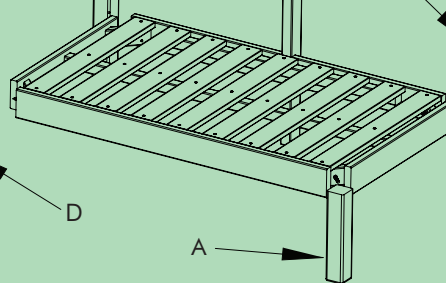
(E)

(E)

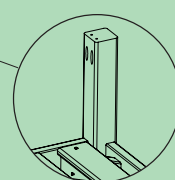
B



D



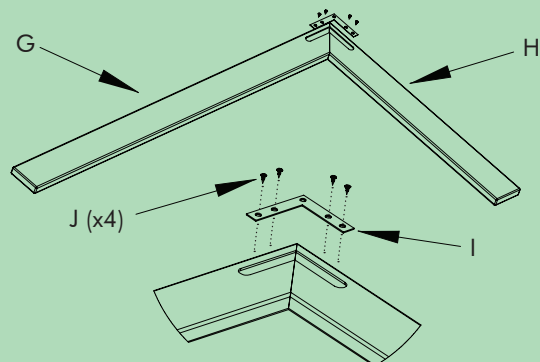
A



Attach the Left (B), Corner (C), Right (D), and Short (A) legs with the four Lag Screws (L) and Washers (M). PLEASE NOTE the location and orientation of each leg as shown.

STEP 3

Attach the Left and Right Backrests (H&G) together with the Metal Bracket (I) and four 1/2" screws (J).



G

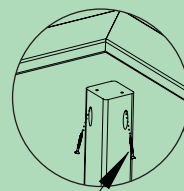
H

J (x4)

I

STEP 4

Turn the Backrest assembly over and attach to the tops of the legs with the eight 2" screws (K).



K (x8)

