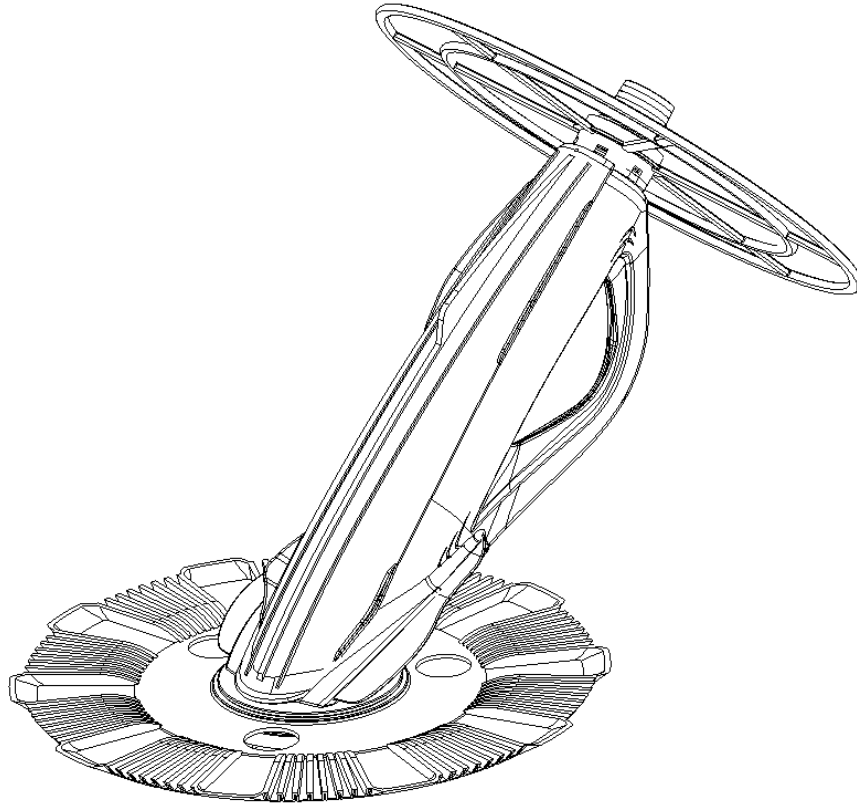


## OWNER'S MANUAL

### INSTALLATION, OPERATION & PARTS



DV5000

Basic safety precautions should always be followed, including the following: Failure to follow instructions can cause severe injury and/or death.

**▲** This is the safety-alert symbol. When you see this symbol on your equipment or in this manual, look for one of the following signal words and be alert to the potential for personal injury.

**▲ WARNING** warns about hazards that **could** cause serious personal injury, death or major property damage and if ignored presents a potential hazard.

**▲ CAUTION** warns about hazards that **will** or **can** cause minor or moderate personal injury and/or property damage and if ignored presents a potential hazard. It can also make consumers aware of actions that are unpredictable and unsafe.

The **NOTICE** label indicates special instructions that are important but not related to hazards.

### SAVE THIS INSTRUCTION MANUAL

Hayward Pool Products  
Phone: 908-351-5400  
[www.haywardnet.com](http://www.haywardnet.com)

Hayward Pool Products Canada  
1-888-238-7665  
[www.haywardcanada.com](http://www.haywardcanada.com)

Hayward Pool Products Europe  
[www.hayward.fr](http://www.hayward.fr)



**⚠ WARNING** - Read and follow all instructions in this owner's manual and on the equipment. Failure to follow instructions can cause injury.

**⚠ WARNING** – This document should be given to the owner of the swimming pool and must be kept by the owner in a safe place.

**⚠ WARNING** – This appliance is not intended for use by persons with reduced physical, sensory or mental capabilities, or lack of experience and knowledge, unless they have been given supervision or instruction concerning use of the appliance by a person responsible for their safety.

**⚠ WARNING** – Do not let children use or play with the cleaner.

**⚠ WARNING** – Use only genuine Hayward replacement parts.

**⚠ CAUTION** – Regularly inspect the cleaner and hoses; do not use if damaged or if any rough edges are visible on the cleaner as this can cause damage to the pool.

**⚠ WARNING** – Never operate the cleaner when there are people in the pool.

**⚠ CAUTION** – Vinyl liners are subject to deterioration or damage due to age, the effects of chemicals, corrosion or failure of the supporting walls; as well as improper installation. Before installing your pool vacuum, inspect the interior of your pool carefully. If your vinyl liner is brittle or has stones, roots, wrinkles, metal corrosion in contact with the underside of the liner, or has damage to the base material or supporting walls, do not install the pool vacuum before having a qualified pool professional perform the necessary repairs or modifications. HAYWARD will not be responsible for liner damage caused by a cleaner out of warranty or one that has been used in a pool having an aged or deteriorated liner. You are responsible for liner damage if you use the pool vacuum under these conditions.

**USE ONLY HAYWARD GENUINE REPLACEMENT PARTS**



# Disc Suction Cleaner

## OWNER'S MANUAL

Congratulations on your purchase of your automatic suction pool cleaning system from Hayward. Your Cleaner is the smart, efficient way to clean your pool. Hayward Disc Cleaners are powered by your pool's filter system and are designed to work well with most systems. Therefore the performance of the Cleaner in your pool will be relative to that power source. Because the operation and performance of the Cleaner are system reliant, there is a remote possibility that a "service call" may be necessary to complete the proper installation of your Cleaner. Because this is an installation related call, it will be at the consumer's expense. Also, one or more of the accessories designed for the Cleaner, including additional hose sections (if needed), might be applicable to your installation. Consult your Hayward dealer for the price and availability. For Technical Assistance, call Hayward at:

USA: 908-355-7995

Canada: 1-888-238-7665

Europe: [www.hayward.fr](http://www.hayward.fr)

**TO REGISTER YOUR CLEANER IN OUR DATABASE, GO TO:**

USA: [www.haywardnet.com](http://www.haywardnet.com) Canada: [www.haywardcanada.com](http://www.haywardcanada.com) Europe: [www.hayward.fr](http://www.hayward.fr)

**For Your Records**

**USE ONLY HAYWARD GENUINE REPLACEMENT PARTS**



Record the following information for your convenience:

1) Purchase Date

---

2) Serial Number

---

**Note**

Hayward Disc Cleaners should not be used to clean the pool for spring start-up. On those occasions, where your pool is subjected to an abnormal debris load, maintenance steps should be taken to return the pool to “pre-installations” condition.

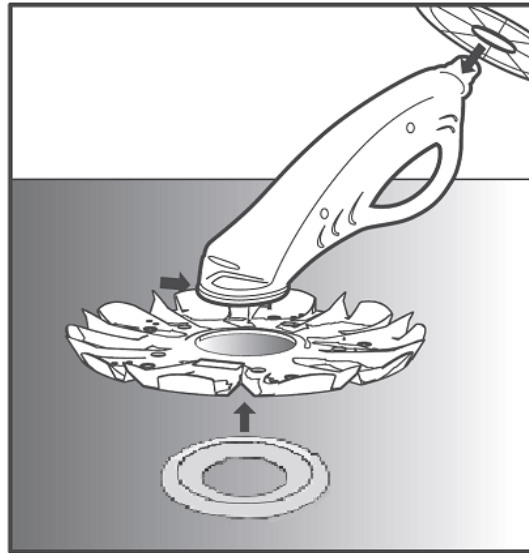
---

**USE ONLY HAYWARD GENUINE REPLACEMENT PARTS**

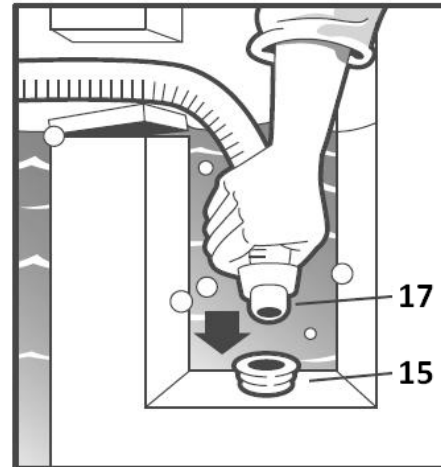
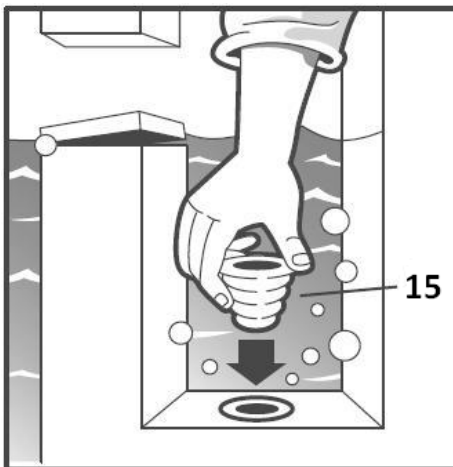
---

## Installation

1. Slide the Disc onto the cleaner body insuring the side marked "UP" is up. Start one side of the Disc inner edge in the Foot groove and pull and flex the Disc until its inner edge is fully in the groove and the Disc rotates easily. Slide the Wear Ring onto the Foot bottom flange, insuring the stepped side is down. Flex the top edge over the flange until it is completely above it and the Ring rotates freely.



2. Turn off your pump.
3. If connecting through your skimmer, insert the Adapter into the Skimmer outlet and the first hose through the Skimmer inlet and its male end into the Adapter.

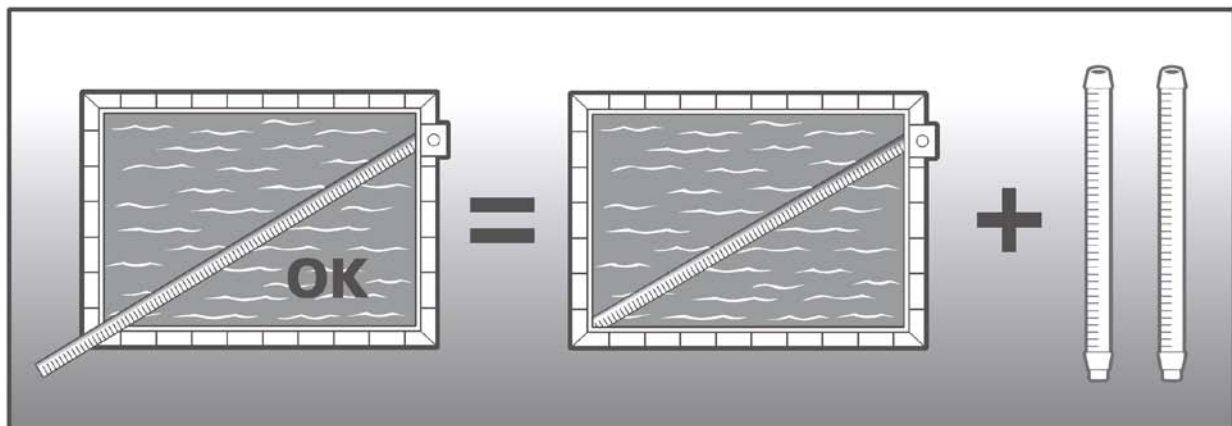


4. If connecting through your dedicated suction outlet, lift the cover and insert the first hose male end directly into the outlet.

**USE ONLY HAYWARD GENUINE REPLACEMENT PARTS**

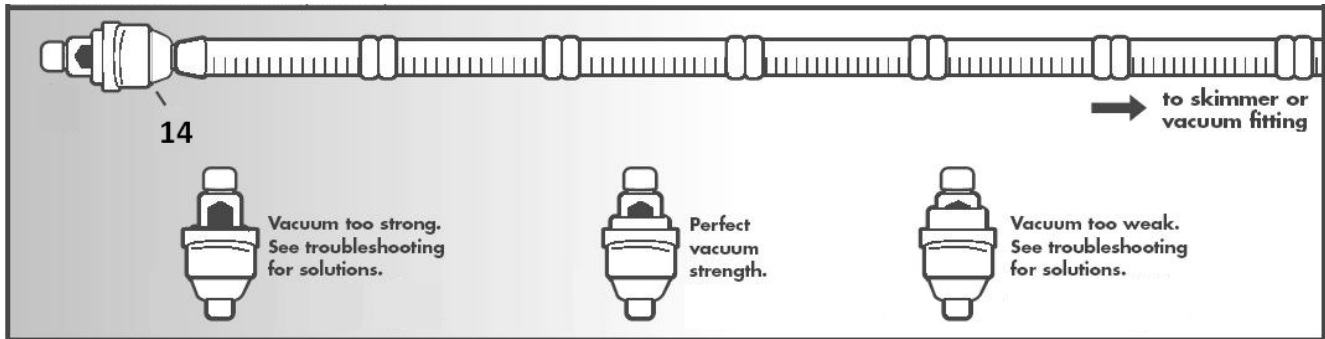


5. Insure adequate length of hose is connected together to cover your pool.

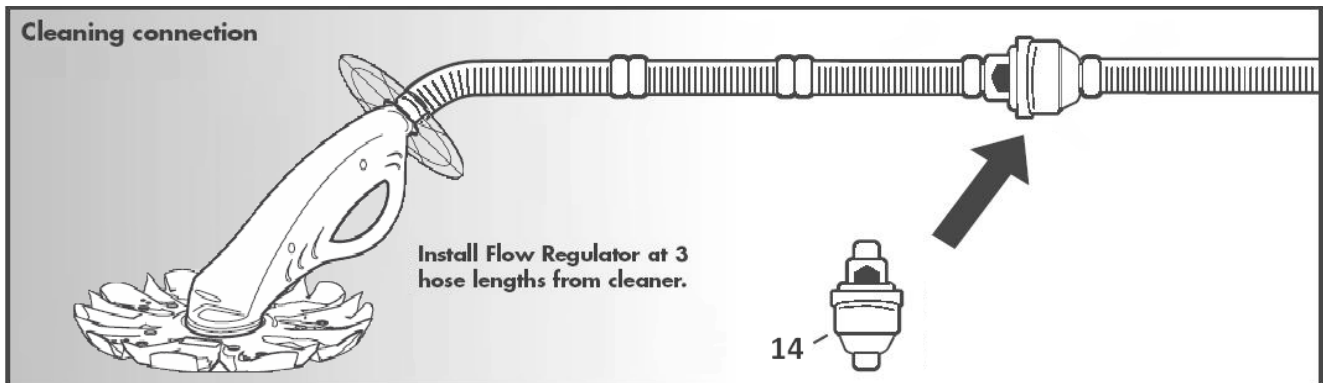


6. Attach the Flow Regulator with its plastic lid on top to the end of the hoses. Turn your pump on making sure the Flow Regulator remains below the water surface. Wait until your pump has removed all air from the hoses and is operating normally. While the Flow Regulator is under water, observe its setting triangle opening. Adjust your balance between bottom return and skimmer/dedicated outlet until the triangle's second rib is just visible. Refer to the indicator label on the Flow Regulator. Skip the next step. If your system cannot provide sufficient flow to the cleaner, as indicated by the Regulator, it may not clean adequately. You should contact a local pool service company or Hayward Technical Service for assistance. If you cannot reduce flow to the cleaner, as indicated by the Regulator, go to Step 7.

**USE ONLY HAYWARD GENUINE REPLACEMENT PARTS**

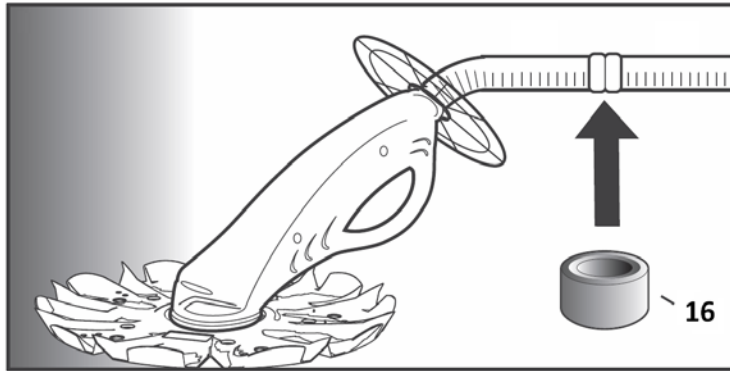


7. If you cannot adjust flow down to the optimum point on the Flow Regulator, you will need to insert the Regulator in line with the hoses (without lid). This can be at any point along the flow path from the cleaner to the skimmer/dedicated outlet but may be initially placed between the third and fourth hoses. The Regulator must remain below the water surface at all times in order for the cleaner to work properly.

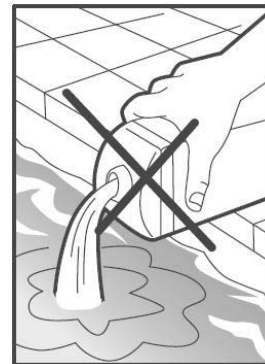
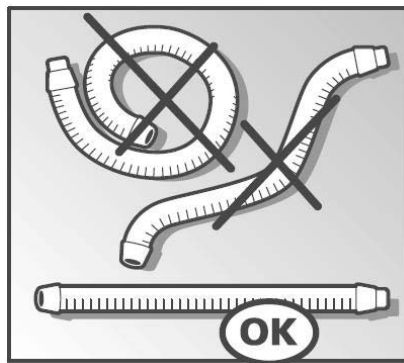


**USE ONLY HAYWARD GENUINE REPLACEMENT PARTS**

8. If your cleaner does not move around your pool with the Disc in full contact with the bottom, approximately 45 degrees, it may require installation of the Hose Weight. Start by placing the Weight at the joint between the first and second hoses from the cleaner. Observe its movement over your entire pool before changing. Adjust its location as necessary to achieve good contact with the bottom.



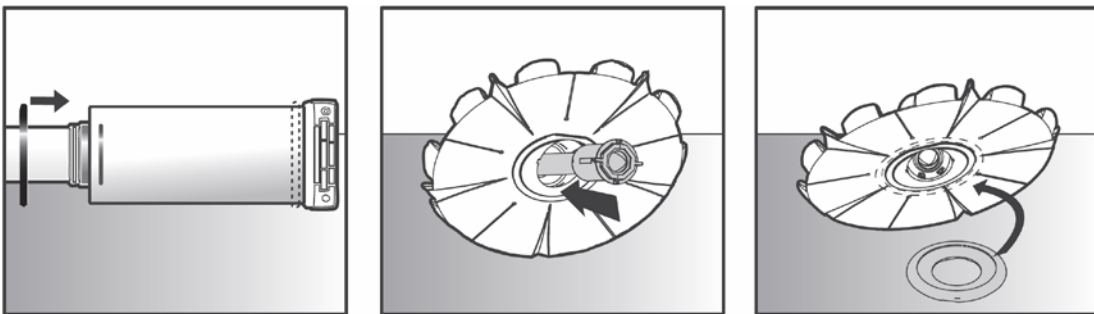
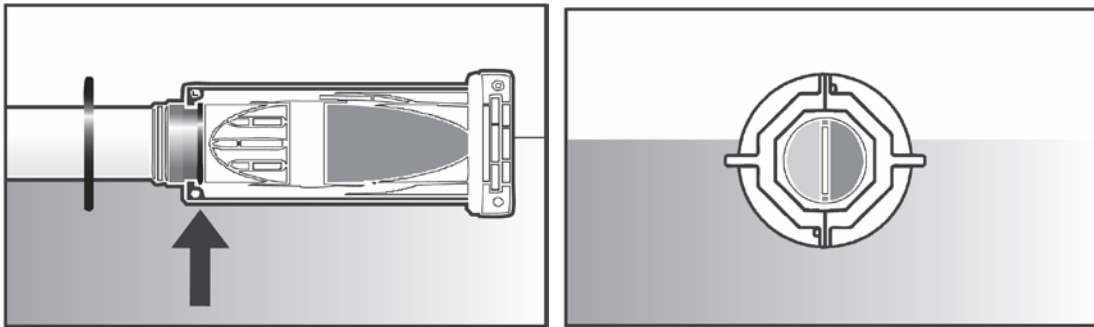
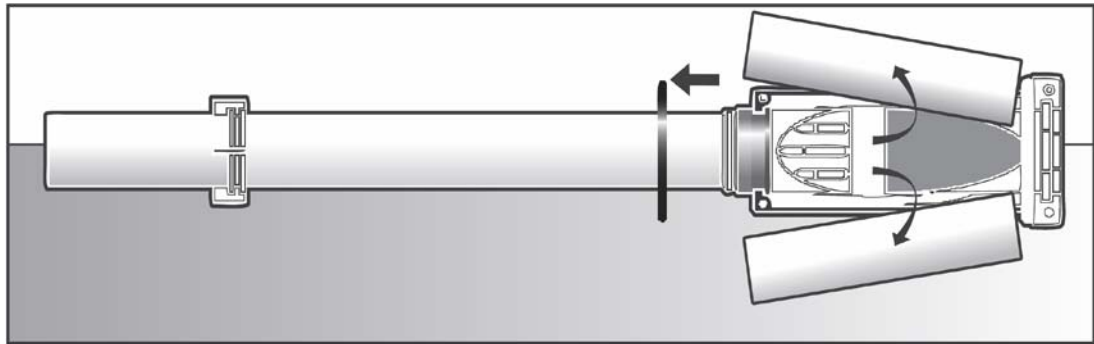
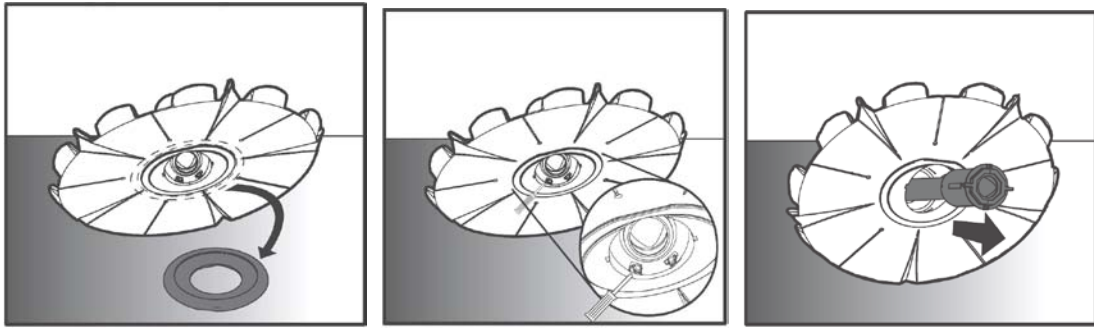
9. When storing your hose, insure each section is kept straight. Residual curvature in the hose will reduce proper function of the cleaner. Do not add chemicals to your pool while the cleaner is in the water.



10. To replace the Diaphragm, first remove the Wear Ring by flexing it off the Foot flange on which it is mounted. Remove the Retainer by prying one removal tab toward the center with a flat screwdriver and out. You can also grasp the tab with a pair of pliers and twist and pull the Retainer out of the Foot. Remove the Cassette Assembly. Slide the O-Ring off the Cassette. Separate the halves of the Cassette and pull the Diaphragm off the internal tube. Reverse the removal process to ready the cleaner for operation. Insure the Diaphragm is installed with its O-Ring on the upper end.

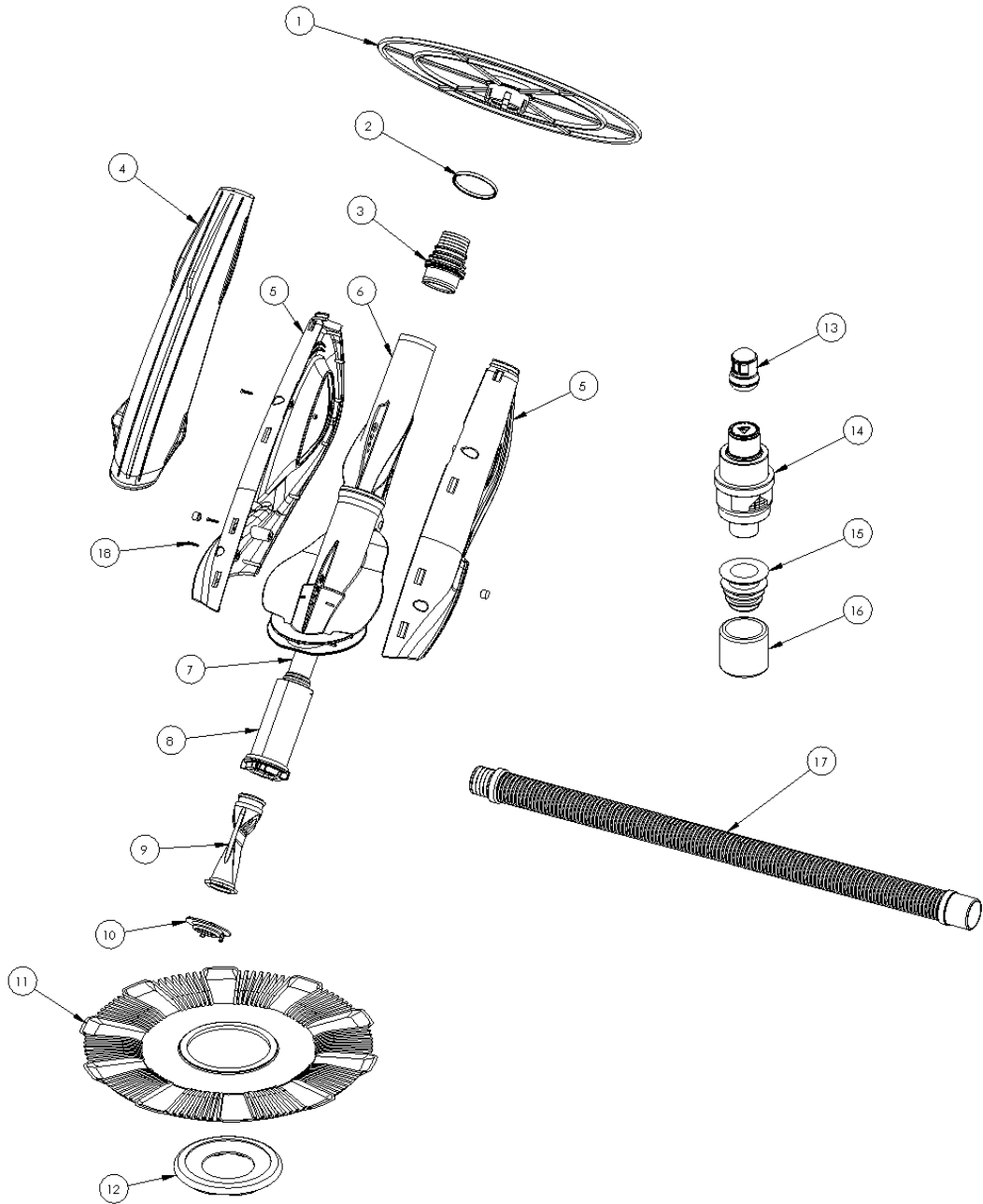
**USE ONLY HAYWARD GENUINE REPLACEMENT PARTS**





**Replacement Parts**

**USE ONLY HAYWARD GENUINE REPLACEMENT PARTS**



**SOME COMPONENTS SHOWN MAY NOT BE PART OF EVERY MODEL**

**USE ONLY HAYWARD GENUINE REPLACEMENT PARTS**

<b>Ref. No.</b>	<b>Part No.</b>	<b>Description</b>
1	DCX110	Halo
2	DCX334	Band
3	DCX212	Assy - Swivel
4	DCX332	Top Cover
5	DCX353	Body Halves
6	DCX315	Assy – Diaphragm Body
7	DCX108	Tube - Internal
8	DCX105	Cassette Assy
9	DCX105C	Diaphragm
10	DCX106	Retainer
11	DCX152	Disc
12	DCX150	Ring - Wear
13	DCX170	Diverter - Eyeball
14	DCX180	Regulator Flow
15	DCX172	Adapter - Hose
16	DCX174	Weight - Hose
17	DC176	Hose - Connector, M/F
18	DCX344	Set – Screws + Plugs

**USE ONLY HAYWARD GENUINE REPLACEMENT PARTS**

## Troubleshooting

### **My Cleaner Doesn't Start:**

- Check that the pump is on
- Check that the filter, the pump basket and the skimmer are clean
- Check the power of the pump. If it is too high, close another vacuum line
- Check that there is no leak at the pipe or that the hose is correctly plugged

### **My Cleaner Doesn't Move:**

- Check the seal : the "UP" indication must be on the top
- Check the balance of the flow between the cleaner and the main drain

### **My Cleaner is Stuck:**

- The swivel head must be free to turn
- Check the flow with the Regulator

### **The Cleaner Doesn't Clean the Entire Pool:**

- Check the length of the hose
- The hose must be stocked straight
- Install the Eyeball Diverter(s)

**USE ONLY HAYWARD GENUINE REPLACEMENT PARTS**

---



## Warranty

### HAYWARD® LIMITED WARRANTY

To original purchasers of this equipment, Hayward Pool Products, Inc., warrants its products to be free from defects in materials and workmanship for a period of ONE (1) year from the date of purchase. Hoses, seals, gauges, baskets and o-rings are warranted for defects in materials and workmanship for a period of thirty days.

Parts which are found defective during the warranty period, except as a result of freezing, flood, fire, accident, lightning, negligence, improper installation, use, or care, shall be repaired or replaced, at our option.

Proof of purchase is required for warranty service. To obtain warranty service or repair, please contact the place of purchase or the nearest authorized Hayward warranty service center. For additional Hayward dealer or service center information, please visit [www.haywardpool.com](http://www.haywardpool.com). No returns may be made directly to the factory without the express written authorization of Hayward Pool Products, Inc.

Hayward shall not be responsible for cartage, removal and/or reinstallation labor or any other such costs incurred in obtaining warranty replacements.

The Hayward Pool Products warranty does not apply to components manufactured by others. For such products, the warranty established by the respective manufacturer will apply.

Some states do not allow a limitation on how long an implied warranty lasts, or the exclusion or limitation of incidental or consequential damages, so the above limitation or exclusion may not apply to you.

This warranty gives you specific legal rights, and you may also have other rights, which vary from state to state.

Hayward Pool Products, Inc.  
620 Division Street  
Elizabeth, NJ 07207

\*Supersedes all previous publications.

**\*Retain this Warranty Certificate in a safe and convenient location for your records**

**TO REGISTER YOUR CLEANER IN OUR DATABASE, GO TO:**

**USA: [www.haywardnet.com](http://www.haywardnet.com) Canada: [www.haywardcanada.com](http://www.haywardcanada.com) Europe: [www.hayward.fr](http://www.hayward.fr)**

### Product Registration Information

DATE OF INSTALLATION \_\_\_\_\_

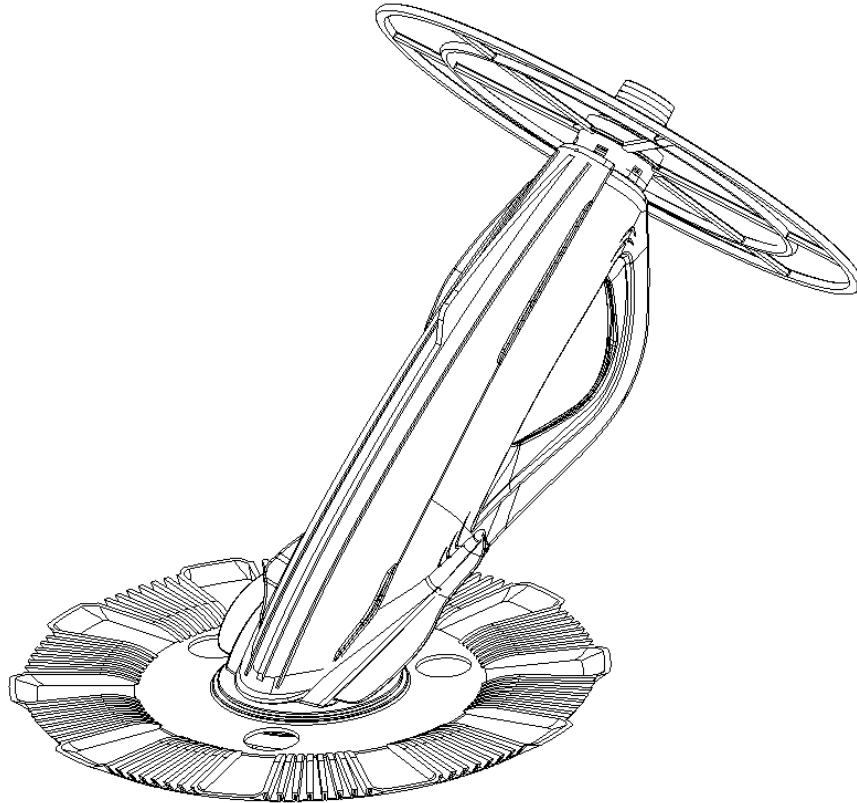
INITIAL PRESSURE GAUGE READING (CLEAN FILTER) \_\_\_\_\_

PUMP MODEL \_\_\_\_\_

**USE ONLY HAYWARD GENUINE REPLACEMENT PARTS**

## MANUAL DEL PROPIETARIO

### INSTALACIÓN, FUNCIONAMIENTO Y PIEZAS



DV5000

Siempre debe de observar las precauciones básicas de seguridad, entre las que se incluyen las siguientes: el incumplimiento de las instrucciones puede causar lesiones graves o la muerte.

**▲** Éste es el símbolo de alerta de seguridad. Cuando vea este símbolo en el equipo o en el manual, busque alguno de los siguientes términos de señal y esté alerta de posibles lesiones.

**▲ ADVERTENCIA** advierte sobre los riesgos que **pueden** causar lesiones graves, la muerte o daños importantes a la propiedad; ignorar esta señal implica un posible peligro.

**▲ PRECAUCIÓN** advierte sobre los riesgos que **causan** o que **pueden** causar lesiones o daños a la propiedad, de leves a moderados; ignorar esta señal implica un posible peligro. También puede advertir a los usuarios sobre acciones impredecibles o poco seguras.

La señal **AVISO** indica instrucciones especiales que son importantes, pero que no implican peligros.

### CONSERVE ESTE MANUAL DE INSTRUCCIONES

Hayward Pool Products  
Phone: 908-351-5400  
[www.haywardnet.com](http://www.haywardnet.com)

Hayward Pool Products Canada  
1-888-238-7665  
[www.haywardcanada.com](http://www.haywardcanada.com)

Hayward Pool Products Europe  
[www.hayward.fr](http://www.hayward.fr)



**⚠ ADVERTENCIA** - Lea y siga todas las instrucciones que contiene el presente manual del propietario, así como las del equipo. El incumplimiento de las instrucciones puede causar lesiones.

**⚠ ADVERTENCIA** – Se debe entregar el presente documento al propietario de la piscina, quien debe conservarlo en un lugar seguro.

**⚠ ADVERTENCIA** – Este artefacto no está destinado para el uso por parte de personas con discapacidades físicas, sensoriales o mentales reducidas, ni tampoco aquellos carentes de experiencia y conocimiento, salvo que hayan recibido capacitación sobre el uso de dicho artefacto o que sean supervisadas por una persona responsable de su seguridad.

**⚠ ADVERTENCIA** – No deje que los niños utilicen o jueguen con el limpiador.

**⚠ ADVERTENCIA** – Utilice únicamente piezas de repuesto auténticos de Hayward.

**⚠ PRECAUCIÓN** – Examine el limpiador y las mangueras con regularidad. No utilice el limpiador si está dañado o si tiene bordes irregulares visibles, ya que esto puede causar daños a la piscina.

**⚠ ADVERTENCIA** – Nunca use el limpiador cuando haya personas dentro de la piscina.

**⚠ PRECAUCIÓN** – Los revestimientos de vinilo pueden sufrir desgaste o daños, debido al envejecimiento, a los efectos de los productos químicos, a la corrosión o a la inexistencia de muros de contención; también puede ser la consecuencia de una instalación incorrecta. Antes de instalar la aspiradora, examine detenidamente el interior de la piscina. Si el revestimiento de vinilo está quebradizo o tiene rocas, raíces, arrugas, corrosión de las áreas metálicas en contacto con la parte inferior del revestimiento o si el material base o los muros de contención están dañados, no instale la aspiradora de piscina hasta que un profesional capacitado realice las reparaciones o las modificaciones necesarias. HAYWARD no se hará responsable de los daños del revestimiento causados por un limpiador que no esté en garantía o que se haya utilizado en una piscina que tenga un revestimiento gastado o deteriorado. Usted es responsable de los daños del revestimiento si utiliza la aspiradora de piscina en tales condiciones.

---

**UTILICE ÚNICAMENTE PIEZAS DE REPUESTO HAYWARD AUTÉNTICAS**

# Limpiador de succión de disco

## MANUAL DEL PROPIETARIO

Felicitaciones por la compra del sistema automático de aspiración de Hayward para la limpieza de su piscina. Su limpiador es la forma inteligente y eficaz de limpiar su piscina. Los Limpiadores de disco de Hayward, funcionan con las agrupaciones de sistema de filtro y están diseñados para trabajar bien con la mayoría de los sistemas. Por lo tanto el rendimiento del limpiador en la piscina será relativo a la fuente de alimentación. Ya que la operación y el rendimiento del limpiador son dependientes del sistema, existe una remota posibilidad de que sea necesario hacer una llamada de servicio para completar la instalación correcta de su limpiador. Y debido a que esta es una llamada relacionada con la instalación, será a costa del consumidor. Además, uno o más de los accesorios diseñados para el limpiador, pueden ser necesitados incluyendo secciones de mangueras adicionales (si es necesario) podrían ser aplicables a la instalación. Consulte a su distribuidor de partes de Hayward para la disponibilidad de los precios. Para Asistencia Técnica por favor llame a Hayward al:

USA: 908-355-7995

Canada: 1-888-238-7665

Europe: [www.hayward.fr](http://www.hayward.fr)

**PARA REGISTRAR EL LIMPIADOR EN NUESTRA BASE DE DATOS, VISITE:**

USA: [www.haywardnet.com](http://www.haywardnet.com) Canada: [www.haywardcanada.com](http://www.haywardcanada.com) Europe: [www.hayward.fr](http://www.hayward.fr)

**Conserve esta información**

**UTILICE ÚNICAMENTE PIEZAS DE REPUESTO HAYWARD AUTÉNTICAS**



Registre la siguiente información para su comodidad:

3) Fecha de compra

---

4) Número de serie

---

### Nota

Los limpiadores de disco de Hayward no se deben de utilizar para limpiar la piscina a principios de la primavera porque en tales ocasiones, la piscina tiene un recargo de desechos anormales. Antes de usar el limpiador, se le debe de hacer un mantenimiento a la piscina y dejarla en las condiciones de pre-instalación.

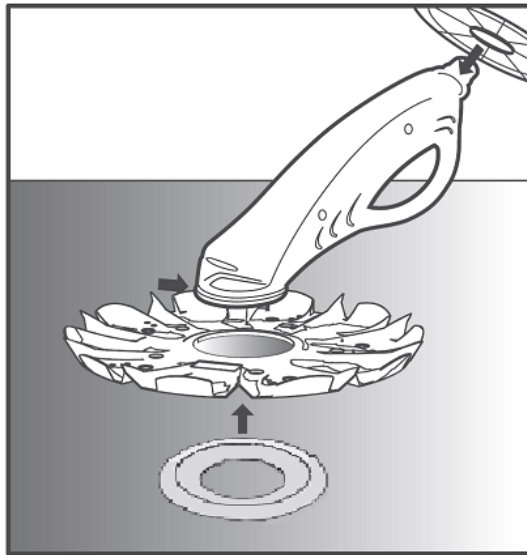
---

**UTILICE ÚNICAMENTE PIEZAS DE REPUESTO HAYWARD AUTÉNTICAS**

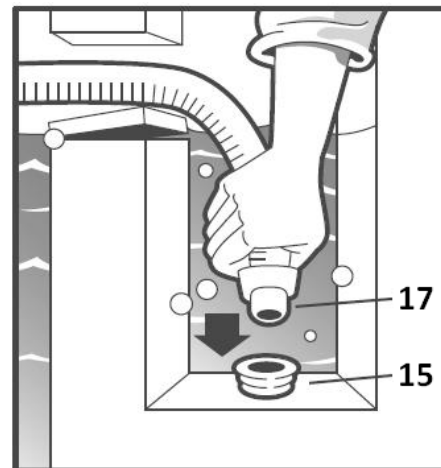
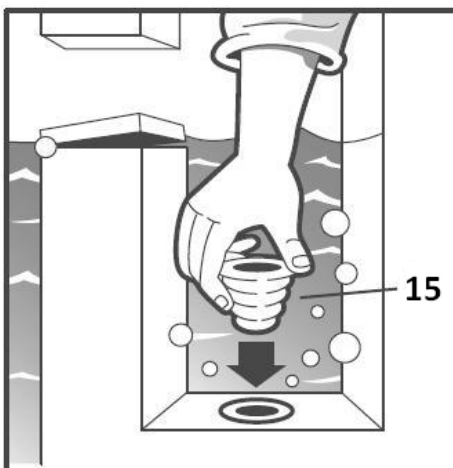
---

## Instalación

1. Deslice el disco por el cuerpo del limpiador, asegurándose de que el lado que dice "UP" se encuentre hacia arriba. Coloque un lado del borde interno del disco en el entalle del pie, tire del disco y flexiónelo hasta que el borde interno quede totalmente en el entalle y el disco gire con facilidad. Deslice el anillo de desgaste por el borde inferior del pie, asegurándose de que el lado escalonado esté hacia abajo. Flexione el borde superior sobre el borde inferior hasta que estén totalmente juntos y el anillo gire libremente.



2. Apague la bomba.
3. Si conecta el limpiador a través de una toma de succión, inserte el adaptador en la salida de dicha toma de succión, la primera manguera a través de la entrada de la toma de succión y el extremo macho en el adaptador.

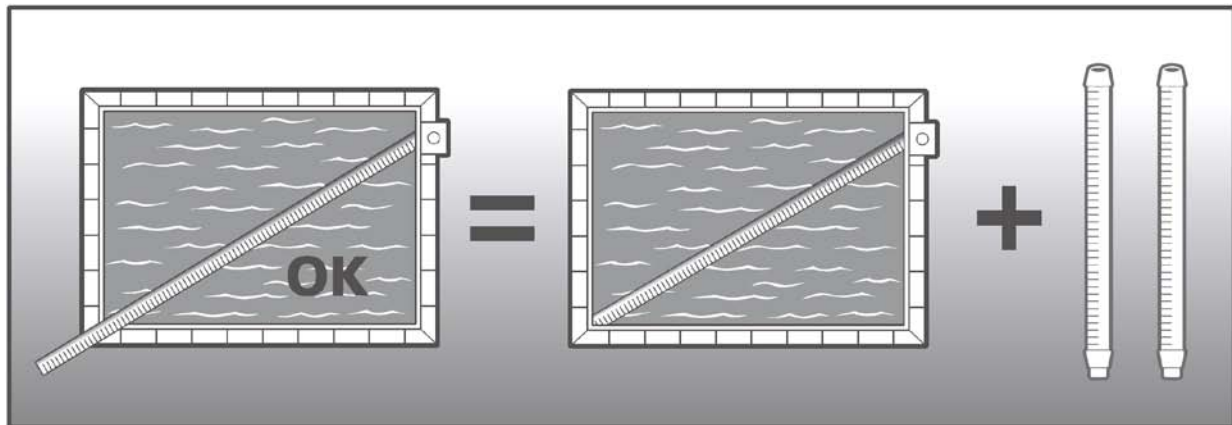


4. Si conecta el limpiador a través de la salida especificada de succión, levante la tapa e inserte el extremo macho de la primera manguera directamente en la salida.

**UTILICE ÚNICAMENTE PIEZAS DE REPUESTO HAYWARD AUTÉNTICAS**



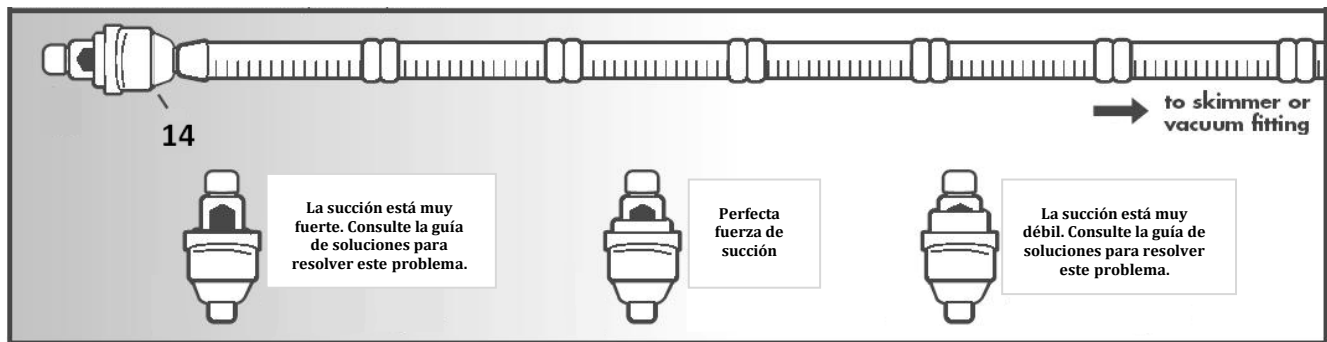
5. Asegúrese de conectar la cantidad de manguera suficiente para cubrir toda la piscina.



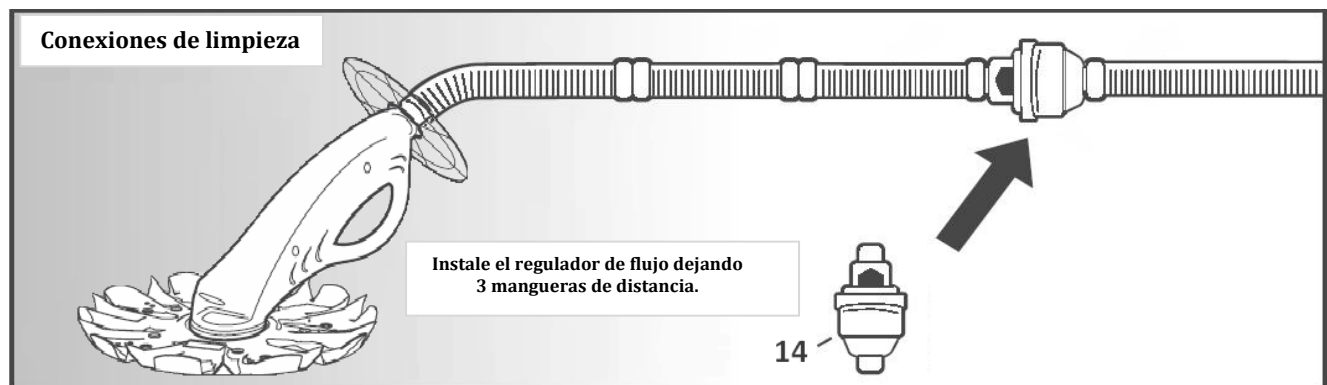
6. Conecte el regulador de flujo a la tapa plástica que se encuentra al final de las mangueras. Encienda la bomba asegurándose de que el regulador de flujo permanezca debajo del agua. Espere hasta que la bomba haya extraído todo el aire de las mangueras y funcione normalmente. Mantenga el regulador de flujo bajo el agua y observe la apertura del triángulo de ajuste. Ajuste el equilibrio entre el retorno inferior y la salida de la toma de succión o salida específica hasta que el segundo borde del triángulo esté visible. Consulte la etiqueta de indicación del regulador de flujo. Ignore el paso siguiente si el sistema no suministra el flujo suficiente al limpiador según lo que indique el regulador, porque es posible que no limpie adecuadamente. Para obtener ayuda, debe comunicarse con una empresa local de servicios para piscinas o con el departamento de servicio

**UTILICE ÚNICAMENTE PIEZAS DE REPUESTO HAYWARD AUTÉNTICAS**

técnico de Hayward. Si no puede reducir el flujo del limpiador, según lo indica el regulador, avance al paso 7.

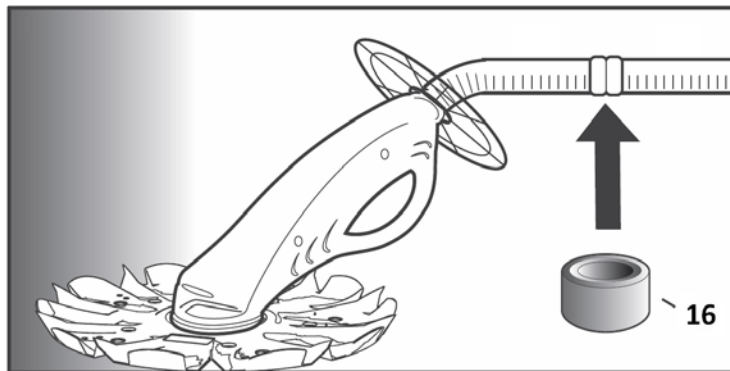


7. Si no puede ajustar el flujo de acuerdo con el punto óptimo del regulador de flujo, deberá insertar el regulador alineado con las mangueras (sin la tapa). Esto puede hacerse en cualquier punto del trayecto del flujo desde el limpiador hasta la salida de la toma de succión o salida especificada, pero inicialmente se puede colocar entre la tercera y la cuarta manguera. El regulador debe permanecer debajo del agua en todo momento, para que el limpiador funcione correctamente.

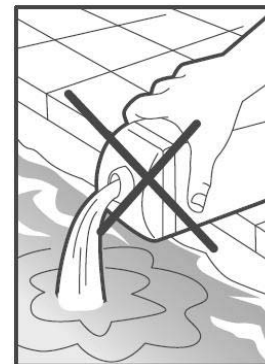
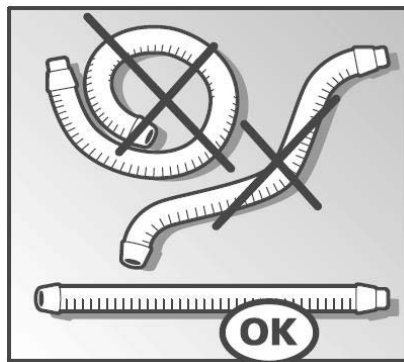


**UTILICE ÚNICAMENTE PIEZAS DE REPUESTO HAYWARD AUTÉNTICAS**

8. Si el limpiador no se mueve por la piscina con el disco en pleno contacto con el fondo a aproximadamente 45 grados, es posible que se necesite instalar el peso de la manguera. Comience colocando el peso en la junta entre la primera y la segunda manguera del limpiador. Observe el movimiento por toda la piscina antes de reemplazarlo. Ajuste el lugar según sea necesario para conseguir un buen contacto con el fondo de la piscina.

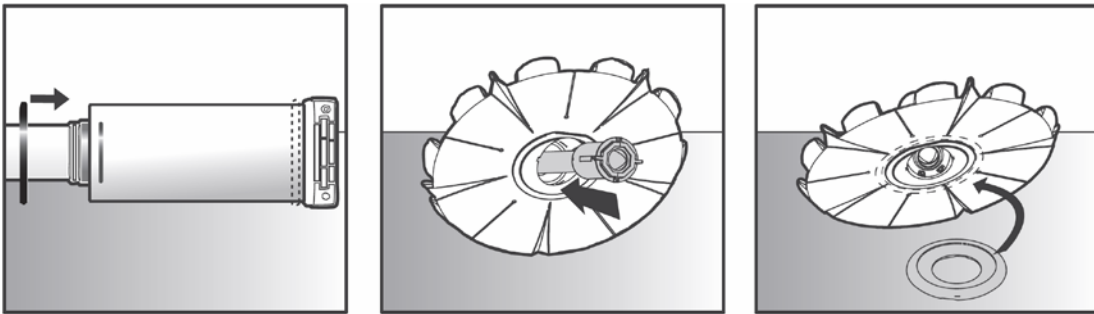
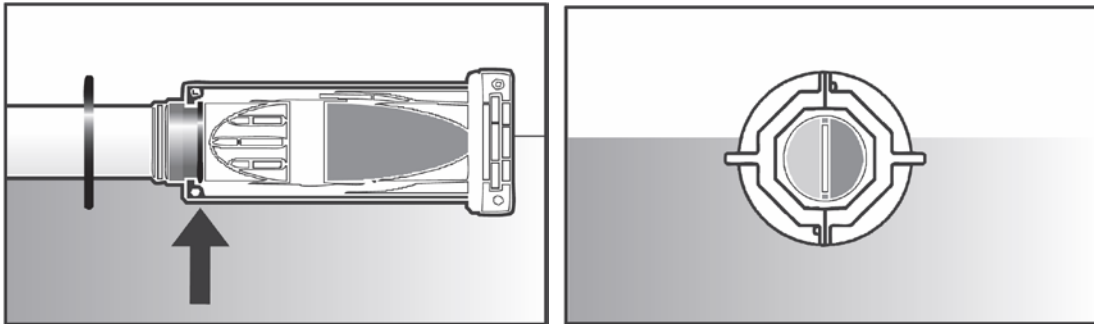
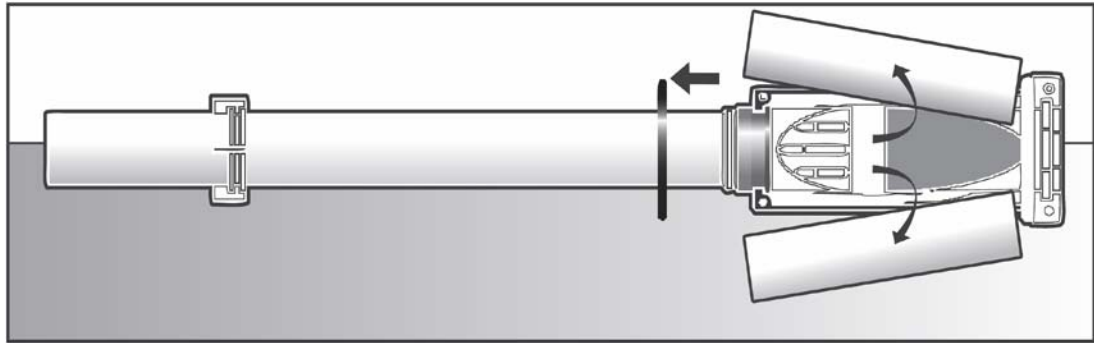
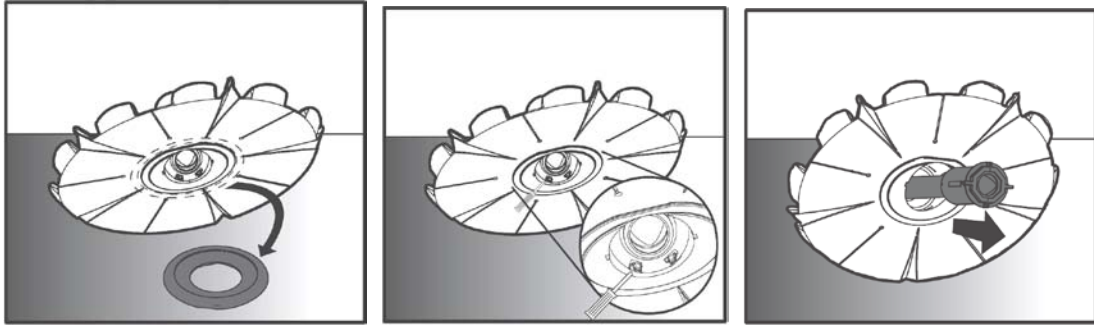


9. Cuando almacene la manguera, asegúrese de que cada sección se mantenga en posición recta. La curvatura residual de la manguera afectará la función correcta del limpiador. No eche productos químicos en la piscina cuando el limpiador esté en el agua.



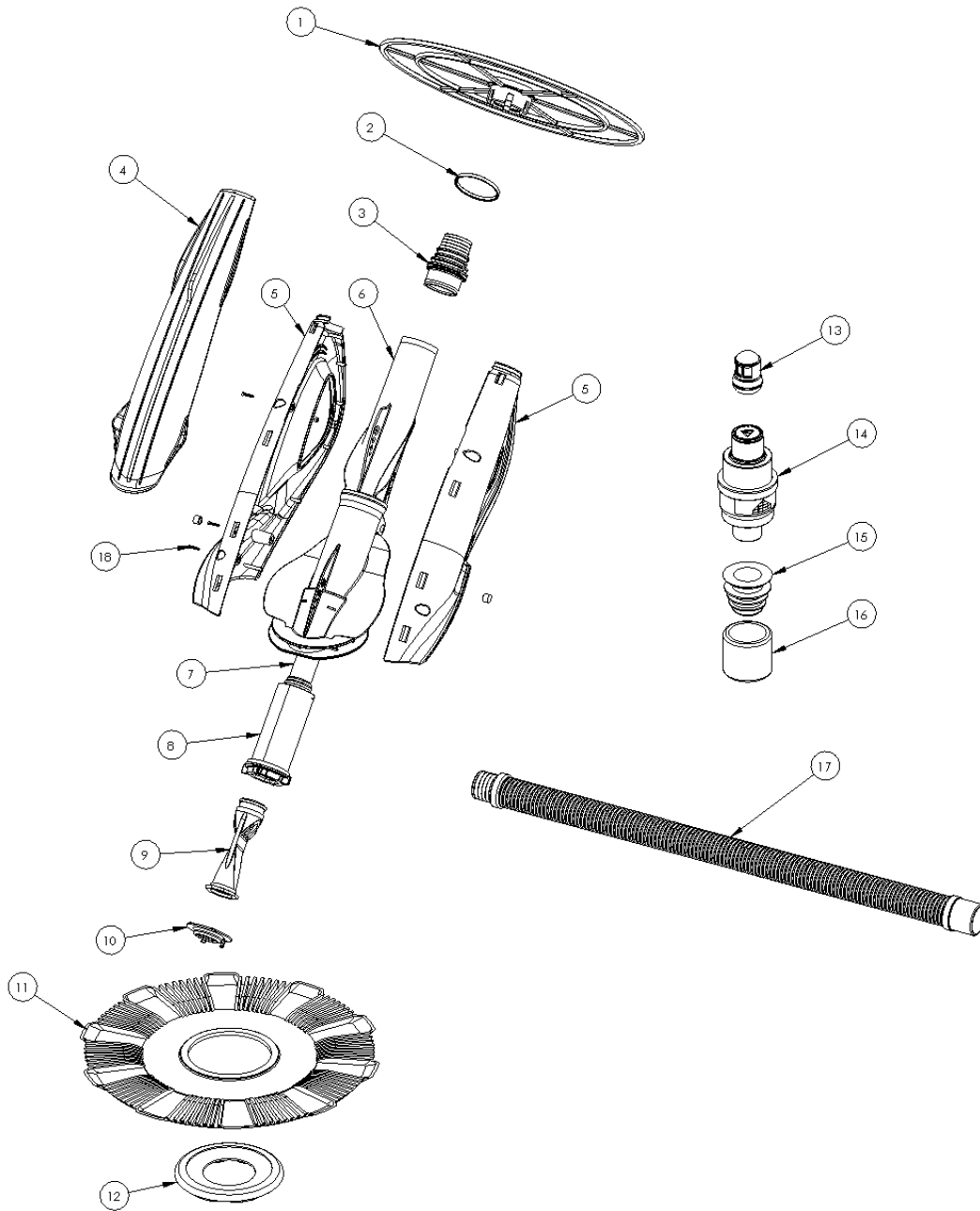
10. Para reemplazar el diafragma, primero quite el anillo de desgaste quitándolo del borde del pie en el que está colocado, flexionándolo. Quite el retén levantando una lengüeta de desmontaje hacia el centro y hacia afuera con un destornillador de punta plana. También puede coger la lengüeta con un par de pinzas, girar el retén y tirar de él para quitarlo del pie. Quite la unidad de casete. Deslice la junta tórica del casete. Separe las mitades del casete y extraiga el diafragma del tubo interno. Invierta el proceso de desmontaje para dejar el limpiador listo para su uso. Asegúrese de que el diafragma se instale con la junta tórica en el extremo superior.

**UTILICE ÚNICAMENTE PIEZAS DE REPUESTO HAYWARD AUTÉNTICAS**



**UTILICE ÚNICAMENTE PIEZAS DE REPUESTO HAYWARD AUTÉNTICAS**

**Piezas de repuesto**



**ES POSIBLE QUE ALGUNOS COMPONENTES MOSTRADOS NO FORMEN PARTE DE TODOS LOS MODELOS.**

**UTILICE ÚNICAMENTE PIEZAS DE REPUESTO HAYWARD AUTÉNTICAS**

<b>Ref. N.º</b>	<b>N.º de pieza</b>	<b>Descripción</b>
1	DCX110	Corona
2	DCX334	Aro
3	DCX212	Unidad - Eslabón giratorio
4	DCX332	Tapa superior
5	DCX353	Mitades del cuerpo
6	DCX315	Unidad - Cuerpo del diafragma
7	DCX108	Tubo - Interno
8	DCX105	Unidad de casete
9	DCX105C	Diafragma
10	DCX106	Retén
11	DCX152	Disco
12	DCX150	Anillo - Desgaste
13	DCX170	Desviador - Balín
14	DCX180	Regulador de flujo
15	DCX172	Adaptador - Manguera
16	DCX174	Peso - Manguera
17	DC176	Manguera - Conector M/H
18	DCX344	Juego – Tornillos + clavijas

**UTILICE ÚNICAMENTE PIEZAS DE REPUESTO HAYWARD AUTÉNTICAS**



## Solución de problemas

### El limpiador no arranca:

- Verifique que la bomba esté encendida.
- Verifique que el filtro, la cesta de la bomba y la toma de succión estén limpios.
- Verifique la potencia de la bomba. Si está demasiado elevada, cierre otra línea de vacío.
- Verifique que no haya fugas en el tubo y que la manguera esté conectada correctamente.

### El limpiador no se mueve:

- Verifique el sello: el indicador "UP" debe estar hacia arriba.
- Verifique el equilibrio del flujo entre el limpiador y el drenaje principal.

### El limpiador está trabado:

- El cabezal del eslabón debe girar libremente.
- Verifique el flujo con el regulador.

### El limpiador no limpia toda la piscina:

- Verifique la manguera.
- Las mangueras deben de guardarse en posición recta.
- Instale los desviadores de balón.

---

**UTILICE ÚNICAMENTE PIEZAS DE REPUESTO HAYWARD AUTÉNTICAS**



## Garantía

### **GARANTÍA LIMITADA DE HAYWARD®**

A los compradores originales de este equipo, Hayward Pool Products, Inc. les garantiza durante un período de UN (1) año desde la fecha de la compra, que sus productos no tienen defectos en los materiales ni de fabricación. Las mangueras, los sellos, los indicadores, los costos y las juntas tóricas están garantizados contra defectos en los materiales y en la fabricación, durante un período de treinta días.

Se repararán o reemplazarán, según decidamos, las piezas que se determine que tienen defectos durante el período de garantía, excepto si esto es resultado de congelamiento, inundaciones, incendios, accidentes, descargas eléctricas, negligencia, e instalación, uso o cuidado inadecuados.

Se necesita un comprobante de la compra para obtener el servicio de garantía. A tal fin, comuníquese con el establecimiento donde hizo la compra o con el centro más cercano de servicios de garantía autorizado de Hayward. Para obtener más información sobre los distribuidores o los centros de servicios de Hayward, visite [www.haywardpool.com](http://www.haywardpool.com). No se pueden hacer devoluciones directamente a la fábrica, sin la autorización expresa y por escrito de Hayward Pool Products, Inc.

Hayward no se hará responsable del traslado, la remoción o los costos de la mano de obra para reinstalación, ni de ningún otro gasto similar en el que se incurra para obtener reemplazos de garantía.

La garantía de Hayward Pool Products no se aplica a los componentes fabricados por terceros. Para tales productos, se aplicará la garantía establecida por el fabricante respectivo.

Algunos estados no permiten un límite para la duración de una garantía implícita, ni la exclusión o la limitación de daños incidentales o resultantes, de modo que es posible que la limitación o la exclusión mencionadas previamente no le correspondan.

La presente garantía le otorga derechos legales específicos. Además, es posible que tenga otros derechos, los cuales varían según el estado.

**\*Conserve el presente Certificado de Garantía en un lugar seguro y conveniente para su consulta.**

**PARA REGISTRAR EL LIMPIADOR EN NUESTRA BASE DE DATOS, VISITE:**  
USA: [www.haywardnet.com](http://www.haywardnet.com) Canada: [www.haywardcanada.com](http://www.haywardcanada.com) Europe: [www.hayward.fr](http://www.hayward.fr)

### **Información de registro del producto**

FECHA DE INSTALACIÓN \_\_\_\_\_

LECTURA INICIAL DEL MANÓMETRO (FILTRO LIMPIO)

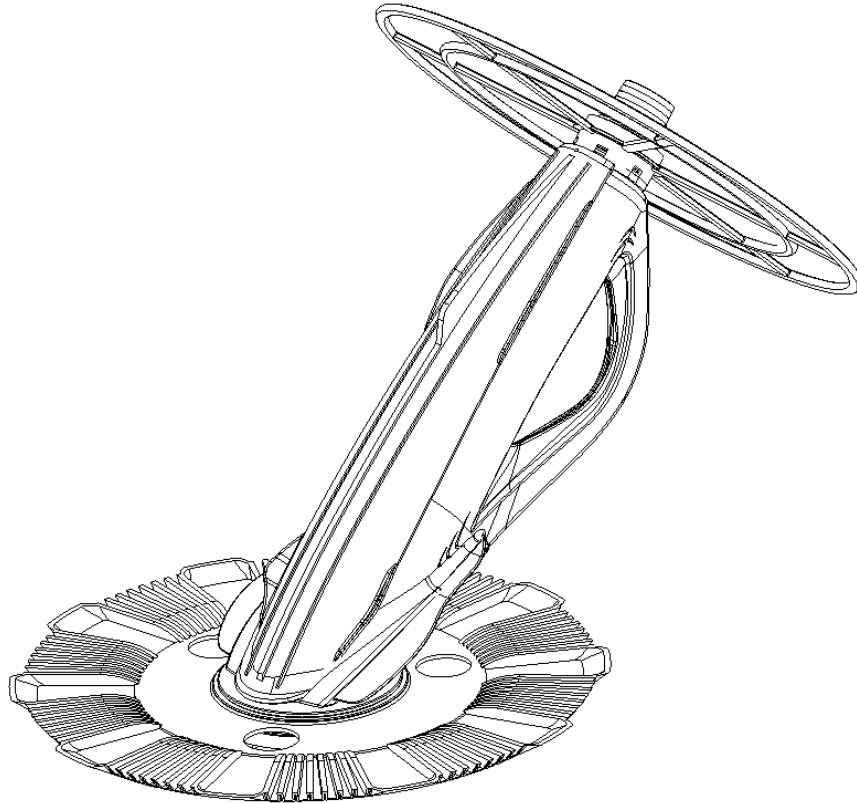
\_\_\_\_\_

MODELO DE BOMBA \_\_\_\_\_

**UTILICE ÚNICAMENTE PIEZAS DE REPUESTO HAYWARD AUTÉNTICAS**

## GUIDE DE L'UTILISATEUR

### INSTALLATION, UTILISATION ET PIÈCES



DV5000

Les consignes de sécurité de base doivent toujours être suivies, notamment : le non-respect des instructions peut entraîner des blessures graves ou le décès.

**▲** Ce symbole vise à attirer votre attention sur la sécurité. Lorsque vous voyez ce symbole sur votre équipement ou dans ce guide, recherchez l'un des mots-indicateurs suivants et soyez attentif au risque de blessure corporelle.

**▲ AVERTISSEMENT** Ce symbole vous signale des risques **pouvant** causer des blessures corporelles graves, le décès ou des dégâts importants, et qui, s'ils sont ignorés, peuvent présenter un danger possible.

**▲ MISE EN GARDE** Ce symbole vous signale des risques qui **causeront** ou **peuvent** causer des blessures corporelles ou des dégâts légers à modérés, et qui, s'ils sont ignorés, peuvent présenter un danger possible. Il peut aussi porter à la connaissance du consommateur des actes imprévisibles et risqués.

L'étiquette **REMARQUE** désigne des instructions spéciales de nature importante qui ne sont pas associées à des risques.

### CONSERVEZ CE MODE D'EMPLOI

Hayward Pool Products  
Phone: 908-351-5400  
[www.haywardnet.com](http://www.haywardnet.com)

Hayward Pool Products Canada  
1-888-238-7665  
[www.haywardcanada.com](http://www.haywardcanada.com)

Hayward Pool Products Europe  
[www.hayward.fr](http://www.hayward.fr)



**⚠ AVERTISSEMENT** – Lisez et suivez l'ensemble des instructions figurant dans le présent guide de l'utilisateur et sur le matériel. Le non-respect des instructions peut entraîner des blessures graves.

**⚠ AVERTISSEMENT** – Ce document doit être remis au propriétaire de la piscine et doit être conservé par le propriétaire dans un endroit sûr.

**⚠ AVERTISSEMENT** – Cet appareil ne doit pas être utilisé par des personnes aux capacités physiques, sensorielles ou mentales réduites, ou manquant d'expérience ou de connaissances, à moins qu'elles soient placées sous la supervision d'une personne chargée de leur sécurité ou qu'elles en aient reçu les directives nécessaires à l'utilisation de cet appareil.

**⚠ AVERTISSEMENT** – Ne laissez pas les enfants utiliser le nettoyeur ou jouer avec le nettoyeur.

**⚠ AVERTISSEMENT** – Utilisez uniquement des pièces de rechange Hayward authentiques.

**⚠ MISE EN GARDE** – Examinez régulièrement le nettoyeur et les tuyaux; n'utilisez pas l'appareil s'il est endommagé ou si une usure des bords est visible sur le nettoyeur, car cela pourrait endommager la piscine.

**⚠ AVERTISSEMENT** – Ne jamais utiliser le nettoyeur lorsque des personnes se trouvent dans la piscine.

**⚠ MISE EN GARDE** – Les toiles en vinyle sont sujettes à la détérioration ou aux dommages causés par l'usure, les effets des produits chimiques, la corrosion, la défaillance des murs porteurs; mais également par une installation inappropriée. Avant d'installer votre aspirateur de piscine, examinez soigneusement l'intérieur de votre piscine. Si la toile en vinyle apparaît friable, si des pierres, des racines, des plis ou des pièces métalliques corrodées se trouvent sous cette toile, ou si l'assise ou les murs porteurs sont endommagés, adressez-vous à un professionnel compétent afin qu'il fasse les réparations de mise avant l'installation de votre appareil. HAYWARD ne sera pas responsable d'une toile endommagée par un nettoyeur qui n'est plus sous garantie ou par un nettoyeur utilisé dans une piscine dont la toile est usée ou détériorée. Vous êtes responsable des dommages causés à la toile si vous utilisez l'aspirateur de piscine dans ces conditions.

---

**UTILISEZ UNIQUEMENT DES PIÈCES DE RECHANGE ORIGINALES DE MARQUE HAYWARD**

# Nettoyeur à disque par aspiration

## GUIDE DE L'UTILISATEUR

Félicitations pour votre achat du système de nettoyage de piscine automatique par aspiration Hayward. Votre nettoyeur est un choix intelligent et efficace pour nettoyer votre piscine. Les nettoyeurs à disque Hayward sont alimentés par le système de filtration de votre piscine et sont conçus pour fonctionner correctement avec la plupart des systèmes. Ainsi, la performance du nettoyeur de votre piscine sera proportionnelle à cette source d'alimentation. Comme le fonctionnement et la performance du nettoyeur dépendent du système, il existe une très faible probabilité qu'une « intervention » soit nécessaire pour finaliser l'installation appropriée de votre nettoyeur. Comme cette intervention est liée à l'installation, elle est à la charge du client. De plus, certains accessoires conçus pour le nettoyeur, y compris les sections supplémentaires de tuyau (au besoin), peuvent s'appliquer à votre installation. Consultez votre détaillant Hayward pour le tarif et la disponibilité. Pour le soutien technique, communiquez avec Hayward au:

USA: 908-355-7995  
Canada: 1-888-238-7665  
Europe: [www.hayward.fr](http://www.hayward.fr)

**POUR ENREGISTRER VOTRE NETTOYEUR DANS NOTRE BASE  
DE DONNÉES, ALLEZ SUR LE SITE :**

USA: [www.haywardnet.com](http://www.haywardnet.com) Canada: [www.haywardcanada.com](http://www.haywardcanada.com) Europe: [www.hayward.fr](http://www.hayward.fr)

**Pour votre dossier**

**UTILISEZ UNIQUEMENT DES PIÈCES DE RECHANGE ORIGINALES DE MARQUE HAYWARD**

Conservez les renseignements suivants pour votre commodité :

5) Date d'achat

---

6) Numéro de série

---

### **Remarque**

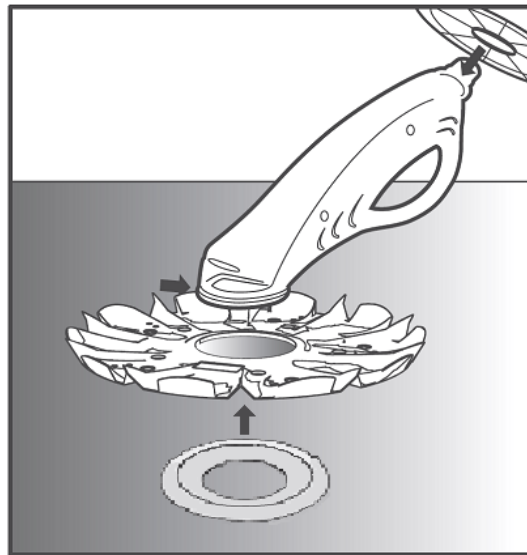
Les nettoyeurs à disque Hayward ne doivent pas être utilisés pour nettoyer la piscine avant le démarrage de printemps. Pour ces nettoyages, lorsque votre piscine contient un nombre anormalement élevé de débris, les étapes d'entretien doivent être suivies pour remettre la piscine dans des conditions de « pré-installation ».

---

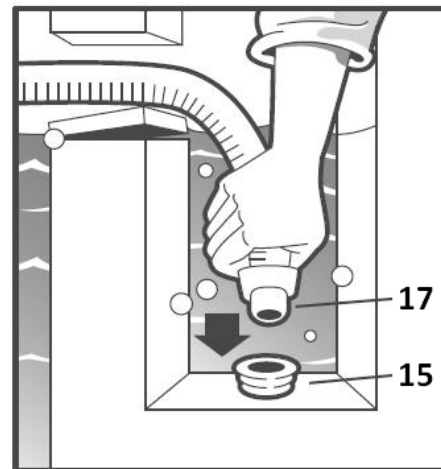
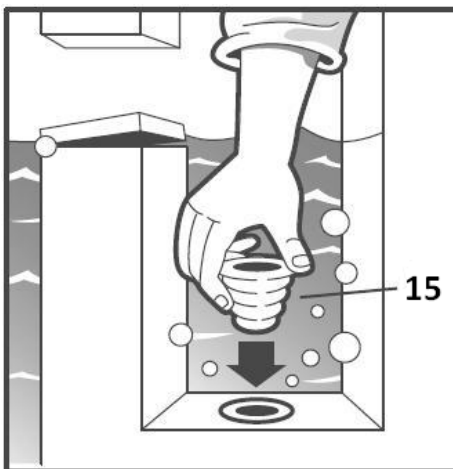
**UTILISEZ UNIQUEMENT DES PIÈCES DE RECHANGE ORIGINALES DE MARQUE HAYWARD**

## Installation

1. Glissez le disque sur le châssis du nettoyeur en vous assurant que le côté portant la mention « UP » est situé vers le haut. Insérez un côté du bord intérieur du disque dans la rainure du pied puis tirez et pliez le disque jusqu'à ce que le bord intérieur soit complètement dans la rainure et que le disque tourne facilement. Glissez la collerette d'étanchéité sur la bride du bas du pied en vous assurant que le côté échelonné est orienté vers le bas. Pliez le bord supérieur sur la bride jusqu'à ce qu'il soit entièrement au-dessus de celle-ci et que la collerette tourne librement.

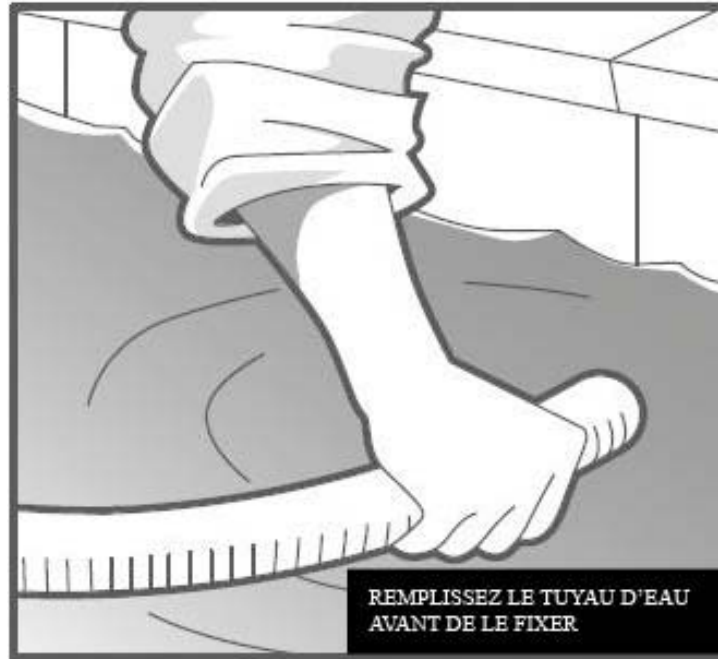


2. Éteignez votre pompe.
3. Si vous utilisez votre écumoire pour la connexion, insérez l'adaptateur dans la sortie de l'écumoire, le premier tuyau dans l'entrée de l'écumoire et son extrémité mâle dans l'adaptateur.

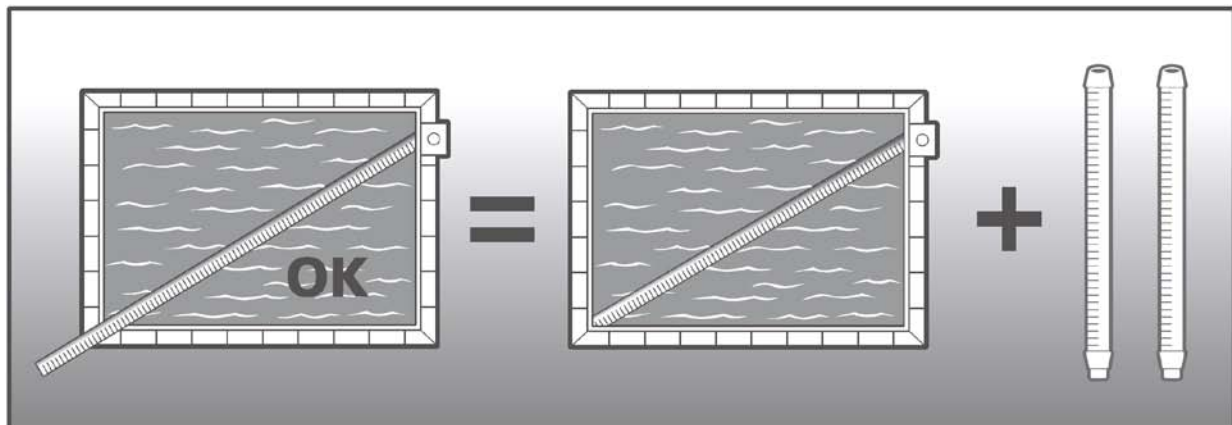


4. Si vous utilisez la sortie dédiée de l'orifice d'aspiration, soulevez le cache et insérez l'extrémité mâle du premier tuyau directement dans la sortie.

**UTILISEZ UNIQUEMENT DES PIÈCES DE RECHANGE ORIGINALES DE MARQUE HAYWARD**



5. Assurez-vous de disposer d'une longueur de tuyau suffisante pour couvrir votre piscine.

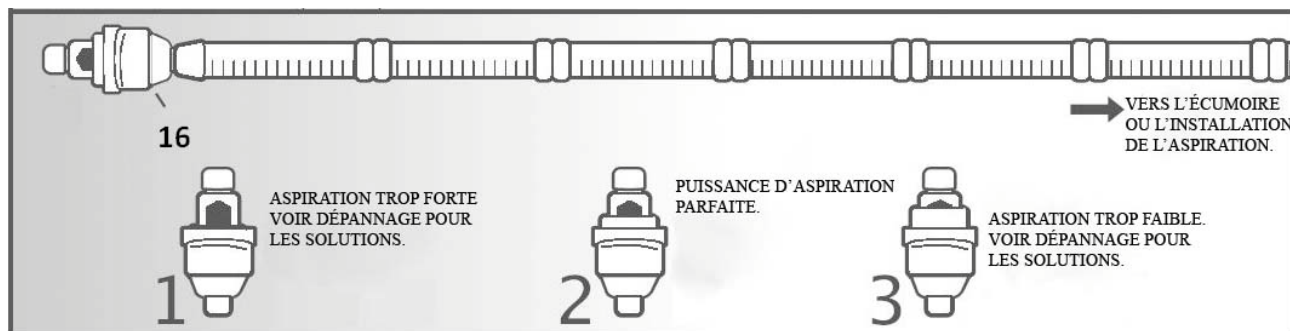


6. Attachez le régulateur de flux avec son couvercle en plastique sur le dessus à l'extrémité des tuyaux. Mettez votre pompe en marche et vous assurant que le régulateur de flux reste sous la surface de l'eau. Attendez que la pompe ait retiré tout l'air des tuyaux et qu'elle fonctionne normalement. Alors que le régulateur de flux est sous l'eau, examinez le réglage de son ouverture triangulaire. Ajustez l'équilibre entre le retour du fond et la sortie dédiée/de l'écumoire jusqu'à ce que la seconde arête du triangle soit tout juste visible. Reportez-vous à l'étiquette d'indication sur le régulateur de flux. N'effectuez pas l'étape suivante. Si votre système ne peut pas fournir de flux suffisant au nettoyeur, comme cela est indiqué par le régulateur, il est possible qu'il ne nettoie pas de façon appropriée. Vous devriez communiquer avec l'entreprise chargée de l'entretien de votre piscine ou

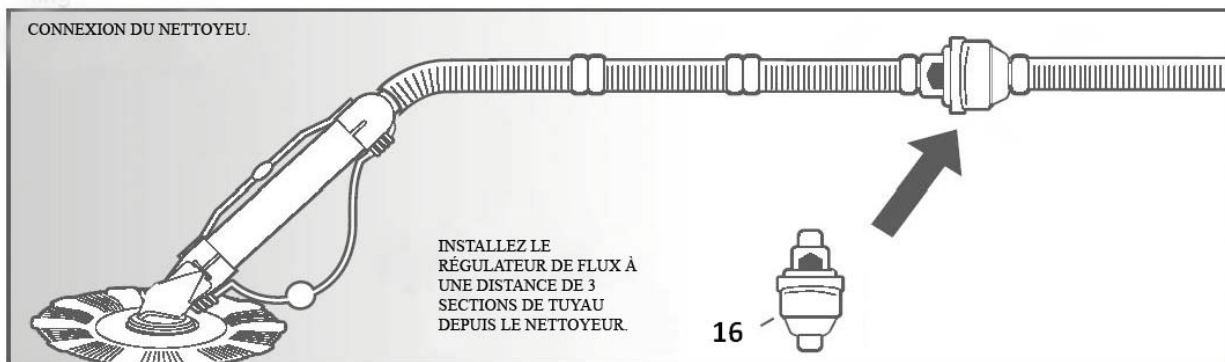
**UTILISEZ UNIQUEMENT DES PIÈCES DE RECHANGE ORIGINALES DE MARQUE HAYWARD**



avec le service technique Hayward pour obtenir de l'aide. Si vous ne pouvez pas réduire le flux se déversant vers le nettoyeur, comme cela est indiqué par le régulateur, allez à l'étape 7.

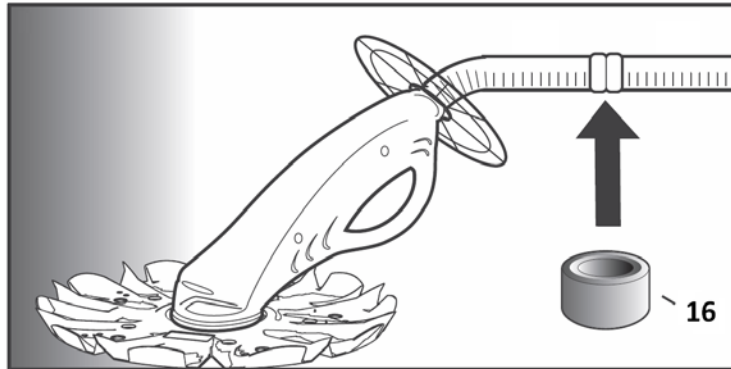


7. Si vous ne pouvez pas ajuster le flux jusqu'au niveau optimal du régulateur, vous devrez insérer le régulateur dans le prolongement des tuyaux (sans le couvercle). Cela peut être à n'importe quel endroit le long de l'alimentation du flux, depuis le nettoyeur jusqu'à l'écumoire/la sortie dédiée, mais il doit être initialement placé entre le troisième et le quatrième tuyau. Le régulateur doit rester sous la surface de l'eau à tout moment afin d'assurer le bon fonctionnement du nettoyeur.

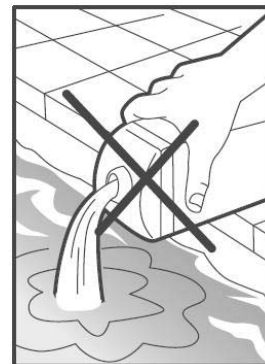
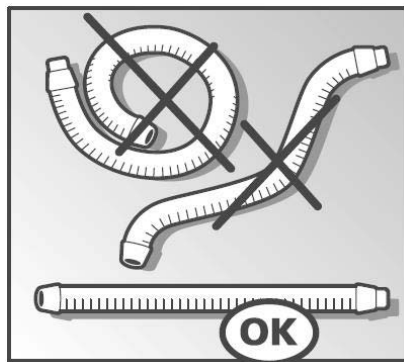


**UTILISEZ UNIQUEMENT DES PIÈCES DE RECHANGE ORIGINALES DE MARQUE HAYWARD**

8. Si votre nettoyeur ne se déplace pas dans la piscine lorsque le disque est totalement en contact avec le fond, à environ 45 degrés, l'installation d'un contrepoids pour tuyau peut être nécessaire. Commencez par placer le contrepoids à la jonction entre le premier et le second tuyau à partir du nettoyeur. Examinez ses déplacements dans toute votre piscine avant de changer. Ajustez son emplacement au besoin afin d'obtenir un bon contact avec le fond.

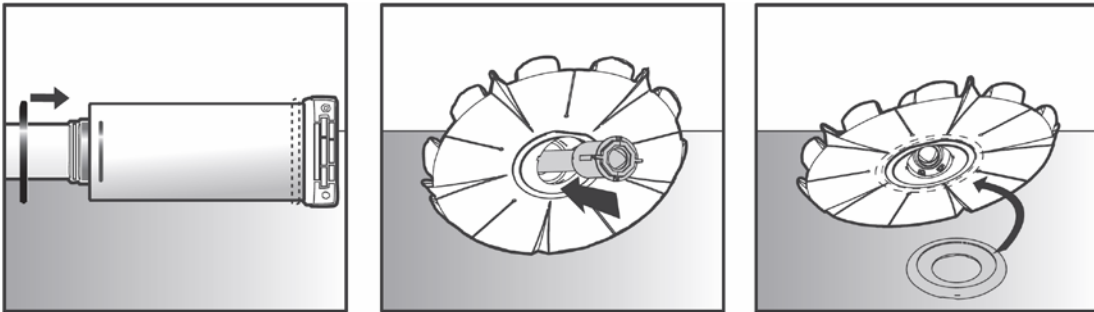
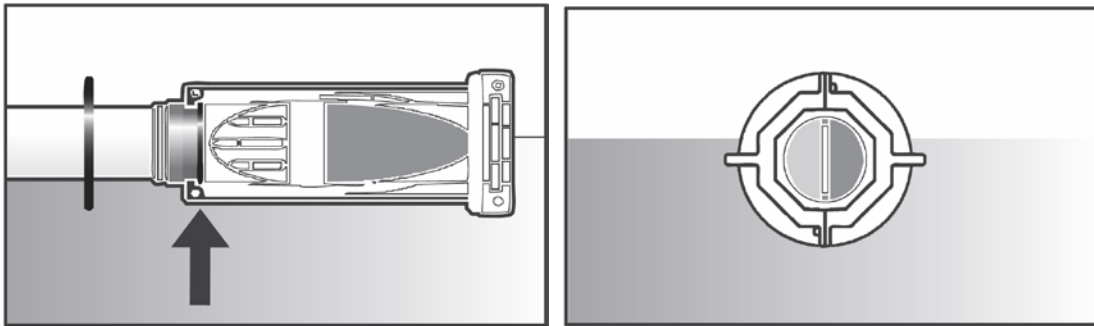
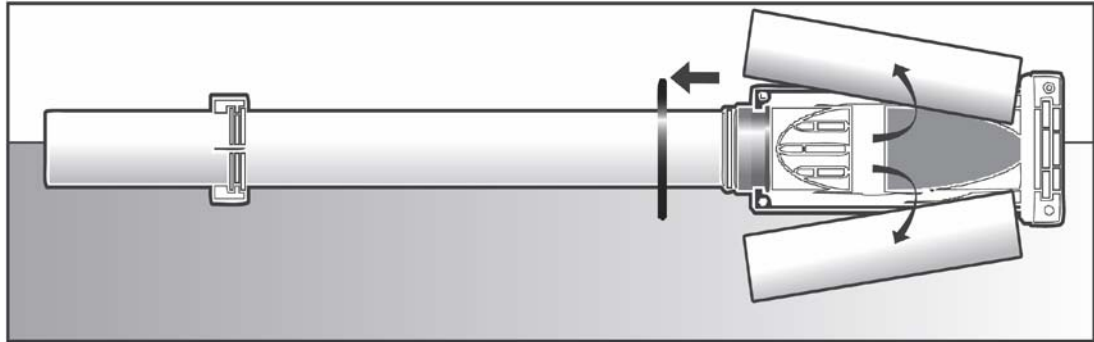
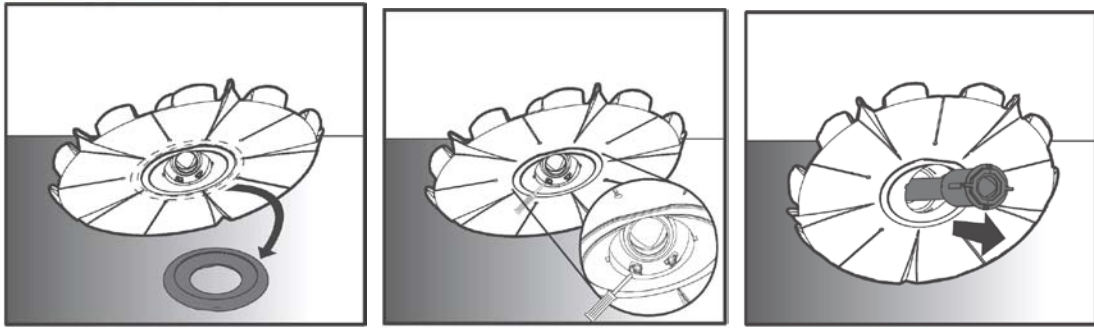


9. Lorsque vous entreposez votre tuyau, assurez-vous que chaque section reste droite. Une courbure résiduelle dans le tuyau réduira la capacité de fonctionnement normale du nettoyeur. N'ajoutez pas de produits chimiques dans votre piscine lorsque le nettoyeur se trouve dans l'eau.



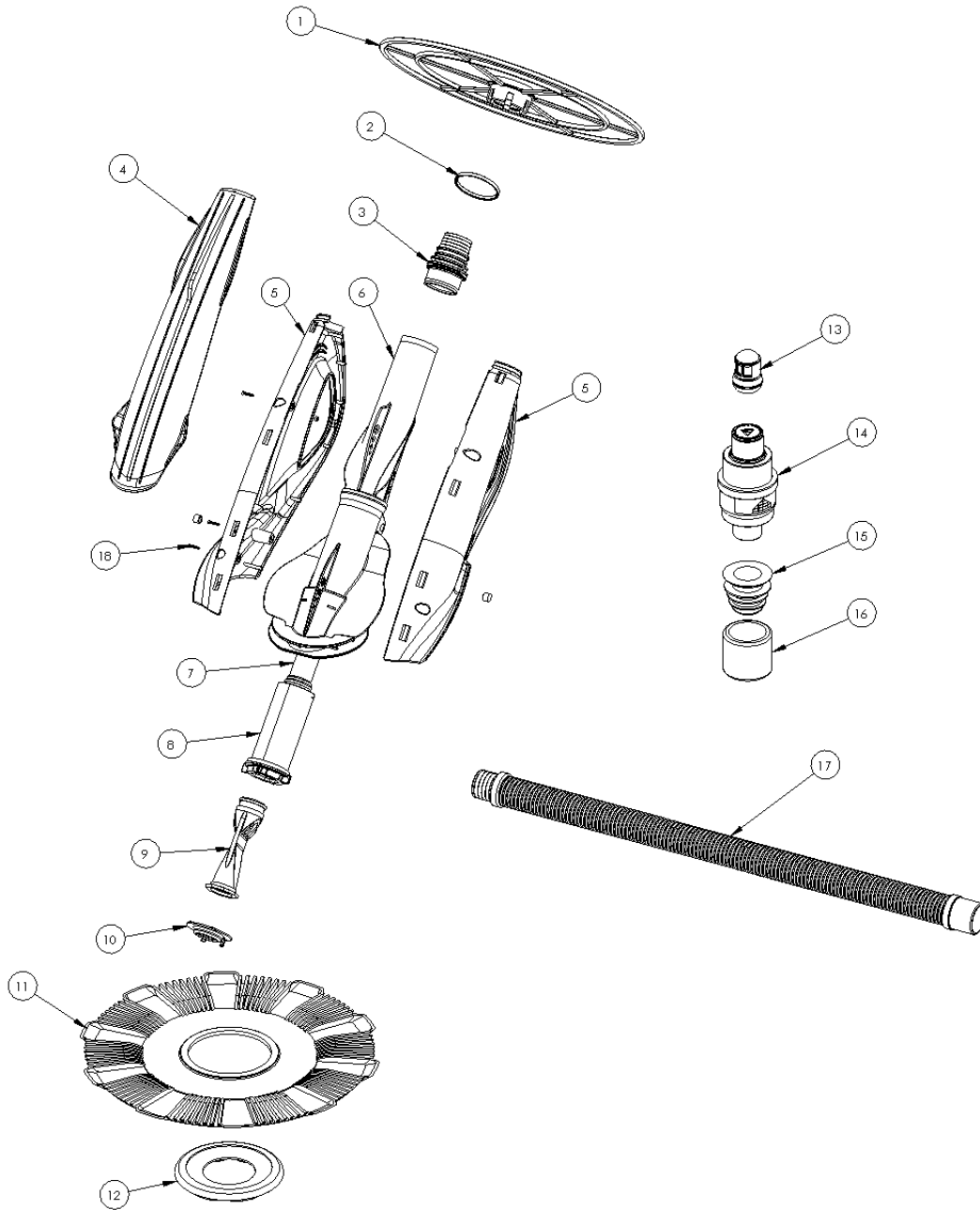
10. Pour remplacer le diaphragme, retirez tout d'abord la collerette d'étanchéité en la pliant légèrement depuis la bride du pied sur laquelle elle est montée. Retirez le dispositif de retenue en écartant une languette de retrait vers le centre avec un tournevis plat et retirez-la. Vous pouvez également attraper la languette à l'aide d'une paire de pinces, puis tournez et tirez le dispositif de retenue hors du pied. Retirez l'ensemble cassette. Glissez le joint torique hors de la cassette. Séparez les deux moitiés de la cassette et retirez le diaphragme du tube interne. Inversez le processus de retrait pour rétablir le fonctionnement du nettoyeur. Assurez-vous que le diaphragme est installé avec son joint torique sur le dessus.

**UTILISEZ UNIQUEMENT DES PIÈCES DE RECHANGE ORIGINALES DE MARQUE HAYWARD**



**UTILISEZ UNIQUEMENT DES PIÈCES DE RECHANGE ORIGINALES DE MARQUE HAYWARD**

Pièces de rechange



**CERTAINS ÉLÉMENTS PRÉSENTÉS PEUVENT NE PAS ÊTRE COMPRIS SUR TOUS LES MODÈLES**

**UTILISEZ UNIQUEMENT DES PIÈCES DE RECHANGE ORIGINALES DE MARQUE HAYWARD**

N° de réf.	N° de pièce	Description
1	DCX110	Halo
2	DCX334	Joint
3	DCX212	Ensemble - Rotule
4	DCX332	Couvercle supérieur
5	DCX353	Moitiés du corps
6	DCX315	Ensemble - Corps du diaphragme
7	DCX108	Tube - Interne
8	DCX105	Ensemble cassette
9	DCX105C	Diaphragme
10	DCX106	Dispositif de retenue
11	DCX152	Disque
12	DCX150	Collerette d'étanchéité
13	DCX170	Vanne de dérivation - Rotule
14	DCX180	Régulateur de flux
15	DCX172	Adaptateur - Tuyau
16	DCX174	Contrepoids pour tuyau
17	DC176	Tuyau - Raccord M/F
18	DCX344	Ensemble - Vis + bouchons

**UTILISEZ UNIQUEMENT DES PIÈCES DE RECHANGE ORIGINALES DE MARQUE HAYWARD**

## Dépannage

### **Mon nettoyeur ne se met pas en marche :**

- Vérifiez que la pompe est activée
- Vérifiez que le filtre, le panier de la pompe et l'écumoire sont propres
- Vérifiez l'alimentation de la pompe. Si l'alimentation est trop élevée, fermez une autre conduite d'aspiration
- Vérifiez qu'aucun boyau ne fuit ou que le tuyau est correctement branché

### **Mon nettoyeur ne se déplace pas :**

- Vérifiez le joint d'étanchéité : l'indication « UP » doit se trouver sur le dessus
- Vérifiez l'équilibre du flux entre le nettoyeur et le collecteur principal

### **Mon nettoyeur est bloqué :**

- La tête à rotule doit pouvoir tourner librement
- Vérifiez le flux à l'aide du régulateur

### **Le nettoyeur ne nettoie pas toute la piscine :**

- Vérifiez la longueur du tuyau
- Le tuyau doit être droit
- Installez la rotule de(s) vanne(s) de dérivation

---

**UTILISEZ UNIQUEMENT DES PIÈCES DE RECHANGE ORIGINALES DE MARQUE HAYWARD**

## Garantie

### GARANTIE LIMITÉE DE HAYWARD®

Au premier acheteur de cet équipement, Hayward Pool Products, Inc. garantit que ses produits sont exempts de défauts de matériaux ou de fabrication pendant une période d'UN (1) an à partir de la date d'achat. Les tuyaux, les joints d'étanchéité, les paniers et les joints toriques sont garantis contre les défauts de matériaux et de fabrication pendant une période de trente jours.

Les pièces présentant des défauts pendant la période de garantie, à l'exception des défauts causés par le gel, une inondation, un incendie, un accident, la foudre, la négligence, une installation, une utilisation ou un entretien inappropriés, seront réparées ou remplacées, à notre seule discrétion.

La preuve d'achat est requise pour le service au titre de la garantie. Pour obtenir un entretien ou une réparation au titre de la garantie, veuillez communiquer avec le centre de service Hayward autorisé le plus proche. Pour plus de renseignements concernant les détaillants Hayward ou le centre de service, consultez le site [www.haywardpool.com](http://www.haywardpool.com) (en anglais uniquement). Aucun article retourné ne peut être envoyé directement à l'usine sans l'autorisation écrite expresse de Hayward Pool Products, Inc.

La société Hayward ne sera pas tenue responsable des frais de main-d'œuvre liés au camionnage, à l'enlèvement ou à la réinstallation, ou de tous les autres frais engagés dans l'obtention de pièces de rechange couvertes par la garantie.

La garantie de Hayward Pool Products ne s'applique pas aux composants fabriqués par d'autres entreprises. Pour ces produits, la garantie déterminée par leur fabricant s'appliquera.

Puisque certains États interdisent les limitations relatives à la durée d'application des garanties implicites, ou encore l'exclusion ou la limitation relative aux dommages consécutifs ou indirects, la limitation ou l'exclusion susmentionnée pourrait ne pas vous concerner.

Cette garantie vous confère des droits légaux spécifiques et vous pouvez également avoir d'autres droits qui peuvent varier d'un État à un autre.

**\*Conservez ce certificat de garantie dans vos dossiers, dans un endroit sûr et commode**

**POUR ENREGISTRER VOTRE NETTOYEUR DANS NOTRE BASE DE DONNÉES, ALLEZ SUR LE SITE :**

USA: [www.haywardnet.com](http://www.haywardnet.com) Canada: [www.haywardcanada.com](http://www.haywardcanada.com) Europe: [www.hayward.fr](http://www.hayward.fr)

**Renseignements concernant l'enregistrement du produit**

DATE D'INSTALLATION \_\_\_\_\_

VALEUR INITIALE DU MANOMÈTRE (FILTRE PROPRE) \_\_\_\_\_

MODÈLE DE LA POMPE \_\_\_\_\_

**UTILISEZ UNIQUEMENT DES PIÈCES DE RECHANGE ORIGINALES DE MARQUE HAYWARD**