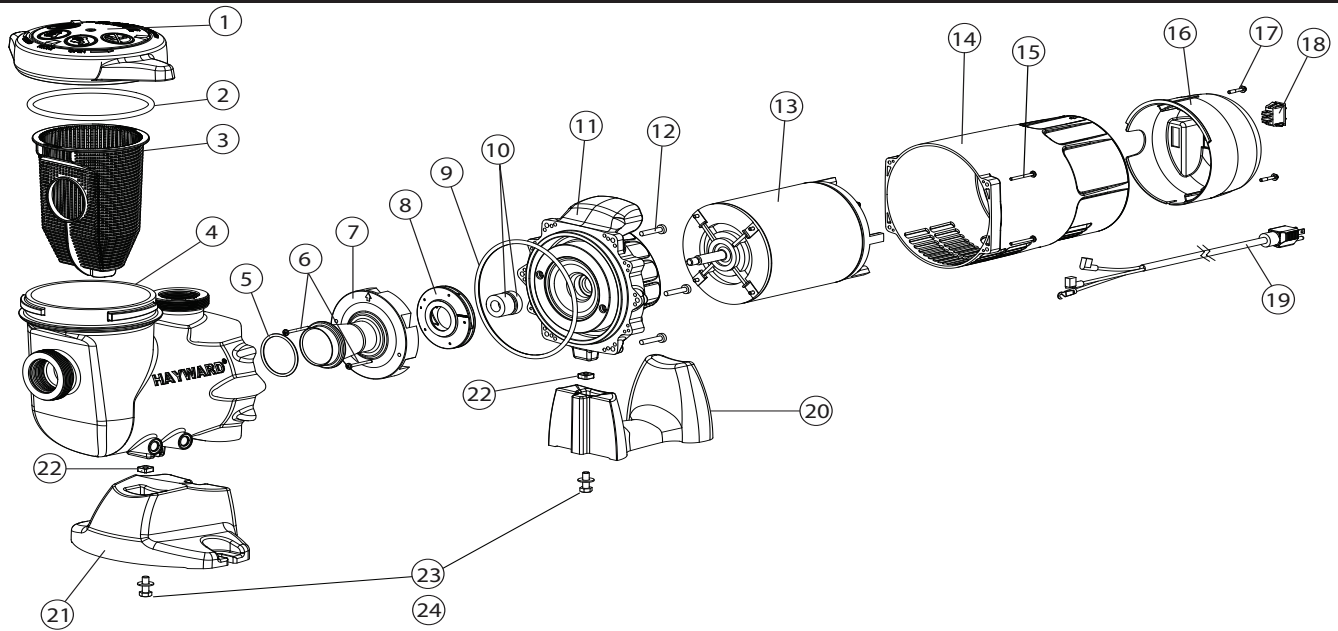


Turbo Flo II

PUMP SERIES REPLACEMENT PARTS



Parts Diagram



Pumps

| Ref. No. | Part No. | Description | Qty Per |
|----------|-------------|-----------------------------------|---------|
| 1 & 2 | SPX2700DLS | Strainer Cover/O-Ring | 1 |
| 2 | SPX2700Z4 | O-Ring for Strainer Cover | 1 |
| 3 | SPX2700M | Strainer Basket | 1 |
| 4 | SPX5700AALL | Pump Housing Assembly, Less Label | 1 |
| 5 | SPX1495Z1 | O-Ring | 1 |
| 6 | SPX2700Z3 | Screw | 2 |
| 7 | SPX5700B | Diffuser | 1 |
| 8 | SPX1591FM | Impeller | 1 |
| 9 | SPX5500H | Strainer Housing O-Ring | 1 |
| 10 | SPX1500KA | Seal Assembly | 1 |
| 11 | SPX5700E | Seal Plate | 1 |
| 12 | 6060Z1 | Screw | 6 |
| 13a | SPX1509Z1UF | 1 HP Motor | 1 |
| 13b | SPX1514Z1UF | 1.5 HP Motor | 1 |
| 13c | SPX1514Z2UF | 1.5 HP 2SP Motor | 1 |
| 14 | SPX5700AM | Motor Housing | 1 |
| 15 | SPX2700Z3 | Screw | 4 |
| 16a | SPX5700CA | End Bell Assembly Single Speed | 1 |
| 16b | SPX5700CA2 | End Bell Assembly 2 Speed | 1 |
| 17 | SPX150T2 | Screw | 2 |
| 18a | ECX1325R | Switch for Single Speed | 1 |
| 18b | ECX13252R | Switch for 2 Speed | 1 |
| 19 | SPX1550WA5C | Cord Set | 1 |
| 20 | SPX5700G | Motor Support | 1 |
| 21 | SPX5700H | Main Base | 1 |
| 22 | SPX2700Z2 | Housing Square Nut | 2 |
| 23 | SPX5700Z4 | Bolt | 2 |
| 24 | ECX1109 | Washer | 2 |