

# MAESTRALE



B101019-F31-295  
 B101219-F31-295  
 B101419-F31-295  
 B121619-F31-295

Color available:

F31 295



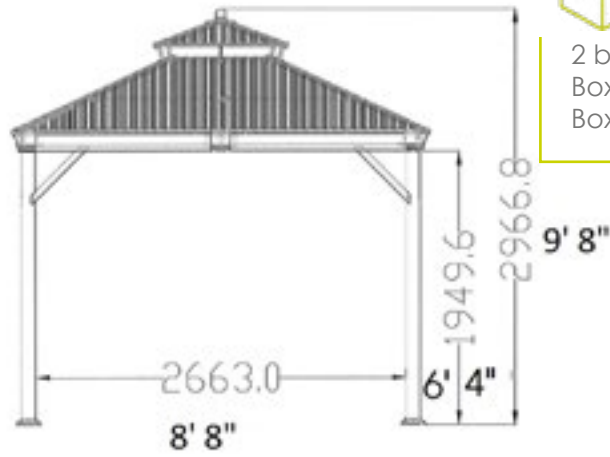
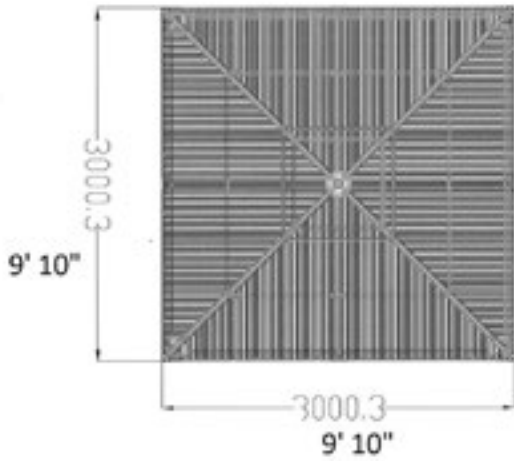
- Galvalume roof (0,4mm)
- Double roof
- Easy to assemble
- 8 reinforcement bars
- 4'' square posts in aluminum (Épaisseur 1,2mm)
- Hardware in stainless
- With gutters

Gazebo weight:  
 10'x10': 238lbs  
 10'x12': 293lbs  
 10'x14': 330lbs  
 12'x16': 354lbs

- Double rails
- Cover bases
- Tubing in steel E-coated and thick aluminum
- Mosquito net 500D\*500D with 2 attachs
- Curtains and micas also available

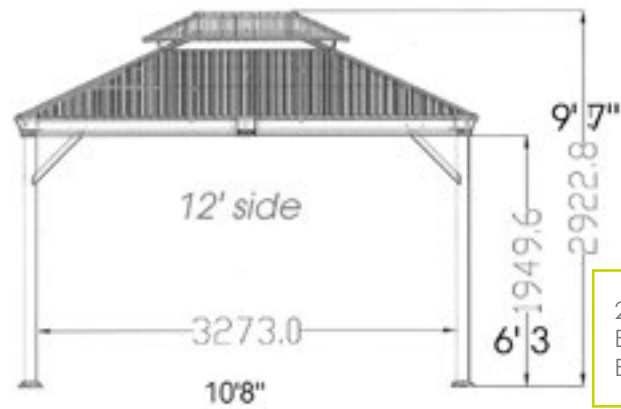
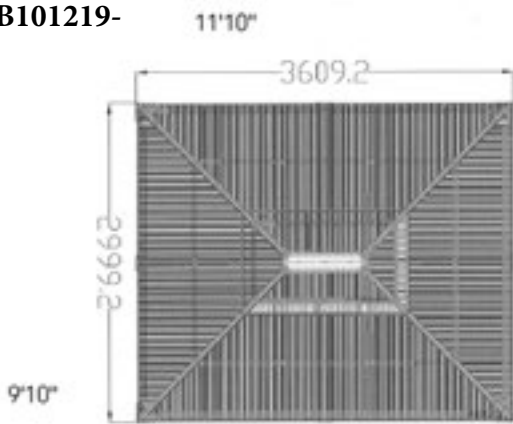
\*The gazebo can be left outside during winter. Any snow accumulation need to be remove.\*  
 Weight limit : 2000 lbs

**B101019-**



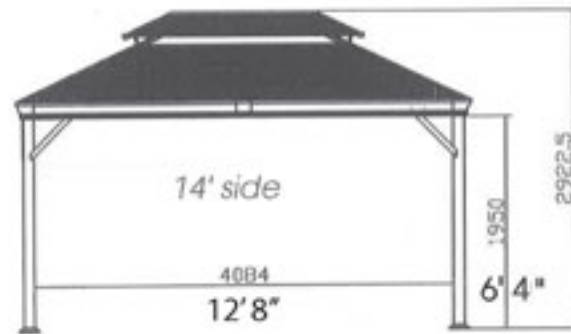
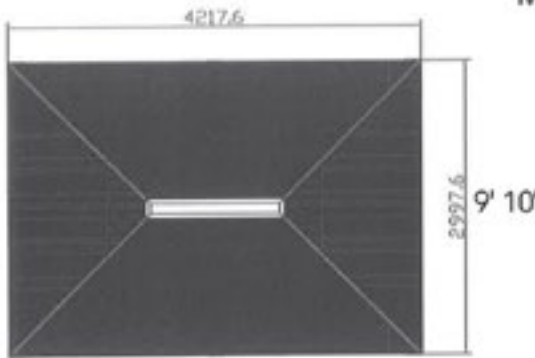
2 boxes / gazebo  
 Box 1 size : 50''x38''x4''  
 Box 2 size : 83''x18''x12''

**B101219-**



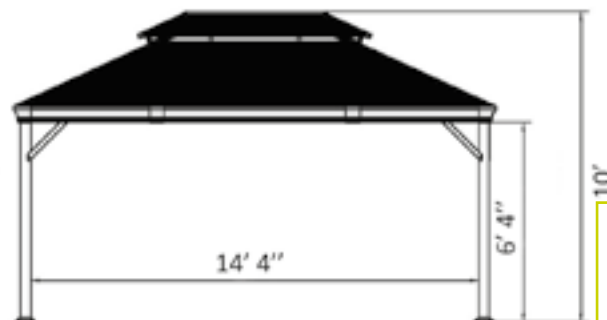
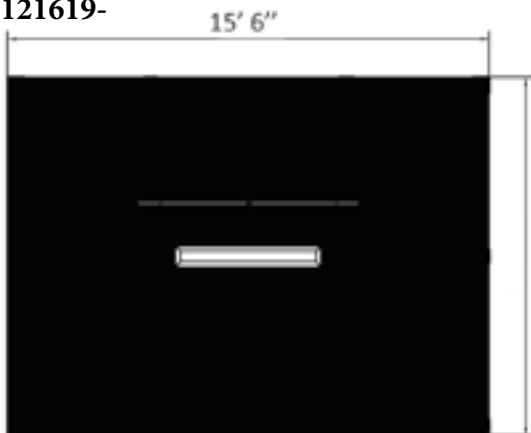
2 boxes / gazebo  
 Box 1 size : 50''x38''x3''  
 Box 2 size : 86''x18''x15''

**B101419-**



2 boxes / gazebo  
 Box 1 size : 50''x38''x3''  
 Box 2 size : 87''x18''x14''

**B121619-**



3 boxes / gazebo  
 Box 1 size : 61''x37''x2''  
 Box 2 size : 61''x39''x7''  
 Box 3 size : 83''x19''x13''