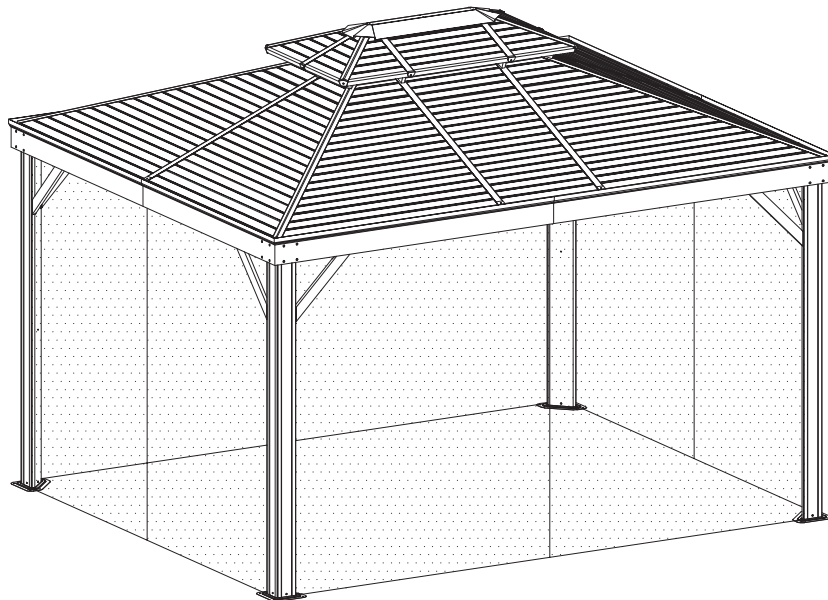


Axel Gazebo

10' x 12'

□ □ □ □ □ □ □ Model: YS 9028 □ □ □ □ □ □ □



NOTICE

IMPORTANT: A gazebo may require a municipal permit, and may be subject to construction standards. Please inform the relevant authorities.

SECURITY RULES

It is very important to read and follow the safety rules before assembling and when using the shelter.

It is recommended to avoid the final installation of the gazebo in a strong wind corridor.

1: It is important to plan enough time to complete the assembly. This shelter will take approximately 7 hours to assemble. This shelter should not be left unattended if the assembly is not completely finished, even if it is screwed to the ground.

2: A minimum of 3 peoples is required to assemble this shelter.

3: Always install the structure on level ground. The shelter must be anchored to a floor of wood, concrete or stone slabs using the appropriate screws for each type of flooring.

4: Plan a space of at least five feet around the structure for mounting.

5: Do not use the structure as support; use a stepladder when needed.

6: Some parts may have sharp sides. It is recommended to wear protective gloves.

WARNING: KEEP ANY FLAME OR HEAT SOURCE AWAY FROM ALL FABRICS. The fabrics meet the flammability requirements of CPAI-84. They can burn if left in contact with a flame. Application of a foreign substance to the tissue may decrease, or remove, its flammability properties.

If any of these above-mentioned instructions is not followed the warranty will be voided.

OPERATION

The gazebo is intended to be used as a shelter, not to use it for anything other than what it was designed for.

The gazebo can be left outdoors all year long. **You must remove any accumulation of snow at all times. You must remove mosquito nets and panels and store them dry during the winter.**

Do not place any heating appliance, heat source or exposed flame under the gazebo or within five (5) feet.

Do not hang or hang excess weight 6.8kg (15lbs).

If any of these above-mentioned instructions is not followed the warranty will be voided.

MAINTENANCE

Periodically check that the gazebo is well anchored to the ground to enjoy its safe use.

Periodically check that all screws are tight before using the shelter.

To place your order and identify the parts to be replaced, refer to the model number of the gazebo and the letters that are indicated on the parts list.

CARE AND CLEANING

For cleaning the gazebo, use a mild soap and wash with warm water with a sponge or microfiber cloth. Rinse with clear water.

Do not put mosquito nets and panels in a washing machine or dryer.

Mosquito nets and panels must be removed and stored in a dry place during the winter.

WARRANTY

From the date of purchase and not transferable, the buyer has 30 days to make a claim for all missing or damaged parts in the box (es). If this is the case, you must contact the retailer. Proof of purchase is necessary. Damaged parts are no longer under warranty after 30 days and claims will be at the expense of the buyer.

IMPORTANT: This gazebo is not a permanent structure. The structure can be left outdoors for all seasons but you must remove any accumulation of snow at all times. Mosquito nets and panels should be stored in the dry during the winter.

This gazebo is guaranteed against manufacturing defects based on normal use:

- 5 years on the structure against fading.
- 5 years on roof panels against rust and discoloration
- 1 year on mosquito nets
- 1 year on curtains (extreme color fading only)

Limited warranty is applicable on parts only.

WHAT IS NOT GUARANTEED:

- The labor on the assembly of the gazebo
- Damage caused by vandalism, abuse or misuse of this product
- Damage caused by extreme weather conditions such as thunderstorms, snow storms, windstorms and hail.
- Water infiltration and holes in the roof panels are not covered.
- Damage due to the product not installed on level ground and / or anchored with appropriate screws.
- Damage due to hanging or hanging weight exceeding 6.8kg (15lbs).

PRE-ASSEMBLY

Check that all parts of the gazebo are in the box (es) before assembly. If this is not the case, you must contact the retailer.

Follow all instructions to ensure the solidity of the gazebo.

It is important to plan enough time to complete the assembly. This shelter should not be left unattended if the assembly is not completely finished, even if it is screwed to the ground.

To prevent damage to the gazebo and its components, place all parts on a soft surface and use appropriate tools.

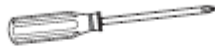
During assembly do not use the structure as a support; use a stepladder when needed.

Keep the User's Guide and parts list for future needs.

TOOLS REQUIRED (Not included in boxes)



LEVEL



PHILLIPS SCREW DRIVER



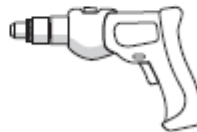
SAFETY GOGGLES



SAFETY HAT



GLOVES



DRILL




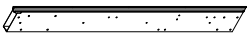
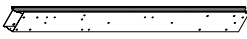
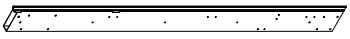
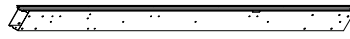

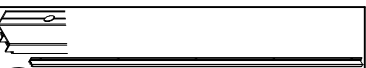









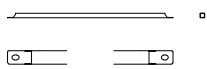





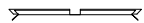

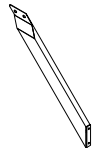


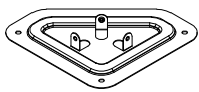
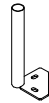
STEPLADDER

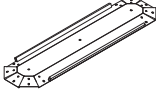
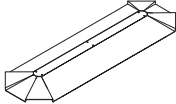


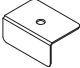
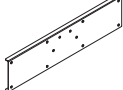

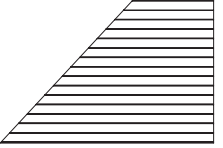
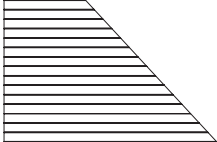



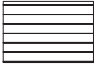
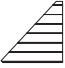
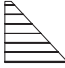
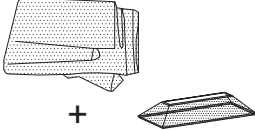



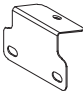










In case of damage or missing part, contact the customer service at 1-800-320-2979 or by email service@clubpiscine.ca.



www.clubpiscine.ca

Rev.20

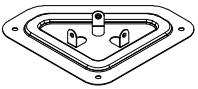
 A 4x Column	 B 2x Crossbeam(short)	 B1 2x Crossbeam(short)
 B2 2x Crossbeam(long)	 B3 2x Crossbeam(long)	 C 2x Track
 C2 2x Track	 D 2x Upper board(short)	 C1 2x Track
 C3 2x Track	 D1 2x Upper board(short)	 D1 2x Upper board(short)
 D2 2x Upper board(long)	 D3 2x Upper board(long)	 E 4x Corner Roof Bar
 E1 6x Roof Bar	 F 2x Finishing Bar (Main Roof)	 F1 4x Finishing Bar (Main Roof)
 F2 4x Finishing Bar (Main Roof)	 G 2x Finishing Bar (Upper Roof)	 G1 4x Finishing Bar (Upper Roof)
 G2 4x Finishing Bar (Upper Roof)	 G3 2x Roof Connector Track	 G4 2x Roof Connector Track
 H1 4x Corner Bracket	 H2 4x Corner Bracket	 H 4x Corner Bracket
 J 4x Base	 K 4x Leaky pipe	

 Roof Connector L 1x	 Roof Connector M 1x	 Corner Gap Cover N 8x	 Gap Cover N1 6x
 Gap Cover N2 6x	 Connector Plate P 4x	 Roof Panel Q 2x	 Roof Panel Q1 4x
 Roof Panel Q2 4x	 Roof Panel R 2x	 Roof Panel R1 4x	 Roof Panel R2 4x
 Roof Panel S 2x	 Roof Panel S1 4x	 Roof Panel S2 4x	 + Mosquito Net T1 4x + 1x
 Hook U 52x	 Gap Cover V 4x	 Roof panel connector W 18x	 Roof panel connector W1 18x
 Spacer Y 60x	 Allen Key (S4) Z 1x	 Phillips Screw Driver AA 1x	
 Bolt M6x15 1 231x	 Capped Bolt 2 32x	 Bolt M5x12 3 12x	 Screw 4.8x12 4 14x
 Roof Connector Hook 5 2x	 Bolt M5x6 6 18x	 Screw 4x8 7 44x	

<1>



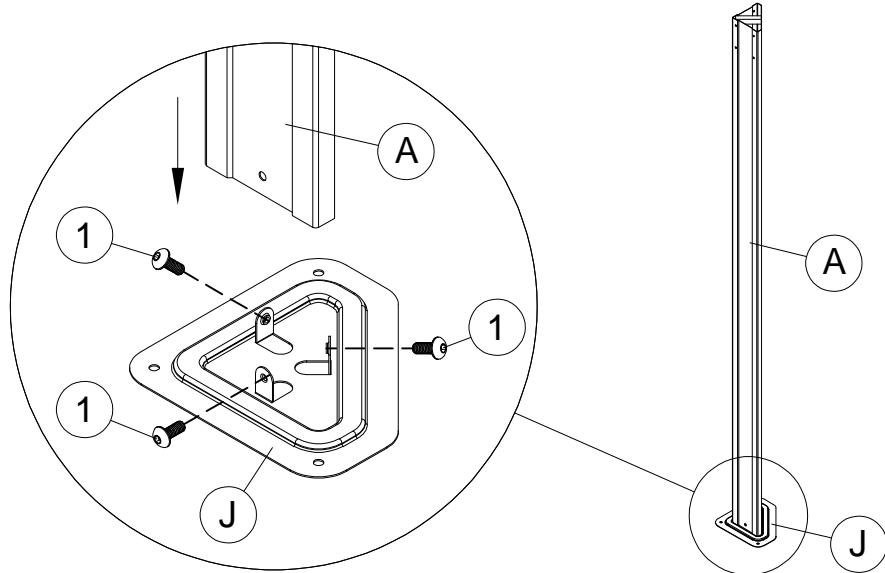
A 4x



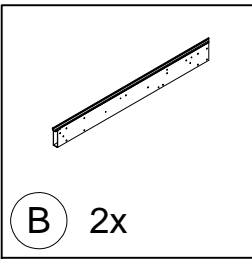
J 4x



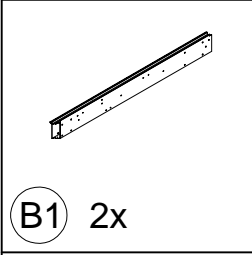
1 12x M6x15



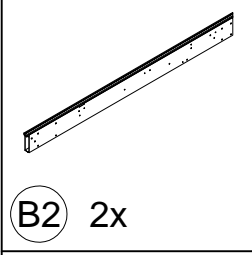
<2>



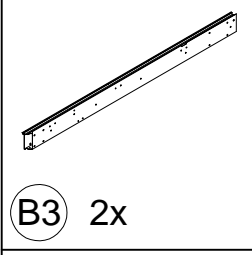
B 2x



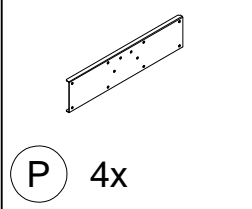
B1 2x



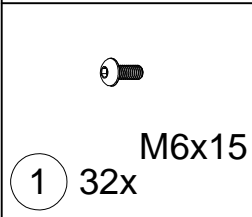
B2 2x



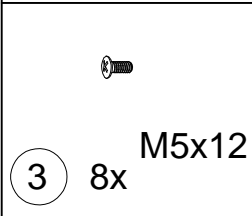
B3 2x



P 4x



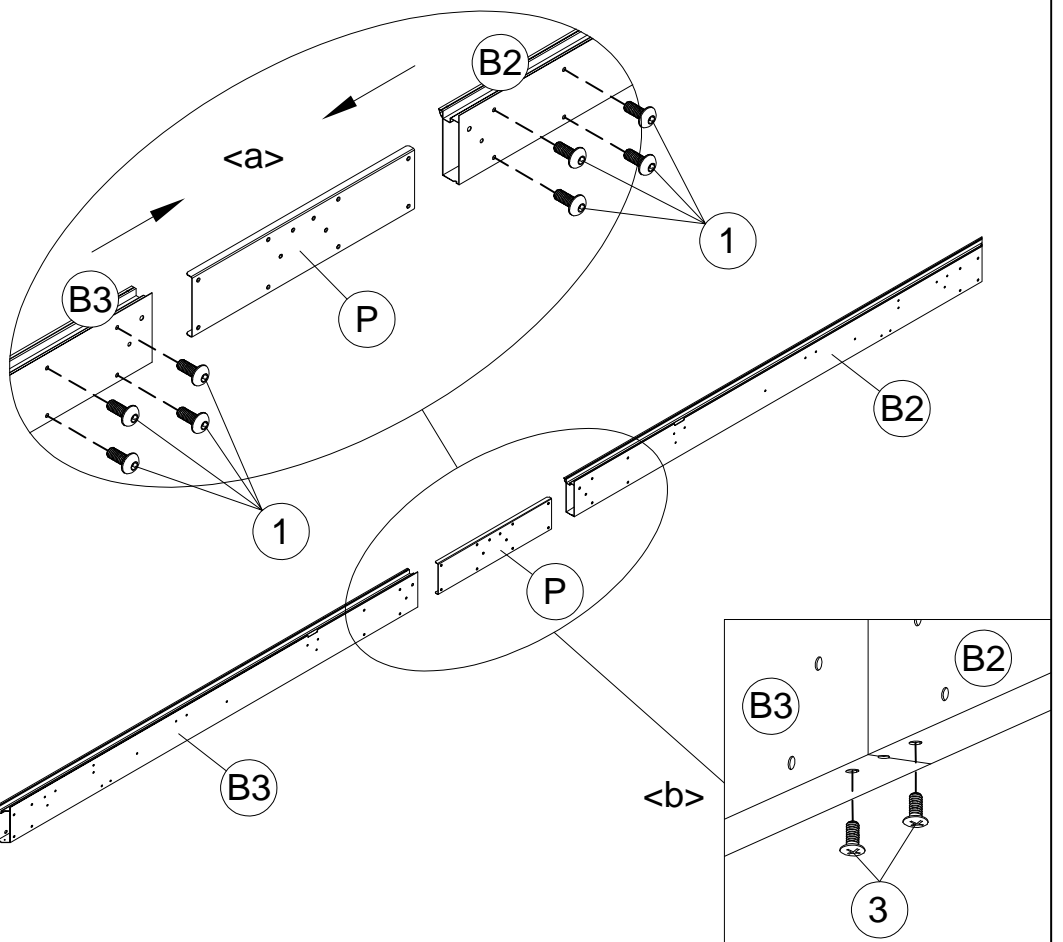
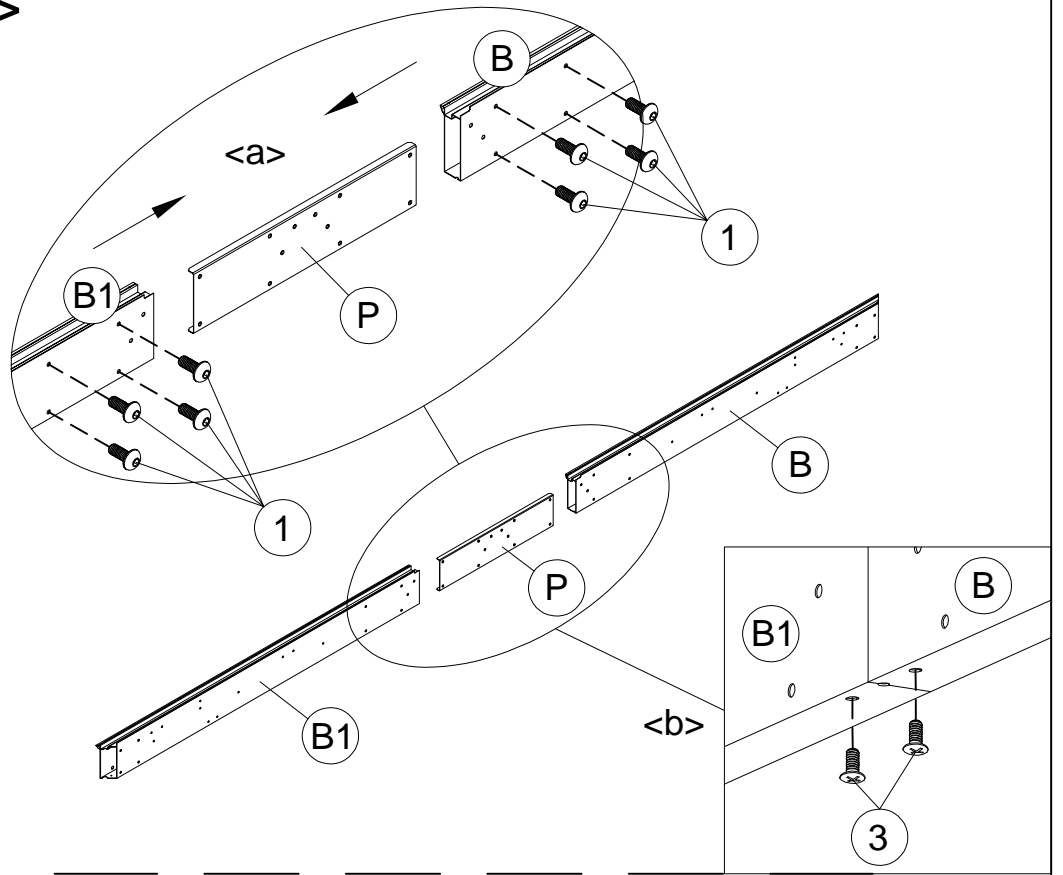
1 32x M6x15



3 8x M5x12



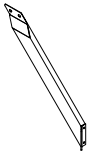
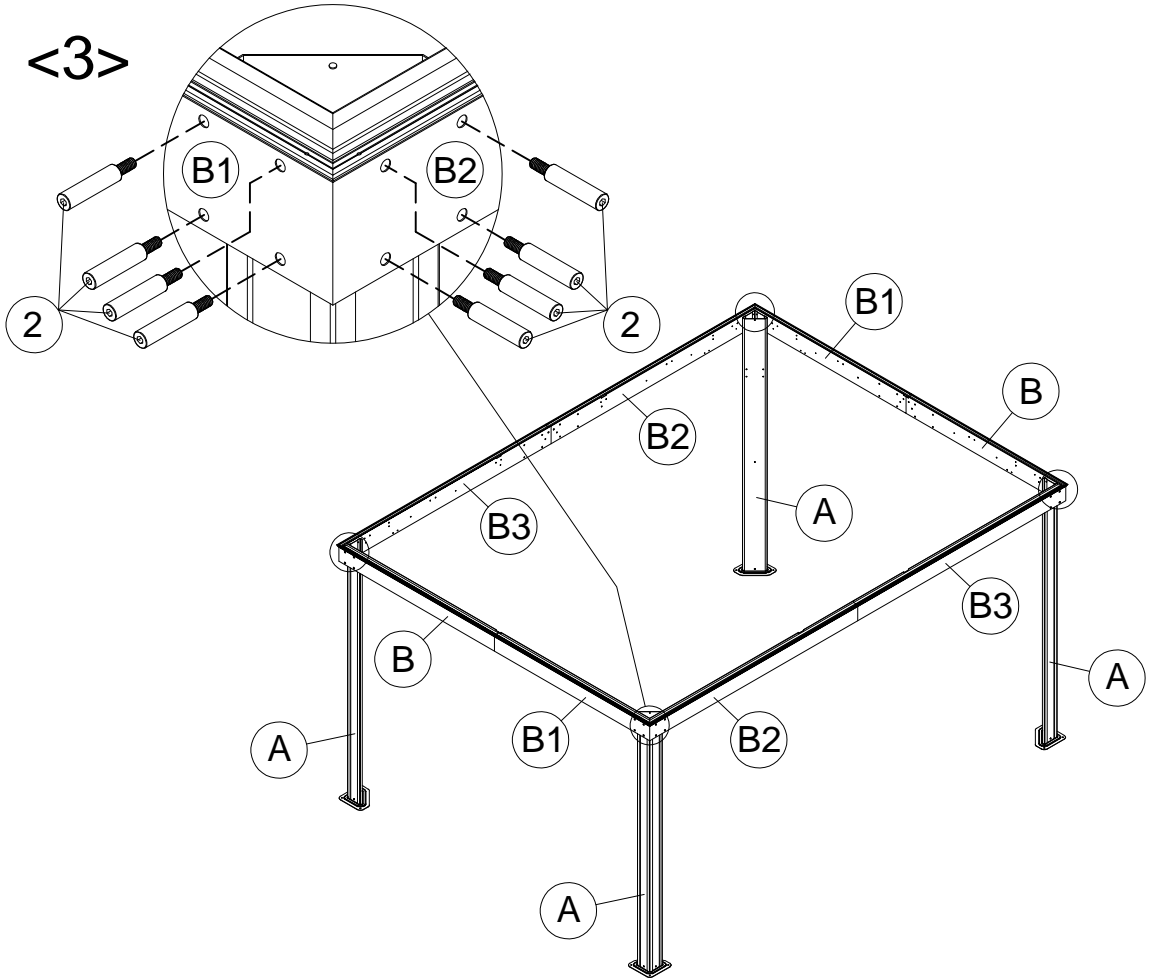
8





2 32x

<3>



H1 4x

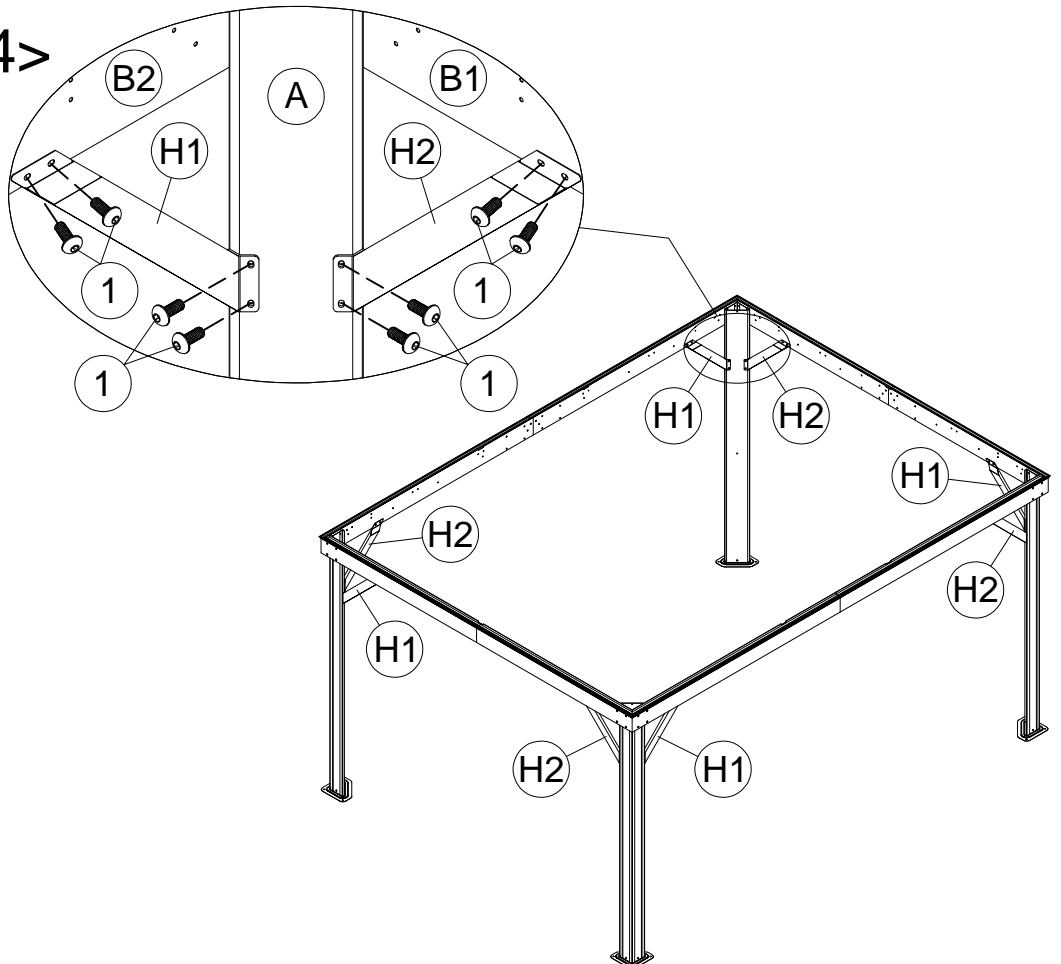


H2 4x



1 32x M6x15

<4>



9



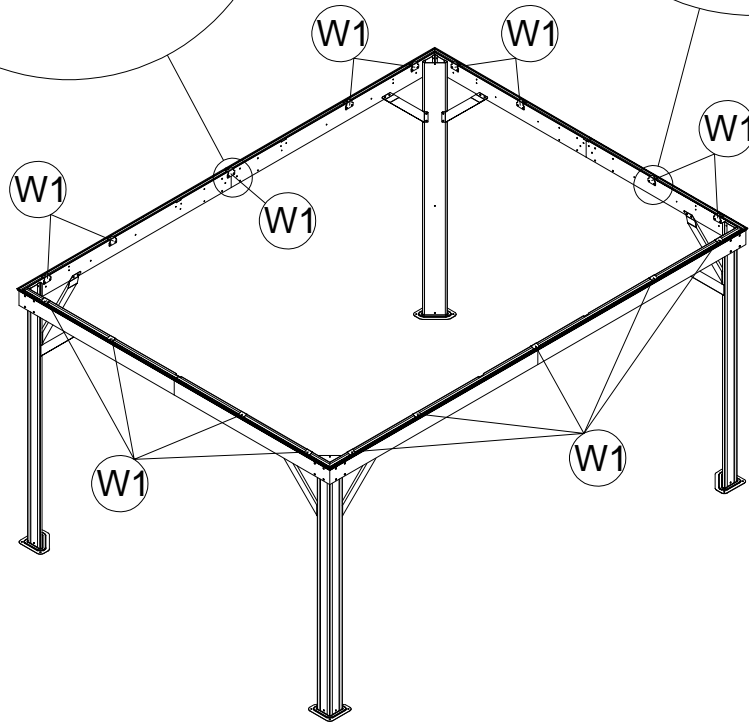
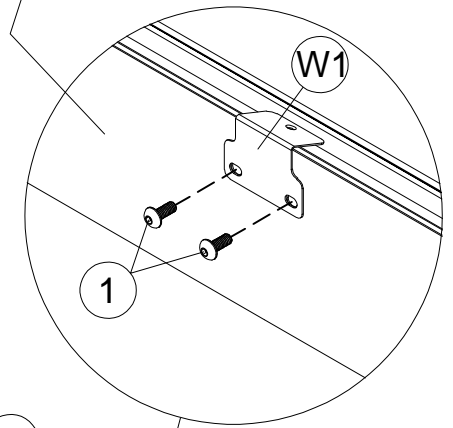
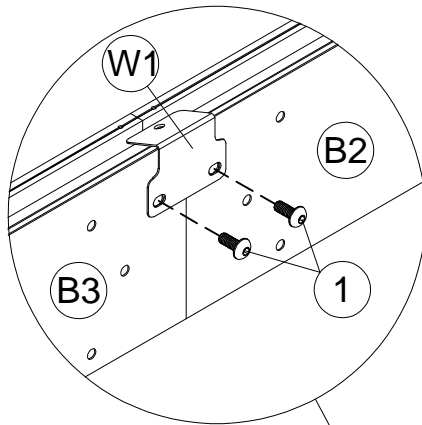
<5>

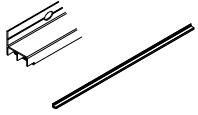
W1 18x



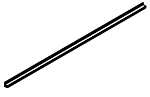
1 M6x15
36x

B or B1 or B2 or B3

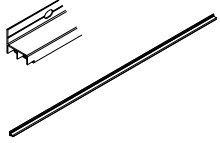




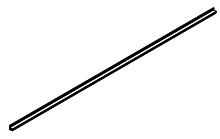
C 2x



C1 2x



C2 2x



C3 2x



U 52x



1 36x M6x15



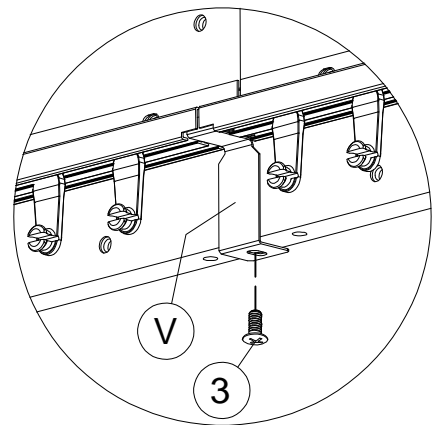
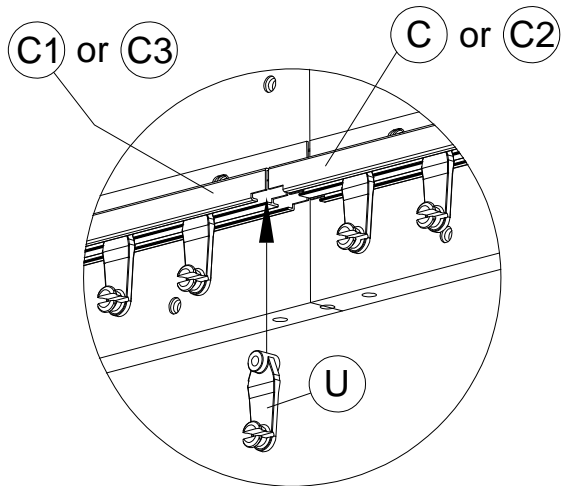
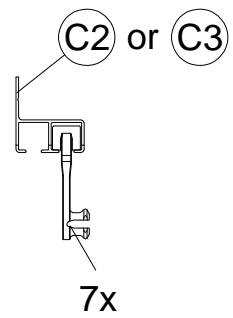
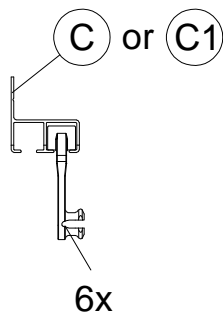
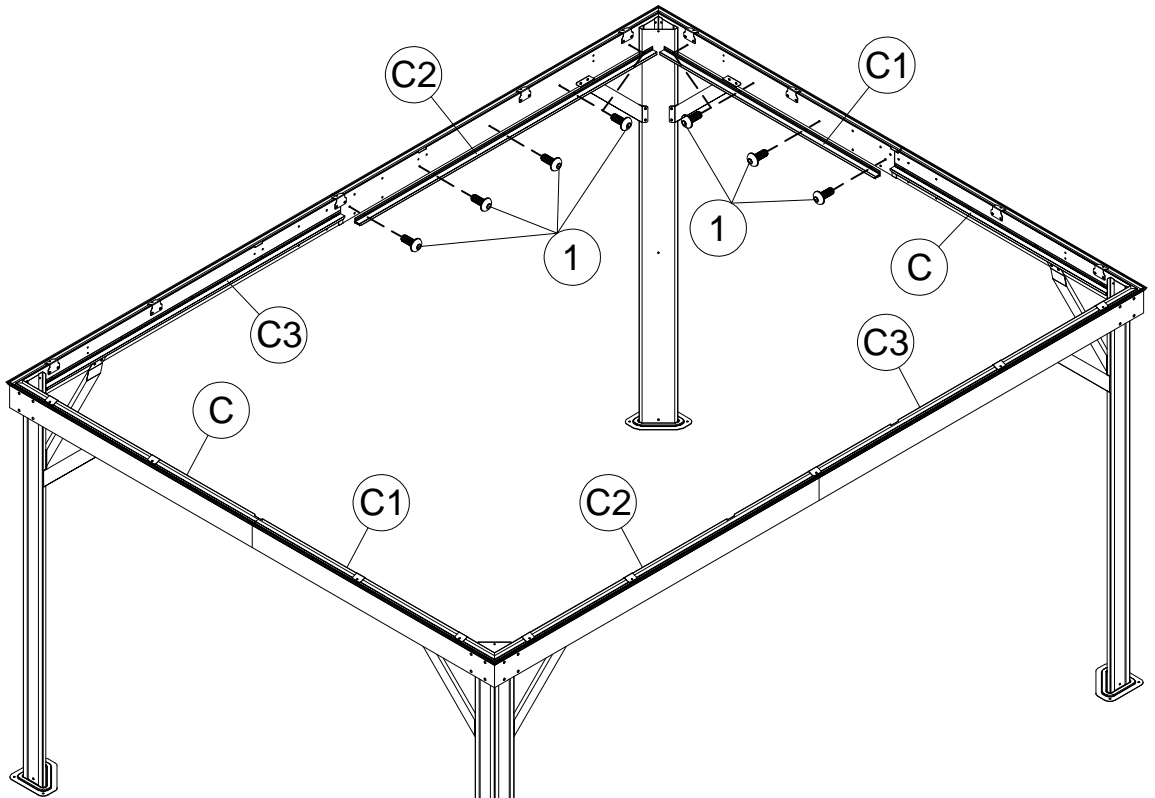
V 4x



3 4x M5x12

11

<6>



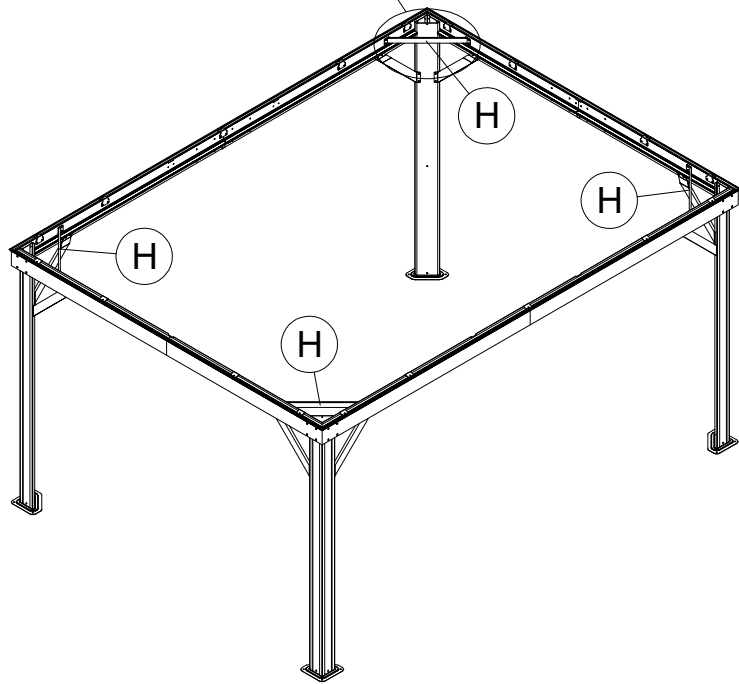
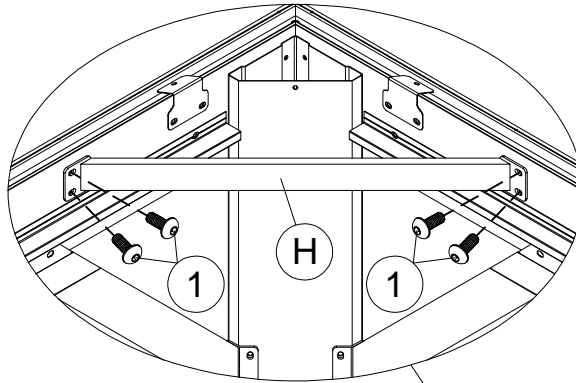


<7>

H 4x



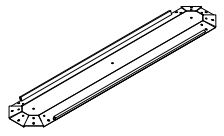
M6x15
1 16x





<8>

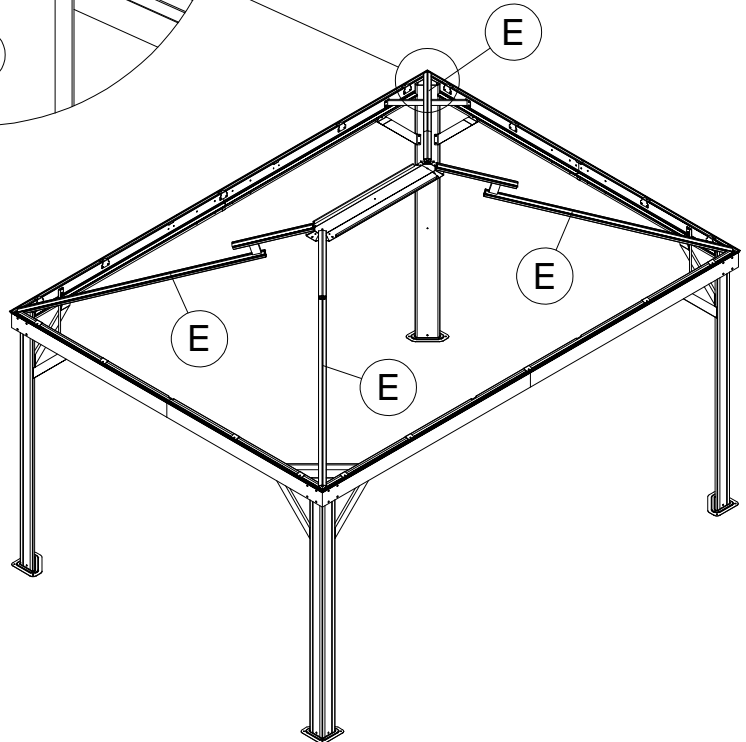
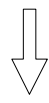
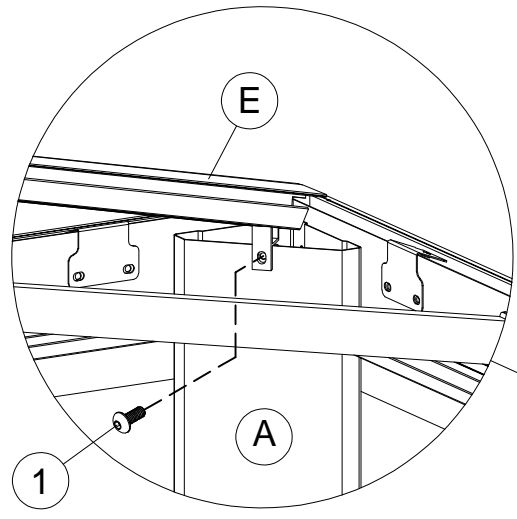
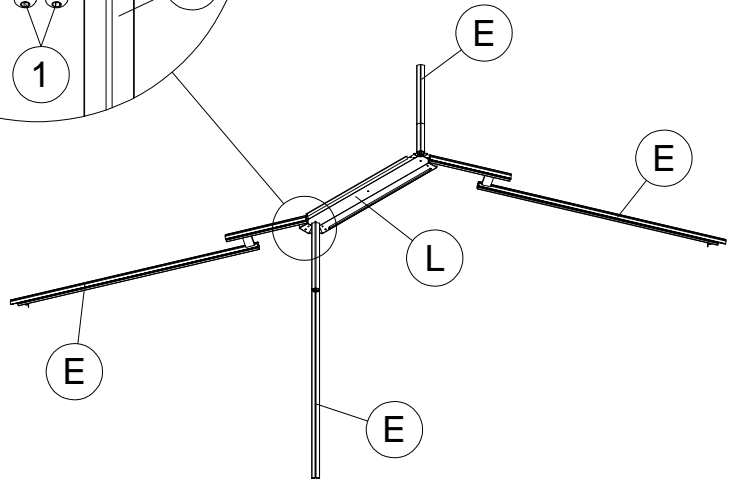
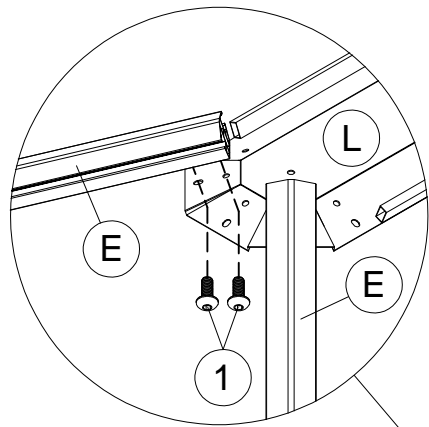
E 4x



L 1x



1 12x M6x15



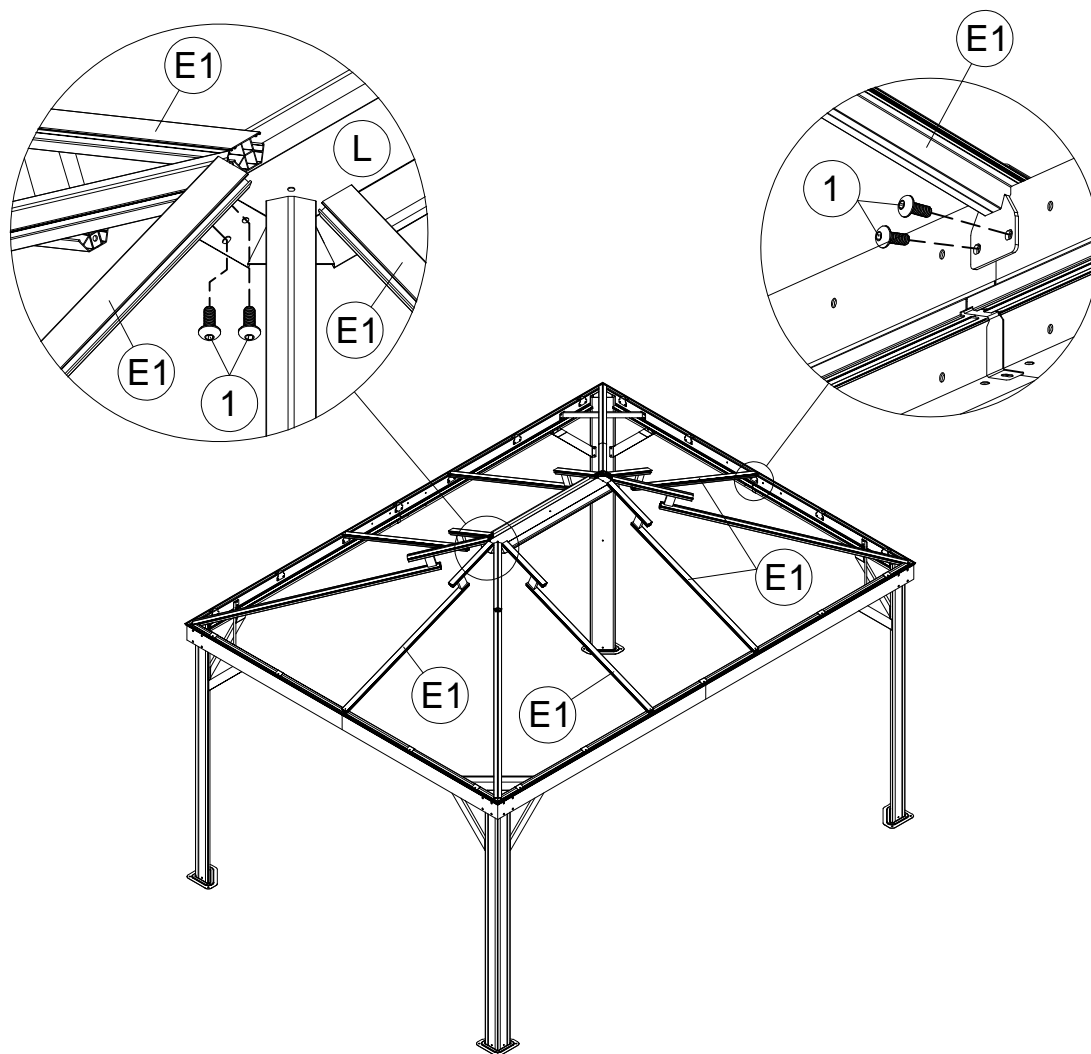


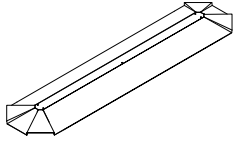
<9>

E1 6x



M6x15
1 24x





<10>

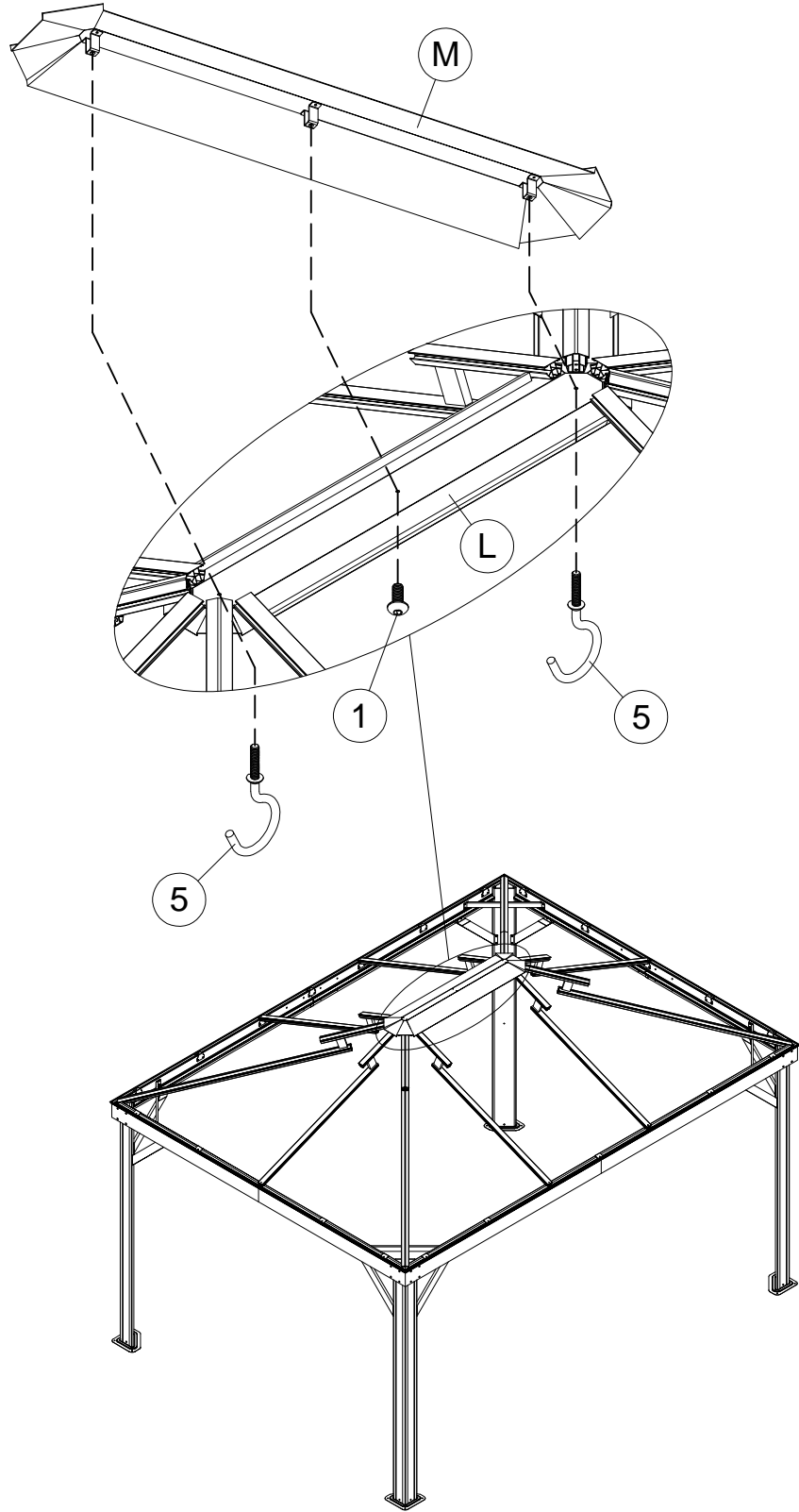
M 1x

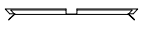


1 1x M6x15



5 2x





<11>

G3 2x

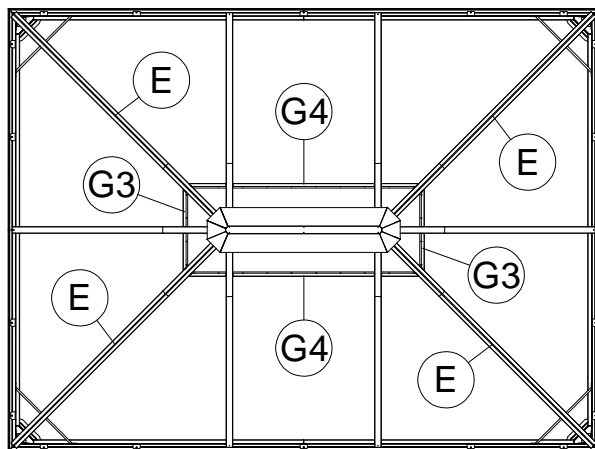
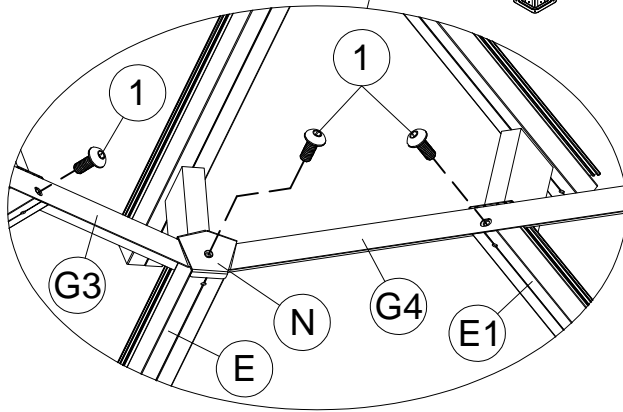
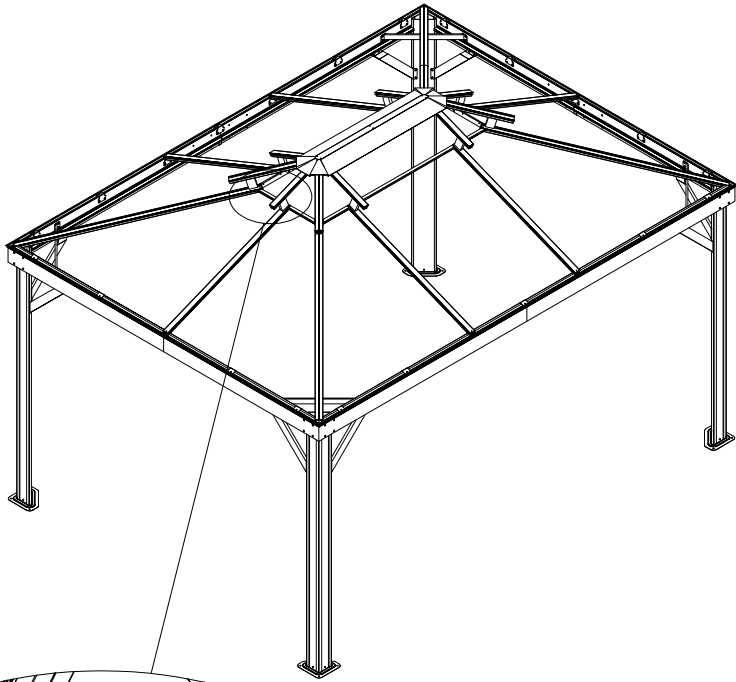
G4 2x

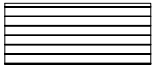


N 4x



1 10x M6x15





S 2x

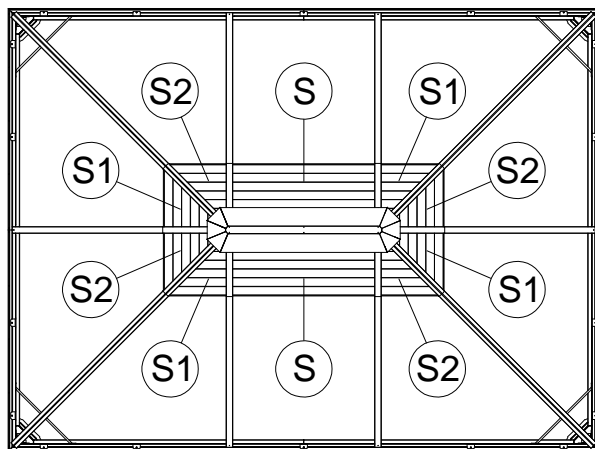
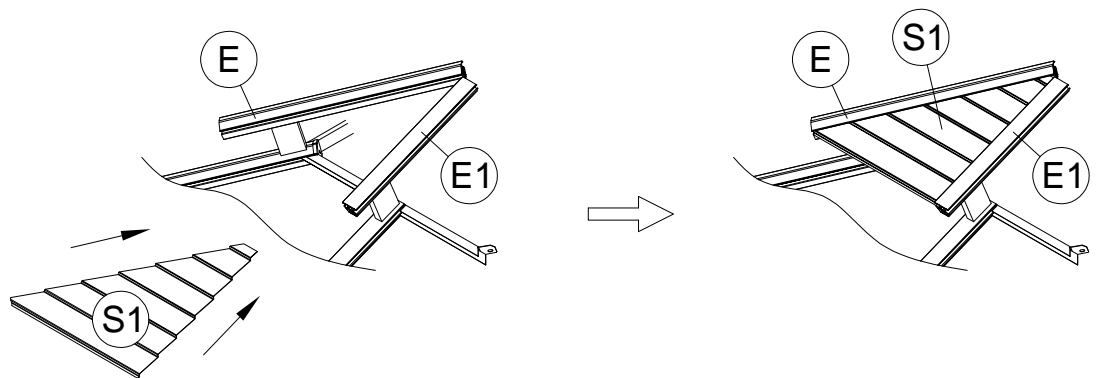
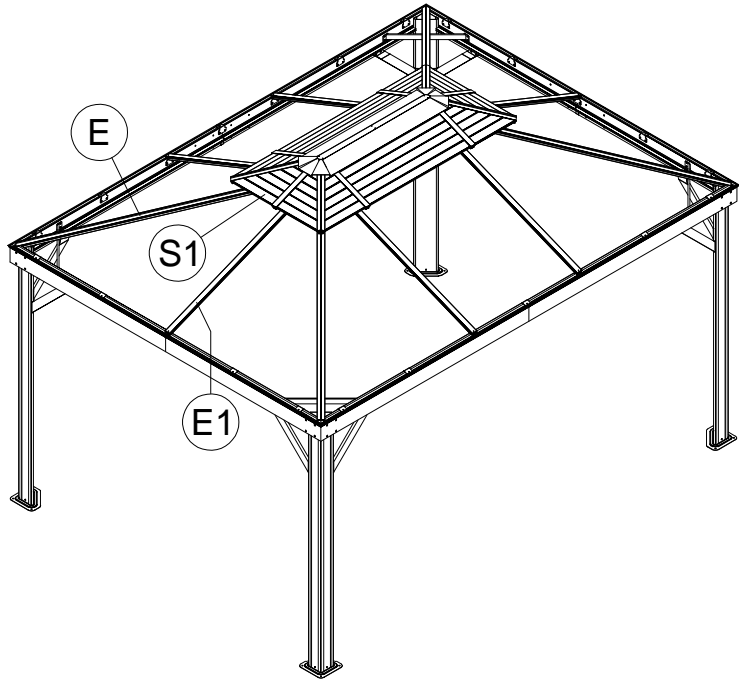


S1 4x



S2 4x

<12>

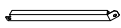


<13>

G 2x



G1 4x



G2 4x



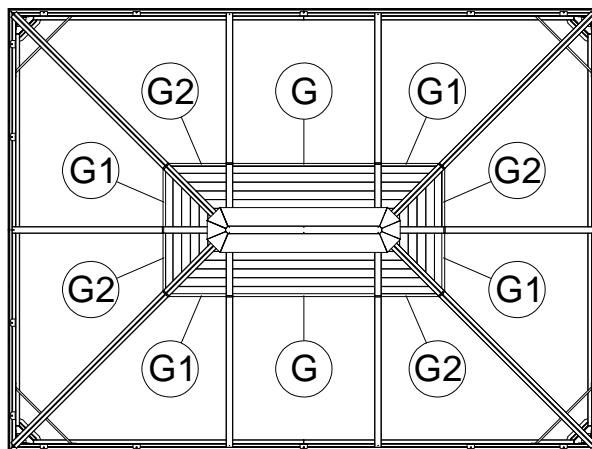
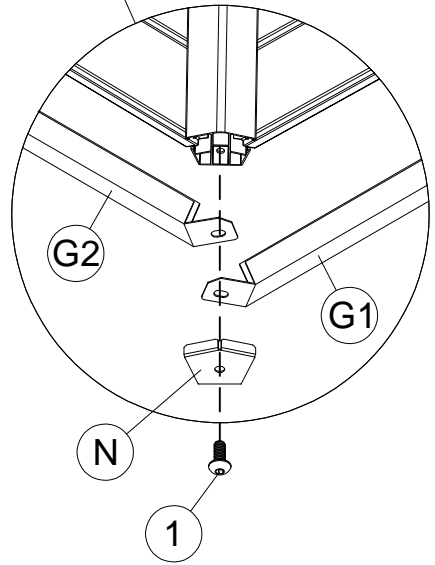
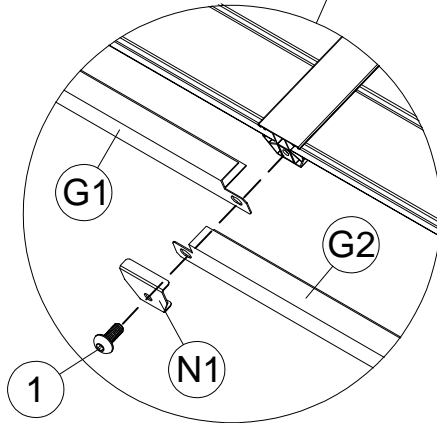
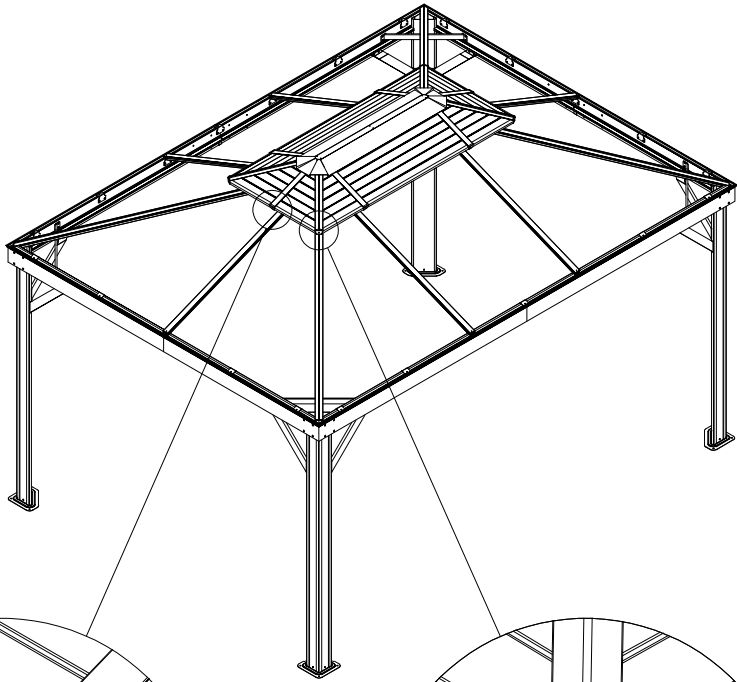
N 4x



N1 6x



1 10x M6x15



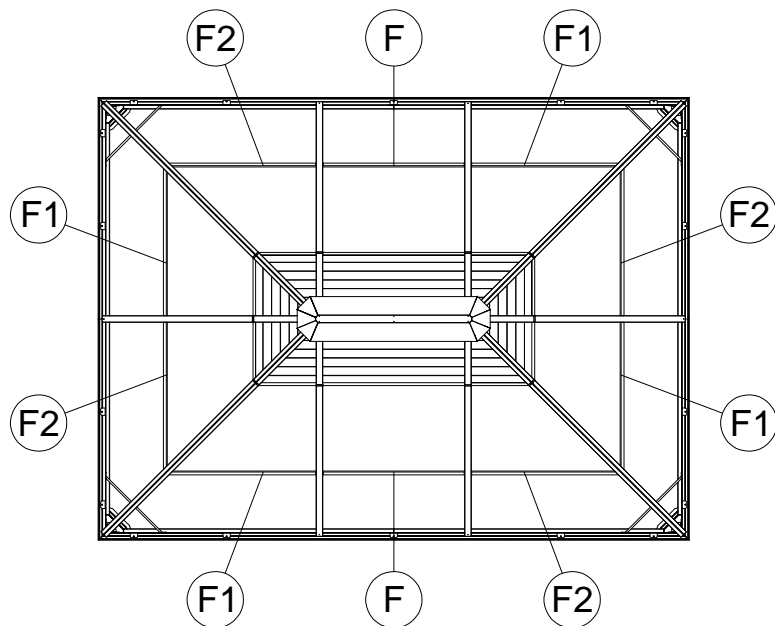
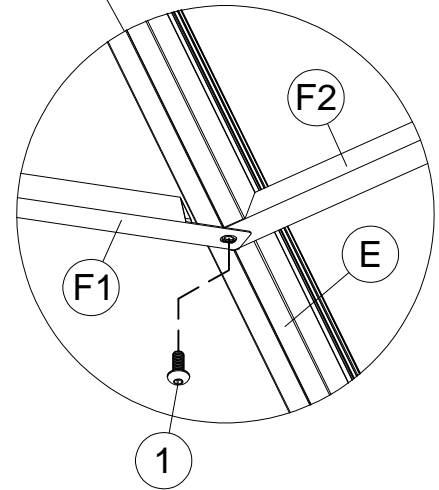
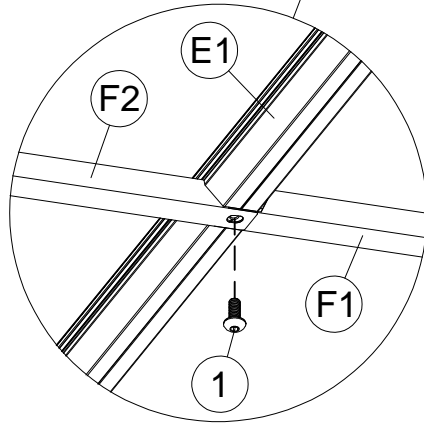
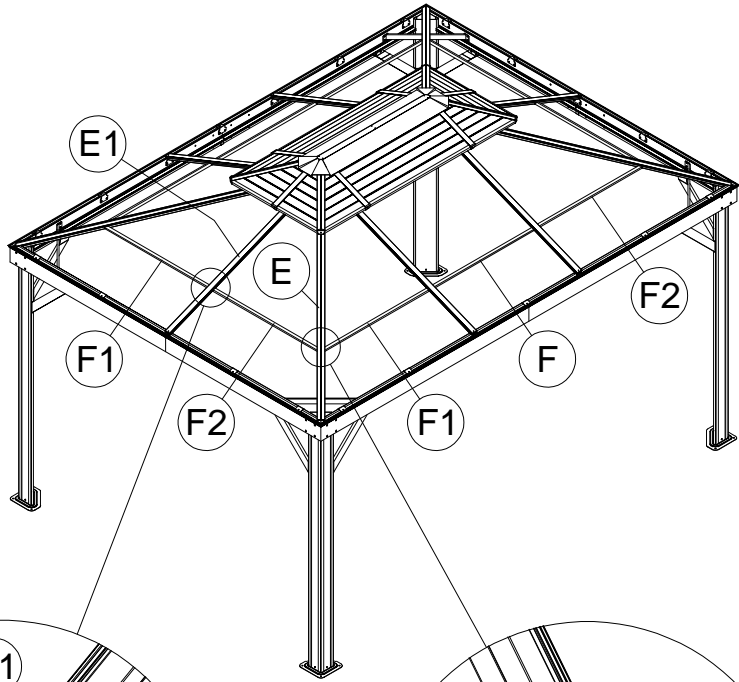
<14>

F 2x

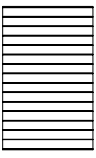
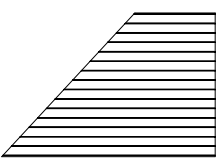
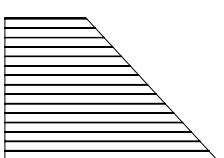
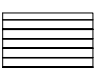
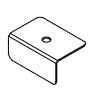
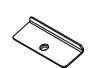
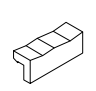


F1 4x

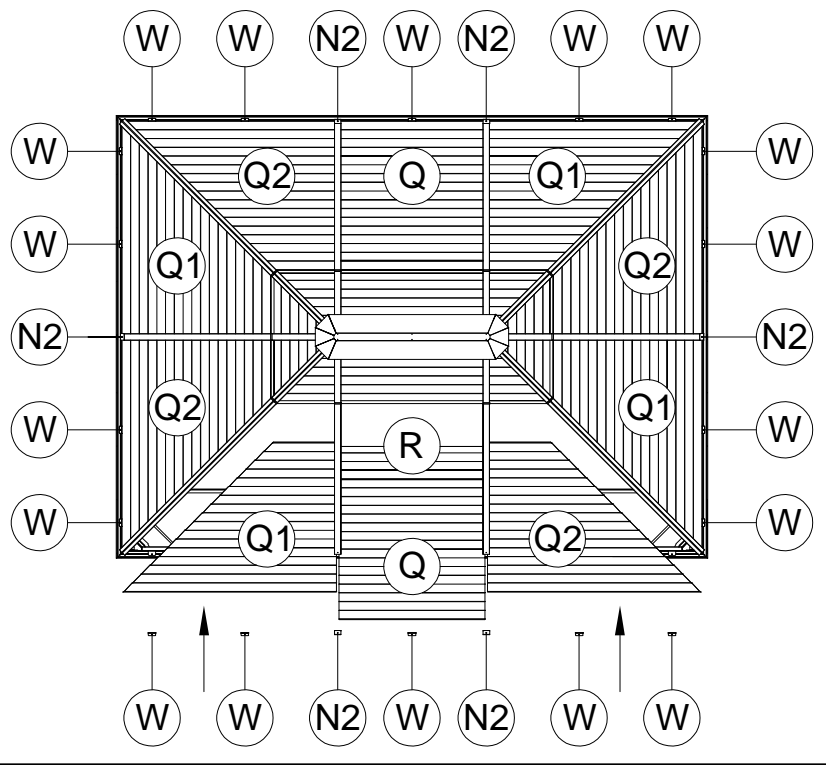
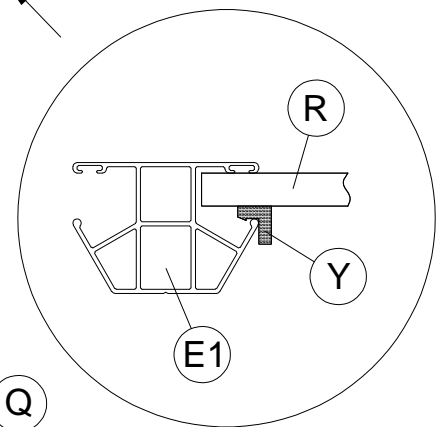
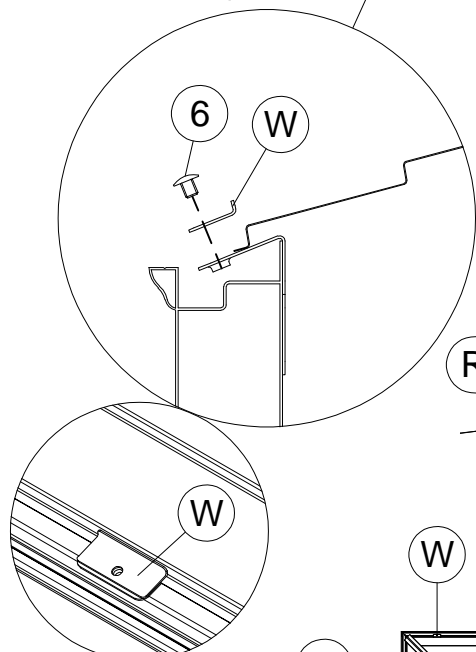
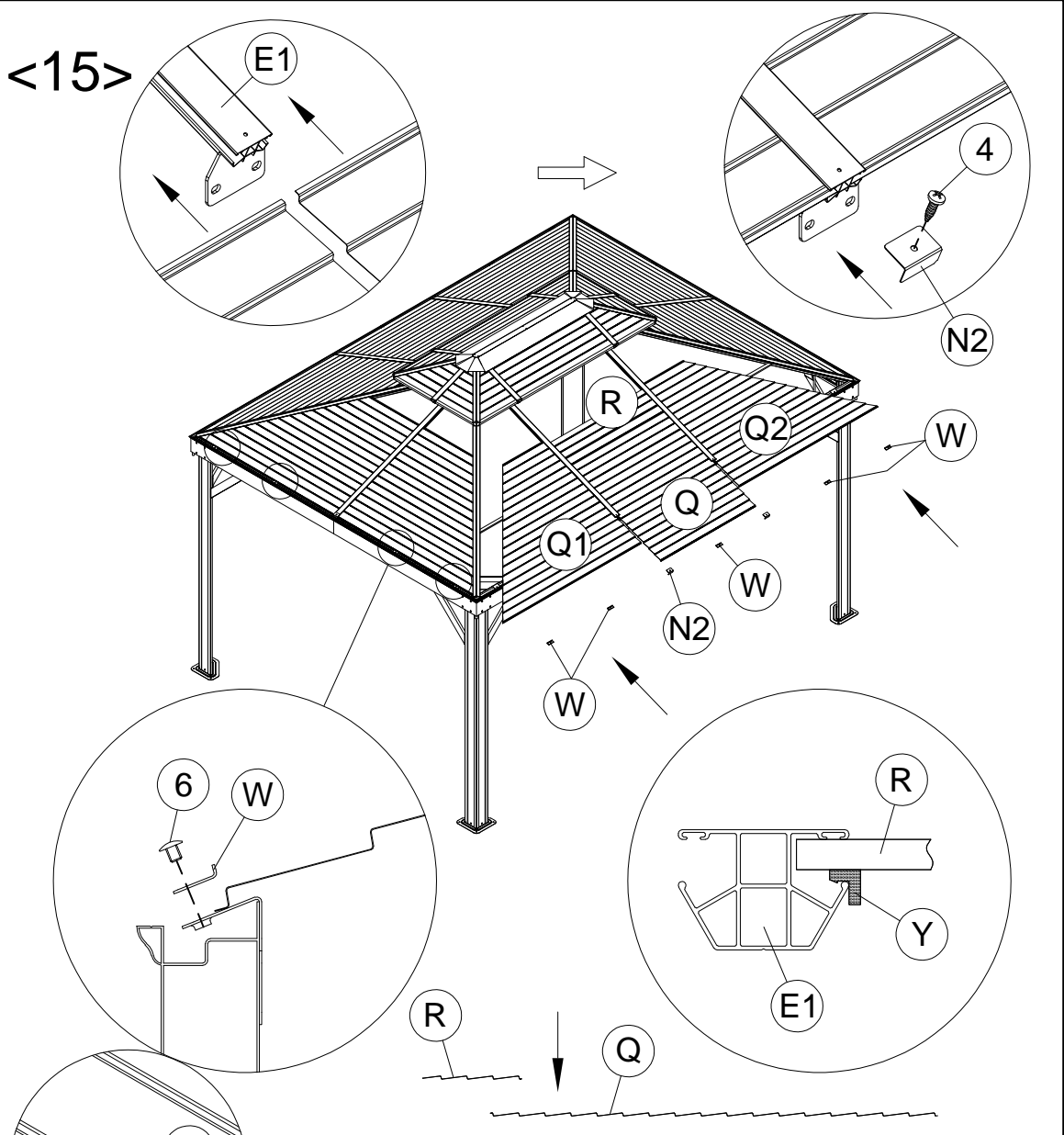
F2 4x

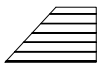
1 10x M6x15



<15>

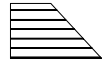
-  **Q** 2x
-  **Q1** 4x
-  **Q2** 4x
-  **R** 2x
-  **N2** 6x
-  **W** 18x
-  **Y** 44x
-  **4** ST4.8x12
6x
-  **6** 18x M5x6





<16>

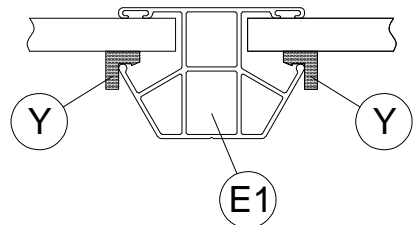
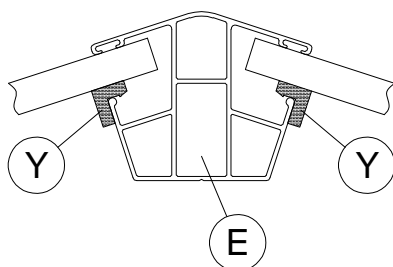
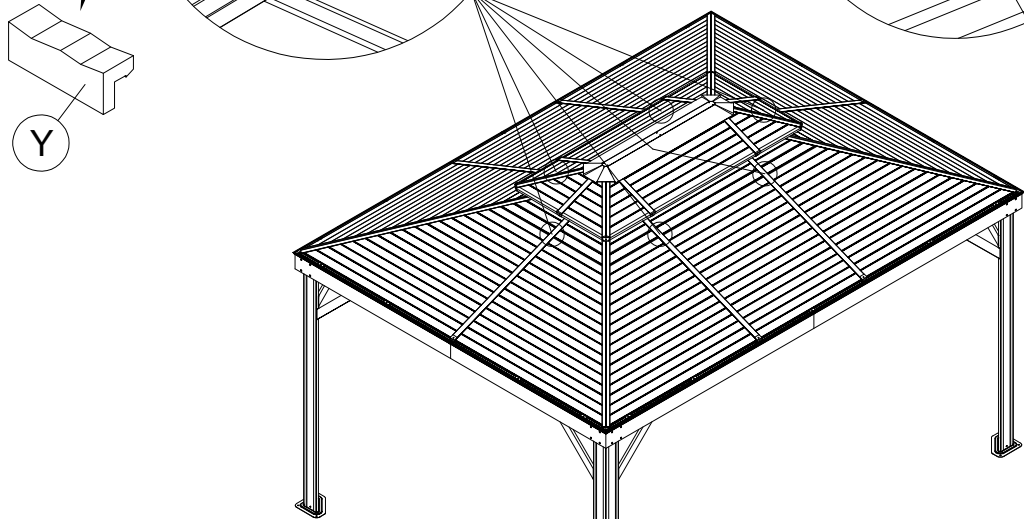
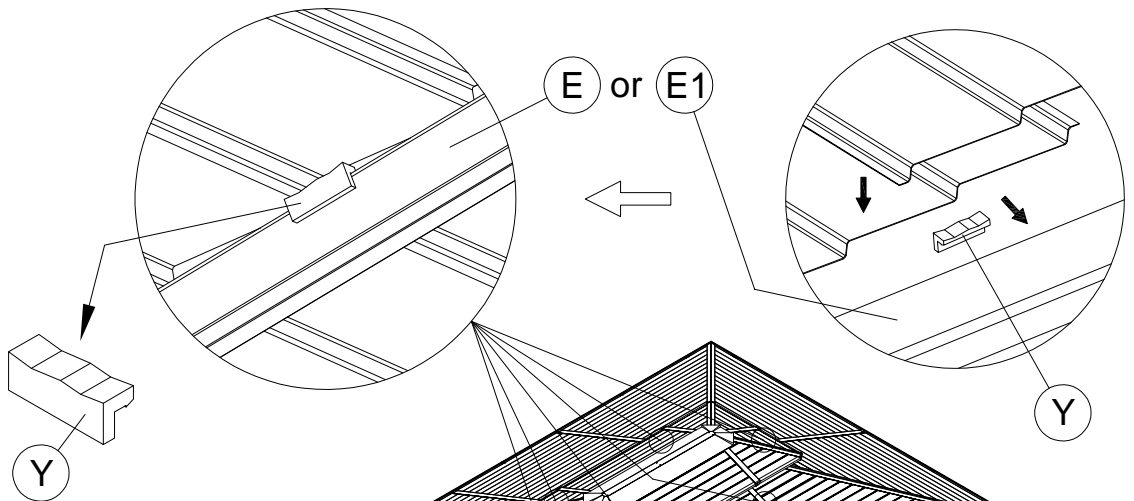
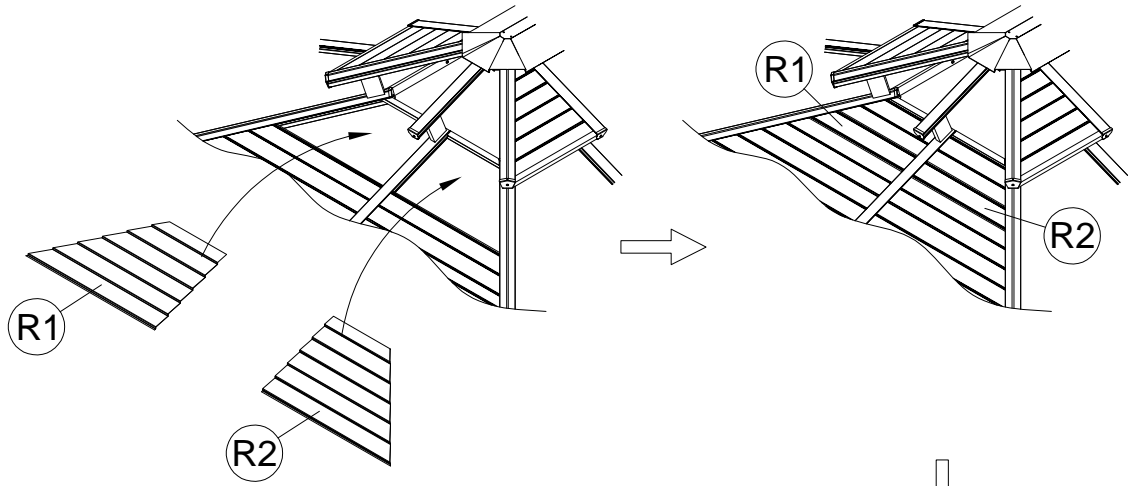
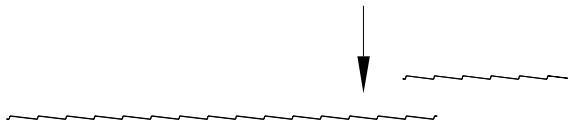
(R1) 4x



(R2) 4x



(Y) 16x



<17>

(D) 2x

(D1) 2x

(D2) 2x

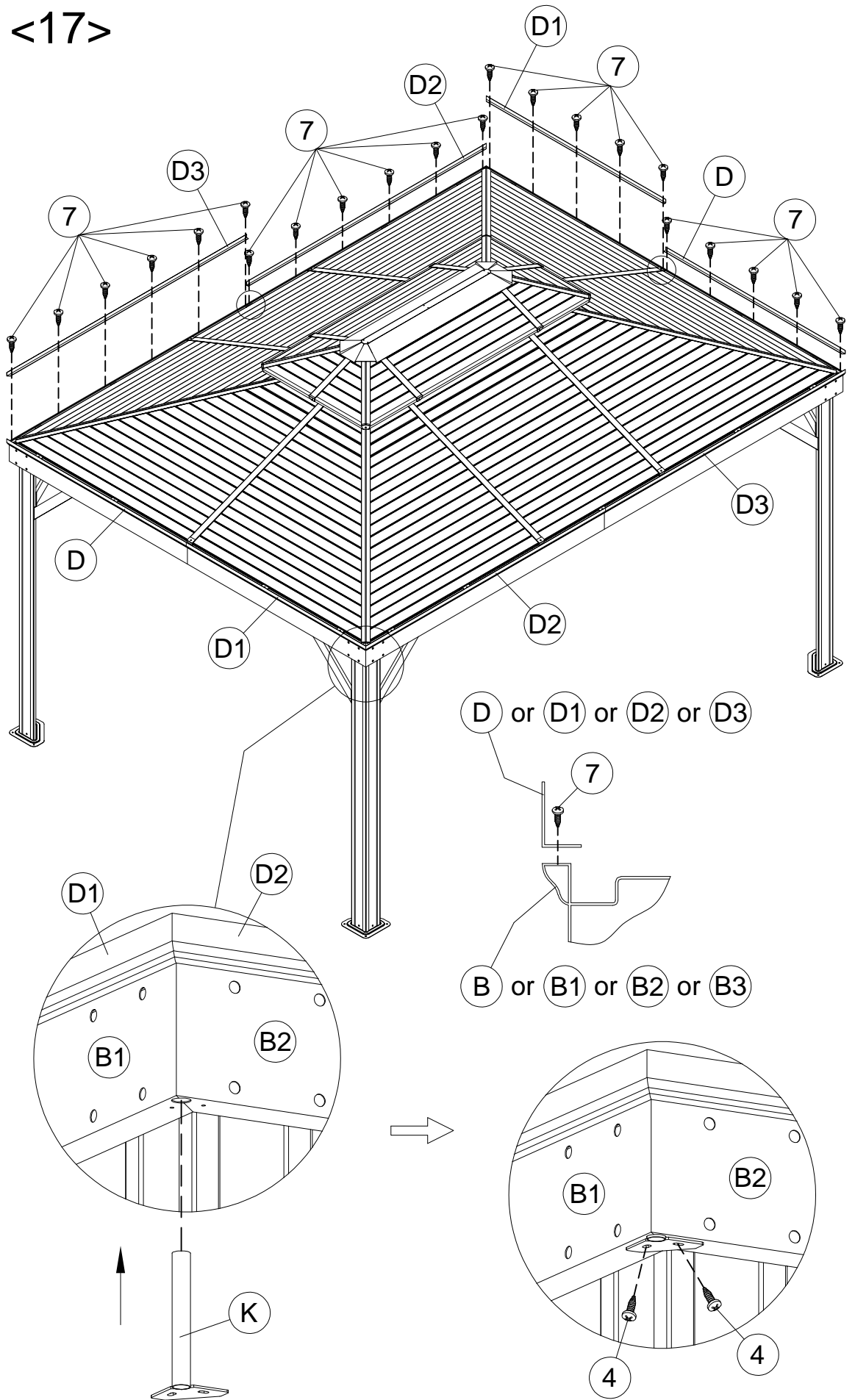
(D3) 2x

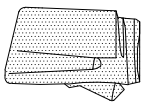
(K) 4x

(4) ST4.8x12
8x

(7) ST4x8
44x

22





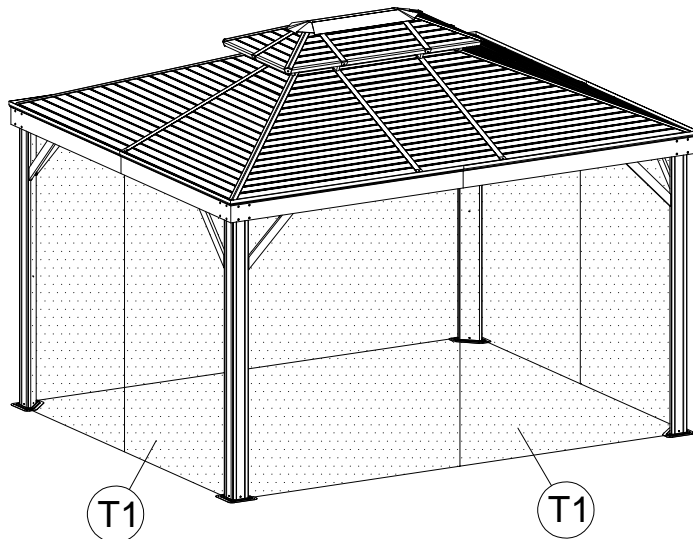
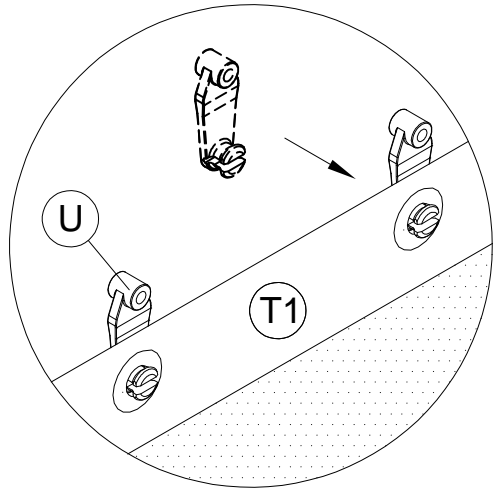
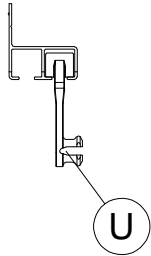
+



T1 4x + 1x

<18>

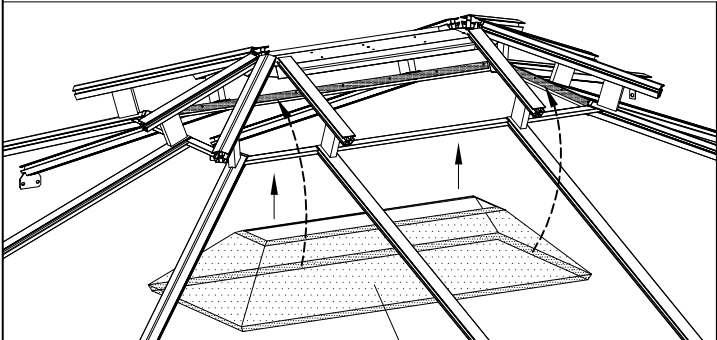
3



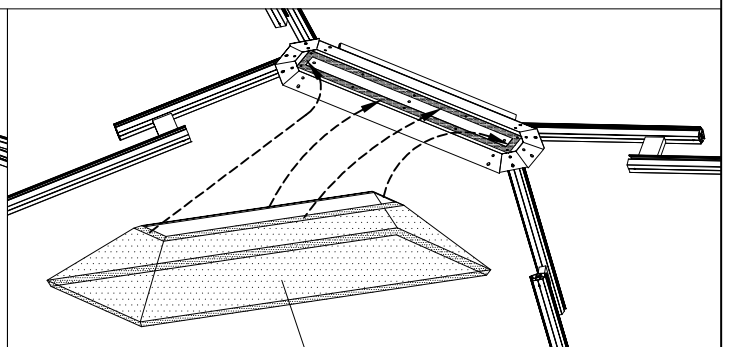
1



2

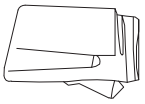


T1



T1

23

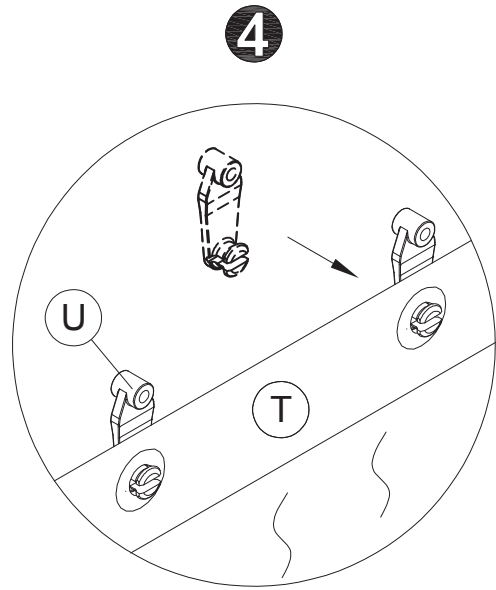
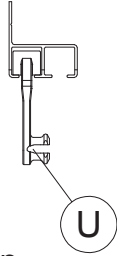


<19>

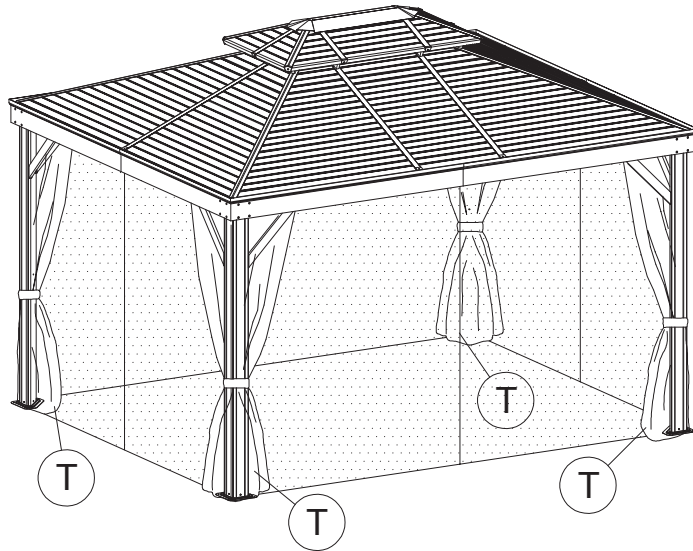
T 4x



U 52x



The curtains are not included in this product, please purchase separately if necessary



1



2



3

