

PROLINE *Pool Products*

RECHARGEABLE POOL VACUUM

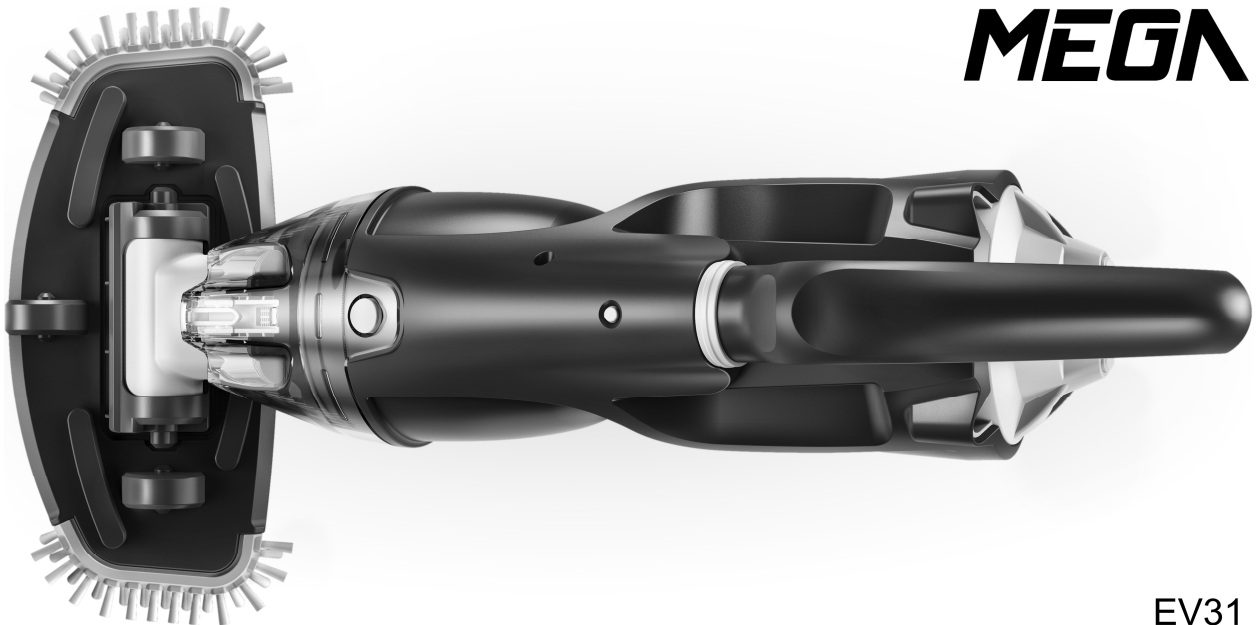
USER MANUAL

ASPIRATEUR SANS FIL RECHARGEABLE

MANUEL D'EMPLOI

LIMPIAFONDOS INALÁMBRICO RECARGABLE

MANUAL DE USUARIO



EV31

By **KOKIDO**[®]
Pool Product Innovations

Table Of Contents

PARTS DIAGRAM	P.4
SAFETY WARNINGS & INSTRUCTIONS	P.5
GETTING STARTED	P.7
Charging The Battery	P.7
Set-Up Before Use	P.9
Telescopic pole connector / handle assembly	P.9
Telescopic pole (not included) assembly	P.9
Suction head assembly	P.9
OPERATION	P.10
EMPTYING THE FILTER	P.11
MAINTENANCE & STORAGE	P.12
BATTERY DISPOSAL	P.13
How to remove the battery pack	P.14
TROUBLESHOOTING	P.15

Remark: Product/parts photos/drawings in this manual are for demonstration only.
Product/parts in photos/drawings may vary with the model purchased.

Table des matières

DIAGRAMME DES PIÈCES	P.16
AVERTISSEMENTS DE SÉCURITÉ ET INSTRUCTIONS	P.17
DÉBUT DES OPÉRATIONS	P.19
Chargement de la batterie	P.19
Réglage avant l'utilisation	P.21
Assemblage du connecteur de manche télescopique / poignée	P.21
Montage du manche télescopique (non inclus)	P.22
Assemblage de la tête d'aspiration	P.22
FONCTIONNEMENT	P.23
VIDER LE FILTRE	P.24
ENTRETIEN ET RANGEMENT	P.25
ÉLIMINATION DES BATTERIES	P.26
Comment retirer le bloc de batteries	P.27
REPÉRAGE DE PANNES	P.28

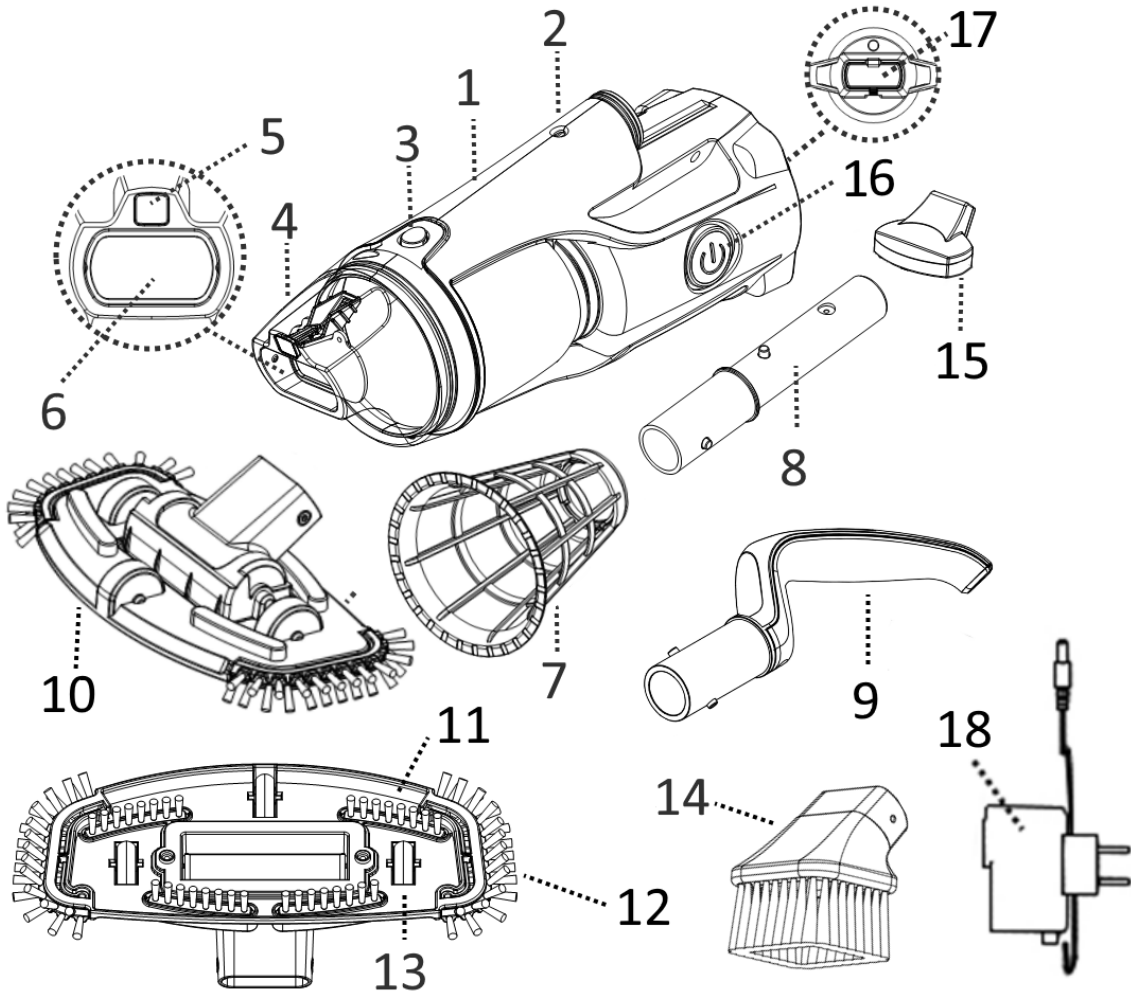
Remarque: Les photos / dessins de produits / pièces de ce manuel sont uniquement à titre de démonstration. Le produit / les pièces dans les photos / dessins peuvent varier en fonction du modèle acheté

Indice

DIAGRAMA DE LAS PARTES	P.29
AVISOS E INSTRUCCIONES DE SEGURIDAD	P.30
PRIMEROS PASOS	P.32
Carga de la batería	P.32
Montaje previo al uso	P.34
Montaje del conector de pértiga telescópica / manija	P.34
Montaje de la pértiga telescópica (no incluido)	P.34
Montaje del cabezal de succión	P.35
FUNCIONAMIENTO	P.35
VACIADO DEL FILTRO	P.36
MANTENIMIENTO Y ALMACENAMIENTO	P.38
ELIMINACIÓN DE LA BATERÍA	P.39
Cómo retirar el paquete de baterías	P.39
RESOLUCIÓN DE PROBLEMAS	P.41

Observación: Las fotografías/ilustraciones del producto o de sus piezas que aparecen en este manual solo se incluyen a modo de muestra. El producto o las piezas que aparecen en las fotografías/ilustraciones pueden variar respecto al modelo adquirido.

PARTS DIAGRAM



		Replacement Parts Number
1.	Main body	EV31-ASM01/US/PRO
2.	Locking hole (for pole connector /handle)	-----
3.	Locking button (for transparent canister)	-----
4.	Transparent canister	EV30-01/CP
5.	Water draining valve	-----
6.	Suction nozzle flap	-----
7.	Filter cage (preinstalled inside the main body)	EV31-02/CP
8.	Telescopic pole connector	K969ASM06/CP
9.	Curved handle	EV31-03/CP
10.	Pivoting suction head (with side brushes)	EV30-11/CP
11.	Brush X 4	EV30-ASM04/CP
12.	Side Brush X 2	EV30-ASM05/CP
13.	Wheel X 3	EV30-ASM07/CP
14.	Brush nozzle	EV51ASM02/CP
15.	Charger base	EV30-10US/LGRY
16.	Power ON/OFF button	-----
17.	Charging contact plate	-----
18.	Adaptor	EV1000163/US

Battery: Rechargeable Li-ion battery pack – 2000mAH, 7.4V, 14.8Wh

Charging voltage : 8.4V DC, 1.0 A

Motor: 7.2V DC

SAFETY WARNINGS & INSTRUCTIONS

Read and follow all instructions in this manual and on the equipment. Failure to do so could result in severe or fatal injuries.

WARNING!

- This is not a TOY. Children should be kept out of reach from this pool vacuum and its accessories.
- Never allow children to operate this product.
- This pool vacuum is not intended for use by someone with reduced physical, sensory or mental capabilities, or a lack of experience and knowledge unless they have been given instructions concerning the appliance and are under supervision of the person responsible for their safety.
- Make sure the pool vacuum is fully immersed in the water before operation. The minimum water level required to operate the device must reach above the power button of the pool vacuum when it is held in a vertical position. Operating the pool vacuum when it is not immersed in the water correctly could damage the unit and void the warranty as a result.
- Maximum operating depth in water is 3 meters (10ft).
- Maximum water temperature: 5°C (41°F) –35°C (95°F)
- DO NOT use power extension cords.
- Connect the external adaptor to a power source through a ground fault circuit interrupter (**GFCI**). If in doubt, consult a qualified professional electrician.
- Do not use this pool vacuum if any damage is detected.
- Replace damaged parts as soon as possible. Only use parts certified by the distributor or manufacturer.
- Turn off the power, disconnect the external adaptor from the power source, and unplug the external adaptor from the charging base before detaching the pool vacuum from the charging base.
- Disconnect the pool vacuum from the supply mains prior to carrying out user maintenance such as cleaning the filter.
- Detach the pool vacuum from the charging base and make sure the pool vacuum is OFF before servicing the product.
- Battery installed is a rechargeable Li-ion battery pack. Never attempt to replace the battery pack.
- The pool vacuum is only to be used with the external adaptor delivered with this product.
- You should not operate this pool vacuum when people/pets are present in the water.
- DO NOT use this pool vacuum without an intact filter cage in place, as your warranty will be voided as a result.
- Suction entrapment hazard: This pool vacuum generates suction. Do not allow hair, body, or any loose parts of your clothing to make contact with the suction hole of the pool vacuum during its operation.
- Never insert body parts, clothing or other objects into the openings and moving parts of the pool vacuum.
- DO NOT use this pool vacuum to pick up any toxic substance, flammable or combustible liquids such as gasoline, or in the presence of explosive or flammable fumes.
- Never attempt in any way to disassemble this pool vacuum.

- Under no circumstances should you attempt to disassemble the pool vacuum and replace the impeller, motor, and battery by yourself.
- Never insert any object to touch the impeller.
- External adaptor and charging base:
 - For indoor use only.
 - Never use the external adaptor and charging base for anything other than charging the battery of the pool vacuum that is supplied in the same pack.
 - The external adaptor and charging base should not be used outdoors, nor-exposed to rain, humidity, any liquid or heat.
 - Keep the external adaptor and charging base out of reach of children.
 - Never use the external adaptor and charging base if any damage is detected.
 - DO NOT handle the external adaptor and charging base with wet hands.
 - DO NOT handle the pool vacuum, external adaptor, and charging base while charging with wet hands and without shoes.
 - Keep the external adaptor disconnected from power when it is not in use.
 - Never attempt to open the external adaptor and charging base.
 - If the supply cord is damaged, it must be replaced by the manufacturer, its service agent or an equally-qualified person in order to prevent hazards of any kind.
 - Make sure the pool vacuum and the charging base are completely dry before charging.

CAUTION!

- This pool vacuum is designed for underwater use only; it is not an all-purpose vacuum cleaner. DO NOT attempt to use it to clean anything other than your pool / spa.
- Use only original accessories delivered with this product.
- DO NOT use this pool vacuum right after pool-shocking. It is recommended to leave the pool circulating for at least 24-48 hours.
- It is not recommended to use this pool vacuum with another pool vacuum/cleaner simultaneously.
- Avoid picking up hard, sharp objects with this product. They may damage the pool vacuum and filter.
- Exercise caution when cleaning pool stairs.
- Only use the charging base for its intended purpose as outlined in this manual.
- To avoid damaging the external adaptor and the cord, do not carry the pool vacuum by the cord or pull the cord to disconnect it from the power source and product.
- Charge the pool vacuum indoor in a clean, dry area with good ventilation and an ambient temperature between 5°C (41°F) and 30°C (86°F).
- DO NOT leave the pool vacuum charged for over 20 hours.
- If the pool vacuum will not be used for an extended period, detach it from the charging base and use a damp cloth to clean and dry the pool vacuum and accessories. Make sure to charge the pool vacuum completely before it is stored. Store in a well-ventilated area away from sunlight, heat, ignition sources, pool chemicals, and children. Never

leave the pool vacuum plugged in for long-term storage. Recharge the pool vacuum every three months.

Above warnings and cautions are not intended to incorporate all possible instances for risks and / or severe injuries. Pool / spa owners should always exercise extra caution and common sense when utilizing the product.

GETTING STARTED

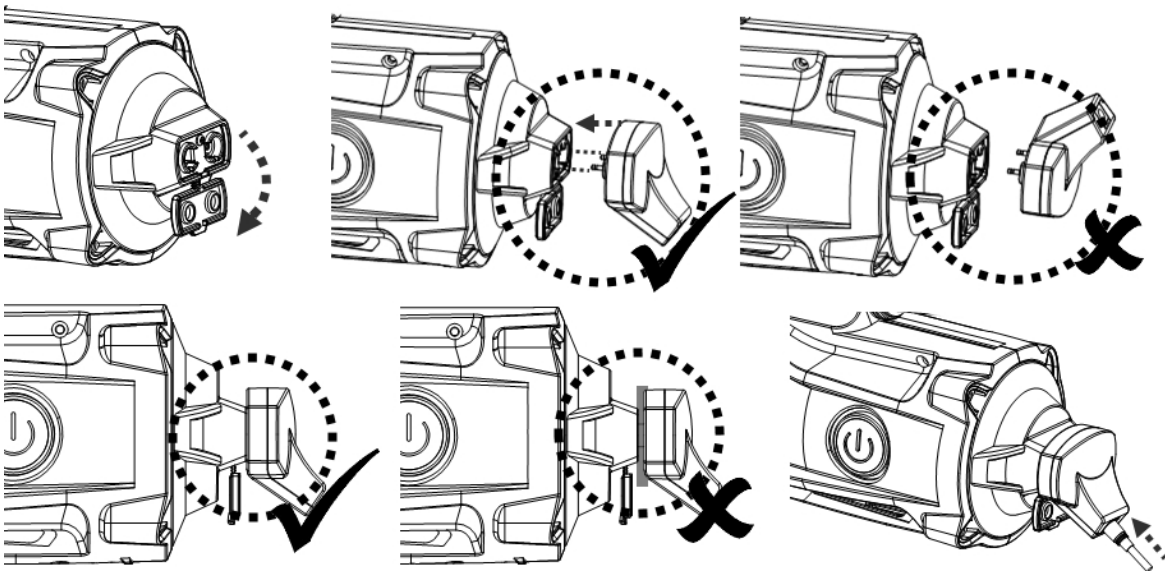
IMPORTANT NOTE: Fully charge the pool vacuum before using it for the first time.

Charging the battery

WARNING!

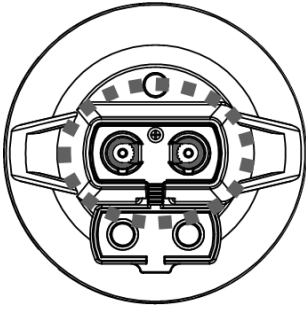
- Charging must be done indoors, in a well-ventilated area away from sunlight, children, heat, ignition sources, and with an ambient temperature between 5°C (41°F) and 30°C (86°F).
- Never use the external adaptor and charging base if any damage is detected.
- Use only the original external adaptor provided.
- Make sure the pool vacuum and the charging base are clean and dry before set-up.

Place the unit on a flat surface. Open the protective cap on the end of the body and align the 2 pins of the charger base above the charging sockets. **WARNING!** Make sure not to invert the position of the charger base. Press the charger base onto the rear body until the pins are inserted completely into the sockets. Plug the female jack of the external adaptor into the charging port at the end of the charging base.



Important note:

- Close the protective cap tightly after charging before operation
- In case, charging sockets gets wet, dry the area completely (eg, using cotton bud) before charging.



WARNING!

- DO NOT handle the pool vacuum, external adaptor and charging base while it is charging with wet hands and without shoes.
- Connect the external adaptor to the power source through a ground fault circuit interrupter (**GFCI**).
- Charge the pool vacuum with the original external adaptor provided.
- DO NOT use power extension cords.
- Fully charge the battery before first use.
- Charging must be done indoors, in a dry & well-ventilated area away from sunlight, children, heat, ignition sources, and with an ambient temperature between 5°C (41°F) and 30°C (86°F).
- Always disconnect the external adaptor from the power source when charging is complete.
- Do not leave the pool vacuum in charge for over 20 hours.
- Immediately turn the power off and disconnect the external adaptor from the power source if you detect any of the following conditions:
 - Offensive or unusual odor
 - Excessive heat
 - Deformation, cracks, leaks
 - Smoke

1. Make sure that the pool vacuum is turned off prior to charging.

2. Connect the external adaptor to the power source. Once the pool vacuum begins charging, the indicator light on the external adaptor will turn red. Normally, it takes about 4- 5 hours to reach a full charge. The indicator light will turn green when the pool vacuum is almost fully charged.

Note: If the motor is generating noise, immediately turn off the device by pressing the ON/OFF button. Otherwise, it could potentially lead to failure of the shaft seals / motor, and the warranty will be voided as a result.

Note: Charge the pool vacuum completely (about 4-5 hours) prior to the first use.

3. When charging is complete, disconnect the external adaptor from the power source and unplug the jack from the charging base.

4. Detach the charger base from the pool vacuum.

Normally, the pool vacuum can be operated up to 30 minutes on a full charge (charged for 4-5 hours)

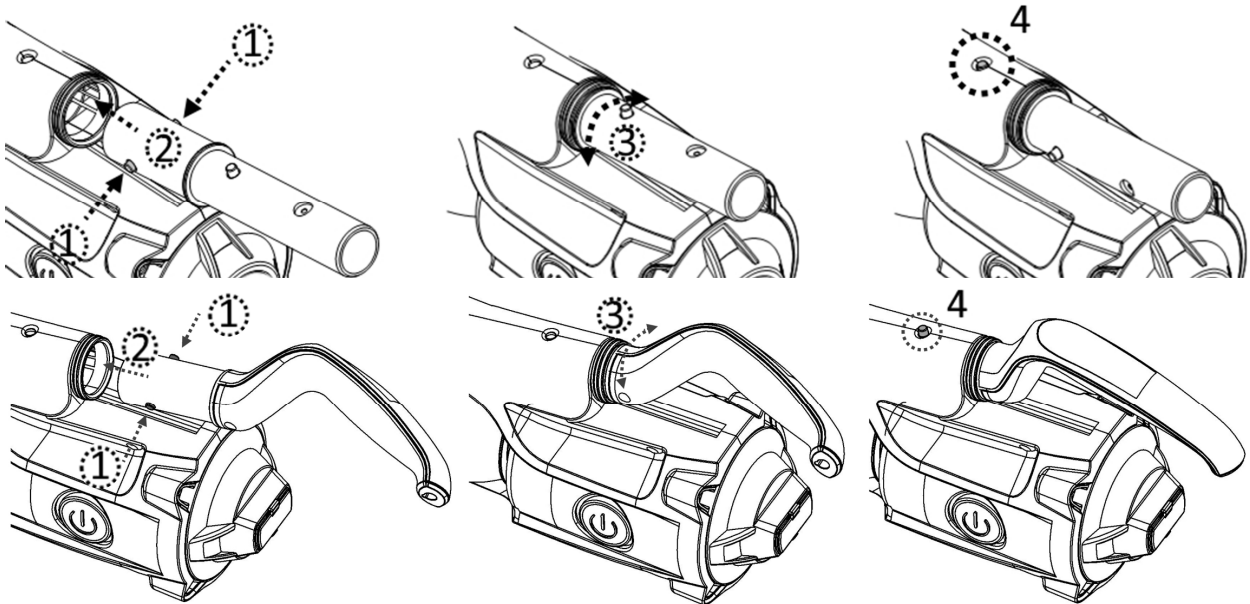
FACT: Rechargeable lithium-Ion battery is classified as a consumable item. It has a limited life and will gradually lose its capacity to hold a charge. Therefore, running time of the pool vacuum will gradually reduce through repeated charging and discharging in operation.

NOTE: Let the pool vacuum rest for 30 to 40 minutes before charging it again.

Set-Up Before Use

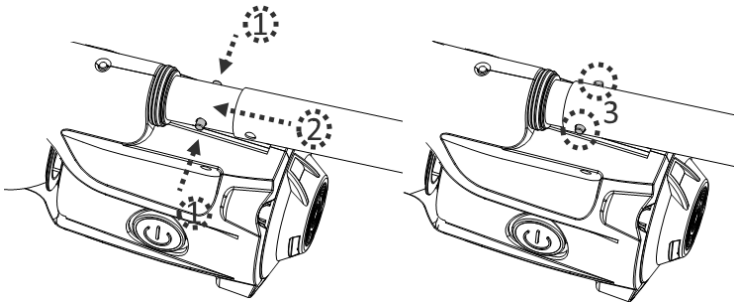
Telescopic pole connector / handle assembly

Press down the side pins of the connector/handle and insert it inside the main body. Turn the connector in either direction until the pin is secured in the hole, as shown in the diagram.



Telescopic pole assembly

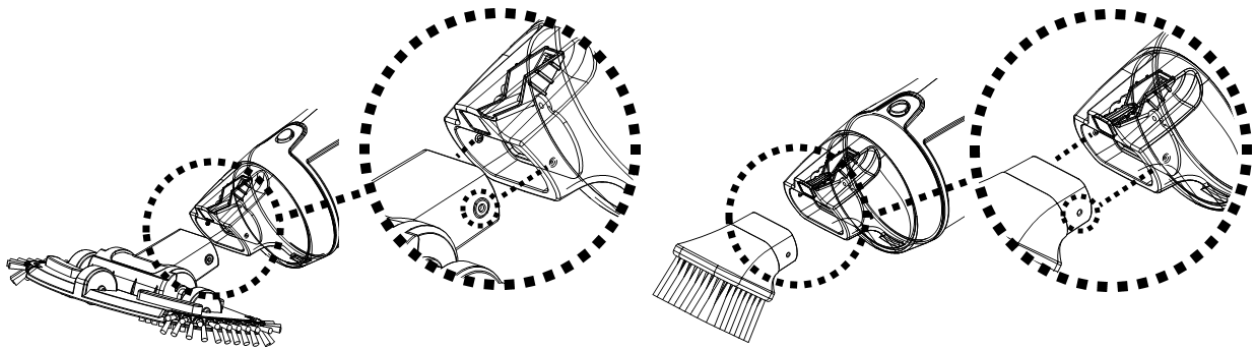
Note: a V-clip is installed inside the pole connector to secure the telescopic pole (not included) in position. Slide the telescopic pole onto the pole connector. Press on the side pins of the connector and slide the telescopic pole further down until the pins of the connector are secured inside the holes of the pole.



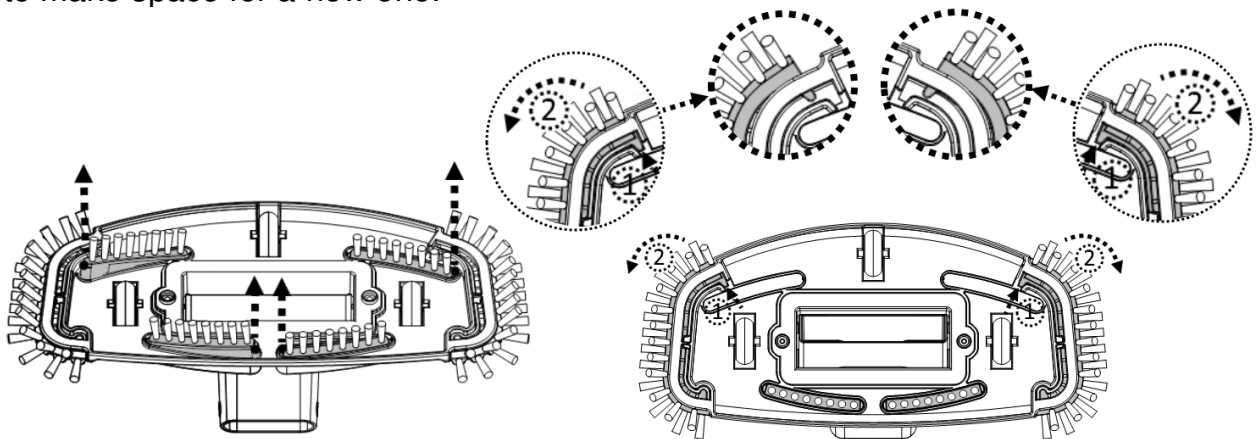
To release the telescopic pole, press down the side pins simultaneously and pull out the pole.

Suction head assembly

Insert the suction head directly into the suction mouth of the pool vacuum until the side tabs of the transparent case clip in the holes of the suction head's pivot.



NOTE: To replace the brushes on the suction head, lift one end and pull the brush out to make space for a new one.



WARNING! For vinyl liner and fibreglass pools, it is recommended to keep the brushes on the suction head to avoid damaging the pool.

OPERATION

WARNING!

- Do not use the pool vacuum if any damage is detected.
- Oil stain could occur due to possible leakage of lubricants applied to the O-ring.
- Do not operate this pool vacuum if there are people/pets present in the water.
- Make sure the pool vacuum is fully immersed in the water before initiating operation. The minimum water level required to operate the device must reach above the power button of the pool vacuum when it is held in a vertical position. Operating the pool vacuum when not immersed in the water correctly can damage the unit and the warranty will be voided as a result.
- Maximum operating depth in water is 3 meters (10ft).
- Maximum water temperature: 5°C (41°F) – 35°C (95°F)
- DO NOT use the pool vacuum without an intact filter cage in place. Using your pool vacuum without an intact filter cage in place will VOID your warranty.
- Suction entrapment hazard: This pool vacuum generates suction. Do not allow hair, body or any loose parts of your clothing to make contact with the suction mouth of the pool vacuum during its operation.
- Never insert body parts, clothing or other objects into the openings and moving parts.
- DO NOT use this pool vacuum to pick up any toxic substance, flammable or

combustible liquids such as gasoline, or operate in the presence of explosive or flammable fumes.

- DO NOT cover the side slot of the cleaner body during operation. The impeller/motor may be damaged as a result.
- Never insert any object to touch the impeller.

CAUTION

- Use only original accessories delivered with this product.
- DO NOT use this pool vacuum immediately after pool-shocking. It is recommended to leave the pool circulating for at least 24-48 hours.
- It is not recommended to use this pool vacuum with another pool vacuum/cleaner simultaneously.
- DO NOT leave the pool vacuum in the water when it is not in use or when battery is low as water leakage may occur.

1) Bring your pool vacuum to the side of your pool / spa. Immerse the pool vacuum in water and press the power button to initiate operation.

CAUTION! Make sure the pool vacuum is always facing downwards when it is placed into the pool. Otherwise it may bend the pole connector and damage it during the process.

2) To remove the pool vacuum from the pool / spa, lift the pool vacuum while pointing it downwards in order to allow water to escape from the outlet valve. Water is going to escape via the handle / pole connector and draining holes inside the handle chamber on the rear body.

CAUTION! Make sure the pool vacuum is always facing downwards when it is removed from the pool. Otherwise, the pole connector may be bent and damage the pool vacuum in the process.

3) Rinse the pool vacuum with fresh water after every use. DO NOT use any detergent.

EMPTYING THE FILTER

WARNING! Using the pool vacuum without a filter cage in place will VOID your warranty.

In order to maximize the cleaning efficiency, be sure to clean the filter cage before and after each use.

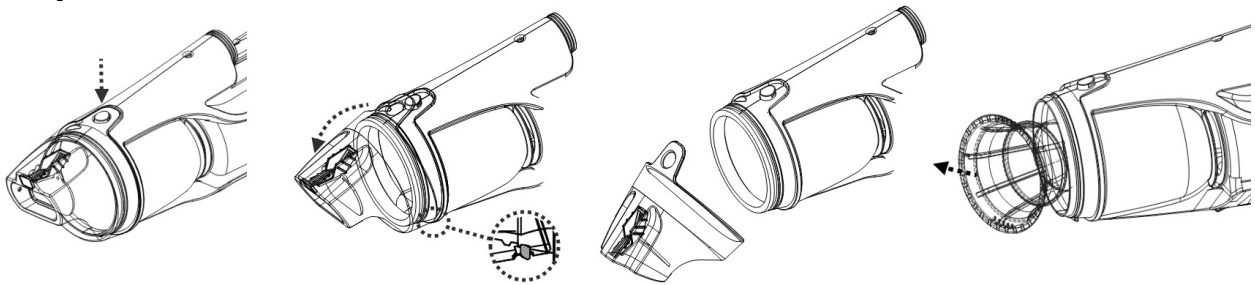
CAUTION! If the pool vacuum is charging, disconnect the external adaptor from the power source and detach the pool vacuum from the charger base.

- Emptying the filter cage

1. Place the pool vacuum on a stable surface.

2. Press the locking button until the locking hole on the clear canister is released. Slide the canister away until the notch on the bottom of canister opening is released

from the hook on the bottom of main body. Remove the filter cage from the main body.

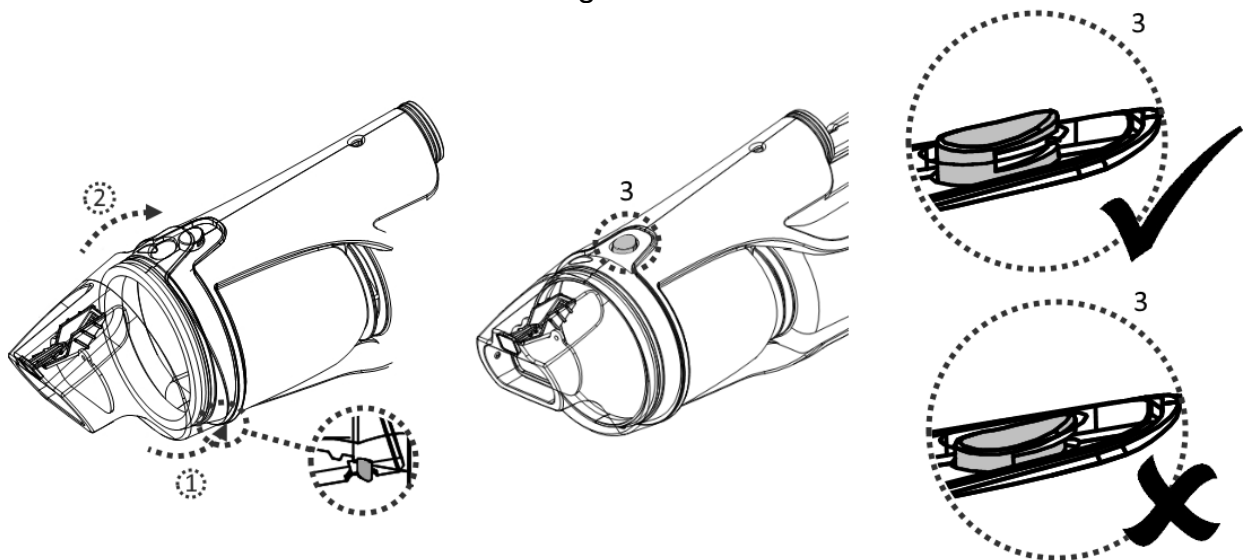


CAUTION! Replace the damaged filter cage immediately before the next operation.

3. Clean out the debris and rinse the filter cage with water. If brushing is deemed necessary, use only a soft brush to clean the cage gently and carefully.

4. Re-position the filter cage inside the main body. Make sure the filter cage is completely inserted inside the main body.

To re-install the canister, first align the notch of the canister with the hook on main body and then press the canister onto main body. Make sure the locking hole on the clear canister is secured with the locking button.



MAINTENANCE & STORAGE

NOTE:

1. Battery discharges on its own during storage. Make sure to fully-charge the pool vacuum before storage.
 2. You must re-charge the battery at least once every three months when it is not in use.
- Unplug the external adaptor from socket and then unplug the adapter jack from the charging base.
 - Detach accessories from the pool vacuum. If necessary, rinse the pool vacuum and accessories with fresh water. DO NOT use detergent.
 - Make sure to drain the water from the unit, handle and pole connector.
 - Use a damp cloth to clean and dry the pool vacuum and its accessories.

- Store them in a well-ventilated area away from the sunlight, children, heat, ignition sources, and pool chemicals. Ambient temperature for storage should be 10°C – 25°C (50°F – 77°F). NOTE: A higher temperature may reduce the battery life during storage.

WARNING!

- Never attempt in any way to disassemble the pool vacuum.
- Under no circumstances should you attempt to disassemble the pool vacuum and replace the impeller, motor and battery by yourself.

CAUTION!

- Excessive heat can damage the battery and reduce its lifespan as a result.
- The battery supplied with your pool vacuum lasts for about 300 charging cycles (with proper charging and operation). Replace your pool vacuum with a new battery if the following happens. Consult your dealer regarding battery replacement.
 - Battery appears damaged or will not charge fully.
 - Battery operation time is noticeably reduced. Observe and note down the run times of operation of the first few times (on a full charge). Use these run times as a reference point to compare run times with older batteries.
- The battery must be removed from the pool vacuum before it is scrapped.
- The pool vacuum must be disconnected from the supply mains when removing the battery
- The battery is to be disposed safely and according to local ordinances or regulations.

NOTE: Incorrect maintenance may reduce the battery life and affect its capacity as a result.

BATTERY DISPOSAL

Your pool vacuum battery is a maintenance-free rechargeable lithium-ion battery pack, which must be disposed properly. Recycling is required; please contact your local authority for information.

WARNING!

Never attempt to disassemble a battery pack

- Remove all personal items such as rings, bracelets, necklaces and watches when the battery pack is unwired from the pool vacuum.
- A battery can produce a short circuit current high enough to weld a ring (or similar item) to metal, causing a severe burn in the process.
- Wear complete eye protection, gloves and protective clothing when the battery pack is being removed.
- Avoid touching the wires altogether and avoid allowing them to make contact with any metal items, which could cause sparking and/or short circuit the battery.
- Never smoke or allow a spark or flame in the vicinity of the battery or the pool vacuum.
- Do not expose the battery to fire or intense heat as this may result in an explosion.

CAUTION!

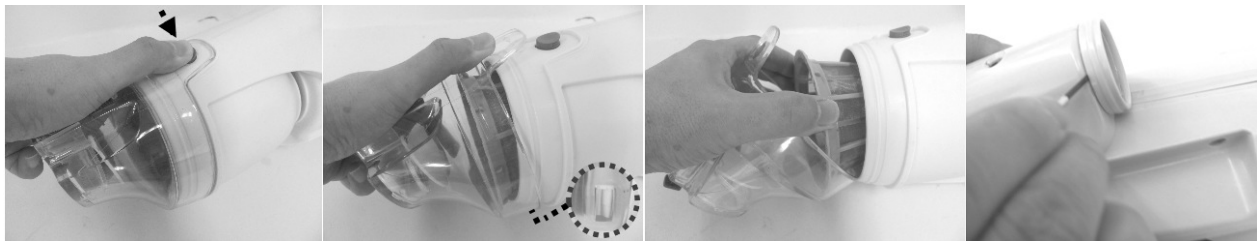
If a battery leak occurs, avoid contact with the leaking fluids and place the damaged battery in a plastic bag.

- If leaking fluids come in contact with skin and clothing, wash immediately with plenty of soap and water.
- If leaking fluids come in contact with eyes, immediately flush eyes with cool running water for at least 15 minutes and do not rub them. Seek medical attention as soon as possible.

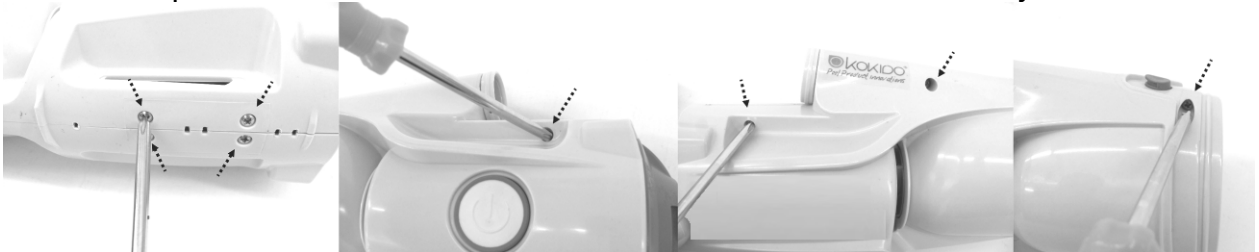
How to remove the battery pack

Recommended tools (not included): Philips screwdriver and small slot screwdriver

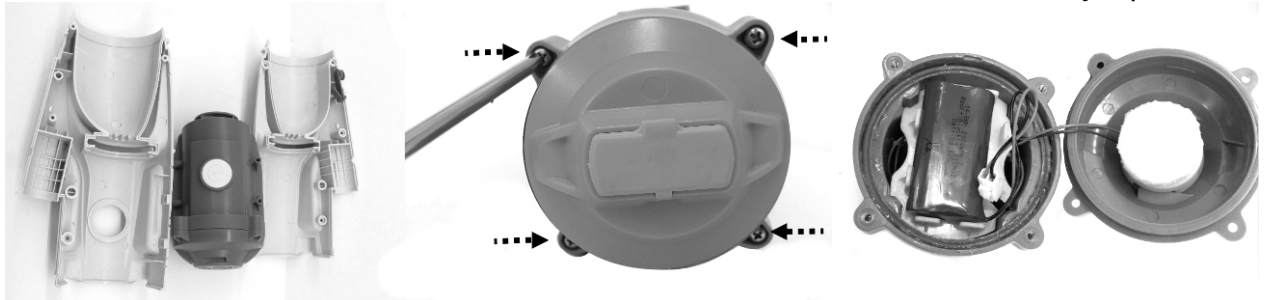
1. Press on the locking button and detach the clear canister from the body. Use a small screwdriver to detach the ring from the body. It is hard to detach the ring by screwdriver, use cutting plier to cut.



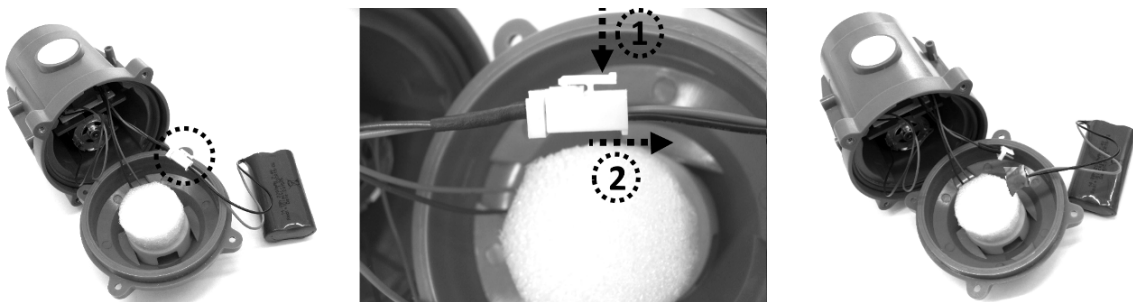
2. Use Philips screwdriver to unscrew all the screws on the main body/



3. Separate the body in two halves to access the main chamber. Use a Philips screwdriver to remove the end cover and access the battery pack.



4. Take out the battery pack from the main chamber. To detach the battery pack, press the clip on the connector and pull it out. NOTE: Wrap the connector immediately with insulating tape in order to avoid short circuit caused by the contact of both wire terminals.



TROUBLESHOOTING

Problem	Possible Cause	Solution
Pool vacuum does not capture debris	Battery is running out	Charge the battery again.
	Impeller is jammed	Power off the pool vacuum and visually check the gap in the middle of the pool vacuum to see if the impeller is jammed by large debris. If possible, use a small tool to remove the debris carefully. If necessary, contact your dealer for further instructions. WARNING! Make sure the pool vacuum is powered off when the unit is being serviced.
	Impeller is broken	Contact your dealer for impeller replacement.
	Filter cage is full	Clean the filter cage.
Debris escapes from the filter	Suction nozzle flap is broken	Suction nozzle flap works like a door to prevent debris from escaping from the filter. Contact dealer for replacement part and instructions.
	Filter cage is damaged.	Replace with a new filter cage.
	Outlet valve comes off.	Without the outlet valve, the pool vacuum might capture debris through this opening. Contact dealer for a valve replacement.
Handle/telescopic pole connector cannot be secured in assembly	Side pin on handle/pole connector is broken	Replace with a new handle/pole connector.
Pool vacuum cannot be charged / recharged	Battery is damaged	Contact dealer for battery replacement. WARNING! DO NOT open the pool vacuum and replace the battery by yourself. This could result in severe or fatal injury and the warranty will be voided as a result.
	Contact pins of the charger base and unit are not connected.	Make sure that the charger base is assembled on the unit properly and the contact pins are connected.
	External adaptor damaged	Contact dealer for replacement. WARNING! Using the wrong external adaptor will result in damaging the pool vacuum / battery and voiding the warranty as a result.
Pool vacuum does not move smoothly	Wheel is jammed	Clean out the debris from the wheel.

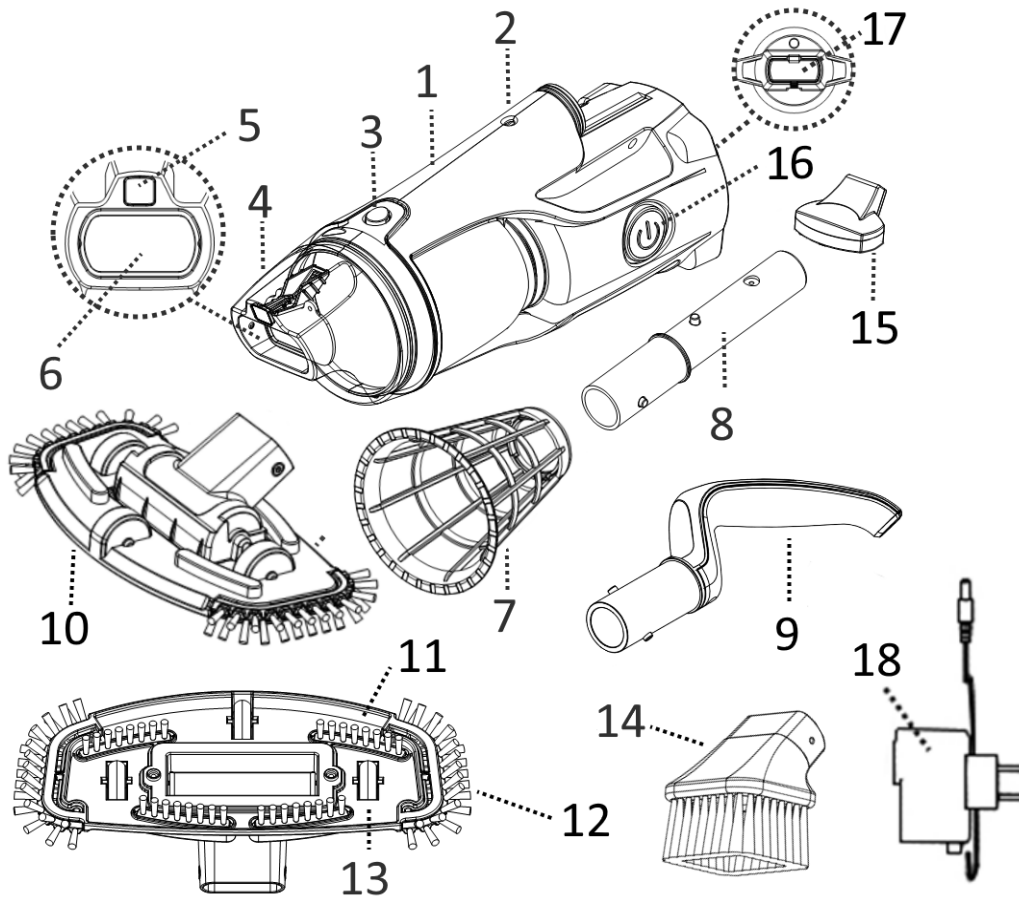
© 2019 Kokido Development Ltd.

19002018

All rights reserved. No part of this document may be reproduced or transmitted in any form or by any means, electronic, mechanical, photocopying, recording, or otherwise, without prior written permission of Kokido Development Ltd. (V1)

If soft copy of this instruction manual is required, please contact our customer service by email: customerservice@kokido.com

DIAGRAMMES DES PIECES



Numéro de pièce détachée

1.	Corps principal	EV31-ASM01/US/PRO
2.	Orifice de verrouillage (pour le connecteur de manche/poignée)	----
3.	Bouton de verrouillage (pour le couvercle transparent)	----
4.	Couvercle transparent	EV30-01/CP
5.	Valve de drainage	----
6.	Rabat d'aspiration	----
7.	Cage de filtre (préinstallé dans le corps principal)	EV31-02/CP
8.	Connecteur de manche télescopique	K969ASM06/CP
9.	Poignée courbée	EV31-03/CP
10.	Tête pivotante aspirante (avec des brosses latérales)	EV30-11/CP
11.	Brosse x 4	EV30-ASM04/CP
12.	Brosse latérales x 2	EV30-ASM05/CP
13.	Roue x 3	EV30-ASM07/CP
14.	Embout avec brosse	EV51ASM02/CP
15.	Base de chargement	EV30-10US/LGRY
16.	Bouton marche/arrêt	----
17.	Plaques de contact (pour la recharge)	----
18.	Adaptateur	EV1000163/US

Batterie : Bloc de batteries à lithium rechargeable, – 2000mAh, 7.4V, 14.8Wh

Tension de charge : 8.4V DC, 1.0 A

Moteur : 7.2V DC

AVERTISSEMENTS DE SÉCURITÉ ET INSTRUCTIONS

Lire et suivre toutes les instructions figurant dans ce manuel et sur l'équipement. Ne pas le faire pourrait donner lieu à des blessures graves ou mortelles.

AVERTISSEMENT !

- Ceci n'est pas un JOUET. Les enfants doivent être maintenus hors de la portée de cet aspirateur de piscine et de ses accessoires.
- Ne jamais permettre aux enfants de faire fonctionner ce produit.
- Cet aspirateur de piscine n'est pas prévu pour être utilisé par quelqu'un avec ses capacités physiques, sensorielles ou mentales diminués, ou un manque d'expérience et de connaissances à moins d'avoir reçu des instructions déterminées relatives à l'appareil et sous la supervision de la personne responsable de leur sécurité.
- S'assurer que l'aspirateur de piscine est totalement immergé dans l'eau avant l'exécution du travail. Le niveau d'eau minimum requis pour faire fonctionner le dispositif doit dépasser le bouton d'alimentation de l'aspirateur de piscine lorsqu'il est tenu dans une position verticale. Faire fonctionner l'aspirateur de piscine lorsqu'il n'est pas immergé correctement dans l'eau peut endommager l'unité et annuler de ce fait la garantie.
- La profondeur maximale de fonctionnement dans l'eau est de 3 mètres (10 pieds).
- Température maximale de l'eau : 5°C – 35°C
- Ne pas utiliser de rallonges de câble électrique.
- Brancher l'adaptateur externe à une source d'alimentation à travers un disjoncteur différentiel de fuite à la terre (DDFT). En cas de doute, consulter un électricien professionnel qualifié.
- Ne pas utiliser cet aspirateur de piscine si un dommage quelconque est détecté.
- Remplacer les pièces endommagées le plus rapidement possible. N'utiliser que des pièces certifiées par le distributeur ou le fabricant.
- Mettre hors tension, débrancher l'adaptateur externe de la source d'alimentation, et débrancher l'adaptateur externe de la base de chargement avant de séparer l'aspirateur de piscine de la base de chargement.
- Débrancher l'aspirateur de piscine de l'alimentation principale avant de réaliser la maintenance d'utilisateur telle que le nettoyage du filtre.
- Retirer l'aspirateur de piscine de la base de chargement et s'assurer que l'aspirateur de piscine est hors tension avant la mise en service du produit.
- La batterie installée est un bloc de batteries rechargeables au lithium. Ne jamais tenter de remplacer le bloc de batteries.
- L'aspirateur de piscine ne doit être utilisé qu'avec l'adaptateur externe livré avec ce produit.
- Vous ne devez pas faire fonctionner cet aspirateur de piscine lorsque des personnes/animaux de compagnie sont présents dans l'eau.
- Ne pas utiliser cet aspirateur de piscine sans un cage de filtre intact en place, car votre garantie serait annulée de ce fait.
- Danger de piégeage de l'aspiration : Cet aspirateur de piscine produit une aspiration. Ne pas permettre que les cheveux, le corps, ou toutes parties lâches de vos vêtements entrent en contact avec l'orifice d'aspiration de l'aspirateur de piscine pendant son fonctionnement.

- Ne jamais introduire des parties du corps, vêtements ou autres objets dans les ouvertures et pièces mobiles de l'aspirateur de piscine.
- Ne pas utiliser cet aspirateur de piscine pour ramasser toute substance toxique, des liquides inflammables ou combustibles tels que l'essence, ou en présence de fumées explosives ou inflammables.
- Ne jamais tenter de démonter d'une quelconque façon cet aspirateur de piscine.
- En aucun cas, vous ne devrez tenter de démonter l'aspirateur de piscine et de remplacer la turbine, le moteur, et la batterie de par vous-même.
- Ne jamais introduire un quelconque objet qui toucherait la turbine.
- Adaptateur externe et base de chargement :
 - À utiliser uniquement à l'intérieur.
 - Ne jamais utiliser l'adaptateur externe et la base de chargement pour tout autre chose que le chargement de la batterie de l'aspirateur de piscine qui est fournie dans le même bloc.
 - L'adaptateur externe et la base de chargement ne doivent pas être utilisés à l'extérieur, ni exposés à la pluie, à l'humidité, à un quelconque liquide ou à la chaleur.
 - Maintenir l'adaptateur externe et la base de chargement hors de la portée des enfants.
 - Ne jamais utiliser l'adaptateur externe et la base de chargement si un dommage quelconque est détecté.
 - NE PAS manipuler l'adaptateur externe et la base de chargement avec des mains humides.
 - NE PAS manipuler l'aspirateur de piscine, l'adaptateur externe, et la base de chargement pendant la charge avec des mains humides et sans chaussures.
 - Maintenir l'adaptateur externe débranché du courant lorsqu'il n'est pas utilisé.
 - Ne jamais tenter d'ouvrir l'adaptateur externe et la base de chargement.
 - Si le cordon d'alimentation est endommagé, il doit être remplacé par le fabricant, son agent de service ou une personne également qualifiée afin de prévenir des dangers de tout type.
 - S'assurer que l'aspirateur de piscine et la base de chargement sont complètement secs avant de charger.

MISE EN GARDE !

- Cet aspirateur de piscine est uniquement conçu pour une utilisation sous l'eau ; il ne s'agit pas d'un aspirateur tout usage. NE PAS tenter de l'utiliser pour nettoyer tout autre chose que votre piscine / spa.
- Utiliser uniquement les accessoires originaux livrés avec ce produit.
- Ne pas utiliser cet aspirateur de piscine juste après le nettoyage chimique de la piscine. Il est recommandé de laisser circuler l'eau dans la piscine durant au moins 24-48 heures.
- Il n'est pas recommandé d'utiliser cet aspirateur de piscine avec un autre aspirateur de piscine/épuration simultanément.
- Éviter de ramasser des objets durs ou pointus avec ce produit. Ils peuvent endommager l'aspirateur de piscine et le filtre.
- Prendre des précautions lors du nettoyage des marches de la piscine.

- N'utiliser la base de chargement que pour le but prévu, tel que décrit dans ce manuel.
- Pour éviter d'endommager l'adaptateur externe et le cordon, ne pas transporter l'aspirateur de piscine par le cordon et ne pas tirer sur le cordon pour le débrancher de la source d'alimentation et du produit.
- Charger l'aspirateur de piscine à l'intérieur dans une zone propre et sèche avec une bonne aération et une température ambiante entre 5°C et 30°C.
- NE PAS laisser l'aspirateur de piscine chargé pendant plus de 20 heures.
- Si l'aspirateur de piscine n'est pas utilisé pendant une longue période de temps, le séparer de la base de chargement et utiliser un chiffon humide pour nettoyer et sécher l'aspirateur de piscine et ses accessoires. S'assurer de décharger l'aspirateur de piscine complètement avant de le ranger. Le ranger dans une zone bien aérée éloignée de la lumière solaire, de la chaleur, des sources d'ignition, des produits chimiques pour la piscine et des enfants. Ne jamais laisser l'aspirateur de piscine branché pour un stockage à long terme. Recharger l'aspirateur de piscine tous les trois mois.

Les avertissements et mises en garde ci-dessus ne prétendent pas inclure tous les possibles cas de risques et / ou de blessures graves. Les propriétaires de piscine / spas doivent toujours prendre des précautions supplémentaires et utiliser leur bon sens lorsqu'ils utilisent le produit.

DÉBUT DES OPÉRATIONS

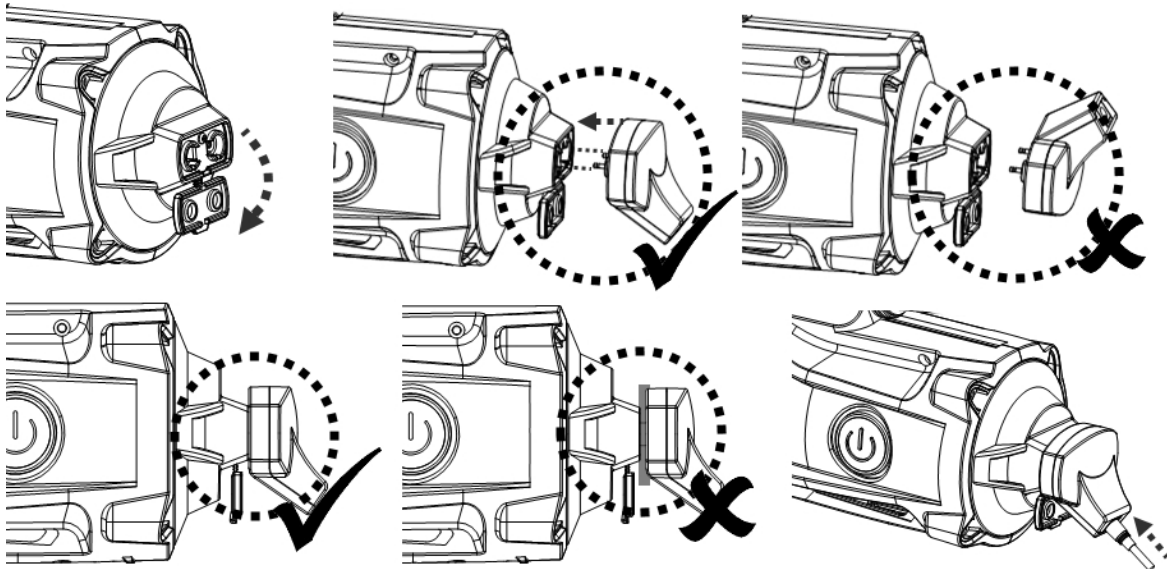
NOTE IMPORTANTE : Charger complètement l'aspirateur de piscine avant de l'utiliser pour la première fois.

Chargement de la batterie

AVERTISSEMENT !

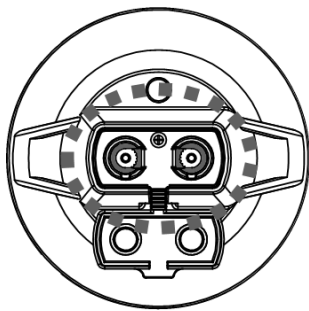
- Le chargement doit être effectué à l'intérieur, dans une zone bien aérée éloignée de la lumière solaire, des enfants, de la chaleur, des sources d'ignition, et avec une température ambiante entre 5°C et 30°C.
- Ne jamais utiliser l'adaptateur externe et la base de chargement si un dommage quelconque est détecté.
- Utiliser uniquement l'adaptateur externe original qui est fourni.
- S'assurer que l'aspirateur de piscine et la base de chargement sont propres et secs avant le réglage.

Placer l'unité sur une surface plate. Ouvrir le bouchon protecteur sur la partie arrière du corps et aligner les 2 branches de la base du chargeur au dessus des orifices de recharge. **AVERTISSEMENT !** S'assurer de ne pas inverser la position de la base du chargeur. Appuyer la base du chargeur dans le corps arrière jusqu'à ce que les branches soient branchées dans les orifices. Brancher l'embout femelle de l'adaptateur externe dans l'orifice situé à l'arrière de la base de chargement.



Notice Importante:

- Après avoir rechargé l'appareil et avant la prochaine utilisation, refermer le bouchon protecteur.
- Si les orifices de recharge sont mouillés, s'assurer de les sécher complètement (par exemple avec un coton d'ouate) avant la recharge.



AVERTISSEMENT !

- NE PAS tenir l'aspirateur de piscine, l'adaptateur externe et la base de chargement pendant qu'ils sont chargés avec des mains humides et sans chaussures.
- Brancher l'adaptateur externe à la source d'alimentation à travers un disjoncteur différentiel de fuite à la terre (DDFT).
- Charger l'aspirateur de piscine avec l'adaptateur externe original fourni.
- Ne pas utiliser de rallonges de câble électrique.
- Charger complètement la batterie avant sa première utilisation.
- Le chargement doit être effectué à l'intérieur, dans une zone sèche et bien aérée, éloignée de la lumière solaire, des enfants, de la chaleur, des sources d'ignition, et avec une température ambiante entre 5°C et 30°C.
- Toujours débrancher l'adaptateur externe de la source d'alimentation lorsque le chargement est terminé.
- Ne pas laisser l'aspirateur de piscine en charge pendant plus de 20 heures.
- Mettre immédiatement hors tension et débrancher l'adaptateur externe de la source d'alimentation si vous détectez l'une quelconque des conditions suivantes :
 - Odeur désagréable ou inhabituelle
 - Chaleur excessive
 - Déformation, fissures, fuites
 - Fumée

1. S'assurer que l'aspirateur de piscine est hors tension avant de le charger.
2. Brancher l'adaptateur externe à la source d'alimentation. Une fois que l'aspirateur de piscine commence à se charger, le voyant lumineux sur l'adaptateur externe passera au rouge. Normalement, il faut environ 4-5 heures pour atteindre une charge complète. Le voyant lumineux passe au vert lorsque l'aspirateur de piscine est chargé presque complètement.

Note : Si le moteur fait du bruit, éteindre immédiatement le dispositif en appuyant sur le bouton marche/arrêt. Dans le cas contraire, cela pourrait potentiellement conduire à une défaillance des joints d'étanchéité / moteur, et la garantie serait annulée de ce fait.

Note : Charger l'aspirateur de piscine complètement (environ 4-5 heures) avant la première utilisation.

3. Lorsque le chargement est terminé, débrancher l'adaptateur externe de la source d'alimentation et débrancher la prise de la base de chargement.
4. Séparer la base de chargement de l'aspirateur de piscine.

Normalement l'aspirateur de piscine peut fonctionner jusqu'à 30 minutes avec une charge complète (chargement pendant environ 4-5 heures)

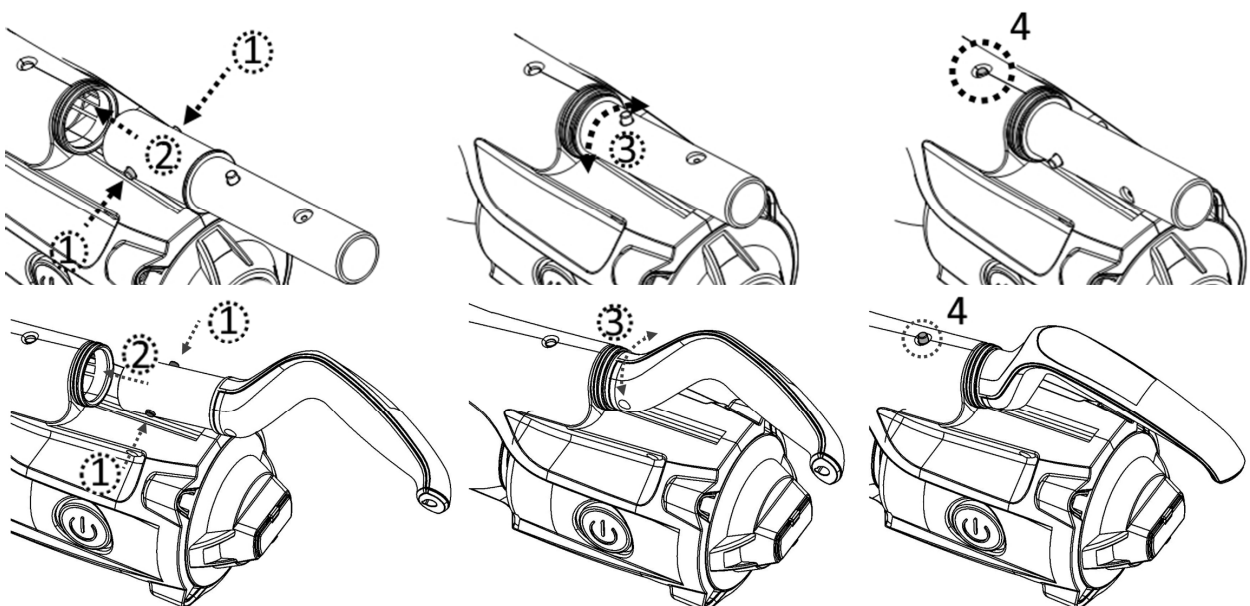
FAIT : La batterie au lithium rechargeable est classée comme un article consommable. Elle a une durée de vie limitée et elle perdra progressivement sa capacité de maintenir une charge. Par conséquent, le temps de fonctionnement de l'aspirateur de piscine se réduira progressivement à travers un chargement et déchargement répétés en fonctionnement.

NOTE : Laisser l'aspirateur de piscine au repos pendant environ 30 à 40 minutes avant de le recharger.

Réglage avant l'utilisation

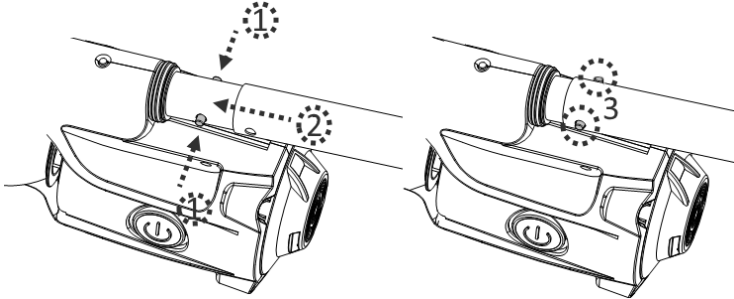
Assemblage du connecteur de manche télescopique/ poignée

Appuyer sur les clips latéraux du connecteur / poignée et l'insérer dans le corps principal. Faire tourner le connecteur dans une direction ou l'autre afin que les clips s'encastrent dans le trou comme illustré dans le diagramme.



Montage du manche télescopique:

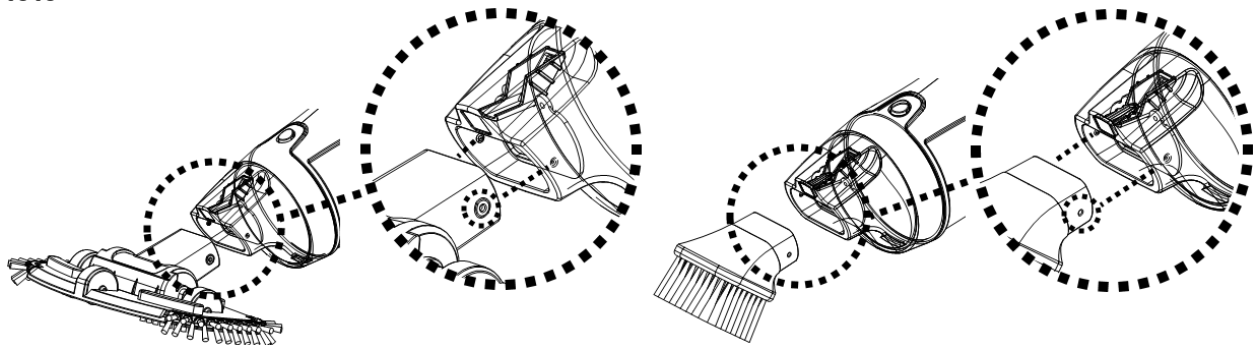
Note: Un clip "v" est installé dans le connecteur de manche pour maintenir le manche télescopique (non inclus) en place. Glisser le manche télescopique autour du connecteur. Appuyer sur les broches latérales du connecteur and continuer à faire glisser le manche télescopique plus bas jusqu'à ce que les broches des connecteurs soient insérées dans les trous du manche.



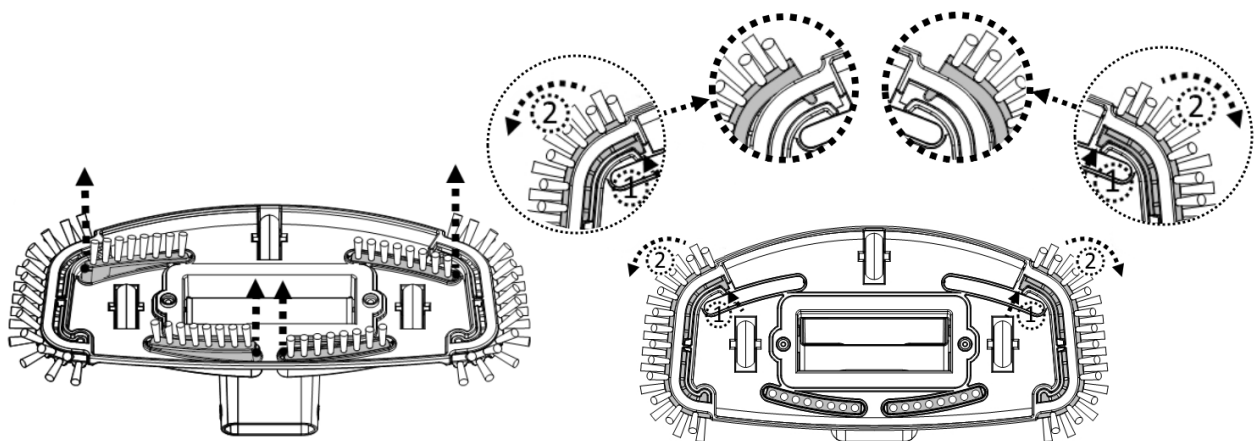
Pour libérer le manche télescopique, appuyer sur les deux broches latérales simultanément et glisser le manche vers l'extérieur.

Assemblage de la tête d'aspiration

Insérer la tête directement dans la bouche d'aspiration de l'aspirateur jusqu'à ce que les clips latéraux du couvercle transparent soient fixés dans les trous du pivot de la tête.



NOTE : Pour remplacer les brosses sur la tête d'aspiration, soulever l'extrémité et la pousser dehors pour laisser un espace pour une nouvelle.



AVERTISSEMENT ! Pour les piscines en fibre de verre et avec une doublure en vinyle, il est recommandé de laisser les brosses sur la tête d'aspiration afin d'éviter d'endommager la piscine.

FONCTIONNEMENT

AVERTISSEMENT !

- Ne pas utiliser l'aspirateur de piscine si un dommage quelconque est détecté.
- Une tâche d'huile peut se produire qui serait due à une fuite possible des lubrifiants appliqués au joint torique.
- Ne pas faire fonctionner cet aspirateur de piscine s'il y a des personnes/animaux de compagnie, présents dans l'eau.
- S'assurer que l'aspirateur de piscine est complètement immergé dans l'eau avant de commencer l'opération. Le niveau d'eau minimum requis pour faire fonctionner le dispositif doit dépasser le bouton d'alimentation de l'aspirateur de piscine lorsqu'il est tenu dans une position verticale. Faire fonctionner l'aspirateur de piscine lorsqu'il n'est pas immergé dans l'eau correctement peut endommager l'unité et annuler de ce fait la garantie.
- La profondeur maximale de fonctionnement dans l'eau est de 3 mètres.
- Température maximale de l'eau : 5°C–35°C
- Ne pas utiliser l'aspirateur de piscine sans un cage de filtre intact en place. L'utilisation de votre aspirateur de piscine sans un cage de filtre intact en place ANNULERA votre garantie.
- Danger de piégeage de l'aspiration : Cet aspirateur de piscine produit une aspiration. Ne pas permettre que les cheveux, le corps, ou toutes parties lâches de vos vêtements entrent en contact avec l'orifice d'aspiration de l'aspirateur de piscine pendant son fonctionnement.
- Ne jamais introduire des parties du corps, de vêtements ou autres objets dans les ouvertures et pièces mobiles.
- Ne pas utiliser cet aspirateur de piscine pour ramasser toute substance toxique, des liquides inflammables ou combustibles tels que l'essence, ou opérer en présence de fumées explosives ou inflammables.
- NE PAS couvrir la rainure latérale du corps de l'épurateur corps pendant le fonctionnement. La turbine/moteur peut être endommagée de ce fait.
- Ne jamais introduire un objet pouvant toucher la turbine.

MISE EN GARDE

- Utiliser uniquement les accessoires originaux fournis avec ce produit.
 - Ne pas utiliser cet aspirateur de piscine immédiatement après le nettoyage chimique de la piscine. Il est recommandé de laisser circuler l'eau dans la piscine durant au moins 24-48 heures.
 - Il n'est pas recommandé d'utiliser cet aspirateur de piscine avec un autre aspirateur de piscine/épurateur simultanément.
 - NE PAS laisser l'aspirateur de piscine dans l'eau lorsqu'il n'est pas utilisé ou lorsque la batterie est basse attendu qu'une fuite d'eau peut se produire.
- 1) Porter votre aspirateur de piscine à côté de votre piscine / spa. Immerger l'aspirateur de piscine dans l'eau et appuyer sur le bouton d'alimentation pour commencer l'opération.

MISE EN GARDE ! S'assurer que l'aspirateur de piscine est toujours orienté vers le bas lorsqu'il est placé dans la piscine. Dans le cas contraire, il peut courber le connecteur du manche et l'endommager durant le processus.

2) Pour retirer l'aspirateur de la piscine / spa, faire monter l'aspirateur de piscine tout en l'orientant vers le bas afin de permettre à l'eau de s'échapper par le clapet de refoulement. L'eau s'échappera à travers la poignée / connecteur de manche et les orifices d'évacuation à l'intérieur la chambre de la poignée sur le corps arrière.

MISE EN GARDE ! S'assurer que l'aspirateur de piscine est toujours orienté vers le bas lorsqu'il est retiré de la piscine. Dans le cas contraire, le connecteur du manche peut être courbé et endommager l'aspirateur de piscine dans le processus.

3) Rincer l'aspirateur de piscine à l'eau fraîche après chaque utilisation. N'utiliser aucun détergent.

VIDER LE FILTRE

AVERTISSEMENT ! L'utilisation de l'aspirateur de piscine sans un cage de filtre en place ANNULERA votre garantie.

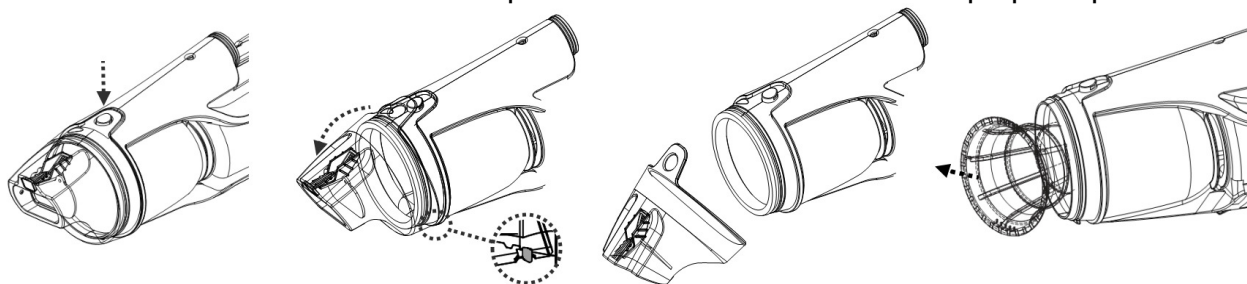
Afin de maximiser l'efficacité du nettoyage, assurez-vous de nettoyer le cage de filtre avant et après chaque utilisation.

MISE EN GARDE ! Si l'aspirateur de piscine est en charge, débrancher l'adaptateur externe de la source d'alimentation et séparer l'aspirateur de piscine de la base de chargement.

- Vider un le cage de filtre

1. Placer l'aspirateur de piscine sur une surface stable.

2. Appuyer le bouton de verrouillage jusqu'à ce que le couvercle transparent soit libéré. Détacher le couvercle transparent et enlever le filtre du corps principal.

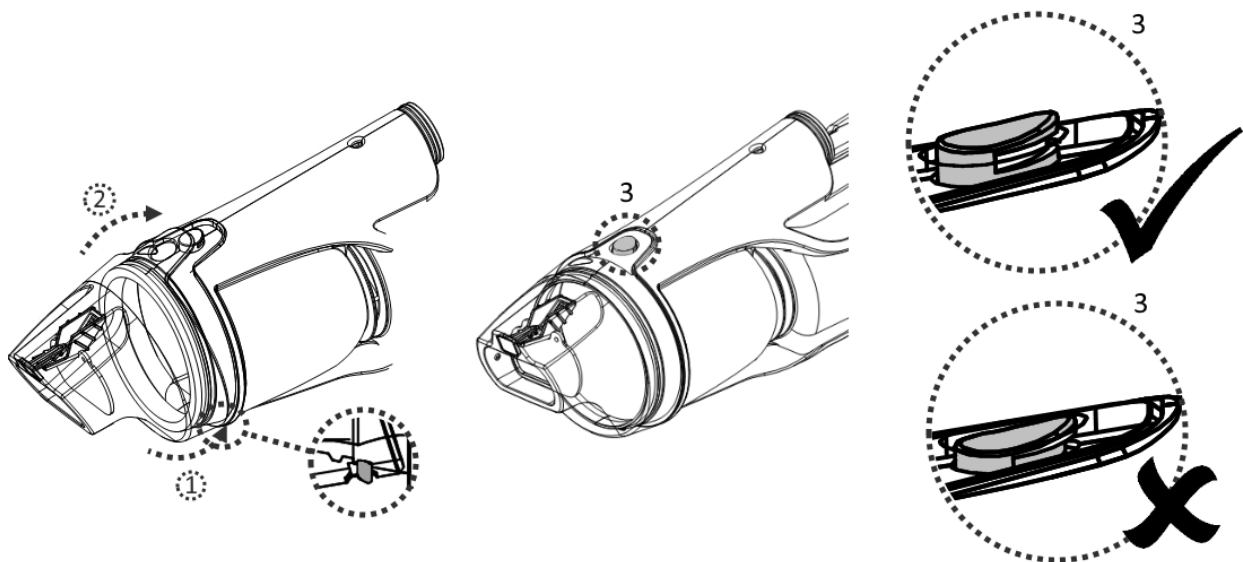


MISE EN GARDE ! Remplacer immédiatement un filtre endommagé par un nouveau avant la prochaine opération.

3. Vider les débris et rincer le filtre avec de l'eau. Si brosser est nécessaire, utiliser uniquement une brosse souple pour nettoyer le filtre avec précaution.

4. Repositionner le filtre dans le corps principal. S'assurer que le filtre soit positionné entièrement dans le corps principal.

Pour repositionner le couvercle transparent, aligner le trou du couvercle avec le crochet sur le corps principal et appuyer les deux pièces pour les assembler. S'assurer que le couvercle transparent soit maintenu en place par le bouton de verrouillage du corps principal.



ENTRETIEN ET RANGEMENT

NOTE :

1. La batterie se décharge de par elle-même durant le rangement. S'assurer de charger complètement l'aspirateur de piscine avant de le ranger.
2. Vous devez recharger la batterie au moins une fois tous les trois mois lorsqu'elle n'est pas utilisée.
 - Débrancher l'adaptateur externe de la prise et débrancher ensuite le jack de l'adaptateur de la base de chargement.
 - Séparer les accessoires de l'aspirateur de piscine. Si nécessaire, rincer l'aspirateur de piscine et les accessoires à l'eau fraîche. Ne pas utiliser de détergent.
 - S'assurer de vider l'eau du corps principal et du connecteur.
 - Utiliser un chiffon humide pour nettoyer et sécher l'aspirateur de piscine et ses accessoires.
 - Les ranger dans une zone bien aérée éloignée de la lumière solaire, de la chaleur, des sources d'ignition et des produits chimiques pour la piscine et tenir hors de portée des enfants. La température ambiante de stockage doit être de 10°C – 25°C.
NOTE : Une température plus élevée peut réduire la vie de la batterie.

AVERTISSEMENT !

- Ne jamais tenter d'une façon quelconque de démonter l'aspirateur de piscine.
- En aucun cas, vous ne devez tenter de démonter l'aspirateur de piscine et de remplacer la turbine, le moteur et la batterie par vous-même.

MISE EN GARDE !

- La chaleur excessive peut endommager la batterie et réduire par conséquent sa durée de vie.
- La batterie fournie avec votre aspirateur de piscine a une durée pour 300 cycles de chargement (avec un chargement et un fonctionnement corrects). La durée de vie de la batterie est réduite si les situations suivantes se produisent :
 - La batterie semble endommagée ou ne se charge pas complètement.

- Le temps de fonctionnement de la batterie est significativement réduit. Observer et noter le temps de fonctionnement pendant les premières utilisations (à pleine charge). Utiliser cette information comme point de référence pour comparer le temps de fonctionnement avec des batteries plus anciennes.
- La batterie doit être retirée de l'aspirateur de piscine avant d'être éliminée.
- L'aspirateur de piscine doit être débranché de l'alimentation principale pendant le retrait de la batterie
- La batterie doit être éliminée sous une forme sûre et conformément aux ordonnances ou réglementations locales.

NOTE : Une maintenance incorrecte peut réduire la durée de vie de la batterie et affecter de ce fait sa capacité.

ÉLIMINATION DES BATTERIES

Votre aspirateur de piscine est équipé d'un bloc de batteries rechargeables au lithium libre de toute maintenance, qui doit être éliminé correctement. Son recyclage est requis ; veuillez contacter les autorités locales de votre région pour une plus ample information.

AVERTISSEMENT !

Ne jamais tenter de démonter un bloc de batteries

- Retirer tous les objets personnels tels que bagues, bracelets, colliers et montres lorsque le bloc de batteries n'est pas connecté à l'aspirateur de piscine.
- Une batterie peut produire un courant de court-circuit suffisamment élevé pour souder une bague (ou un article similaire) au métal, causant ainsi une grave brûlure dans le processus.
- Porter un protecteur complet pour les yeux, des gants et des vêtements de protection lorsque le bloc de batteries est retiré.
- Éviter absolument de toucher les fils et éviter de leur permettre de faire contact avec tous objets métalliques, ce qui pourrait causer une émission d'étincelles et/ou court-circuiter la batterie.
- Ne jamais fumer ni permettre qu'une étincelle ou une flamme ne se produise dans le voisinage de la batterie ou de l'aspirateur de piscine.
- Ne pas exposer la batterie au feu ou à une chaleur intense car cela pourrait produire une explosion.

MISE EN GARDE !

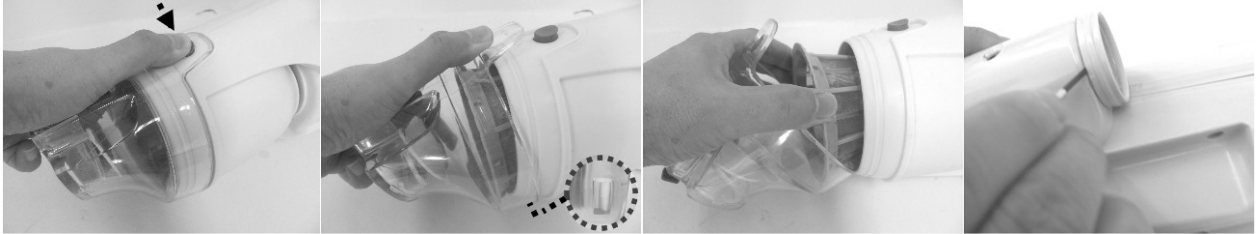
Si une fuite de la batterie se produit, éviter le contact avec les liquides de fuite et placer la batterie endommagée dans un sac en plastique.

- Si les liquides de fuite entrent en contact avec la peau et les vêtements, les laver immédiatement avec une grande quantité de savon et d'eau.
- Si les liquides de fluides entrent en contact avec les yeux, ne pas se frotter les yeux, rincer immédiatement les yeux à l'eau courante froide pendant 15 minutes au moins et ne pas les frotter. Demander une assistance médicale le plus rapidement possible.

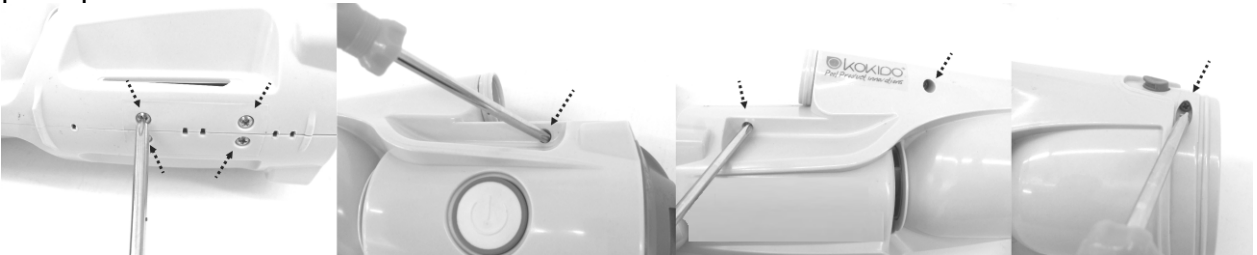
Comment retirer le bloc de batteries

Outils recommandés (non inclus) : Tournevis Philips.

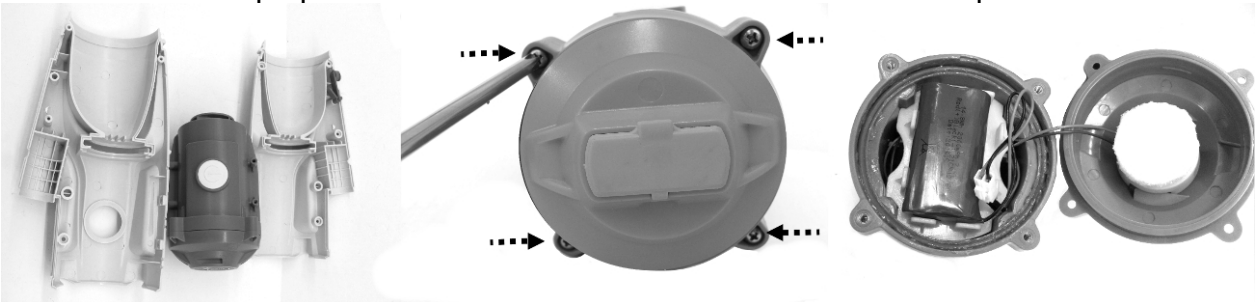
1. Appuyer sur le bouton de verrouillage et détacher le couvercle transparent du corps. Utiliser un petit tournevis afin de détacher l'anneau du corps. Si il est impossible de détacher l'anneau, couper le avec une pince.



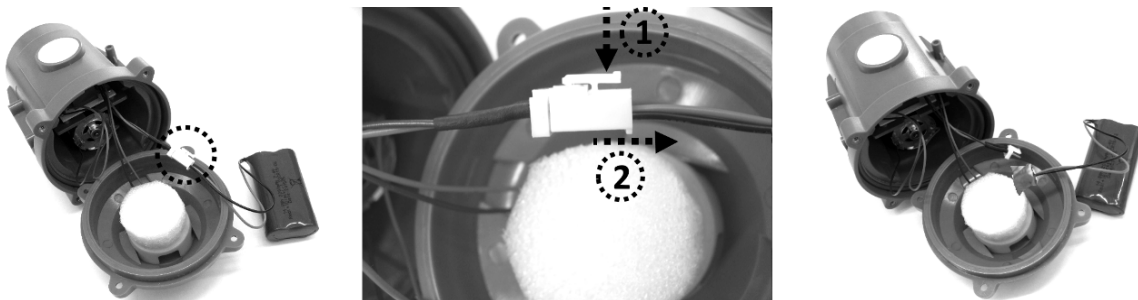
2. Utiliser un tournevis Philips pour dévisser toutes les vis situées sur le corps principal.



3. Séparer le corps en deux moitiés afin d'accéder au compartiment principal. Utiliser un tournevis Philips pour retirer le couvercle arrière et accéder au pack de batteries.



4. Retirer le pack de batterie du compartiment principal. Pour détacher le pack de batterie, appuyer sur le clip du connecteur et tirer le fil. NOTICE: Emballer immédiatement le connecteur avec de l'isolant afin d'éviter un court circuit si les deux bouts de fils se touchent.



RÉPARAGE DE PANNES

Problème	Cause possible	Solution
L'aspirateur n'aspire pas les débris	La batterie est déchargée	Recharger la batterie à nouveau
	La turbine est bloquée	Eteindre l'aspirateur et vérifier visuellement que la turbine ne soit pas bloquée par de gros débris. Si possible, utiliser un petit outil afin de retirer les débris et débloquer la turbine. Si nécessaire, contactez votre concessionnaire pour des instructions supplémentaires. AVERTISSEMENT ! S'assurer que l'aspirateur de piscine soit bien débranché lorsque l'unité est en cours d'entretien.
	La turbine est cassée	Contactez votre concessionnaire pour le remplacement de la turbine.
	Le filtre est plein	Nettoyer le filtre.
Les débris s'échappent du filtre	Rabat d'aspiration est cassé	Le rabat d'aspiration fonctionne comme une porte pour empêcher les débris de s'échapper du filtre. Contactez le concessionnaire pour les pièces de rechange et les instructions nécessaires.
	Le filtre est endommagé	Remplacer par un nouveau filtre.
	La valve de drainage d'eau est cassée	Sans la valve de drainage l'aspirateur pourrait aspirer des débris par l'ouverture et salir l'eau filtrée.
La poignée ne peut / Le connecteur de manche ne peut pas être fixés à l'aspirateur	Les clips latéraux sont cassés	Remplacer par une nouvelle poignée / un nouveau connecteur de manche.
L'aspirateur de piscine ne peut pas être chargé / rechargé	La batterie est endommagée	Contactez le concessionnaire pour le remplacement de la batterie. AVERTISSEMENT ! NE PAS ouvrir l'aspirateur de piscine et remplacer la batterie de par vous-même. Cela pourrait causer des blessures graves ou mortelles et la garantie serait annulée de ce fait.
	Les branches de la base du chargeur et de l'unité ne se touchent pas	S'assurer que la base du chargeur est correctement montée sur l'unité de telle sorte que leurs branches se touchent.
	L'adaptateur externe est en endommagé	Contactez votre concessionnaire pour le remplacer. AVERTISSEMENT ! L'utilisation d'un adaptateur externe incorrect donnera pour résultat l'endommagement de l'aspirateur de piscine / batterie et annulera de ce fait la garantie.
L'aspirateur ne se déplace pas sans à coups	La roulette bille est bloquée	Nettoyer les débris qui se trouvent dans les roues. Si nécessaire, retirer la roue pour nettoyer plus facilement la cavité puis la repositionner.

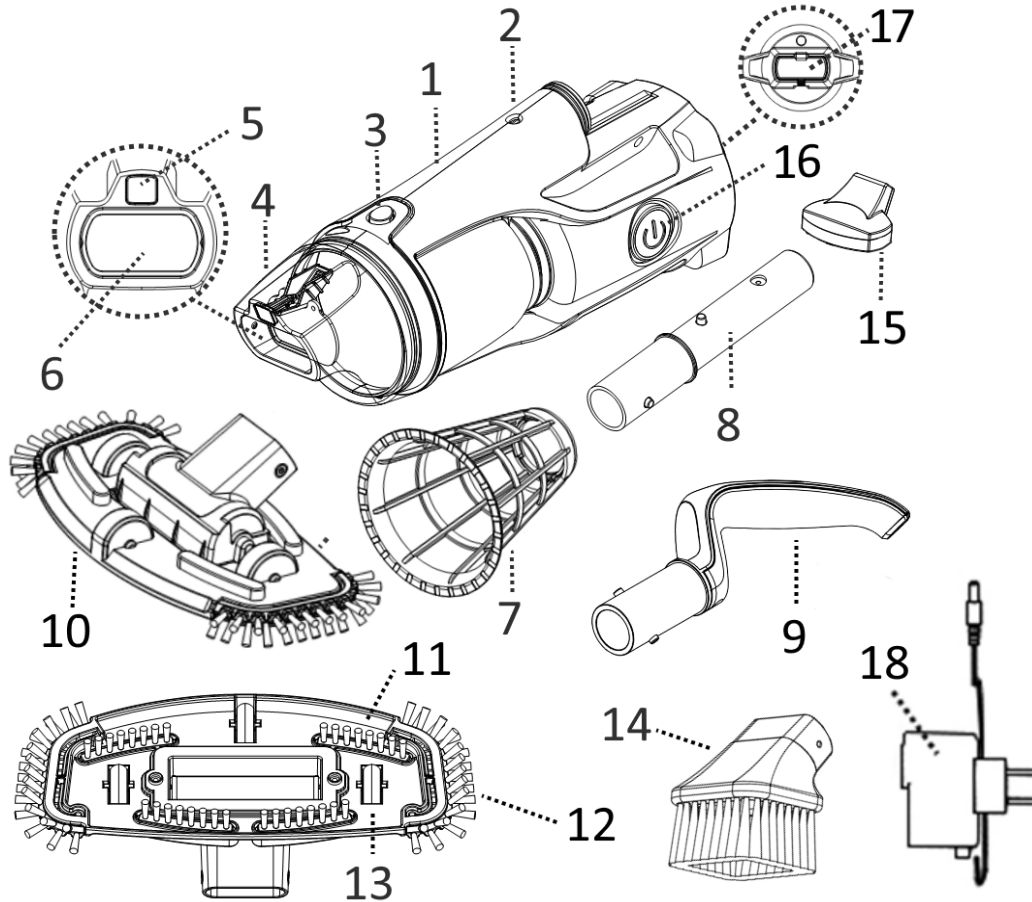
© 2019 Kokido Development Ltd.

19002018

Tous droits réservés. Aucune partie de ce document ne peut être reproduite ou transmise sous une forme quelconque ou par tous moyens, électroniques, mécaniques, photocopies, enregistrement ou de toute autre façon, sans l'autorisation écrite préalable de Kokido Development Ltd. (V1)

Si vous avez besoin d'une copie sur papier de ce manuel d'instructions, veuillez contacter notre service clientèle par email : customerservice@kokido.com

DIAGRAMA DE LAS PARTES



Número de piezas de repuesto

1.	Cuerpo principal	EV31-ASM01/US/PRO
2.	Orificio de bloqueo (para conector para pértiga/manija)	----
3.	Botón de bloqueo (para contenedor transparente)	----
4.	Contenedor transparente	EV30-01/CP
5.	Válvula de drenaje de agua	----
6.	Solapa de la boquilla de succión	----
7.	Filtro rígido (pre-instalado en el cuerpo principal)	EV31-02/CP
8.	Conector de pértiga telescópica	K969ASM06/CP
9.	Manija ergonómica	EV31-03/CP
10.	Cabeza de aspiración pivotante (con cepillos laterales)	EV30-11/CP
11.	Cepillo x 4	EV30-ASM04/CP
12.	Cepillo laterals x 2	EV30-ASM05/CP
13.	Rueda x 3	EV30-ASM07/CP
14.	Boquilla de aspiración con cepillo	EV51ASM02/CP
15.	Base del cargador	EV30-10US/LGRY
16.	Botón de APAGADO / ENCENDIDO	----
17.	Placa de contacto para la recarga	----
18.	Adaptador	EV1000163/US

Batería: paquete de baterías de iones de litio recargable,– 2000mAh, 7.4V, 14.8Wh

Tensión de carga:: 8.4V DC, 1.0 A

Motor: 7.2V DC

AVISOS E INSTRUCCIONES DE SEGURIDAD

Lea y siga todas las instrucciones contenidas en este manual y en el equipo. En caso contrario, podría sufrir lesiones graves o mortales.

¡ATENCIÓN!

- Este dispositivo no es un JUGUETE. Mantenga a los niños lejos de esta aspiradora de piscina y de sus accesorios.
- Los niños no deben usar este producto.
- Esta aspiradora de piscina no está diseñada para ser usada por personas con discapacidad física, sensorial o mental, ni por personas con falta de experiencia y conocimientos, a menos que hayan recibido instrucciones sobre el dispositivo y sean supervisadas por la persona responsable de su seguridad.
- Asegúrese de que la aspiradora de piscina está totalmente sumergida en el agua antes de usarla. El nivel mínimo de agua necesario para usar el dispositivo debe estar por encima del botón de encendido de la aspiradora de piscina en posición vertical. El uso de la aspiradora de piscina, si no está correctamente sumergida en el agua, podría dañar la unidad y anular la garantía.
- La profundidad máxima a la que se puede usar el dispositivo es de 3 metros.
- Temperatura máxima del agua: 5°C–35°C
- NO se deben usar regletas de enchufes eléctricos.
- Conecte el adaptador externo a una fuente de alimentación mediante un interruptor de circuito con fuga a tierra (ICFT). Si tiene alguna duda, consulte a un electricista profesional cualificado.
- No use esta aspiradora de piscina si detecta cualquier daño.
- Sustituya las piezas dañadas lo antes posible. Sólo debe usar piezas certificadas por el distribuidor o el fabricante.
- Desactive el dispositivo, desconecte el adaptador externo de la fuente de alimentación y desenchufe el adaptador externo de la base de carga antes de retirar la aspiradora de piscina de la base de carga.
- Desconecte la aspiradora de piscina de la alimentación eléctrica antes de realizar cualquier operación de mantenimiento de usuario, como puede ser la limpieza del filtro.
- Retire la aspiradora de piscina de la base de carga y asegúrese de que está apagada antes de manipular el producto.
- La batería instalada es un paquete de baterías de iones de litio recargable. Nunca debe intentar sustituir el paquete de baterías.
- La aspiradora de piscina sólo debe usarse con la unidad de adaptador externo que se suministra con este producto.
- No debe usar esta aspiradora de piscina si hay personas/mascotas en el agua.
- NO use esta aspiradora de piscina sin un filtro rígido intacto instalados, ya que de lo contrario la garantía quedará anulada.
- Peligro de atrapamiento por succión: Esta aspiradora de piscina genera succión. No permita que su pelo, cuerpo o prendas sueltas entren en contacto con el orificio de succión de la aspiradora de piscina cuando esté en funcionamiento.
- No introduzca nunca partes del cuerpo, ropa u otros objetos en las aberturas y piezas móviles de la aspiradora de piscina.

- NO use esta aspiradora de piscina para recoger sustancias tóxicas, inflamables o líquidos combustibles como gasolina, ni tampoco cerca de gases explosivos o inflamables.
- No intente nunca desmontar la aspiradora de piscina.
- No intente, bajo ninguna circunstancia, desmontar la aspiradora de piscina y sustituir el propulsor, el motor y la batería por sí mismo.
- Nunca debe introducir ningún objeto para tocar el propulsor.
- Adaptador externo y base de carga:
 - Sólo para uso interior.
 - Sólo debe usar el adaptador externo y la base de carga para recargar la batería de la aspiradora de piscina suministrada en el mismo paquete.
 - El adaptador externo y la base de carga no deben usarse en el exterior, ni exponerse a la lluvia, la humedad, al calor ni a ningún líquido.
 - Mantenga el adaptador externo y la base de carga fuera del alcance de los niños.
 - Nunca debe usar el adaptador externo ni la base de carga si detecta cualquier daño.
 - NO coja el adaptador externo ni la base de carga con las manos mojadas.
 - Mientras el dispositivo se esté cargando, NO manipule la aspiradora de piscina, el adaptador externo ni la base de carga, con las manos mojadas y sin zapatos.
 - Mantenga el adaptador externo desconectado de la corriente eléctrica cuando no lo esté usando.
 - No intente abrir el adaptador externo ni la base de carga.
 - Si el cable eléctrico está dañado, debe ser sustituido por el fabricante, por su representante de servicio o por un profesional cualificado, con el objetivo de evitar cualquier peligro.
 - Asegúrese de que la aspiradora de piscina y la base de carga están completamente secas antes de iniciar la recarga.

¡PRECAUCIÓN!

- Esta aspiradora de piscina sólo está diseñada para ser usada bajo el agua; no es una aspiradora de uso general. NO intente usarla para limpiar una superficie que no sea su piscina/*spa*.
- Sólo debe usar accesorios originales provistos junto con este producto.
- NO use esta aspiradora de piscina justo después de aplicar el tratamiento de choque a la piscina. Se recomienda dejar circular el agua de la piscina durante al menos 24-48 horas.
- No se recomienda usar esta aspiradora de piscina simultáneamente con otra aspiradora o limpiador de piscina.
- Evite recoger objetos duros y afilados con este dispositivo. Podrían dañar la aspiradora de piscina y el filtro.
- Tenga cuidado al limpiar las escaleras de la piscina.
- Sólo se debe usar la base de carga con el objetivo especificado en este manual.
- Para evitar dañar el adaptador externo y el cable, no transporte la aspiradora de piscina por el cable ni tire del cable para desconectarlo de la fuente de alimentación y del producto.
- Recargue la aspiradora de piscina en una zona interior limpia y seca, con buena ventilación y con una temperatura ambiente de entre 5°C y 30°C.

- NO deje la aspiradora de piscina cargando durante más de 20 horas.
- Si no va a usar la aspiradora de piscina durante un periodo de tiempo prolongado, sepárela de la base de carga y use un paño húmedo para limpiar y secar la aspiradora de piscina y sus accesorios. Asegúrese de cargar totalmente la aspiradora de piscina antes de guardarla. Guárdela en una zona bien ventilada y libre de luz solar, calor, fuentes de ignición y productos químicos para piscina, fuera del alcance de los niños. No deje nunca la aspiradora de piscina conectada si va a guardarla durante un periodo de tiempo prolongado. Recargue la aspiradora de piscina cada tres meses.

Los avisos y precauciones anteriores pueden no incluir todas posibles situaciones de riesgo y/o lesiones graves. Los propietarios de piscina/spa deben tener siempre mucho cuidado y sentido común al utilizar el producto.

PRIMEROS PASOS

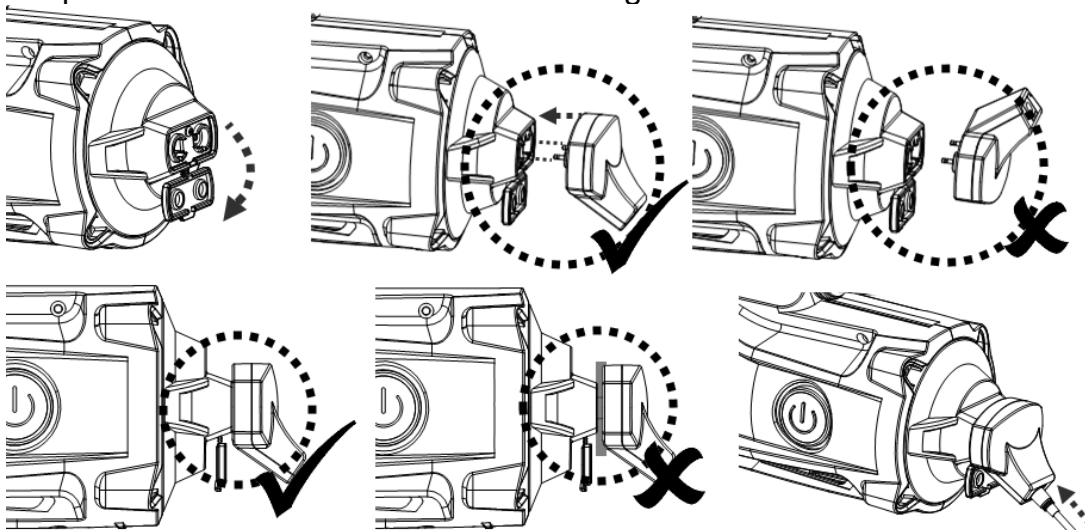
AVISO IMPORTANTE: Recargue completamente la aspiradora de piscina antes de usarla por primera vez.

Carga de la batería

¡ATENCIÓN!

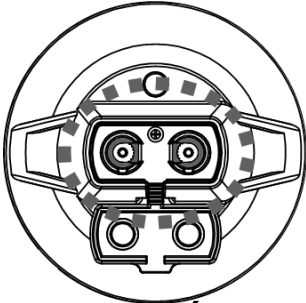
- La recarga debe realizarse en una zona interior, bien ventilada y libre de luz solar, niños, calor, fuentes de ignición y con una temperatura ambiente de entre 5°C y 30°C.
- Nunca debe usar el adaptador externo ni la base de carga si detecta cualquier daño.
- Use sólo el adaptador externo original provisto con el producto.
- Asegúrese de que la aspiradora de piscina y la base de carga están limpias y secas antes de instalarlas.

Coloque la unidad sobre una superficie estable. Abra el capuchón protector en la parte trasera del cuerpo y alinee las dos fichas machos de la base de carga encima de los orificios de carga. **AVVETENZIA:** Asegúrese de no invertir la posición de la base de caga. Empuje la base de carga en la carcasa trasera hasta que las fichas sean completamente inseridas dentro los orificios. Conecte la parte hembra del adaptador externo dentro el orificio de carga localizada en la base del cargador.



Noticia Importante:

- Después de la recarga y antes de la próxima operación, cierre el capuchón protector.
- Si los orificios de carga están mojados, secalos completamente (por ejemplo con un bastoncillo de algodón) antes de recargar la aspiradora.



¡ATENCIÓN!

- Mientras el dispositivo se esté cargando, NO manipule la aspiradora de piscina, el adaptador externo ni la base de carga, con las manos mojadas y sin zapatos.
- Conecte el adaptador externo a la fuente de alimentación mediante interruptor de circuito con fuga a tierra (ICFT).
- Cargue la aspiradora de piscina mediante el adaptador externo original suministrado.
- NO se deben usar regletas de enchufes eléctricos.
- Cargue completamente la batería antes de usarla por primera vez.
- La recarga debe realizarse en una zona interior, seca, bien ventilada y libre de luz solar, niños, calor, fuentes de ignición y con una temperatura ambiente de entre 5°C y 30°C.
- Desconecte siempre el adaptador externo de la fuente de alimentación cuando termine la carga.
- No deje la aspiradora de piscina cargando durante más de 20 horas.
- Desactive inmediatamente el dispositivo y desconecte el adaptador externo de la fuente de alimentación si detecta alguna de las siguientes condiciones:
 - Olor ofensivo o inusual
 - Calor excesivo
 - Deformación, grietas o fugas
 - Humo

1. Asegúrese de que la aspiradora de piscina está desconectada antes de cargarla.
2. Conecte el adaptador externo a la fuente de alimentación. Cuando la aspiradora de piscina empiece a cargarse, el piloto indicador del adaptador externo se pondrá rojo. Normalmente se tardan unas 4-5 horas en conseguir una carga completa. El piloto indicador se pondrá verde cuando la aspiradora de piscina esté casi cargada al máximo.

Atención: Si el motor emite ruido, apague inmediatamente el dispositivo pulsando el botón ON/OFF. En caso contrario, podría causar una avería de los sellos del eje / del motor, por lo que la garantía quedaría anulada.

Atención: Cargue totalmente la aspiradora de piscina (unas 4-5 horas) antes de usarla por primera vez.

3. Cuando la carga haya terminado, desconecte el adaptador externo de la fuente de alimentación y desenchufe el conector de la base de carga.
4. Separe la base de carga de la aspiradora de piscina.

En condiciones normales, la aspiradora de piscina se puede usar hasta 30 minutos si tiene carga completa (recargada durante 4-5 horas)

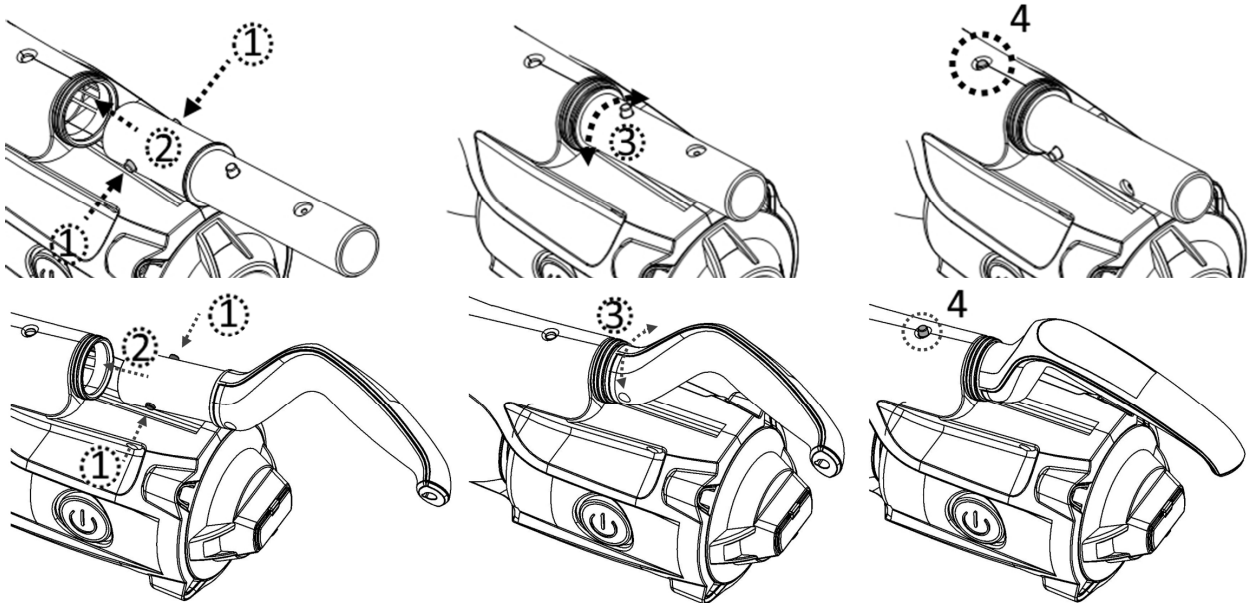
HECHO: La batería recargable de iones de litio está clasificada como un producto consumible. Tiene una vida útil limitada y perderá gradualmente su capacidad de retener la carga. Así pues, el tiempo de funcionamiento de la aspiradora de piscina se reducirá gradualmente a medida que se cargue y se descargue la aspiradora por su uso.

NOTA: Deje reposar la aspiradora de piscina durante unos 30 o 40 minutos antes de volverla a cargar.

Montaje previo al uso

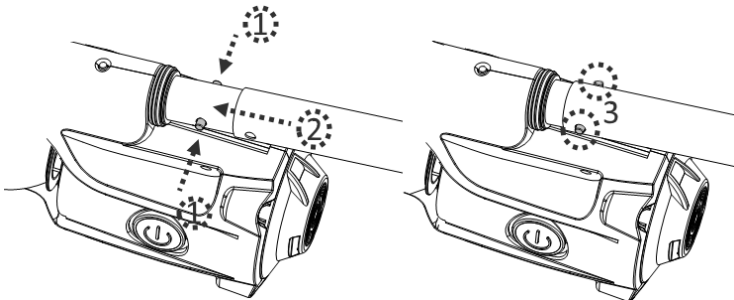
Montaje del conector de pértiga telescópica/manija

Pulse los dos pasadores laterales del conector / manija y insertarlo dentro el cuerpo principal. Giren el conector en cualquier dirección hasta que los pasadores queden fijados en los orificios, como indicado en el diagrama.



Montaje de la pértiga telescópica

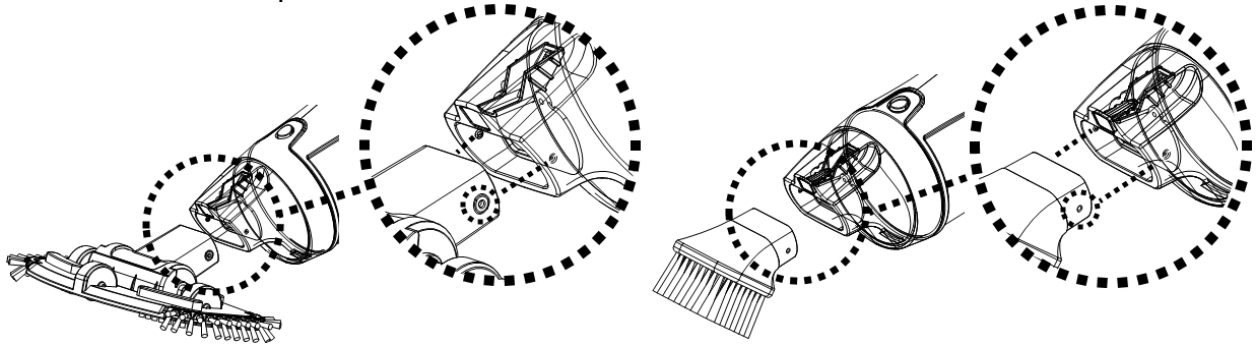
Nota: Un clip "V" está instalado dentro el conector de pértiga para mantener en posición la pértiga telescópica (no incluida). Inserte el conector dentro la pértiga telescópica. Pulse los pasadores laterales del conector y deslice la pértiga telescópica hasta que los pasadores laterales queden fijados en los orificios de la pértiga.



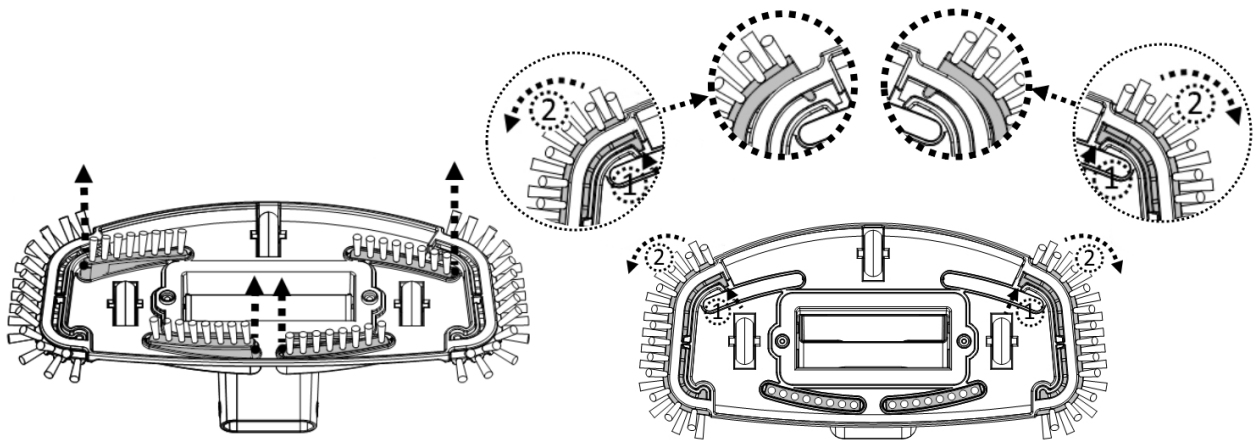
Para liberar la pértiga telescópica, pulse los pasadores laterales simultáneamente y tire la pértiga.

Montaje del cabezal de succión

Inserte el cabezal de succión directamente en la boquilla de succión de la aspiradora de piscina hasta que. Las pestañas laterales de la carcasa transparente encajarán en los orificios del pivote del cabezal de succión.



NOTA: Para sustituir los cepillos del cabezal de succión, levante el extremo y tire de él para dejar espacio para uno nuevo.



¡ATENCIÓN! En el caso de piscinas revestidas de vinilo o piscinas de fibra de vidrio, se recomienda mantener los cepillos en el cabezal de succión para evitar dañar la piscina.

FUNCIONAMIENTO

¡ATENCIÓN!

- No use la aspiradora de piscina si detecta cualquier daño.
- Es posible que se generen manchas de aceite causadas por el derrame de lubricante que se suele aplicar al anillo sellador.
- No debe usar esta aspiradora de piscina si hay personas/mascotas en el agua.
- Asegúrese de que la aspiradora de piscina está totalmente sumergida en el agua antes de empezar a usarla. El nivel mínimo de agua necesario para usar el dispositivo debe estar por encima del botón de encendido de la aspiradora de piscina en posición vertical. El uso de la aspiradora de piscina, si no está correctamente sumergida en el agua, puede dañar la unidad y anular la garantía.
- La profundidad máxima a la que se puede usar el dispositivo es de 3 metros.
- Temperatura máxima del agua: 5 °C – 35 °C

- NO use la aspiradora de piscina sin un filtro rígido intacto instalados. El uso de la aspiradora de piscina sin un filtro rígido intacto instalados ANULARÁ su garantía.
- Peligro de atrapamiento por succión: Esta aspiradora de piscina genera succión. No permita que su pelo, cuerpo o prendas sueltas entren en contacto con la boquilla de succión de la aspiradora de piscina cuando esté en funcionamiento.
- No introduzca nunca partes del cuerpo, ropa u otros objetos en las aberturas y piezas móviles.
- NO use esta aspiradora de piscina para recoger sustancias tóxicas, inflamables o líquidos combustibles como gasolina, ni use el dispositivo cerca de gases explosivos o inflamables.
- NO cubra la ranura lateral de la carcasa cuando el dispositivo se encuentre en funcionamiento. El propulsor/motor podría dañarse.
- Nunca debe introducir ningún objeto para tocar el propulsor.

¡PRECAUCIÓN!

- Sólo debe usar accesorios originales provistos junto con este producto.
- NO use esta aspiradora de piscina justo después de aplicar el tratamiento de choque a la piscina. Se recomienda dejar circular el agua de la piscina durante al menos 24-48 horas.
- No se recomienda usar esta aspiradora de piscina simultáneamente con otra aspiradora o limpiador de piscina.
- NO deje la aspiradora de piscina en el agua cuando no la esté usando o si le queda poca batería, ya que se podría producir una fuga de agua.

1) Deje su aspiradora de piscina al lado de su piscina/spa. Sumerja la aspiradora de piscina en agua y pulse el botón de encendido para que empiece a funcionar.

¡PRECAUCIÓN! Asegúrese de que la aspiradora de piscina siempre esté colocada hacia abajo al introducirla en la piscina. Si no, el conector de la pértiga podría doblarse y dañarse durante el proceso.

2) Para sacar la aspiradora de la piscina/spa, levántela apuntando hacia abajo para que el agua que contenga salga por la válvula de drenaje. El agua saldrá por el mango / conector de la pértiga por los orificios de drenaje situados dentro del depósito del mango, en la carcasa trasera.

¡PRECAUCIÓN! Asegúrese de que la aspiradora de piscina siempre esté apuntando hacia abajo al sacarla de la piscina. Si no, el conector de la pértiga podría doblarse y dañar la aspiradora de piscina.

3) Enjuague la aspiradora de piscina con agua limpia tras cada uso. NO use detergentes.

VACIADO DEL FILTRO

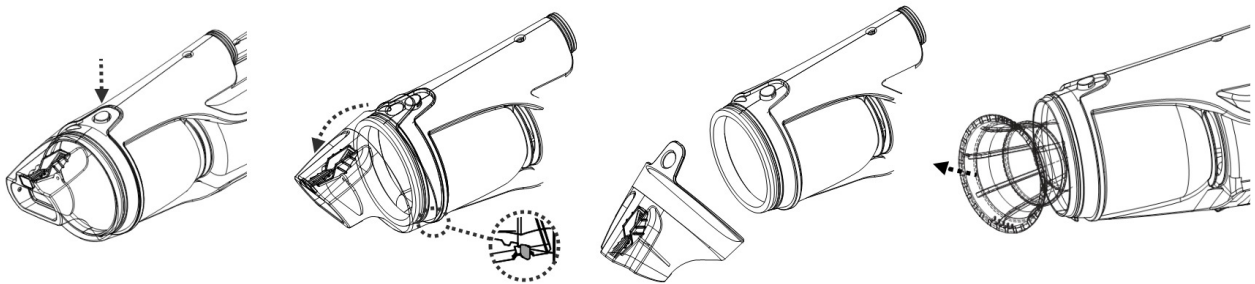
¡ATENCIÓN! El uso de la aspiradora de piscina sin un filtro rígido instalado ANULARÁ su garantía.

Para maximizar la eficiencia del lavado, asegúrese de limpiar el filtro rígido antes y después de cada uso.

¡PRECAUCIÓN! Si la aspiradora de piscina se está recargando, desconecte el adaptador externo de la fuente de alimentación y retire la aspiradora de la base del cargador.

- Vaciado del filtro rígido

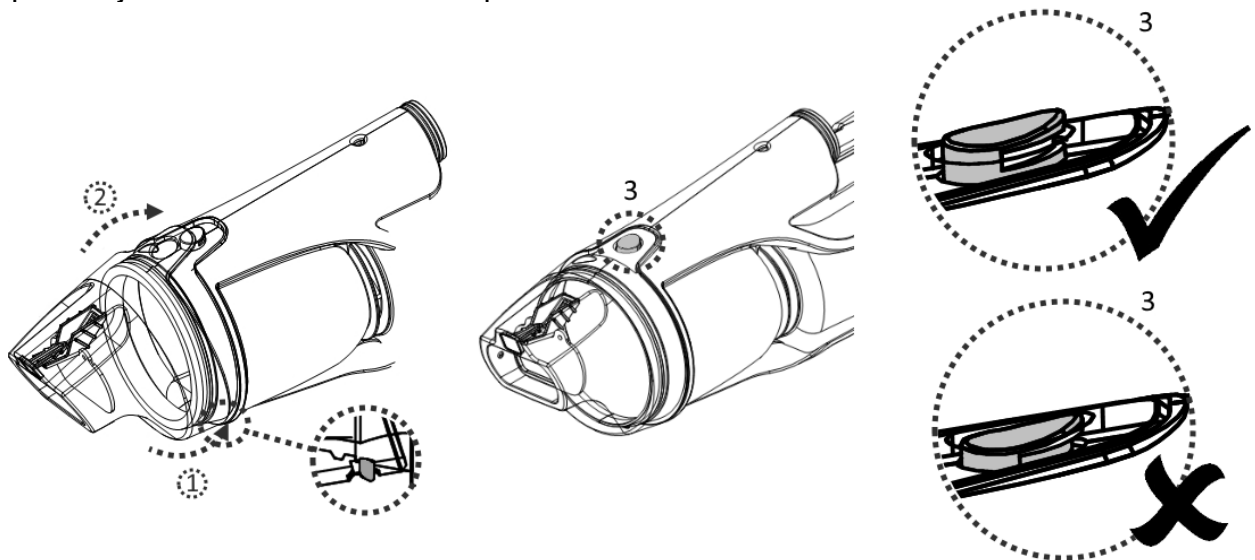
1. Coloque la aspiradora de piscina sobre una superficie estable.
2. Pulse el botón de bloqueo para liberar el orificio del contenedor transparente. Deslice el contenedor transparente para liberar el orificio en la parte trasera hasta que el contenedor y el cuerpo principal sean completamente separados. Retire el filtro rígido del cuerpo principal.



¡PRECAUCIÓN! Sustituya el filtro rígido dañado inmediatamente por uno nuevo antes de volver a usar el dispositivo.

3. Vacíe el filtro y limpie el interior del filtro. Se recomienda limpiar la red del filtro con agua. Si cree necesario cepillarla, use un cepillo suave para limpiarla con cuidado. NO aplique presión a la red.
4. Re-posicione el filtro rígido dentro el cuerpo principal. Asegúrese que el filtro rígido sea completamente dentro el cuerpo.

Para re-instalar el contenedor transparente al cuerpo principal, alinee el orificio del lado trasero con el gancho del cuerpo principal y apreté el contenedor transparente en el cuerpo principal. Asegúrese que el orificio de bloqueo del contenedor transparente quede fijado con el botón de bloqueo.



MANTENIMIENTO Y ALMACENAMIENTO

NOTA:

1. La batería se descarga durante los periodos de almacenamiento. Asegúrese de cargar totalmente la aspiradora de piscina antes de guardarla.
2. Debe recargar la batería al menos una vez cada tres meses si no la va a usar.
 - Desenchufe el adaptador externo del enchufe y desconecte el conector adaptador de la base de carga.
 - Separe los accesorios de la aspiradora de piscina. Si fuera necesario, enjuague la aspiradora de piscina y sus accesorios con agua limpia. NO use detergente.
 - Asegúrese de drenar el agua de la carcasa trasera a través de los orificios situados dentro de la cámara que conecta con el conector de la pértiga y a través del orificio situado en la parte trasera de la carcasa.
 - Asegúrese de drenar el agua del mango a través del orificio situado en la parte inferior.
 - Use un paño húmedo para limpiar y secar la aspiradora de piscina y sus accesorios.
 - Guárdelos en una zona bien ventilada y libre de luz solar, calor, fuentes de ignición y productos químicos para piscina, fuera del alcance de los niños. La temperatura ambiente de almacenamiento debe ser de 10 °C - 25 °C. NOTA: Una temperatura de almacenamiento superior podría reducir la vida útil de la batería.

• ¡ATENCIÓN!

- No intente nunca desmontar la aspiradora de piscina.
- No intente, bajo ninguna circunstancia, desmontar la aspiradora de piscina y sustituir el propulsor, el motor y la batería por sí mismo.
- Para sustituir una rueda de bola dañada, sáquela de la cavidad insertando una herramienta en el pequeño orificio situado en la parte superior de la cavidad de la bola. Alinee y presione la nueva bola dentro de la cavidad.

¡PRECAUCIÓN!

- El calor excesivo puede dañar la batería y reducir su vida útil.
- La batería suministrada con su aspiradora de piscina dura unos 300 ciclos de recarga (con una carga y uso adecuados). La vida útil de la batería se reduce en las siguientes condiciones:
 - La batería parece dañada o no se carga completamente.
 - El tiempo de funcionamiento de la batería se ha reducido considerablemente. Observe y anote el tiempo de funcionamiento durante los primeros usos (con carga completa). Use esta información como referencia para comparar el tiempo de funcionamiento con baterías más antiguas.
- La batería debe sacarse de la aspiradora de piscina antes de ser desechada.
- La aspiradora de piscina debe estar desconectada de la alimentación eléctrica para retirar la batería.
- La batería debe desecharse de manera segura y de acuerdo con las ordenanzas o regulaciones locales.

NOTA: Un mantenimiento incorrecto puede reducir la vida útil de la batería y afectar a su capacidad.

ELIMINACIÓN DE LA BATERÍA

Su aspiradora de piscina está equipada con un paquete de baterías de iones de litio recargable que no requiere mantenimiento y que debe ser desechado correctamente. Su reciclaje es obligatorio; contacte con su autoridad local para obtener más información.

¡ATENCIÓN!

Nunca debe intentar desmontar un paquete de baterías.

- Retire todos los objetos personales, como anillos, pulseras, collares y relojes, cuando el paquete de baterías esté desconectado de la aspiradora de piscina.
- Una batería puede generar una corriente de cortocircuito lo suficientemente elevada como para soldar un anillo (u objeto similar) al metal, causando graves quemaduras.
- Al retirar el paquete de baterías debe llevar gafas protectoras, guantes y ropa protectora.
- Evite tocar los cables y que éstos entren en contacto con cualquier objeto metálico, lo cual podría causar chispas y/o un cortocircuito en la batería.
- No fume ni permita la presencia de chispas o llamas cerca de la batería ni de la aspiradora de piscina.
- No exponga la batería al fuego o a calor intenso, ya que se podría producir una explosión.

¡PRECAUCIÓN!

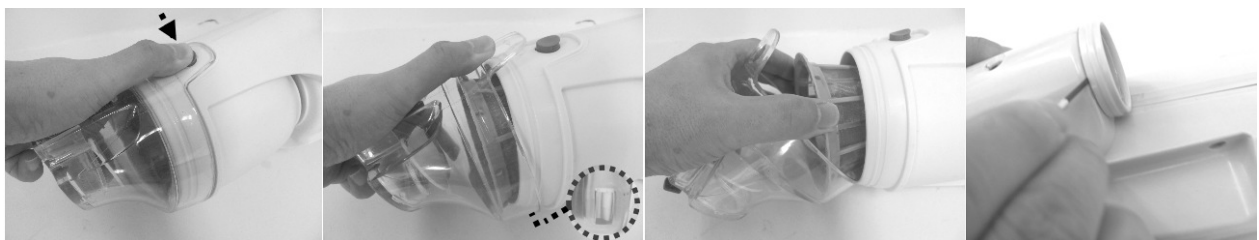
Si se produce una fuga, evite entrar en contacto con los líquidos y coloque la batería dañada en una bolsa de plástico.

- Si los líquidos de la fuga entran en contacto con piel o ropa, lávese inmediatamente con mucha agua y jabón.
- Si los líquidos de la fuga entran en contacto con sus ojos, no los frote; láveselos inmediatamente con agua fresca durante un mínimo de 15 minutos sin frotar. Busque atención médica lo antes posible.

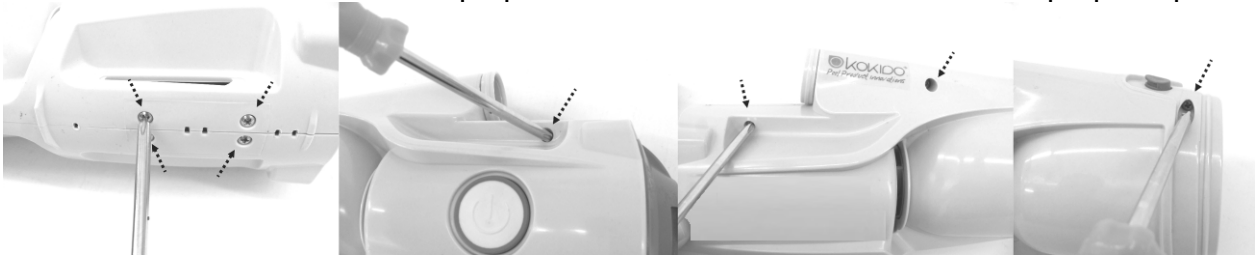
Cómo retirar el paquete de baterías

Herramientas recomendadas (no incluidas): Destornillador Philips y destornillador con punta pequeña.

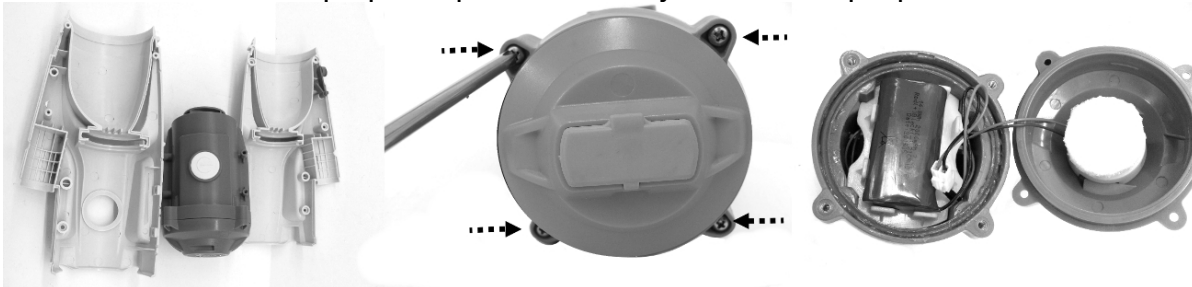
1. Apreté el botón de bloqueo para liberar el contenedor transparente del cuerpo principal. Utilice un destornillador pequeño para quitar el anillo del cuerpo. Si no se puede quitar el anillo, utilice un alicate para cortarlo.



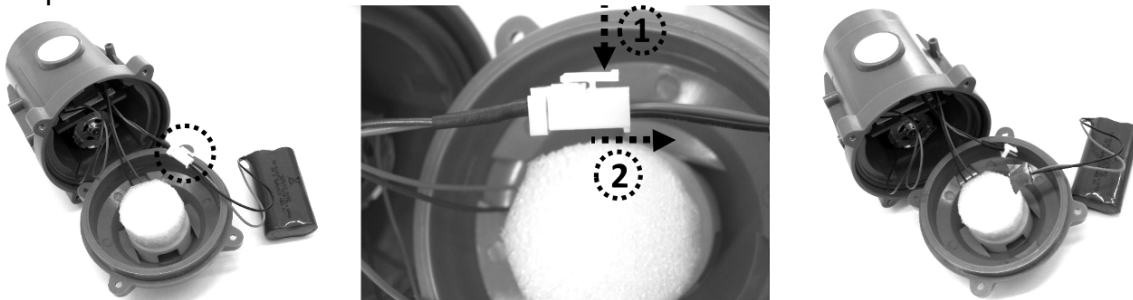
2. Utilice un destornillador Philips para destornillar los tornillos del cuerpo principal.



3. Separar el cuerpo en dos partes para acceder a la cámara principal. Utilice un destornillador Philips para quitar el anillo y acceder el paquete de baterías.



4. Quitar el paquete de batería de la cámara principal. Para quitar el paquete de batería, apreté el clip del conector y dispáralo. NOTA: Envuelva inmediatamente el conector con cinta aislante para evitar cortocircuitos causados por el contacto de los dos polos del cable.



RESOLUCIÓN DE PROBLEMAS

Problem	Possible Cause	Solution
La aspiradora de piscina no captura la suciedad	La batería se está acabando	Vuelva a cargar la batería.
	El propulsor está atascado	Apague la aspiradora de piscina y compruebe visualmente el hueco situado en el centro de la aspiradora para ver si el propulsor está atascado a causa de restos grandes. Si es posible, use una herramienta pequeña para retirar los restos con mucho cuidado. Si es necesario, contacte con su proveedor para obtener más instrucciones. ¡ATENCIÓN! Asegúrese de que la aspiradora de piscina está desconectada antes de manipular la unidad.
	El propulsor está roto	Contacte con su proveedor para sustituir el propulsor.
	El filtro rígido está lleno	Limpie el filtro rígido.
La suciedad sale del filtro	La solapa de la boquilla de succión está rota	La solapa de la boquilla de succión actúa como una puerta, evitando que la suciedad salga del filtro. Contacte su proveedor para sustituir piezas y recibir instrucciones.
	La red del filtro está dañada	Sustituya con un filtro nuevo.
	La válvula de salida se sale	Sin la válvula de salida, la aspiradora de piscina podría succionar restos a través de esta abertura. Contacte con su proveedor para sustituir la válvula.
El mango/conector de pértiga no se puede fijar al conjunto.	El pasador lateral está roto	Sustitúyalo por un nuevo mango / conector de pértiga.
La aspiradora de piscina no se puede cargar / recargar	La batería está dañada	Contacte con su proveedor para sustituir la batería. ¡ATENCIÓN! NO abra la aspiradora de piscina ni sustituya la batería por sí mismo. Podría sufrir heridas graves o fatales y la garantía quedaría anulada.
	Las fichas de contacto de la base de carga y la unidad no están conectadas.	Asegúrese de que la base de carga está montada en la unidad de manera correcta, de modo que sus fichas de contacto se toquen.
	El adaptador externo no funciona	Contacte con su proveedor para la sustitución. ¡ATENCIÓN! Si usa un adaptador externo incorrecto podría dañar la aspiradora de piscina / la batería, por lo que la garantía quedaría anulada.
El cabezal de succión no se mueve con suavidad	La rueda de bola está atascada	Limpie la suciedad en las cavidades de las ruedas.

© 2019 Kokido Development Ltd.

19002018

Todos los derechos reservados. Queda prohibida la reproducción o transmisión parcial o total de este documento de ninguna forma y por ningún medio electrónico, mecánico, en fotocopia, grabación u otros, sin la autorización previa por escrito de Kokido Development, Ltd. (V1).

Si necesita una copia digital de este manual de instrucciones, contacte con nuestro servicio de Atención al Cliente por correo electrónico: customerservice@kokido.com



Ⓞ We reserve the right to change all or part of the features of the articles or contents of this document, without prior notice.

International patents pending

Ⓞ Nous nous réservons le droit de modifier tout ou partie des caractéristiques des articles ou des contenus de ce document, sans notification préalable.

Brevets internationaux en attente

Ⓞ Nos reservamos el derecho de modificar la totalidad o parte de las características de los artículos o contenidos de este documento sin aviso previo

Patentes Internacionales pendientes



Manufacturer/Fabricant/Fabricante:

Kokido Development Limited.

Unit 1319, Sunbeam Centre, 27 Shing Yip Street, Kwun Tong, Kowloon, HK