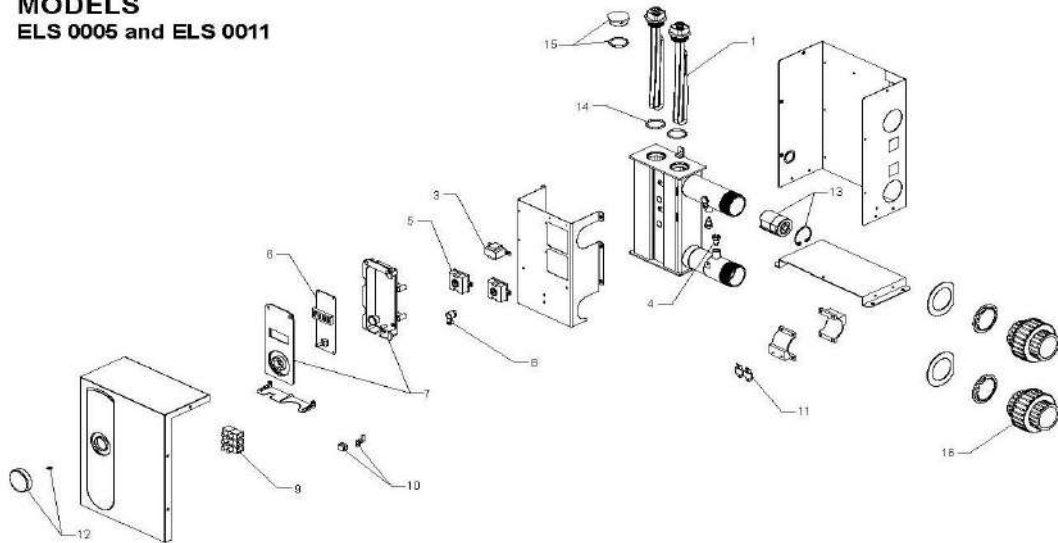


RAYPAK - HEATER PARTS

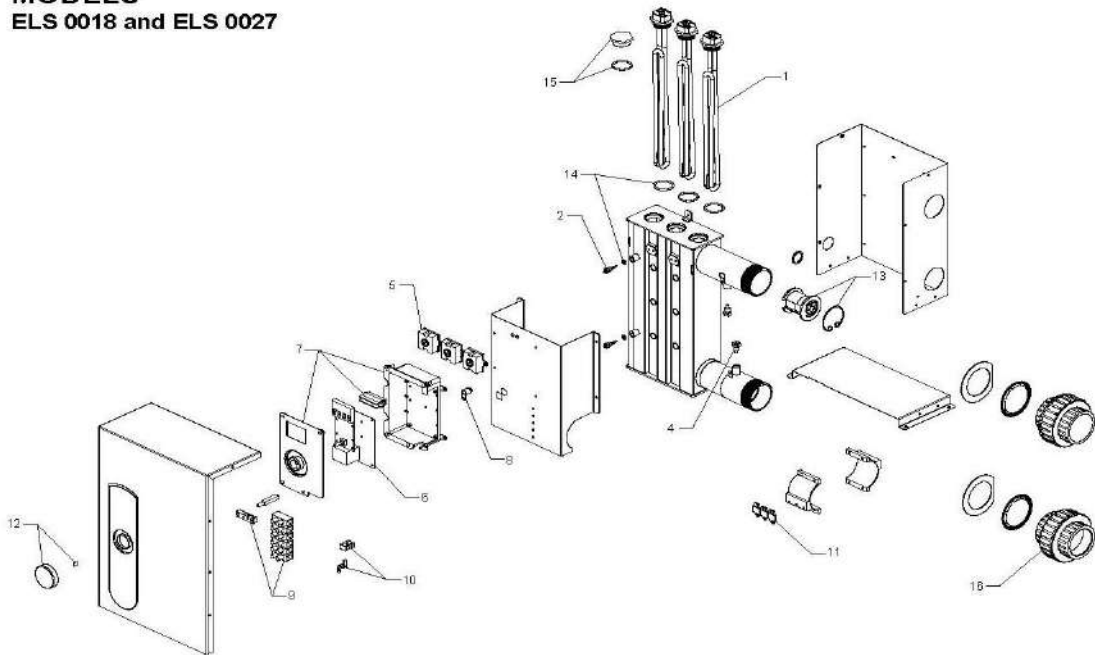
**RAYPAK - HEATER PARTS - E3T: ELECTRIC 3-SERIES TITANUM
ELSR00051T1, R00111T1, R00181T1, R00271T1**

DATE OF MANUFACTURE: 09-30-18 THRU CURRENT

**MODELS
ELS 0005 and ELS 0011**



**MODELS
ELS 0018 and ELS 0027**

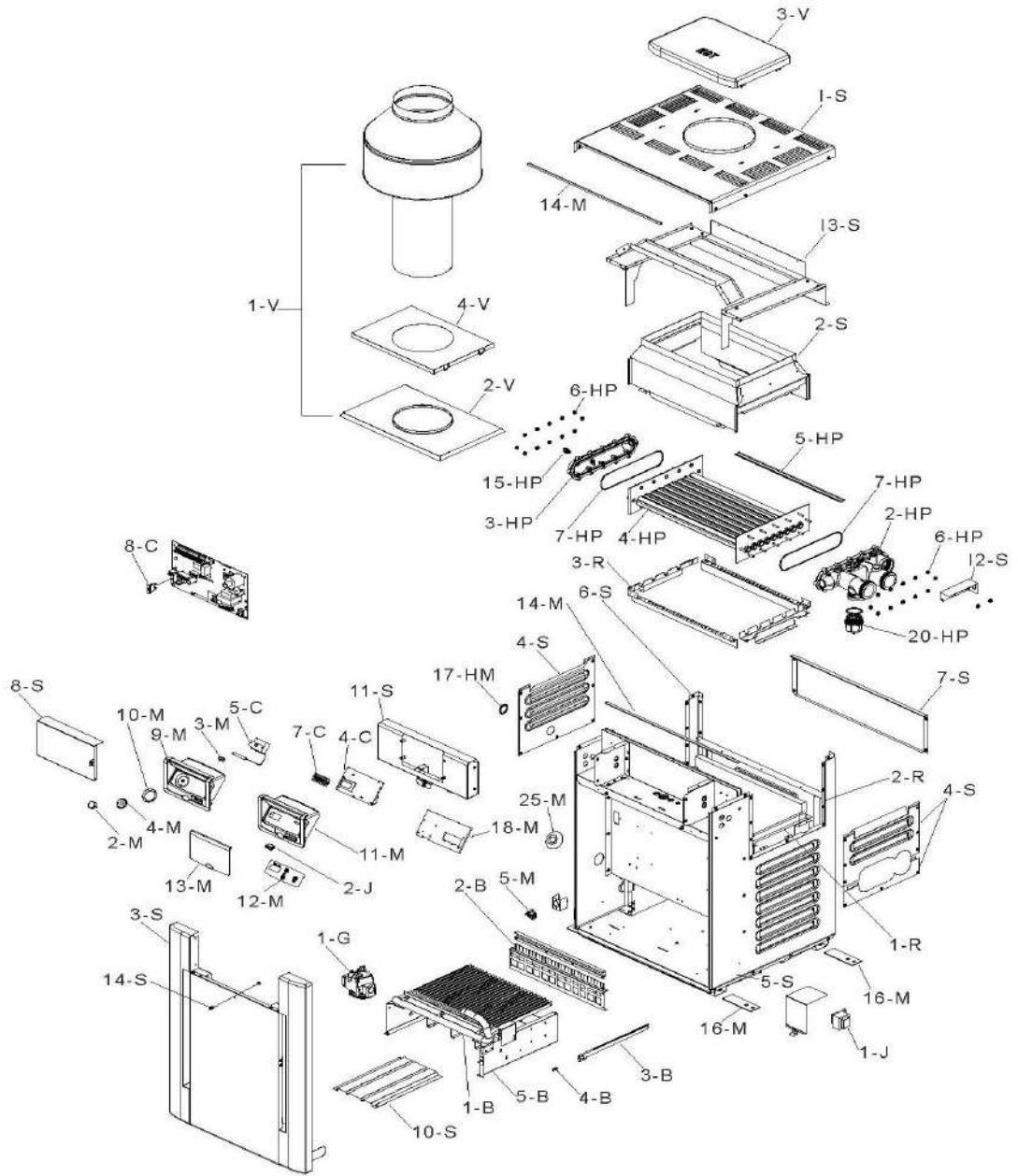


ITEM PART NUMBER	KEY	PRINTED DESCRIPTION	RETAIL PRICE	QTY TO ORDER
PTS-017139F	1	KIT-ELEMENT TUBE ASSY 0005/0011	192.99	
PTS-017140F	1	KIT-ELEMENT TUBE ASSY 0018-0027	197.99	
PTS-017141F	2	KIT-THERMISTOR HEATING CHAMBER	36.99	
PTS-017178F	3	KIT-TRANSFORMER 240V 60HZ 0005/0011	78.99	
PTS-017161F	4	KIT-SENSOR INLET & OUTLET	38.99	

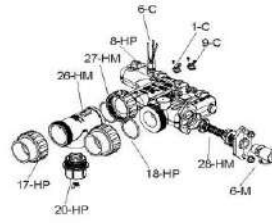
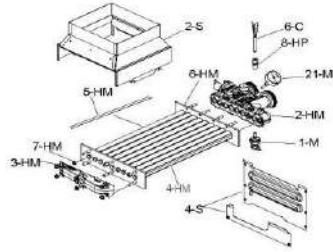
**RAYPAK - HEATER PARTS - E3T: ELECTRIC 3-SERIES TITANUM
ELSR00051T1, R00111T1, R00181T1, R00271T1 CONTINUED**

ITEM PART NUMBER	KEY	PRINTED DESCRIPTION	RETAIL PRICE	QTY TO ORDER
PTS-017143F	5	KIT-THERMOSTAT MANUAL RESET 0005/0011	55.99	
PTS-017144F	5	KIT-THERMOSTAT MANUAL RESET 0018/0027	56.99	
PTS-017145F	6	KIT-PCB 0005/0011	73.99	
PTS-017146F	6	KIT-PCB 0018/0027	105.99	
PTS-017147F	7	KIT-ENCLOSURE ASSY 0005/0011	36.99	
PTS-017159F	7	KIT-ENCLOSURE ASSY 0018/0027	37.99	
PTS-017150F	8	KIT-HALL EFFECT SENSOR 0005/0011	37.99	
PTS-017151F	8	KIT-HALL EFFECT SENSOR 0018/0027	38.99	
PTS-017152F	9	KIT-TERMINAL BLOCK 3 SPACE 0005/0011	32.99	
PTS-017160F	9	KIT-TERMINAL BLOCK 6 SPACE 0018/0027	43.99	
PTS-017148F	10	KIT-GROUND LUG 0005/0011	36.99	
PTS-017149F	10	KIT-GROUND LUG 0018/0027	40.99	
PTS-017153F	11	KIT-TRIAC 3 WIRE	60.99	
PTS-017177F	11	KIT-TRIAC 3 WIRE 0018/0027	97.99	
PTS-017154F	12	KIT-KNOB ASSY	32.99	
PTS-017155F	13	KIT-FLOW SENSOR ASSY 0005/0011	44.99	
PTS-017156F	13	KIT-FLOW SENSOR ASSY 0018/0027	52.99	
PTS-017157F	14	KIT-O RING SEALS (5)	30.99	
PTS-017158F	15	KIT-PIPE PLUG 1-1/2 HEX HD SS 0005 0000018	49.99	
PTS-017179F	16	KIT-UNION 1-1/2 NPT 0005/0011	133.99	
PTS-017180F	16	KIT-UNION 2 NPT 0018/0027	150.99	

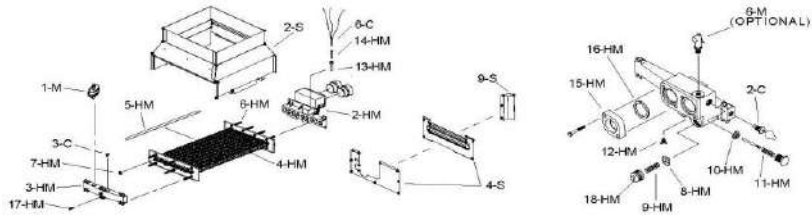
DATE OF MANUFACTURE: 11-01-04 THRU CURRENT



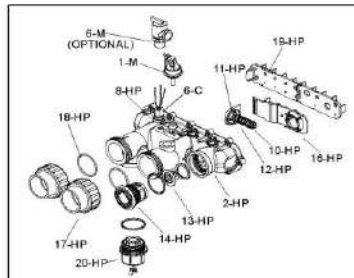
RAYPAK - HEATER PARTS - R206A - R406A CONTINUED



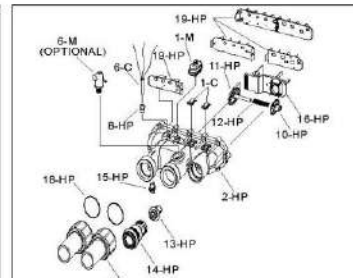
FOR UNITS WITH ASME BRASS HEADERS FROM 12/2019
(PROTEK SHIELD NOT AVAILABLE ON ASME HEATERS UNTIL MARCH 2020)



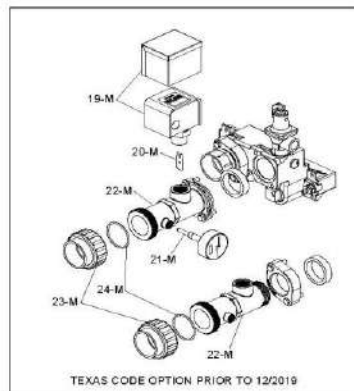
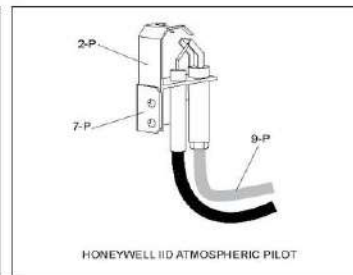
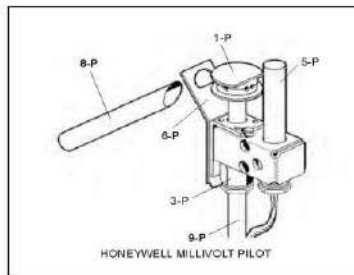
FOR UNITS WITH ASME CAST IRON HEADERS PRIOR TO 12/2019



FOR UNITS WITH POLYMER HEADERS FROM 10/2019



FOR UNITS WITH POLYMER HEADERS PRIOR TO 10/2019



RAYPAK - HEATER PARTS - R206A - R406A CONTINUED

ITEM PART NUMBER	KEY	PRINTED DESCRIPTION	RETAIL PRICE	QTY TO ORDER
BURNER TRAY				
PTS-010391F	1-B	TRAY/MAN 206 BRNR-KIT	704.99	
PTS-010392F	1-B	TRAY/MAN 266 BRNR-KIT	794.99	
PTS-010393F	1-B	TRAY/MAN 336 BRNR-KIT	881.99	
PTS-010394F	1-B	TRAY/MAN 406 BRNR-KIT	1238.99	
PTS-010395F	1-B	TRAY/MAN 206 W/OBRNR-KIT	414.99	
PTS-010396F	1-B	TRAY/MAN 266 W/OBRNR-KIT	457.99	
PTS-010397F	1-B	TRAY/MAN 336 W/OBRNR-KIT	522.99	
PTS-010398F	1-B	TRAY/MAN 406 W/OBRNR-KIT	655.99	
PTS-010399F	1-B	TRAY/MAN 206 W/VALVE NAT STG-KIT	1458.99	
PTS-010401F	1-B	TRAY/MAN 336 W/VALVENAT STG-KIT	1854.99	
PTS-010402F	1-B	TRAY/MAN 406 W/VALVENAT STG-KIT	2012.99	
PTS-010403F	1-B	TRAY/MAN 206 W/VALVE PRO STG-KIT	1458.99	
PTS-010405F	1-B	TRAY/MAN 336 W/VALVEPRO STG-KIT	1854.99	
PTS-010406F	1-B	TRAY/MAN 406 W/VALVEPRO STG-KIT	2012.99	
PTS-010408F	1-B	TRAY/MAN 266 W/VALVE NAT IID-KIT	1889.99	
PTS-010409F	1-B	TRAY/MAN 336 W/VALVENAT IID-KIT	1972.99	
PTS-010410F	1-B	TRAY/MAN 406 W/VALVENAT IID-KIT	2129.99	
PTS-010411F	1-B	TRAY/MAN 206 W/VALVE PRO IID-KIT	1585.99	
PTS-010412F	1-B	TRAY/MAN 266 W/VALVE PRO IID-KIT	1889.99	
PTS-010413F	1-B	TRAY/MAN 336 W/VALVEPRO IID-KIT	1854.99	
PTS-010414F	1-B	TRAY/MAN 406 W/VALVEPRO IID-KIT	2129.99	
PTS-301210	3-B	BURNER	20.99	
PTS-350079F	4-B	ORIFICE-BURNER NAT #50	3.99	
PTS-350080F	4-B	ORIFICE-BURNER NAT #51	3.99	
PTS-350081F	4-B	ORIFICE-BURNER NAT #52	3.99	
PTS-350347F	4-B	ORIFICE-BURNER NAT #53	3.99	
PTS-350083F	4-B	ORIFICE-BURNER PRO #57	3.99	
PTS-350350F	4-B	ORIFICE-BURNER PRO #59	3.99	
PTS-350351F	4-B	ORIFICE-BURNER PRO #60	3.99	
PTS-350352F	4-B	ORIFICE-BURNER PRO #61	3.99	
PTS-010421F	5-B	BURNER TRAY REBUILD206-KIT	348.99	
PTS-010422F	5-B	BURNER TRAY REBUILD266-KIT	394.99	
PTS-010423F	5-B	BURNER TRAY REBUILD336-KIT	465.99	
PTS-010424F	5-B	BURNER TRAY REBUILD406-KIT	605.99	
CONTROLS				
PTS-006725F	1-C	HIGH LIMIT 135FAUTO RESET SURFACE MTG-KIT	47.99	
PTS-600892B	2-C	HIGH LIMIT 135FAUTO RESET-KIT	47.99	

ITEM PART NUMBER	KEY	PRINTED DESCRIPTION	RETAIL PRICE	QTY TO ORDER
PTS-600893B	3-C	HIGH LIMIT 140FAUTO RESET-KIT	47.99	
PTS-013464F	4-C	PC BOARD CONTROLLER106A-405B 206A-408 3WIRE-KIT	457.99	
PTS-003346F	5-C	THERMOSTAT POOL/ELECTRIC SPA-KIT	187.99	
PTS-009577F	6-C	TEMPERATURE SENSORIID THREE WIRE-KIT	80.99	
PTS-013640F	7-C	LCD DISPLAY POOLSTAT-KIT	49.99	
GAS VALVE				
PTS-003898F	1-G	GAS VALVE MV NATPOOL-KIT	400.99	
PTS-003899F	1-G	GAS VALVE MV PROPOOL-KIT	400.99	
PTS-003900F	1-G	GAS VALVE IID NATPOOL-KIT	375.99	
HEAT EXCHANGER - POLYMER				
PTS-010043F	1-HP	HT EX 206/207POLYMER-KIT	2378.99	
PTS-010044F	1-HP	HT EX 266/267POLYMER-KIT	2506.99	
PTS-010045F	1-HP	HT EX 336/337POLYMER-KIT	2632.99	
PTS-010046F	1-HP	HT EX 406/407POLYMER-KIT	2699.99	
PTS-010356F	1-HP	HT EX 206/207POLYMER CUPRO NICKEL-KIT	2965.99	
PTS-010357F	1-HP	HT EX 266/267POLYMER CUPRO NICKEL-KIT	3197.99	
PTS-010358F	1-HP	HT EX 336/337POLYMER CUPRO NICKEL-KIT	3418.99	
PTS-010359F	1-HP	HT EX 406/407POLYMER CUPRO NICKEL-KIT	3604.99	
PTS-017959F	2-HP	KIT-HDR IN/OUT POLYMER COMPLETE 206-407	765.99	
PTS-006827F	2-HP	HDR IN/OUT POLYMERPOOL 185-405 206-407-KIT	718.99	
PTS-014648F	2-HP	HDR IN/OUT POLYMER206A-407A-KIT	531.99	
PTS-015095F	3-HP	HDR RETURN POLYMER206A-407A-KIT	144.99	
PTS-010059F	4-HP	TUBE BUNDLE 206/207POLYMER-KIT	1062.99	
PTS-010060F	4-HP	TUBE BUNDLE 266/267POLYMER-KIT	1149.99	
PTS-010061F	4-HP	TUBE BUNDLE 336/337POLYMER-KIT	1226.99	
PTS-010062F	4-HP	TUBE BUNDLE 406/407POLYMER-KIT	1321.99	
PTS-014930F	4-HP	TUBE BUNDLE 206APOLYMER CUPRO NICKEL-KIT	1574.99	
PTS-014931F	4-HP	TUBE BUNDLE 266APOLYMER CUPRO NICKEL-KIT	1775.99	
PTS-014932F	4-HP	TUBE BUNDLE 336APOLYMER CUPRO NICKEL-KIT	1947.99	
PTS-014933F	4-HP	TUBE BUNDLE 406APOLYMER CUPRO NICKEL-KIT	2151.99	
PTS-010364F	4-HP	TUBE BUNDLE 206/207POLYMER CUPRO NICKEL-KIT	1574.99	
PTS-010365F	4-HP	TUBE BUNDLE 265/266/267 POLYMER CUPRO NICKEL-KIT	1775.99	
PTS-010366F	4-HP	TUBE BUNDLE 336/337POLYMER CUPRO NICKEL-KIT	1947.99	
PTS-010367F	4-HP	TUBE BUNDLE 406/407POLYMER CUPRO NICKEL-KIT	2151.99	
PTS-008259F	6-HP	FLANGE NUT 1/4-20-KIT	22.99	
PTS-006713F	7-HP	O RING GASKET (2)185-405 206-406 207-407-KIT	28.99	
PTS-006714F	8-HP	SENSOR ADAPTER POOL-KIT	37.99	
PTS-006805F	8-HP	SENSOR WELL-KIT	41.99	

RAYPAK - HEATER PARTS - R206A - R406A CONTINUED

ITEM PART NUMBER	KEY	PRINTED DESCRIPTION	RETAIL PRICE	QTY TO ORDER
PTS-006715F	9-HP	BYPASS 185-405206-406 207-407-KIT	50.99	
PTS-006716F	10-HP	BYPASS VALVE POOL-KIT	40.99	
PTS-006717F	11-HP	BYPASS DAM/SHAFT-KIT	41.99	
PTS-006718F	12-HP	BYPASS SPRING185-405 206-406 207-407-KIT	35.99	
PTS-006719F	13-HP	UG 185-405 206-406207-407-KIT	79.99	
PTS-006720F	14-HP	UG PLUG POLYMER185-405 206-406 207-407-KIT	41.99	
PTS-006721F	15-HP	DRAIN PLUG POOL-KIT	20.99	
PTS-006826F	16/19-HP	BAFFLE PLASTIC HDR-KIT	39.99	
PTS-006723F	17-HP	CONNECTOR & NUT CPVC2" (2)-KIT	50.99	
PTS-006724F	18-HP	O RING INLET/OUTLETPOOL-KIT	25.99	
HEAT EXCHANGER - METAL				
PTS-010360F	1-HM	HT EX 206/207 CIASME CUPRO NICKEL-KIT	2923.99	
PTS-010361F	1-HM	HT EX 266/267 CIASME CUPRO NICKEL-KIT	3166.99	
PTS-010362F	1-HM	HT EX 336/337 CIASME CUPRO NICKEL-KIT	3391.99	
PTS-010363F	1-HM	HT EX 406/407 CIASME CUPRO NICKEL-KIT	3572.99	
PTS-006730F	2-HM	HDR IN/OUT CCOMPLETE 185-405 206-407-KIT	535.99	
PTS-003766F	15-HM	FLANGE IN/OUT CI1-1/2 & 2-KIT	99.99	
PTS-062236B	16-HM	GASKET HDR FLANGE1-1/2-KIT	14.99	
PTS-006731F	3-HM	HDR RETURN CI185-405 206-406 207-407-KIT	155.99	
PTS-800014B	7-HM	GASKET HT EX 3/4 IDFLAT-KIT	23.99	
PTS-062234B	8-HM	UNITHERM GOV155B-405 206-408-KIT	79.99	
PTS-003765F	13-HM	SENSOR WELL 105A-405206-408 207-407-KIT	67.99	
PTS-300203	14-HM	RETAINER-TEMP SENSORBULB	0.99	
PTS-005264F	17-HM	DRAIN PLUG RETURNHEADER-KIT	14.99	
CONTROL BOX				
PTS-006736F	1-J	TRANSFORMER 120/240V-KIT	91.99	
PTS-009493F	2-J	ROCKER SWITCH SPST-KIT	21.99	
MISCELLANEOUS COMPONENTS				
PTS-006737F	1-M	PRESSURE SWITCH 1.75PSI-KIT	71.99	
PTS-009133F	1-M	PRESSURE SWITCH 11PSI-KIT	79.99	
PTS-009499F	2-M	CONTROL KNOB MV-KIT	4.99	
PTS-006886F	4-M	THERMOSTAT KNOB STOP-KIT	6.99	
PTS-005899F	5-M	THERMAL CUT-OFF FUSE-KIT	38.99	
PTS-008091F	6-M	PRV 125 PSI-KIT	76.99	
PTS-007224F	6-M	PRV 125 PSI-KIT	112.99	
PTS-052871F	7-M	DELIMING 5/8 TUBE-KIT	288.99	
PTS-010386F	8-M	WIRE/HARNESS MV206-406-KIT	115.99	
PTS-009490F	8-M	WIRE/HARNESS IID185B-405B 206-406-KIT	175.99	

RAYPAK - HEATER PARTS - R206A - R406A CONTINUED

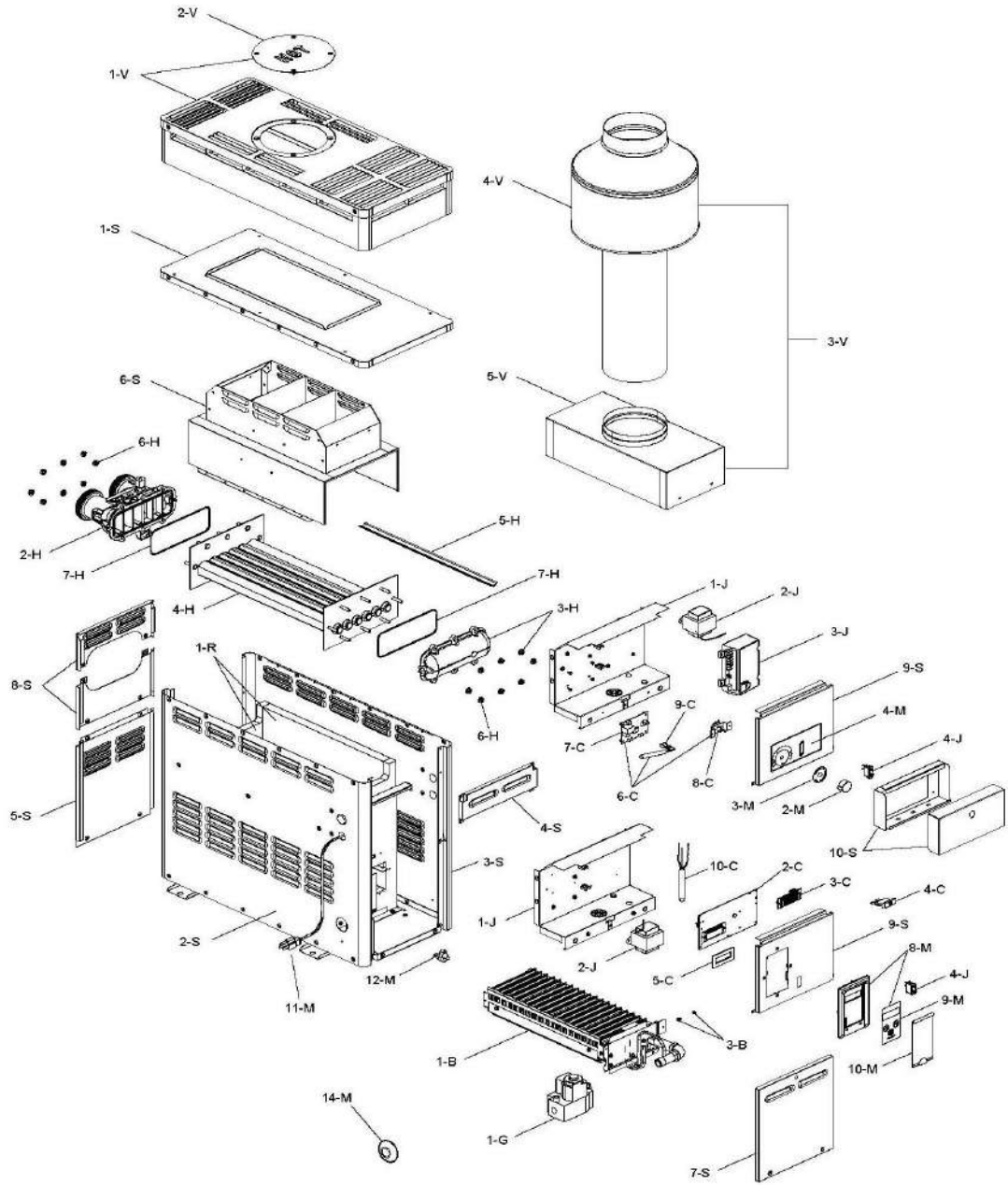
ITEM PART NUMBER	KEY	PRINTED DESCRIPTION	RETAIL PRICE	QTY TO ORDER
PTS-009489F	9-M	CONTROL BEZEL MV185B-405B 206-406-KIT	125.99	
PTS-013491F	11-M	CONTROL BEZEL IID206A-408A-KIT	191.99	
PTS-009491F	11-M	CONTROL BEZEL IID185B-405B 206-407-KIT	195.99	
PTS-013492F	12-M	SWITCH/DECALMEMBRANE 206A-408A-KIT	67.99	
PTS-009492F	12-M	SWITCH/DECALMEMBRANE 185B-407-KIT	67.99	
PTS-009487F	13-M	COVER CONTROL BEZEL-KIT	34.99	
PTS-010350F	14-M	GASKET INSULATION206-408-KIT	35.99	
PTS-750125	15-M	PAINT-AERO FOREST GREEN	56.99	
PTS-750126	15-M	PAINT-AERO CHARCOAL GREY	62.99	
PTS-750256	15-M	PAINT-AERO COOL DARKGREY	56.99	
PTS-750258	15-M	PAINT-AERO WARM DARKGREY	56.99	
PTS-014647F	21-M	TEMP & PRESSUREGAUGE 0-200 PSI-KIT	386.99	
PTS-006723F	23-M	CONNECTOR & NUT CPVC2" (2)-KIT	50.99	
PTS-006724F	24-M	O RING INLET/OUTLETPOOL-KIT	25.99	
PILOT				
PTS-600525B	1-P	PILOT-MV NAT Q324A1008	118.99	
PTS-600575B	1-P	PILOT-MILLIVOLT LP Q324A	116.99	
PTS-002003F	2-P	PILOT E10 NAT/PRO053-408-KIT	100.99	
PTS-003901F	3-P	PILOT ORIFICE NAT MV-KIT	7.99	
PTS-003902F	3-P	PILOT ORIFICE PRO MV-KIT	38.99	
PTS-010352F	6-P	PILOT BRKT MV206-406-KIT	7.99	
PTS-306692	7-P	BRACKET-PILOT MTG	6.99	
PTS-004078F	9-P	PILOT TUBE 34"-KIT	56.99	
PTS-010351F	11-P	PILOT SHIELD 206-408-KIT	6.99	
REFRACTORY				
PTS-010088F	1-R	REF BLOCK 206-408LT&RT-KIT	259.99	
PTS-010089F	2-R	REF BLOCK FT & RR206-KIT	196.99	
PTS-010090F	2-R	REF BLOCK FT & RR266-268-KIT	228.99	
PTS-010091F	2-R	REF BLOCK FT & RR336-KIT	254.99	
PTS-010092F	2-R	REF BLOCK FT & RR406-408-KIT	284.99	
PTS-010387F	3-R	REF RETAINER 206-KIT	74.99	
PTS-010388F	3-R	REF RETAINER 266-268-KIT	84.99	
PTS-010389F	3-R	REF RETAINER 336-KIT	94.99	
PTS-010390F	3-R	REF RETAINER 406-408-KIT	102.99	
SHEETMETAL				
PTS-010047F	1-S	JACKET TOP 206-207-KIT	343.99	
PTS-010048F	1-S	JACKET TOP 266-268-KIT	365.99	
PTS-010049F	1-S	JACKET TOP 336-337-KIT	386.99	

RAYPAK - HEATER PARTS - R206A - R406A CONTINUED

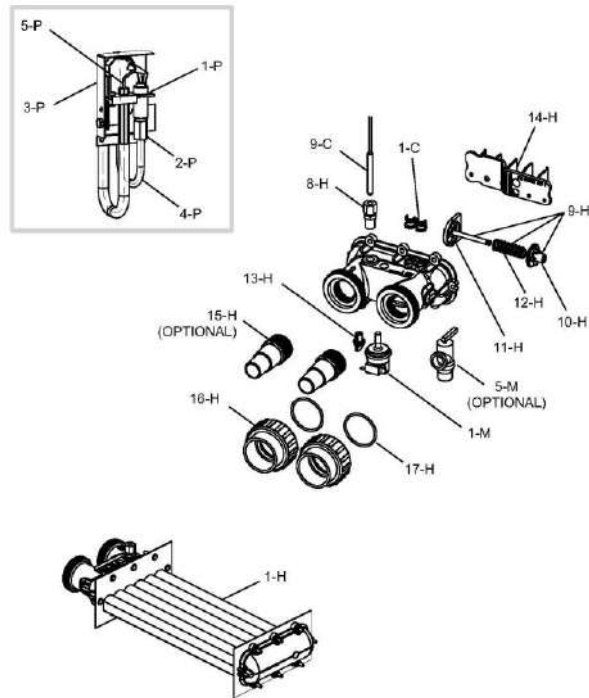
ITEM PART NUMBER	KEY	PRINTED DESCRIPTION	RETAIL PRICE	QTY TO ORDER
PTS-010050F	1-S	JACKET TOP 406-408-KIT	411.99	
PTS-010074F	2-S	FLUE COLLECTOR 406-KIT	460.99	
PTS-010075F	2-S	FLUE COLLECTOR 206ASME-KIT	440.99	
PTS-010076F	2-S	FLUE COLLECTOR 266ASME-KIT	440.99	
PTS-010077F	2-S	FLUE COLLECTOR 336ASME-KIT	465.99	
PTS-010078F	2-S	FLUE COLLECTOR 406ASME-KIT	465.99	
PTS-013859F	3-S	DOOR 206 RAYPAK COOLDARK GREY-KIT	263.99	
PTS-013860F	3-S	DOOR 266 RAYPAK COOLDARK GREY-KIT	284.99	
PTS-013861F	3-S	DOOR 336 RAYPAK COOLDARK GREY-KIT	297.99	
PTS-013862F	3-S	DOOR 406 RAYPAK COOLDARK GREY-KIT	304.99	
PTS-013863F	3-S	DOOR 206 RHEEM COOL& WARM GREY-KIT	263.99	
PTS-013864F	3-S	DOOR 266 RHEEM COOL& WARM GREY-KIT	284.99	
PTS-013865F	3-S	DOOR 336 RHEEM COOL& WARM GREY-KIT	297.99	
PTS-013866F	3-S	DOOR 406 RHEEM COOL& WARM GREY-KIT	304.99	
PTS-010382F	3-S	DOOR 206 RHEEM/RUUDGREEN-KIT	263.99	
PTS-010384F	3-S	DOOR 336 RHEEM/RUUDGREEN-KIT	297.99	
PTS-010385F	3-S	DOOR 406 RHEEM/RUUDGREEN-KIT	304.99	
PTS-013867F	3-S	DOOR 206 RUUD WARMGREY-KIT	263.99	
PTS-013868F	3-S	DOOR 266 RUUD WARMGREY-KIT	284.99	
PTS-013869F	3-S	DOOR 336 RUUD WARMGREY-KIT	297.99	
PTS-013870F	3-S	DOOR 406 RUUD WARMGREY-KIT	304.99	
PTS-010377F	6-S	JACKET SIDE LT206-408-KIT	254.99	
PTS-010374F	7-S	JACKET REAR PANEL(2) 336-KIT	166.99	
PTS-010375F	7-S	JACKET REAR PANEL(2) 406-408-KIT	187.99	
PTS-010319F	9-S	HIGH LIMIT COVER206-408 207-407-KIT	47.99	
PTS-010320F	10-S	BASE HEAT SHIELD206-408 207-407-KIT	41.99	
PTS-010342F	12-S	SHIELD HIGH LIMIT206/407-KIT	40.99	
VENTING				
HTR-009838	1-V	INDOOR STACK TOP 6 INCH FOR MODEL 206	119.99	
HTR-009839	1-V	INDOOR STACK TOP 7 INCH FOR MODEL 266	119.99	
HTR-009840	1-V	INDOOR STACK TOP 8 INCH FOR MODEL 336	119.99	
HTR-009841	1-V	INDOOR STACK TOP 9 INCH FOR MODEL 406	119.99	
HTR-009834	1-V	OUTDOOR STACK TOP 6 INCH FOR MODEL 206	119.99	
HTR-009835	1-V	OUTDOOR STACK TOP 7 INCH FOR MODEL 266	119.99	
HTR-009836	1-V	OUTDOOR STACK TOP 8 INCH FOR MODEL 336	119.99	
HTR-009837	1-V	OUTDOOR STACK TOP 9 INCH FOR MODEL 406	119.99	
PTS-010330F	2-V	STACK ADAPTER206-207-KIT	88.99	
PTS-010331F	2-V	STACK ADAPTER266-268-KIT	91.99	

RAYPAK - HEATER PARTS - R206A - R406A CONTINUED

ITEM PART NUMBER	KEY	PRINTED DESCRIPTION	RETAIL PRICE	QTY TO ORDER
PTS-010332F	2-V	STACK ADAPTER336-337-KIT	99.99	
PTS-010333F	2-V	STACK ADAPTER406-408-KIT	103.99	
PTS-011461F	4-V	STACK ADAPTER OUTER206-207-KIT	49.99	
PTS-011462F	4-V	STACK ADAPTER OUTER266-268-KIT	60.99	
PTS-011463F	4-V	STACK ADAPTER OUTER336-337-KIT	68.99	
PTS-011464F	4-V	STACK ADAPTER OUTER406-408-KIT	74.99	
PTS-013883F	3-V	PAGODA TOP 206/207COOL DARK GREY-KIT	54.99	
PTS-013884F	3-V	PAGODA TOP 266/267COOL DARK GREY-KIT	68.99	
PTS-013885F	3-V	PAGODA TOP 336/337COOL DARK GREY-KIT	77.99	
PTS-013886F	3-V	PAGODA TOP 406/407COOL DARK GREY-KIT	94.99	
PTS-010334	3-V	PAGODA TOP 206/207GREEN-KIT	54.99	
PTS-010335	3-V	PAGODA TOP266/267/268 GREEN-KIT	68.99	
PTS-010336	3-V	PAGODA TOP 336/337GREEN-KIT	77.99	
PTS-010337	3-V	PAGODA TOP406/407/408 GREEN-KIT	94.99	
CONVERSION KITS				
PTS-004690B	N/S	CONVERT NAT TO PRO151-266 MV-KIT	191.99	
PTS-004692B	N/S	CONVERT NAT TO PRO331-405 MV-KIT	200.99	
PTS-010419F	N/S	CONVERT PRO TO NAT206-266-KIT	158.99	
PTS-010420F	N/S	CONVERT PRO TO NAT336-406-KIT	170.99	



RAYPAK - HEATER PARTS - R106A - R156A CONTINUED



ITEM PART NUMBER	KEY	PRINTED DESCRIPTION	RETAIL PRICE	QTY TO ORDER
BURNER TRAY				
PTS-014841F	1-B	TRAY/MAN 106A NAT1.30MM-KIT	382.99	
PTS-014842F	1-B	TRAY/MAN 156A NAT1.30MM-KIT	430.99	
PTS-014845F	1-B	TRAY/MAN 106A PRO.84MM-KIT	382.99	
PTS-014846F	1-B	TRAY/MAN 156A PRO.84MM-KIT	430.99	
PTS-014849F	1-B	BURNER TRAY 106A NAT1.30MM-KIT	528.99	
PTS-014850F	1-B	BURNER TRAY 156A NAT1.30MM-KIT	577.99	
PTS-014853F	1-B	BURNER TRAY 106A PRO.84MM-KIT	528.99	
PTS-014854F	1-B	BURNER TRAY 156A PRO.84MM-KIT	577.99	
CONTROLS				
PTS-006725F	1-C	HIGH LIMIT 135FAUTO RESET SURFACE MTG-KIT	47.99	
PTS-013464F	2-C	PC BOARD CONTROLLER106A-405B 206A-408 3WIRE-KIT	457.99	
PTS-013640F	3-C	LCD DISPLAY POOLSTAT-KIT	49.99	
PTS-014866F	5-C	GASKET LCD WINDOW-KIT	1.99	
PTS-011585F	6-C	THERMOSTAT POOL-KIT	348.99	
PTS-014923F	7-C	PC BOARD POOL IID106A-KIT	255.99	
PTS-011586F	8-C	POTENTIOMETER TEMPCONTROL-KIT	56.99	
PTS-011587F	9-C	TEMP SENSORELECTRONIC TWO WIRE-KIT	86.99	
PTS-009577F	10-C	TEMPERATURE SENSORIID THREE WIRE-KIT	80.99	
GAS VALVE				
PTS-014867F	1-G	GAS VALVE NAT106A-156A-KIT	148.99	
PTS-014868F	1-G	GAS VALVE PRO106A-156A-KIT	148.99	

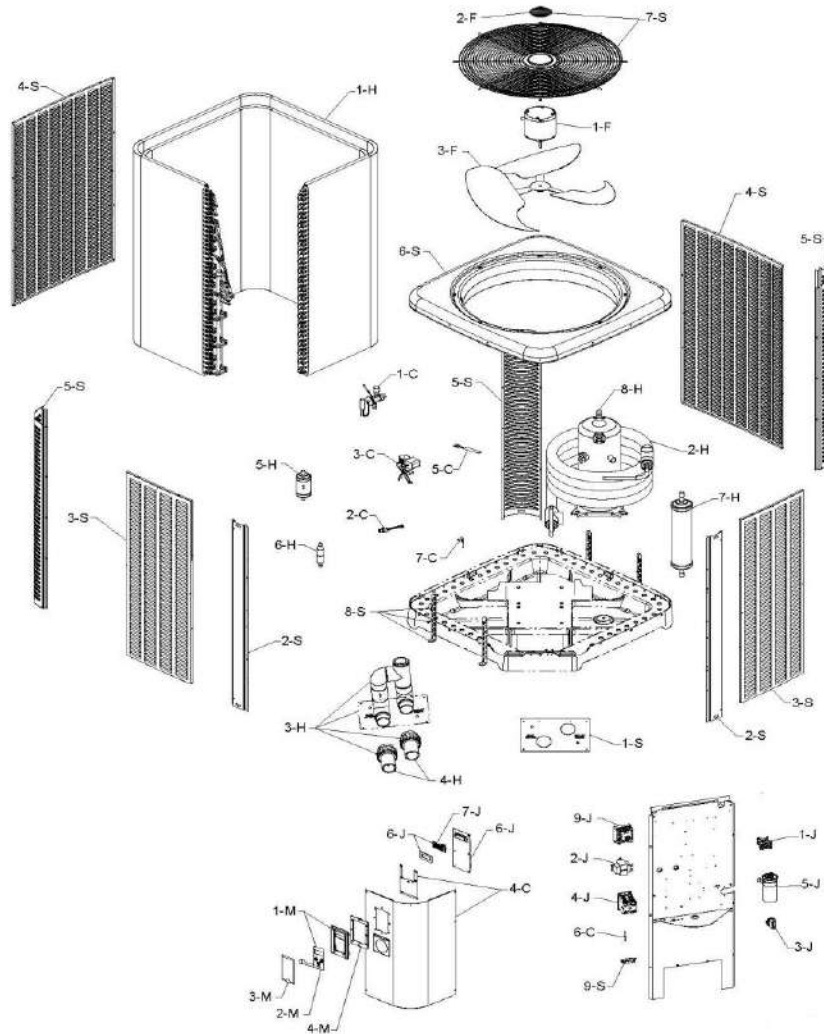
ITEM PART NUMBER	KEY	PRINTED DESCRIPTION	RETAIL PRICE	QTY TO ORDER
HEAT EXCHANGER				
PTS-014869F	1-H	HT EX 106A POLYMER-KIT	1167.99	
PTS-014870F	1-H	HT EX 156A POLYMER-KIT	1389.99	
PTS-011594F	2-H	HDR IN/OUT POLYMERPOOL 130-KIT	546.99	
PTS-011595F	2-H	HDR IN/OUT POLYMER130 106A-156A-KIT	388.99	
PTS-011596F	3-H	HDR RETURN POLYMER130 106A-156A-KIT	115.99	
PTS-014874F	4-H	TUBE BUNDLE 106APOLYMER-KIT	515.99	
PTS-014875F	4-H	TUBE BUNDLE 156APOLYMER-KIT	687.99	
PTS-008259F	6-H	FLANGE NUT 1/4-20-KIT	22.99	
PTS-011600F	7-H	O RING GASKET (2)130 106A-156A-KIT	30.99	
PTS-006714F	8-H	SENSOR ADAPTER POOL-KIT	37.99	
PTS-011601F	9-H	BYPASS 130-KIT	41.99	
PTS-006716F	10-H	BYPASS VALVE POOL-KIT	40.99	
PTS-006717F	11-H	BYPASS DAM/SHAFT-KIT	41.99	
PTS-011602F	12-H	BYPASS SPRING 130-KIT	4.99	
PTS-006721F	13-H	DRAIN PLUG POOL-KIT	20.99	
PTS-014882F	14-H	INLET/OUTLET HEADERDAM 106A-156A-KIT	115.99	
PTS-011635	15-H	HOSE ADAPTOR1-1/2 MPT X 1-1/2-KIT	24.99	
PTS-006723F	16-H	CONNECTOR & NUT CPVC2" (2)-KIT	50.99	
PTS-006724F	17-H	O RING INLET/OUTLETPOOL-KIT	25.99	
CONTROL BOX				
PTS-014883F	1-J	CONTROL BOX ANALOGNAT 106A-KIT	398.99	
PTS-011605F	2-J	TRANSFORMER 120/240V130 106A-KIT	91.99	
PTS-006736F	2-J	TRANSFORMER 120/240V-KIT	91.99	
PTS-004817B	3-J	ELECTRONIC IGNITIONCONTROL W/O LOCKOUT-KIT	258.99	
PTS-004818B	3-J	ELECTRONIC IGNITIONCONTROL W/LOCKOUT-KIT	258.99	
PTS-009493F	4-J	ROCKER SWITCH SPST-KIT	21.99	
MISCELLANEOUS COMPONENTS				
PTS-006737F	1-M	PRESSURE SWITCH 1.75PSI-KIT	71.99	
PTS-009133F	1-M	PRESSURE SWITCH 11PSI-KIT	79.99	
PTS-009499F	2-M	CONTROL KNOB MV-KIT	4.99	
PTS-006886F	3-M	THERMOSTAT KNOB STOP-KIT	6.99	
PTS-014912F	4-M	KIT-DIAL PLATE (ANALOG) 106A	146.99	
PTS-008091F	5-M	PRV 125 PSI-KIT	76.99	
PTS-052871F	6-M	DELIMING 5/8 TUBE-KIT	288.99	
PTS-014884F	7-M	WIRE/HARNESS 106A-KIT	73.99	
PTS-014885F	7-M	WIRE/HARNESS 156A-KIT	111.99	
PTS-014886F	8-M	CONTROL BEZEL 156A-KIT	125.99	

RAYPAK - HEATER PARTS - R106A - R156A CONTINUED

ITEM PART NUMBER	KEY	PRINTED DESCRIPTION	RETAIL PRICE	QTY TO ORDER
PTS-014887F	9-M	SWITCH/DECALMEMBRANE-KIT	67.99	
PTS-014888F	10-M	COVER CONTROL BEZEL-KIT	34.99	
PTS-011609F	11-M	LINE CORD 120V POOL-KIT	41.99	
PTS-005899F	12-M	THERMAL CUT-OFF FUSE-KIT	38.99	
PTS-750256	13-M	PAINT-AERO COOL DARKGREY	56.99	
PTS-750258	13-M	PAINT-AERO WARM DARKGREY	56.99	
PILOT				
PTS-002003F	1-P	PILOT E10 NAT/PRO053-408-KIT	100.99	
PTS-014889F	3-P	PILOT BRKT 106A-156A-KIT	6.99	
PTS-004078F	4-P	PILOT TUBE 34"-KIT	56.99	
REFRACTORY				
PTS-014890F	1-R	REF BLOCK 106A-KIT	303.99	
PTS-014891F	1-R	REF BLOCK 156A-KIT	445.99	
SHEETMETAL				
PTS-014900F	6-S	FLUE COLLECTOR 106A-KIT	119.99	
PTS-014901F	6-S	FLUE COLLECTOR 156A-KIT	154.99	
PTS-014902F	7-S	JACKET DOOR RAYPAK/RUUD 106A-156A-KIT	134.99	
PTS-014903F	7-S	JACKET DOOR RHEEM106A-156A-KIT	134.99	
PTS-014904F	8-S	ACCESS PANEL106A-156A-KIT	76.99	
PTS-014905F	9-S	KIT-CONTROL PANEL 106A	147.99	
PTS-014906F	9-S	CONTROL PANEL 156A-KIT	79.99	
VENTING				
PTS-014907F	1-V	STACKLESS TOP 106A-KIT	213.99	
PTS-014908F	1-V	STACKLESS TOP 156A-KIT	216.99	
PTS-014909F	2-V	ACCESS STACK106A-156A-KIT	14.99	
HTR-014357	3-V	INDOOR STACK TOP 6 INCH FOR MODEL 106	82.99	
HTR-014358	3-V	INDOOR TOP FOR PR156AENC	85.99	
HTR-014718	3-V	OUTDOOR TOP FOR PR106AEP	188.99	
HTR-014719	3-V	OUTDOOR TOP FOR PR156AENC	197.99	
PTS-014910F	5-V	STACK ADAPTER 106A-KIT	79.99	
PTS-014911F	5-V	STACK ADAPTER 156A-KIT	81.99	
CONVERSION KITS				
PTS-014914F	N/S	CONVERT NAT TO PRO106A CU-KIT	484.99	
PTS-014915F	N/S	CONVERT NAT TO PRO156A CU-KIT	224.99	
PTS-014918F	N/S	CONVERT PRO TO NAT106A CU-KIT	484.99	
PTS-014919F	N/S	CONVERT PRO TO NAT156A CU-KIT	718.99	

RAYPAK - HEATER PARTS - HEAT PUMP DIGITAL - 5450TI, 6450TI, 8450TI

DATE OF MANUFACTURE: 01-21-17 THRU CURRENT



ITEM PART NUMBER	KEY	PRINTED DESCRIPTION	RETAIL PRICE	QTY TO ORDER
CONTROLS				
PTS-H000173	1-C	TX VALVE 8 TON PD/HC-KIT	288.99	
PTS-H000077	1-C	TX VALVE 12 TON-KIT	459.99	
PTS-H000078	2-C	CONTROL LOW PRESSURE-KIT	78.99	
PTS-H000079	3-C	CONTROL HIGHPRESSURE-KIT	73.99	
HEAT TRANSFER				
PTS-H000011	5-H	DRIER RECEIVER-KIT	88.99	
PTS-H000006	6-H	CHECK VALVE 8350-KIT	92.99	
PTS-H000255	7-H	CHARGE COMPENSATORHT PUMP-KIT	136.99	
PTS-H000011	5-H	DRIER RECEIVER-KIT	88.99	
PTS-H000006	6-H	CHECK VALVE 8350-KIT	92.99	
PTS-H000255	7-H	CHARGE COMPENSATORHT PUMP-KIT	136.99	

**RAYPAK - HEATER PARTS - HEAT PUMP DIGITAL - 5450TI,
6450TI, 8450TI CONTINUED**

ITEM PART NUMBER	KEY	PRINTED DESCRIPTION		RETAIL PRICE	QTY TO ORDER
PTS-H000012	8-H	COMPRESSOR HEAT PUMP6350-KIT		2350.99	
PTS-H000014	8-H	COMPRESSOR HEAT PUMP8350-KIT		2903.99	
PTS-H000271	9-H	POWER PLUGCOMPRESSOR-KIT		123.99	
FAN					
PTS-H000296	1-F	FAN MOTOR 850 RPM-KIT		293.99	
CONTROL BOX					
PTS-H000025	3-J	WATER PRESSURESWITCH-KIT		53.99	
PTS-H000043	4-J	CONTACTOR 50 AMP5350-8354-KIT		56.99	
PTS-H000127	5-J	CAPACITOR 80/5/370-KIT		75.99	
PTS-H000051	5-J	CAPACITOR5-80/440-KIT		75.99	
PTS-H000291	9-J	MONITOR 1 PHASE HP-KIT		274.99	
MISCELLANEOUS					
PTS-H000327	3-M	KIT-COVER CONTROL BEZEL 5450-8450 9350/9353		29.99	
PTS-H000344	4-M	KIT-GASKET CONTROL BEZEL 9350/9353 5450-8450		94.99	