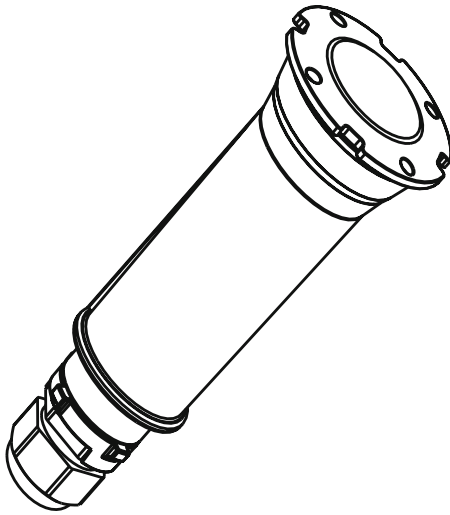




GLOBRITE® COLOR CHANGING
UNDERWATER LED LIGHT
FOR POOL AND SPA



INSTALLATION
AND
USER'S GUIDE

IMPORTANT SAFETY INSTRUCTIONS
READ AND FOLLOW ALL INSTRUCTIONS
SAVE THESE INSTRUCTIONS

Technical Support

Phone: (800) 831-7133 - Fax: (800) 284-4151

www.pentair.com

Contents

IMPORTANT WARNING AND SAFETY INSTRUCTIONS.....	iii
GloBrite Color Changing LED Pool Light Overview	1
Operating GloBrite Color Lights Using a Wall Switch	1
Operating GloBrite Color Lights Using an Automation Control System	1
Using and External Transformer for Multiple 12 VAC GloBrite Color Lights	1
Maximum Wattage Using Multiple Color LED Lights (with a 300 W Transformer)	1
Operating GloBrite Color Lights Using a Wall Switch.....	2
Powering on the GloBrite LED Lights	2
Selecting a GloBrite Light Color and Show Modes or Fixed Color using a Wall Switch	2
Saving a Color Mode or Fixed Color	3
Selecting a GloBrite Color Light Show Mode Using an IntelliBrite Controller	3
GloBrite Light Fixture Installation (new pool construction USA).....	4
GloBrite Light Fixture Installation (new pool construction Canada).....	5
Installing the GloBrite Light Sleeve and Niche in a Concrete/Gunite Pool	6
Option 1: Light Niche Sleeve with Cone	6
Option 2: Conduit to Light Niche	7
Installing GloBrite Light in a Fiberglass Pool	8
Installing GloBrite Light in a Vinyl Pool	9
Installing the GloBrite Light Assembly (after niche installation).....	10
Replacing the GloBrite Light Assembly (in an existing pool or spa)	12
Connecting GloBrite Color Lights to EasyTouch/IntelliTouch Load Center	14
Setting up GloBrite Color Lights with EasyTouch/IntelliTouch Control System.....	16
Wiring GloBrite Color Lights to IntelliBrite Controller and 300 W Transformer	19
Troubleshooting	19
GloBrite Color Lights Parts List and Replacement Kits	20

READ AND FOLLOW ALL INSTRUCTIONS IN THIS MANUAL



IMPORTANT WARNING AND SAFETY INSTRUCTIONS



SERIOUS BODILY INJURY OR DEATH CAN RESULT IF THIS LIGHT IS NOT INSTALLED AND USED CORRECTLY.



INSTALLERS, POOL OPERATORS AND POOL OWNERS MUST READ THESE WARNINGS AND ALL INSTRUCTIONS BEFORE USING THE POOL AND/OR SPA LIGHT.



Most states and local codes regulate the construction, installation, and operation of public pools and spas, and the construction of residential pools and spas. It is important to comply with these codes, many of which directly regulate the installation and use of this product. Consult your local building and health codes for more information.



IMPORTANT NOTICE - Attention Installer: This Installation and User's Guide ("Guide") contains important information about the installation, operation and safe use of this underwater pool and spa light. This Guide should be given to the owner and/or operator of this equipment.



Before installing this product, read and follow all warning notices and instructions in this Guide. Failure to follow warnings and instructions can result in severe injury, death, or property damage. Call (800) 831-7133 for additional free copies of these instructions. Please refer to www.pentairpool.com for more information related to this products.



RISK OF ELECTRICAL SHOCK OR ELECTROCUTION: UNDERWATER POOL LIGHTS REQUIRE HIGH VOLTAGE WHICH CAN SHOCK, BURN, OR CAUSE DEATH.



Before working or servicing pool lights, always disconnect power to the pool and/or spa lights at the source circuit breaker. Failure to do so could result in death or serious injury to service person, pool users or others due to electric shock. When installing and using this electrical equipment, basic safety precautions should always be followed.

This underwater light must be installed by a licensed or certified electrician or a qualified pool professional in accordance with the current National Electrical Code (NEC), NFPA 70 or the Canadian Electrical Code (CEC), CSA C22.1. All applicable local installation codes and ordinances must also be adhered to. Improper installation will create an electrical hazard which could result in death or serious injury to installers or others due to electrical shock, and may also cause damage to power source. Always disconnect the power to the pool light at the circuit breaker before servicing the light. Failure to do so could result in serious injury to service person, due to electrical shock.



For countries in compliance with International Electrotechnical Commission (IEC) regulatory standards:

The light fixture must be installed by a licensed or certified electrician or a qualified pool service person, in accordance with current IEC 364-7-702 and all applicable local codes and ordinance. Improper installation will create an electrical hazard, which could result in serious injury to the installer or other due to electrical shock and may also cause damage to the property.

IMPORTANT WARNING AND SAFETY INSTRUCTIONS

INSTALLERS AND INSPECTORS

THE GLOBRITE® LED LIGHT AND PLASTIC NICHE FORM A COMPLETE NON-METALLIC LOW VOLTAGE LIGHTING SYSTEM. THIS CONFIGURATION DOES NOT REQUIRE BONDING OR GROUNDING WHEN POWERED BY A LISTED 100 WATT OR 300 WATT TRANSFORMER (LISTED ON PAGE 19) AND INSTALLED IN COMPLIANCE WITH THE CURRENT NATIONAL ELECTRIC CODE (NEC).

UNBONDED LIGHTING NEC PROVISIONS: When the UL listed non-metallic GloBrite LED Light low voltage lights are used with the GloBrite light approved niches (as listed on page 19), the current NEC provides an exception to luminaire bonding and grounding in Article 680.6 and 680.23

POOL WATER BONDING NEC PROVISIONS : For Pool Water Bonding required by NEC Article 680.26C, concrete pools are considered conductive (refer to 680.26 (b)(1) due to the porosity of concrete and the bonding of rebar. No additional bonding is required.

POOL AND SPA FIXED LUMINARIES: Follow these guidelines when installing or replacing Pentair Aquatic Systems Pool and Spa fixed luminaries:

FOR LIGHT OPERATION, ONLY USE A SAFETY ISOLATION TRANSFORMER.

Note: Connect both wires to the corresponding circuit wires in the Junction Box (black wire to power, and white wire to common) **FIXED POOL AND SPA**

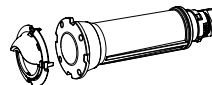
LUMINARIES SPECIFICATION: 12 VAC 50/60 Hz

IMPORTANT NOTICE: THE GLOBRITE COLOR LIGHT IS A NON-SERVICEABLE LIGHT. THE COMPLETE LIGHT ASSEMBLY MUST BE REPLACED.

GloBrite® Color Changing LED Pool Light Overview

This manual describes how to install and replace the GloBrite Color LED light for pool and spa. GloBrite Color LED lights provide brilliant vivid multi-colors with spectacular effects for your pool. Choose one of the seven pre-programmed color light shows or select one of the five fixed colors to create virtually endless range of dramatic underwater lighting effects for a spectacular effect in your pool and spa.

Accessory: The optional GloBrite Glare Shield (P/N 620314 - sold separately] is for use on GloBrite Color and White LED lights to reduce light glare.



Operating GloBrite Color LED Lights Using a Wall Switch

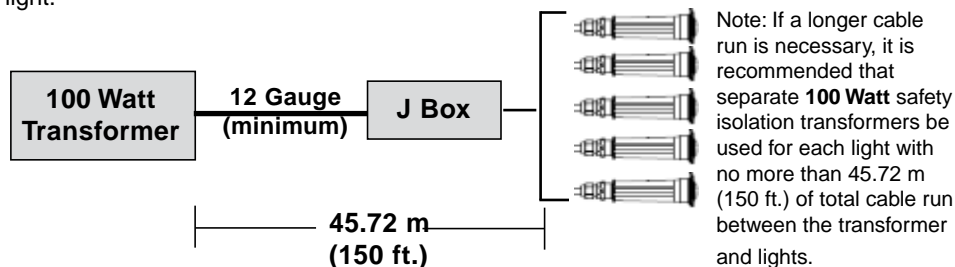
The GloBrite color light can be manually controlled using a standard wall-mount light switch. Multiple GloBrite color lights can be connected via a junction box and a 12 VAC isolation transformer to a single switch so that all lights can be switched on and off together. For wiring diagram, see page 15.

Operating GloBrite Color LED Lights Using Automation Control System

GloBrite color lights can also be automatically controlled using the Pentair IntelliTouch® Control System and the EasyTouch® Control System. For more information refer to the IntelliTouch Control System User's Guide (P/N 521075), and EasyTouch Control System User's Guide (P/N 521044).

Using an External Safety Isolation Transformer for Multiple 12 VAC GloBrite Color Lights

When using multiple GloBrite 12 VAC color lights on a **100 Watt** safety isolation transformer, it is recommended that no more than three (3) GloBrite color lights be used. For long cable lengths with a single light, It is recommended not to exceed 45.72 m (150 ft.) of total cable run between the 12 VAC isolation transformer and the GloBrite color light.



Maximum Wattage Using Multiple Color LED lights (with a 300 Watt Isolation Transformer)

IMPORTANT! When using multiple 12 VAC Pentair LED pool and spa lights the total allowable light wattage is 300 Watts maximum. The individual light wattage is as follows:

- One GloBrite Color LED Pool light is 15 Watts maximum
- One GloBrite White LED Pool light is 15 Watts maximum
- One AmerBrite White LED (500W) pool light is 51 Watts maximum
- One AmerBrite White LED (400W) pool light is 44 Watts maximum
- One AmerBrite White LED (300W) pool light is 36 Watts maximum
- One AmerBrite Color LED pool light is 36 Watts maximum
- One IntelliBrite Color LED pool light is 30 Watts maximum
- One IntelliBrite Color LED spa light is 18 Watts maximum

Operating GloBrite® Color Lights Using a Wall Switch

GloBrite Color Lights can be controlled using a standard wall-mount light switch or by the IntelliBrite® Controller (see page 3). Multiple GloBrite color lights can be connected via a junction box and a 12 VAC transformer to a single switch so that all lights can be switched on and off together. GloBrite color lights are controlled by cycling AC power to the 12 VAC transformer from a standard wall switch. By turning the switch on and off a specific number of times, the light activates one of the seven light show modes, fixed colors, or enables the “Hold” and “Recall” feature.

Powering on the GloBrite Color LED Lights

When the GloBrite color light is powered on, the previously selected color is displayed, unless the HOLD or RECALL feature was previously enabled.

Note: If power to the light is off for more than five (5) seconds, the last color show mode or fixed color that was saved will be displayed.

Selecting a GloBrite Color Light Show Mode or Fixed Color using a Wall Switch

GloBrite color lights are compatible with IntelliBrite color light colors and shows and can be synchronized with IntelliBrite color lights.

First switch power on to the light. A white light will momentarily illuminate, followed by the previously selected color. To select a color show mode (1-7) or fixed color (8-12), turn the wall switch off/on a specific number of times. Each number (1-12) shown below corresponds to the number of times to power-cycle the switch to activate a color light show or fixed color. For details about saving color effects while in “show” modes, see “Hold” and “Recall” feature on page 3.

- | | | |
|---------------------------------------|-----------|---|
| Number of times to cycle power (1-14) | 1 | SAM Mode: Cycles through white, magenta, blue and green colors (emulates the Pentair SAM® color changing light). |
| | 2 | Party Mode: Rapid color changing building energy and excitement. |
| | 3 | Romance Mode: Slow color transitions creating a mesmerizing and calming effect. |
| | 4 | Caribbean Mode: Transitions between a variety of blues and greens. |
| | 5 | American Mode: Patriotic red, white and blue transition. |
| | 6 | California Sunset Mode: Dramatic transitions of orange, red and magenta tones. |
| | 7 | Royal Mode: Richer, deeper color tones. |
| | 8 | Blue: Fixed color. |
| | 9 | Green: Fixed color. |
| | 10 | Red: Fixed color. |
| | 11 | White: Fixed color. |
| | 12 | Magenta: Fixed color. |
| | 13 | Hold: Save the current color effect during a color light show. |
| | 14 | Recall: Activate the last saved color effect. |

Example: To select **California Sunset Mode**; turn the switch off and on six (6) successive times. During the off/on switching process, no illumination will occur, then a white light will momentarily illuminate.



During the off/on switching process, before the selected color is displayed, no illumination will occur. This operating mode is normal during the switching process. During this period the pool and spa will be dark and precautions should be taken to avoid unforeseen accidents. Failure to observe this warning may result in serious injury or death to pool and spa users.

Saving a Color Mode or Fixed Color

When power is switched off to the GloBrite® Color Lights, the last color show mode or fixed color will be saved. The next time the light is powered on, the previously saved color show mode or fixed color will be displayed. For example, while in “Party Mode” switch the light off. Wait more than 10 seconds, switch the light back on to resume “Party Mode.”

Selecting a GloBrite Light Color and Show Modes or Fixed Color Using an IntelliBrite® Controller

Instead of using a wall switch, GloBrite color lights can be controlled with the IntelliBrite Controller

(p/n 600054, sold separately). The IntelliBrite® Controller provides complete control of your GloBrite color lights. It's easy to select a lighting feature, just dial in any one of the pre-programmed color light shows or fixed colors. Using the Hold and Recall buttons you can also create endless unique lighting effects. The IntelliBrite Controller can be connected to individual or multiple 12 VAC transformers to control GloBrite color lights. The IntelliBrite Controller can also control multiple GloBrite and IntelliBrite lights.



Note: For IntelliBrite controller wiring instructions, see page 18.

Using the IntelliBrite® Color Light Controller: GloBrite color lights are compatible with IntelliBrite colors and shows and can be synchronized with IntelliBrite color lights and landscape lights. To select a color light show mode or fixed color mode, rotate the dial so that it points to the desired selection. The color mode selections start in a clockwise direction from the 9 o'clock position.

Hold and Recall Feature

Hold button/LED: Press this button (LED on) to capture and save a color effect while displaying one of the light show modes. When the button is pressed, the LED will be on, indicating that the color effect is captured.

Recall Button/LED: Use this button (LED on) to activate the last saved color effect. When the button is pressed, the LED will be on, indicating that the color effect is being displayed.

GLOBRITE® LIGHT FIXTURE INSTALLATION (NEW POOL CONSTRUCTION - USA)

The following describes how to install the GloBrite Color Light fixture.

BEFORE STARTING: The following information describes the tasks that must be completed by the electrician *before* the light fixture is installed. See Figure 1 on page 7.

WARNING

Be sure that the pool or spa meets the requirements of the current National Electrical Code (N.E.C.) Article 680-22 and all local codes and ordinances. A licensed or certified electrician must install the electrical system to meet or exceed those requirements before the underwater light is installed. Some of the requirements of the National Electrical Code which the pool's electrical system must meet are as follows:

- The Junction Box and the low voltage transformer is located at least 4 (four) inches (10.16 cm) above ground level or eight (8) inches (20.3 cm) above maximum water level, whichever is higher. The Junction Box must be at least 48 inches (1.22 m) from the edge of the pool. See Figure 2 on page 8.
- The GloBrite light niche must be properly installed so that the top edge of the lens of the GloBrite light is at least 4 inches below (not more than 48 inches below in Canada) the surface of the water in the pool or spa. See Figure 2 on page 8.
- To be certain that the pool or spa electrical system meets all applicable requirements, the electrician should also consult the local building department.

GLOBRITE® LIGHT FIXTURE INSTALLATION (NEW POOL CONSTRUCTION - CANADA)

⚠ WARNING

Be sure the electrical system of your pool conforms with the following requirements of the Canadian Electrical Code (CE), and all local codes and ordinances. A licensed or certified electrician must install the electrical system to meet or exceed those requirements before the light and (fixture-housing) is installed. Some of the CE requirements are listed below.

- The junction/deck box must be sealed to the conduit to prevent water from getting into the box, see Figure 1, below.
- The niche must be properly installed so the center line of the Underwater Light's lens is at a maximum depth of 600 mm below the surface of the water in the pool, see Figure 2 on page 8.

The following information is for the Junction Box and pool deck location for Canada only. Junction/Deck boxes shall be installed:

- (a) above the normal water level of the pool;
- (b) so that the top of the box is located at or above the finished level of the pool deck;
- (c) in such a manner or location that the box will not be an obstacle; and
- (d) in such a manner that any water on the deck will drain away from the box
(See diagram below).

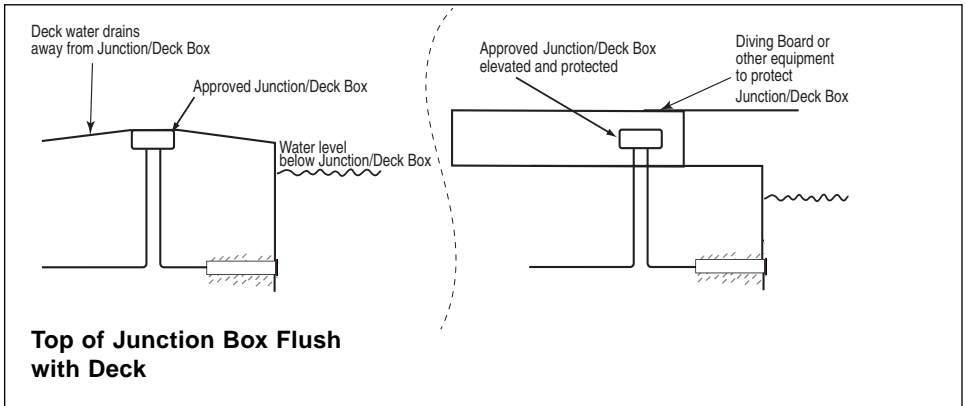
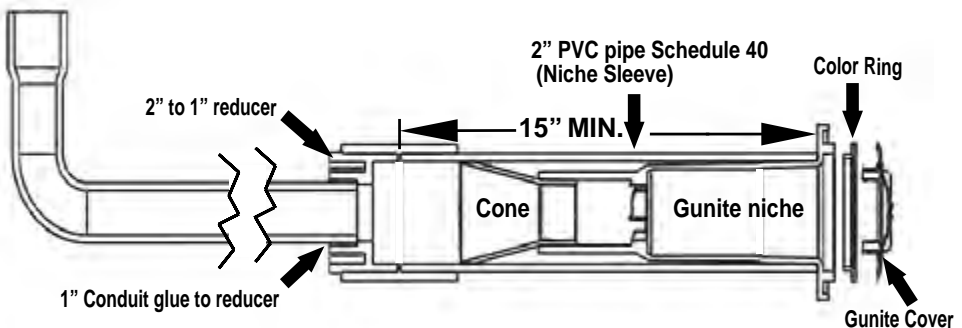


Figure 1, Canada.

Installing GloBrite® Light Sleeve and Niche in a Concrete/Gunite Pool - Option 1 and Option 2 (see page 7)

Option 1: Niche Sleeve with Cone (Cone is used for applications where the niche is installed after the conduit has been connected to the 2" sleeve)

- Install Sleeve:** Locate position on vertical pool or spa wall where light is to be installed. The top of the light lens must be a minimum of 10.2 cm (4 in) inches below normal water level. Refer to Figure 2 on page 8 for the exact depth requirements.
- Install a 5 cm (2 in) PVC pipe Schedule 40, 38.1 cm (15 in.) long in the desired location of the light niche sleeve.
- Allow at least 2.5 cm (1 in) of the niche sleeve 5 cm (2 in) PVC pipe to extend out on both sides of the wall during your gunite operation. Cut any excess off the pipe so that it is flush against the wall before plastering.
- Glue a 5 cm (2 in) x 2.54 cm (1 in) reducer bushing to the back side of the niche sleeve.
- Glue the 2.45 cm (1 in) conduit into the reducer as shown below in "Option 1 Installation Diagram". Make sure the 5 cm (2 in) PVC pipe Schedule 40 accommodates for the total length of niche/cone and reducer assembly.
- Glue the cone into gunite niche (the cone is used to guide the fish tape from the junction box into the niche).
- Apply PVC cement to the inside of the sleeve. Slide the gunite niche into the sleeve until it is flush with the gunite wall.
- Install the desired color ring to the front of the niche.
Note: If required by local codes, install the light into niche as described on page 9.
- Using the niche cover to seal the front of the niche, snap on the gunite cover over the front of the niche. This will protect the light cooling cavity of the niche during plastering. Note: If a gunite cover is not available, use masking tape to protect lens and cooling cavity from plaster operation.
- Apply gunite plaster to pool wall up to the outer edge of the gunite cover. The gunite cover should be the only exposed part of the niche after plastering.
- After the plastering has been completed, remove and dispose of the gunite cover.

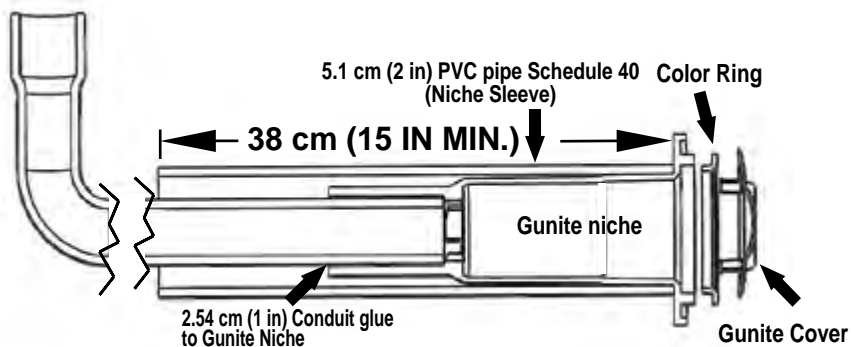


Option 1: Niche Sleeve with Cone - Installation Diagram

Option 2: Install Conduit to Light Niche

To install the conduit onto the GloBrite® Color Light niche:

1. **Install Sleeve:** Locate position on vertical pool or spa wall where light is to be installed. The top of the light lens must be a minimum of 10.2 cm (4 in) inches below normal water level. Refer to Figure 2 on page 8 for the exact depth requirements.
2. Install a 5 cm (2 in) PVC pipe Schedule 40, 38.1 cm (15 in.) long in the desired location of the light niche sleeve.
3. Allow at least 2.5 cm (1 in) of the niche sleeve 5 cm (2 in) PVC pipe to extend out on both sides of the wall during your gunite operation. Cut any excess off the pipe so that it is flush against the wall before plastering.
4. Pull the fish tape and the light power cord through the 2.5 cm (1 in) conduit and the 5 cm (2 in) PVC sleeve schedule 40.
5. Glue the 2.5 cm (1 in) conduit into the back of the conduit shown below in "Option 2 Installation Diagram".
6. Glue the cone into gunite niche (the cone is used to guide the fish tape from the junction box into the niche).
7. Apply PVC cement to the inside of the sleeve. Slide the gunite niche into the sleeve until it is flush with the gunite wall.
8. Install the desired color ring to the front of the niche.
Note: If required by local codes, install the light into niche as described on page 9.
9. Using the niche cover to seal the front of the niche, snap on the gunite cover over the front of the niche. This will protect the light cooling cavity of the niche during plastering. Note: If a gunite cover is not available, use masking tape to protect lens and cooling cavity from plaster operation.
10. Apply gunite plaster to pool wall up to the outer edge of the gunite cover. The gunite cover should be the only exposed part of the niche after plastering.
11. After the plastering has been completed, remove and dispose of the gunite cover.



Option 2: Conduit to Light - Installation Diagram

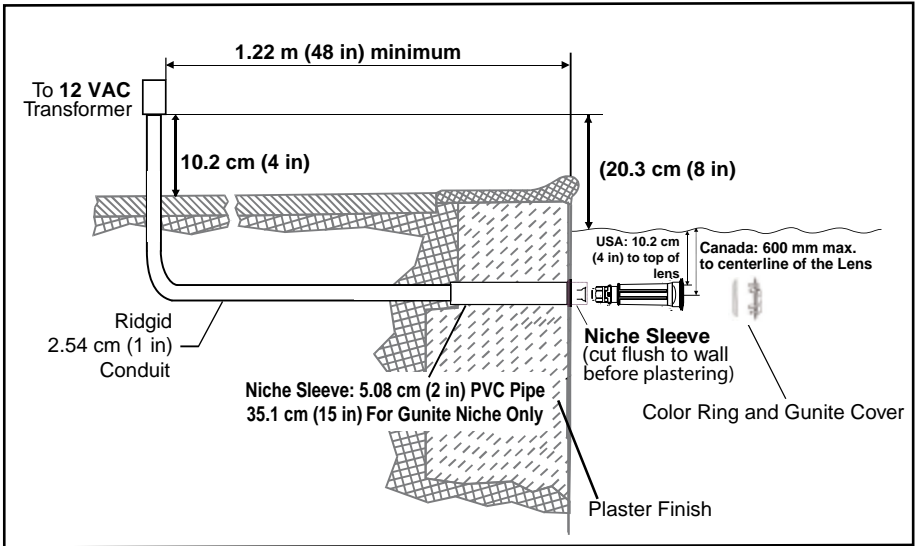
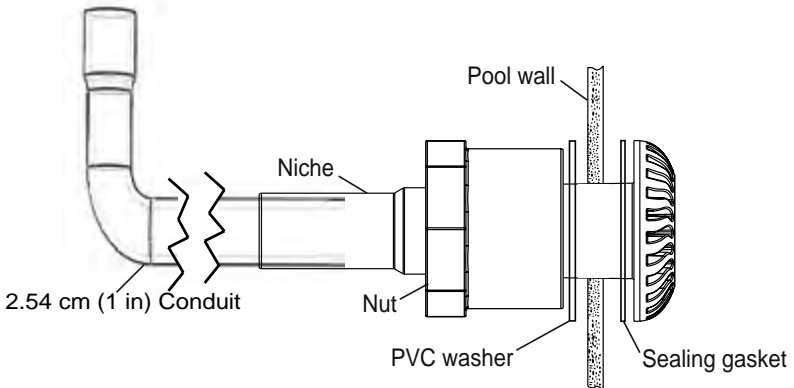


Figure 2: Gunite Light Installation Diagram

Installing GloBrite® Color Light Niche in a Fiberglass Pool

To install the GloBrite color light niche in a fiberglass pool:

1. Drill or punch a 5 cm (2 in) hole in the desired location for the GloBrite light niche.
2. Place the sealing gasket on the niche as shown below.
3. Insert the niche through the 5 cm (2 in) hole in the pool wall.
4. Install the PVC washer to the back of the niche.
5. Install the plastic nut onto the back of the niche. Hand tighten the nut to secure the niche in place.
6. Glue the 2.5 cm (1 in) conduit into back of niche.

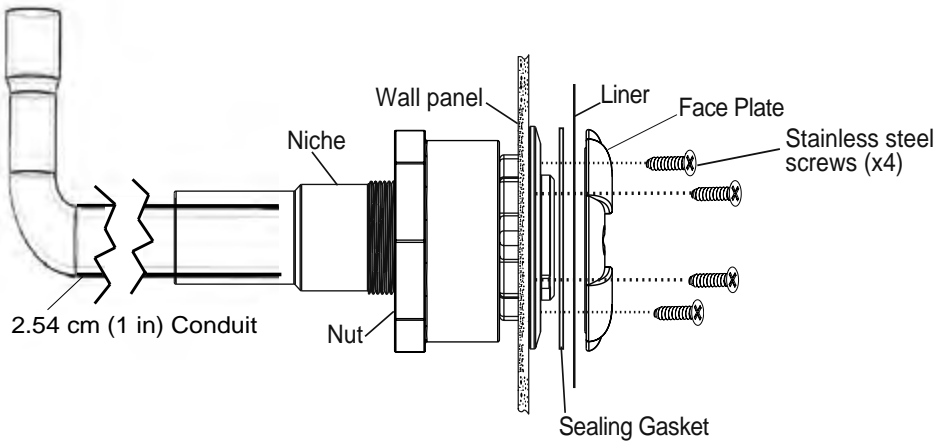


GloBrite Color Light Niche (Fiberglass pool) Installation Diagram

Installing GloBrite® Color Light Niche in a Vinyl Pool

To install the GloBrite color light niche in a vinyl liner pool:

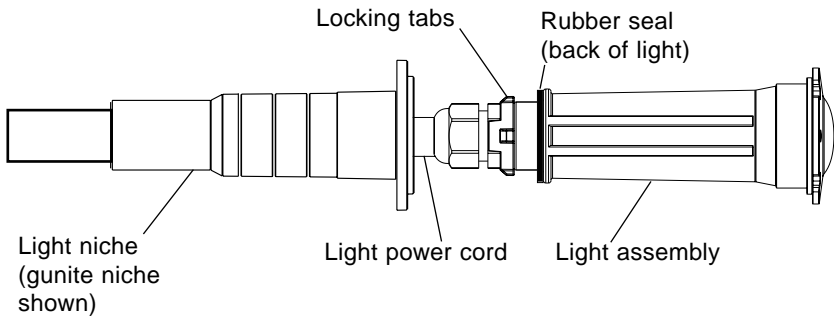
1. Drill a 7.62 cm (3 in) hole in the desired location for the light vinyl niche.
2. From the inside of the pool, insert the vinyl niche through the 7.62 cm (3 in) hole.
3. Install the plastic nut onto the back of the niche. Hand tighten the nut to secure the niche in place.
4. Place the sealing gasket onto the front of the niche as shown below.
5. Install the vinyl liner.
6. Install the conduit. See Figure 2 on page 8.
7. Using the alignment tabs on the niche, carefully align the faceplate to the niche. Once the faceplate is properly aligned, pierce liner through faceplate and install the screws one at a time.
8. Using a No. 2 Phillips head screwdriver, hand tighten each retaining screw to secure the cover. **DO NOT OVER TIGHTEN THE SCREWS. DO NOT USE A POWER TOOL TO SECURE THE SCREWS.** Over tightening or using a motorized screwdriver on the sealing ring screws can over torque the screw threads and damage the niche housing and/or vinyl liner seal.



INSTALLING THE GLOBRITE® WHITE LIGHT ASSEMBLY (AFTER NICHE INSTALLATION)

To install the GloBrite color light into the gunite, fiberglass or vinyl niche:

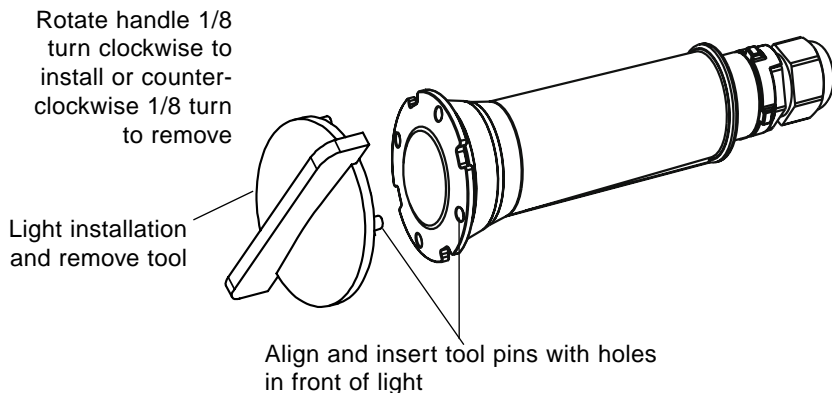
1. Route the GloBrite light power cord through the front of the niche, to the location of the 12 VAC pool transformer or junction box.
2. At the 12 VAC transformer or junction box, cut off any extra cord. Leave at least 15.2 cm (6 in) of cord in the Junction Box or transformer to facilitate the light installation, niche inspection. Cut off any extra cord. See Figure 2 on page 8. For junction box installation for Canada, see Figure 1 on page 5.
3. Strip back the outer cord jacket of the wires to expose the two (2) insulated conductors. Strip back the two conductors. Be careful not to damage the copper conductor.
4. Connect the two (2) conductors to the corresponding circuit wires in the Junction Box (black wire to power, white wire to common). Secure the Junction Box cover.
5. **Install the new GloBrite light assembly:** Push the light into the niche while pulling the power cord from the junction box or transformer, making sure the locking tabs in the back end of the light are properly aligned with the niche openings (inside the niche).



GloBrite Niche and Light

- Place the light installation tool (P/N 620057) over the front of the light. Turn the tool and light clockwise (less than an .3175 cm (1/8th. turn), while pushing inward, until you feel the stop point. This indicates the light is properly seated, locked and the niche is completely sealed.

Note: *If the light does not turn smoothly, pull the light slightly out and make sure that it's seated properly and the niche is free of debris, then install the light as described in step 6.*



GloBrite® Color Light Installation/Removal Tool

- Before operating the GloBrite color light, fill the pool with water until the light is completely submerged.

Note: *The GloBrite color light should not be powered for more than 30 seconds if is not submersed in water.*

- Final check for proper GloBrite light operation:** Switch on the main switch or circuit breaker to the 12 VAC transformer and the switch that operates the GloBrite light itself. The light should illuminate when the 12 VAC power is applied. If not recheck the installation steps.

REPLACING THE GLOBRITE® LIGHT ASSEMBLY (IN AN EXISTING POOL OR SPA)

⚠ DANGER



Risk of Electrical Shock or Electrocution!

This underwater light must be installed by a licensed or certified electrician or a qualified pool professional in accordance with the current National Electrical Code (NEC), NFPA 70 or the Canadian Electrical Code (CEC), CSA C22.1 and all applicable local codes and ordinances. Improper installation will create an electrical hazard which could result in death or serious injury to pool users, installers or others due to electrical shock, and may also cause damage to property.

Always disconnect the power to the pool light at the circuit breaker before servicing the light. Failure to do so could result in death or serious injury to service person, pool users or others due to electrical shock.

IMPORTANT NOTICE: THE GLOBRITE LED LIGHT IS A NON-SERVICEABLE LIGHT. THE COMPLETE LIGHT ASSEMBLY MUST BE REPLACED.

⚠ WARNING

Verify that the pool and spa meets the requirements of the current National Electrical Code and all local codes and ordinances. A licensed or certified electrician must install the electrical system to meet or exceed those requirements before the underwater light is installed. Some of the requirements of the National Electrical Code which the pool's electrical system must meet are as follows:

- The Junction Box and the low voltage transformer is located at least 4 (four) inches (10.16 cm) above ground level or eight (8) inches (20.3 cm) above maximum water level, whichever is higher. The Junction Box must be at least 48 inches (1.22 m) from the edge of the pool. See Figure 2 on page 8.
- The GloBrite light niche must be properly installed so that the top edge of the lens of the GloBrite light is at least 4 inches below (not more than 48 inches below in Canada) the surface of the water in the pool or spa. See Figure 2 on page 8.
- To be certain that the pool or spa electrical system meets all applicable requirements, the electrician should also consult the local building department.

**IMPORTANT NOTICE:
THE GLOBRITE® LIGHT IS A NON-SERVICEABLE LIGHT. THE
COMPLETE LIGHT ASSEMBLY MUST BE REPLACED.**

The following removal and installation instructions describe how to remove and install the GloBrite color light assembly.

IMPORTANT NOTICE: THE GLOBRITE LED LIGHT IS A NON-SERVICEABLE LIGHT. THE COMPLETE LIGHT ASSEMBLY MUST BE REPLACED.

⚠ WARNING

Failure to bring the pool or spa's electrical system up to code requirements before installing the underwater light will create an electrical hazard which could result in death or serious injury to pool users, installers, or others due to electrical shock, and may also cause damage to property.

1. **Switch off electrical switch or circuit breaker at the source,**
2. Remove Junction Box or Transformer cover. Disconnect the light wires and attach a fish tape to the existing light power cord. *This will assist in pulling the replacement light power cord through the conduit back to the junction box.*
3. **Remove the GloBrite color light assembly from the pool or spa water:** Using the provided installation tool (P/N 620057), rotate the light assembly counter-clockwise about a 1/8th turn to release the light from the niche as shown on page 11).
4. Slowly pull the light and attached power cord (with attached fish tape) out of the niche. Pull the light's power cord and fish tape out of the niche and place the light on the deck.
5. Attach the new light power cord to the fish tape and carefully feed the fish tape and cable to the junction box.
6. **Install the light into the niche:** Place the light installation tool over the front of the light. Turn the tool and light clockwise while pushing inward, until you feel the stop point. This indicates the light is properly seated, locked and the electrical conduit, is completely sealed (see page 11).
Note: If the light does not turn smoothly, pull the light slightly out and be sure that it's seated properly and the niche is free of debris, then install the light as described in step 5.
7. Connect the two (2) conductors to the corresponding circuit wires in the Junction Box (black wire to power, white wire to common) and secure the Junction Box cover in place.
8. **Final check for proper GloBrite Color light operation:** Switch on the main switch or circuit breaker to the 12 VAC transformer and the switch that operates the light itself. The light should illuminate when 12 VAC power is applied. If not recheck the installation steps.

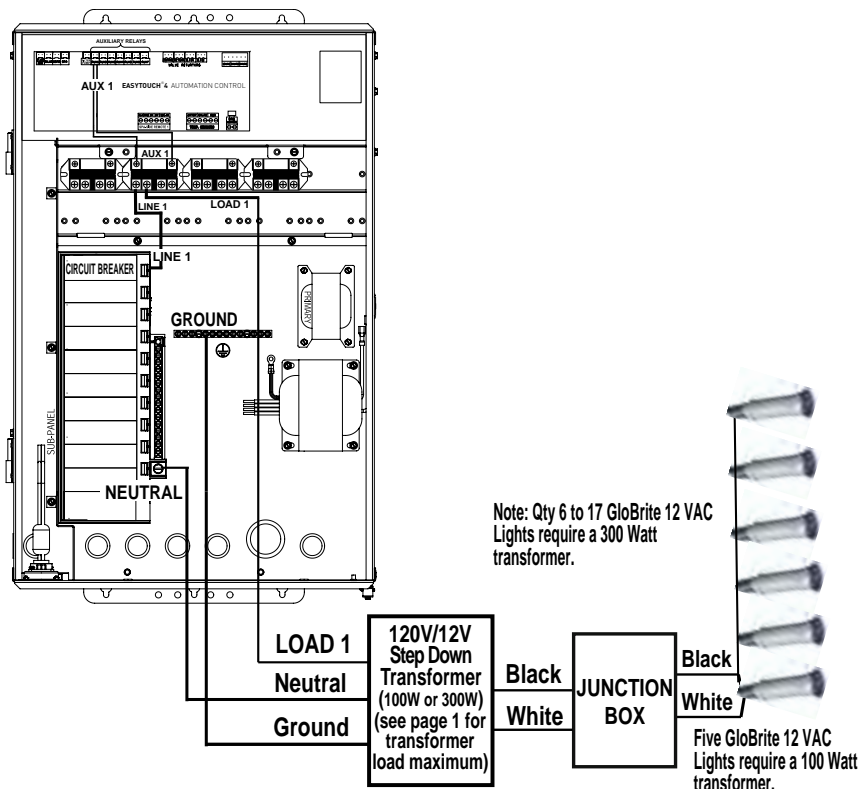
CONNECTING GLOBRITE® LIGHTS TO EASYTOUCH® OR INTELLITOUCH® CONTROL SYSTEM LOAD CENTER TO AN AUXILIARY RELAY

**DANGER**

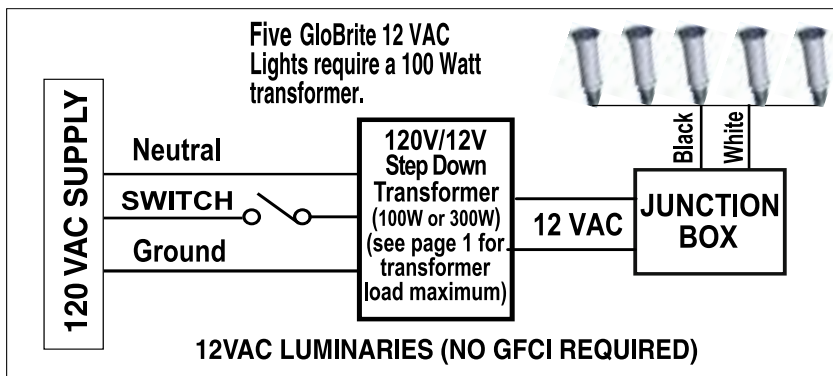
RISK OF ELECTRICAL SHOCK OR ELECTROCUTION

Always disconnect AC power to EasyTouch and IntelliTouch control system load center at the circuit breaker before servicing, or removing the **HIGH VOLTAGE FRONT PANEL**. Failure to do so could result in death or serious injury to installer, service person, pool users, or others due to electrical shock.

1. **EasyTouch or IntelliTouch Control System Load Center:** Unlatch the enclosure door spring latch, and open the door.
2. **Discharge Electrostatic energy before removing the cover by first touching the metal part of the enclosure.**
3. Loosen the two (2) retaining screws from the HIGH VOLTAGE FRONT PANEL. Remove the panel from the enclosure.
4. Run the GloBrite color light power cord to a auxiliary relay in the EasyTouch/IntelliTouch load center.
5. Connect the 120 Volt side of a 12 VAC transformer to the LOAD SIDE of one of the auxiliary (AUX) relays in the load center.
6. Connect the Neutral conductor from the 12 VAC transformer to the Neutral bus bar in the load center.
7. After the connection has been completed, close the control panel and secure it with the two (2) retaining screws.
8. Close the load center front door. Fasten the spring latch.



EasyTouch® and IntelliTouch® Control System Load Center Wiring Diagram



GloBrite® Color Light with Wall Switch Wiring Diagram

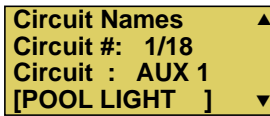
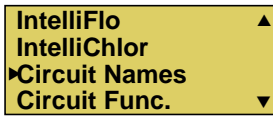
SETTING UP GLOBRITE® WHITE LIGHTS WITH EASYTOUCH® AND INTELLITOUCH® CONTROL SYSTEM

EasyTouch® Control System

The following describes how to setup the GloBrite Color Light from the EasyTouch® control system indoor control panel or the EasyTouch control system wireless control panel. From the EasyTouch control panel you can control the light shows.

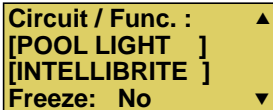
To set up a GloBrite light circuit; assign the “Light Circuit Name” to the relay circuit (example; AUX 3, as “Pool Light”) and “Function”: assign the name “Pool Light” circuit in the Circuit Func. menu as a “light” circuit (IntelliBrite). After assigning the circuit name and function, the light circuit name “Pool Light” can be setup in the CONFIG menu for light position, color etc.

To assign a Circuit Name go to: MENU > SETTINGS > CIRCUIT NAMES



1. Press the **Up/Down button** to select a circuit number 1/18. Press the Up button two times to select **AUX 1** to choose this circuit for a light circuit On/Off button. The circuit number (1/18) corresponds to its assigned circuit name.
2. Press the **Up/Down button** to scroll through the list of preset names. Select a name such as “Pool Light.” AUX 1 has now been assigned the circuit name “Pool Light.”

To assign a Circuit Function go to: MENU > SETTINGS > CIRCUIT FUNC.



3. Press the Menu button to return to the Settings menu. Press the Down button to and select “Circuit Func.” Press the Right button to access the Circuit Func. menu.
4. Press the **Up/Down button** to select the already assigned circuit name “Pool Light.”
5. Press the **Right button** to view “Circuit Functions” to assign to light circuit “Pool Light.”
6. Press the **Up/Down button** to select the type of light circuit function to use. Select “INTELLIBRITE” for the GloBrite light circuit function.
7. Press the Menu button three times to return to the main screen.

Operating the GloBrite lights: The GloBrite color light is ready to operate using the EasyTouch control panel button 1 (auxiliary 1 circuit). To access the Lights menu screen (*special Light Features*), press **Menu > Lights**. The Lights menu settings are: MODES, COLORS, ALL ON, ALL OFF, SYNC, MAGICSTREAM, CONFIG: From the Modes screen you can control the color light shows. To access the Modes menu, press Menu > Lights > Modes. See page 2 for GloBrite color light shows.

IntelliTouch® Control System

The following describes how to setup the GloBrite® Color Light from the IntelliTouch® control system control panel. From the IntelliTouch® control system control panel you can control the light shows. To access the GloBrite light screens, from the IntelliTouch indoor control panel or the MobileTouch® Wireless Remote control panel.

Assigning a Circuit Name

To identify the GloBrite light connected to the auxiliary circuits (AUX 1, AUX 2) in the IntelliTouch load center, you need to assign the GloBrite light circuit name to the corresponding auxiliary circuits in the IntelliTouch indoor control panel. Choose a circuit name from the preset list of names for the GloBrite light connected to the auxiliary relay installed in the IntelliTouch load center.

Assigning a Circuit Name for the GloBrite Light: To assign a Circuit Name for the GloBrite light, go to: **MENU > SETUP > ADVANCED > CIRCUIT NAMES > ASSIGN CIRCUIT NAMES > DISPLAY.**

Selecting DISPLAY Screen 1, 2, 3, or 4: The auxiliary circuits that control the pool and spa equipment can be accessed from the “Display” screen on the Indoor Control Panel or MobileTouch wireless control panel. Selecting the button next to Display 1, 2, 3, or 4 displays the screen with circuits belonging to that particular expansion Load Center or Power Center. “Feature Circuits” can also be assigned from this screen.

To assign circuit names for a specific display screen:

Display #1 - This screen shows circuit names for the filter pump, pool and spa modes, and all high voltage auxiliary circuits connected to the main Load Center or Power Center. **Display #2** - This screen shows circuit names for the additional auxiliary

circuits connected to the first expansion center (Load Center or Power Center).

Display #3 - This screen shows circuit names for the additional auxiliary circuits connected to the second expansion center (Load Center or Power Center)

Display #4 - This screen shows circuit names for the additional auxiliary circuits connected to the third expansion center (Load Center or Power Center).

To assign a GloBrite light circuit name for the MAIN SCREEN:

1. Select the button next to Display #1. These are the circuit names that will be displayed on the Main Screen. Note: If there is an expansion Load Center or Power Center installed, select the appropriate Display #2, #3, or #4 associated with that expansion Load Center or Power Center.
2. From the Main Display screen, press the button next to AUX 1. A small arrow pointing to AUX 1 is displayed.
3. Use the Up and Down buttons at the bottom of the screen to scroll through the alphabetical list of preset equipment names. Choose the equipment name that matches the label name for button number 1 on the Load Center Outdoor Control Panel.
4. Continue to name other auxiliary circuits (AUX2, AUX3, etc.): After selecting the equipment name you want to use for AUX 1, press the button next to the AUX 2 and choose a circuit name. The small arrow indicates which circuit is selected for naming.
5. Repeat the process to assign the other equipment to circuits on this screen.
6. When you have finished assigning equipment circuit names, press the Save button. Press the Exit button to return to the Main screen.
7. **CONTINUE TO NEXT PAGE to set up the GloBrite “Function Circuit.”**

Set up a GloBrite® Color Light Circuit Function

To setup an AUX circuit to control the GloBrite color light, assign the circuit light function an auxiliary relay circuit (AUX 1), then assign the circuit name for that light circuit. The light circuit name will appear on the main screen. Each GloBrite light must also be assigned a circuit function.

To assign a Circuit Name for the GloBrite light, go to: MENU > SETUP > ADVANCED > CIRCUIT FUNCTIONS

Setup a GloBrite light function circuit: Assign each light auxiliary relay circuit a circuit name, then assign that light relay circuit in the “CIRCUIT FUNCTIONS” section, as “INTELLIBRITE.”

To setup the GloBrite light circuit function (use the “IntelliBrite” circuit name):

1. Press the button next to the AUX button (the relay auxiliary circuit connected to the GloBrite (IntelliBrite) light).
2. Press the right or left side (PREV/NEXT) button next to “INTELLIBRITE.” Scroll through the circuit functions until “INTELLIBRITE” is displayed.
3. Press the SAVE button on the bottom of the screen. Press the EXIT button to return to the main screen.

Assign the GloBrite light circuit to the Lights screen:

4. Press the Lights button on the bottom of the screen.
5. Press the right side button next to “CONFIGURE.”
6. Press the button next to “NONE” to assign an IntelliBrite light circuit to the selected button. Light names can be setup to display on the left side for “Spa” features and on the right side for the “Pool” features.
7. Press the top left or right side button to scroll through the available light circuits which can be used for the GloBrite (IntelliBrite) lighting features. Select at the circuit name you wish to use. The displayed circuit names are circuit names that were previously assigned when assigning a circuit function.

Operating and Selecting GloBrite (IntelliBrite® Color Light) Color Modes

From the “Modes” screen you can select various preset show color lighting effects, such as “American mode” and “Sunset mode,” and Pentair SAM® Color Changing Light (an emulation of the SAM color scheme). Using the “Hold” and “Recall” feature you can also capture and save a unique color effect to recall at a later time.

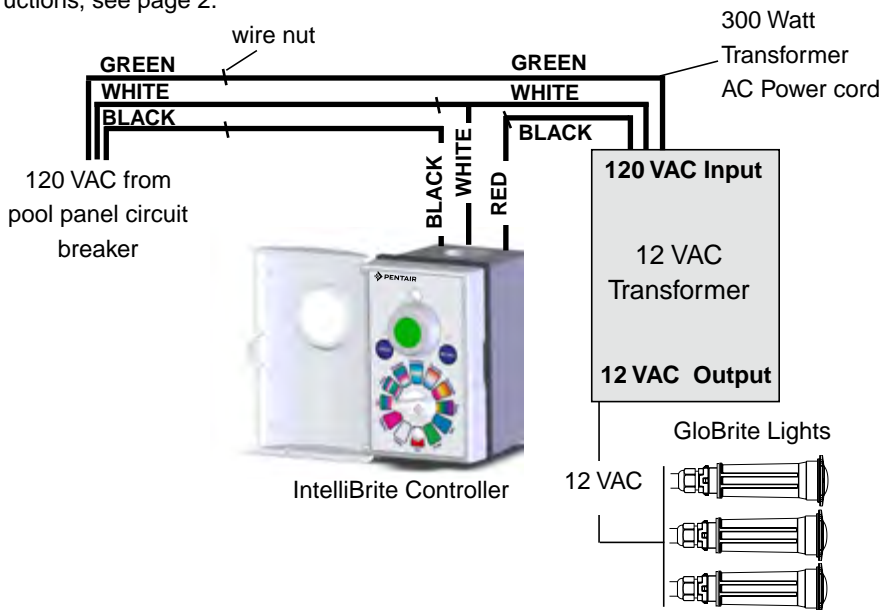
Modes screen

To access the IntelliBrite® Color Light color show “Modes” features from the Lights screen, press the Lights button on the bottom of the screen, then press the left side button next to “MODES.”

Special Light Features: Up to twelve (12) IntelliBrite light circuits can be displayed on the main Lights screen (special light features). From the Lights screen you can activate the IntelliBrite lighting features (i.e., color swim, color set). Assuming each GloBrite (IntelliBrite) light has its own relay and separate circuit.

Wiring GloBrite® Color Lights to IntelliBrite® Controller and 300 Watt Transformer

The following diagram shows how to connect GloBrite® color light to an IntelliBrite Controller using a 300 Watt transformer. Note: For GloBrite light operating instructions, see page 2.



Troubleshooting (GloBrite Lights)

Both of the LEDs are flashing: Check the light wiring connection to the junction box at the pool side and to the AC power switch.

Light does not function properly: Be sure that there is proper AC power applied to the light.

Troubleshooting (IntelliBrite Controller)

Both of the LEDs are flashing: The IntelliBrite Controller has detected that the load has exceeded the maximum allowable wattage or the output is shorted out

1. Switch off the IntelliBrite Controller OFF. Remove excessive load or short.
2. Press the IntelliBrite Controller power switch to power on the unit. Verify the LEDs are no longer flashing.

GloBrite® Color Lights Parts List and Replacement Kits

GloBrite Lights

Part No.	Description
602053	GloBrite 12 VAC 30' cord
602054	GloBrite 12 VAC 50' cord
602055	GloBrite 12 VAC 100' cord
602056	GloBrite 12 VAC 150' cord

GloBrite Bundles

Part No.	Description
619993	Gunite Combo #1- 1 GloBrite 100' w/300W transformer & Gunite niche
619994	Gunite Combo #2 - 2 GloBrite 100' w/300W transformer & 2 Gunite niches
620051	Fiberglass combo #1- 1 GloBrite 100' w/300W txfmr & Fiberglass niche
620052	Fiberglass combo #2 - 2 GloBrite 100' w/300W txfmr & 2 Fiberglass niches
620080	Vinyl combo #1- 1 GloBrite 100' w/300W txfmr and vinyl niche
620081	Vinyl combo #2 - 2 GloBrite 100' w/300W txfmr and two vinyl niches

GloBrite Light Niches

Part No.	Description
620039	Vinyl Niche for GloBrite
620040	Gunite Niche for GloBrite
620041	Fiberglass Niche for GloBrite
620093	Fiberglass Niche for GloBrite (Blue)
620094	Fiberglass Niche for GloBrite (Gray)

GloBrite Light Replacement Kits

Part No.	Description
620055	Fiberglass (Washer and Gasket)
620056	Color Ring (Color Ring and Plaster Cover)
620057	O-Ring (O-Ring, Insertion Tool)
620058	Nut (Fiberglass/Vinyl Nut)
620314	Glare Shield
602136	Vinyl Blue, Gaskets (3), Front Face Plate (Blue), Screws (12)
602137	Vinyl Gray, Gaskets (3), Front Face Plate (Gray), Screws (12)
602138	Vinyl White, Gaskets (3), Front Face Plate (White), Screws (12)

Notes

Notes



1620 HAWKINS AVE., SANFORD, NC 27330 • (919) 566-8000
10951 WEST LOS ANGELES AVE., MOORPARK, CA 93021 • (805) 553-5000

WWW.PENTAIR.COM

All Pentair trademarks and logos are owned by Pentair. GloBrite®, IntelliFlo®, IntelliBrite®, EasyTouch®, IntelliTouch®, SunTouch®, IntelliChlor®, MobileTouch® and SAM® are trademarks and/or registered trademarks of Pentair Water Pool and Spa, Inc. and/or its affiliated companies in the United States and/ or other countries. Unless expressly noted, names and brands of third parties that may be used in this document are not used to indicate an affiliation or endorsement between the owners of these names and brands and Pentair Water Pool and Spa, Inc. Those names and brands may be the trademarks or registered trademarks of those third parties. Because we are continuously improving our products and services, Pentair reserves the right to change specifications without prior notice. Pentair is an equal opportunity employer.

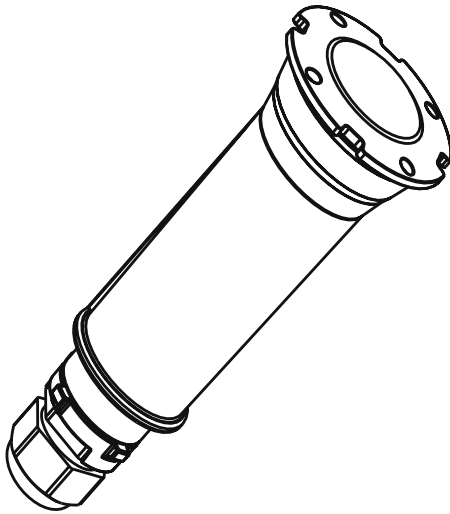
© 2020 Pentair Water Pool and Spa, Inc. All rights reserved.
This document is subject to change without notice.



P/N 17302 REV D 1/2020



LÁMPARA LED SUMERGIBLE
MULTICOLOR GLOBRITE®
PARA PISCINAS Y SPA



GUÍA DE INSTALACIÓN
Y DE USUARIO

INSTRUCCIONES DE SEGURIDAD IMPORTANTES
LEA Y SIGA TODAS LAS INSTRUCCIONES
GUARDE ESTAS INSTRUCCIONES

Soporte técnico

Teléfono: (800) 831-7133 - Fax: (800) 284-4151

Sitios web: www.pentair.com

Contenido

ADVERTENCIA IMPORTANTE E INSTRUCCIONES DE SEGURIDAD.....	i-ii
Información general de la lámpara LED multicolor GloBrite para piscinas	1
Controlar las lámparas de color GloBrite con un interruptor de pared	1
Controlar las lámparas de color GloBrite con un sistema de control automático	1
Utilizar un transformador externo para varias lámparas de color GloBrite de 12 VCA	1
Máxima potencia de consumo utilizando varias lámparas LED de color (con un transformador de 300W)	1
Controlar las lámparas de color GloBrite con un interruptor de pared	2
Conectar las lámparas de color LED GloBrite	2
Seleccionar un modo de color, de espectáculo o un color fijo de GloBrite con un interruptor de pared.....	2
Guardar un modo de color o color fijo	3
Seleccionar un modo de espectáculo para las lámparas de color GloBrite con un controlador IntelliBrite.....	3
Instalación de lámparas de color GloBrite (construcción de piscina nueva).....	4
Instalar la manga y el nicho de la lámpara de color GloBrite (una vez que se cumplen los requisitos eléctricos)	4
Instalar la manga y el nicho de la lámpara de color GloBrite en una piscina de cemento/gunita	4
Opción 1: Manga y nicho de lámpara con cono	5
Opción 2: Conducto hacia el nicho de lámpara	6
Instalar la lámpara de color GloBrite en una piscina de fibra de vidrio	7
Instalar la lámpara de color GloBrite en una piscina de vinilo	8
Instalar el módulo de lámpara de color GloBrite (después de la instalación del nicho)	9
Reemplazar el módulo de lámpara de color GloBrite (en una piscina o spa existente)	11
Reemplazar el módulo de lámpara de color GloBrite (una vez que se cumplen los requisitos eléctricos).....	12
Conectar las lámparas de color GloBrite al Centro de carga EasyTouch/IntelliTouch	13
Configurar las lámparas de color GloBrite con el sistema de control EasyTouch/ IntelliTouch.....	15
Conectar las lámparas de color GloBrite al controlador IntelliBrite y al transformador de 300W	18
Solución de problemas	18
Lista de piezas y kits de reemplazo para lámparas de color GloBrite®	19



P/N 17302 Rev D 1/2020

LEA Y SIGA TODAS LAS INSTRUCCIONES DE ESTE MANUAL.

INSTRUCCIONES IMPORTANTES DE ADVERTENCIA Y SEGURIDAD



PELIGRO

NO INSTALAR Y UTILIZAR ESTA LÁMPARA CORRECTAMENTE PUEDE CAUSAR LESIONES FÍSICAS O LA MUERTE.



PELIGRO

LOS INSTALADORES, OPERADORES Y PROPIETARIOS DE LA PISCINA DEBEN LEER ESTAS ADVERTENCIAS Y TODAS LAS INSTRUCCIONES ANTES DE USAR LA LÁMPARA DE PISCINA Y/O SPA.



ADVERTENCIA

La mayoría de los códigos regionales y estatales regulan la construcción, la instalación y la operación de spas y piscinas públicas, así como la construcción de spas y piscinas residenciales. Es importante cumplir con esos códigos, muchos de los cuales regulan directamente la instalación y el uso de este producto. Consulte sus códigos de construcción y salud regionales para obtener más información.



AVISO IMPORTANTE. Atención del instalador: Esta Guía de instalación y de usuario ("Guía") contiene información importante sobre la instalación, el funcionamiento y el uso seguros de esta lámpara sumergible para piscinas y spa. Se le debe proporcionar esta Guía al dueño u operador del equipo.



ADVERTENCIA

Antes de instalar este producto, lea y siga todas las instrucciones y preste atención a las advertencias que se incluyen en esta Guía. No seguir las instrucciones ni prestar la debida atención a las advertencias puede ocasionar daños a la propiedad, lesiones graves y hasta la muerte. Llame al (800) 831-7133 para obtener copias adicionales y gratuitas de las instrucciones. Visite www.pentairpool.com para obtener más información sobre estos productos.



PELIGRO



RIESGO DE DESCARGAS ELÉCTRICAS O DE ELECTROCUCIÓN:

ANTES DE TRABAJAR CON la lámpara, siempre corte la alimentación de las lámparas de la piscina o del spa en el disyuntor fuente antes de hacer el mantenimiento de la lámpara. Si incumple con esto, puede dar como resultado la muerte o lesiones serias a la persona que realiza el mantenimiento, a los usuarios de la piscina o a terceros debido a un choque eléctrico. Cuando instale y use estos equipos eléctricos, siempre se deben seguir las precauciones de seguridad básicas.

Esta lámpara sumergible debe instalarla un electricista certificado o con licencia, o en todo caso, un equipo profesional calificado de mantenimiento de conformidad con el Código Nacional Eléctrico (NEC) vigente, NFPA 70 o con el Código Eléctrico Canadiense (CEC), CSA C22.1. Además, deben respetarse todos los códigos y las ordenanzas regionales aplicables. Una instalación incorrecta representa un peligro eléctrico que podría dar como resultado la muerte o una seria lesión a los usuarios de la piscina, instaladores u otros debido a un choque eléctrico, y también podría causar daños a la fuente de alimentación. Siempre desconecte la alimentación de la lámpara de la piscina desde el disyuntor antes de realizar el mantenimiento de la lámpara. Si incumple con esto, podría dar como resultado la muerte o lesiones serias a la persona que realiza el mantenimiento, a los usuarios de la piscina o a otros debido a un choque eléctrico.



ADVERTENCIA

Para los países que cumplen con las normas reguladoras de la Comisión Electrotécnica Internacional (IEC): Las lámparas deben ser instaladas por un

electricista certificado o con licencia, o en todo caso, una persona calificada de mantenimiento de piscinas, en conformidad con el IEC 364-7-702 actual y todos los códigos y las ordenanzas locales vigentes. Una instalación incorrecta representa un peligro eléctrico que podría dar como resultado la muerte o una seria lesión a los usuarios de la piscina, instaladores u otros debido a un choque eléctrico, y también podría causar daños a la propiedad.

INSTRUCCIONES IMPORTANTES DE ADVERTENCIA Y SEGURIDAD

INSTALADORES E INSPECTORES

LA LÁMPARA LED DE COLOR GLOBRITE® Y EL NICHOS DE PLÁSTICO COMPONEN UN SISTEMA DE ILUMINACIÓN COMPLETO DE BAJO VOLTAJE Y SIN METALES. ESTA CONFIGURACIÓN NO EXIGE CONEXIÓN O PUESTA A TIERRA CUANDO RECIBE ALIMENTACIÓN DE UN TRANSFORMADOR DE 100W O 300W INCLUIDO EN LA LISTA (LISTA EN LA PÁGINA 19) Y SE INSTALA EN CUMPLIMIENTO DEL CÓDIGO NACIONAL ELÉCTRICO VIGENTE (NEC).

DISPOSICIONES DE LA NEC SOBRE ILUMINACIÓN SIN CONEXIÓN: Cuando la UL incluyó en su lista que las lámparas de color LED de bajo voltaje se utilizan con los nichos aprobados para lámparas GloBrite (como se menciona en la página 19), el NEC actual añade una excepción sobre la conexión y el cableado a tierra de las luminarias en el Artículo 680.6 y 680.23

DISPOSICIONES DE NEC SOBRE CONEXIONES EN AGUA DE PISCINA: Para las conexiones en agua de piscina exigidas por el Artículo 680.26C de NEC, se considera que las piscinas de cemento son conductoras (consulte 680.26 [b] [1]) debido a la porosidad del cemento y la unión con las varillas. No se requiere conexión adicional.

LUMINARIAS FIJAS PARA PISCINAS Y SPA: Siga estas pautas al instalar o reemplazar luminarias fijas para piscinas y spas de Pentair Water Pool and Spa, Inc.:

- PARA CONTROLAR LAS LÁMPARAS, UTILICE ÚNICAMENTE UN TRANSFORMADOR DE AISLAMIENTO DE SEGURIDAD.

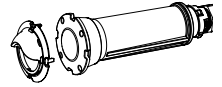
Nota: Conecte los tres conductores a los cables de circuito correspondientes en la caja de conexiones (cable negro a alimentación, cable blanco a común y cable verde a tierra).
ESPECIFICACIÓN SOBRE LUMINARIAS FIJAS PARA PISCINAS Y SPA: 12 VCA 50/60 Hz

NOTA IMPORTANTE: LA LÁMPARA DE COLOR GLOBRITE NO PUEDE RECIBIR MANTENIMIENTO. SE DEBE REEMPLAZAR LA LÁMPARA EN SU TOTALIDAD.

Información general de la lámpara LED multicolor GloBrite® para piscinas

Este manual describe cómo instalar y reemplazar la lámpara LED de color GloBrite para piscinas y spas. Las lámparas LED de color GloBrite producen muchos colores vívidos y brillantes con efectos espectaculares en su piscina. El eficiente sistema productor de colores utiliza la tecnología IntelliBrite® de lámparas LED de color, que le permite variar el espectro lumínico a velocidades variables y con diferentes secuencias de color. Elija uno de los siete espectáculos de luces con programación previa o seleccione uno de los cinco colores fijos para crear una variedad casi interminable de efectos de iluminación bajo el agua que le darán una apariencia espectacular a su piscina o spa.

El accesorio de opcional GloBrite antirreflejos de la pantalla (P/N 620314 - vendido por separado) es para su uso en GloBrite luces LED para reducir reflejo de la luz.



Controlar las lámparas LED de color GloBrite con un interruptor de pared

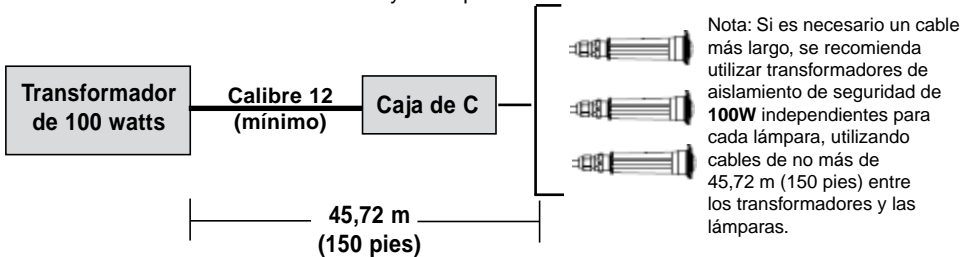
La lámpara LED de color GloBrite se puede controlar manualmente con un interruptor de luces estándar que se monta en la pared. Se pueden conectar varias lámparas de color GloBrite mediante una caja de conexiones y un transformador de aislamiento de 12 VCA a un único interruptor, de modo que se puedan encender y apagar todas las luces simultáneamente. Para ver el diagrama del cableado, consulte la página 14.

Controlar las lámparas LED de color GloBrite con el sistema de control automático

Las lámparas de color también se pueden controlar automáticamente con los sistemas de control IntelliTouch® e EasyTouch® de Pentair (ver página 14). Para más información consulte la Guía de usuario del sistema de control IntelliTouch (P/N 521075), la Guía de usuario del sistema de control EasyTouch (N/P 521044) y la Guía de usuario del sistema de control SunTouch® (N/P 520785).

Utilizar un transformador de aislamiento de seguridad externo para varias lámparas GloBrite de 12 VCA.

Cuando utiliza varias lámparas de color GloBrite de 12 VCA en un transformador de aislamiento de seguridad de **100W**, se recomienda emplear no más de tres (3) lámparas GloBrite. Para cables largos con una sola lámpara, se recomienda no superar los 45,72 m (150 pies) de cable total entre el transformador de aislamiento de 12 VCA y la lámpara de color GloBrite.



Máxima potencia de consumo (watts) con varias lámparas de color LED GloBrite (con un transformador de aislamiento de 300W)

¡IMPORTANTE! Cuando se utilizan varias lámparas LED blancas Pentair de 12 VCA en una piscina o en un spa, la potencia de consumo total permitida para las lámparas es 300W. La potencia de consumo individual por lámpara es la siguiente:

- Una lámpara LED GloBrite de color/blanca para piscina/spa tiene un máximo de 15 watts
- Una lámpara LED de color AmerBrite para piscina tiene un máximo de 23 watts
- Una lámpara LED AmerBrite blanca (500W) para piscina tiene un máximo de 51 watts
- Una lámpara LED AmerBrite blanca (400W) para piscina tiene un máximo de 44 watts
- Una lámpara LED AmerBrite blanca (300W) para piscina tiene un máximo de 36 watts
- Una lámpara LED AmerBrite de color para piscina tiene un máximo de 36 watts
- Una lámpara LED IntelliBrite de color para piscina tiene un máximo de 30 watts
- Una lámpara LED IntelliBrite de color para spa tiene un máximo de 18 watts

Controlar las lámparas de color GloBrite® con un interruptor de pared

Las lámparas de color GloBrite® se pueden controlar con un interruptor convencional que se monta en la pared o con el Controlador IntelliBrite® (ver página 3). Se pueden conectar varias lámparas de color GloBrite mediante una caja de conexiones y un transformador de 12 VCA a un único interruptor, de modo que se puedan encender y apagar todas las luces simultáneamente. Las lámparas de color GloBrite® se controlan enviando corriente AC al transformador de 12 VCA desde un interruptor de pared convencional. Al alternar el interruptor entre encendido y apagado un número específico de veces se activa uno de los siete modos de espectáculo de luces, colores fijos, o se habilita la función “Retener” y “Recordar”.

Encender las lámparas LED de color GloBrites

Cuando se enciende la lámpara de color GloBrite, se muestra el color seleccionado anteriormente, a menos que anteriormente se haya habilitado la función Hold (Retener) o Recall (Recordar).

Nota: Si la alimentación de la lámpara se corta por más de cinco (5) segundos, se mostrará el último modo de espectáculo de colores o color fijo que se guardó.

Seleccionar un modo de espectáculo de luces de colores o un color fijo de GloBrite con un interruptor de pared

Las lámparas de color GloBrite son compatibles con los colores y espectáculos de las lámparas de color IntelliBrite y se pueden sincronizar con las lámparas de color IntelliBrite.

Primero encienda la lámpara. Se encenderá una luz blanca momentáneamente, seguida del color seleccionado con anterioridad. Para seleccionar un modo de espectáculo de colores (1-7) o de color fijo (8-12), alterne el interruptor de pared entre encendido/apagado un número específico de veces. Cada número (1-12) que se muestra a continuación corresponde a la cantidad de veces que se debe alternar el interruptor para activar un espectáculo de luces de colores o un color fijo. Para más detalles sobre cómo guardar efectos de color durante los modos de Show (Espectáculo), consulte las funciones “Hold” (Retener) y “Recall” (Recordar) en la página 3.

Cantidad de veces para reiniciar (1-14)

- 1 **SAM Mode (Modo Sam):** Recorre los colores blanco, magenta, azul y verde (emula la luz de varios colores Pentair SAM®).
- 2 **Party Mode (Modo fiesta):** Cambio de colores muy veloz que energiza y entusiasma.
- 3 **Romance Mode (Modo romántico):** Transición lenta entre colores para dar un efecto cautivante y relajante.
- 4 **Caribbean Mode (Modo caribeño):** Transición entre una variedad de azules y verdes.
- 5 **American Mode (Modo americano):** Transición patriota entre rojo, blanco y azul.
- 6 **California Sunset Mode (Modo de atardecer de California):** Transiciones espectaculares entre tonos de naranja, rojo y magenta.
- 7 **Royal Mode (Modo real):** Colores más ricos y profundos.
- 8 **Blue (Azul):** Color fijo.
- 9 **Green (Verde):** Color fijo.
- 10 **Red (Rojo):** Color fijo.
- 11 **White (Blanco):** Color fijo.
- 12 **Magenta:** Color fijo.
- 13 **Hold (Retener):** Guardar el efecto de color actual durante un espectáculo de luces de color.
- 14 **Recall (Recordar):** Activar el último efecto de color guardado.

Ejemplo: Para seleccionar el **California Sunset Mode** (modo Atardecer de California); alterne el interruptor entre encendido y apagado seis (6) veces consecutivas. Durante el proceso de alternación entre encendido/apagado, no habrá iluminación y luego se encenderá momentáneamente una luz blanca.

**ADVERTENCIA**

Durante el proceso de alternación encendido/apagado antes de que se visualice el color seleccionado, no se encenderá ninguna lámpara. Este modo de operación es normal durante el proceso de encendido/apagado. Durante este período, la piscina y el spa estarán oscuros y habrá que tomar precauciones para evitar accidentes imprevistos. Si no se respeta esta advertencia, los usuarios de la piscina o el spa pueden provocarse lesiones graves o la muerte.

Guardar un modo de color o color fijo

Cuando se apagan las lámparas de color GloBrite®, se guarda el último modo de espectáculo de colores o color fijo. La próxima vez que se encienda la luz, se mostrará el modo de espectáculo de colores o color fijo que se guardó anteriormente. Por ejemplo, mientras está en modo Party (Fiesta) apague la lámpara. Espere más de 10 segundos, vuelva a encender la lámpara para reanudar el modo Party (Fiesta).

Seleccionar modos de color, de espectáculo o de color fijo para las lámparas GloBrite con un controlador IntelliBrite®

En lugar de utilizar un interruptor de pared, las lámparas de color GloBrite se pueden controlar con el Controlador IntelliBrite (p/n 600054, se vende por separado). El Controlador IntelliBrite® le otorga control total sobre sus lámparas de color GloBrite. Es fácil seleccionar una función de iluminación: basta con marcar alguno de los espectáculos de luces de colores o colores fijos preprogramados en el disco selector. Con los botones Hold (Retener) y Recall (Recordar) también puede crear efectos de iluminación inigualables. El Controlador IntelliBrite se puede conectar a un transformador de 12 VCA o varios para controlar las lámparas de color GloBrite. El Controlador IntelliBrite también puede controlar varias lámparas GloBrite e IntelliBrite.

Nota: Para ver las instrucciones de cableado del controlador IntelliBrite, consulte la página 18.



Utilizar el controlador IntelliBrite® para las lámparas de colores: Las lámparas de color GloBrite son compatibles con los colores y espectáculos de IntelliBrite y se pueden sincronizar con las luces de color y paisaje de IntelliBrite. Para seleccionar un modo de espectáculo de luces de colores o un modo de color fijo, gire el disco selector de modo tal que señale la selección deseada. Las selecciones de modo de color comienzan en el sentido de las agujas del reloj a partir de la posición correspondiente a las 9 en punto.

Función Hold (Retener) y Recall (Recordar)

Botón/LED Hold (Retener): Presione este botón (LED encendido) para captar y guardar un efecto de color mientras se muestra uno de los modos de espectáculo de colores. Cuando presione el botón, se encenderá la luz LED para indicar que se capturó el efecto de color.

Botón/LED Recall (Recordar): Use este botón (LED encendido) para activar el último efecto de color guardado. Cuando presione el botón, se encenderá la luz LED para indicar que se está mostrando el efecto de color.

INSTALACIÓN DE LÁMPARA DE COLOR GLOBRITE® (NUEVA CONSTRUCCIÓN DE PISCINA)

A continuación se describe cómo instalar la unidad de iluminación de color GloBrite.

ANTES DE COMENZAR: La siguiente información describe las tareas que el electricista debe realizar *antes* de instalar la unidad de iluminación. Vea la Figura 1 de la página 7.

ADVERTENCIA

Verifique que la piscina o el spa cumplan con los requisitos del Artículo 680-22 del Código Nacional Eléctrico (NEC) actual y todos los códigos y ordenanzas locales vigentes. Un electricista con licencia o certificado debe instalar el sistema eléctrico para cumplir o superar estos requisitos antes de instalar la lámpara sumergible. Algunos requisitos del Código Nacional Eléctrico, que el sistema eléctrico de la piscina debe cumplir, son los siguientes:

- El circuito de iluminación tiene un interruptor de circuito de tierra accidental (GFCI) para modelos con voltaje de línea de 120 VCA, y tiene un disyuntor correspondiente. Los conductores que están en el lado de carga del circuito GFCI no deben ocupar los conductos, las cajas de conexiones o los recintos que contengan otros conductores a menos que los conductores adicionales estén también protegidos por un GFCI. Consulte los códigos locales vigentes para conocer los detalles completos.
- La caja de conexiones y el transformador de bajo voltaje se encuentran a un mínimo de 20,3 cm (8") sobre el nivel del suelo y a un mínimo de 1,22 m (48") desde el borde de la piscina. Vea la Figura 1 de la página 7.
- El nicho para lámparas de color GloBrite se debe instalar correctamente de modo que el borde superior de la lente de la lámpara de color GloBrite esté a un mínimo de 10,16 cm (4") (no más de 1,22 m (48") debajo en Canadá) bajo la superficie del agua de la piscina o el spa.
- Para asegurarse de que el sistema eléctrico de la piscina o del spa cumpla con todos los requisitos vigentes, el electricista debe consultar con el departamento local de construcciones.

INSTALAR LA MANGA Y EL NICHOS DE LA LÁMPARA DE COLOR GLOBRITE (UNA VEZ QUE SE CUMPLEN LOS REQUISITOS ELÉCTRICOS)

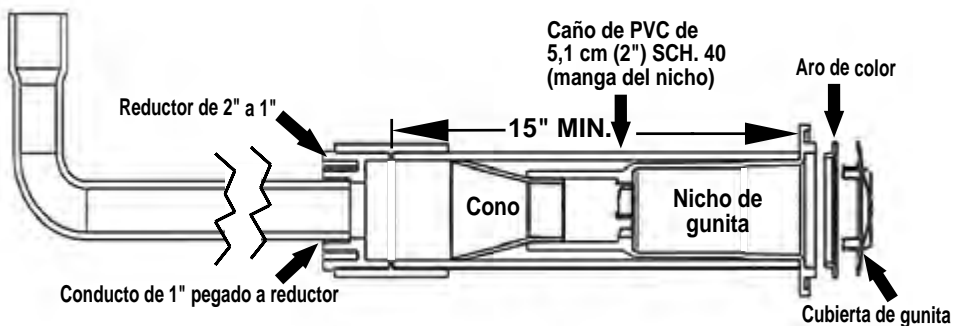
Existen tres tipos de nichos de lámparas de color GloBrite para piscinas o spas: cemento/gunita, fibra de vidrio o recubrimiento de vinilo.

Nota: El nicho para lámparas de color GloBrite se debe instalar en la pared de la piscina (u otra instalación con agua) o sobre ella con la parte superior del lente a no menos de 10,2 cm (4") debajo del nivel de agua normal de la piscina. La lámpara de color GloBrite también se puede instalar en el fondo de la piscina.

Instalar la manga y el nicho para lámparas de color GloBrite® en una piscina de cemento/gunita: opción 1 y opción 2 (ver página 6)

Opción 1: Manga de nicho con cono (el cono se utiliza para aplicaciones en las que se instala el nicho después de conectar el conducto a la manga de 2")

1. **Instale la manga:** Ubique la posición vertical en la piscina o el spa donde se instalará la lámpara. La parte superior del lente de la lámpara debe encontrarse como mínimo a 10,2 cm (4") debajo del nivel de agua normal. Consulte la Figura 1 de la página 7 para ver los requisitos exactos de profundidad.
2. Instale un caño de PVC de 5 cm (2") SCH. 40, de 38,1 cm (15") de longitud en la ubicación deseada de la manga del nicho de la lámpara.
3. Permita que al menos 2,5 cm (1") de la manga del nicho del caño de PVC de 5 cm (2") se extienda hacia afuera a ambos lados de la pared durante la operación con gunita. Corte todo exceso del caño de modo que se enjuague contra la pared antes de enyesar.
4. Pegue un buje reductor de 5 cm (2") x 2,54 cm (1") en la parte trasera de la manga del nicho.
5. Pegue el conducto de 2,45 cm (1") en el reductor como se muestra a continuación en "Diagrama de instalación, opción 1". Asegúrese de que el caño de PVC de 5 cm (2") SCH. 40. se acomode en la longitud total del montaje del nicho/cono y reductor.
6. Pegue el cono en el nicho de gunita (el cono se utiliza para dirigir la cinta guía desde la caja de conexiones hacia dentro del nicho).
7. Aplique cemento de PVC en el interior de la manga. Deslice el nicho de gunita hacia dentro de la manga hasta que se encuentre al ras de la pared de gunita.
8. Instale el aro del color deseado en el frente del nicho.
Nota: Si los códigos locales lo exigen, instale la lámpara en el nicho como se describe en la página 9.
9. Utilizando la tapa del nicho para sellar el frente del nicho, presione la tapa de gunita sobre el frente del nicho. De este modo, protegerá la cavidad de enfriamiento de la lámpara del nicho durante el enyesado. Nota: Si no dispone de una cubierta de gunita, utilice cinta de enmascarar para proteger el lente y la cavidad de enfriamiento durante la operación de enyesado.
10. Aplique yeso de gunita en la pared de la piscina hasta el borde exterior de la tapa de gunita. La tapa de gunita debería ser la única parte expuesta del nicho después de enyesar.
11. Una vez que se realizó el enyesado, retire y deseche la tapa de gunita.

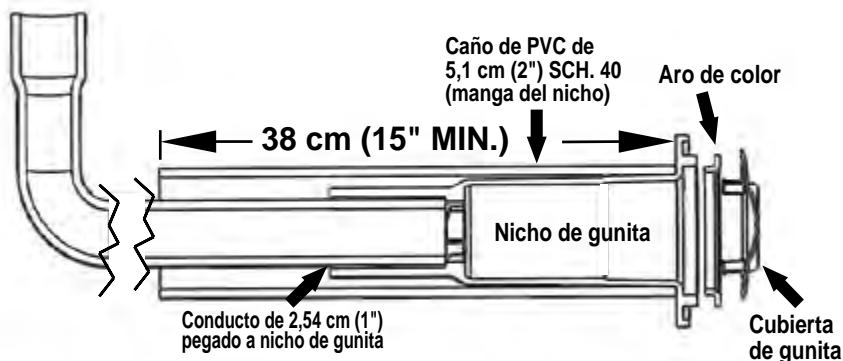


Opción 1: Diagrama de instalación de la manga del nicho con cono

Opción 2: Instale el conducto en el nicho de la lámpara

Para instalar el conducto en el nicho para lámparas de color GloBrite®:

1. **Instale la manga:** Ubique la posición vertical en la piscina o el spa donde se instalará la lámpara. La parte superior del lente de la lámpara debe encontrarse como mínimo a 10,2 cm (4") debajo del nivel de agua normal. Consulte la Figura 1 de la página 7 para ver los requisitos exactos de profundidad.
2. Instale un caño de PVC de 5 cm (2") SCH. 40, de 38,1 cm (15") de longitud en la ubicación deseada de la manga del nicho de la lámpara.
3. Permita que al menos 2,5 cm (1") de la manga del nicho del caño de PVC de 5 cm (2") se extienda hacia afuera a ambos lados de la pared durante la operación con gunita. Corte todo exceso del caño de modo que se enjague contra la pared antes de enyesar.
4. Tire de la cinta guía y del cable de la lámpara por el conducto de 2,5 cm (1") y la manga de PVC SCH. 40 de 5 cm (2").
5. Pegue el conducto de 2,5 cm (1") en la parte trasera del conducto que se muestra a continuación en "Diagrama de instalación, opción 2".
6. Pegue el cono en el nicho de gunita (el cono se utiliza para dirigir la cinta guía desde la caja de conexiones hacia dentro del nicho).
7. Aplique cemento de PVC en el interior de la manga. Deslice el nicho de gunita hacia dentro de la manga hasta que se encuentre al ras de la pared de gunita.
8. Instale el aro de color deseado en el frente del nicho.
Nota: Si los códigos locales lo exigen, instale la lámpara en el nicho como se describe en la página 9.
9. Utilizando la tapa del nicho para sellar el frente del nicho, presione la tapa de gunita sobre el frente del nicho. De este modo, protegerá la cavidad de enfriamiento de la lámpara del nicho durante el enyesado. Nota: Si no dispone de una cubierta de gunita, utilice cinta de enmascarar para proteger el lente y la cavidad de enfriamiento durante la operación de enyesado.
10. Aplique yeso de gunita en la pared de la piscina hasta el borde exterior de la tapa de gunita. La tapa de gunita debería ser la única parte expuesta del nicho después de enyesar.
11. Una vez que se realizó el enyesado, retire y deseche la tapa de gunita.



Opción 2: diagrama de instalación del conducto para la lámpara

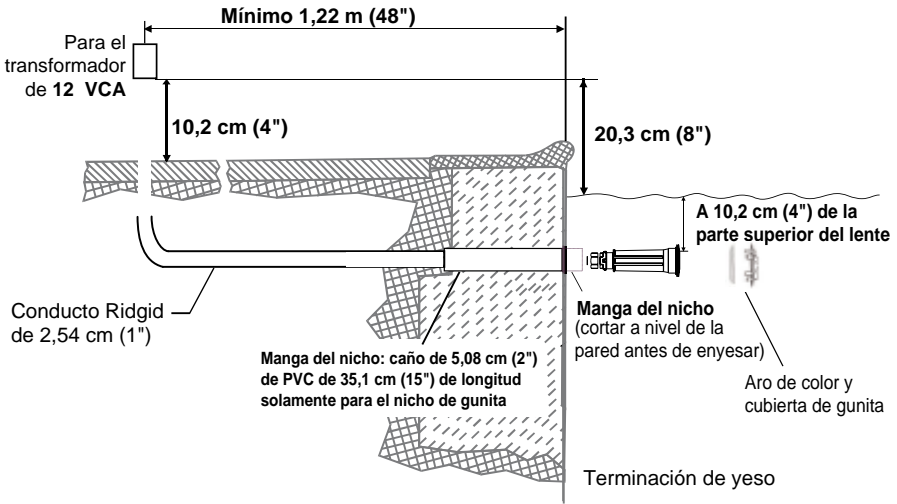


Figura 1: Diagrama de instalación de lámpara en gunita

Instalar el nicho para lámparas de color GloBrite® en una piscina de fibra de vidrio

Para instalar el nicho para lámparas de color GloBrite® en una piscina de fibra de vidrio:

1. Perfore un agujero de 5 cm (2") en el lugar deseado para el nicho de la lámpara GloBrite.
2. Ubique el empaque de sellado en el nicho como se muestra a continuación.
3. Inserte el nicho a través del agujero de 5 cm (2") en la pared de la piscina.
4. Instale la arandela de PVC en la parte trasera del nicho.
5. Instale la tuerca de plástico en la parte trasera del nicho. Ajuste la tuerca con la mano para fijar el nicho en el sitio.
6. Pegue el conducto de 2,5 cm (1") en la parte trasera del nicho.

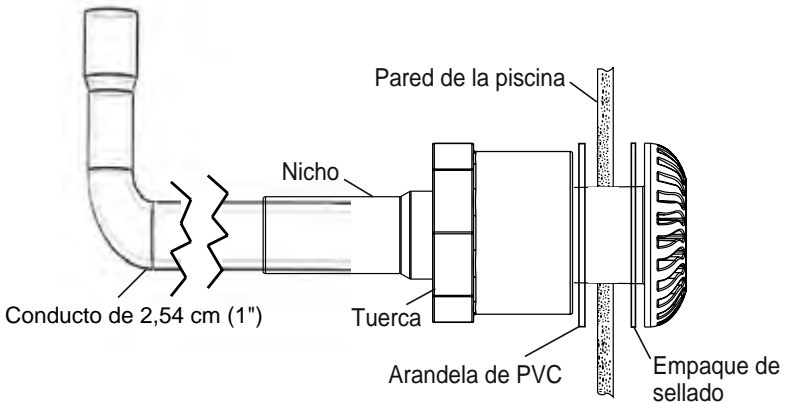
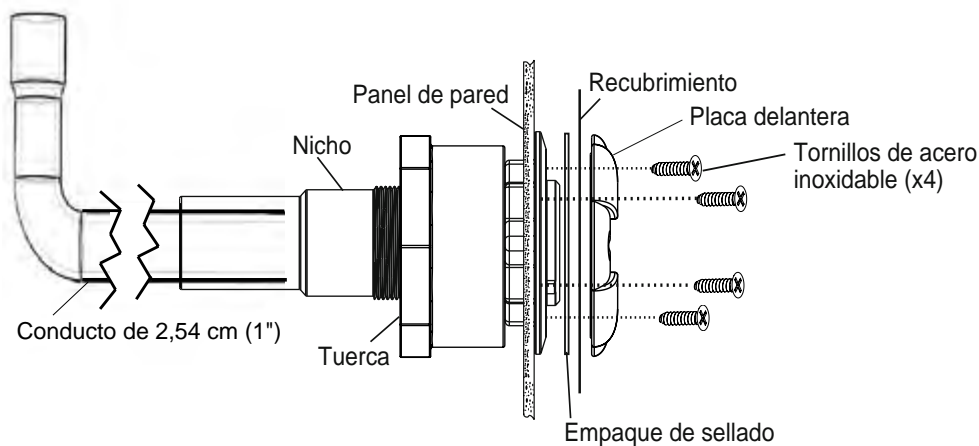


Diagrama de instalación del nicho para lámparas de color GloBrite (piscina de fibra de vidrio)

Instalar el nicho para lámparas de color GloBrite® en una piscina de vinilo

Para instalar el nicho para lámparas de color GloBrite en una piscina con recubrimiento de vinilo:

1. Perfore un agujero de 7,62 cm (3") en el lugar deseado para el nicho de vinilo de la lámpara.
2. Desde el interior de la piscina, inserte el nicho de vinilo en el agujero de 7,62 cm (3").
3. Instale la tuerca de plástico en la parte trasera del nicho. Ajuste la tuerca con la mano para fijar el nicho en el sitio.
4. Ubique el empaque de sellado en el frente del nicho como se muestra a continuación.
5. Instale el revestimiento de vinilo.
6. Instale el conducto. Vea la Figura 1 de la página 7.
7. Usando las pestañas de alineación del nicho, alinee cuidadosamente la cara frontal con el nicho. Una vez que se alinea la cara frontal correctamente, penetre el recubrimiento a través de la cara frontal e instale los tornillos uno por uno.
8. Con un destornillador con cabeza Phillips n° 2, ajuste manualmente los tornillos de retención para fijar la tapa. **NO AJUSTE EXCESIVAMENTE LOS TORNILLOS. NO UTILICE UNA HERRAMIENTA ELÉCTRICA PARA AJUSTAR LOS TORNILLOS.** Si ajusta excesivamente o utiliza un destornillador eléctrico en los tornillos del aro de sellado, puede exceder el torque de las cabezas de los tornillos y dañar la carcasa del nicho y/o el sello del revestimiento de vinilo.

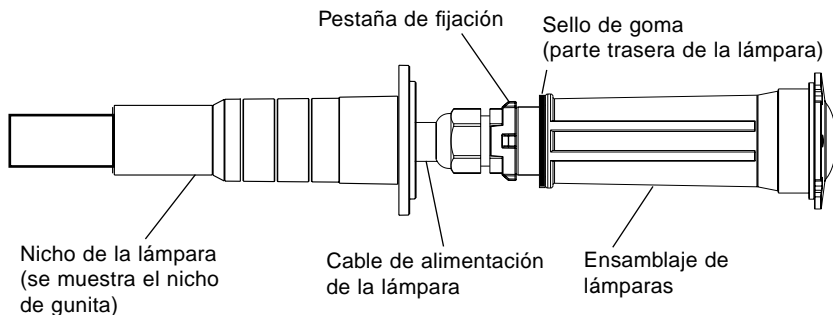


INSTALAR LA LÁMPARA DE COLOR GLOBRITE® (DESPUÉS DE LA INSTALACIÓN DEL NICHOS)

Para instalar la lámpara de color GloBrite® en el nicho de gunita, fibra de vidrio o vinilo:

1. Extienda el cable eléctrico de la lámpara GloBrite por el frente del nicho hacia la ubicación del transformador de 12 VCA de la piscina o la caja de conexiones.
2. En el transformador de 12 VAC o la caja de conexiones, corte todo el cable sobrante. Deje al menos 15,2 cm (6") de cable en la caja de conexiones o en el transformador para facilitar la instalación de la lámpara y la inspección del nicho. Corte el cable sobrante. Vea la Figura 1 de la página 7.
3. Pele el extremo del cable exterior para descubrir los dos (2) conductores aislados. Pele los dos conductores. Procure no dañar el conductor de cobre.
4. Conecte los dos (2) conductores a los cables de circuito correspondientes en la caja de conexiones (cable negro a alimentación, cable blanco a común). Fije la cubierta de la caja de conexiones.
5. **Instale la nueva lámpara GloBrite:** Presione la lámpara hacia dentro del nicho al tiempo que tira del cable desde la caja de conexiones o el transformador, asegurándose de que las pestañas de ajuste del extremo trasero de la lámpara estén alineadas perfectamente con las aberturas del nicho (dentro del nicho).

Nota: Cuando utiliza cables largos o varias lámparas por transformador, se recomienda utilizar la toma de 13 VCA o 14 VCA del transformador.



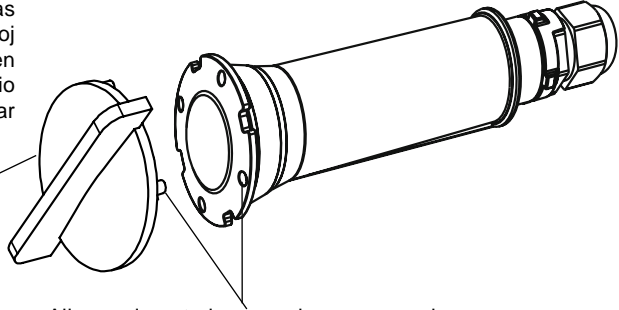
Nicho y lámpara GloBrite

6. Coloque la herramienta de instalación de la lámpara (P/N 620057) sobre el frente de la lámpara. Gire la herramienta y la lámpara en el sentido de las manecillas del reloj (menos de 0,3175 cm [1/8 de giro]), mientras empuja hacia adentro, hasta que sienta el punto en que se detiene. Esto indica que la lámpara está correctamente ubicada y ajustada y que el nicho está sellado completamente.

Nota: Si la lámpara no gira suavemente, tire de la lámpara suavemente hacia afuera y cerciórese de que esté ubicada correctamente y de que el nicho no tenga residuos; luego, instale la lámpara como se describe en el paso 6.

Gire la manija 1/8 en el sentido de las manecillas del reloj para instalar o 1/8 en el sentido contrario para desmontar

Herramienta de instalación y desmontaje de lámpara



Alinee e inserte los pasadores con agujeros en la parte delantera de la lámpara

Herramienta de instalación/desmontaje de lámparas de color GloBrite®

7. Antes de utilizar la lámpara de color GloBrite, llene la piscina de agua hasta que la lámpara esté completamente sumergida.

Nota: La lámpara de color GloBrite no debe encenderse durante más de 30 segundos si no está sumergida en agua.

8. **Verificación final del funcionamiento correcto de la lámpara GloBrite®:** Active el interruptor o disyuntor principal con el transformador de 12 VCA y el interruptor que enciende la lámpara GloBrite. La lámpara debería encenderse cuando se aplica energía de 12 VCA. De lo contrario, revise los pasos de la instalación.

REEMPLAZAR LÁMPARAS DE COLOR GLOBRITE® (EN UNA PISCINA O UN SPA EXISTENTE)

PELIGRO



¡Riesgo de descargas eléctricas o de electrocución!

Esta lámpara sumergible debe instalarla un electricista certificado o con licencia, o en todo caso, un equipo profesional calificado de mantenimiento de conformidad con el Código Eléctrico Nacional (NEC) actual, NFPA 70 o con el Código Eléctrico Canadiense (CEC), CSA C22.1 y deben respetarse todos los códigos y las ordenanzas regionales aplicables. Una instalación incorrecta representa un peligro eléctrico que podría dar como resultado la muerte o una seria lesión a los usuarios de la piscina, instaladores u otros debido a un choque eléctrico, y también podría causar daños a la propiedad.

Siempre desconecte la energía de la luz de la piscina en el disyuntor antes de realizar el mantenimiento de la luz. Si incumple con esto, podría dar como resultado la muerte o lesiones serias a la persona que realiza el mantenimiento, a los usuarios de la piscina o a otros debido a un choque eléctrico.

NOTA IMPORTANTE: LA LÁMPARA DE COLOR GLOBRITE NO PUEDE RECIBIR MANTENIMIENTO. SE DEBE REEMPLAZAR LA LÁMPARA EN SU TOTALIDAD.

ADVERTENCIA

Verifique que la piscina y el spa cumplan con los requisitos del Código Eléctrico Nacional y todos los códigos y ordenanzas locales vigentes. Un electricista con licencia o certificado debe instalar el sistema eléctrico para cumplir o superar estos requisitos antes de instalar la lámpara sumergible. Algunos requisitos del Código Nacional Eléctrico, que el sistema eléctrico de la piscina debe cumplir, son los siguientes:

- El circuito de iluminación tiene un interruptor de circuito de tierra accidental (GFCI) para modelos con voltaje de línea de 120 VCA, y tiene un disyuntor correspondiente. Los conductores que están en el lado de carga del circuito GFCI no deben ocupar los conductos, las cajas de conexiones o los recintos que contengan otros conductores a menos que los conductores adicionales estén también protegidos por un GFCI. Consulte los códigos locales para conocer los detalles completos.
- La caja de conexiones y el transformador de aislamiento de bajo voltaje se encuentran al menos a 20,3 cm (8") sobre el nivel del suelo y al menos a 1,22 m (48") desde el borde de la piscina. Vea la Figura 1 de la página 7.
- El nicho para lámparas de color GloBrite se debe instalar correctamente de modo que el borde superior de la lente de la lámpara GloBrite esté al menos 10,16 cm (4") (no más de 1,22 m (48") debajo en Canadá) debajo de la superficie del agua de la piscina o del spa.
- Para asegurarse de que el sistema eléctrico de la piscina o del spa cumpla con todos los requisitos vigentes, el electricista debe consultar con el departamento local de construcciones.

REEMPLAZAR LA LÁMPARA DE COLOR GLOBRITE® (UNA VEZ QUE SE CUMPLEN LOS REQUISITOS ELÉCTRICOS)

Las instrucciones de desmontaje e instalación a continuación describen cómo desmontar e instalar el ensamblaje de lámparas de color GloBrite.

NOTA IMPORTANTE: LA LÁMPARA DE COLOR GLOBRITE NO PUEDE RECIBIR MANTENIMIENTO. SE DEBE REEMPLAZAR LA LÁMPARA EN SU TOTALIDAD.



Si no se ajusta el sistema eléctrico de la piscina o del spa a los requisitos de los códigos antes de instalar la lámpara sumergible, representará un peligro eléctrico que podría dar como resultado la muerte o lesiones serias a los usuarios de la piscina, instaladores u otros debido a un choque eléctrico, y también podría causar daños a la propiedad.

1. **Gire a Off (Apagado) el interruptor eléctrico o el disyuntor en la fuente.**
2. Retire la tapa de la caja de conexiones o del transformador. Desconecte los cables de la lámpara y pegue una cinta guía al cable de alimentación de la lámpara. *De este modo, será más fácil tirar del cable de alimentación de la lámpara de reemplazo por el conducto hacia la caja de conexiones.*
3. **Retire la lámpara de color GloBrite del agua de la piscina o el spa:** Utilizando la herramienta de instalación suministrada (P/N 620057), gire el ensamblaje de lámparas en dirección contraria a las manecillas del reloj alrededor de 1/8 de vuelta para liberar la luz del nicho como se muestra en la página 10.
4. Tire lentamente de la lámpara y el cable de alimentación unido a ella (con cinta guía pegada) para sacarlos del nicho. Tire del cable de alimentación de la lámpara y la cinta de guía para retirarlos del nicho y coloque la lámpara sobre la plataforma.
5. Una el nuevo cable de alimentación de la lámpara con la cinta guía y dirija cuidadosamente la cinta guía y el cable hacia la caja de conexiones.
6. **Instale la lámpara en el nicho:** Coloque la herramienta de instalación de la lámpara sobre el frente de la luz. Gire la herramienta y la lámpara en el sentido de las manecillas del reloj mientras empuja hacia adentro, hasta que sienta el punto en que se detiene. Esto indica que la luz está correctamente ubicada y ajustada y que el conducto eléctrico está sellado completamente (consulte la página 10).
Nota: Si la lámpara no gira suavemente, tire de la lámpara levemente hacia afuera y cerciórese de que esté ubicada correctamente y de que el nicho no tenga residuos; luego, instale la lámpara como se describe en el paso 5.
7. Conecte los dos (2) conductores a los cables de circuito correspondientes en la caja de conexiones (cable negro a energía, cable blanco a común) y fije la cubierta de la caja de conexiones en el lugar correspondiente.
8. **Verificación final del funcionamiento correcto de la lámpara de color GloBrite®:** Active el interruptor o disyuntor principal con el transformador de 12 VCA y el interruptor que enciende la lámpara. La lámpara debería encenderse cuando se aplica energía de 12 VCA. De lo contrario, revise los pasos de la instalación.

CONECTAR LÁMPARAS DE COLOR GLOBRITE® AL CENTRO DE CARGA DEL SISTEMA DE CONTROL EASYTOUCH® O INTELLITOUCH® A UN RELÉ AUXILIAR



PELIGRO

¡PELIGRO!

RIESGO DE CHOQUE ELÉCTRICO O ELECTROCUCIÓN

Siempre desconecte desde el disyuntor la alimentación AC del centro de carga del sistema de control EasyTouch e IntelliTouch antes de realizar tareas de mantenimiento o retirar el **PANEL DELANTERO DE ALTO VOLTAJE**. Si incumple con esto, podría dar como resultado la muerte o lesiones serias al instalador, a la persona que realiza el mantenimiento, a los usuarios de la piscina o a otros debido a un choque eléctrico.

1. **Centro de carga del sistema de control EasyTouch o IntelliTouch:** Retire el pestillo de puerta con resorte del recinto y abra la puerta.
2. **Descargue la energía electrostática antes de retirar la cubierta tocando primero la parte metálica del recinto.**
3. Afloje los dos (2) tornillos de retención del PANEL DELANTERO DE ALTO VOLTAJE. Retire el panel del recinto.
4. Extienda el cable eléctrico de la lámpara de color GloBrite hacia un relé auxiliar en el centro de carga EasyTouch/IntelliTouch.
5. Conecte el lado de 120 voltios de un transformador de 12 VCA en el LADO DE CARGA de uno de los relés auxiliares (AUX) del centro de carga.
6. Conecte el conductor neutro del transformador de 12 VCA a la barra colectora neutra del centro de carga.
7. Una vez completada la conexión, cierre el panel de control y ajústelos con los dos (2) tornillos de retención.
8. Cierre la puerta delantera del centro de carga. Coloque el pestillo con resorte.

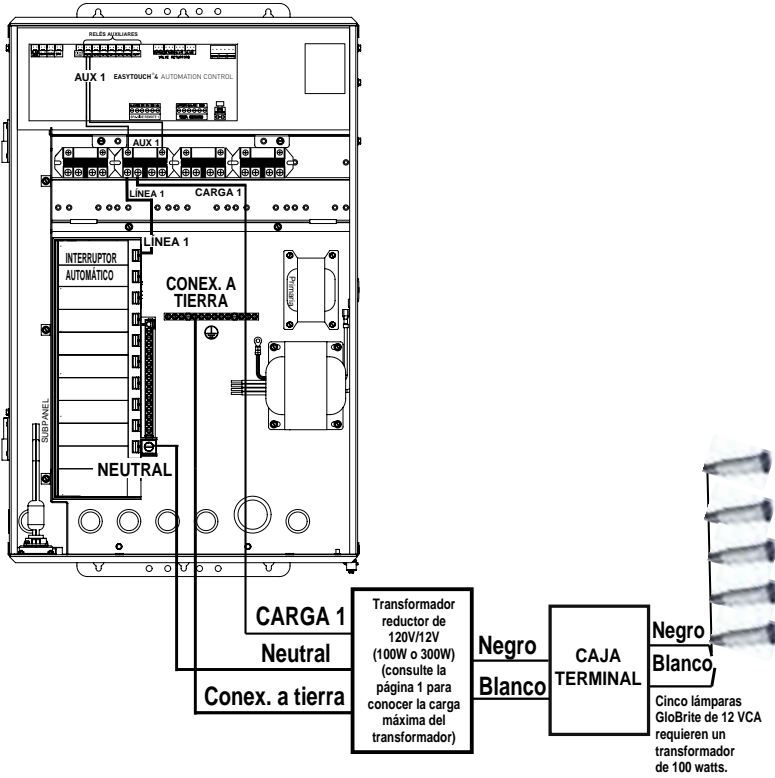


Diagrama de cableado del centro de carga del sistema de control EasyTouch® e IntelliTouch®

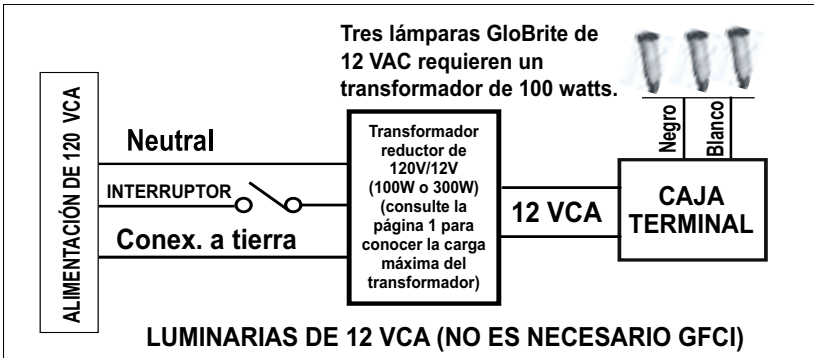


Diagrama de cableado para lámpara de color GloBrite® con interruptor de pared

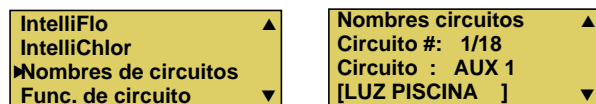
CONFIGURAR LAS LÁMPARAS DE COLOR GLOBRITE® CON EL SISTEMA DE CONTROL EASYTOUCH® E INTELLITOUCH®

Sistema de control EasyTouch®

A continuación se describe cómo configurar la lámpara de color GloBrite® desde el panel de control interno del sistema de control EasyTouch® o del panel de control inalámbrico del sistema de control EasyTouch. Desde el panel de control IntelliTouch® puede controlar los espectáculos de luces.

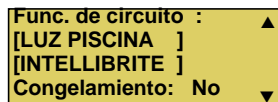
Para configurar un circuito de lámparas GloBrite: asigne el "Nombre de circuito de lámparas" al circuito del relé (por ejemplo: AUX 3, como "Pool Light" ["Luz de piscina"]) y "Function" ("Función"); asigne el nombre del circuito "Pool Light" ("Luz de piscina") en el menú de Circuit Func. (Func. de circuito) como circuito de "lámparas" (IntelliBrite). Después de asignar el nombre del circuito y la función, es posible configurar el nombre del circuito de luces "Pool Light" ("Luz de piscina") en el menú CONFIG para la posición de las lámparas, el color, etc.

Para asignar un Nombre de circuito acceda aquí: MENU > SETTINGS > CIRCUIT NAMES (MENÚ > CONFIGURACIÓN > NOMBRES DE CIRCUITO)



1. Presione el **botón Up/Down** (Arriba/Abajo) para seleccionar un número de circuito 1/18. Presione el botón Up (Arriba) dos veces para seleccionar **AUX 1** y elegir este circuito para un botón de encendido/apagado del circuito de luces. El número de circuito (1/18) corresponde al nombre de su circuito asignado.
2. Presione el **botón Up/Down** (Arriba/Abajo) para desplazarse por la lista de nombres preestablecidos. Seleccione un nombre como "Pool Light" ("Luz de piscina"). Ahora se asignó a AUX 1 el nombre de circuito "Pool Light" (Luz de piscina).

Para asignar una Función de circuito acceda aquí: MENU > SETTINGS > CIRCUIT FUNC. (MENÚ > CONFIGURACIÓN > FUNC. DE CIRCUITOS)



3. Presione el botón Menú para regresar al menú Settings (Configuración). Presione el botón Down (Abajo) y seleccione el menú Presione el botón Right (Derecha) para acceder al menú Circuit Func. (Func. de circuitos).
4. Presione el **botón Up/Down** (Arriba/Abajo) para seleccionar el nombre de circuito "Pool Light" ("Luz de piscina") ya asignado.
5. Presione el **botón derecho** para ver "Circuit Func." ("Funciones de circuito") que puede asignar al circuito "Pool Light" ("Luz de piscina").
6. Presione el **botón Up/Down** (Arriba/Abajo) para seleccionar el tipo de función de circuito de lámparas que desea utilizar. Seleccione "INTELLIBRITE" para utilizar la función de circuito de lámparas GloBrite.
7. Presione el botón Menu (Menú) tres veces para regresar a la pantalla principal.

Utilizar las lámparas GloBrite: Las lámparas de color GloBrite® están listas para usar con el botón 1 del panel de control EasyTouch (circuito auxiliar 1). Para acceder a la pantalla Lights (Lámparas) del menú (*special Light Features* [Funciones de lámparas especiales]), presione **Menu (Menú) > Lights (Lámparas)**. Los parámetros del menú Lights (Lámparas) son las siguientes: MODES (MODOS), COLORS (COLORES), ALL ON (TODAS PRENDIDAS), ALL OFF (TODAS APAGADAS), SYNC (SINCRONIZADAS), MAGICSTREAM (FLUJO MÁGICO), CONFIG (CONFIGURACIÓN): Desde la pantalla Modes (Modos) puede controlar espectáculos de luces. Para acceder al menú Modes (Modos), presione Menu > Lights > Modes (Menú > Luces > Modos). Consulte la página 2 para leer sobre los espectáculos de luces de colores GloBrite.

Sistema de control IntelliTouch®

A continuación se describe cómo configurar las lámparas de color GloBrite® desde el panel de control del sistema de control IntelliTouch®. Desde el panel de control del sistema de control IntelliTouch® puede controlar los espectáculos. Acceder a las pantallas de la lámpara GloBrite, desde el panel de control de interior IntelliTouch o el panel de control Remoto Inalámbrico MobileTouch®.

Asignación de nombre de circuito

Para identificar la lámpara GloBrite conectada a los circuitos auxiliares (AUX 1, AUX 2) en el centro de carga IntelliTouch, debe asignar el nombre de circuito de lámparas GloBrite a los circuitos auxiliares correspondientes en el panel de control de interior IntelliTouch. Elija un nombre de circuito de la lista preestablecida de nombres para la lámpara GloBrite conectada al relé auxiliar instalado en el centro de carga IntelliTouch.

Asignar un nombre de circuito a la lámpara GloBrite: Para asignar un nombre de circuito a la lámpara GloBrite, acceda aquí: **MENÚ > CONFIGURACIÓN > AVANZADO > NOMBRES DE CIRCUITO > ASIGNAR NOMBRES DE CIRCUITO > VISUALIZACIÓN (MENU > SETUP > ADVANCED > CIRCUIT NAMES > ASSIGN CIRCUIT NAMES > DISPLAY).**

Seleccionar la pantalla de VISUALIZACIÓN 1, 2, 3 ó 4: Se puede acceder a los circuitos auxiliares que controlan los equipos de la piscina o del spa desde la pantalla de “Visualización” del panel de control de interior o del panel de control inalámbrico MobileTouch. Al seleccionar el botón próximo a Visualización 1, 2, 3 ó 4 se muestra la pantalla con los circuitos pertenecientes a ese centro de carga o centro de alimentación particular de expansión. También se pueden asignar “Circuitos de funciones” en esta pantalla.

Para asignar nombres de circuito para una pantalla de visualización específica:

Visualización N° 1: Esta pantalla muestra los nombres de circuito para la bomba de filtración, los modos de piscina y spa, y todos los circuitos auxiliares de alto voltaje conectados al principal Centro de carga o Centro de alimentación.

Visualización N° 2: Esta pantalla muestra los nombres de circuito para los circuitos auxiliares adicionales conectados al primer centro de expansión (Centro de carga o Centro de alimentación).

Visualización N° 3: Esta pantalla muestra los nombres de circuito para los circuitos auxiliares adicionales conectados al segundo centro de expansión (Centro de carga o Centro de alimentación).

Visualización N° 4: Esta pantalla muestra los nombres de circuito para los circuitos auxiliares adicionales conectados al tercer centro de expansión (Centro de carga o Centro de alimentación).

Para asignar un nombre de circuito de lámparas GloBrite para la PANTALLA PRINCIPAL:

1. Seleccione el botón próximo a Visualización n° 1. Estos son nombres de circuitos que se visualizarán en la pantalla principal. Nota: Si hay un Centro de carga o un Centro de alimentación de expansión instalado, seleccione la visualización N° 2, N° 3 o N° 4 correspondiente asociada con ese Centro de carga o Centro de alimentación de expansión.
2. En la pantalla de visualización principal, presione el botón próximo a AUX 1. Se mostrará una pequeña flecha que apunta a AUX 1.
3. Use los botones Up y Down (Arriba y Abajo) en la parte inferior de la pantalla para navegar por la lista alfabética de nombres de equipos preestablecidos. Elija el nombre del equipo que se corresponde con el nombre de la etiqueta del botón número 1 en el Panel de control de exterior del Centro de carga.
4. Continúe nombrando otros circuitos auxiliares (AUX 2, AUX 3, etc.): Después de seleccionar el nombre de equipo que quiere utilizar para AUX 1, presione el botón próximo a AUX 2 y elija un nombre de circuito. La flecha pequeña indica qué circuito se seleccionó para nombrar.
5. Repita el proceso para asignar el otro equipo a los circuitos en esta pantalla.
6. Cuando haya terminado de asignar nombres de circuito a los equipos, presione el botón Guardar. Presione el botón Exit (Salir) para regresar a la pantalla principal.
7. **CONTINÚE A LA PÁGINA SIGUIENTE para configurar el “Function Circuit” (“Circuito de función”) de GloBrite.**

Configurar una función de circuito para la lámpara de color GloBrite®

Para configurar un circuito AUX para controlar la lámpara de color GloBrite®, asigne a la función de circuito de lámparas un circuito de relé auxiliar (AUX 1); luego, asigne un nombre de circuito para ese circuito de lámparas. El nombre del circuito de lámparas aparecerá en la pantalla principal. A cada lámpara GloBrite también se le debe asignar una función de circuito.

Para asignar un Circuit Name (Nombre de circuito) a la lámpara GloBrite, acceda aquí: MENÚ > CONFIGURACIÓN > AVANZADO > FUNCIONES DE CIRCUITO (MENU > SETUP > ADVANCED > CIRCUIT FUNCTIONS)

Configure un circuito de función para una lámpara GloBrite: Asigne a cada lámpara un circuito de relé auxiliar, luego asigne ese circuito de relé de lámpara en la sección "CIRCUIT FUNCTIONS" ("FUNCIONES DE CIRCUITO"), como "INTELLIBRITE".

Para configurar la función de circuito de lámparas GloBrite (utilice el nombre de circuito "IntelliBrite"):

1. Presione el botón próximo al botón AUX (el circuito auxiliar de relé conectado a la lámpara GloBrite [IntelliBrite]).
2. Presione el botón de la derecha o izquierda (PREV/NEXT [ANTERIOR/SIGUIENTE]) próximo a "INTELLIBRITE". Navegue por las funciones de circuito hasta encontrar "INTELLIBRITE".
3. Presione el botón SAVE (GUARDAR) en la parte inferior de la pantalla. Presione el botón EXIT (SALIR) para regresar a la pantalla principal.

Asigne el circuito de lámparas GloBrite a la pantalla Lights (Lámparas):

4. Presione el botón Lights (Lámparas) en la parte inferior de la pantalla.
5. Presione el botón de la derecha próximo a "CONFIGURE" ("CONFIGURAR").
6. Presione el botón próximo a "NONE" ("NINGUNO") para asignar un circuito de lámparas IntelliBrite al botón seleccionado. Se pueden configurar los nombres de las lámparas para visualizarse en el lado izquierdo para funciones de "Spa" y en el lado derecho para funciones de "Piscina".
7. Presione el botón lateral izquierdo o derecho superior para navegar por los circuitos de lámparas disponibles que se pueden utilizar para las funciones de iluminación GloBrite (IntelliBrite). Seleccione el nombre de circuito que desea utilizar. Los nombres de circuito que se visualizan son nombres asignados anteriormente al momento de asignar funciones de circuito.

Controlar y seleccionar modos de color de GloBrite (lámpara de color IntelliBrite®)

En la pantalla de "Modos" ("Modos") puede seleccionar varios efectos preestablecidos de iluminación de color, como el "American mode" ("Modo americano") y el "Sunset mode" ("Modo atardecer"), así como la luz multicolor Pentair SAM® (que emula el esquema de colores SAM). Al utilizar la función "Hold" ("Retener") y "Recall" ("Recordar"), también puede capturar y guardar un efecto inigualable de colores para repetirlo en otro momento.

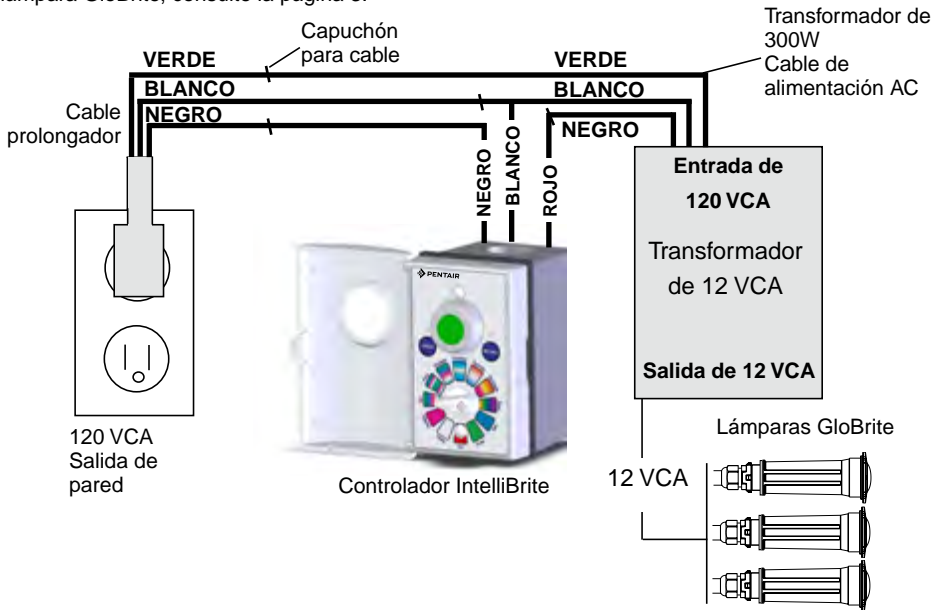
Pantalla de modos

Para acceder a las funciones de "Modos" ("Modos") de espectáculos de luces de colores IntelliBrite® desde la pantalla "Lights" ("Lámparas"), presione el botón "Lights" ("Lámparas") en la parte inferior de la pantalla y luego presione el botón lateral izquierdo próximo a "MODES" ("MODOS").

Funciones de lámpara especiales: Se pueden visualizar hasta doce (12) circuitos de lámparas IntelliBrite en la pantalla principal de "Lights" ("Lámparas") (funciones de lámparas especiales). En la pantalla "Lights" ("Lámparas") puede activar las funciones de iluminación de IntelliBrite (es decir, nado de colores, conjunto de colores). Asumir que cada lámpara GloBrite (IntelliBrite) tiene su propio relé y circuito separado.

Conectar las lámparas de color GloBrite® al Controlador IntelliBrite y al transformador de 300 watts

El siguiente diagrama indica cómo conectar la lámpara de color GloBrite® a un Controlador IntelliBrite con un transformador de 300 watts. Nota: Para leer las instrucciones operativas de la lámpara GloBrite, consulte la página 3.



Solución de problemas (lámparas de color GloBrite®)

Problema	Causa/Acción
La lámpara no se enciende.	Verifique el circuito de tierra GFCI y reestablezca si es necesario.
La lámpara no funciona correctamente.	Verifique la conexión del cableado de la lámpara con la caja de conexiones en el sector de la piscina y con el interruptor de energía AC. Asegúrese de que la alimentación AC de la lámpara sea adecuada.

Solución de problemas (Controlador IntelliBrite®)

Problema	Causa/Acción
Ambos LED se encienden intermitentemente.	El Controlador IntelliBrite ha detectado que la carga superó la máxima potencia de consumo (watts) permitida o que hay un cortocircuito en la salida 1. Apague el Controlador IntelliBrite. Elimine la carga excesiva o el cortocircuito. 2. Presione el interruptor de encendido del Controlador IntelliBrite para encender la unidad. Asegúrese de que los LED ya no se enciendan intermitentemente.
La lámpara no se enciende. La lámpara no funciona correctamente.	Verifique el circuito de tierra y reestablezca si es necesario. Verifique la conexión del cableado de la lámpara con la caja de conexiones en el sector de la piscina y con el disyuntor principal. Asegúrese de que la alimentación AC de la lámpara sea adecuada.

Lista de piezas y kits de reemplazo de las lámparas de color GloBrite®

Lámparas GloBrite

N. ° de Pieza Descripción

602053	Cable 12 VCA de 30' GloBrite
602054	Cable 12 VCA de 50' GloBrite
602055	Cable 12 VCA de 100' GloBrite
602056	Cable 12 VCA de 150' GloBrite

Paquetes GloBrite

N. ° de Pieza Descripción

619993	Combo de gunita N° 1: 1 GloBrite de 100' con transformador de 300W y nicho de gunita
619994	Combo de gunita N° 2: 2 GloBrite de 100' con transformador de 300W y 2 nichos de gunita
620051	Combo de fibra de vidrio N° 1: 1 GloBrite de 100' con transformador de 300W y nicho de fibra de vidrio
620052	Combo de fibra de vidrio N° 2: 2 GloBrite de 100' con transformador de 300W y 2 nichos de fibra de vidrio
620080	Combo de vinilo N° 1: 1 GloBrite de 100' con transformador de 300W y nicho de vinilo
620081	Combo de vinilo N° 2: 2 GloBrite de 100' con transformador de 300W y dos nichos de vinilo

Nichos para lámparas GloBrite

N. ° de Pieza Descripción

620039	Nicho de vinilo para GloBrite
620040	Nicho de gunita para GloBrite
620041	Nicho de fibra de vidrio para GloBrite
620093	Nicho de fibra de vidrio para GloBrite (azul)
620094	Nicho de fibra de vidrio para GloBrite (gris)

Kits de reemplazo de lámparas GloBrite

N. ° de Pieza Descripción

620055	Fibra de vidrio (arandela y empaque)
620056	Aro de color (aro de color y cubierta de yeso)
620057	Junta tórica (junta tórica, herramienta de inserción)
620058	Tuerca (tuerca de fibra de vidrio/vinilo)
620314	Antirreflejos de la Pantalla
602136	Vinilo, azul, empaque (3), cara delantera (azul), tornillos (12)
602137	Vinilo, gris, empaque (3), cara delantera (gris), tornillos (12)
602138	Vinilo, blanca, empaque (3), cara delantera (blanca), tornillos (12)

El accesorio de opcional

GloBrite antirreflejos de la pantalla (P/N 620314 - vendido por separado)



1620 HAWKINS AVE., SANFORD, NC 27330 • (919) 566-8000
10951 WEST LOS ANGELES AVE., MOORPARK, CA 93021 • (805) 553-5000
WWW.PENTAIR.COM

Todas las marcas comerciales y los logos de Pentair son propiedad de Pentair, Inc., GloBrite®, IntelliFlo®, IntelliBrite®, EasyTouch®, IntelliTouch®, SunTouch®, IntelliChlor®, MobileTouch® y SAM® son marcas comerciales y/o marcas registradas de Pentair Water Pool and Spa, Inc. y/o sus empresas afiliadas en Estados Unidos y/u otros países. A menos que se indique expresamente, los nombres comerciales y marcas de terceros que puedan haber sido utilizados en este documento no indican una asociación o respaldo entre los propietarios de estos nombres comerciales y marcas y Pentair Water Pool and Spa, Inc. Esos nombres comerciales o marcas pueden ser marcas comerciales o marcas registradas de estos terceros. Debido a que estamos constantemente mejorando nuestros productos y servicios, Pentair se reserva el derecho de modificar las especificaciones sin previo aviso. Pentair es un empleador que ofrece igualdad de oportunidades.

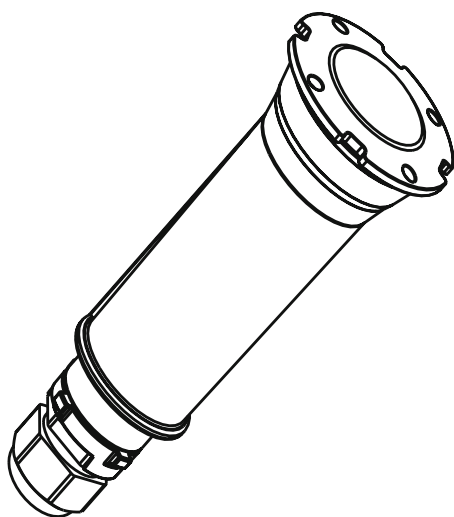
© 2020 Pentair Water Pool and Spa, Inc. Todos los derechos reservados.
Este documento está sujeto a cambios sin previo aviso.



P/N 17302 REV D 1/2020



LUMIÈRE DEL BLANCHE GLOBRITE® POUR PISCINE ET SPA



GUIDE D'INSTALLATION ET DE L'UTILISATEUR

CONSIGNES DE SÉCURITÉ IMPORTANTES
LISEZ ET RESPECTEZ TOUTES LES INSTRUCTIONS
CONSERVEZ CES DIRECTIVES

Soutien technique

Téléphone : 1-800-831-7133 – Télécopieur : 1-800-284-4151

www.pentair.com

Contenu

CONSIGNES DE SÉCURITÉ IMPORTANTES.....	i-ii
Aperçu de la lumière DEL blanche pour piscine GloBrite	1
Utilisation des lumières GloBrite avec un interrupteur mural	1
Utilisation d'un transformateur externe pour plusieurs lumières GloBrite 12 VCA	1
Puissance maximale pour l'utilisation de plusieurs lumières DEL (avec un transformateur 300 W)	1
Utilisation des lumières blanches GloBrite avec un interrupteur mural.....	2
Installation du dispositif de lumière GloBrite (piscine nouvellement construite).....	3
Installation du manchon et de la niche de la lumière GloBrite (lorsque les exigences électriques sont respectées).....	3
Installation du manchon et de la niche de la lumière GloBrite dans une piscine de ciment ou de gunite	5
Option 1 : Manchon de la niche de la lumière avec cône	5
Option 2 : Conduit vers la niche de la lumière	6
Installation de la lumière GloBrite pour une piscine de fibre de verre	7
Installation de la lumière GloBrite pour une piscine de vinyle	8
Installation du dispositif de lumière GloBrite (après installation de la niche).....	9
Remplacement du dispositif de lumière GloBrite (pour une piscine ou un spa existant)	11
Remplacement du dispositif de lumière GloBrite (lorsque les exigences électriques sont respectées).....	12
Branchement des lumières GloBrite au centre d'alimentation EasyTouch/IntelliTouch	13
Liste des pièces et trusses de remplacement de la lumière GloBrite	19

LISEZ ET RESPECTEZ TOUTES LES INSTRUCTIONS DE CE MANUEL.



N/P. 620218 Rév D 1/2020

Manuel d'installation et de l'utilisateur pour la Lumière DEL blanche pour piscine et spa GLOBRITE

AVERTISSEMENTS IMPORTANTS ET CONSIGNES DE SÉCURITÉ



LE NON-RESPECT DE CES CONSIGNES D'INSTALLATION ET D'UTILISATION PEUT ENTRAÎNER DES BLESSURES GRAVES OU LA MORT.



LES INSTALLATEURS, LES EXPLOITANTS ET LES PROPRIÉTAIRES DE PISCINE DOIVENT LIRE CES AVERTISSEMENTS ET TOUTES LES CONSIGNES AVANT D'UTILISER LA LUMIÈRE POUR PISCINE ET SPA.



La plupart des codes fédéraux, provinciaux, territoriaux et locaux réglementent le secteur de la construction, de l'installation et du fonctionnement des piscines et spas publics et la construction des piscines et spas résidentiels. Il est important de se conformer à ces codes, dont plusieurs réglementent directement l'installation et l'utilisation de ce produit. Consultez vos codes locaux de construction et de santé pour obtenir plus d'information.



REMARQUE IMPORTANTE – À l'attention de l'installateur : Ce guide d'installation et de l'utilisateur (le « Guide ») contient des renseignements importants sur l'installation, le fonctionnement et l'utilisation sécuritaire de cette lumière aquatique pour piscine et spa. Ce Guide doit être remis au propriétaire ou à l'exploitant de cet équipement.



Avant d'installer ce produit, lire et respecter toutes les consignes d'avertissement et les instructions de ce Guide. Le non-respect de ces consignes et instructions peut causer des blessures graves ou mortelles, ou des dommages matériels. Composez le 1-800-831-7133 pour recevoir gratuitement des manuels de consignes de sécurité supplémentaires. Consultez le site Web www.pentairpool.com pour obtenir de l'information relative à ce produit.



RISQUE DE DÉCHARGE ÉLECTRIQUE OU D'ÉLECTROCUTION!



AVANT D'INTERVENIR sur la lumière, toujours couper l'alimentation des lumières de piscine ou de spa au disjoncteur source avant d'effectuer l'entretien de la lumière. Le non-respect de cette consigne peut engendrer la mort ou des blessures graves par décharge électrique au réparateur, aux utilisateurs de la piscine ou à d'autres personnes.
Lors de l'installation et de l'utilisation de ce matériel électrique, les consignes de sécurité de base doivent toujours être suivies.

Cette lumière aquatique doit être installée par un électricien dûment certifié ou autorisé ou un professionnel en réparation de piscine qualifié conformément au Code national de l'électricité (NEC), au NFPA 70 ou au Code canadien de l'électricité (CEC) et au CSA C22.1. Tout code et toute ordonnance d'installation en vigueur de votre région doivent également être respectés. Une installation incorrecte constitue un danger électrique qui pourrait causer la mort ou des blessures graves pour les utilisateurs de la piscine, les installateurs ou toute autre personne en cas de décharge électrique, ainsi que des dommages matériels à la source d'alimentation. Toujours couper l'alimentation de la lumière de piscine au niveau du disjoncteur avant d'intervenir sur la lumière. Le non-respect de cette consigne peut engendrer la mort ou des blessures graves par décharge électrique au réparateur, aux utilisateurs de la piscine ou à d'autres personnes.



Pour les pays respectant les normes réglementaires de la Commission électrotechnique internationale (CEI) : Le dispositif de lumière doit être installé

par un électricien dûment certifié ou autorisé ou un professionnel en réparation de piscine qualifié conformément au code CEI 364-7-702 en vigueur et à tout code ou à toute ordonnance en vigueur de la région. Une installation incorrecte constitue un danger électrique qui pourrait causer la mort ou des blessures graves pour l'utilisateur de la piscine, l'installateur ou toute autre personne en cas de décharge électrique, ainsi que des dommages matériels.

AVERTISSEMENTS IMPORTANTS ET CONSIGNES DE SÉCURITÉ

INSTALLATEURS ET INSPECTEURS

LA LUMIÈRE DEL BLANCHE GLOBRITE® ET SA NICHE DE PLASTIQUE FORMENT UN SYSTÈME D'ÉCLAIRAGE COMPLET NON MÉTALLIQUE À BASSE TENSION. CETTE CONFIGURATION NE NÉCESSITE AUCUNE LIAISON ÉLECTRIQUE OU FUITE À LA TERRE LORSQU'ELLE EST ALIMENTÉE PAR UN TRANSFORMATEUR DE 100 WATTS OU DE 300 WATTS CATALOGUÉ (INDIQUÉS À LA PAGE 19) ET INSTALLÉ CONFORMÉMENT AU CODE NATIONAL DE L'ÉLECTRICITÉ (NEC) ACTUEL.

PROVISIONS DU NEC POUR LES LUMINAIRES NON LIÉS : Lorsque les lumières DEL blanches non métalliques à basse tension GloBrite classées par UL sont utilisées avec les niches approuvées pour lumières GloBrite (indiquées à la page 19), la version actuelle du NEC comprend une exception concernant la liaison électrique et la fuite à la terre des luminaires aux Articles 680.6 et 680.23.

PROVISIONS DU NEC POUR LA LIAISON ÉLECTRIQUE CONCERNANT L'EAU DE PISCINE : Pour la liaison électrique en présence d'eau de piscine, exigée par l'Article 680.26C du NEC, les piscines de ciment sont considérées comme conductrices (voir 680.26 [b][1]) en raison de la porosité du ciment et de la liaison créée par l'armature. Aucune liaison supplémentaire n'est requise.

LUMINAIRES FIXES POUR PISCINES ET SPAS : Suivez les instructions ci-dessous lors de l'installation ou du remplacement des luminaires fixes Pentair pour systèmes aquatiques de piscine ou de spa :

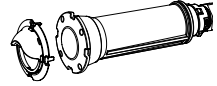
- POUR L'UTILISATION DE LA LUMIÈRE, UTILISER UNIQUEMENT UN TRANSFORMATEUR D'ISOLATION DE SÛRETÉ. Remarque : Brancher les trois fils aux fils correspondants dans la boîte de jonction (fil noir à l'alimentation, fil blanc au conducteur commun, fil vert à la mise à la terre). SPÉCIFICATIONS DES LUMINAIRES POUR PISCINES ET SPAS : 12 VCA 50/60 Hz

AVIS IMPORTANT : LA LUMIÈRE BLANCHE GLOBRITE NE PEUT PAS ÊTRE RÉPARÉE. LE DISPOSITIF COMPLET DOIT ÊTRE REMPLACÉ.

Aperçu de la lumière DEL blanche pour piscine GloBrite®

Ce manuel décrit le processus d'installation et de remplacement de la lumière DEL blanche pour piscine et spa GloBrite®. La lumière DEL blanche GloBrite vous permet de choisir parmi trois niveaux de luminosité. Pour obtenir plus de détails, voir la page 2.

Accessoire GloBrite Ecran Anti-Eblouissement (P/N 620314) – Facultatif et vendu séparément, est destiné à être utilisé sur GloBrite Lumières LED Couleur et Blanches pour réduire les reflets de lumière.

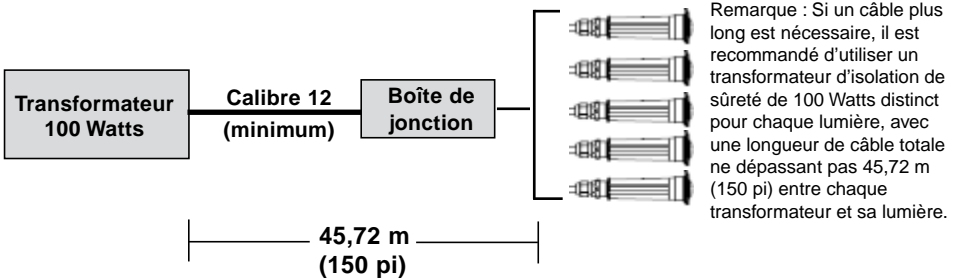


Utilisation des lumières DEL GloBrite avec un interrupteur mural

La lumière DEL GloBrite peut être contrôlée manuellement à l'aide d'un interrupteur mural standard. Plusieurs lumières GloBrite peuvent être raccordées à l'aide d'une boîte de jonction et d'un transformateur d'isolation 12 VCA et reliées à un seul interrupteur pour allumer et éteindre toutes les lumières en même temps. Pour consulter le schéma de câblage, voir la page 14.

Utilisation d'un transformateur d'isolation de sûreté externe pour plusieurs lumières GloBrite 12 VCA

Lorsque plusieurs lumières GloBrite 12 VCA sont utilisées avec un transformateur d'isolation de sûreté de **100 Watts**, il est recommandé d'utiliser au maximum cinq (5) lumières GloBrite. Pour les câbles longs comportant une seule lumière, il est recommandé de ne pas dépasser 150 pi (45,72 m) de câblage total entre le transformateur d'isolation 12 VCA et la lumière GloBrite.



Puissance maximale pour plusieurs lumières DEL blanches GloBrite (avec transformateur d'isolation de 300 Watts)

IMPORTANT! Lorsque plusieurs lumières DEL blanches 12 VCA Pentair pour piscine et spa sont utilisées, la puissance maximale autorisée est de 300 Watts. La puissance individuelle pour les lumières est la suivante :

- Maximum de 15 Watts pour une lumière de piscine DEL blanche GloBrite
- Maximum de 51 Watts pour une lumière de piscine DEL blanche AmerBrite (500 W)
- Maximum de 44 Watts pour une lumière de piscine DEL blanche AmerBrite (400 W)
- Maximum de 36 Watts pour une lumière de piscine DEL blanche AmerBrite (300 W)
- Maximum de 36 Watts pour une lumière de piscine DEL colorée AmerBrite
- Maximum de 30 Watts pour une lumière de piscine DEL colorée IntelliBrite
- Maximum de 18 Watts pour une lumière de spa DEL colorée IntelliBrite

Utilisation des lumières blanches GloBrite® avec un interrupteur mural

Les lumières blanches GloBrite® peuvent être contrôlées à l'aide d'un interrupteur mural standard. Plusieurs lumières blanches GloBrite peuvent être raccordées à l'aide d'une boîte de jonction et d'un transformateur 12 VCA et reliées à un seul interrupteur pour allumer et éteindre toutes les lumières en même temps. Les lumières blanches GloBrite sont contrôlées en alternant l'alimentation CA du transformateur 12 VCA à partir d'un interrupteur mural standard. En allumant et en éteignant l'interrupteur un certain nombre de fois, vous pouvez choisir parmi les trois niveaux de luminosité.

Alimentation des lumières DEL blanches GloBrite

Remarque : La lumière DEL blanche GloBrite est livrée de l'usine en mode de luminosité 100 %.

Lorsque la lumière blanche GloBrite est allumée, elle utilise par défaut le dernier niveau de luminosité utilisé. **Remarque :** Si l'alimentation de la lumière est éteinte plus de cinq (5) secondes, le dernier niveau de luminosité enregistré s'affichera.

Sélection d'un niveau de luminosité pour la lumière blanche GloBrite à l'aide d'un interrupteur mural

Les lumières blanches GloBrite vous permettent de choisir parmi trois niveaux de luminosité (100 %, 75 % et 50 %). Lorsque la lumière blanche GloBrite est allumée, elle prend d'abord son plus haut niveau de luminosité (100 %). Si elle est configurée : en luminosité moyenne (75 %) ou basse (50 %).

Pour sélectionner l'un des trois niveaux de luminosité des lumières GloBrite (100 %, 75 % et 50 %), allumer les lumières, puis éteindre et allumer l'interrupteur rapidement à plusieurs reprises pour sélectionner le niveau souhaité.

La sélection du niveau de luminosité se fait comme suit :

- **100 % de luminosité :** Éteignez puis rallumez rapidement les lumières une fois pour utiliser la luminosité à 100 %.
- **75 % de luminosité :** Alternez **OFF-ON-OFF-ON** et les lumières s'allumeront d'abord à 100 % de luminosité, puis passeront à 75 % après une seconde.
- **50 % de luminosité :** Alternez **OFF-ON-OFF-ON-OFF-ON** et les lumières s'allumeront à 100 %, passeront à 75 % après une seconde et diminueront à 50 % après une autre seconde.

INSTALLATION DU DISPOSITIF DE LUMIÈRE GLOBRITE® (PISCINE NOUVELLEMENT CONSTRuite)

Ce qui suit décrit l'installation du dispositif de lumière GloBrite®.

AVANT DE COMMENCER : Les informations qui suivent décrivent les tâches à compléter par l'électricien avant l'installation du dispositif de lumière.

Voir l'illustration 1 à la page 7.



Assurez-vous que la piscine ou le spa respecte les exigences actuelles de l'Article 680-22 du Code national de l'électricité (NEC), ainsi que tous les codes et toutes les ordonnances de votre région. L'installation doit être effectuée par un électricien certifié qui devra s'assurer que les exigences réglementaires sont satisfaites, voire dépassées, avant d'installer la lampe subaquatique. Les exigences du Code national de l'électricité devant être respectées par le système électrique de la piscine incluent :

- La boîte de jonction et le transformateur basse tension sont situés au moins à 10,16 cm (4 po) au-dessus du sol ou à 20,3 cm (8 po) au-dessus du niveau d'eau maximal, selon la valeur la plus élevée. La boîte de jonction doit se trouver au moins à 1,22 m (48 po) du bord de la piscine. Voir l'illustration 1 à la page 7.
- La niche de la lumière GloBrite doit être correctement installée pour que le bord supérieur de la lentille de la lumière GloBrite se trouve au moins à 10,16 cm (4 po) sous la surface de l'eau de la piscine ou du spa (sans dépasser 1,22 m [48 po] au Canada).
- Pour s'assurer que le système électrique de la piscine ou du spa respecte toutes les exigences applicables, l'électricien doit également consulter le service de la construction régional.

INSTALLATION DU MANCHON ET DE LA NICHE DE LA LUMIÈRE GLOBRITE (LORSQUE LES EXIGENCES ÉLECTRIQUES RESPECTÉES)

Il existe trois types de niche pour lumière DEL GloBrite pour piscine et spa :
Ciment/gunite, fibre de verre ou revêtement de vinyle.

Remarque : La niche de la lumière GloBrite doit être installée dans la paroi ou sur la paroi de la piscine (ou de toute autre installation aquatique) en plaçant le dessus de la lentille au moins à 10,16 cm (4 po) sous le niveau d'eau normal de la piscine. La lumière GloBrite peut également être installée au fond de la piscine (éclairant vers le haut).

INSTALLATION DU DISPOSITIF DE LUMIÈRE BLANCHE GLOBRITE® (PISCINE NOUVELLEMENT CONSTRUITE)

Ce qui suit décrit l'installation du dispositif de lumière blanche GloBrite®.

AVANT DE COMMENCER : Les informations qui suivent décrivent les tâches à compléter par l'électricien *avant* l'installation du dispositif de lumière. Voir l'illustration 1 à la page 7.



Assurez-vous que la piscine ou le spa respecte les exigences actuelles de l'Article 680-22 du Code national de l'électricité (NEC), ainsi que tous les codes et toutes les ordonnances de votre région. L'installation doit être effectuée par un électricien certifié qui devra s'assurer que les exigences réglementaires sont satisfaites, voire dépassées, avant d'installer la lampe subaquatique. Les exigences du Code national de l'électricité devant être respectées par le système électrique de la piscine incluent :

- Le circuit du luminaire dispose d'un disjoncteur de fuite à la terre pour les modèles d'une tension secteur de 120 VCA, ainsi qu'un disjoncteur de catégorie appropriée. Les conducteurs du côté charge du circuit disjoncteur de fuite à la terre n'occupent aucune conduite, boîte ou enceinte contenant d'autres conducteurs, à moins que ces autres conducteurs soient également protégés par un disjoncteur de fuite à la terre. Consulter les codes locaux en vigueur pour obtenir plus de détails.
- La boîte de jonction et le transformateur basse tension se trouvent au moins à 20,3 cm (8 po) au-dessus du sol et au moins à 1,22 m (48 po) du bord de la piscine. Voir l'illustration 1 à la page 7.
- La niche de la lumière blanche GloBrite doit être correctement installée pour que le bord supérieur de la lentille de la lumière blanche GloBrite se trouve au moins à 10,16 cm (4 po) sous la surface de l'eau de la piscine ou du spa (sans dépasser 1,22 m [48 po] au Canada).
- Pour s'assurer que le système électrique de la piscine ou du spa respecte toutes les exigences applicables, l'électricien doit également consulter le service de la construction régional.

INSTALLATION DU MANCHON ET DE LA NICHE DE LA LUMIÈRE BLANCHE GLOBRITE (LORSQUE LES EXIGENCES ÉLECTRIQUES RESPECTÉES)

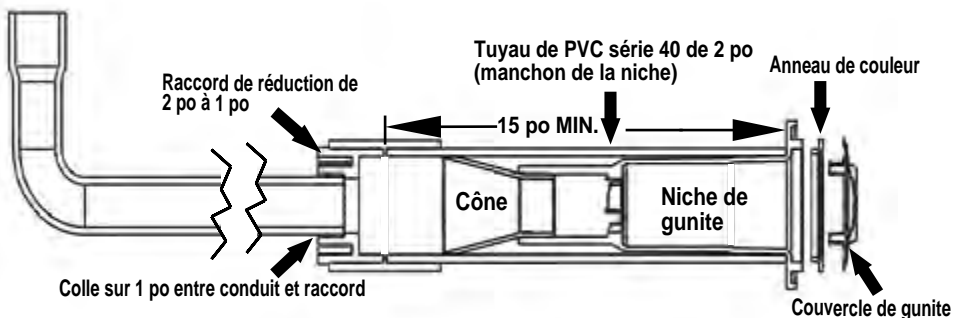
Il existe trois types de niche pour lumière blanche GloBrite pour piscine et spa : Ciment/gunite, fibre de verre ou revêtement de vinyle.

Remarque : La niche de la lumière blanche GloBrite doit être installée dans la paroi ou sur la paroi de la piscine (ou de toute autre installation aquatique) en plaçant le dessus de la lentille au moins à 10,2 cm (4 po) sous le niveau d'eau normal de la piscine. La lumière blanche GloBrite peut également être installée au fond de la piscine.

Installation du manchon et de la niche de la lumière blanche GloBrite® pour une piscine de ciment/gunite – Option 1 et Option 2 (voir pages 5 et 6)

Option 1 : Manchon de la niche avec cône (le cône est utilisé lorsque la niche est installée après le branchement du conduit au manchon de 2 po)

1. **Installer le manchon** : Déterminer la position sur la paroi verticale de la piscine ou du spa où la lumière doit être installée. Le sommet de la lentille de la lumière doit se trouver au moins à 10,2 cm (4 po) sous le niveau d'eau normal. Voir l'illustration 1 à la page 7 pour consulter les exigences de profondeur exactes.
2. Installer un tuyau de PVC série 40 de 5 cm (2 po) et d'une longueur de 38,1 cm (15 po) à l'emplacement voulu du manchon de la niche de la lumière.
3. Permettre à 2,54 cm (1 po) ou plus du tuyau de PVC de 5 cm (2 po) de dépasser de chaque côté de la paroi durant l'application de gunite. Couper tout excédant du tuyau afin qu'il affleure à la paroi avant le plâtrage.
4. Coller un raccord de réduction de 5 cm (2 po) x 2,54 cm (1 po) du côté arrière du manchon de la niche.
5. Coller le conduit de 2,54 cm (1 po) dans le raccord de réduction, comme illustré ci-dessous dans le « Schéma d'installation de l'option 1 ». S'assurer que le tuyau de PVC série 40 de 5 cm (2 po) permet d'assembler la longueur totale de la niche, du cône et du raccord de réduction.
6. Coller le cône dans la niche de gunite (le cône est utilisé pour guider le fil de tirage de la boîte de jonction jusqu'à la niche).
7. Appliquer le ciment à PVC à l'intérieur du manchon. Glisser la niche de gunite dans le manchon jusqu'à ce qu'il affleure la paroi de gunite.
8. Installer l'anneau blanc souhaité à l'avant de la niche.
Remarque : Si les codes régionaux l'exigent, installer la lumière dans la niche, tel que décrit à la page 9.
9. En utilisant le couvercle de la niche pour sceller l'avant de la niche, insérer le couvercle de gunite sur l'avant de la niche. Ceci protège la cavité de refroidissement de la niche durant le plâtrage. Remarque : Si aucun couvercle de gunite n'est disponible, utiliser du ruban-cache pour protéger la lentille et la cavité de refroidissement durant le plâtrage.
10. Appliquer l'enduit de gunite sur la paroi de la piscine jusqu'au bord extérieur du couvercle de gunite. Le couvercle de gunite doit être la seule partie exposée de la niche une fois le plâtrage terminé.
11. Une fois le plâtrage terminé, retirer et jeter le couvercle de gunite.

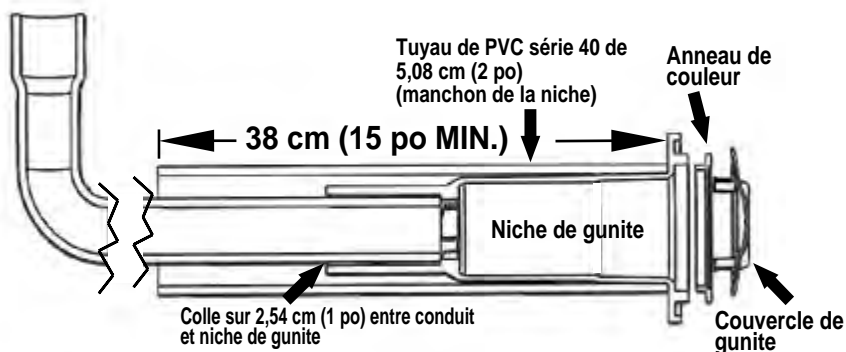


Option 1 : Manchon de la niche avec cône – Schéma d'installation

Option 2 : Installer le conduit vers la niche de la lumière

Pour installer le conduit sur la niche de la lumière blanche GloBrite® :

1. **Installer le manchon** : Déterminer la position sur la paroi verticale de la piscine ou du spa où la lumière doit être installée. Le sommet de la lentille de la lumière doit se trouver au moins à 10,2 cm (4 po) sous le niveau d'eau normal. Voir l'illustration 1 à la page 7 pour consulter les exigences de profondeur exactes.
 2. Installer un tuyau de PVC série 40 de 5 cm (2 po) et d'une longueur de 38,1 cm (15 po) à l'emplacement voulu du manchon de la niche de la lumière.
 3. Permettre à 2,5 cm (1 po) ou plus du tuyau de PVC de 5 cm (2 po) de dépasser de chaque côté de la paroi durant l'application de gunite. Couper tout excédant du tuyau afin qu'il affleure à la paroi avant le plâtrage.
 4. Tirer le fil de tirage et le cordon d'alimentation de la lumière dans le conduit de 2,54 cm (1 po) et le manchon de PVC série 40 de 5 cm (2 po).
 5. Coller le conduit de 2,54 cm (1 po) au dos du conduit illustré ci-dessous dans le « Schéma d'installation de l'option 2 ».
 6. Coller le cône dans la niche de gunite (le cône est utilisé pour guider le fil de tirage de la boîte de jonction jusqu'à la niche).
 7. Appliquer le ciment à PVC à l'intérieur du manchon. Glisser la niche de gunite dans le manchon jusqu'à ce qu'il affleure la paroi de gunite.
 8. Installer l'anneau blanc souhaité à l'avant de la niche.
- Remarque : Si les codes régionaux l'exigent, installer la lumière dans la niche, tel que décrit à la page 9.
9. En utilisant le couvercle de la niche pour sceller l'avant de la niche, insérer le couvercle de gunite sur l'avant de la niche. Ceci protège la cavité de refroidissement de la niche durant le plâtrage. Remarque : Si aucun couvercle de gunite n'est disponible, utiliser du ruban-cache pour protéger la lentille et la cavité de refroidissement durant le plâtrage.
 10. Appliquer l'enduit de gunite sur la paroi de la piscine jusqu'au bord extérieur du couvercle de gunite. Le couvercle de gunite doit être la seule partie exposée de la niche une fois le plâtrage terminé.
 11. Une fois le plâtrage terminé, retirer et jeter le couvercle de gunite.



Option 2 : Du conduit à la lumière – Schéma d'installation

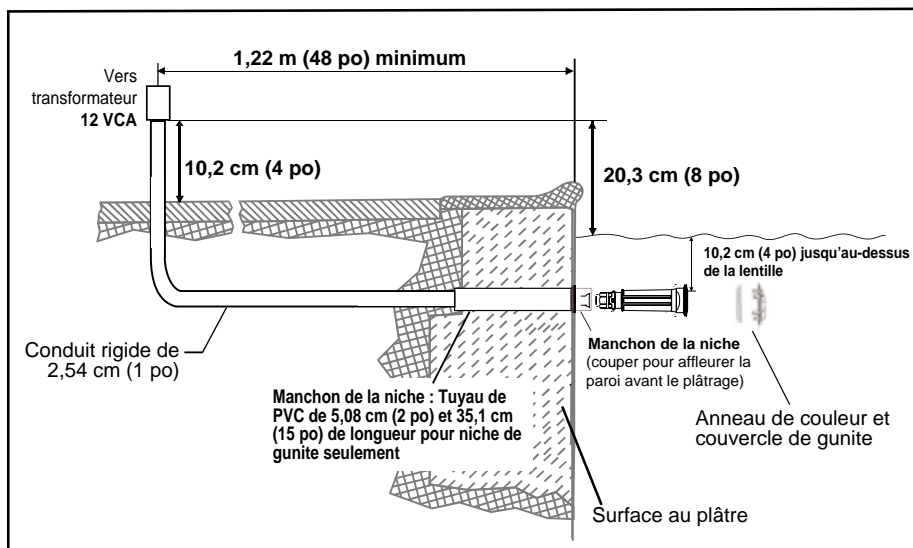


Illustration 1 : Schéma d'installation de la lumière pour gunite

Installation de la niche de la lumière blanche GloBrite® pour une piscine de fibre de verre

Pour installer la niche de la lumière blanche GloBrite® dans une piscine de fibre de verre :

1. Percer ou perforez un trou de 5 cm (2 po) à l'endroit voulu pour la niche de la lumière GloBrite.
2. Placer le joint d'étanchéité sur la niche, tel qu'illustré ci-dessous.
3. Insérer la niche dans l'ouverture de 5 cm (2 po) pratiquée dans la paroi de la piscine.
4. Installer la rondelle de PVC au dos de la niche.
5. Installer l'écrou de plastique au dos de la niche. Resserrer l'écrou à la main pour verrouiller la niche en place.
6. Coller le conduit de 2,54 cm (1 po) au dos de la niche.

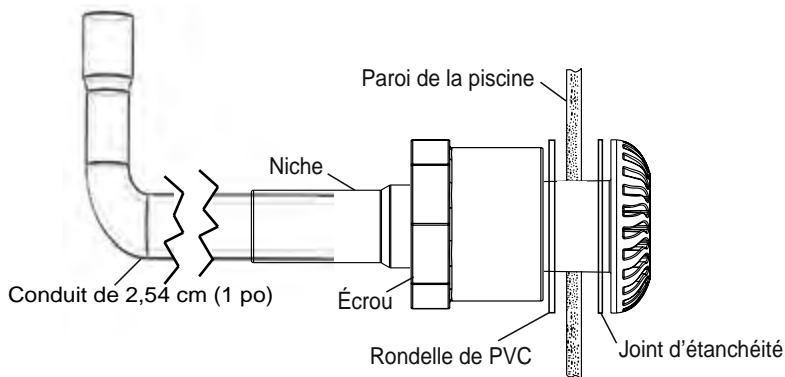
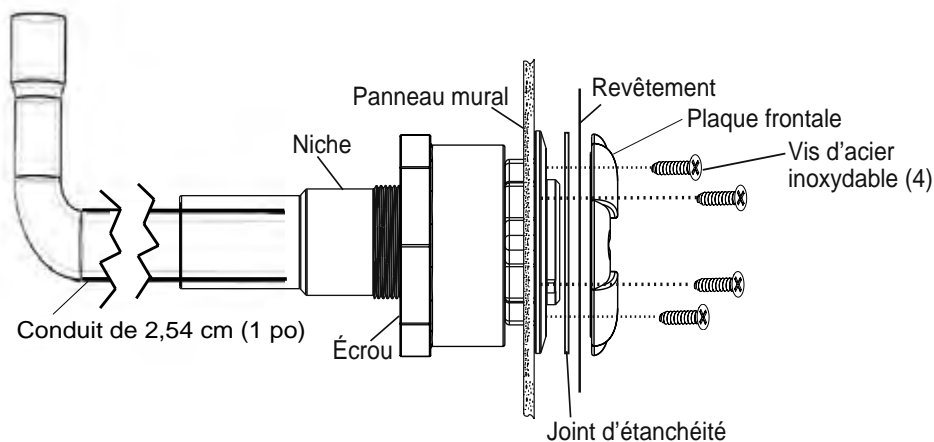


Schéma d'installation de la niche de la lumière blanche GloBrite (piscine de fibre de verre)

Installation de la niche de la lumière blanche GloBrite® dans une piscine de vinyle

Pour installer la niche de la lumière blanche GloBrite® dans une piscine au revêtement de vinyle :

1. Percer un trou de 7,62 cm (3 po) à l'endroit voulu pour la niche de vinyle de la lumière.
2. De l'intérieur de la piscine, insérer la niche dans l'ouverture de 7,62 cm (3 po).
3. Installer l'écrou de plastique au dos de la niche. Resserrer l'écrou à la main pour verrouiller la niche en place.
4. Placer le joint d'étanchéité à l'avant de la niche, tel qu'illustré ci-dessous.
5. Installer le revêtement de vinyle.
6. Installer le conduit. Voir l'illustration 1 à la page 7.
7. À l'aide des languettes d'alignement de la niche, aligner avec soin la plaque frontale et la niche. Une fois la plaque frontale alignée, percer le revêtement à travers la plaque frontale et installer une vis à la fois.
8. À l'aide d'un tournevis cruciforme n° 2, resserrer à la main chaque vis pour fixer le couvercle en place. **ÉVITER DE TROP SERRER LES VIS. NE PAS UTILISER UN OUTIL MOTORISÉ POUR SERRER LES VIS.** Un serrage excessif ou l'utilisation d'un tournevis motorisé sur les vis de l'anneau d'étanchéité risque de forcer le filet des vis et d'endommager le boîtier ou le revêtement d'étanchéité de vinyle de la niche.

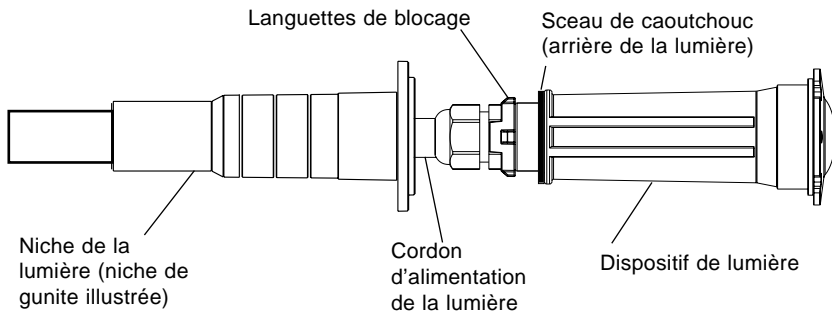


INSTALLATION DU DISPOSITIF DE LUMIÈRE BLANCHE GLOBRITE® (APRÈS L'INSTALLATION DE LA NICHE)

Pour installer la lumière blanche GloBrite® dans une niche de gunite, de fibre de verre ou de vinyle :

1. Diriger le cordon d'alimentation de la lumière GloBrite à travers l'avant de la niche, jusqu'à l'emplacement du transformateur pour piscine 12 VCA ou de la boîte de jonction.
2. Au lieu désigné, couper tout excédant du cordon. Laisser au moins 15,2 cm (6 po) de cordon dans la boîte de jonction ou dans le transformateur pour faciliter l'installation de la lumière et l'inspection de la niche. Couper tout excédant du cordon. Voir l'illustration 1 à la page 7.
3. Retirer la gaine extérieure du cordon afin d'exposer les deux (2) conducteurs isolés. Dénuder les deux conducteurs. S'assurer de ne pas endommager le conducteur de cuivre.
4. Raccorder les deux (2) conducteurs aux fils correspondants dans la boîte de jonction (fil noir à l'alimentation, fil blanc au conducteur commun). Mettre en place le couvercle de la boîte de jonction.
5. **Installer le nouveau dispositif de lumière GloBrite :** Pousser la lumière dans la niche tout en tirant sur le cordon d'alimentation à partir de la boîte de jonction ou du transformateur, en s'assurant que les languettes de blocage à l'arrière de la lumière sont correctement alignées avec les ouvertures de la niche (à l'intérieur de la niche).

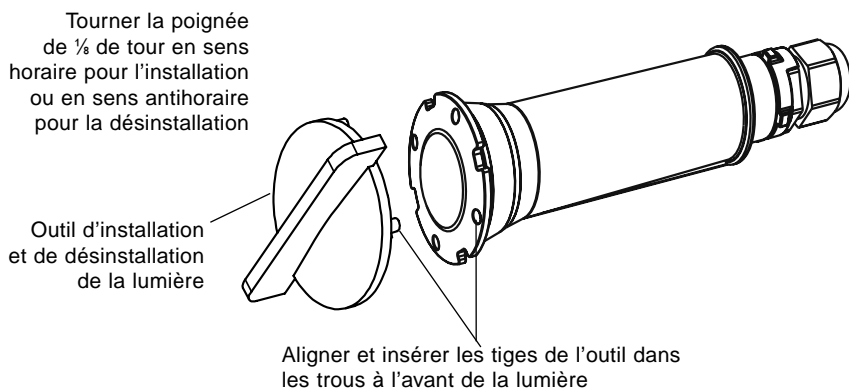
Remarque : Si vous utilisez des câbles de grande longueur ou plusieurs lumières par transformateur, il est recommandé d'utiliser la prise 13 VCA ou 14 VCA du transformateur.



Niche et lumière GloBrite

6. Placer l'outil d'installation de la lumière (N/P 620057) sur le devant de la lumière. Tourner l'outil et la lumière en sens horaire (moins de 0,3175 cm [$\frac{1}{8}$ de tour]), tout en poussant vers l'intérieur, jusqu'à ce que l'outil ne tourne plus. Ceci indique que la lumière est bien ancrée et verrouillée et que la niche est complètement scellée.

Remarque : Si la lumière tourne mal, tirer la lumière légèrement vers l'extérieur et s'assurer qu'elle est bien appuyée et que la niche ne présente aucun débris, puis installer la lumière comme indiqué à l'étape 6.



Outil d'installation et de désinstallation de la lumière blanche GloBrite®

7. Avant d'utiliser la lumière blanche GloBrite, remplir la piscine d'eau jusqu'à ce que la lumière soit complètement immergée.

Remarque : La lumière blanche GloBrite ne doit pas être alimentée plus de 30 secondes lorsqu'elle n'est pas immergée.

8. **Dernière vérification pour une bonne utilisation de la lumière GloBrite :** Allumer l'interrupteur principal ou le disjoncteur au transformateur 12 VCA et l'interrupteur contrôlant la lumière GloBrite elle-même. La lumière devrait s'allumer lorsque l'alimentation 12 VCA est activée. Sinon, vérifier les étapes d'installation.

REPLACEMENT DU DISPOSITIF DE LUMIÈRE GLOBRITE® (DANS UNE PISCINE OU UN SPA EXISTANT)



Risque de décharge électrique ou d'électrocution!

Cette lumière aquatique doit être installée par un électricien dûment certifié ou autorisé ou un professionnel en réparation de piscine qualifié conformément au Code national de l'électricité (NEC), au NFPA 70 ou au Code canadien de l'électricité (CEC), au CSA C22.1 et à tout code ou à toute ordonnance en vigueur de la région. Une installation incorrecte constitue un danger électrique qui pourrait causer la mort ou des blessures graves pour les utilisateurs de la piscine, les installateurs ou toute autre personne en cas de décharge électrique, ainsi que des dommages matériels.

Toujours couper l'alimentation de la lumière de piscine au niveau du disjoncteur avant d'intervenir sur la lumière. Le non-respect de cette consigne peut engendrer la mort ou des blessures graves par décharge électrique au réparateur, aux utilisateurs de la piscine ou à d'autres personnes.

AVIS IMPORTANT : LA LUMIÈRE GLOBRITE NE PEUT PAS ÊTRE RÉPARÉE. LE DISPOSITIF COMPLET DOIT ÊTRE REMPLACÉ.



Assurez-vous que la piscine ou le spa respecte les exigences actuelles de l'Article 680-22 du Code national de l'électricité (NEC), ainsi que tous les codes et toutes les ordonnances de votre région. L'installation doit être effectuée par un électricien certifié qui devra s'assurer que les exigences réglementaires sont satisfaites, voire dépassées, avant d'installer la lampe subaquatique. Les exigences du Code national de l'électricité devant être respectées par le système électrique de la piscine incluent :

- La boîte de jonction et le transformateur basse tension sont situés au moins à 10,16 cm (4 po) au-dessus du sol ou à 20,3 cm (8 po) au-dessus du niveau d'eau maximal, selon la valeur la plus élevée. La boîte de jonction doit se trouver au moins à 1,22 m (48 po) du bord de la piscine. Voir l'illustration 1 à la page 7.
- La niche de la lumière GloBrite doit être correctement installée pour que le bord supérieur de la lentille de la lumière GloBrite se trouve au moins à 10,16 cm (4 po) sous la surface de l'eau de la piscine ou du spa (sans dépasser 1,22 m [48 po] au Canada).
- Pour s'assurer que la piscine ou le spa respecte toutes les exigences applicables, l'électricien doit également consulter le service de la construction régional.

REPLACEMENT DU DISPOSITIF DE LUMIÈRE GLOBRITE® (LORSQUE LES EXIGENCES ÉLECTRIQUES RESPECTÉES)

Les instructions d'installation et de désinstallation qui suivent décrivent comment installer ou retirer le dispositif de lumière GloBrite®.

AVIS IMPORTANT : LA LUMIÈRE GLOBRITE NE PEUT PAS ÊTRE RÉPARÉE. LE DISPOSITIF COMPLET DOIT ÊTRE REMPLACÉ.



La mise en place d'un système électrique de piscine ou de spa respectant les exigences des codes en vigueur avant l'installation de la lumière aquatique est cruciale pour éviter un danger électrique qui pourrait causer la mort ou des blessures graves pour les utilisateurs de la piscine, les installateurs ou toute autre personne en cas de décharge électrique, ainsi que des dommages matériels.

1. **Couper le courant ou le disjoncteur à la source.**
2. Retirer le couvercle de la boîte de jonction ou du transformateur. Débrancher les fils de la lumière et fixer un fil de tirage au cordon d'alimentation de la lumière installée. *Ceci vous aidera à tirer le cordon d'alimentation de la lumière de rechange à travers le conduit jusqu'à la boîte de jonction.*
3. **Retirer le dispositif de lumière GloBrite de l'eau de la piscine ou du spa :** À l'aide de l'outil d'installation fourni (N/P 620057), tourner le dispositif de lumière en sens antihoraire d'environ $\frac{1}{4}$ de tour pour sortir la lumière de la niche (tel qu'illustré à la page 10).
4. Tirer lentement sur la lumière et son cordon d'alimentation (avec le fil de tirage fixé) pour les sortir de la niche. Retirer le cordon d'alimentation et le fil de tirage de la niche et poser la lumière sur le bord de la piscine.
5. Fixer le nouveau cordon d'alimentation au fil de tirage et insérer avec soin le fil et le cordon jusqu'à la boîte de jonction.
6. **Installer la lumière dans la niche :** Placer l'outil d'installation de la lumière sur le devant de la lumière. Tourner l'outil et la lumière en sens horaire tout en poussant vers l'intérieur, jusqu'à ce que l'outil ne tourne plus. Ceci indique que la lumière est bien ancrée et verrouillée et que le conduit électrique est complètement scellé (voir la page 10).
Remarque : Si la lumière tourne mal, tirer la lumière légèrement vers l'extérieur et s'assurer qu'elle est bien appuyée et que la niche ne présente aucun débris, puis installer la lumière comme indiqué à l'étape 5.
7. Brancher les deux (2) conducteurs aux fils correspondants dans la boîte de jonction (fil noir à l'alimentation, fil blanc au conducteur commun) et remettre en place le couvercle de la boîte de jonction.
8. **Dernière vérification pour une bonne utilisation de la lumière GloBrite® :** Allumer l'interrupteur principal ou le disjoncteur au transformateur 12 VCA et l'interrupteur contrôlant la lumière elle-même. La lumière devrait s'allumer lorsque l'alimentation 12 VCA est activée. Sinon, vérifier les étapes d'installation.

BRANCHEMENT DES LUMIÈRES BLANCHES GLOBRITE® AU CENTRE D'ALIMENTATION DES SYSTÈMES DE CONTRÔLE EASYTOUCH® OU INTELLITOUCH® ET À UN RELAIS AUXILIAIRE

 **DANGER**

D A N G E R !

RISQUE DE DÉCHARGE ÉLECTRIQUE OU D'ÉLECTROCUTION

Toujours couper l'alimentation CA vers le centre d'alimentation des systèmes de contrôle EasyTouch et IntelliTouch au disjoncteur avant l'entretien ou le retrait du PANNEAU AVANT « HAUTE TENSION ». Le non-respect de cette consigne peut engendrer la mort ou des blessures graves par décharge électrique à l'installateur, au réparateur, aux utilisateurs de la piscine ou à d'autres personnes.

1. **Centre d'alimentation du système de contrôle EasyTouch ou IntelliTouch :**
Déverrouiller le loquet à ressort de la porte du boîtier, puis ouvrir la porte.
2. **Décharger l'énergie électrostatique avant de retirer le couvercle en touchant d'abord la partie métallique du boîtier.**
3. Desserrer les deux (2) vis de retenue du PANNEAU AVANT « HAUTE TENSION ». Retirer le panneau du boîtier.
4. Relier le cordon d'alimentation de la lumière blanche GloBrite à un relais auxiliaire du centre d'alimentation EasyTouch/IntelliTouch.
5. Brancher le côté 120 volts d'un transformateur 12 VCA au CÔTÉ CHARGE de l'un des relais auxiliaires (AUX) du centre d'alimentation.
6. Brancher le conducteur neutre du transformateur 12 VCA à la barre omnibus neutre du centre d'alimentation.
7. Une fois le raccordement complété, fermer le panneau de commande, puis le fixer solidement à l'aide des deux (2) vis de retenue.
8. Fermer la porte avant du module de charge. Fixer le loquet à ressort.

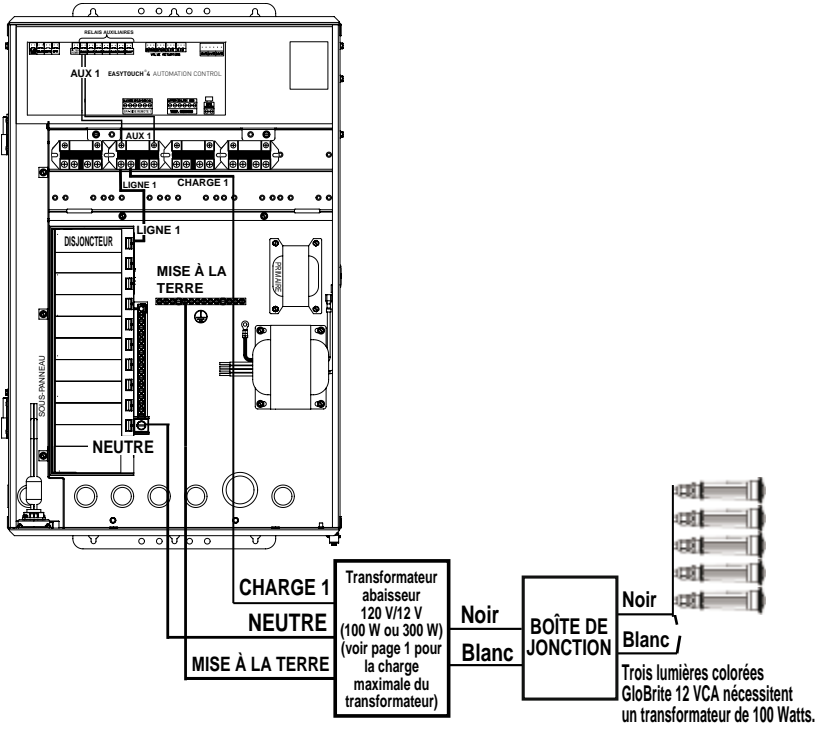


Schéma de câblage du centre d'alimentation des systèmes de contrôle EasyTouch® et IntelliTouch®

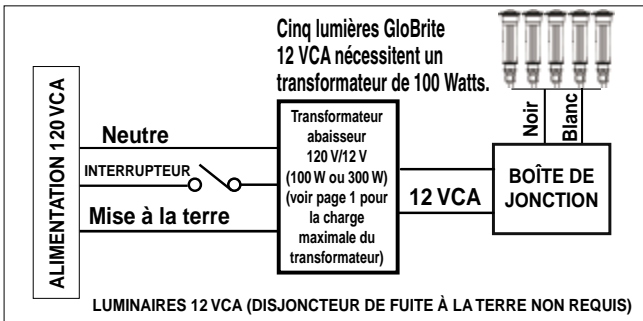


Schéma de câblage de la lumière blanche GloBrite® avec interrupteur mural

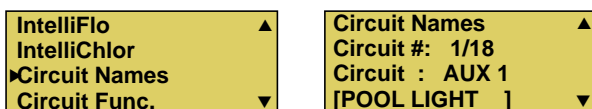
CONFIGURATION DES LUMIÈRES BLANCHES GLOBRITE® AVEC LES SYSTÈMES DE CONTRÔLE EASYTOUCH® ET INTELLITOUCH®

Système de contrôle EasyTouch®

Ce qui suit décrit comment configurer la lumière blanche GloBrite® à partir du panneau de commande intérieur ou du panneau de commande sans fil du système de contrôle EasyTouch®. Vous pouvez contrôler les spectacles de lumières à partir du panneau de commande du système de contrôle EasyTouch.

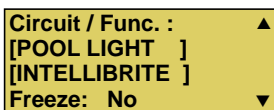
Pour configurer un circuit de lumière GloBrite : Assigner le « nom du circuit de lumière » au circuit relais (exemple : AUX 3 nommé « Pool Light » [Lumière piscine]) ainsi que sa « fonction ». Assigner le circuit « Pool Light » (Lumière piscine) dans le menu Circuit Func. (fonctions circuit) comme circuit « light » (de lumière) (IntelliBrite). Une fois le nom et la fonction du circuit assignés, le nom de circuit de lumière « Pool Light » (Lumière piscine) peut être configuré dans le menu CONFIG en ce qui a trait à sa position, à sa couleur, etc.

Pour assigner un nom de circuit, aller sous : MENU > SETTINGS (paramètres) > CIRCUIT NAMES (noms de circuits)



1. Appuyer sur le **bouton Haut/Bas** pour sélectionner un numéro de circuit de 1 à 18. Appuyer deux fois sur le bouton Haut pour sélectionner **AUX 1** et choisir ce circuit comme interrupteur de circuit de lumière. Le numéro de circuit (1 à 18) correspond à son nom de circuit assigné.
2. Appuyer sur le **bouton Haut/Bas** pour faire défiler la liste de noms prédéfinis. Sélectionner un nom tel que « Pool Light » (Lumière piscine). AUX 1 est maintenant assigné au nom de circuit « Pool Light » (Lumière piscine).

Pour assigner une fonction de circuit, aller sous : MENU > SETTINGS (paramètres) > CIRCUIT FUNC. (fonctions de circuits)



3. Appuyer sur le bouton Menu pour revenir au menu Settings (paramètres). Appuyer sur le bouton Bas pour sélectionner « Circuit Func. » (fonctions de circuit). Appuyer sur le bouton Droite pour accéder au menu Circuit Func. (fonctions de circuit).
4. Appuyer sur le **bouton Haut/Bas** pour sélectionner le nom de circuit déjà assigné « Pool Light » (Lumière piscine).
5. Appuyer sur le **bouton Droite** pour consulter les fonctions de circuit à assigner au circuit de lumière « Pool Light » (Lumière piscine).
6. Appuyer sur le **bouton Haut/Bas** pour sélectionner le type de fonction de circuit de lumière à utiliser. Sélectionner « INTELLIBRITE » pour la fonction du circuit de lumière GloBrite.
7. Appuyer sur le bouton Menu trois fois pour revenir à l'écran principal.

Utilisation des lumières GloBrite : La lumière blanche GloBrite® est prête à utiliser à l'aide du bouton 1 du panneau de commande EasyTouch (circuit auxiliaire 1). Pour accéder au menu Lights (lumières) pour les *caractéristiques spéciales des lumières*, appuyer sur **Menu > Lights** (lumières). Les paramètres du menu Lights (lumières) sont : MODES, COLORS (couleurs), ALL ON (toutes allumées), ALL OFF (toutes éteintes), SYNC (synchronisées), MAGICSTREAM (fontaine magique), CONFIG (configuration). À partir de l'écran Modes, vous pouvez contrôler les spectacles de lumières colorées. Pour accéder au menu Modes, appuyer sur Menu > Lights (lumières) > Modes. Voir la page 2 pour les spectacles de lumières colorées GloBrite.

Système de contrôle IntelliTouch®

Ce qui suit décrit la configuration de la lumière blanche GloBrite® à partir du panneau de commande du système de contrôle IntelliTouch®. Vous pouvez contrôler les spectacles de lumières à partir du panneau de commande du système de contrôle IntelliTouch®. Pour accéder aux écrans de la lumière GloBrite, à partir du panneau de commande intérieur du système de contrôle IntelliTouch ou du panneau de commande du régulateur sans fil MobileTouch® :

Assignment d'un nom de circuit

Pour identifier la lumière GloBrite branchée aux circuits auxiliaires (AUX 1, AUX 2) dans le centre d'alimentation IntelliTouch, vous devez assigner le nom de circuit de lumière GloBrite aux circuits auxiliaires correspondants du panneau de commande intérieur IntelliTouch. Sélectionner un nom de circuit parmi la liste offerte pour la lumière GloBrite branchée au relais auxiliaire installé dans le centre d'alimentation IntelliTouch.

Assignment d'un nom de circuit à la lumière GloBrite : Pour assigner un nom de circuit à la lumière GloBrite, aller sous : **MENU > SETUP (configuration) > ADVANCED (avancé) > CIRCUIT NAMES (noms de circuit) > ASSIGN CIRCUIT NAMES (assigner un nom de circuit) > DISPLAY (affichage).**

Sélectionner DISPLAY Screen (écran d'affichage) 1, 2, 3 ou 4 : Les circuits auxiliaires contrôlant l'équipement de piscine ou de spa peuvent être contrôlés à partir de l'écran « Display » (affichage) du panneau de commande intérieur ou du panneau de commande sans fil MobileTouch. Sélectionner le bouton à côté de Display (affichage) 1, 2, 3 ou 4 affichera à l'écran les circuits appartenant à ce centre d'alimentation particulier. Des circuits de caractéristique (« Feature Circuits ») peuvent également être assignés à partir de cet écran.

Pour assigner un nom de circuit à un écran d'affichage spécifique :

Écran 1 – Cet écran affiche le nom des circuits de la pompe à filtre, des modes de piscine ou de spa et de tous les circuits auxiliaires haute tension branchés au centre d'alimentation principal.

Écran 2 – Cet écran affiche le nom des circuits auxiliaires supplémentaires branchés au premier centre d'expansion (centre d'alimentation).

Écran 3 – Cet écran affiche le nom des circuits auxiliaires supplémentaires branchés au deuxième centre d'expansion (centre d'alimentation).

Écran 4 – Cet écran affiche le nom des circuits auxiliaires supplémentaires branchés au troisième centre d'expansion (centre d'alimentation).

Pour assigner un nom de circuit de lumière GloBrite pour l'ÉCRAN PRINCIPAL :

1. Sélectionner le bouton à côté de Display #1 (affichage 1). Les noms de circuit proposés sont ceux qui s'afficheront à l'écran principal. Remarque : Si un centre d'alimentation d'expansion est installé, sélectionner l'écran 2, 3 ou 4 correspondant, soit l'écran associé à ce centre d'alimentation d'expansion.
2. À partir de l'écran Main Display (affichage principal), appuyer sur le bouton à côté d'AUX 1. Une petite flèche pointant vers AUX 1 s'affiche.
3. Utiliser les boutons Haut et Bas au bas de l'écran pour faire défiler la liste alphabétique des noms d'équipement prédéfinis. Choisir le nom d'équipement correspondant à l'étiquette pour le bouton 1 du panneau de commande extérieur du centre d'alimentation.
4. Continuer à nommer les autres circuits auxiliaires (AUX 2, AUX 3, etc.) : Après avoir sélectionné le nom d'équipement à utiliser pour AUX 1, appuyer sur le bouton à côté d'AUX 2 et choisir un nom de circuit. La petite flèche indique le circuit sélectionné pour être nommé.
5. Répéter ce processus pour assigner les autres équipements aux circuits à l'écran.
6. Lorsque tous les équipements ont reçu un nom de circuit, appuyer sur le bouton Save (enregistrer). Appuyer sur le bouton Exit (quitter) pour revenir à l'écran principal.
7. **POUR SUIVRE À LA PAGE SUIVANTE pour configurer les « fonctions de circuit » GloBrite.**

Configurer une fonction de circuit pour la lumière blanche GloBrite®

Pour configurer un circuit AUX afin de contrôler la lumière blanche GloBrite®, assigner à la fonction de circuit de lumière un circuit de relais auxiliaire (AUX 1), puis assigner un nom de circuit à ce circuit de lumière. Le nom du circuit de lumière apparaîtra sur l'écran principal. Chaque lumière GloBrite doit également recevoir une fonction de circuit.

Pour assigner un nom de circuit à une lumière GloBrite, aller sous : MENU > SETUP (configuration) > ADVANCED (avancé) > CIRCUIT FUNCTIONS (fonctions de circuit)

Configurer une fonction de circuit de lumière GloBrite : Assigner un nom de circuit à chaque circuit relais auxiliaire de lumière, puis assigner à ce circuit relais de lumière la fonction « INTELLIBRITE » dans la section « CIRCUIT FUNCTIONS » (fonctions de circuit).

Pour configurer la fonction de circuit de lumière GloBrite (utiliser le nom de circuit « IntelliBrite ») :

1. Appuyer sur le bouton à côté du bouton AUX (le circuit relais auxiliaire branché à la lumière GloBrite [IntelliBrite]).
2. Appuyer sur le bouton à droite ou à gauche d'« INTELLIBRITE » (PREV ou NEXT [précédent ou suivant]). Faire défiler les fonctions de circuit jusqu'à ce qu'« INTELLIBRITE » s'affiche.
3. Appuyer sur le bouton SAVE (enregistrer) au bas de l'écran. Appuyer sur le bouton EXIT (quitter) pour revenir à l'écran principal.

Assigner le circuit de lumières GloBrite à l'écran Lights (lumières) :

4. Appuyer sur le bouton Lights (lumières) au bas de l'écran.
5. Appuyer sur le bouton à droite de « CONFIGURE » (configurer).
6. Appuyer sur le bouton à côté de « NONE » (aucun) pour assigner un circuit de lumière IntelliBrite au bouton sélectionné. Les noms de lumière peuvent être configurés pour s'afficher à gauche pour les caractéristiques « spa » et à droite pour les caractéristiques « piscine ».
7. Appuyer sur le bouton en haut à gauche ou à droite pour faire défiler les circuits de lumière disponibles pour les caractéristiques d'éclairage GloBrite (IntelliBrite). Sélectionner le nom de circuit que vous souhaitez utiliser. Les noms de circuit affichés sont des noms assignés précédemment lors de la sélection de fonctions de circuit.

Utilisation et sélection du mode blanc GloBrite (lumière blanche IntelliBrite®)

Caractéristiques de lumière spéciales : Jusqu'à douze (12) circuits de lumière IntelliBrite peuvent être affichés sur l'écran Lights (lumières) principal (caractéristiques de lumière spéciales). À partir de l'écran Lights (lumières), vous pouvez activer les caractéristiques de lumière IntelliBrite (nage colorée, ensemble de couleurs, etc.), à condition que chaque lumière GloBrite (IntelliBrite) dispose de son propre relais et d'un circuit distinct.

Dépannage (lumières blanches GloBrite)

Problème	Cause/Action
La lumière ne s'allume pas.	Vérifier le câblage du disjoncteur de fuite à la terre et réinitialiser au besoin.
La lumière ne fonctionne pas correctement.	Vérifier le raccordement électrique de la lumière à la boîte de jonction au bord de la piscine et à l'interrupteur CA. S'assurer qu'une alimentation CA adéquate est acheminée à la lumière.

Dépannage (régulateur IntelliBrite®)

Problème	Cause/Action
Les deux DEL clignotent.	Le régulateur IntelliBrite a détecté que la charge a dépassé la puissance maximale permise ou que la sortie est court-circuitée. 1. Éteindre le régulateur IntelliBrite. Retirer la charge excessive ou le court-circuit. 2. Appuyer sur l'interrupteur du régulateur IntelliBrite pour allumer l'appareil. S'assurer que les DEL ne clignotent plus.
La lumière ne s'allume pas.	Vérifier le câblage de la fuite à la terre et réinitialiser au besoin.
La lumière ne fonctionne pas correctement.	Vérifier le raccordement électrique de la lumière à la boîte de jonction au bord de la piscine et au disjoncteur principal. S'assurer qu'une alimentation CA adéquate est acheminée à la lumière.

Liste des pièces et trousse de remplacement de la lumière blanche GloBrite®

Lumières GloBrite

N° de pièce	Description
602053	Cordon de 30 pi 12 VCA GloBrite
602054	Cordon de 50 pi 12 VCA GloBrite
602055	Cordon de 100 pi 12 VCA GloBrite
602056	Cordon de 150 pi 12 VCA GloBrite

Ensembles GloBrite

N° de pièce	Description
619993	Combinaison gunite 1 – 1 GloBrite de 100 pi avec transformateur 300 W et une (1) niche de gunite
619994	Combinaison gunite 2 – 2 GloBrite de 100 pi avec transformateur 300 W et deux (2) niches de gunite
620051	Combinaison fibre de verre 1 – 1 GloBrite de 100 pi avec transformateur 300 W et une (1) niche de fibre de verre
620052	Combinaison fibre de verre 2 – 2 GloBrite de 100 pi avec transformateur 300 W et deux (2) niches de fibre de verre
620080	Combinaison vinyle 1 – 1 GloBrite de 100 pi avec transformateur 300 W et une (1) niche de vinyle
620081	Combinaison vinyle 2 – 2 GloBrite de 100 pi avec transformateur 300 W et deux (2) niches de vinyle

Niches pour lumière GloBrite

N° de pièce	Description
620039	Niche de vinyle pour GloBrite
620040	Niche de gunite pour GloBrite
620041	Niche de fibre de verre pour GloBrite
620093	Niche de fibre de verre pour GloBrite (bleue)
620094	Niche de fibre de verre pour GloBrite (grise)

Trousse de remplacement pour lumière GloBrite

N° de pièce	Description
620055	Fibre de verre (rondelle et joint)
620056	Anneau de couleur (anneau de couleur et couvercle de plâtrage)
620057	Joint torique (joint torique, outil d'insertion)
620058	Écrou (écrou de fibre de verre/vinyle)
620314	Ecran Anti-Eblouissement
602136	Vinyle, bleue, joint (3), plaque frontale (bleue), vis (12)
602137	Vinyle, gris, joint (3), plaque frontale (gris), vis (12)
602138	Vinyle, blanche, joint (3), plaque frontale (blanche), vis (12)

Accessoire: GloBrite Ecran Anti-Eblouissement (P/N 620314 – facultatif et vendu séparément)



1620, HAWKINS AVE., SANFORD, NC 27330 • 919-566-8000
10951, WEST LOS ANGELES AVE., MOORPARK, CA 93021 • 805-553-5000

WWW.PENTAIR.COM

Tous les logos et toutes les marques de commerce Pentair sont la propriété de Pentair, Inc. Pentair Aquatic Systems™, GloBrite®, IntelliFlo®, IntelliBrite®, EasyTouch®, IntelliTouch®, SunTouch®, IntelliChlor®, MobileTouch® et SAM® sont des marques de commerce ou des marques déposées de Pentair Water Pool and Spa, Inc. ou de ses sociétés affiliées aux États-Unis ou dans d'autres pays. Sauf indication expressément contraire, les noms et les marques de tiers qui peuvent être utilisés dans le présent document ne sont pas utilisés pour indiquer une affiliation ou une approbation entre les propriétaires de ces marques et Pentair Water Pool and Spa, Inc. Ces noms et ces marques peuvent être des marques de commerce ou des marques déposées de ces tiers. Parce que nous améliorons constamment nos produits, Pentair se réserve le droit de changer ses caractéristiques sans avis préalable. Pentair offre l'égalité d'accès à l'emploi.

© 2020 Pentair Water Pool and Spa, Inc. Tous droits réservés.

Ce document peut être modifié sans avis préalable.



N/P 17302 RÉV D 1/2020