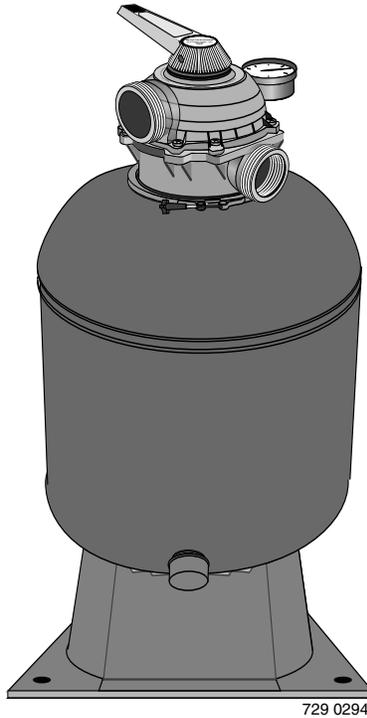


STA-RITE®

CRISTAL-FLO™ HIGH RATE SAND FILTERS

O W N E R ' S M A N U A L



729 0294

INSTALLATION, OPERATION & PARTS

MODELS

T-150BP-1 T-170BP-1 T-200BP-1 T-240BP-1 T-300BP-2



This manual should be furnished to the end user of this filter; its use will reduce service calls and chance of injury and will lengthen filter life.

Sta-Rite Pool/Spa Group

Pentair Pool Products, Inc.

1620 Hawkins Ave.
Sanford, NC 27330
Tel 919-774-4151 • Fax 919-774-4841



Because reliability matters most

© 2005, Sta-Rite Industries

S242 (Rev. B 6/28/06)

HIGH RATE SAND FILTERS

To avoid unneeded service calls, prevent possible injuries, and get the most out of your filter, READ THIS MANUAL CAREFULLY!

The Sta-Rite Top Mounted Series High Rate Sand Filter:

- Is designed to filter water for swimming pools.
- Is an excellent performer; durable, reliable.

Table of Contents

Safety Instructions	2-3
Dimensions/Specifications	4
General Information	5
Installation	5-7
Filter Mount/Piping	5
Filter Set-up	6
Loading Sand Media	6
Valve Installation	6
Startup/Operation	7
Maintenance	8
Water Maintenance	8
Storage/Winterizing	8-10
Mult-Port Valve Service	9
Drain Fitting Installation/Removal	10
Troubleshooting Guide	11
Repair Parts List	12-13
Pressure Drop Curve	14
Warranty	15

READ AND FOLLOW SAFETY INSTRUCTIONS!

 This is the safety-alert symbol. When you see this symbol on your valve or in this manual, look for one of the following signal words and be alert to the potential for personal injury.

 **DANGER** warns about hazards that **will** cause serious personal injury, death or major property damage if ignored.

 **WARNING** warns about hazards that **can** cause serious personal injury, death or major property damage if ignored.

 **CAUTION** warns about hazards that **will** or **can** cause minor personal injury or property damage if ignored.

The label **NOTICE** indicates special instructions which are important but not related to hazards.

Carefully read and follow all safety instructions in this manual and on filter.

Keep safety labels in good condition.
Replace missing or damaged safety labels.



Incorrectly installed or tested equipment may fail, causing severe injury or property damage. Read and follow instructions in owner's manual when installing and operating equipment. Have a trained pool professional perform all pressure tests.

1. Do not connect system to a high pressure or city water system.
2. Use equipment only in a swimming pool installation.
3. Trapped air in system can cause explosion. BE SURE all air is out of system before operating or testing equipment.

Before pressure testing, make the following safety checks:

- Check all clamps, bolts, lids, and system accessories before testing.
- BE SURE all air is out of system before testing.
- Tighten Sta-Rite trap lids to 30 ft. lbs. (4.1 kg-cm) torque for testing.
- Water pressure for test must be less than 25 PSI (172 kPa).
- Water temperature for test must be less than 95° F. (35° C).
- Limit test to 24 hours. After test, visually check system to be sure it is ready for operation. Remove trap lid and retighten hand tight only.

NOTICE: These parameters apply to Sta-Rite equipment only. For non-Sta-Rite equipment, consult manufacturer.

	<p>⚠ DANGER</p>	<p>BEFORE WORKING ON FILTER:</p>
	<p>Hazardous Pressure! Can cause severe injury or major property damage from tank explosion.</p>	<ol style="list-style-type: none"> 1. Stop pump. 2. Open air release valve. 3. Release all pressure from system.
	<p>⚠ WARNING</p>	<p>BEFORE WORKING ON PUMP OR MOTOR</p>
	<p>Filter pumps require hazardous voltage which can shock, burn, or cause death.</p>	<p>Disconnect power to motor.</p>

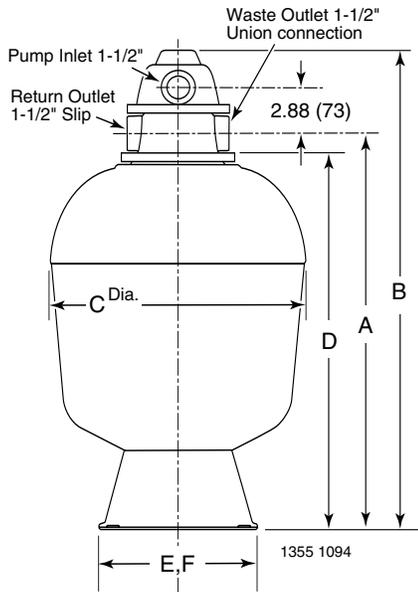


Fig. 1: Dimensions, T-150BP-1, T-170BP-1 T-200BP-1, T240BP-1

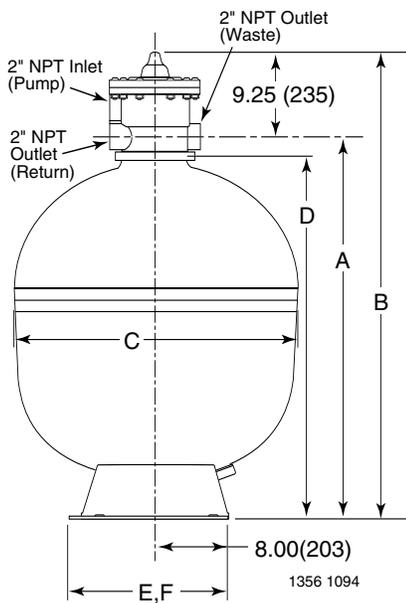


Fig. 2: Dimensions, T-300BP-2, T240BP-2

See Page 14 for Pressure Drop Curve.

RECOMMENDED SAND GRADES:

Use only: #20 Silica Sand, Size Range .40-.55mm., Uniformity Coefficient less than 1.75.

NOTICE: Use of other sands will reduce filter performance, may damage pump, and will void warranty.

Recommended:

1. Wedron Silica/Best Sand Co., Sand Grade: Wedron .45-.55mm., Effective Size .46mm, Uniformity Coefficient 1.22.
2. U.S. Silica - Silurian Filter Sand, Sand Grade.45-.55 mm., Effective Size .48mm, Uniformity Coefficient 1.18.

TABLE I - FILTER OPERATIONAL DATA

Filter Model	Filter Size		Max. Flow Rate in GPM (L/M)
	Dia. in Inches (mm)	Area in Ft ² (M ²)	
T-150BP-1	15 (381)	1.26 (.117)	25.2 (95)
T-170BP-1	17 (432)	1.57 (.146)	31.5 (123)
T-200BP-1	20 (508)	2.18 (.203)	43.6 (165)
T-240BP-1	24 (610)	3.10 (.288)	62.0 (234.7)
T-240BP-2	24 (610)	3.10 (.288)	62.0 (234.7)
T-300BP-2	30 (762)	4.90 (.455)	98 (371)

Filter Model	Turnover in Hours				Sand Volume in lbs. (kg.)
	6	8	10	12	
	gal. (L)	gal. (L)	gal. (L)	gal. (L)	
T-150BP-1	9,070(34 330)	12,100(45 799)	15,120(57 229)	18,144(68 675)	100 (45.4)
T-170BP-1	11,340(42 922)	15,120(57 229)	18,900(71 536)	22,680(85 844)	150 (68)
T-200BP-1	15,700(59 424)	20,930(79 220)	26,160(99 016)	31,390(118 811)	200 (90.7)
T-240BP-1	22,230(84 481)	29,760(112 642)	37,200(140 802)	44,640(168 962)	300 (136)
T-240BP-2	22,230(84 481)	29,760(112 642)	37,200(140 802)	44,640(168 962)	300 (136)
T-300BP-2	35,280(133 535)	47,040(178 046)	58,800(222 558)	70,560(267 070)	600 (272)

*NOTE: 1 cubic foot of sand weighs approx. 100 lbs. (45.4 kg). Do not use finer or coarser grade than recommended for best performance.

TABLE II - DIMENSIONAL DATA In Inches (mm)

Filter Model No.	A	B	C	D	Base Width (E)	Base Length (F)	Piping Port Size
T-150BP-1	27 (686)	33-13/16 (859)	15-3/4 (400)	24-11/16 (627)	13 (330)	16-1/4 (413)	1-1/2" SLIP
T-170BP-1	29-9/16 (751)	36-3/8 (924)	17-3/4 (451)	27-1/4 (692)	13 (330)	16-1/4 (413)	1-1/2" SLIP
T-200BP-1	31-5/8 (803)	38-1/2 (978)	20-3/4 (527)	29-3/8 (746)	13 (330)	16-1/4 (413)	1-1/2" SLIP
T-240BP-1	35-3/16 (897)	42 (1067)	24-3/4 (629)	32-7/8 (835)	16-7/8 (429)	21 (533)	1-1/2" SLIP
T-240BP-2	35-1/4 (895)	44-1/2 (1130)	24-3/4 (629)	32-7/8 (835)	16-7/8 (429)	21 (533)	2" (NPT)
T-300BP-2	42 (1067)	51-1/4 (1302)	31 (787)	39-5/8 (1008)	16-7/8 (429)	21 (533)	2" (NPT)

GENERAL INFORMATION

- Clean a new pool as well as possible before filling pool and operating filter. Excess dirt and large particles of foreign matter in the system can cause serious damage to the filter and pump.

⚠ NEVER test this filter with compressed air.

⚠ Do not operate filter at water temperatures above 95°F (35°C).

⚠ NEVER operate this filter system at more than 50 pounds per square inch (50 PSI/345 kPa) pressure!

INSTALLATION

Installation of filter should only be done by qualified, licensed personnel.

For assembly and filling instructions, see page 6.

Filter mount must:

- Provide weather and freezing protection.
- Provide space and lighting for easy access for routine maintenance. (See Figures 1 and 2, Table II, Page 4, for space requirements.)
- Be on a reasonably level surface and provide adequate drainage.
- Be as close to pool as possible to reduce line loss from pipe friction.

Piping:

- Piping must conform to local/state plumbing and sanitary codes.
- Use pipe joint sealing compound or teflon tape on all male connections of metal pipe and fittings (except unions). Use teflon tape or Plasto-Joint Stik¹ on all male connections of plastic pipe and fittings. **DO NOT use pipe dope on plastic pipe; it will cause the pipe to crack. Do not use sealant or tape on unions – assemble them dry and hand tight.**
- Do not damage union sealing surfaces and “O” Rings.
- Support pipe independently to prevent strains on filter or valve.
- Use 1-1/2 or 2” pipe to reduce pressure losses as much as possible.
NOTICE: Filter may be located away from pool, but for adequate flow larger pipe may be needed. Check local codes when considering remote installation.
- Fittings restrict flow; for best efficiency use fewest possible fittings.
- Keep piping tight and free of leaks: pump suction line leaks may cause trapped air in filter tank or loss of prime at pump; pump discharge line leaks may show up as dampness or jets of water.
- When unions are provided, use as follows for leak free connections:
 1. O-Ring and sealing surfaces must be clean.
 2. Assemble hand tight only (**no wrenches**).
 3. No pipe compound or teflon tape on unions.

Valves:

- A check valve installed between filter and heater will prevent hot water from backing up into filter and deforming internal components.
- Use care before assembly not to damage union sealing surfaces or O Ring.

Wastewater:

- Be sure all provisions for waste water disposal meet applicable local, state or national codes. 100 gallons (379 liters) or more of pool water will be discharged during filter backwashing. Do not discharge where water will cause flooding or damage.

¹ Lake Chemical Co., Chicago, IL

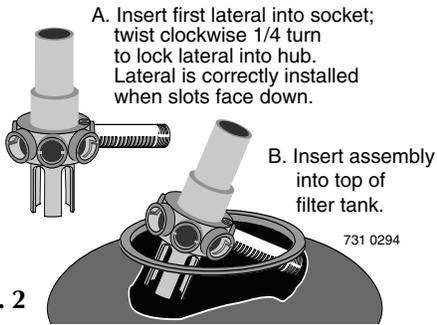


Fig. 2

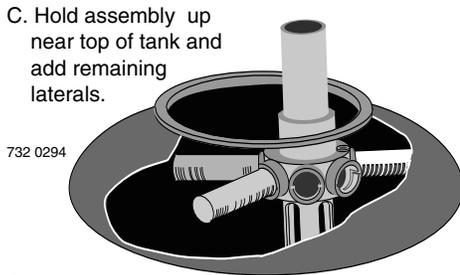


Fig. 3

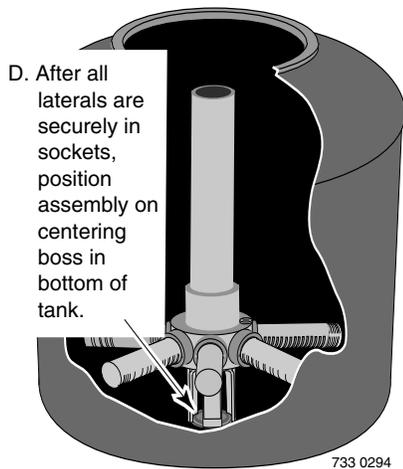


Fig. 4

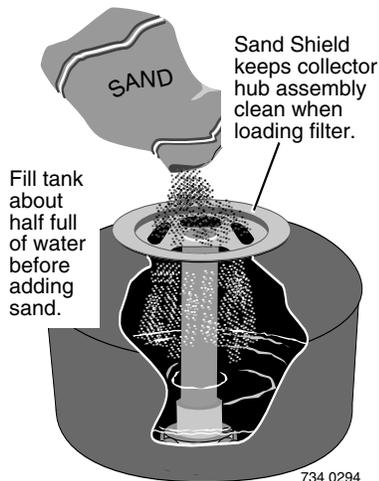


Fig. 5

Filter Setup

Assembly: See Figures 2 through 5 for filter assembly.

Loading Sand Media

1. To keep sand out of collector assembly, place plastic sand shield over top of collector tube before pouring sand into filter (See Figure 5).
2. To support laterals and prevent lateral breakage during loading, fill tank about half full of water before loading sand.
3. Pour sand into filter tank. See Page 4, for correct type and quantity of sand to use.

NOTICE: Make sure gasket area on top of tank is free of sand before installing valve and clamp.

4. Before installing valve, double-check that correct quantity of sand has been loaded (see Page 4).
5. Remove plastic sand loading shield and keep for future use.

Valve Installation:

See Figures 6, 7, and 8

1. Install O-Ring on valve flange; make sure O-Ring is clean, dry, and has no nicks, tears, or scrapes.
2. Make sure tank and valve flanges are clean and free of sand; put valve on top of tank. Vertical pipe of collector assembly inserts into base of valve.
3. Install clamp; make sure knob is positioned for easy access for filter maintenance. Valve port labeled "PUMP" should point toward pump.
4. Tighten clamp knob until clamp ends (under bolt) are 1/4" (6mm) apart. Tap around outside of clamp with a mallet to help seat clamp.

▲ WARNING Hazardous pressure. Clamp will not hold unless it is seated properly! DO NOT START PUMP until clamp ends are 1/4" (6mm) apart or less.

5. If clamp will not pull up to 1/4" (6mm) gap, wait 15-30 minutes and retighten. Tap clamp gently with mallet to help seat clamp.
6. Connect pipe from pump discharge to valve port labeled "PUMP"; use union half provided. Assemble union as follows for leakfree operation:
 - A. O-Ring and sealing surfaces must be clean.
 - B. Assemble hand tight only (no wrenches).
 - C. NO pipe compound or teflon tape on unions.
7. Complete all plumbing connections (see Page 5 for piping requirements).
 - A. Pipe from valve RETURN port to pool return.
 - B. Pipe from valve WASTE port to waste.
 - C. Suction piping from pool to trap inlet on pump.
8. System is ready for startup.

NOTICE: If there are leaks from beneath valve/clamp area, STOP PUMP, release all pressure, remove clamp and valve and clean sealing surfaces.

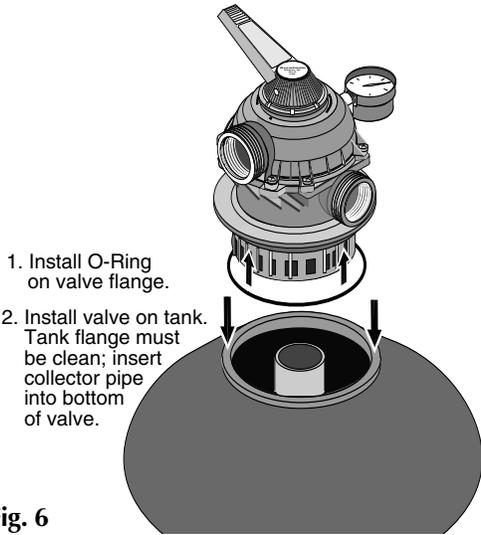


Fig. 6

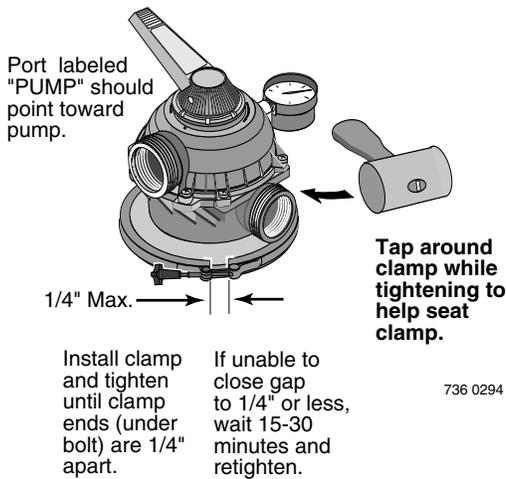


Fig. 7

Startup/Operation (See Figure 9)

⚠ WARNING Hazardous pressure. To avoid explosion and possible severe or fatal injury, filter system pressure must not exceed 50 PSI (345 kPa) under any circumstances. NEVER test this filter system with compressed air; never operate system with water temperature above 95° F (35° C).

⚠ CAUTION To prevent equipment damage and possible injury, turn pump OFF before changing valve position.

NOTICE: Do not add chemicals directly into the pool skimmer. Adding undiluted chemicals may damage equipment and void warranty.

1. Open system valves and make sure pump is filled with water. Make sure pool water level is 2" (51 mm) above bottom of skimmer opening.

2. With pump OFF, set valve to 'BACKWASH' position.

3. Start pump, circulating water backwards through filter to waste. Do not install pressure gauge until a steady stream of water runs out of gauge port; then stop pump and install gauge.

NOTICE: To prevent pump from running dry, be sure water level never drops below bottom of skimmer inlet. Add water to pool if necessary to keep skimmer flooded while backwashing and rinsing.

4. Backwash until water runs clear (3-5 minutes).

5. Stop pump; set valve to 'RINSE' position.

6. Start pump; run pump for one minute.

7. Stop pump; set valve to 'FILTER' position.

8. Filter is now ready for service.

9. Record clean starting filter pressure gauge reading as a reference.

10. When pool is first filled, backwash once a day until pool water is sparkling clear. After that, backwash when pressure gauge shows 5 to 7 PSI (34.5 to 48 kPa) higher than starting pressure.

Valve Setting	Purpose/Flow	Valve Setting	Purpose/Flow	Valve Setting	Purpose/Flow
	FILTER Normal filtration and vacuuming; water goes through filter to pool.		BACKWASH Reverses flow for cleaning; water goes through filter to waste.		WASTE Lowers pool level or drains pool; water bypasses filter, goes to waste.
	RINSE For initial startup cleaning and sand bed leveling after backwash; water goes through filter to waste.		CLOSED Shuts off all flow to filter and pool.	743 029	
	RECIRCULATE Circulates pool water; bypasses filter.		WINTERIZE Leaves all valve ports partially open for winter storage.	737 029	
			738 029		

Fig. 8

Fig. 9: Valve settings for startup. Stop pump before changing valve position.

MAINTENANCE

General:

- Wash outside of filter with a mild detergent and water. Rinse off with hose.
NOTICE: DO NOT use solvents to clean filter; solvents may damage plastic components in system.
- Inspect sand bed at least once a year to remove foreign material which has not been backwashed out of system.
NOTICE: When the sand bed gets hard and crusty on top, remove all the old sand and replace it with new sand.

Weekly Pool Equipment Inspection:

1. Check pressure during operation. When pressure is 5 to 7 PSI (34.5 to 48 kPa) higher than initial operating pressure, backwash filter (see instructions under "Startup/Operation", Page 7).
2. Except during hot weather with heavy swimmer loads, operating filter 6 to 12 hours per day should be sufficient. Carefully monitor water chemical balance and follow recommendations of your local pool professional.

Water Maintenance

- Keep water level at least 2" (51mm) above bottom of skimmer opening. Failure to do so can allow air to enter system, causing pump to lose prime and air to enter filter.
- Maintain pH at 7.2 to 7.6 in pool.



To prevent damage to system components, keep water temperature below 95° F. (35° C) at all times.

Vacuum Pool:

1. Fill vacuum hose by submerging in water from one end to the other.
2. To vacuum, insert hose into skimmer suction manifold or into vacuum line in pool wall. See instructions provided by pool builder or pool manufacturer. Start pump, making sure it is primed and pumping.
3. After vacuuming, clean pump trap to remove accumulated debris, then check filter pressure gage. If reading is 5 to 7 PSI (34.5 to 48 kPa) higher than initial operating pressure, backwash filter.

Lower or Drain Pool

1. Turn pump 'OFF'; set valve handle to 'WASTE'.
2. Use vacuum cleaner hose and head.
3. Start pump; run until pool is lowered to desired level.
4. Turn pump 'OFF'; set valve handle to 'FILTER'.
5. Start pump.

STORAGE/WINTERIZING

CAUTION Pool chemicals may give off corrosive fumes. Store chemicals away from system in a well ventilated area.

NOTICE: Allowing water to freeze will damage filter and void warranty. If antifreeze is needed, use propylene glycol; it's plastic compatible and non-toxic. Follow manufacturers instructions. Do not use ethylene glycol based anti-freeze – it's toxic and it may damage plastic components.

1. Open all system valves. Set multiport valve at 'WINTERIZE' to allow air passage to all ports.

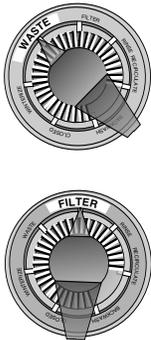


Fig. 10: Valve settings to lower pool water level. Stop pump before changing valve position.

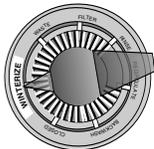
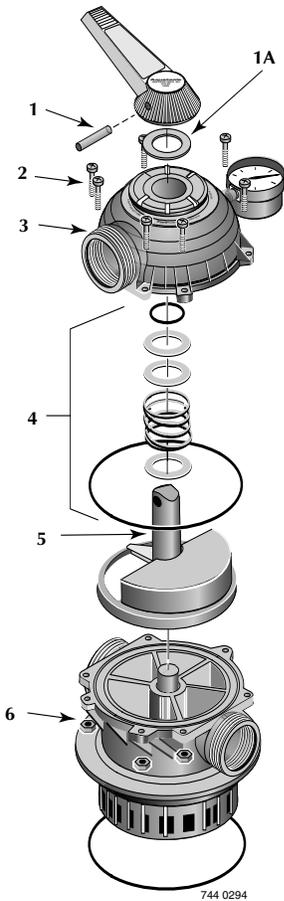
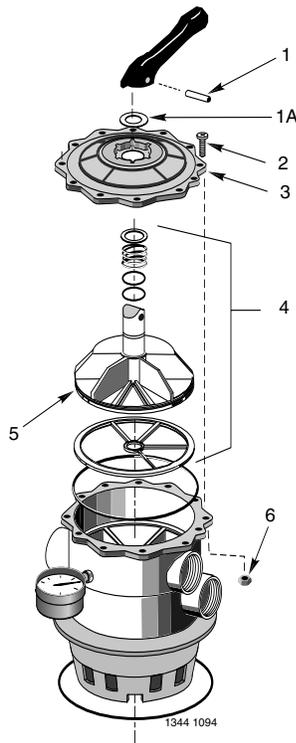


Fig. 11: Valve setting for winter storage. Stop pump before changing valve position.



**Fig. 12A: Valve Disassembly
(1-1/2" Multiport Valve)**



**Fig. 12B: Valve Disassembly
(2" Multiport Valve)**

2. Remove drain plug from filter.
3. Drain filter tank completely and replace drain cap (Figure 13, Page 10).
4. Cover with plastic or tarpaulin to protect from weather, but do not seal from air circulation.
5. Protect from freezing.

Startup for Winterized Equipment:

1. Remove any temporary weather protection placed around system for shut-down.
2. See "Startup", Page 7, for reactivation of the filter.
3. Inspect all electrical wiring to pump for damage or deterioration over the shutdown period. Have a qualified serviceman repair/replace wiring as needed. Inspect and tighten all watertight connections.
4. Open all valves in suction and return piping.
5. Remove any winterizing plugs in system.
6. Drain all winterizing chemicals (if used) from system; flush system.
7. Close all drain valves and replace all drain plugs in system (see Page 10).
8. Fill pool with water to proper level (see pool manufacturer's instructions).

MULTI-PORT VALVE SERVICE

▲WARNING Hazardous pressure. Stop pump and release all pressure from system before working on filter, valve, or clamp. Filter and valve design allows air to bleed off automatically in normal service. However, always be sure pressure is off system before working on filter, valve or clamp.

NOTICE: if Multi-Port valve is below pool water level, close suction and discharge valves before disassembly to prevent draining pool.

Handle Replacement:

1. Stop pump.
2. Place handle in 'FILTER' position.
3. Remove pin (Key 1, Figures 12A and 12B) to disconnect handle. If it cannot be removed by hand, use a hammer and center punch and lightly tap it out.
4. Remove handle; replace with a new one. Be sure new handle is in 'FILTER' position.
5. Replace pin.

Lid and Plug replacement:

1. **Remove Handle** (see 'Handle Replacement' above).
2. **Remove plug:**
 - A. Remove all screws and nuts (Key Nos. 2 and 6, Figures 12A and 12B).
 - B. Remove lid (Key No. 3) by pulling straight up while holding plug shaft (Key No. 5) down with thumb.
3. **Inspect Internal Parts:**
Inspect plug and gasket spring, O-Rings, and internal washers (Key No. 4). Replace if necessary.

4. Reassemble Valve:

- A. Replace plug gasket and shaft, mounting spring, washers, and O-Ring on plug shaft. Lubricate O-Ring with Amojel.
- B. Replace lid; match screw holes in lid and body.
- C. Press down on lid to allow screws to engage nuts; tighten each nut securely.
- D. Replace top washer (Key No. 1A) and handle, making sure indexing pin on plug shaft points in same direction as pointer on handle. Replace handle pin.
- E. Tighten all lid screws to 55 inch-lbs. (63.4 kg-cm) torque.

Valve Removal

⚠ WARNING Hazardous pressure. Stop pump and release all pressure from system before working on filter, valve, or clamp.

NOTICE: If multi-Port Valve is below pool water level, close suction and discharge valves before disassembly to prevent draining pool.

1. Disconnect piping from pump and pool.
2. Remove clamp.
3. Remove valve from filter top.
4. To reinstall valve, follow instructions, Figures 6 and 7, Page 7. BE SURE to follow clamp tightening instructions.

Drain Fitting Installation/Removal

NOTICE: If pool is above height of filter, first close valves in pump suction and return lines to prevent draining pool. If there are no shutoff valves installed, disconnect suction and return lines and raise ends above pool water level.

1. **Installation:** See Figure 13.
2. **To Drain Filter:**
 - A. Remove drain cap. Lateral tube should remain in place inside drain opening to prevent sand from draining out.
 - B. Open union coupling on backwash port of Multi-Port valve. This will allow air into filter and allow water to drain from filter tank.
 - C. Replace cap when tank is empty.
3. **Removing Sand From Filter:**
 - A. Remove both drain cap and slotted lateral tube (see Figure 13). Sand and water will drain from tank.
 - B. To completely flush filter tank of sand, remove top clamp and multiport valve and flush the inside of the tank with a hose.
 - C. Thoroughly clean sand from all parts and from tank drain opening before reassembling drain fitting.

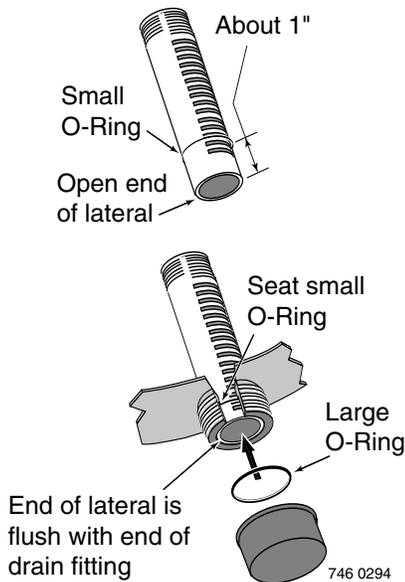


Figure 13: Drain Fitting Assembly.

This assembly allows water to drain without losing the sand out of the filter tank.

Make sure all surfaces are clean and free of sand. Don't cross thread cap; don't overtighten cap.

TROUBLESHOOTING GUIDE



1. Short Cycle between backwashes:

NOTICE: Time between backwashes will vary with each installation and between different areas of the country. Ask installer about normal backwash interval in your area. The following causes and remedies are for cycle times shorter than normal for your area.

- A. Flow rate too high or filter too small; consult dealer for system sizing recommendations.
- B. Water is chemically out of balance; consult pool serviceman.
- C. Excess dirt/dust in pool; vacuum pool directly to waste.
- D. Body oil/lotion build-up in filter; consult dealer for chemical filter cleaners and follow cleaner manufacturer's instructions.
- E. Filter inadequately backwashed. See instructions under "Startup/Operation", Page 7.
- F. Algae in pool. Consult pool professional about proper chemical maintenance.
- G. Residual chlorine level too low. Consult pool professional about proper chemical maintenance.
- H. Inspect filter sand for solidification caused by dust, calcium, skin oils, of suntan lotions.

2. Low Flow:

- A. Pipe blocked downstream from filter; remove obstruction.
- B. Piping too small; use larger pipe (consult dealer for sizing).
- C. Plugged pump; plugged hair and lint trap or skimmer basket. Clean thoroughly.

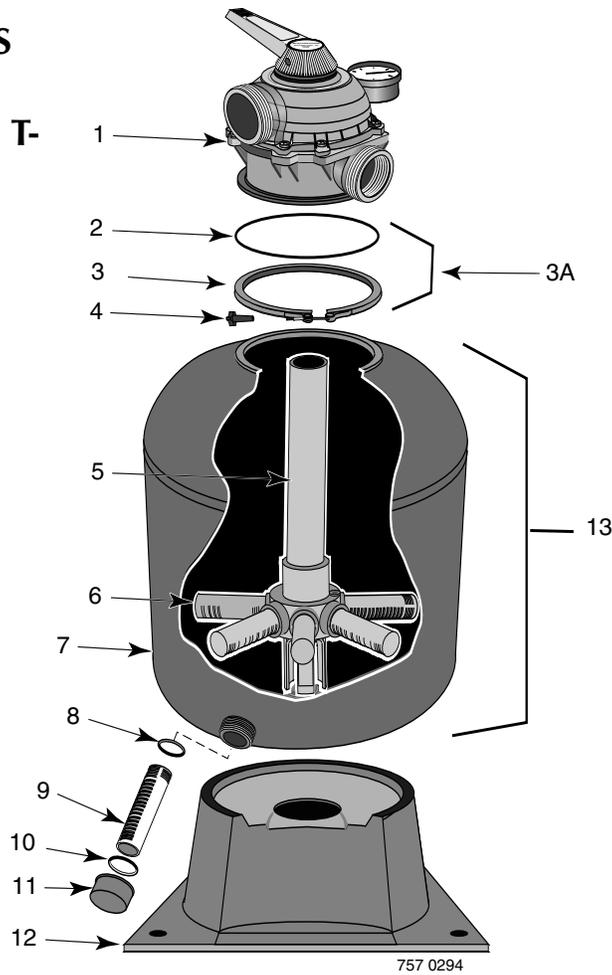
3. Pool Water Not Clear:

- A. Water is chemically out of balance; consult pool professional.
- B. Filter is too small; consult dealer about equipment sizing.
- C. Sand in pool means broken lateral. Drain both water and sand out of tank. Remove valve; follow procedure under "Filter Setup", Page 6, and instructions with new lateral to replace broken part.

⚠ WARNING To avoid severe injury or major property damage, follow instructions under 'Valve Installation', Figures 6 and 7, Page 7).

- 1. Follow valve removal procedure, Page 10.
- 2. Replace lateral according to instructions supplied with new lateral.
- 3. Reassemble filter according to instructions under "Filter Setup", Page 6.

REPAIR PARTS – TANKS
T-150BP-1, T-170BP-1,
T-200BP-1, T-240BP-1, T-
300BP-2



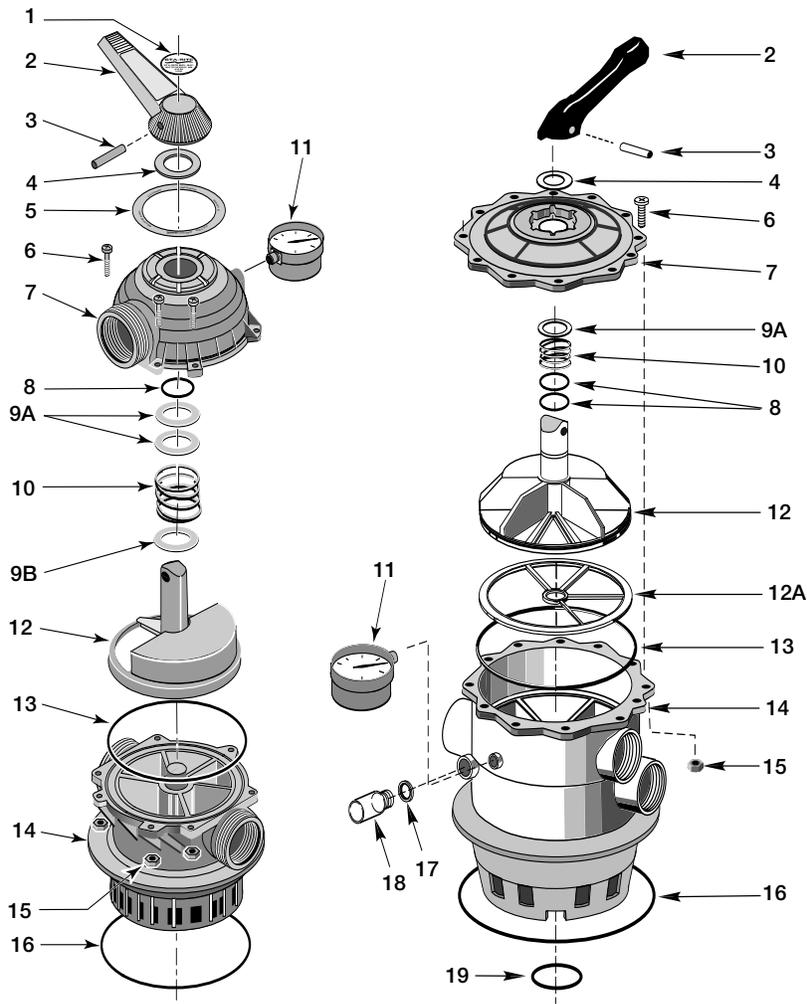
Key No.	Description	No. Used	Model				
			T-150BP-1	T-170BP-1	T-200BP-1	T-240BP-1	T-300BP-2
1	Multiport Valve, Top Mount (Includes Key Nos. 2 and 3)	1	WC112-148A	WC112-148A	WC112-148A	WC112-148A	14971-TM-22-L
2	O-Ring, Valve Flange	1	U9-369	U9-369	U9-369	U9-369	U9-369
3	V-Clamp w/Knob	1	WC119-87A	WC119-87A	WC119-87A	WC119-87A	WC119-87A
4	Clamp Knob	1	WC36-22	WC36-22	WC36-22	WC36-22	WC36-22
5	Collector Hub Assembly	1	24200-0110	WC137-516P	WC137-517P	WC137-519P	24205-0010
6	Lateral	8	24600-0003	24600-0003	24600-0003	24700-0075	21180-1530
7	Filter Tank	1	24200-1000	24201-1000	24203-1000	24204-1000	24205-1000
8	O-Ring, Lateral	1	U9-370	U9-370	U9-370	U9-370	U9-370
9	Drain Lateral	1	24201-0058	24201-0058	24201-0058	24201-0058	24201-0058
10	O-Ring, Drain Cap	1	U9-371	U9-371	U9-371	U9-371	U9-371
11	Drain Cap	1	14965-0025	14965-0025	14965-0025	14965-0025	14965-0025
12	Pedestal	1	23910-0005B	23910-0005B	23910-0005B	23900-0105B	23900-0205
13	Filter Tank Assembly	1	24200-0100	24201-0100	24203-0100	24204-0100	24205-0100
	• Union Coupling Package	3	C198-3M	C198-3M	C198-3M	C198-3M	–
	• Sand Loading Disc	1	24201-0043	24201-0043	24201-0043	24201-0043	24201-0063
	• Model & Instruction Label	1	32155-4115A	32155-4115B	32155-4115C	32155-4115D	90000-1329
	• Clamp Warning Decal	1	32165-4030	32165-4030	32165-4030	32165-4030	32165-4030
	• Information Decal	1	32155-4112	32155-4112	32155-4112	32155-4112	32155-4112

•Not Illustrated.

REPAIR PARTS – MULTI-PORT VALVES

WC112-148A

#14971-TM-22-L



1343 1094

Key No.	Part Description	Qty.	WC112-148A	14971-TM-22-L
1	Valve Handle Decal	1	14965-0021	—
2	Handle	1	14962-0032	14971-SM10E1
3	Dowel Pin	1	35857-0021	14971-SM10E2
4	Washer	1	14965-0007	14971-SM10E3
5	Operating Instruction Decal	1	14965-0020	—
6	Screw	1	37337-3056(7)	14971-SM10E4(10)
7	Valve Cover	1	14965-0011	14971-SM20E6
8	O-Ring	1	35505-1228	14971-SM10E10
9A	Washer	2	14965-0007	14971-SM10E8
9B	Washer	1	14965-0007	—
10	Spring	1	14965-0006	14971-SM10E9
11	Pressure Gauge	1	15060-0000T	15060-0000T
12	Plug & Gasket Assembly	1	14965-0028	14971-SM20E11
12A	Gasket	1	—	14971-SM20E12
13	Cover O-Ring	1	35505-1275	14971-SM20E7
14	Valve Body Assembly	1	14965-0013	14971-SM20E13
15	Nut	1	35407-0071(7)	14971-SM10E14(10)
16	Tank Flange O-Ring	1	U9-369	U9-369
17	Sight Glass Gasket	1	—	14971-SM20E17
18	Sight Glass	1	—	14971-SM10E16
19	Stand Pipe O-Ring (EPDM)	1	—	35505-1243

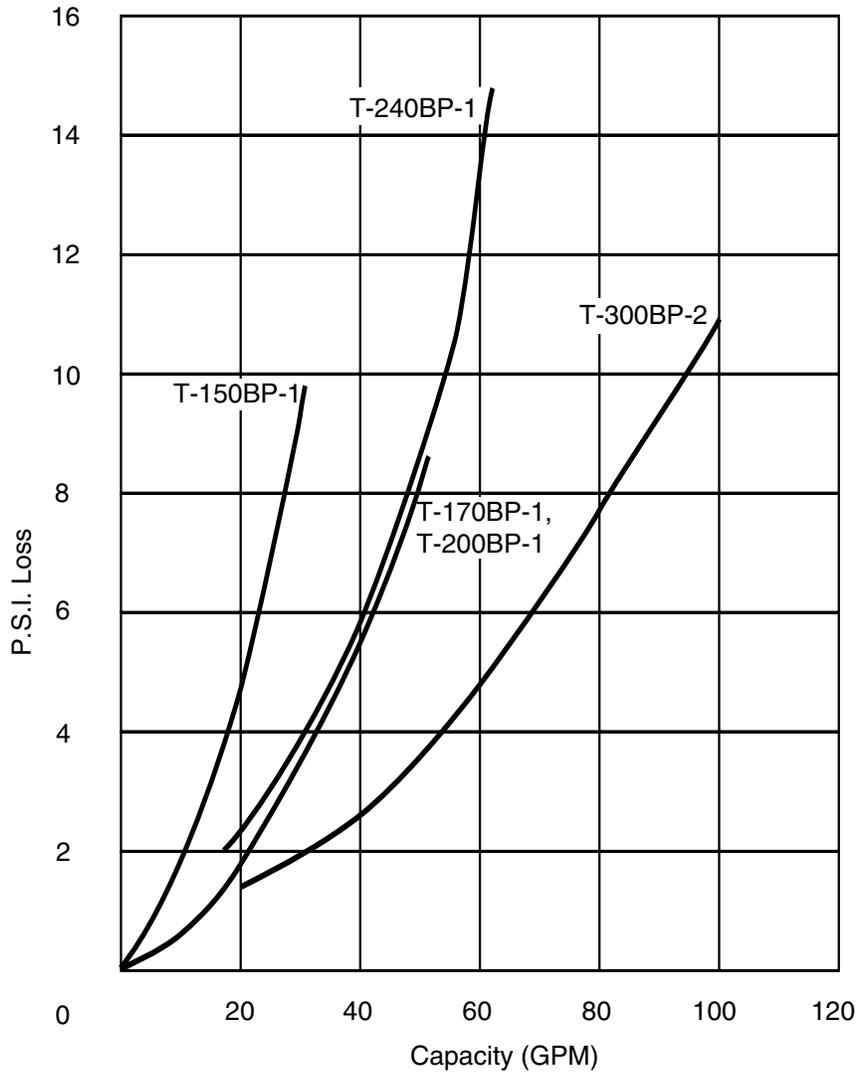


Figure 14 – Pressure Drop Curve - Filter Position

STA-RITE LIMITED WARRANTY

Pumps, filters, skimmers, underwater lights (excluding bulbs), accessories and fittings manufactured by Sta-Rite are warranted to be free of defects in material and/or workmanship for one (1) year from the original date of installation.

The foregoing warranties relate to the original consumer purchaser ("Purchaser") only. Sta-Rite Industries shall have the option to repair or replace the defective product, at its sole discretion. Purchasers must pay all labor and shipping charges necessary to replace the product covered by this warranty. Requests for warranty service must be made through the installing dealer. This warranty shall not apply to any product that has been subject to negligence, misapplication, improper installation or maintenance, or other circumstances which are not in Sta-Rite's direct control. Failure to have product installed by a professional in compliance with local codes will void any and all manufacturers warranty.

This warranty sets forth Sta-Rite's obligation and Purchaser's exclusive remedy for defective products.

STA-RITE SHALL NOT BE LIABLE FOR ANY CONSEQUENTIAL, INCIDENTAL OR CONTINGENT DAMAGES WHATSOEVER.

THE FOREGOING WARRANTIES ARE EXCLUSIVE AND IN LIEU OF ALL OTHER EXPRESS WARRANTIES. IMPLIED WARRANTIES, INCLUDING BUT NOT LIMITED TO THE IMPLIED WARRANTIES OF MERCHANTABILITY AND FITNESS FOR A PARTICULAR PURPOSE, SHALL NOT EXTEND BEYOND THE DURATION OF THE APPLICABLE EXPRESS WARRANTIES PROVIDED HEREIN.

Some states do not allow the exclusion or limitation of incidental or consequential damages or limitations on how long an implied warranty lasts, so the above limitations or exclusion may not apply to you. This warranty gives you specific legal rights and you may also have other rights which vary from state to state.

Supersedes all previous publications.

Product Specific Warranties (from date of installation)

Product Family	Limited Warranty	Exceptions
Filters	1 Year	System 3 Tank Bodies - 10 Yrs
Filter Valves	1 Year	
Pumps	1 Year	
Heaters	2 Years	*Commercial Application - 1 Yr
Controls	1 Year	
Above Ground Systems	1 Year	
Lights and Niches	1 Year	Lamps and Bulbs - 90 Days
White Goods	1 Year	
Maintenance Equipment	90 Days	
Drainer/Utility Pumps	90 Days	
Replacement Parts	90 Days	
Cleaners: Lil Shark	1 Year	
Cleaners: Calypso	1 Year	
Cleaners: Pool Shark	2 Years	Footpad and Seal Flaps - 1 Yr
Cleaners: Great White	2 Years	

* Commercial and multi-family application.

Retain this warranty certificate in a safe and convenient location for your records.

For technical information about this product, contact the installer or call Sta-Rite at 262-728-9181.

Visit www.staritepool.com

- for more information about Sta-Rite products listed above
- to locate a Sta-Rite dealer near you

CREATE A RECORD OF YOUR WARRANTY AT STA-RITE:

- Complete a warranty registration at www.staritepool.com by clicking on "Register Products" and selecting Sta-Rite Pool **OR**
- Complete bottom portion completely and mail within 10 days of installation to Sta-Rite, Attn.: Pool Warranty Dept., 293 Wright St., Delavan, WI 53115



Warranty Registration Card

Name _____

New installation Replacement

Address _____

Years pool has been in service less than 1 1-3 3-5 5-10

City _____ State _____ Zip _____

This product was purchased from:

Installation (or Purchase) Date _____

Company name _____

Product Purchased _____

Address _____

Model Number _____

City _____ State _____ Zip _____

Première installation Remplacement
 Années d'utilisation de la piscine moins de 1 an 1-3 3-5 5-10
Magasin où le produit a été acheté :
 Nom de la compagnie
 Adresse
 Ville Prov. Code postal

Nom
 Adresse
 Ville Province Code postal
 Date d'installation (ou d'achat)
 Produit
 Numéro de modèle



Carte d'enregistrement de garantie

• Remplissez le formulaire d'enregistrement de garantie disponible sur le site www.startitepool.com en cliquant sur « Register Products », puis sur Sta-Rite Pool OU
 • Remplissez le coupon ci-dessous et envoyez-le par la poste dans les 10 jours après l'installation à Sta-Rite, à l'attention du Service des garanties de piscine, 293 Wnght St., Delavan, WI 53115

ENREGISTREZ VOTRE CERTIFICAT DE GARANTIE CHEZ STA-RITE :

- Vous y trouverez une foule de renseignements sur les produits Sta-Rite mentionnés ci-dessus
- Vous trouverez l'adresse du concessionnaire Sta-Rite le plus près de chez-vous

Visitez notre site Web : www.startitepool.com

Pour obtenir les données techniques du produit, communiquez avec l'installateur ou appelez Sta-Rite au numéro (262) 728-9181.

Les pompes, les filtres, les écoumoirs, les appareils d'éclairage immergés (à l'exception des ampoules) et les raccords fabriqués par Sta-Rite sont garantis contre tout défaut de matériel et/ou de fabrication pendant un (1) an à compter de la date de la première installation. Cette garantie couvre le consommateur acheteur-utilisateur initial (« Acheteur ») seulement. Sta-Rite Industries réparera ou remplacera, à sa discrétion, tout produit défectueux. L'acheteur devra payer les frais de main-d'œuvre et d'expédition liés au remplacement d'un produit couvert par la garantie. Toute demande visant le service de la garantie doit être faite par l'intermédiaire du concessionnaire installateur. La présente garantie ne couvre pas les produits endommagés à la suite d'une négligence, d'un usage abusif, d'une installation ou d'un entretien non conforme ou de toute autre circonstance hors du contrôle direct de Sta-Rite. Si les produits ne sont pas installés par un professionnel et en conformité avec les codes locaux, les garanties du fabricant seront nulles. La présente garantie énonce l'obligation de Sta-Rite de même que le recours exclusif de l'acheteur à l'égard des produits défectueux. LA SOCIÉTÉ STA-RITE NE PEUT ÊTRE TENUE RESPONSABLE D'AUCUN DOMMAGE INDIRECT, ACCIDENTEL OU FORTUIT DE QUELQUE NATURE QUE CE SOIT. LES PRÉSENTES GARANTIES SONT EXCLUSIVES ET REMPLACENT TOUTES LES AUTRES GARANTIES EXPRESSES. LES GARANTIES IMPLICITES, Y COMPRIS SANS TOUTEFOIS S'Y LIMITER, LES GARANTIES IMPLICITES DE QUALITÉ MARCHANDE ET D'APPROPRIATION À UN USAGE PARTICULIER, NE DOIVENT PAS DÉPASSER LA DURÉE DES GARANTIES EXPRESSES STIPULÉES DANS LES PRÉSENTES. Puisqu'il est interdit dans certaines provinces d'exclure ou de limiter les dommages fortuits ou indirects, ou de limiter la durée d'une garantie implicite, les limitations ou exclusions précitées ci-dessus peuvent ne pas s'appliquer. La présente garantie vous confère des droits légaux spécifiques qui s'ajoutent aux droits prévus dans la province où vous habitez, le cas échéant.

GARANTIE LIMITÉE STA-RITE

Garanties particulières

(en vigueur à compter de la date d'installation)

Famille de produit	Garantie limitée	Exceptions
Filtres	1 an	Système à 3 réservoirs – 10 ans
Vannes de filtre	1 an	
Pompes	1 an	
Chauffage-eau	2 ans	* Installation commerciale – 1 an
Dispositifs de commande	1 an	
Systèmes hors-sol	1 an	
Appareils d'éclairage	1 an	Lampes et ampoules – 90 jours
Produits White	1 an	
Matériel d'entretien	90 jours	
Purgeur/pompes à usage général	90 jours	
Pièces de remplacement	90 jours	
Nettoyeurs : Lil Shark	1 an	
Nettoyeurs : Calypso	1 an	
Nettoyeurs : Pool Shark	2 ans	Brosse et volets étanches - 1 an
Nettoyeurs : Great White	2 ans	

* Installations commerciales et en immeubles collectifs.

Conservez ce certificat de garantie dans un endroit sûr et accessible pour consultation.

Cette garantie remplace toutes les garanties précédemment publiées.

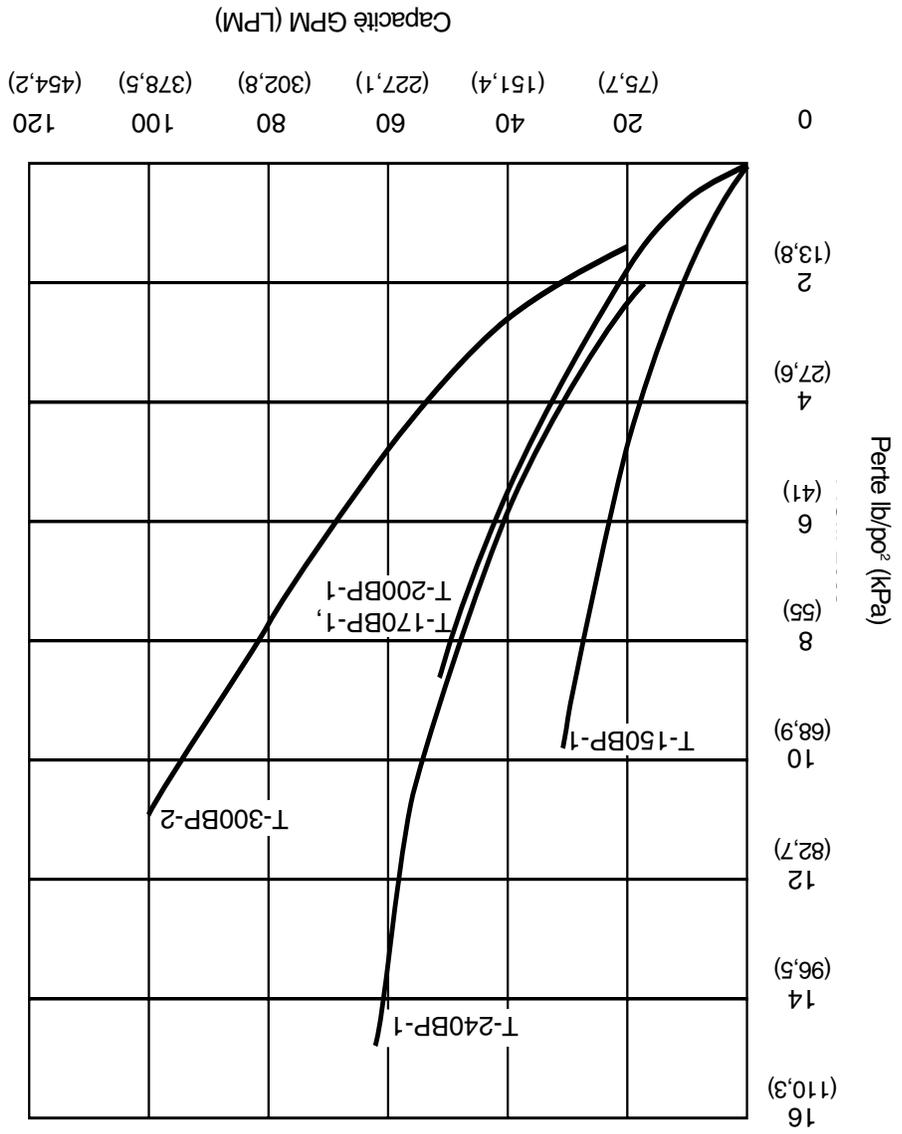
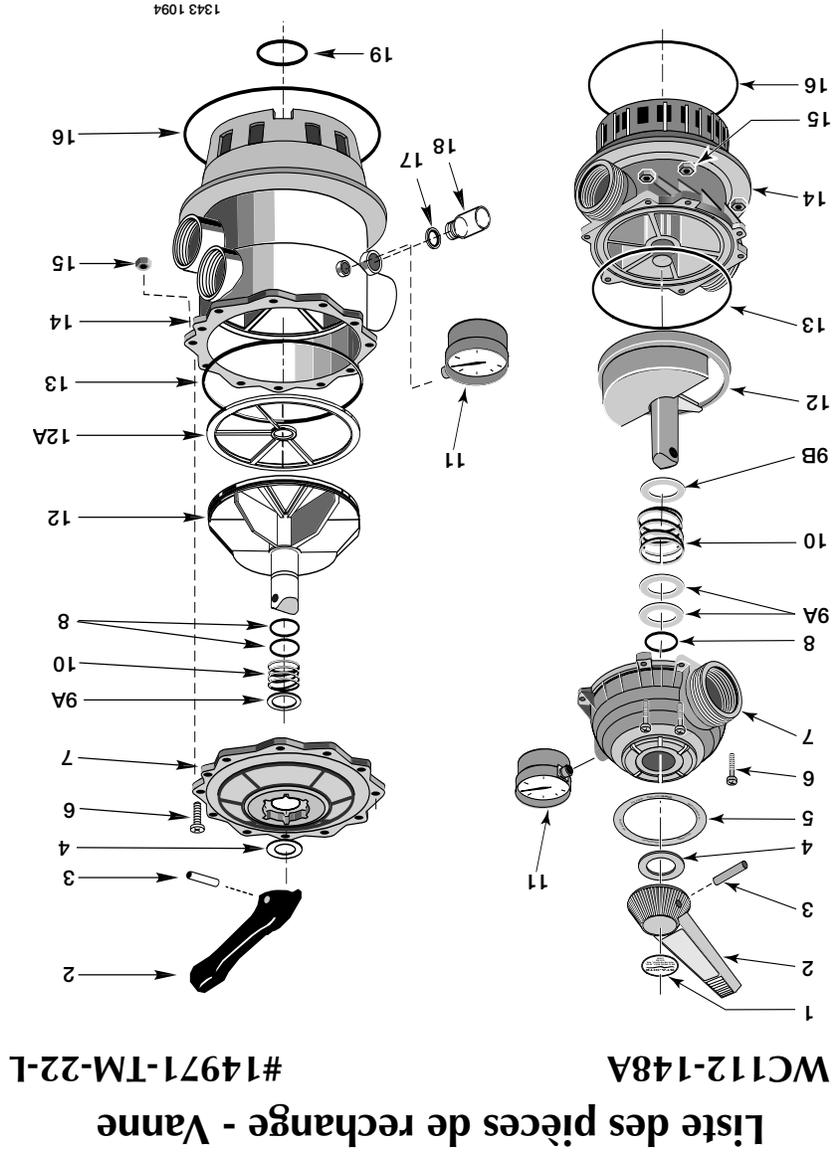


Figure 14 – Courbe de Chute de Pression - Position «Filter»

Ref.	Description	Qté.	WC112-148A	14971-TM-22-1
1	Décalcomanie - Poignée de la vanne	1	14965-0021	—
2	Poignée	1	14962-0032	14971-SM10E1
3	Coupille d'immobilisation	1	35857-0021	14971-SM10E2
4	Rondelle	1	14965-0007	14971-SM10E3
5	Décalcomanie - Instructions de fonctionnement	1	14965-0020	—
6	Vis	3	37337-3056(7)	14971-SM10E4(10)
7	Couvercle de la vanne	1	14965-0011	14971-SM20E6
8	Joint torique	1	35505-1228	14971-SM10E10
9A	Rondelle	2	14965-0007	14971-SM10E8
9B	Rondelle	1	14965-0007	—
10	Ressort	1	14965-0006	14971-SM10E9
11	Manomètre	1	15060-0000T	15060-0000T
12	Bouchon et joint	1	14965-0028	14971-SM20E11
12A	Joint	1	—	14971-SM20E12
13	Joint torique de couvercle	1	35505-1275	14971-SM20E7
14	Corps de la vanne	1	14965-0013	14971-SM20E13
15	Écrou	1	35407-0071(7)	14971-SM10E14(10)
16	Joint torique de la bride du réservoir	1	U9-369	U9-369
17	Joint de voyant	1	—	14971-SM20E17
18	Voyant	1	—	14971-SM10E16
19	Joint torique de la colonne montante (EPDM)	1	—	35505-1243



GUIDE DE DIAGNOSTIC DES PANNES

1. Intervalles de fonctionnement courts entre les lavages à contre-courant :



Pression dangereuse!
Risque de graves blessures ou de dommages matériels importants en cas d'explosion du réservoir.



Dissiper toute la pression et lire les instructions avant d'intervenir sur le filtre.

NOTA : L'intervalle entre les lavages varie avec chaque installation et selon les régions du pays. Demander à l'installateur quels sont les intervalles normaux pour le lavage à contre-courant dans la région. Les causes et les remèdes qui suivent s'appliquent à des durées de fonctionnement plus courtes que la normale dans la région où la pompe fonctionne.

- A. Le débit de l'eau est trop élevé ou le filtre est trop petit; consulter le manuel pour connaître les recommandations concernant les dimensions du système.
- B. L'eau est chimiquement déséquilibrée; consulter le technicien en piscines.
- C. Trop de saleté ou de poussière dans la piscine; passer la piscine à l'aspirateur et envoyer l'eau directement à l'égout.
- D. Accumulation de lotion/d'huile corporelle dans le filtre; consulter le manuel pour les nettoyeurs de filtre chimiques à utiliser et observer les instructions du fabricant du nettoyeur.
- E. Le filtre est mal lavé à contre-courant. Voir les instructions sous «Mise en service/fonctionnement» à la page 7.
- F. Algues dans la piscine. Consulter un professionnel en piscines pour connaître la bonne quantité de produits chimiques à utiliser dans la piscine.
- G. Niveau de chlore résiduel trop bas. Consulter un professionnel en piscines pour connaître la bonne quantité de produits chimiques à utiliser dans la piscine.
- H. Inspecter le sable du filtre à la recherche de solidifications causées par la poussière, le calcium, l'huile de la peau ou les lotions de bronzage.

2. Débit faible :

- A. Le tuyau est bouché en aval du filtre; enlever l'obstruction.
- B. Tuyauteries trop petites; utiliser des tuyauteries de plus gros diamètre (consulter le marchand).
- C. La pompe est bouchée; enlever les cheveux et la charpie emprisonnés dans la crépine ou le panier de l'écumoire. Bien les nettoyer.

3. L'eau de la piscine n'est pas claire :

- A. L'eau est chimiquement déséquilibrée; consulter le technicien en piscines.
- B. Le filtre est trop petit; consulter le marchand pour connaître la bonne dimension de l'équipement à utiliser.
- C. S'il y a du sable dans la piscine, ceci indique qu'un tube latéral est cassé. Dans ce cas, vider l'eau et le sable du réservoir de filtration. Déposer la vanne; procéder comme il est indiqué sous «Montage du filtre» à la page 6 et les instructions fournies avec le tube latéral neuf pour remplacer la pièce cassée.



Pour éviter de graves blessures ou d'importants dommages matériels, suivre les instructions sous «Pose de la vanne», (Figures 6 et 7 à la page 7).

- 1. Suivre la méthode de dépose de la vanne à la page 10.
- 2. Remplacer le tube latéral conformément aux instructions fournies avec le tube neuf.
- 3. Remonter le filtre conformément aux instructions figurant sous «Montage du filtre» à la page 6.

- 4. Remontage de la vanne :**
- Reposer le joint du bouchon et l'arbre, le ressort de montage, les rondelles et les joints toriques sur l'axe du bouchon. Lubrifier le joint torique avec de l'Amjel.
 - Remettre le couvercle en place; assortir les trous des vis du couvercle avec ceux du corps.
 - Appuyer sur le couvercle pour permettre aux vis de s'engager dans les écrous; bien serrer chaque écrou.
 - Remettre en place la rondelle supérieure (Réf. n° 1A) et la poignée, en s'assurant que l'axe d'indexage de l'axe du bouchon est orienté dans le même sens que la flèche frappée sur la poignée. Reposer la goupille d'immobilisation de la poignée.
 - Serrer toutes les vis du couvercle au couple de 63,4 kg-cm (55 lb-po).

Dépôt de la vanne

⚠ AVERTISSEMENT

Pression dangereuse. Arrêter la pompe et dissiper toute la pression du circuit avant d'intervenir sur le filtre, la vanne ou le collier.

NOTA : Si la vanne à orifices multiples est plus basse que le niveau de l'eau de la piscine, fermer les robinets des tuyauteries d'aspiration et de retour avant de procéder au démontage afin d'empêcher que la piscine se vide.

1. Débrancher les tuyauteries provenant de la pompe et de la piscine.

2. Déposer le collier.

3. Déposer la vanne du filtre.

4. Pour reposer la vanne, suivre les instructions aux Figures 6 et 7, page 7.

S'ASSURER de respecter les instructions de serrage du collier.

Dépôt/repose du raccord de vidange

NOTA : Si la piscine est à plus de huit pieds au-dessus du filtre, fermer tout d'abord les robinets des tuyauteries de retour et d'aspiration de la pompe pour empêcher de les lever plus haut que le niveau de l'eau.

1. Repose : Voir la Figure 13.

2. Pour vider le filtre :

A. Déposer le bouchon de vidange. Le tube latéral doit rester en place à l'intérieur de l'ouverture de vidange pour empêcher au sable de se vider du filtre.

B. Ouvrir le raccord union de l'orifice de lavage à contre-courant de la vanne à orifices multiples. Ceci permettra à l'air de pénétrer dans le filtre et à l'eau de complètement se vider du réservoir de filtration.

C. Reposer le bouchon lorsque le réservoir est vide.

3. Pour enlever le sable du filtre :

A. Déposer le bouchon de vidange et le tube latéral à fentes (voir la Figure 13).

B. Pour complètement rincer le réservoir de filtration de sable, déposer le collier supérieur et la vanne à orifices multiples et laver l'intérieur du réservoir avec un tuyau d'arrosage.

C. Bien nettoyer le sable de toutes les parties du réservoir et de l'ouverture de vidange du réservoir avant de remonter le raccord de vidange.

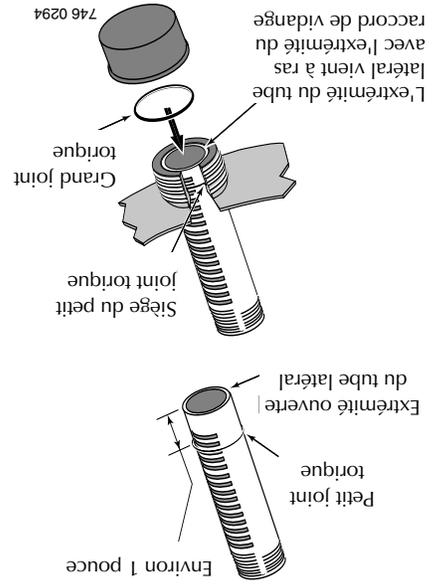


Figure 13 : Raccord de vidange.

Ce raccord permet de vidanger l'eau sans que du sable s'échappe du réservoir de filtration.

S'assurer que toutes les surfaces sont propres et débarrassées de sable. Ne pas fausser les filets du bouchon; ne pas trop serrer le bouchon.

Fig. 12B: Démontage de la vanne.
(Vanne à orifices multiples, 2 po)

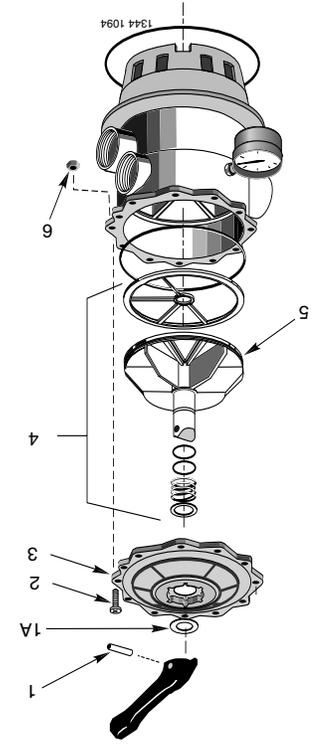
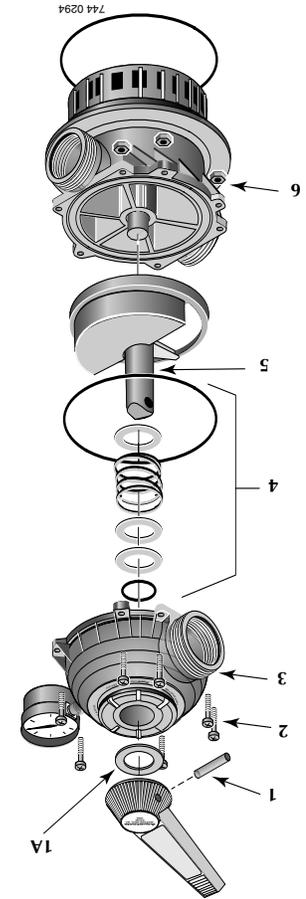


Fig. 12A: Démontage de la vanne.
(Vanne à orifices multiples, 1-1/2 po)



- Remplacement du couvercle et du bouchon :**
1. Arrêter la pompe.
 2. Mettre la poignée de la vanne sur la position «FILTER».
 3. Déposer la goupille d'immobilisation (Réf. 1, Figures 12A et 12B) pour désolidariser la poignée. Si la goupille ne peut pas être enlevée à la main, utiliser un marteau et un poinçon et la chasser en tapant légèrement dessus.
 4. Déposer la poignée. La remplacer par une neuve. S'assurer que la poignée est dans la position «FILTER».
 5. Reposer la goupille d'immobilisation.
- 2. Déposer le bouchon :**
- A. Déboucher toutes les vis et tous les écrous (Réf. nos 2 et 6, Figures 12A et 12B).
 - B. Déposer le couvercle (Réf. 3) en tirant droit dessus tout en immobilisant l'axe du bouchon (Réf. 5) avec le pouce.
- 3. Inspection des pièces internes :**
- Inspecter le bouchon et le ressort de joint, les joints toriques et les rondelles internes (Réf. 4). Les remplacer selon le besoin.

Remplacement de la poignée :

1. Arrêter la pompe.
- 2. Mettre la poignée de la vanne sur la position «FILTER».
- 3. Déposer la goupille d'immobilisation (Réf. 1, Figures 12A et 12B) pour désolidariser la poignée. Si la goupille ne peut pas être enlevée à la main, utiliser un marteau et un poinçon et la chasser en tapant légèrement dessus.
- 4. Déposer la poignée. La remplacer par une neuve. S'assurer que la poignée est dans la position «FILTER».
- 5. Reposer la goupille d'immobilisation.

Remise en service de l'équipement après l'hiver :

AVERTISSEMENT Pression dangereuse. Arrêter la pompe et dissiper toute la pression du système avant d'intervenir sur le filtre, la vanne ou le collier. La conception du filtre et de la vanne permet à l'air d'être automatiquement purgé en service normal. Toutefois, toujours s'assurer que la pression a été dissipée du système avant d'intervenir sur le filtre, sur la vanne ou sur le collier.

NOTA : Si la vanne à orifices multiples est plus basse que le niveau de l'eau de la piscine, fermer les robinets des tuyauteries d'aspiration et de retour avant de procéder au démontage afin d'empêcher que la piscine se vide.

ENTRETIEN DES VANNES À ORIFICES MULTIPLES

- Remise en service de l'équipement après l'hiver :**
1. Déposer toutes les protections temporaires placées sur le système avant l'hiver.
 2. Se reporter à la page 7 « Mise en service » pour remettre le filtre en service.
 3. Inspecter tout le câblage électrique pour s'assurer qu'il n'a pas été endommagé ni détérioré pendant la période d'arrêt. Demander à un technicien qualifié de réparer ou de remplacer le câblage au besoin. Inspecter et resserrer tous les raccords étanches.
 4. Ouvrir tous les robinets des tuyauteries d'aspiration et de retour.
 5. Enlever tous les bouchons posés pour l'hiver.
 6. Vidanger tous les produits chimiques d'hivernisation (le cas échéant) du système.
 7. Fermer tous les robinets de vidange et reposer tous les bouchons de vidange du système (voir la page 10).
 8. Faire le plein de la piscine jusqu'au bon niveau (se reporter aux instructions du fabricant de la piscine).
- Remise en service de l'équipement après l'hiver :**
1. Ouvrir tous les robinets du système. Régler la vanne à orifices multiples sur «WINTERIZE» pour permettre à l'air de pénétrer dans tous les orifices.
 2. Déposer le bouchon de vidange du filtre.
 3. Vidanger tout le réservoir de filtration, puis reposer le bouchon de vidange (voir la Figure 13, page 10).
 4. Couvrir le réservoir avec une feuille de plastique et ou une bâche pour le protéger contre les intempéries.
 5. Le protéger du gel.
- d'antigel à base d'éthylène-glycol - ce produit est toxique et il risque d'endommager les éléments en plastique.

ENTRETIEN

Généralités :

- Laver l'extérieur du filtre avec un détergent doux et de l'eau. Le rincer avec un tuyau d'arrosage.
- **NOTA** : NE PAS utiliser de dissolvants pour nettoyer le filtre, car ils risquent d'endommager les éléments en plastique du système.
- Inspecter le lit de sable au moins une fois par année pour enlever les corps étrangers qui n'ont pas été chassés par les lavages à contre-courant.
- **NOTA** : Lorsque le lit de sable devient dur ou si le dessus forme croûte, vider le vîeux sable du réservoir et le remplacer par du sable neuf.

Inspection hebdomadaire de l'équipement de la piscine :

1. Vérifier la pression du système pendant son fonctionnement. Dès que la pression est supérieure de 34,5 à 48 Kpa (5 à 7 lb/po²) à la pression de mise en service initiale, laver à contre-courant (voir les instructions sous « Mise en service/fonctionnement » à la page 7).
2. Saut par temps chauds lorsque la piscine est intensivement utilisée, faire fonctionner le filtre de 6 à 12 heures par jour devrait être suffisant. Surveiller attentivement l'équilibre chimique dans la piscine et suivre les recommandations d'un professionnel local en matière de piscines.

Entretien de l'eau

- Garder le niveau de l'eau à 2 pouces (51 mm) au moins au-dessus de la partie inférieure de l'écumoire. L'air peut pénétrer dans le système et le filtre et la pompe peut se désamorcer si l'on ne respecte pas cette recommandation.
- Maintenir le pH de la piscine entre 7,2 et 7,6.

⚠ Pour ne pas endommager les éléments du système, toujours garder la température de l'eau inférieure à 35 °C (95 °F).

Passage de l'aspirateur dans la piscine :

1. Remplir le tuyau souple de l'aspirateur en l'immergeant complètement dans l'eau.
2. Pour passer l'aspirateur, introduire le tuyau dans le collecteur d'aspiration de l'écumoire ou dans la conduite d'aspiration qui débouche dans la paroi de la piscine. Se reporter aux instructions fournies par le constructeur de la piscine ou le fabricant de la piscine. Démarrer la pompe, s'assurer qu'elle est amorcée et qu'elle pompe.
3. Après avoir passé l'aspirateur, nettoyer la crépine de la pompe pour enlever tous les débris qui s'y sont accumulés, puis vérifier le manomètre du filtre. Après avoir lavé le filtre à contre-courant, il doit indiquer une pression variant entre 34,5 et 48 Kpa (5 à 7 lb/po²) supérieure à la pression de mise en service initiale.

Pour abaisser le niveau de l'eau dans la piscine ou pour vider la piscine

1. ARRÊTER la pompe; régler la poignée de la vanne sur « WASTE ».
2. Utiliser le tuyau souple de l'aspirateur et la tête.
3. Démarrer la pompe; faire fonctionner la pompe jusqu'à ce que le niveau d'eau désiré dans la piscine soit atteint.
4. ARRÊTER la pompe; régler la poignée de la vanne sur « FILTER ».
5. Démarrer la pompe.

ENTREPOSAGE ET PRÉPARATION POUR L'HIVER

⚠ ATTENTION Les produits chimiques à utiliser dans les piscines dégagent des

vapeurs corrosives. Les entreposer loin du système dans un endroit bien aéré.

NOTA : Si le filtre gèle, il sera endommagé et la garantie sera annulée. Si l'on utilise de l'antigel, utiliser du propylène-glycol; ce produit est compatible avec les plastiques et il est non toxique. Suivre les instructions du fabricant. Ne pas utiliser

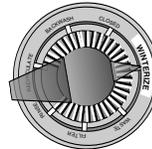


Fig. 11 : Réglage de la vanne pour l'entreposage d'hiver. Arrêter la pompe avant de changer la position de la vanne.



Fig. 10 : Réglages de la vanne pour abaisser le niveau de l'eau dans la piscine. Arrêter la pompe avant de changer la position de la vanne.



Mise en service/fonctionnement (Voir la Figure 9)

▲ AVERTISSEMENT Pression dangereuse. Pour éviter une explosion et des blessures graves possible, voire mortelles, la pression du système de filtration ne doit jamais dépasser 345 kpa (50 lb/pt.). NE JAMAIS contrôler ce système de filtration à l'air comprimé; ne jamais faire fonctionner le système si la température de l'eau est supérieure à 35 °C (95 °F).

▲ ATTENTION Pour empêcher que l'équipement soit endommagé et toutes

blessures possibles, ARRÊTER la pompe avant de changer la position de la vanne. **NOTA** : Ne jamais ajouter de produits chimiques directement dans l'écumoire de la piscine. L'ajout de produits chimiques non dilués risque d'endommager l'équipement et d'annuler la garantie.

1. Ouvrir les robinets du système et s'assurer que la pompe est pleine d'eau. Ouvrir les vannes du système et s'assurer que la pompe est pleine d'eau. S'assurer que le niveau de l'eau de la piscine arrive à 2 pouces (51 mm) au-dessus de la partie inférieure de l'ouverture de l'écumoire.
2. La pompe étant ARRÊTÉE, régler la vanne sur la position «BACKWASH».
3. Démarrer la pompe; l'eau circulera à contre-courant dans le filtre et sera envoyée là où l'on désire en disposer. Ne pas poser le manomètre tant qu'un jet continu d'eau ne sort pas par l'orifice prévu pour la pose du manomètre. Dès que l'eau sort par cet orifice, arrêter la pompe puis poser le manomètre.

NOTA : Pour empêcher que la pompe fonctionne à sec, s'assurer que le niveau de l'eau ne chute jamais sous la partie inférieure de l'admission de l'écumoire. Au besoin, ajouter de l'eau dans la piscine pour garder l'écumoire plein d'eau pendant que l'on procède au lavage à contre-courant et au rinçage.

4. Procéder au lavage à contre-courant du filtre jusqu'à ce que l'eau coule claire (3 à 5 minutes).
5. Arrêter la pompe; régler la vanne sur la position «RINSE».
6. Démarrer la pompe; la faire fonctionner pendant une minute.
7. Arrêter la pompe; régler la vanne sur la position «FILTER».
8. Le filtre est maintenant prêt à être remis en service.
9. Relever la pression de démarrage du filtre indiquée par le manomètre (elle servira de référence ultérieure).
10. Lorsque l'on remplit la piscine pour la première fois, laver le filtre à contre-courant une fois par jour jusqu'à ce que l'eau de la piscine soit très propre. Après cela, laver le filtre à contre-courant lorsque le manomètre indique une pression de 34,5 à 48 Kpa (5 à 7 lb/po²) supérieure à la pression de la mise en service initiale.

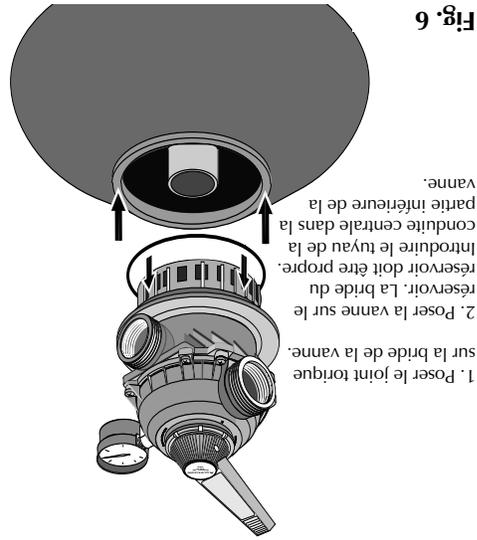


Fig. 6

L'orifice portant la mention «PUMP» doit être orienté vers la pompe.

Taper légèrement tout autour du collier pendant que le serre pour l'aider à bien reposer.

Poser le collier et le serrer jusqu'à ce que les extrémités des extrémités du collier jusqu'à ce qu'elles soient à au moins 1/4 de po l'une de l'autre, attendre 15 à 30 minutes avant de continuer à serrer le collier.

Fig. 7

Réglages de la vanne But/débit

FILTER
Opérations normales de filtration et de passage de l'eau traverse le filtre, puis retourne dans la piscine.

RINSE
Pour la mise en service initiale, pour le nettoyage et la mise de niveau du lit de sable après un lavage à contre-courant; l'eau traverse le filtre avant d'être envoyée à l'égout.

RECIRCULATE
Fait circuler l'eau de la piscine; le filtre est évité.

BACKWASH
Débit inverse pour le nettoyage; l'eau traverse le filtre, puis revient dans la piscine.

CLOSED
La circulation de l'eau vers le filtre et la piscine est complètement arrêtée.

WINTERIZE
Tous les orifices de la vanne sont partiellement ouverts pour la vidange avant l'hiver.

WASTE
Pour abaisser le niveau de l'eau dans la piscine ou pour vider l'eau de la piscine; l'eau évite le filtre et est envoyée à l'égout.

Réglages de la vanne But/débit



Fig. 9 : Réglages de la vanne pour le démarrage. Arrêter la pompe avant de changer la position de la vanne.

8. Le système est maintenant prêt à être mis en service.
- NOTA :** Si l'on remarque des fuites sous la partie vanne/collier, ARRÊTER LA POMPE, dissiper toute la pression dans le système, déposer le collier et la vanne et nettoyer leurs surfaces d'étanchéité.
7. Terminer tous les raccords de la plomberie (se reporter à la page 5 pour les tuyauteries).
- A. Le tuyau de l'orifice RETOUR (RETURN) de la vanne doit être orienté vers le retour de la piscine.
- B. Le tuyau venant de l'orifice EAU USÉE (WASTE) de la vanne doit être orienté vers le côté où l'eau usée sera envoyée.
- C. Le tuyau d'aspiration provenant de la pompe doit être orienté vers le côté

6. Brancher le tuyau venant du côté retour de la pompe sur l'orifice de la vanne portant la mention «PLUMP»; utiliser la motité du raccord union fourni. Pour qu'il n'y ait pas de fuites, assembler le raccord union en procédant comme suit :
- A. Les surfaces d'étanchéité et les joints toriques doivent être propres.
- B. Ne serrer le raccord qu'à la main (**pas avec une clé**).
- C. Aucune pâte d'étanchéité pour raccords filetés ni ruban Téflon ne doit être utilisée sur les raccords unions.

5. Si le collier ne se serre pas jusqu'à ce que ses extrémités soient à 6 mm (1/4 de po) l'une de l'autre, attendre 15 à 30 minutes, puis le resserrer. À l'aide d'une massette en caoutchouc, taper légèrement sur le collier pour l'aider à bien reposer.

▲ AVERTISSEMENT

Pression dangereuse. Le collier ne restera pas en place s'il ne repose pas bien! NE PAS DÉMARRER LA POMPE si les extrémités du collier ne sont pas à 6 mm (1/4 de po) l'une de l'autre.

1. Poser le joint torique sur la bride de la vanne. S'assurer que le joint torique est propre, sec, qu'il ne comporte pas d'entailles ni de déchirures.
2. S'assurer que les brides du réservoir et de la vanne sont propres et débarrassées de sable; poser la vanne sur le dessus du réservoir. Le tuyau vertical de la conduite centrale s'insère dans la base de la vanne.
3. Poser le collier; s'assurer que le bouton du collier est positionné de façon à pouvoir y accéder facilement lors de l'entretien du filtre. L'orifice de la vanne portant la mention «PLUMP» doit être orienté vers la pompe.
4. Serrer le bouton du collier jusqu'à ce que les extrémités du collier (sous la vis) soient à 6 mm (1/4 de po) l'une de l'autre. À l'aide d'une massette en caoutchouc, taper tout autour du collier pour lui permettre de bien reposer.

Installation de la vanne : Voir les Figures 6, 7 et 8

5. Déposer le protecteur de sable en plastique et le conserver pour la prochaine fois.

4. Avant de poser la vanne, vérifier une deuxième fois si la bonne quantité de sable a bien été chargée (voir la page 4).

3. Verser le sable dans le réservoir de filtration. Se reporter à la page 4 pour connaître le bon type et la bonne quantité de sable à utiliser.
- NOTA :** S'assurer que la surface d'étanchéité du dessus du réservoir est débarrassée de sable avant de poser la vanne et le collier.

2. De façon à supporter les tubes latéraux et pour empêcher qu'ils se cassent pendant le chargement, remplir le réservoir à moitié d'eau avant de vider le sable dans le filtre.

1. Ne pas verser de sable dans la conduite centrale; poser le protecteur de sable en plastique sur la conduite centrale avant de verser le sable dans le filtre (voir la Figure 5).

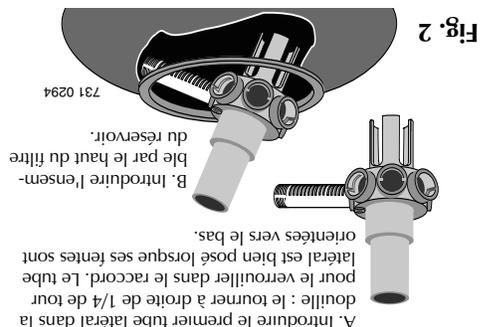
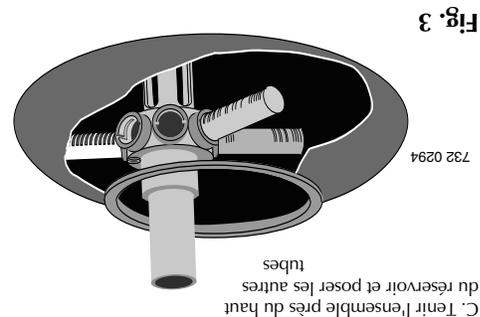
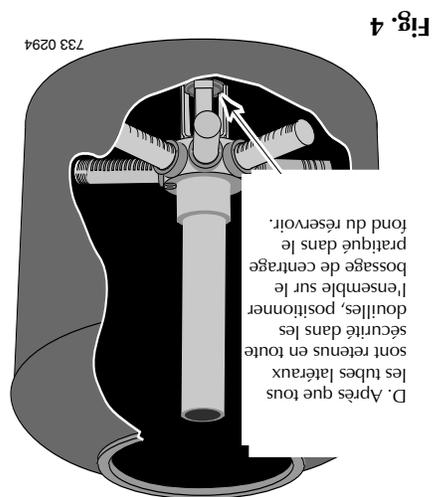
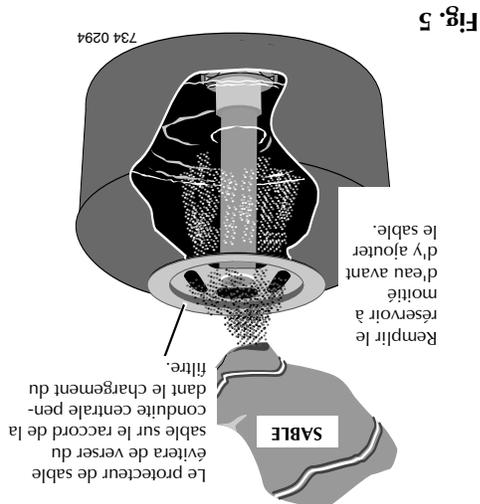
Chargement du sable filtrant

Assemblage : Voir les Figures 2 à 5 pour l'assemblage du filtre.

Montage du filtre

- S'assurer que toutes les dispositions prises pour l'élimination de l'eau usée se conformeront aux codes nationaux, provinciaux ou municipaux. Pendant l'opération de lavage du filtre à contre-courant, 379 litres (100 gallons) d'eau de la piscine, voire plus, seront éliminés. Ne pas envoyer l'eau là où elle risque de causer des inondations ou des dommages.

Eau usée :



RENSEIGNEMENTS GÉNÉRAUX

- Si la piscine est neuve, la nettoyer le mieux possible avant de la remplir et de faire fonctionner le filtre. Le filtre et la pompe risquent d'être sérieusement endommagés si le système contient trop de saletés et de grosses particules de corps étrangers.

 NE JAMAIS contrôler ce filtre à l'air comprimé.

 Ne pas faire fonctionner le filtre si la température de l'eau est supérieure à 35°C (95°F).

 NE JAMAIS faire fonctionner ce système de filtration par des pressions supérieures à 50 lb/po² (345 Kpa)!

INSTALLATION

L'installation du filtre ne doit être effectuée que par du personnel qualifié. Pour connaître les instructions d'assemblage et de remplissage, se reporter à la page 6.

L'assise du filtre doit :

- assurer une protection contre le gel et les intempéries;
- assurer suffisamment d'espace et d'éclairage pour un accès facile lors des entretiens périodiques. (Voir la Figures 1 et 2 et le Tableau 2 à la page 4 pour les dégagements exigés.)
- reposer sur une surface raisonnablement de niveau et assurer un drainage adéquat; être aussi près que possible de la piscine pour réduire les pertes par friction dans les tuyauteries.

Tuyauteries :

- Elles doivent se conformer aux codes sanitaires et de la plomberie de la province et/ou de la municipalité.
- Utiliser de la pâte d'étanchéité pour raccords filetés ou du ruban Téflon sur les raccords mâles des tuyaux et des raccords mâles métalliques (à l'exception des raccords unions). Utiliser du ruban Téflon ou du Plasto-Joint Stik[®] sur tous les raccords mâles des raccords et les tuyaux en plastique. NE PAS utiliser de pâte pour raccords filetés sur les tuyaux en plastique, sinon les tuyaux se fissureront. Ne pas utiliser de pâte d'étanchéité pour raccords filetés ni de ruban sur les raccords unions - Ne pas endommager les surfaces d'étanchéité des raccords unions ni les joints toriques.

- Supporter chaque tuyauterie de façon à empêcher toute contrainte sur le filtre ou sur la vanne.
- Utiliser des tuyaux de 1-1/2 po ou de 2 po pour minimiser autant que possible les pertes de pression.

NOTA : Le filtre peut être placé loin de la piscine. Dans ce cas, toutefois, et pour assurer un débit adéquat, des tuyaux de plus gros diamètre doivent être utilisés. Étudier les codes municipaux lorsque l'on considère une installation à distance.

- Les raccords diminuent le débit; pour une meilleure efficacité, utiliser le moins possible de raccords.
- Les tuyaux doivent être toujours bien serrés et ne pas fuir : une fuite de la conduite d'aspiration de la pompe risque d'emprisonner de l'air dans le réservoir de filtration ou de désamorcer la pompe; on remarquera une fuite de la conduite de retour de la pompe par de l'humidité ou des jets d'eau.
- Lorsque des raccords unions sont fournis, et pour obtenir des raccordements qui ne fuient pas, les utiliser comme suit :

1. Les surfaces d'étanchéité et les joints toriques doivent être propres.
2. Les raccords ne doivent être serrés qu'à la main (**pas avec une clé**).
3. Aucune pâte d'étanchéité pour raccords filetés ni ruban Téflon ne doit être utilisée sur les raccords unions.

Clapets :

- Un clapet antiretour posé entre le filtre et le chauffe-eau empêchera l'eau de retourner dans le filtre et de causer la déformation des éléments internes.
- Il faut être très prudent avant de procéder à l'assemblage afin de ne pas endommager les surfaces d'étanchéité des raccords unions ni les joints toriques.

Modèle de filtre	A	B	C	D	Largeur du socle (E)	Longueur du socle (F)	Dimensions de l'orifice de la tuyauterie
T-150BP-1	27 (686)	33-13/16 (859)	15-3/4 (400)	24-11/16 (627)	13 (330)	16-1/4 (413)	1-1/2" SLIP
T-170BP-1	29-9/16 (751)	36-3/8 (924)	17-3/4 (451)	27-1/4 (692)	13 (330)	16-1/4 (413)	1-1/2" SLIP
T-200BP-1	31-5/8 (803)	38-1/2 (978)	20-3/4 (527)	29-3/8 (746)	13 (330)	16-7/8 (429)	1-1/2" SLIP
T-240BP-1	35-3/16 (897)	42 (1067)	24-3/4 (629)	32-7/8 (835)	16-7/8 (429)	21 (533)	1-1/2" SLIP
T-240BP-2	35-1/4 (895)	44-1/2 (1130)	24-3/4 (629)	32-7/8 (835)	16-7/8 (429)	21 (533)	2" (NPT)
T-300BP-2	42 (1067)	51-1/4 (1302)	31 (787)	39-5/8 (1008)	16-7/8 (429)	21 (533)	2" (NPT)

TABLEAU II - DIMENSIONS EXTERIEURES EN POUCES (mm)

*NOTA : 1 pied cube (28 320 cm³) de sable pèse environ 45,4 kg (100 lb). NE PAS utiliser de sable de calibre plus fin que celui recommandé.

Modèle de filtre	Renouvellement en heures				Volume du sable en livres (kg)
	gal. (L)	gal. (L)	gal. (L)	gal. (L)	
T-150BP-1	9,070(34 330)	12,100(45 799)	15,120(57 229)	18,144(68 675)	100 (45.4)
T-170BP-1	11,340(42 922)	15,120(57 229)	18,900(71 536)	22,680(85 844)	150 (68)
T-200BP-1	15,700(59 424)	20,930(79 220)	26,160(99 016)	31,390(118 811)	200 (90.7)
T-240BP-1	22,230(84 481)	29,760(112 642)	37,200(140 802)	44,640(168 962)	300 (136)
T-240BP-2	22,230(84 481)	29,760(112 642)	37,200(140 802)	44,640(168 962)	300 (136)
T-300BP-2	35,280(133 535)	47,040(178 046)	58,800(222 558)	70,560(267 070)	600 (272)

Modèle de filtre	Encadrement du filtre		Débit maximum en gal/min (L/min)
	Diamètre en pouces (mm)	Surface en pieds carrés (m ²)	
T-150BP-1	15 (381)	1.26 (.117)	25.2 (95)
T-170BP-1	17 (432)	1.57 (.146)	31.5 (123)
T-200BP-1	20 (508)	2.18 (.203)	43.6 (165)
T-240BP-1	24 (610)	3.10 (.288)	62.0 (234.7)
T-240BP-2	24 (610)	3.10 (.288)	62.0 (234.7)
T-300BP-2	30 (762)	4.90 (.455)	98 (371)

TABLEAU I - INFORMATIONS CONCERNANT LE FONCTIONNEMENT DU FILTRE

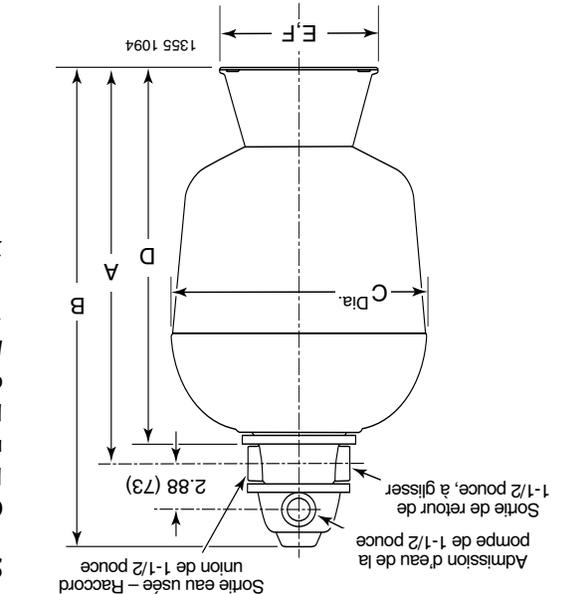
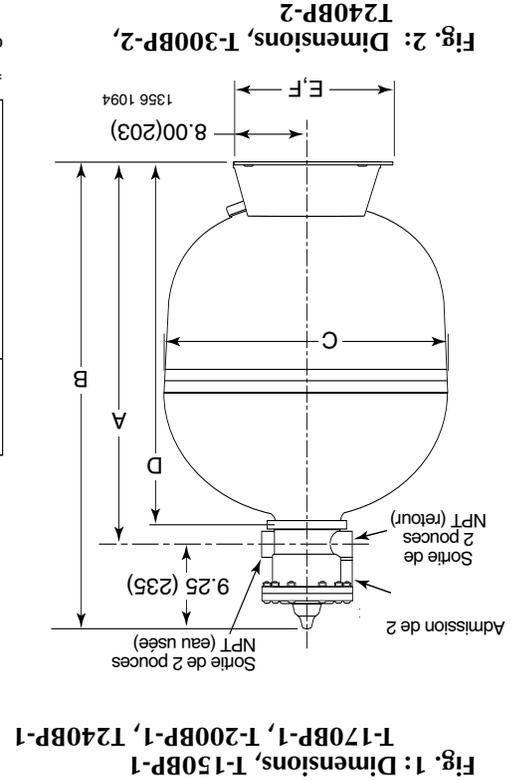
1. Wedron Silica/Best Sand Co., calibre du sable : Wedron - 45 à 55 mm; calibre utile : 0,46 mm; coefficient d'uniformité : 1,22.
2. U.S. Silica : Sable de filtration silurien, calibre du sable : 45 à 55 mm; calibre utile : 0,48 mm; coefficient d'uniformité : 1,18.

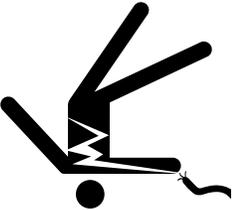
Matériaux filtrants recommandés :

NOTA : L'utilisation d'un autre sable réduira le rendement du filtre, risquera d'endommager la pompe et annulera la garantie.
N'utiliser que du sable de silice n° 20, calibre - 40 à 55 mm. Coefficient d'uniformité inférieur à 1,75.

CALIBRES DU SABLE RECOMMANDÉ :

Se reporter à la page 14 pour la courbe de chute de pression.



<p>Interrompre le courant électrique parvenant au moteur.</p>	<p>Les pompes des filtres fonctionnent sur des tensions dangereuses qui risquent de causer des chocs électriques, des brûlures, voire la mort.</p>	
<p>AVANT D'INTERVENIR SUR LA POMPE OU SUR LE MOTEUR</p>	<p>AVERTISSEMENT</p>	
<p>1. Arrêter la pompe. 2. Ouvrir la soupape de dissipation d'air. 3. Dissiper toute la pression dans le système.</p>	<p>Pression dangereuse! Risque de graves blessures ou de dommages matériels importants en cas d'explosion du réservoir.</p>	
<p>AVANT D'INTERVENIR SUR LE FILTRE :</p>	<p>DANGER</p>	

NOTA : Ces paramètres ne s'appliquent qu'à de l'équipement Sta-Rite. Pour un équipement d'une autre marque que de marque Sta-Rite, consulter le fabricant.

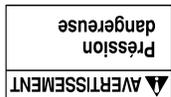
- Limiter le contrôle à 24 heures. Après avoir procédé au contrôle, examiner visuellement le système pour s'assurer qu'il est prêt à être utilisé. Déposer le couvercle de la crépine et ne le resserrer qu'à la main.
- La température de l'eau doit être inférieure à 35 °C (95 °F).
- La pression de l'eau doit être inférieure à 172 Kpa (25 lb/ps²).
- Ressermer le couvercle de la crépine des pompes Sta-Rite au couple de 4,1 kg-cm (30 lb-pi).
- S'ASSURER que tout l'air est purgé du système.
- Vérifier tous les colliers, couvercles, accessoires et toutes les vis du système.

sécurité suivantes :

Avant de procéder à un contrôle de pression, procéder aux vérifications de

1. Ne pas brancher le système sur une pression élevée ou sur l'eau de la ville.
 2. N'utiliser l'équipement qu'avec une piscine ou une cuve à remous.
 3. De l'air emprisonné dans le système risque de causer une explosion. S'ASSURER que tout l'air est chassé du système avant de faire fonctionner l'équipement ou de le contrôler.
- connaissant bien les piscines de procéder aux contrôles de la pression.
pour installer et utiliser l'équipement. Demander à une personne
Lire et suivre les instructions figurant dans la Notice de l'utilisateur.

Un équipement mal installé ou mal contrôlé peut tomber en panne, causer de graves blessures ou des dommages matériels.



FILTRES À SABLE À DÉBIT ÉLEVÉ

Pour éviter les appels inutiles d'un réparateur, éviter toutes blessures possibles et obtenir le plus de rendement de ce filtre, LIRE ATTENTIVEMENT CETTE NOTICE!

Le filtre à sable à grand débit Sta-Rite à vanne montée sur le dessus :

- est conçu pour filtrer l'eau des piscines.
- est un appareil excellent, durable et fiable.

Table des matières

Consignes de sécurité	2-3
Dimensions/spécifications	4
Renseignements généraux	5
Installation	5-7
L'assise du filtre/tuyauteries	5
Montage du filtre	6
Installation de la vanne	6
Mise en service/fonctionnement	7
Entretien	8
Entretien de l'eau	8
Entreposage et préparation pour l'hiver	8-10
Remise en service de l'équipement après l'hiver	9
Dépose/repose du raccord de vidange	10
Guide de diagnostic des pannes	11
Liste des pièces de rechange	12-13
Courbe de chute de pression	14
Garantie	15

LIRE ET OBSERVER CES CONSIGNES DE SÉCURITÉ!

 Ce symbole indique qu'il faut être prudent. Lorsque ce symbole apparaît sur le système ou dans cette Notice, recherchez une des mises en garde qui suivent, car elles indiquent un potentiel possible de blessures corporelles.

▲ DANGER avertit d'un danger **qui causera** des blessures corporelles, la mort ou des dommages matériels importants si on l'ignore.

▲ AVERTISSEMENT avertit d'un danger **qui risque** de causer des blessures corporelles, la mort ou des dommages matériels importants si on l'ignore.

▲ ATTENTION avertit d'un danger **qui causera** ou qui **risquera** de causer des blessures corporelles, la mort ou des dommages matériels importants si on l'ignore.

Le mot **NOTA** indique des instructions spéciales et importantes n'ayant aucun rapport avec les dangers.

Lire attentivement toutes les consignes de sécurité contenues dans cette Notice et figurant sur le filtre et les respecter.

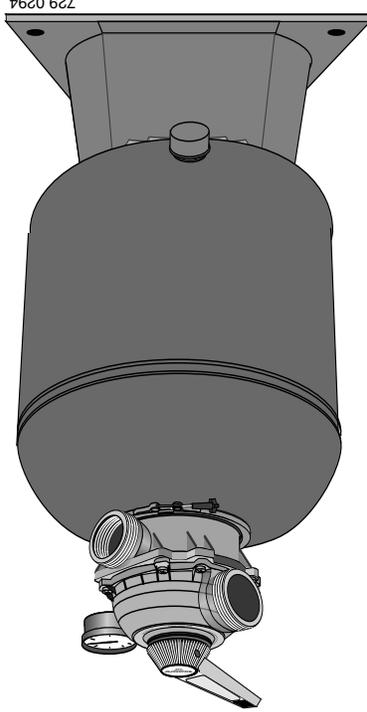
Toujours garder ces autocollants de sécurité en bon état.

Remplacer tous les autres collants de sécurité manquants ou endommagés.

STA-RITE®

FILTRES À SABLE À GRAND DÉBIT CRISTAL-FLO™

NOTICE D'UTILISATION



POSE, FONCTIONNEMENT ET PIÈCES

MODELES

T-150BP-1 T-170BP-1 T-200BP-1 T-240BP-1 T-300BP-2



Sta-Rite Pool/Spa Group
Pentair Pool Products, Inc.

1620 Hawkins Ave.
Sanford, NC 27330
Tel 919-774-4151 • Fax 919-774-4841
© 2005, Sta-Rite Industries

S242 (Rev. B 6/28/06)



Cette Notice doit être remise à l'utilisateur de ce filtre; elle servira à réduire les appels de dépannage et les possibilités de blessures, de même qu'à prolonger la durée du filtre.