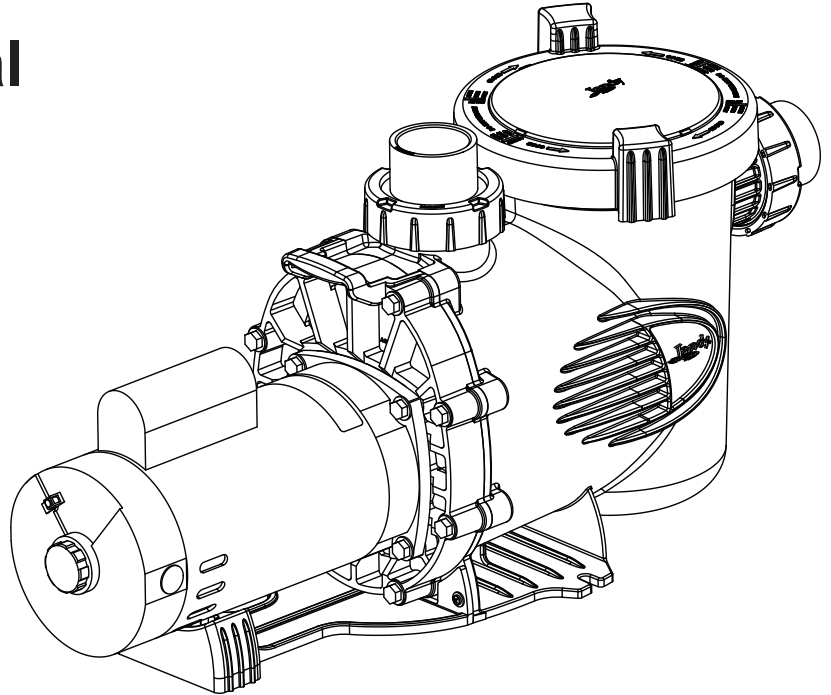




# Installation and Operation Manual

## Stealth™ Series Pumps

Models SHPF and SHPM



### **WARNING**

**FOR YOUR SAFETY:** This product must be installed and serviced by a professional service technician, qualified in pool/spa installation. The procedures in this manual must be followed exactly. Improper installation and/or operation can create dangerous electrical hazards, which can cause high voltages to run through the electrical system, possibly causing death, serious injury or property damage. Improper installation and/or operation will void the warranty.



**ATTENTION INSTALLER:** This manual contains important information about the installation, operation and safe use of this product. This information should be given to the owner/operator of this equipment.



## Table of Contents

<p>Section 1. Important Safety Instructions ..... 4</p> <p style="padding-left: 20px;">1.1 Safety Instructions ..... 4</p> <p style="padding-left: 20px;">1.2 Pool Pump Suction Entrapment Prevention Guidelines ..... 6</p> <p>Section 2. General Description ..... 8</p> <p style="padding-left: 20px;">2.1 Introduction ..... 8</p> <p style="padding-left: 20px;">2.2 Description ..... 8</p> <p>Section 3. Installation ..... 8</p> <p style="padding-left: 20px;">3.1 Plumbing ..... 8</p> <p style="padding-left: 40px;">3.1.1 Preparation ..... 8</p> <p style="padding-left: 40px;">3.1.2 Pump Location ..... 8</p> <p style="padding-left: 40px;">3.1.3 Pipe Sizing ..... 8</p> <p style="padding-left: 20px;">3.2 Electrical Installation ..... 9</p> <p style="padding-left: 40px;">3.2.1 Voltage Checks ..... 9</p> <p style="padding-left: 40px;">3.2.2 Bonding and Grounding ..... 9</p> <p style="padding-left: 40px;">3.2.3 Electrical Wiring ..... 10</p> <p style="padding-left: 20px;">3.3 Pressure Testing ..... 10</p> <p style="padding-left: 40px;">3.3.1 Replace Blue Pressure Test O-ring if Necessary ..... 11</p> <p style="padding-left: 40px;">3.3.2 Conduct Pressure Test ..... 12</p> <p>Section 4. Operation ..... 12</p> <p style="padding-left: 20px;">4.1 Start-up ..... 12</p>	<p>Section 5. Service and Maintenance ..... 13</p> <p style="padding-left: 20px;">5.1 Routine Maintenance ..... 13</p> <p style="padding-left: 20px;">5.2 Winterizing the Pump ..... 13</p> <p>Section 6. Troubleshooting and Repair ..... 14</p> <p style="padding-left: 20px;">6.1 Troubleshooting ..... 14</p> <p style="padding-left: 20px;">6.2 Service Technician Maintenance .... 15</p> <p style="padding-left: 40px;">6.2.1 Blocked Impeller ..... 15</p> <p style="padding-left: 40px;">6.2.2 Impeller Removal ..... 15</p> <p style="padding-left: 40px;">6.2.3 Impeller Replacement ..... 16</p> <p style="padding-left: 40px;">6.2.4 Mechanical Seal Replacement ..... 17</p> <p style="padding-left: 40px;">6.2.5 Motor Replacement ..... 18</p> <p>Section 7. Product Specifications and Technical Data ..... 19</p> <p style="padding-left: 20px;">7.1 Replacement Parts List ..... 19</p> <p style="padding-left: 20px;">7.2 Exploded View ..... 20</p> <p style="padding-left: 20px;">7.3 SHPF and SHPM Pump Curves ..... 21</p> <p style="padding-left: 20px;">7.4 Physical and Operational Specifications ..... 22</p> <p style="padding-left: 40px;">7.4.1 SHPF Pump Specifications ..... 22</p> <p style="padding-left: 40px;">7.4.2 SHPM Pump Specifications ..... 22</p> <p style="padding-left: 40px;">7.4.3 Pump Dimensions ..... 23</p> <p style="padding-left: 20px;">7.5 SHP Replacement Motor Guide ..... 23</p>
---	--

<b>EQUIPMENT INFORMATION RECORD</b>	
<b>DATE OF INSTALLATION</b> _____	
<b>INSTALLER INFORMATION</b> _____	
<b>INITIAL PRESSURE GAUGE READING (WITH CLEAN FILTER)</b> _____	
<b>PUMP MODEL</b> _____	<b>HORSEPOWER</b> _____
<b>NOTES:</b> _____	
_____	
_____	

# Section 1. IMPORTANT SAFETY INSTRUCTIONS

## READ AND FOLLOW ALL INSTRUCTIONS

### 1.1 Safety Instructions

All electrical work must be performed by a licensed electrician and conform to all national, state, and local codes. When installing and using this electrical equipment, basic safety precautions should always be followed, including the following:

 **WARNING**

**RISK OF SUCTION ENTRAPMENT HAZARD, WHICH, IF NOT AVOIDED, CAN RESULT IN SERIOUS INJURY OR DEATH.** Do not block pump suction as this can cause severe injury or death. Do not use this pump for wading pools, shallow pools or spas containing bottom drains, unless the pump is connected to at least two functioning suction outlets. Drain covers must be certified to ANSI/ASME A112.19.8.

 **WARNING**

To reduce the risk of injury, do not permit children to use this product.

 **WARNING**

To reduce the risk of property damage or injury, do not attempt to change the backwash (multiport, slide, or full flow) valve position with the pump running.

 **WARNING**

Jandy pumps are powered by a high voltage electric motor and must be installed by a licensed or certified electrician or a qualified swimming pool service technician.

 **WARNING**

Due to the potential risk of fire, electric shock, or injuries to persons, Jandy Pumps must be installed in accordance with the National Electrical Code (NEC), all local electrical and safety codes, and the Occupational Safety and Health Act (OSHA). Copies of the NEC may be ordered from the National Fire Protection Association, 470 Atlantic Ave., Boston, MA 02210, or contact your local government inspection agency.

 **WARNING**

Incorrectly installed equipment may fail, causing severe injury or property damage.

 **WARNING**

- Do not connect the system to an unregulated city water system or other external source of pressurized water producing pressures greater than 35 PSI.
- Trapped air in system can cause the filter lid to be blown off, which can result in death, serious personal injury, or property damage. Be sure all air is out of the system before operating.

**⚠ WARNING**

To minimize the risk of severe injury or death the filter and/or pump should not be subjected to the piping system pressurization test.

Local codes may require the pool piping system to be subjected to a pressure test. These requirements are generally not intended to apply to the pool equipment such as filters or pumps.

Jandy pool equipment is pressure tested at the factory.

However, if the WARNING cannot be followed and pressure testing of the piping system must include the filter and/or pump, **BE SURE TO COMPLY WITH THE FOLLOWING SAFETY INSTRUCTIONS:**

- Check all clamps, bolts, lids, lock rings and system accessories to ensure they are properly installed and secured before testing.
- **RELEASE ALL AIR** in the system before testing.
- Water pressure for test must **NOT EXCEED 35 PSI**.
- Water temperature for test must **NOT EXCEED 100°F (38°C)**.
- Limit test to 24 hours. After test, visually check system to be sure it is ready for operation.

**Notice:** These parameters apply to Jandy equipment only. For non-Jandy equipment, consult equipment manufacturer.

**⚠ WARNING**

Chemical spills and fumes can weaken pool/spa equipment. Corrosion can cause filters and other equipment to fail, resulting in severe injury or property damage. Do not store pool chemicals near your equipment.

**CAUTION**

**Do not start pump dry!** Running the pump dry for any length of time will cause severe damage and will void the warranty.

**CAUTION**

This pump is for use with permanently installed pools and may also be used with hot tubs and spas if so marked. Do not use with storable pools. A permanently installed pool is constructed in or on the ground or in a building such that it cannot be readily disassembled for storage. A storable pool is constructed so that it may be readily disassembled for storage and reassembled to its original integrity.

**CAUTION**

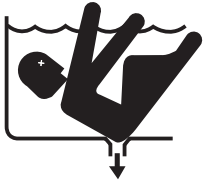
Do not install within an outdoor enclosure or beneath the skirt of a hot tub or portable spa. The pump requires adequate ventilation to maintain air temperature at less than the maximum ambient temperature rating listed on the motor rating plate.

**CAUTION**

The 3-phase SHPF series pumps utilize non-thermally protected motor assemblies. NRTL Listed Motor Controller with internal motor running overload protection or external motor running overload are required during the final installation of the pump assembly. Overloads shall be set at a maximum of 125% of the full-load current rating of the pump motor assembly.

**SAVE THESE INSTRUCTIONS**

## 1.2 Pool Pump Suction Entrapment Prevention Guidelines



### WARNING

**SUCTION HAZARD.** Can cause serious injury or death. Do not use this pump for wading pools, shallow pools or spas containing bottom drains, unless the pump is connected to at least two (2) functioning suction outlets.

### WARNING

**Pump suction is hazardous and can trap and drown or disembowel bathers. Do not use or operate swimming pools, spa, or hot tubs if a suction outlet cover is missing, broken, or loose.**

The following guidelines provide information for pump installation that minimizes the risk of injury to users of pools, spas, and hot tubs:

**Entrapment Protection** - The pump suction system must provide protection against the hazards of suction entrapment.

**Suction Outlet Covers** - All suction outlets must have correctly installed, screw-fastened covers in place. All suction outlet (drain) covers must be maintained. Drain covers must be listed/certified to the latest version of ANSI/ASME A112.19.8. They must be replaced if cracked, broken, or missing.

**Number of Suction Outlets Per Pump** - Provide at least two (2) hydraulically-balanced main drains, with covers, as suction outlets for each circulating pump suction line. The centers of the main drains (suction outlets) on any one (1) suction line must be at least three (3) feet apart, center to center. See Figure 1 on page 7.

The system **must** be built to include at least two (2) suction outlets (drains) connected to the pump whenever the pump is running. However, if two (2) main drains run into a single suction line, the single suction line may be equipped with a valve that will shut off both main drains from the pump. The system shall be constructed such that it shall not allow for separate or independent shutoff or isolation of each drain. See Figure 1 on page 7.

More than one (1) pump can be connected to a single suction line as long as the requirements above are met.

**Water Velocity** - The maximum water velocity through the suction fitting or cover for any suction outlet must be 1.5 feet per second unless the outlet complies with the latest version of ANSI/ASME A112.19.8, the standard for *Suction Fittings For Use in Swimming and Wading Pools, Spas, Hot Tubs, and Whirlpool Bathtub Applications*. In any case, do not exceed the suction fitting's maximum designed flow rate.

If 100% of the pump's flow comes from the main drain system, the maximum water velocity in the pump suction hydraulic system must be 6 feet per second or less, even if one (1) main drain (suction outlet) is completely blocked. The flow through the remaining main drain(s) must comply with the latest version of ANSI/ASME A112.19.8, the standard for *Suction Fittings For Use in Swimming and Wading Pools, Spas, Hot Tubs, and Whirlpool Bathtub Applications*.

**Testing and Certification** - Suction outlet covers must have been tested by a nationally recognized testing laboratory and found to comply with the latest version of ANSI/ASME A112.19.8, the standard for *Suction Fittings For Use in Swimming and Wading Pools, Spas, Hot Tubs, and Whirlpool Bathtub Applications*.

**Fittings** - Fittings restrict flow; for best efficiency use fewest possible fittings (but at least two (2) suction outlets).

Avoid fittings which could cause an air trap.

Pool cleaner suction fittings must conform to applicable International Association of Plumbing and Mechanical Officials (IAPMO) standards.

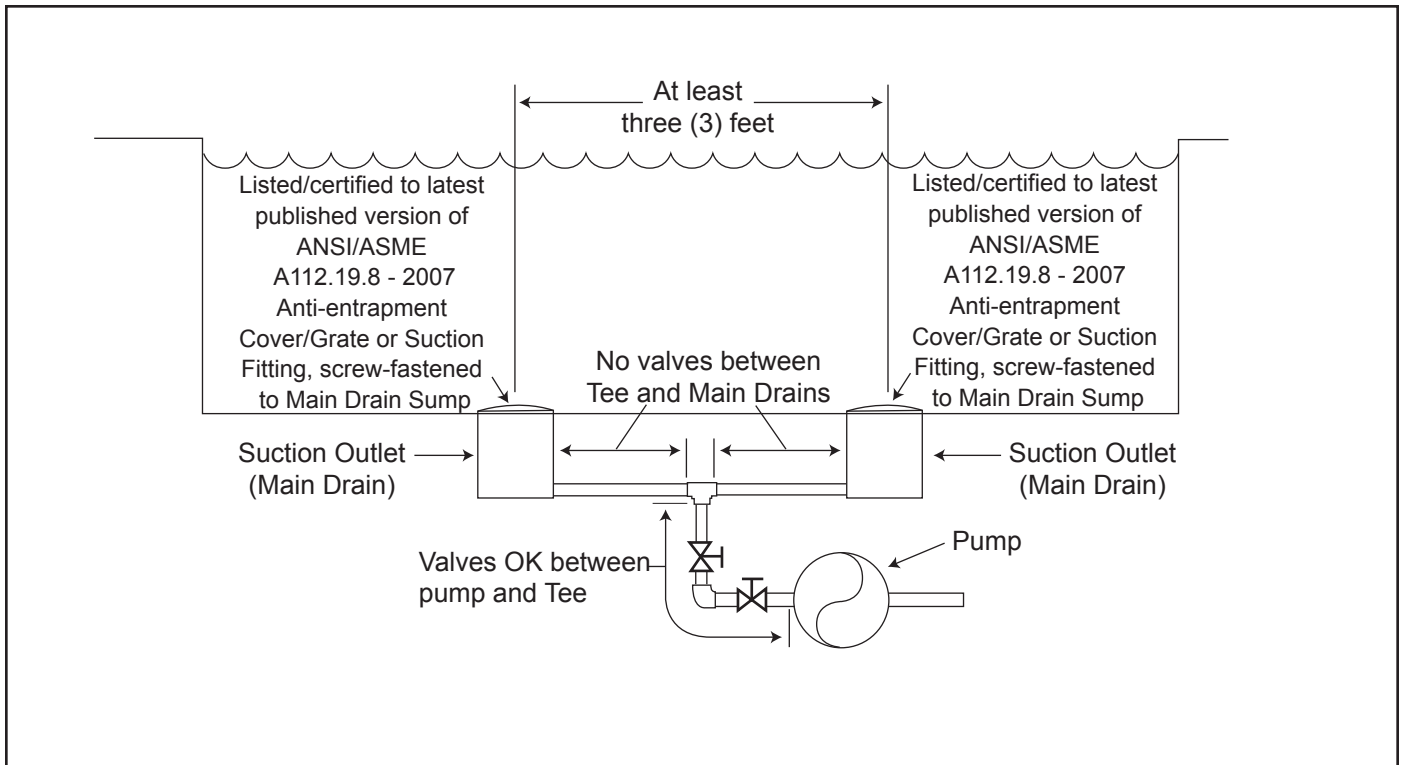


Figure 1. Number of Suction Outlets Per Pump

## Section 2. General Description

### 2.1 Introduction

This manual contains information for the proper installation, operation and maintenance of Jandy Stealth (SHP) Series Pumps. Procedures in this manual must be followed exactly. To obtain additional copies of this manual contact Zodiac Pool Systems, Inc. at 800.822.7933. For address information, see the back cover of this manual.

### 2.2 Description

Jandy SHP Pumps are designed to meet the needs of today's more hydraulically demanding pool equipment. The pump housing, backplate, diffuser, hair and lint pot (pump debris filter basket), and impeller are all made from high quality thermoplastic materials. These materials were chosen for their strength and corrosion resistance.

The pump is driven by an electric motor directly attached to the pump impeller. As the electric motor turns, it causes the impeller to turn, which forces water to flow through the pump. The water flows through the pump inlet and then into the filter basket. The basket assembly pre-strains and traps large particles. The water then enters the center of the pump housing, flows through the impeller into the diffuser, and then flows out the pump discharge port.

## Section 3. Installation

### 3.1 Plumbing

#### 3.1.1 Preparation

1. Upon receipt of the pump, check the carton for damage. Open the carton and check the pump for concealed damage, such as cracks, dents or a bent base. If damage is found, contact the shipper or distributor where you purchased the pump.
2. Inspect the contents of the carton and verify that all the parts are included. See Section 7.1, Replacement Parts List.

#### 3.1.2 Pump Location

1. Zodiac Pool Systems, Inc. recommends installing the pump within one (1) foot above the water level. The pump should not be elevated more than a few feet above the water level of the pool. A check valve is recommended on the suction line to the pump.

**NOTE** Better self-priming will be achieved if the pump is installed as close as possible to the water level of the pool.

2. If the pump is located below water level, isolation valves must be installed on both the suction and return lines to prevent back flow of pool water during any routine or required servicing.

#### WARNING

Some Safety Vacuum Release System (SVRS) devices are not compatible with installation of check valves. If the pool has an SVRS device, be sure to confirm that it will continue to safely operate when any check valves are installed.

3. The pump and other circulation equipment must be located more than five (5) feet from the water. Choose a location that will minimize turns in the piping.

**NOTE** In Canada, the pump must be located a minimum of three (3) meters [approximately ten (10) feet] from the water (CSA C22.1).

4. The pump must be placed on a solid foundation that will not vibrate. To further reduce the possibility of vibration noise, bolt the pump to the foundation.

**NOTE** Zodiac Pool Systems, Inc. recommends bolting the pump directly to the foundation.

5. The pump foundation must have adequate drainage to prevent the motor from getting wet. The pump needs to be protected from the rain and sun.
6. Proper ventilation is required for the pump to operate normally. All motors generate heat that must be removed by providing proper ventilation.
7. Provide access for future service by leaving a clear area around the pump. Allow plenty of space above the pump to remove the lid and basket for cleaning.
8. If the equipment is under cover, provide adequate lighting.

#### 3.1.3 Pipe Sizing

**NOTE** All HP ratings given in this section apply to full-rated pumps. For help with max-rated pumps, contact Zodiac Technical Support at 800.822.7933.

##### 3.1.3.1 Suction Pipe

When the pump is located up to 50 feet from the pool, the recommended minimum pipe size for the suction side of the pump is:

- 2" for .75 to 1.5 HP\*
- 2½" for 2.0 HP\*



- 3" for 3.0 HP\*
- 4" for 5.0 HP\*

\* HP refers to full-rated pumps

### 3.1.3.2 Discharge Pipe

When the pump is located up to 50 feet from the pool, the recommended minimum pipe size for the discharge side of the pump is:

- 2" for .75 to 1.5 HP\*
- 2½" for 2.0 HP\*
- 3" for 3.0 HP\*
- 4" for 5.0 HP\*

\* HP refers to full-rated pumps

**NOTE** All pipe sizes are able to withstand the pressures the pump will deliver, but not necessarily the flow. If the pipe is too small for the pump, or it is elevated above water, the maximum gallons per minute (GPM) may not be delivered. If this happens, the pump will develop an air pocket (cavitation) that will make noise and the pump life will be shortened.

### 3.1.3.3 Installation Recommendations

1. If the pump is located below water level, isolation valves must be installed on both sides of the pump to prevent back flow of pool water during any routine or required servicing.
2. To help prevent difficulty in priming, install the suction pipe without high points (above inlet of pump - inverted "U"s in plumbing), which can trap air. For installations of equipment up to 100 feet from the water, refer to the pipe sizing chart, Table 1. For installations of equipment more than 100 feet from the water, the recommended pipe must be increased to the next size.

**Table 1. Pipe Sizing Chart for Schedule 40 PVC**

Pipe Size	Maximum Flow Suction (8 feet per second)	Maximum Flow Discharge (10 feet per second)
1½"	50 GPM (189 LPM)	65 GPM (246 LPM)
2"	85 GPM (322 LPM)	105 GPM (397 LPM)
2½"	120 GPM (454 LPM)	149 GPM (564 LPM)
3"	184 GPM (697 LPM)	230 GPM (871 LPM)
4"	317 GPM (1203 LPM)	397 GPM (1502 LPM)

3. SHP Pumps come equipped with unions on both the suction and discharge ports. This feature simplifies installation and service, and eliminates the possibility of leaks at threaded adapters.

4. The SHP Pump must be connected to at least two (2) hydraulically balanced main drains (suction outlets) for each pool pump suction line. Each drain must be provided with covers that are listed or certified to the latest version of ANSI/ASME A112.19.8. The suction outlets of the main drains must be at least three (3) feet apart or at different planes. The suction outlets can be a drain and skimmer, two (2) drains, two (2) skimmers, or a skimmer with an equalizer line installed. Check the local codes for proper installation requirements.

**NOTE** To prevent entrapment, the system must be built so that it cannot operate with the pump drawing water from only one (1) main drain. At least two (2) main drains **must** be connected to the pump when it is in operation. However, if two (2) main drains run into a single suction line, the single suction line may be equipped with a valve which will shut off both main drains from the pump.

5. The piping must be well supported and not forced together where constant stress will be experienced.
6. Always use properly sized valves. Jandy Diverter Valves and Jandy Ball Valves typically have the best flow capabilities.
7. Use the fewest fittings possible. Every additional fitting has the effect of moving the equipment farther away from the water.

**NOTE** If more than 10 suction fittings are needed, the pipe size must be increased.

8. If this is a new installation, pressure test according to local codes. See *Section 3.3, Pressure Testing*.

## 3.2 Electrical Installation

### 3.2.1 Voltage Checks

The correct voltage, as specified on the pump data plate, is necessary for proper performance and long motor life. Incorrect voltage will decrease the pump's ability to perform and could cause overheating, reduce the motor life, and result in higher electric bills.

It is the responsibility of the electrical installer to provide data plate operating voltage to the pump by ensuring proper circuit sizes and wire sizes for this specific application.

The National Electrical Code (NEC, NFPA-70) requires all pool pump circuits be protected with a Ground Fault Interrupter (GFCI). Therefore, it is also the responsibility of the electrical installer to ensure that the pump circuit is in compliance with this and all other applicable requirements of the National Electrical Code (NEC) and any other applicable installation codes.

**CAUTION**

Failure to provide data plate voltage (within 10%) during operation will cause the motor to overheat and void the warranty.

**3.2.2 Bonding and Grounding**

1. The motor frame must be grounded to a reliable grounding point using a solid copper conductor, No. 8 AWG or larger. In Canada, No. 6 AWG or larger must be used. If the pump is installed within five (5) feet of the inside walls of the swimming pool, spa, or hot tub, the motor frame must be bonded to all metal parts of the swimming pool, spa, or hot tub structure and to all electrical equipment, metal conduit, and metal piping within five (5) feet of the inside walls of the swimming pool, spa, or hot tub.
2. Bond the motor using the provided external lug.

**⚠ WARNING**

To avoid the risk of property damage, severe personal injury, and/or death, always disconnect the power source before working on a motor or its connected load.

**⚠ WARNING**

To avoid the risk of property damage, severe personal injury, and/or death, make sure that the control switch or time clock is installed in an accessible location so that in the event of an equipment failure or a loose plumbing fitting the equipment can be turned off. This location must **not** be in the same area as the pool pump, filter, and other equipment.

**CAUTION**

The pump must be permanently connected to a dedicated electrical circuit. No other equipment, lights, appliances or outlets may be connected to the pump circuit, with the exception of devices that may be required to operate simultaneously with the pump, such as a chlorinating device or heater.

**3.2.3 Electrical Wiring**

1. The pump motor must be securely and adequately grounded using the green screw provided. Ground before attempting to connect to an electrical power supply. **Do not ground to a gas supply line.**
2. Wire size must be adequate to minimize voltage drop during the start-up and operation of the pump. See Table 2 for recommended wire sizes.
3. Insulate all connections carefully to prevent grounding or short-circuits. Sharp edges on terminals require extra protection. To prevent wire nuts from loosening, tape them using a suitable, listed (UL, ETL, CSA) electrical insulating tape. For safety, and to prevent entry of contaminants, reinstall all conduit and terminal box covers. **Do not force connections into the conduit box.**
4. To configure the internal wiring of the pump motor for the correct voltage, refer to the diagram on the motor data plate.

**Table 2. Recommended Minimum Wire Size**

<b>RECOMMENDED MINIMUM WIRE SIZE FOR SHP PUMPS*</b>										
Distance from Sub-Panel		0-50 Feet		50-100 Feet		100-150 Feet		150-200 Feet		
Pump Model	Branch Fuse AMPs Class: CC, G, H, J, K, RK, or T		Voltage		Voltage		Voltage		Voltage	
	230VAC	115VAC	208-230 VAC	115 VAC	208-230 VAC	115 VAC	208-230 VAC	115 VAC	208-230 VAC	115 VAC
SHPF .50HP/SHPM .75HP	15A	15A	14	12	12	8	10	6	8	6
SHPF .75HP/SHPM 1.0HP	15A	15A	14	12	12	8	10	6	8	6
SHPF 1.0HP/SHPM 1.5HP	15A	20A	12	10	10	8	8	6	6	4
SHPF 1.0-3PH	15A	N/A	14	N/A	12	N/A	10	N/A	8	N/A
SHPF 1.5HP/SHPM 2.0HP	15A	N/A	12	N/A	10	N/A	8	N/A	6	N/A
SHPF 1.5-3PH	15A	N/A	12	N/A	10	N/A	8	N/A	6	N/A
SHPF 2.0HP/SHPM 2.5HP	15A	N/A	12	N/A	8	N/A	6	N/A	6	N/A
SHPF 2.0-3PH	15A	N/A	12	N/A	10	N/A	8	N/A	6	N/A
SHPF 3.0HP	20A	N/A	10	N/A	8	N/A	6	N/A	4	N/A
SHPF 3.0-3PH	15A	N/A	12	N/A	8	N/A	6	N/A	6	N/A
SHPF 5.0	25A	N/A	10	N/A	8	N/A	6	N/A	6	N/A
SHPF 1.0HP-2-SPD (1)	15A	N/A	12	N/A	10	N/A	8	N/A	6	N/A
SHPF 1.5HP-2-SPD (1)	15A	N/A	12	N/A	10	N/A	8	N/A	6	N/A
SHPF 2.0HP-2-SPD (1)	15A	N/A	12	N/A	8	N/A	6	N/A	6	N/A
SHPM 1.5HP-2-SPD (1)	15A	N/A	12	N/A	10	N/A	8	N/A	6	N/A
SHPM 2.0HP-2-SPD (1)	15A	N/A	12	N/A	10	N/A	8	N/A	6	N/A
SHPM 2.5HP-2-SPD (1)	15A	N/A	12	N/A	8	N/A	6	N/A	6	N/A

\*Assumes three (3) copper conductors in a buried conduit and 3% maximum voltage loss in branch circuit. All National Electrical Code (NEC) and local codes must be followed. Table shows minimum wire size and branch fuse recommendations for a typical installation per NEC.

(1) Two-speed pumps are not rated for use with 208 VAC.

### 3.3 Pressure Testing

All Jandy model SHP pumps come with an additional disposable o-ring for pressure testing. This is the blue pressure test o-ring. See Figures 2 and 3.

**CAUTION**

Do not open the pump lid before pressure testing, because the blue pressure test o-ring may fall out. If this happens, you will need to replace it.

If you have not opened the pump lid, skip to Section 3.3.2, *Conduct Pressure Test*.

#### 3.3.1 Replace Blue Pressure Test O-ring if Necessary

If you open the pump lid **before** conducting the pressure test, the blue o-ring will probably fall out. If this happens, you will need to install it on the lid again before conducting pressure testing.

There is a risk of damage to the blue o-ring during re-installation. If you damage it when trying to re-install it, you will need to order a new blue pressure test o-ring (R0479000) before you begin conducting the pressure test.

These instructions describe the proper procedures for replacing, using, and disposing of the blue o-ring.

**These instructions must be followed exactly. Read through the instructions completely before starting the procedure.**

##### 3.3.1.1 Remove Pump Lid

1. Make sure that the pump is turned off.
2. Make sure that the switch to the circuit breaker that powers the pump motor is turned off.

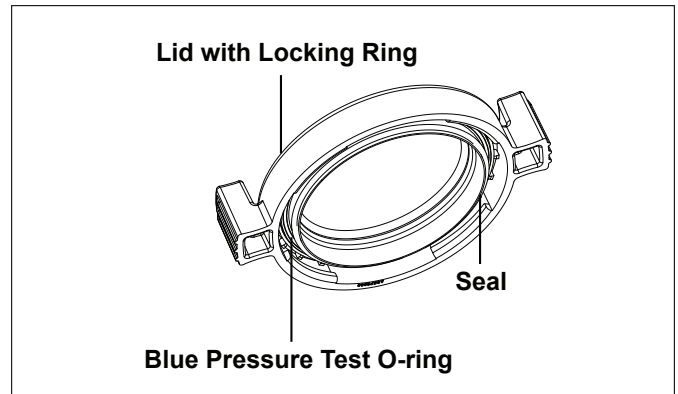
**⚠ WARNING**

Turn off the pump and the main breaker in the pump electrical circuit before starting the procedure. Failure to comply may cause a shock hazard, resulting in severe personal injury or death.

**⚠ WARNING**

Due to the potential risk of fire, electric shock, or injuries to persons, Jandy Pumps must be installed in accordance with the National Electrical Code (NEC), in the USA, or the Canadian Electrical Code (CEC) in Canada. All applicable local codes must also be followed.

The NEC may be obtained by contacting the National Fire Protection Association (NFPA) at 1-800-344-3555 or 1-617-770-3000.



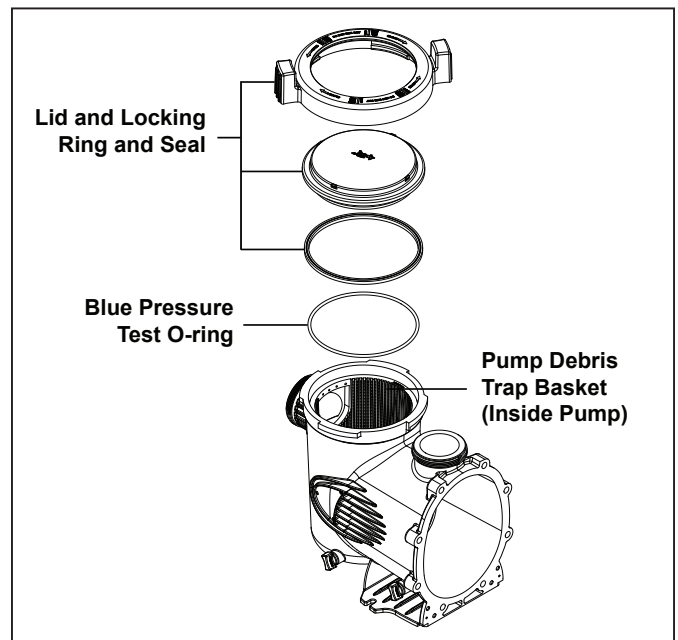
**Figure 3. Blue Pressure Test O-ring in Lid Assembly**

3. Make sure all necessary isolation valves are closed to prevent pool water from reaching the pump.
4. Following the markings on the locking ring, turn the ring counter-clockwise until the ‘START’ markings align with the ports.
5. Carefully remove the lid with locking ring.

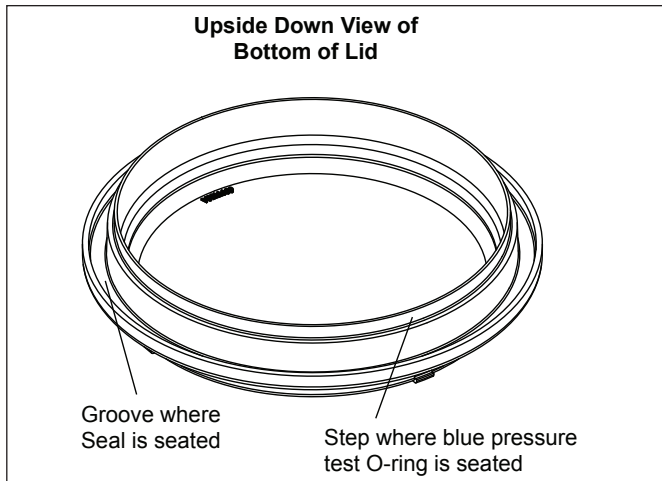
##### 3.3.1.2 Replace Blue O-ring

1. Turn the lid with locking ring upside down and place it on a stable surface.
2. Place the blue o-ring on the step located ¼" from the bottom of the lid. (See Figure 4.)
3. Make sure that the o-ring is properly seated. It helps to “place” the o-ring on the step rather than to “roll” it on. That prevents it from rolling off.

**NOTE** The blue o-ring sits approximately ¼" away from the seal. See Figure 4.



**Figure 2. Exploded View of Pump**



**Figure 4. Placement of Blue Pressure Test O-ring**

4. Carefully install the lid, making sure that the blue pressure test o-ring sits in the housing without “binding” or “rolling” off.
5. Following the markings on the locking ring, align ‘START’ markings with the ports and turn clockwise until ‘LOCKED’ markings align with the ports. *Do not tighten past the ‘LOCKED’ marking.*

### 3.3.2 Conduct Pressure Test

#### **⚠ WARNING**

When pressure testing a system with water, air is often trapped in the system during the filling process. This air will compress when the system is pressurized. Should the system fail, this trapped air can propel debris at a high speed and cause injury. Every effort to remove trapped air must be taken, including opening the bleed valve on the filter and loosening the pump basket lid while filling the pump.

#### **⚠ WARNING**

Trapped air in system can cause filter lid to be blown off, which can result in death, serious personal injury, or property damage. Be sure all air is properly out of system before operating. **DO NOT USE COMPRESSED AIR TO PRESSURE TEST OR CHECK FOR LEAKS.**

#### **⚠ WARNING**

When pressure testing the system with water, it is very important to make sure that the pump basket lid is completely secure.

#### **⚠ WARNING**

Do not pressure test above 35 PSI. Pressure testing must be done by a trained pool professional. Circulation equipment that is not tested properly can fail, which could result in severe injury or property damage.

1. Fill the system with water, using care to eliminate trapped air.
2. Pressurize the system with water to no more than 35 PSI.
3. Close the valve to trap pressurized water in the system.
4. Observe the system for leaks and/or pressure decay.
5. If there are lid leaks, repeat steps 1-3. For technical support, call 800.822.7933.
6. Discard the blue pressure test o-ring after successfully completing the test.

## Section 4. Operation

### 4.1 Start-up

#### **CAUTION**

Never run the pump without water. Running the pump “dry” for any length of time can cause severe damage to both the pump and motor and will void the warranty.

If this is a new pool installation, make sure all piping is clear of construction debris and has been properly pressure tested. The filter should be checked for proper installation, verifying all connections and clamps are secure according to the manufacturer's recommendations.

#### **⚠ WARNING**

To avoid risk of damage or injury, verify that all power is turned off before starting this procedure.

1. Release all pressure from the system and open the filter pressure release valve.
2. If the pump is located below the water level of the pool, opening the filter pressure release valve will prime the pump with water.
3. If the pump is located above the water level of the pool, remove the lid and fill the basket with water before starting the pump.
4. Prior to replacing the lid, check for debris around the lid o-ring seat. Debris around the lid o-ring seat will cause air to leak into the system, and make it difficult to prime the pump.

5. Hand-tighten the lid to make an air tight seal. Do not use any tools to tighten the lid, hand-tighten only. Make sure all valves are open and the unions are tight.
6. Turn on the power to the pump. Then turn on the pump.
7. Once all the air has left the filter, close the pressure release valve.
8. The pump should prime. The time it takes to prime will depend on the elevation and length of pipe used on the suction supply pipe. See *Section 3.1.3.3* for proper elevation and pipe size.
9. If the pump does not prime and all the instructions to this point have been followed, check for a suction leak and then repeat Steps 2 through 7.
7. Hand-tighten the lid to make an air tight seal. ***Do not use any tools to tighten the lid: hand-tighten only.***
8. Verify that all valves have been returned to the proper position for normal operation.
9. Open the pressure release valve on the filter, and make sure it is clean and ready for operation.
10. Turn on the power to the pump. Once all the air has been evacuated from the filter, close the pressure release valve.

## Section 5. Service and Maintenance

### 5.1 Routine Maintenance

Inspect the pump basket for debris by looking through the clear pump lid. Remove any debris, because as debris accumulates, it will begin to block the flow of water through the pump. Keep the basket clean to improve the performance of the pump.

1. Turn off the power to the pump. If the pump is located below the water level, close the isolation valves on the suction and discharge sides of the pump to prevent a backflow of water.
2. Turn the lid's locking ring counter-clockwise until 'START' aligns with the ports. (You may use a tool for leverage to open the lid, but ***never to tighten the lid*** when closing it.) Carefully remove the lid.

#### CAUTION

A misaligned basket will cause the lid to be improperly seated, allowing an air leak which could result in pump damage.

3. Lift the basket out of the pump.
4. Dispose of the debris and thoroughly clean the basket, making sure all the holes are open. Using a garden hose, spray the basket from the outside to help clear the holes. Use your hands to remove any remaining debris.
5. Replace the basket in the pump by aligning the opening with the suction pipe. If aligned properly, the basket will drop easily into place. ***Do not force into place.***
6. Prior to replacing the lid, check for debris around the lid o-ring seat, as this will cause air to leak into the system. Clean the lid o-ring and place it on the lid.
1. Drain ***all*** water from the pump, system equipment, and piping.
2. Remove the two drain plugs. Store the drain plugs in a safe location and reinstall them when the cold weather season is over. ***Do not lose the o-rings.*** (Drain Plug with O-ring Set, R0446000)
3. Keep the motor covered and dry.

### 5.2 Winterizing the Pump

#### CAUTION

The pump ***must*** be protected when freezing temperatures are expected. Allowing the pump to freeze will cause severe damage and void the warranty.

#### CAUTION

***Do not use antifreeze solutions in the pool, spa, or hot tub systems!*** Antifreeze is highly toxic and may damage the circulation system. The only exception to this is Propylene Glycol. For more information see your local pool/spa supply store or contact a qualified swimming pool service company.

- NOTE** Covering the pump with plastic will create condensation, and this moisture will damage the pump. The best way to protect your pump is to have a qualified service technician or electrician properly disconnect the electrical wiring at the switch or junction box. Once the power is removed, the two unions can be loosened and the pump stored indoors. For safety, and to prevent entry of contaminants, reinstall all conduit and terminal box covers.
4. When the system is reopened for operation, make sure all piping, valves, wiring, and equipment are in accordance with the manufacturer's recommendations. Pay close attention to the filter and electrical connections.
  5. The pump must be primed prior to starting; refer to *Section 4.1, Start-up*.

## Section 6. Troubleshooting and Repair

Zodiac Pool Systems, Inc. strongly recommends that you call a qualified service technician to perform any repairs on the filter/pump system. To locate an independent service company, check your local yellow pages or visit [www.jandy.com](http://www.jandy.com) and click on "Product Support."

### 6.1 Troubleshooting

Symptom	Possible Problem/Solution
The cleaning/circulating system is not operating correctly.	<p>Verify that skimmer baskets, pump basket and other screens are clean. Clean as necessary.</p> <p>Check filter and clean as necessary.</p> <p>Check valve positions. Adjust as necessary.</p> <p><b>NOTE</b> Multiple pieces of equipment operating at one time (for example, waterfalls, spa jets, and surface returns) may prevent the cleaning system from working properly.</p> <p>Check the cleaning system manually to ensure that the system is adjusted according to the manufacturer's recommendations.</p>
Bubbles present in the pump basket.	<p>Air in system. Check the pool or spa water level to ensure it is at the proper level and that air is not being drawn into the suction piping. If the water is at normal level, turn off the pump. Remove the lid and check for debris around the lid o-ring seat or improper installation of the lid seal, as this either of these conditions will cause air to leak into the system. Clean the lid o-ring and place on the lid. Hand-tighten the lid to make an air tight seal. <b>Do not use any tools to tighten the lid.</b> Turn the pump back on.</p>
Air leaks are still present.	<p>Check the suction side piping union. While the pump is running, try to tighten the union. If this does not stop the air leak, turn off the pump. Loosen both unions and slide the pump out of the way. Remove, clean and re-install both union o-rings.</p> <p>Reposition the pump next to the piping and secure the union nuts to the pump. With clean union o-rings, hand-tightening of the unions should create a seal. If the unions still do not seal, gently tighten with a large pair of tongue-and-groove pliers.</p> <p><b>Do not over-tighten.</b></p>
There is no air in the system, but the pressure is still low.	<p>It is possible that debris is caught in the pump impeller. The pump impeller moves the water, and the vanes in the impeller can become blocked with debris. See <i>Section 6.2, Service Technician Maintenance, 6.2.1, Blocked Impeller</i>, for more information.</p>
There is no debris blocking the impeller <b>and</b> the pressure is still low.	<p>The pump impeller and diffuser are showing signs of normal wear. Have a qualified service technician check the impeller and diffuser and replace as necessary.</p> <p>If the pump is part of a relatively new installation, it could be an electrical problem. Contact a qualified service technician. Have the technician check for loose electrical connections and check the voltage at the pump motor while it is in operation. The voltage must be within 10% of the motor's data plate rating. If the voltage is not within 10%, contact a qualified electrician and/or the local power service provider.</p> <p>Pump seal is leaking air. Have a qualified service technician replace the seal.</p>
The pump is leaking water between the motor and pump body.	<p>This is caused by a damaged or failed mechanical seal. Replace the seal. See <i>Section 6.2, Service Technician Maintenance, 6.2.4, Mechanical Seal Replacement</i>.</p>
The pump gets hot and shuts off periodically.	<p>Ensure that there is adequate room around the motor to circulate air and keep the motor cool. Have a qualified electrician check for loose connections and check the voltage at the pump motor while it is in operation. The voltage must be within 10% of the motor's data plate rating. If the voltage is not within 10%, contact a qualified electrician and/or the local power service provider.</p>

## 6.2 Service Technician Maintenance

### **⚠ WARNING**

This pump must be serviced by a professional service technician, qualified in pool/spa installation. The following procedures must be followed exactly. Improper installation and/or operation can create dangerous electrical hazards, which can cause high voltages to run through the electrical system, possibly causing property damage, serious injury, or death. Improper installation and/or operation will void the warranty.

### 6.2.1 Blocked Impeller

### **⚠ WARNING**

While servicing the pump, switch off the circuit breakers at the power source. Severe personal injury or death may occur if the pump starts while your hand is inside the pump.

1. Turn off the pump. Switch off the circuit breaker to the pump motor.
2. Remove the lid and basket.
3. Look inside the pump for any debris. Remove any debris found inside.
4. Replace the basket and lid.
5. Switch on the circuit breaker to the pump motor.
6. Turn on the pump, and see if the problem is solved.
7. If the impeller is still blocked with debris and it is not possible to remove the debris using steps 2 through 4, the pump will need to be disassembled in order to access the inlet and outlet of the impeller.

### 6.2.2 Impeller Removal

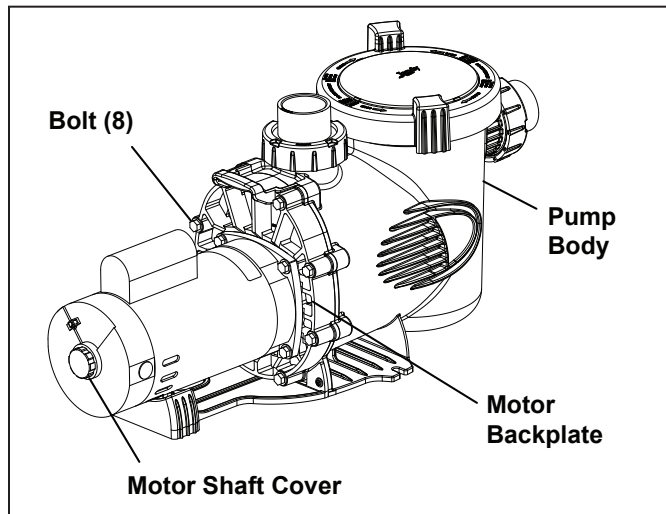
### **⚠ WARNING**

While servicing the pump, switch off the circuit breakers at the power source. Severe personal injury or death may occur if the pump starts while your hand is inside the pump.

1. Turn off the pump. Switch off the circuit breaker to the pump motor. If you are not replacing the motor, do not disconnect the electrical wiring.

**NOTE** If you are replacing the motor, Zodiac Pool Systems, Inc. strongly recommends that a qualified service technician or electrician properly disconnect the electrical wiring at the pump motor.

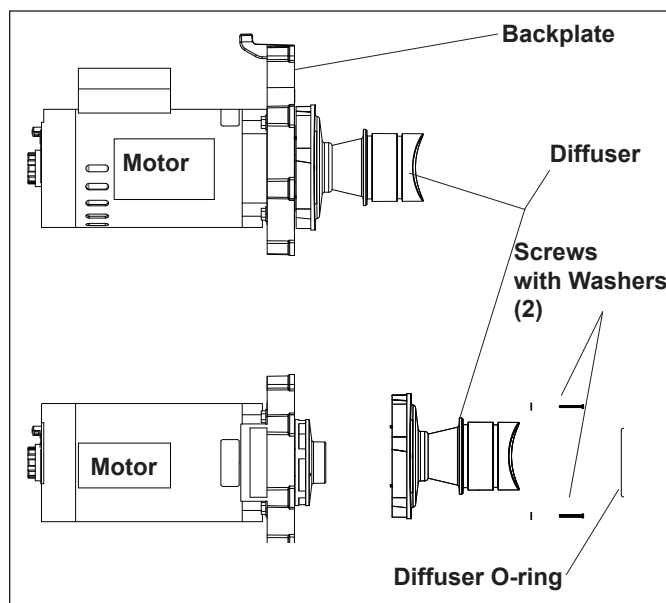
2. Turn off any valves to prevent pool water from reaching the pump. Drain the water from the pump by loosening the unions or removing the drain plugs.
3. Using a 9/16" wrench, loosen the bolts connecting the pump body to the motor backplate. See Figure 5.



**Figure 5. Remove the Pump Housing**

4. Pull the motor and backplate out of the pump body. Remove the pump body o-ring. The impeller is connected to the motor shaft.
5. Using a No. 1 Phillips screwdriver, remove the two (2) screws holding the diffuser. (The diffuser is the cover over the impeller.) Then remove the diffuser (See Figure 6). The SHPF 5.0 uses a different diffuser than other models (See Figure 8).

**NOTE** At this point you have access to the inlet and outlet of the impeller to remove any debris.



**Figure 6. Remove the Diffuser**

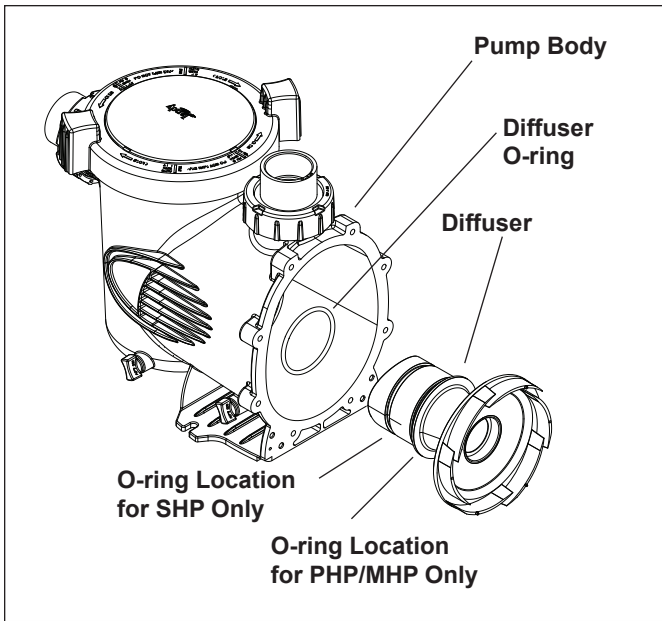


Figure 7. Location of the Diffuser O-ring

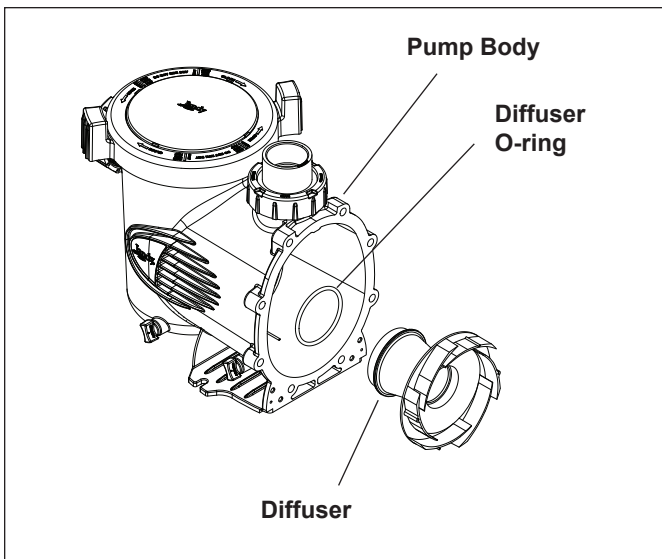


Figure 8. Location of the Diffuser O-ring on a SHPF 5.0 HP Only

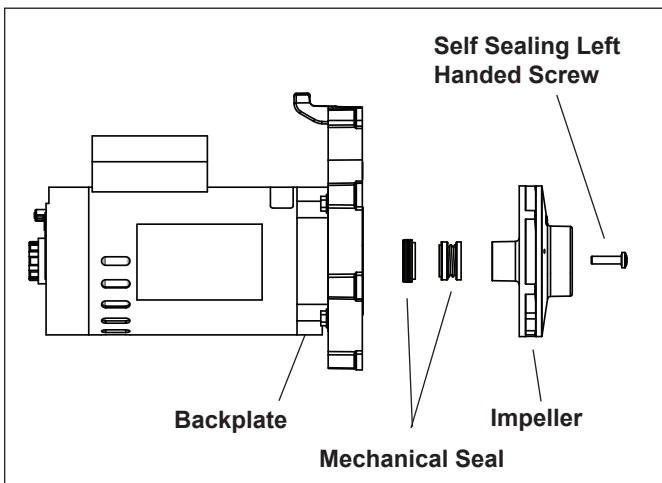


Figure 9. Remove the Impeller

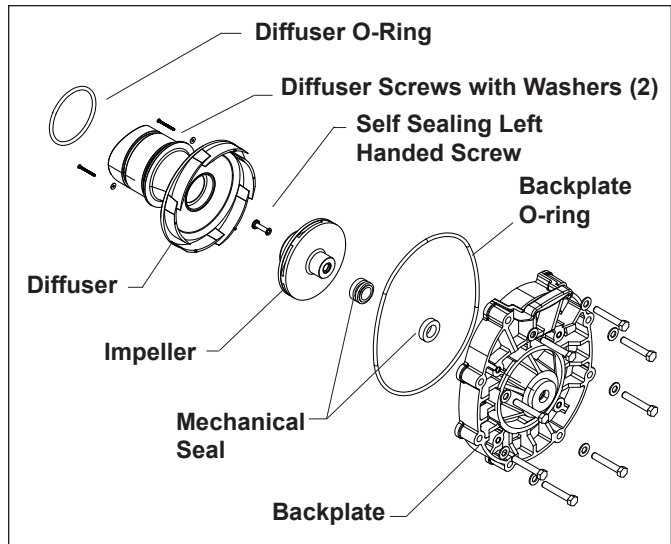


Figure 10. Diffuser and Impeller Exploded View

6. Remove the motor shaft cover on the back of the motor by twisting the hex-head screw with a 90° crescent wrench (See Figure 5). The motor shaft will be exposed.
7. Hold the exposed motor shaft with a ½" wrench while removing the impeller center screw using a No. 3 Phillips screwdriver. See Figure 9.

**NOTE** The impeller center screw is a left-hand threaded screw. Therefore, turn the screw clockwise to loosen.

8. Hold the motor shaft with a ½" wrench while unscrewing the impeller from the motor shaft with your hand.

**NOTE** The impeller is a right-handed thread, therefore turn the impeller counter-clockwise to unscrew.

9. Inspect the impeller and diffuser for signs of rubbing and/or damage.

### 6.2.3 Impeller Replacement

1. Press the new carbon face seal half (see Figure 11) on the motor shaft using a twisting motion. Make sure the carbon surface is facing toward the ceramic ring in the backplate.

#### CAUTION

**VERY IMPORTANT!** Grasp the lower portion of the seal (opposite the carbon face) when installing the seal, or it will be damaged.

**NOTE** To assist assembly, **only** use water and soap solution as a lubricant. Any other lubricant will destroy the seal after a short period of time.

**NOTE** Exercise great care to keep the seal and mating parts clean.



- While holding the motor shaft with a ½" wrench, thread the impeller onto the motor shaft. Hand-tighten the impeller until it is secure. Install the impeller center screw into the center of the impeller and tighten, using a No. 3 Phillips screwdriver. **Do not overtighten.**

**NOTE** The impeller center screw is a left-hand threaded screw. Therefore, turn the screw counter-clockwise to tighten.

- Replace the motor shaft cover by inserting the cover tabs into the slots and rotating the cover 90° clockwise.
- Replace the diffuser over the impeller, using care to insert alignment pins into the correct holes. The molded-in arrow must point toward the handle of the backplate.
- Replace the two (2) small Phillips head screws. Tighten the screws to draw the diffuser against the motor backplate.
- Make sure the diffuser o-ring, o-ring groove, and o-ring seal area are clean and free of debris, which could cause a leak. If you removed the diffuser o-ring, install it into the groove you removed it from (See Figure 7 and 8). If grease is used to retain the o-ring, it **must** be silicone based. **Do not** use petroleum-based grease. It **will** destroy the o-ring.
- Slide the diffuser into the mating hole in the pump body. While supporting the motor, start two (2) screws on opposite sides. This will hold the motor in position while you start the other six (6) screws.
- Tighten the screws lightly in a crossing "X" pattern using a 9/16" wrench, starting with the inner (middle) four (4) then the outer (top and bottom) four (4) to draw the backplate to the body in an even manner. Once all the screws are snug, torque in the same order to 18 foot-pounds.
- If the pump is located above water level of the pool, remove the lid and fill the basket with water before starting the pump.

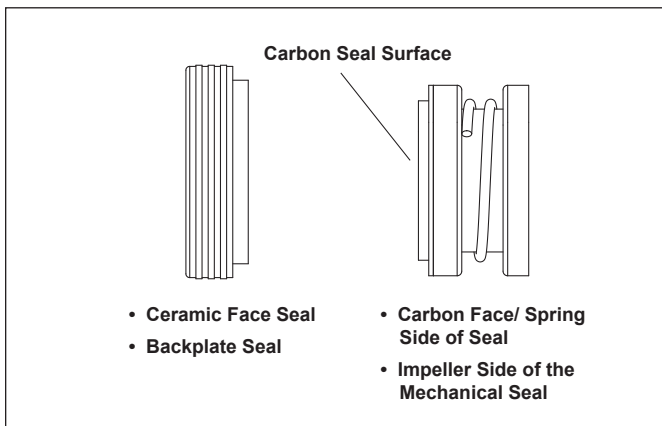


Figure 11. Replace the Mechanical Seal

- NOTE** Prior to replacing the lid, check for debris around the lid o-ring seat, as this will cause air leaks into the system.
- Hand-tighten** the lid to make an air tight seal. **Do not use any tools to tighten the lid.**
  - Open the pressure release valve on the filter, and make sure it is clean and ready for operation.
  - Switch on the circuit breaker to the pump motor.
  - Turn on the pump and check the system for normal operation.
  - Once all the air has left the filter, close the pressure release valve.

### 6.2.4 Mechanical Seal Replacement

**NOTE** This is a two part replacement process. **The mechanical seal must be replaced as a set.**

**NOTE** Refer to Figure 12 for an illustration of the location of the mechanical seal and impeller.

**⚠ WARNING**

Do not damage the ceramic or carbon surfaces of the seals. If surfaces are damaged, leaks will occur.

- To access the mechanical seal, follow steps 1 through 8 of Section 6.2.2, *Impeller Removal*.
- Remove the carbon face seal half (see Figure 11) from the motor shaft. This is a spring-loaded seal. Grasp the portion of the seal closest to the impeller body and pull the seal off using a twisting motion.
- Remove the motor from the backplate following the steps in Section 6.2.5, *Motor Replacement*.

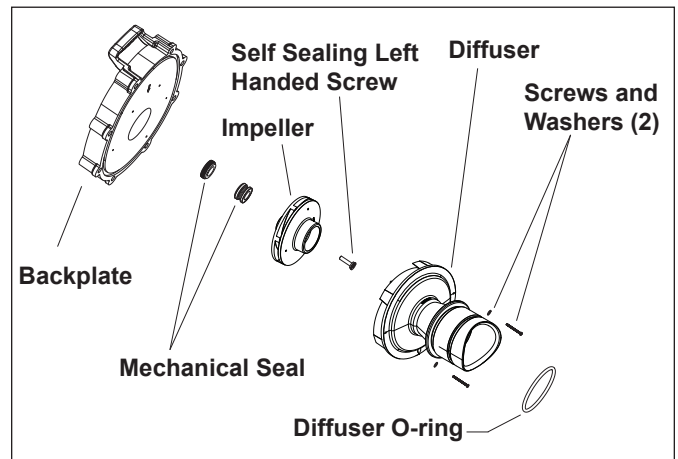


Figure 12. Backplate, Impeller, Diffuser, and Mechanical Seal Exploded View

4. Place the backplate o-ring side down and force the ceramic seal out using a screwdriver or drift.
5. Turn the backplate o-ring side up and insert the new ceramic seal side into the backplate. Use great care to press the seal in squarely with your fingers. The ceramic is easily damaged and must be pressed in using only your fingers or soft tools. Do not use any lubricant other than water and soap solution.
6. Install the motor following the steps in *Section 6.2.5, Motor Replacement*.
7. Install the backplate following the steps in *Section 6.2.3, Impeller Replacement*.

### 6.2.5 Motor Replacement

#### CAUTION

To ensure continued safety and reliable operation, Zodiac Pool Systems, Inc. requires that you replace the motor with a motor that has the identical HP rating and service factor (Zodiac Pool Systems, Inc. approved only).

#### WARNING

To avoid the risk of property damage, severe personal injury, or death, turn off the pump and switch off the circuit breaker to the pump motor before beginning this procedure.

1. Have a qualified service technician or electrician properly disconnect the electrical wiring at the pump motor.
2. To disassemble the pump housing from the motor, follow steps 1 through 8 in *Section 6.2.2, Impeller Removal*.

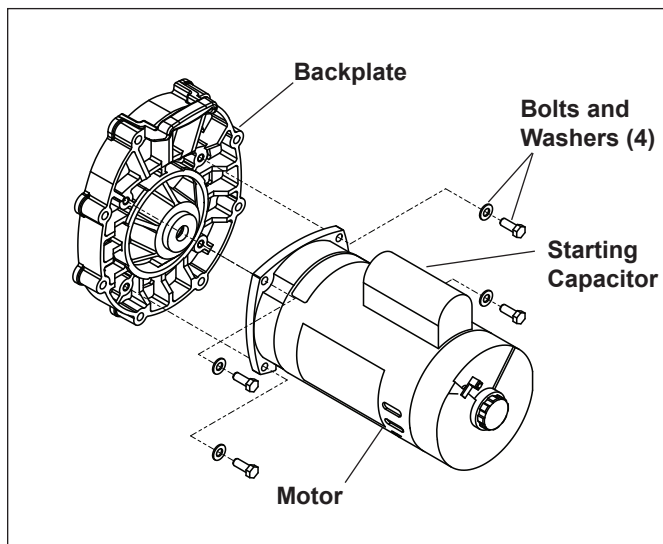


Figure 13. Backplate Assembly

3. Place the backplate motor assembly o-ring side down and unscrew the four (4) 9/16" screws and remove the motor.

**NOTE** Before removing the backplate, note the alignment of the backplate to the motor. See Figure 13.

4. If installing a new motor, remove the protective plastic cap from the motor shaft. Place the motor on the backplate so that the opening in the motor faces the bottom of the backplate. The starting capacitor on the motor should be at the 12 o'clock position.
5. Replace the four (4) bolts and washers holding the backplate to the motor.
6. To reassemble the pump after replacing the motor, follow steps 1 through 14 of *Section 6.2.3, Impeller Replacement*.
7. Have a qualified service technician or electrician properly connect the electrical wiring at the pump motor.

**NOTE** Zodiac Pool Systems, Inc. recommends that the mechanical seals be replaced at the same time the motor is replaced. See *Section 6.2.4, Mechanical Seal Replacement*, for details.

## Section 7. Product Specifications and Technical Data

### 7.1 Replacement Parts List

To order or purchase parts for Jandy pumps, contact your nearest Jandy dealer. If they cannot supply you with what you need, contact Zodiac Technical Support at 800.822.7933 or send an e-mail message to [techsupport.vista@zmp-zodiac.com](mailto:techsupport.vista@zmp-zodiac.com).

Key No.	Description	Model No. (HP)	Order Part No.
1	Single-speed Motor & Hardware, SHPF	.50	R0445114
1	Single-speed Motor & Hardware, SHPF	.75	R0445101
1	Single-speed Motor & Hardware, SHPF	1.0	R0445102
1	Single-speed Motor & Hardware, SHPF	1.5	R0445103
1	Single-speed Motor & Hardware, SHPF	2.0	R0445104
1	Single-speed Motor & Hardware, SHPF	3.0	R0445105
1	Single-speed Motor & Hardware, SHPF	5.0	R0490200
1	Single-speed Motor & Hardware, SHPM	.75	R0479301
1	Single-speed Motor & Hardware, SHPM	1.0	R0479302
1	Single-speed Motor & Hardware, SHPM	1.5	R0479303
1	Single-speed Motor & Hardware, SHPM	2.0	R0479304
1	Single-speed Motor & Hardware, SHPM	2.5	R0479305
1	Two-speed Motor & Hardware, SHPM	1.5	R0479307
1	Two-speed Motor & Hardware, SHPM	2.0	R0479308
1	Two-speed Motor & Hardware, SHPM	2.5	R0479309
1	Single-speed Motor & Hardware, SHPF, 3 Phase	1.0	R0479101
1	Single-speed Motor & Hardware, SHPF, 3 Phase	1.5	R0479102
1	Single-speed Motor & Hardware, SHPF, 3 Phase	2.0	R0479103
1	Single-speed Motor & Hardware, SHPF, 3 Phase	3.0	R0479104
1	Two-speed Motor & Hardware, SHPF	1.0	R0445113
1	Two-speed Motor & Hardware, SHPF	1.5	R0445106
1	Two-speed Motor & Hardware, SHPF	2.0	R0445107
2	Backplate Kit w/Hardware, O-ring & Mech Seals, SHPF/SHPM	.50-3.0	R0445200
2	Backplate Kit w/Hardware, O-ring & Mech Seals, SHPF	5.0	R0445201
3	Impeller & Diffuser w/Screw & O-ring, SHPF	.50	R0445301
3	Impeller & Diffuser w/Screw & O-ring, SHPF	.75	R0445302
3	Impeller & Diffuser w/Screw & O-ring, SHPF	1.0, 1.0-2	R0445303
3	Impeller & Diffuser w/Screw & O-ring, SHPF	1.5, 1.5-2	R0445304
3	Impeller & Diffuser w/Screw & O-ring, SHPF	2.0, 2.0-2	R0445305
3	Impeller & Diffuser w/Screw & O-ring, SHPF	3.0	R0445306
3	Impeller & Diffuser w/Screw & O-ring, SHPF	5.0	R0445307
3	Impeller & Diffuser w/Screw & O-ring, SHPM	0.75	R0445301
3	Impeller & Diffuser w/Screw & O-ring, SHPM	1.0	R0445302
3	Impeller & Diffuser w/Screw & O-ring, SHPM	1.5	R0445303
3	Impeller & Diffuser w/Screw & O-ring, SHPM	2.0, 2.0-2	R0445304
3	Impeller & Diffuser w/Screw & O-ring, SHPM	2.5, 2.5-2	R0445305
3	Screw w/O-ring, Self-sealing	All	R0445302-06

Key No.	Description	Model No. (HP)	Order Part No.
4	Diffuser w/O-ring & Hardware	.50-3.0	R0445400
4	Diffuser w/O-ring & Hardware	5.0	R0445401
5	Mechanical Shaft Seal (1 Set) (Carbon and Ceramic)	All	R0479400
6	Body, Pump, SHPF/SHPM	All	R0445601
7	Motor Mounting Foot Assembly w/Screws, SHPF/SHPM	All	R0445700
8	Lid w/ Locking Ring & Seal	All	R0445800
9	Blue Pressure Test O-ring	All	R0479000
10	Pump Debris Filter Basket	All	R0445900
11	Drain Plug w/O-ring (Set of 2)	All	R0446000
12	Tail Piece (2" by 2½"), O-ring & Coupling Nut (Set of 2)	.50-2.5	R0446101
12	Tail Piece (2½" by 3") with O-ring and Coupling Nut (Set of 2)	3.0-5.0	R0446102
13	Lid Seal and Lid O-ring (Lid O-ring Not Shown)	All	R0446200
14	O-ring, Backplate	All	R0446300
15	O-ring, Tail Piece (Set of 2)	All	R0446400
16	Hardware, Diffuser/Impeller	All	R0446500
17	Backplate Bolts and Washers (Set of 8)	All	R0446600
18	Motor Bolts and Washers (Set of 4)	All	R0446700
19	Screws, Motor Mounting Foot	All	R0446800

### 7.2 Exploded View

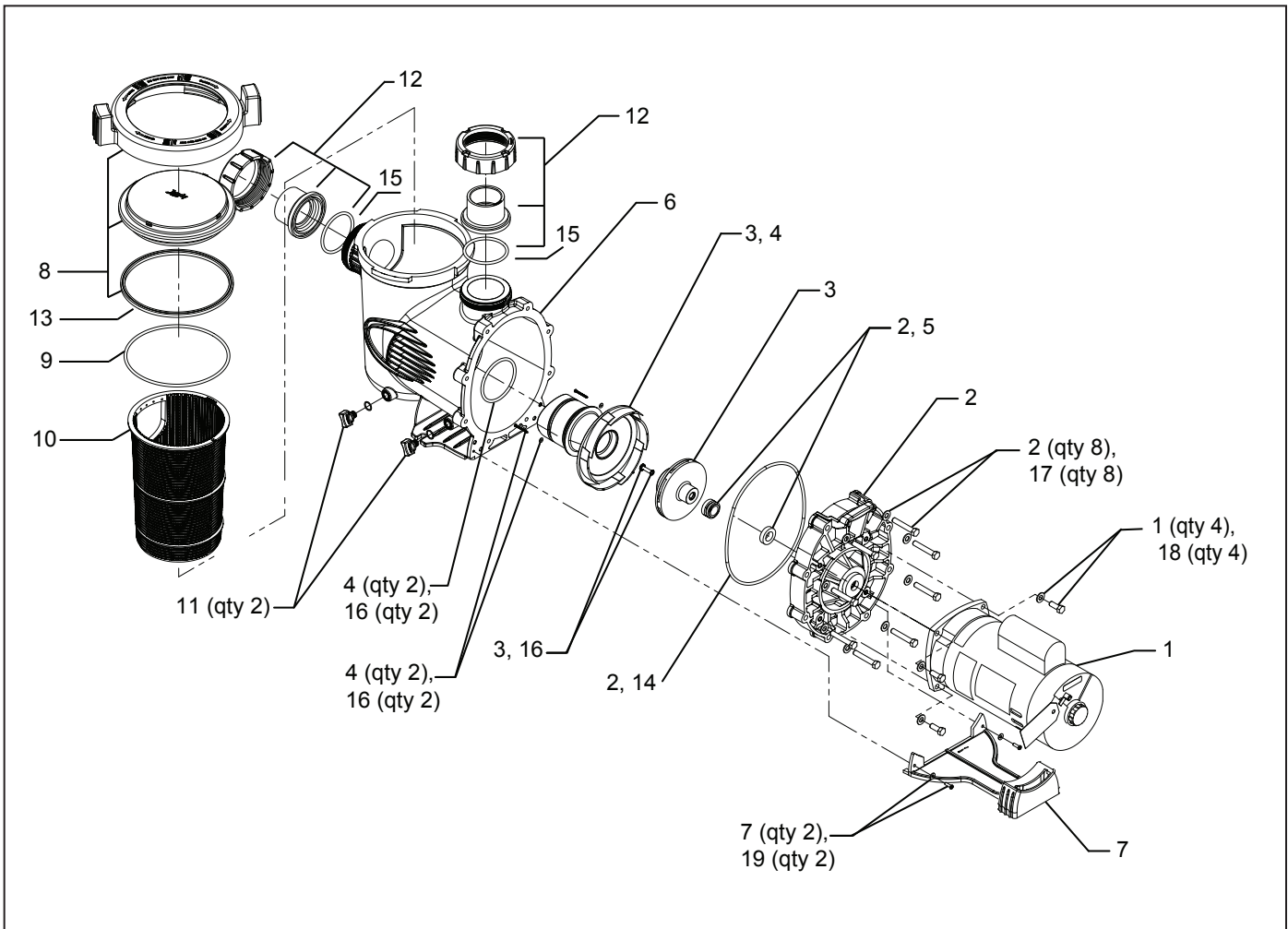
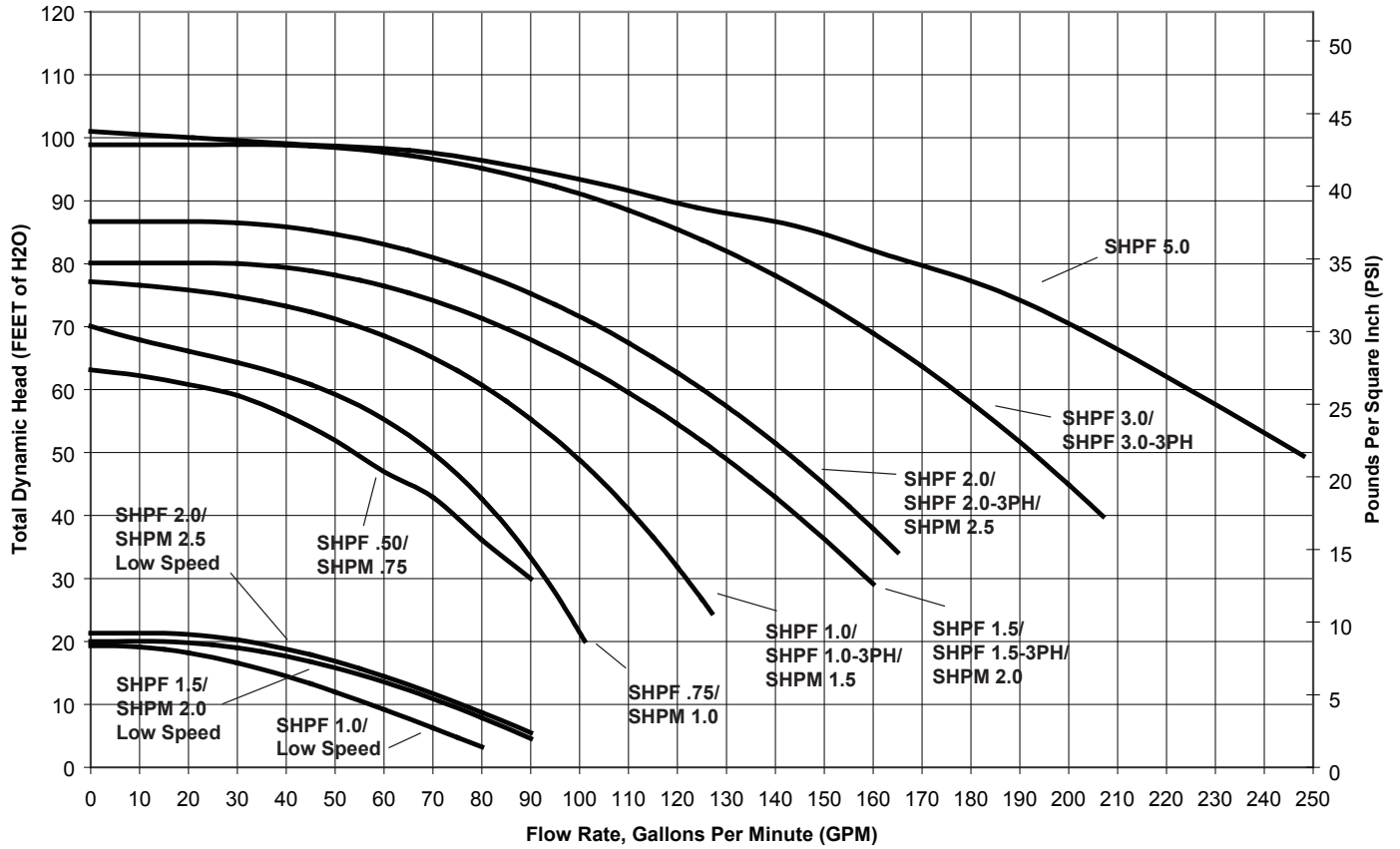


Figure 14. SHPF and SHPM Exploded View

### 7.3 SHPF and SHPM Pump Curves

**Jandy® Stealth® Series High Head Pumps  
Full-Rated (SHPF) and Max-Rated (SHPM)**



## 7.4 Physical and Operational Specifications

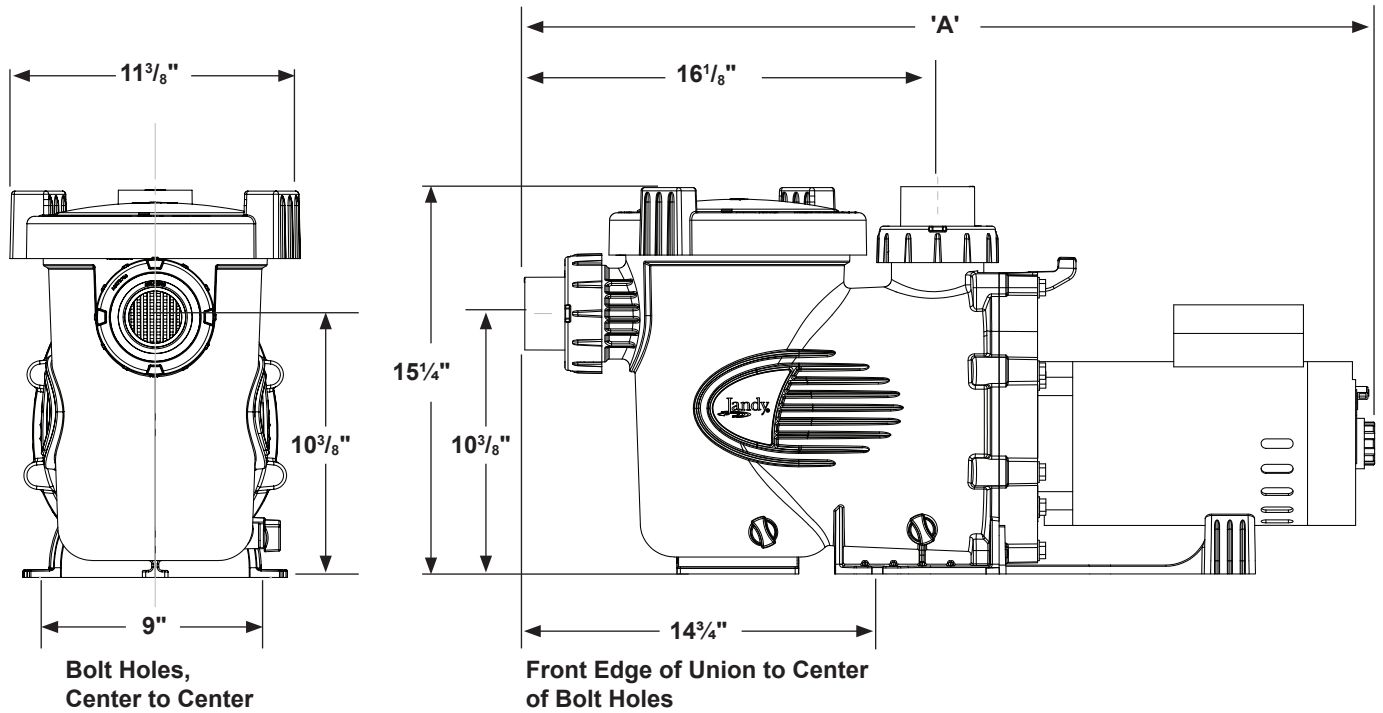
### 7.4.1 SHPF Pump Specifications

Model No.	HP	Voltage	Amps	Pipe Size	Carton Weight	Overall Length 'A'
SHPF .50	.50	208-230/115	4.4-4.5/8.8	2-2½"	30 lbs.	31⅛"
SHPF .75	.75	208-230/115	6.0-5.6/11.2	2-2½"	43 lbs.	31⅞"
SHPF 1.0	1.0	208-230/115	7.8-7.4/14.8	2-2½"	45 lbs.	32¼"
SHPF 1.5	1.5	208-230	9.6-8.8	2-2½"	50 lbs.	32⅝"
SHPF 2.0	2.0	208-230	11.0-10.0	2-2½"	57 lbs.	33⅛"
SHPF 3.0	3.0	208-230	15.0-13.6	2½-3"	63 lbs.	33⅞"
SHPF 1.0-2SPD	1.0	230	7.2/3.0	2-2½"	52 lbs.	33⅞"
SHPF 1.5-2SPD	2.0	230	10.0/3.5	2-2½"	57 lbs.	33⅝"
SHPF 2.0-2SPD	2.5	230	11.0/4.0	2-2½"	64 lbs.	33⅞"
SHPF 1.0-3PH	1.0	208-230/460	5.0-4.6/2.3	2-2½"	55 lbs.	31⅞"
SHPF 1.5-3PH	1.5	208-230/460	6.4-5.8/2.9	2-2½"	57 lbs.	32⅞"
SHPF 2.0-3PH	2.0	208-230/460	7.1-6.8/3.4	2-2½"	64 lbs.	32⅝"
SHPF 3.0-3PH	3.0	208-230/460	9.0-8.6/4.3	2½-3"	62 lbs.	32⅝"
SHPF 5.0	5.0	230	19.4	4"	68 lbs.	33¾"

### 7.4.2 SHPM Pump Specifications

Model No.	HP	Voltage	Amps	Pipe Size	Carton Weight	Overall Length 'A'
SHPM .75	.75	208-230/115	4.4-4.5/8.8	2-2½"	30 lbs.	31⅛"
SHPM 1.0	1.0	208-230/115	6.0-5.6/11.2	2-2½"	43 lbs.	31⅞"
SHPM 1.5	1.5	208-230/115	7.8-7.4/14.8	2-2½"	45 lbs.	32¼"
SHPM 2.0	2.0	208-230	9.6-8.8	2-2½"	50 lbs.	32⅝"
SHPM 2.5	2.5	208-230	11.0-10.0	2-2½"	57 lbs.	33⅛"
SHPM 1.5-2SPD	1.5	230	7.2/3.0	2-2½"	52 lbs.	32⅞"
SHPM 2.0-2SPD	2.0	230	10.0/3.5	2-2½"	57 lbs.	32⅝"
SHPM 2.5-2SPD	2.5	230	11.0/4.0	2-2½"	64 lbs.	33⅞"

### 7.4.3 Pump Dimensions



**NOTE** When installing pump, leave a minimum of two feet (2 ft) of clearance above the pump for removal of strainer basket.

### 7.5 SHP Replacement Motor Guide

#### SHPF Pumps

Pump Model	A.O Smith / Century
SHPF .50	B845
SHPF .75	B661
SHPF 1.0	B841
SHPF 1.5	B842
SHPF 2.0	B843
SHPF 3.0	B844
SHPF 1.0-3PH	H635
SHPF 1.5-3PH	H636
SHPF 2.0-3PH	H637
SHPF 3.0-3PH	H755
SHPF 1.0-2SPD	B982
SHPF 1.5-2SPD	B983
SHPF 2.0-2SPD	B984
SHPF 5.0	B1000

#### SHPM Pumps

Pump Model	A.O Smith/ Century
SHPM 1.0	B863SE
SHPM 1.5	B864SE
SHPM 2.0	B865SE
SHPM 2.5	B866SE
SHPM 1.5 2SPD	B982
SHPM 2.0 2SPD	B983
SHPM 2.5 2SPD	B984

## LIMITED WARRANTY

Thank you for purchasing Jandy® pool and spa products. Zodiac Pool Systems, Inc. warrants all parts to be free from manufacturing defects in materials and workmanship for a period of one (1) year from the date of retail purchase, with the following exceptions:

- AquaLink® RS units installed with Jandy® Surge Protection Kits will be covered for two (2) years.
- Never Lube® valves are warranted for the life of the pool and/or spa on which they were originally installed.
- AquaPure® Electronic Chlorine Generator Electrolytic Cells carry a five (5) year limited warranty on a prorated basis.
- Heat pumps are covered for two (2) years. There is a lifetime warranty on titanium tubing.
- The heat pump compressor is covered for five (5) years.
- The DuoClear® Electrolytic Cells carry a three (3) year limited warranty on a prorated basis.
- The DuoClear® Vessels carry a three (3) year limited warranty.

This warranty is limited to the first retail purchaser, is not transferable, and does not apply to products that have been moved from their original installation sites. The liability of Zodiac Pool Systems, Inc. shall not exceed the repair or replacement of defective parts and does not include any costs for labor to remove and reinstall the defective part, transportation to or from the factory, or any other materials required to make the repair. Refrigerant or other expendables are not covered by the warranty. This warranty does not cover failures or malfunctions resulting from the following:

1. Failure to properly install, operate, or maintain the product(s) in accordance with our published Installation, Operation, and Maintenance Manuals, which are provided with the product(s).
2. The workmanship of any installer of the product(s).
3. Not maintaining a proper chemical balance in your pool and/or spa [pH levels between 7.2 and 7.8, with ideal ranges being between 7.4 and 7.6, Total Alkalinity (TA) between 80 to 120 ppm, Total Dissolved Solids (TDS) less than 2000, not including salt ppm].
4. Abuse, alteration, accident, fire, flood, lightning, rodents, insects, negligence, or acts of God.
5. Scaling, freezing, or other conditions causing inadequate water circulation.
6. Operating the product(s) at water flow rates outside the published minimum and maximum specifications.
7. Use of non-factory authorized parts or accessories in conjunction with the product(s).
8. Chemical contamination of combustion air or improper use of sanitizing chemicals, such as introducing sanitizing chemicals upstream of the heater and cleaner hose or through the skimmer.
9. Overheating; incorrect wire runs; improper electrical supply; collateral damage caused by failure of O-rings, DE grids, or cartridge elements; or damage caused by running the pump with insufficient quantities of water.

### LIMITATION OF LIABILITY:

This is the only warranty given by Zodiac Pool Systems, Inc. No one is authorized to make any other warranties on behalf of Zodiac Pool Systems, Inc. **THIS WARRANTY IS IN LIEU OF ALL OTHER WARRANTIES, EXPRESSED OR IMPLIED, INCLUDING, BUT NOT LIMITED TO, ANY IMPLIED WARRANTIES OF FITNESS FOR A PARTICULAR PURPOSE AND MERCHANTABILITY. ZODIAC POOL SYSTEMS, INC. EXPRESSLY DISCLAIMS AND EXCLUDES ANY LIABILITY FOR CONSEQUENTIAL, INCIDENTAL, INDIRECT, OR PUNITIVE DAMAGES FOR BREACH OF ANY EXPRESSED OR IMPLIED WARRANTY.** This warranty gives you specific legal rights. You may also have other rights that vary by state or province.

### WARRANTY CLAIMS:

For prompt warranty consideration, contact your dealer and provide the following information: proof of purchase, model number, serial number, and date of installation. The installer will contact the factory to obtain instructions regarding the claim and to determine the location of the nearest designated service center. If the dealer is not available, you can locate a service center in your area by visiting [www.jandy.com](http://www.jandy.com) or by calling our technical support department at 1.800.822.7933 in the United States or 1.888.647.4004 in Canada. All returned parts must have a Returned Material Authorization number to be evaluated under the terms of this warranty.



CONFORMS TO UL 1081  
CERTIFIED TO CSA C22.2 NO 108

**Jandy**®

H0573800F

Zodiac Pool Systems, Inc.,  
6000 Condor Drive • Moorpark, CA USA 93021 • 800.822.7933 • Fax 877.327.1403

Litho in USA © Zodiac Pool Systems, Inc. 0905