

G2



Owner's Manual
Guide du Propriétaire
Manual del Usuario

BARACUDA®

The World's Simplest Automatic Pool Cleaners

Important Information

WARNING

RISK OF SUCTION ENTRAPMENT HAZARD, WHICH, IF NOT AVOIDED CAN RESULT IN SERIOUS INJURY OR DEATH. READ THIS MANUAL IN ITS ENTIRETY BEFORE INSTALLING AND OPERATING THE CLEANER. Ensure that your vacuum suction fittings installed in your pool for connection of your suction-side pool cleaner are certified as being compliant with applicable safety standards such as IAPMO SPS 4. Do not block the suction fittings in the pool, the suction opening on the cleaner, or the cleaner hoses with any part or your body. Do not expose your hair, loose clothing, jewelry, etc. to any suction outlet fittings in the pool/spa or on the cleaner.

Important Information

Notice for Vinyl Liner Pools: Before installing your pool cleaner, examine the interior of your pool carefully. If the vinyl liner is brittle or has stones, wrinkles, roots or metal corrosion in contact with the underside of the liner, or has damage to the base material or supporting walls, do not install the cleaner before having a qualified professional perform the necessary repairs or liner replacement. **Zodiac will not be responsible for liner damage caused by a cleaner which is in disrepair, pattern removal from a vinyl liner, or a cleaner used in a pool having an aged or deteriorated liner.** Please see Limited Warranty.

- To help prevent suction entrapment accidents, wall vacuum fittings should have a safety vac lock installed. Contact your builder or retail pool professional for details.
- Clean the skimmer basket, pump basket and pool filter before installing the cleaner and on a regular basis thereafter.
- Always disconnect the cleaner from the pool wall or skimmer before cleaning or backwashing the pool filter. After cleaning or backwashing, let the filtration system run for at least five minutes before re-connecting the cleaner.
- Remove the cleaner from the pool before chemical or shock treatments. Wait a minimum of 4 hours after super chlorination before re-installing the cleaner.

For customer service or support:

Zodiac Pool Systems, Inc.

2620 Commerce Way
Vista, CA 92081-8438
1-800-822-7933

www.zodiacpoolsystems.com

Zodiac Pool Systems Canada, Inc.

2115 South Service Road West, Unit 3
Oakville, ON, Canada L6L 5W2
1-888-647-4004

www.zodiacpoolsystems.ca

To ensure prompt warranty service, should it be required, please:

- Complete and return the Baracuda Warranty Card.
- Record your purchase information.
- Attach a copy of your purchase receipt to this document.

Date of Purchase: _____ Purchased From: _____

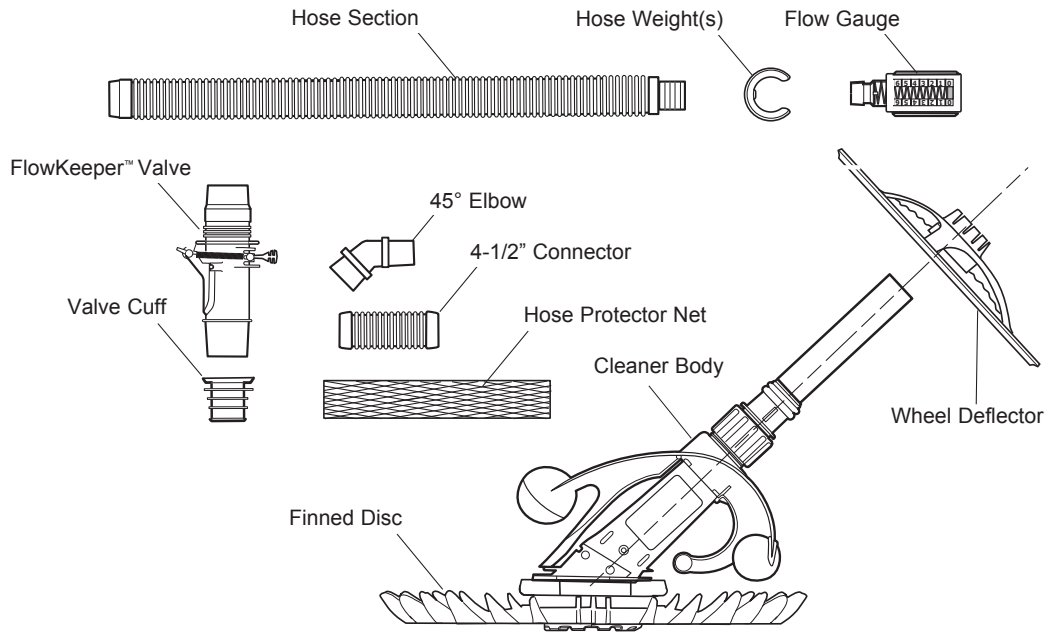
Serial Number (Located on underside of cleaner) _____

If service is required, simply present your manual with the attached receipt at any Baracuda authorized warranty center.

Introduction

Congratulations on the purchase of your new G2 automatic pool cleaner. Built with proven Baracuda technology, the G2 is designed and manufactured for easy installation, and years of carefree operation.

Before installing the cleaner, please take a few moments to become familiar with its components and to review the items listed under **Important Information** on the previous page.



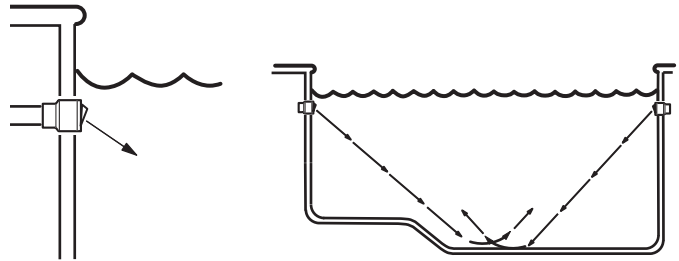
Installation

Prepare the Pool

1. Manually vacuum the pool if excessive debris is present, and make sure the pool filter and pump basket are clean.
2. Close the pool main drain line.
3. **Adjust the return lines to blow downward to break up surface circulation and ensure complete cleaning coverage.**

- Loosen the fitting lock ring
- Redirect the eyeball downward
- Retighten the lock ring

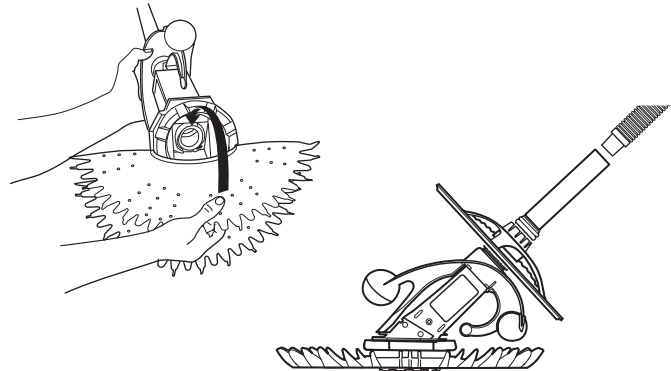
If the return fitting cannot be adjusted, the fitting must be replaced with a Zodiac return line diverter (part #W90153 for 1-1/2", #W90155 for 2" or #W24100 for pools without return fittings).



Assemble the Cleaner

Stretch the disc over the foot pad with the fins pointing up. The disc should fit securely in the groove and rotate freely on the pad.

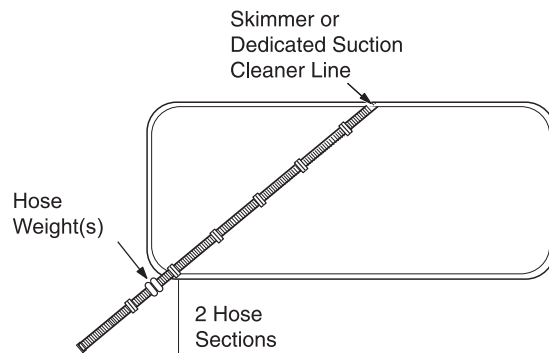
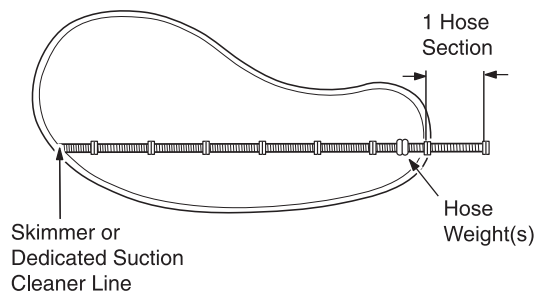
Slide the wheel deflector onto the extension pipe, clips up, and secure between the two lowest pipe ridges. The deflector should rotate freely



Assemble the Hose

For corner or end installations, connect enough hose to reach the farthest point of the pool and then add one more section.

For center installations, connect enough hose to reach the farthest point of the pool and then add two more sections.



Position the hose weight(s), two for US/Mexico installations and one for Canadian, in the middle of the second hose section, about 60" (1.5 m) back from the end of the hose.

Connect the Hose

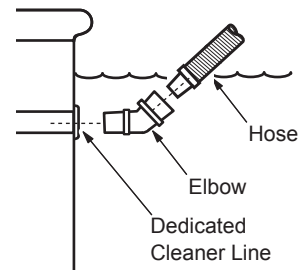
⚠ WARNING

RISK OF SUCTION ENTRAPMENT HAZARD, WHICH, IF NOT AVOIDED CAN RESULT IN SERIOUS INJURY OR DEATH. READ THIS MANUAL IN ITS ENTIRETY BEFORE INSTALLING AND OPERATING THE CLEANER. Ensure that your vacuum suction fittings installed in your pool for connection of your suction-side pool cleaner are certified as being compliant with applicable safety standards such as IAPMO SPS 4. Do not block the suction fittings in the pool, the suction opening on the cleaner, or the cleaner hoses with any part or your body. Do not expose your hair, loose clothing, jewelry, etc. to any suction outlet fittings in the pool/spa or on the cleaner.

Turn on the filtration system and fill the hose with water by placing the end in front of a return inlet until it is flooded. Turn off the pump.

To connect to a dedicated suction line:

1. Insert the male end of the hose into the large end of the 45° elbow.
2. Connect the elbow to the safety vac wall fitting.
3. Angle the elbow upward towards the water surface.

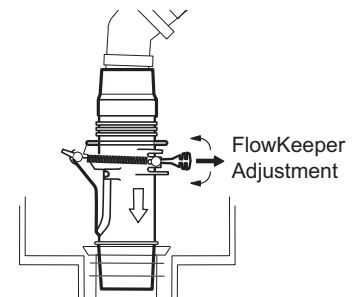


To connect to a skimmer:

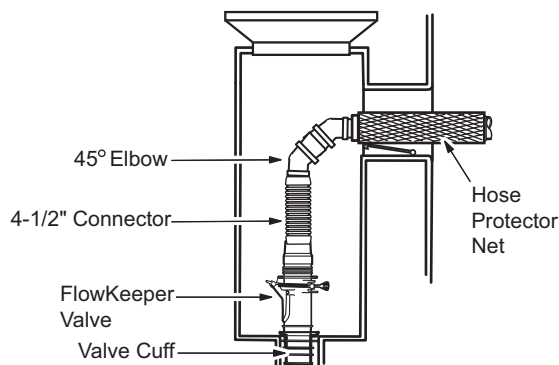
The FlowKeeper® valve must always be used in single skimmer installations. The valve regulates flow to ensure the pool pump and cleaner run properly. It is pre-set at the factory to optimize the performance of the cleaner, but offers three settings to adjust the flow. The lower the setting number, the lower the flow. To adjust, pull the handle and move setting up or down. The red tab can be used to open the valve and stop the cleaner.

If the pool has more than one skimmer, connect the hose to the one closest to the pump.

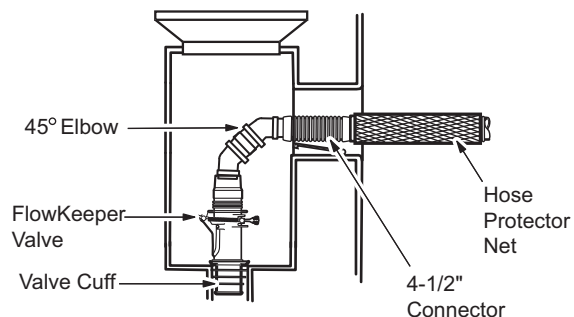
The parts used to connect the hose, and the sequence in which they are installed depends on the type of skimmer.



Deep Skimmer



Shallow Skimmer

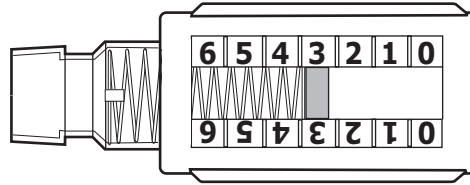


1. Remove the skimmer basket.
2. Insert the valve fitting and connect the FlowKeeper with the arrow pointing down towards the skimmer pipe.
3. Attach the hose protector net to the hose section that goes into the skimmer.
4. Choose the fitting combination that best suits the skimmer to complete the connection.

Test and Adjust for Proper Flow

Keeping the hose submerged, attach the Flow Gauge to the hose and turn on the pump.

Verify that the red indicator in the gauge (viewed from the side) is at the Number 3 setting.



If necessary, use the valves in the pool equipment area to adjust the flow.

- **For skimmer connections on pools with one skimmer**, flow is automatically regulated by the FlowKeeper Valve. The red indicator should be at the proper setting.
- **For skimmer connections on pools with more than one skimmer**, leave the valve for the skimmer connected to the hose open and slowly close the other until the proper setting is reached.
- **For dedicated suction line connections**, leave the vacuum line open and slowly close the skimmer line until the flow is at the proper setting.

If flow is in the low range (0-2):

- Check and clean the pool filter and baskets if necessary.
- Verify that valves controlling the suction lines are in the correct position.

If flow is in the high range (4-6):

- Verify that valves controlling the suction lines are in the correct position.
- Lower the flow setting on the FlowKeeper Valve.
- Open the main drain slightly to further reduce flow.

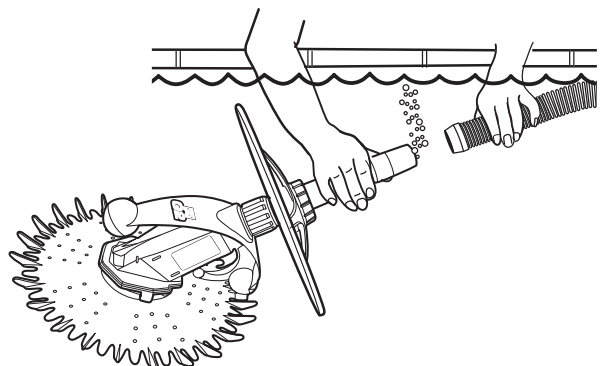
Connect the Cleaner

⚠ WARNING

To avoid serious injury, turn off the suction pump for the cleaner before performing this step.

Turn off the pump. Keeping the hose underwater, remove the Flow Gauge.

1. Submerge the cleaner and flood it with water.
2. When bubbles stop coming from the extension pipe, connect the hose to the cleaner.
3. Allow the cleaner to drift to the bottom of the pool.
4. Turn on the pool pump and begin cleaning.



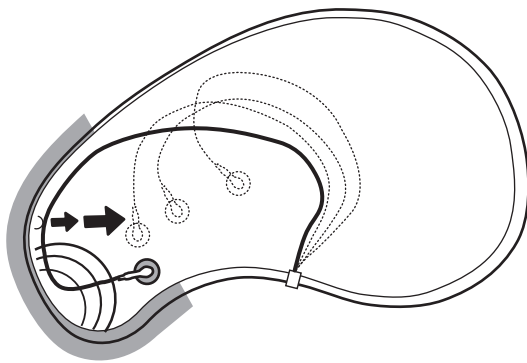
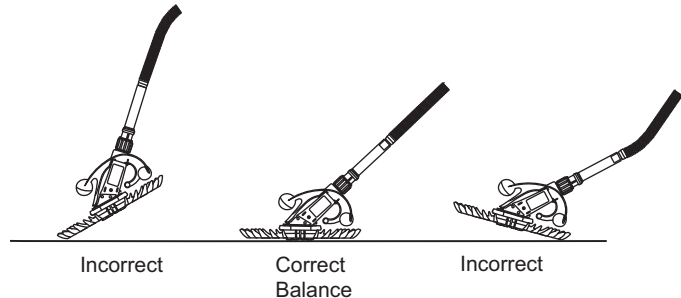
Operation and Maintenance

Fine Tuning Cleaner Performance

Cycling on and off with the pool filtration system, the G2 moves randomly around the pool, vacuuming and cleaning all surfaces as it goes. As water flows through the cleaner, dirt and debris are pulled directly into the pool filtration system. The coverage of the cleaner is dependent on the pool's shape and available water flow. In some applications, adjustments may be necessary to optimize cleaning coverage.

The hose weight is positioned to compensate for the buoyancy of the hose. A properly balanced hose will create a 45-degree angle to the cleaner and the bottom of the pool.

In pools 8-1/2 feet or deeper, an extra hose weight (part #W83247) may be necessary. Add the weight 5 to 8 feet from the cleaner.



A return line can be used to guide the cleaner away from steps or areas with V-shaped corners, and reduce patterning.

Direct the return to gently push the cleaner hose by positioning the return directional so it aims towards the wall on the opposite side of the pool, and surface movement is visible 8 feet out from the return.

In this example, any return within the grey area can be used.

Routine Maintenance

To maintain cleaner performance:

- Never coil the hose. Straighten a coiled hose with warm water or by laying it in the sun for a day. **A kinked or coiled hose will adversely effect the cleaner's coverage of the pool.**
- When not in the pool, keep the finned disc flat to avoid warping.
- Periodically inspect cleaner parts for wear.
- Thoroughly clean the skimmer basket, pump basket and filter regularly. Always disconnect the cleaner from the pool wall or skimmer before cleaning or backwashing the pool filter. After cleaning or backwashing, let the filtration system run for at least five minutes before re-connecting the cleaner.
- Remove the cleaner from the pool before chemical or shock treatments. Wait a minimum of 4 hours after super chlorination before re-installing the cleaner.

Clearing the Diaphragm

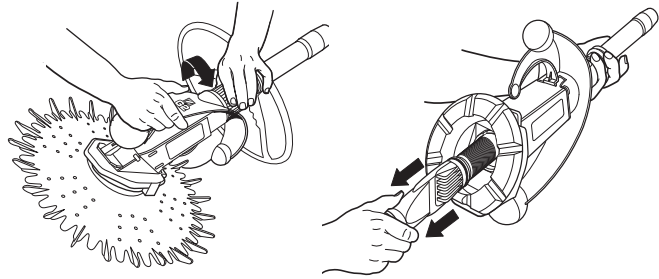
⚠ WARNING

To avoid serious injury, turn off the suction pump for the cleaner before performing this step.

Use the easy-access system to quickly clear the diaphragm or check it for damage.

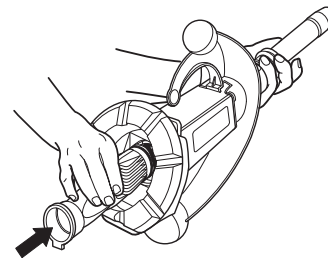
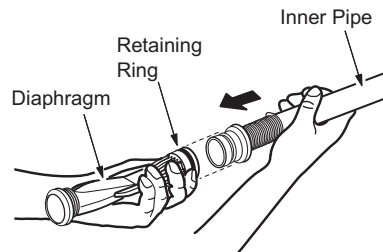
To remove:

1. Turn handnut counter-clockwise to release the outer extension pipe. Remove the pipe.
2. Turn the cleaner over. Grasping the diaphragm flange, pull out the diaphragm and inner pipe.
3. Pull off the diaphragm.
Inspect it for debris or wear, and rinse it thoroughly with water. Replace if necessary.



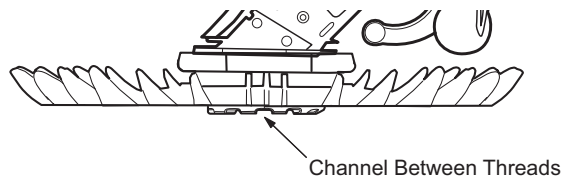
To install:

1. Verify that the retaining ring is on the diaphragm.
2. Push diaphragm onto inner pipe.
3. Aligning the flange of the diaphragm with the slot in the cleaner body, push the diaphragm assembly into the cleaner until it is flush against the inlet plate.
4. Reinstall outer extension pipe and secure handnut. Do not over tighten.



Replacing the Foot Pad

The foot pad should be replaced when the depth of the channels between the treads are 1/8" or less. Contact your Baracuda Dealer for assistance with replacing this part.



Storage and Winterizing

Never coil the hose. Store the cleaner out of direct sunlight.

When storing for the winter, drain all water from the cleaner. Remove all connectors and adapters from the dedicated suction line or skimmer. Store disc flat, and hose sections disconnected, drained and straight.

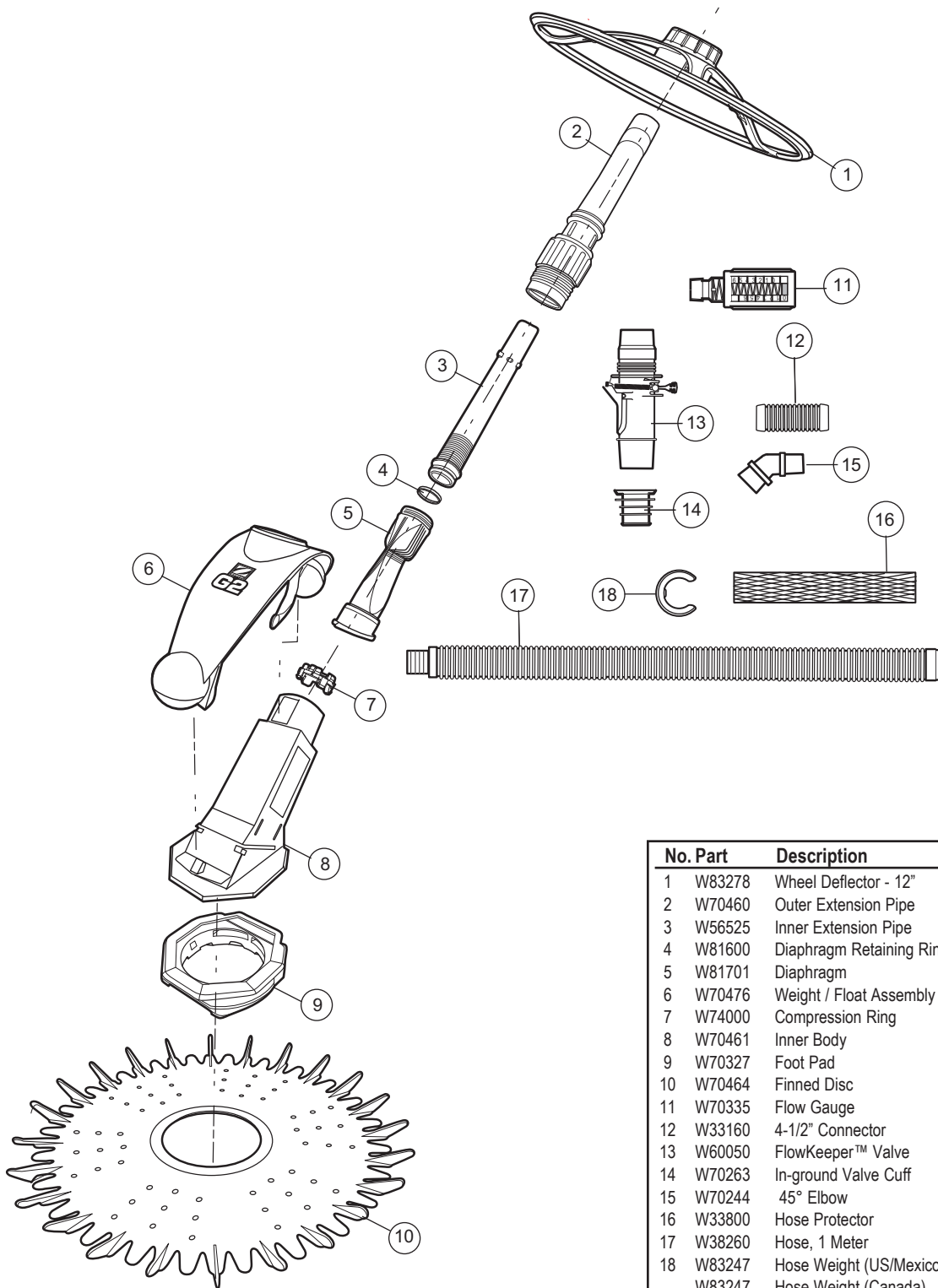
Troubleshooting

If you experience a problem with your G2, please follow the troubleshooting steps below to restore performance. If further assistance is required, contact Zodiac Customer Service. Please have your serial number and date of purchase available when you call.

Problem	Solution
Cleaner does not move or moves slowly.	<ul style="list-style-type: none">• Confirm that the main drain is closed.• Use Flow Gauge to verify proper flow. Note: In water 60° F (16° C) or less, it may be necessary to increase flow to compensate for the reduced flexibility of the hose and diaphragm.• Check diaphragm for blockage or wear damage.• Clean baskets and filter.• Check for air in system. If water level in pump basket drops or you see excessive air bubbles in the pump basket or coming from the return lines, there is air in the system. Check hose connections, tighten all fittings at pump and check gasket in pump basket for wear.
Cleaner patterns, does not cover entire pool.	<ul style="list-style-type: none">• Use Flow Gauge to verify proper flow. Increase flow to improve climbing. Reduce to move cleaner off the walls.• Ensure return fittings are directed down. Add a return diverter if necessary.• Make sure hose is not kinked or coiled. Lay hose in sun to straighten, if necessary.• Verify correct hose weight positioning: about 60" or 1.5 m back from cleaner.• Confirm proper hose length.
Cleaner gets stuck at steps.	<ul style="list-style-type: none">• Use Flow Gauge to verify proper flow.• Confirm proper hose length. Shorten if necessary.• Use flow from return jet to guide cleaner.
Cleaner stays on walls or edge of pool.	<ul style="list-style-type: none">• Using Flow Gauge as guide, reduce flow to the cleaner.• Verify correct hose weight positioning: about 60" or 1.5 m back from cleaner.
Cleaner won't climb walls.	<p>Note: Cleaner may not climb walls in some vinyl pools or pools with safety ledges.</p> <ul style="list-style-type: none">• Using Flow Gauge as guide, increase flow to cleaner.• Verify correct hose weight positioning: about 60" or 1.5 m back from cleaner.

G2 Parts Diagram

English



No. Part	Description	Qty.
1	W83278 Wheel Deflector - 12"	1
2	W70460 Outer Extension Pipe	1
3	W56525 Inner Extension Pipe	1
4	W81600 Diaphragm Retaining Ring	1
5	W81701 Diaphragm	1
6	W70476 Weight / Float Assembly	1
7	W74000 Compression Ring	1
8	W70461 Inner Body	1
9	W70327 Foot Pad	1
10	W70464 Finned Disc	1
11	W70335 Flow Gauge	1
12	W33160 4-1/2" Connector	1
13	W60050 FlowKeeper™ Valve	1
14	W70263 In-ground Valve Cuff	1
15	W70244 45° Elbow	2
16	W33800 Hose Protector	1
17	W38260 Hose, 1 Meter	12
18	W83247 Hose Weight (US/Mexico)	2
	W83247 Hose Weight (Canada)	1

Informations Importantes

AVERTISSEMENT

LE RISQUE DE PIÉGEAGE DANS LA CONDUITE D'ASPIRATION QUI, SI NON ÉVITÉ, POURRAIT ENTRAÎNER DES BLESSURES GRAVES OU LA MORT. LIRE CE MANUEL AU COMPLET AVANT D'INSTALLER ET DE FAIRE FONCTIONNER LE NETTOYEUR. S'assurer que les raccords d'aspiration installés dans votre piscine pour connecter le nettoyeur de piscine du côté aspiration sont homologués de conformément aux normes de sécurité applicables telles que la IAPMO SPS 4. Ne pas laisser quelque partie du corps bloquer les raccords d'aspiration de la piscine, l'ouverture d'aspiration du nettoyeur ou les flexibles du nettoyeur. Tenir les cheveux, les vêtements amples, les bijoux, etc. loin des raccords d'aspiration de la piscine/du spa.

Avis pour les piscines à garniture intérieure en vinyle : Avant d'installer votre nouvel appareil G2, veuillez soigneusement vérifier l'intérieur de votre piscine. Si la garniture en vinyle apparaît friable, si des pierres, des plis, des racines, ou des pièces métalliques corrodées se trouvent sous cette garniture, ou si l'assise ou les murs de soutiens sont endommagés, adressez-vous à un professionnel compétent afin qu'il fasse les réparations nécessaires ou qu'il remplace la garniture avant l'installation de l'appareil de nettoyage. **Zodiac n'assumera aucune responsabilité pour tout dommage à la garniture causé par un appareil de nettoyage en mauvais état, par le retrait d'une structure de garniture vinyle ou par l'utilisation de l'appareil de nettoyage dans une piscine dont la garniture est usée ou abîmée.** Veuillez consulter la garantie limitée.

- Afin d'éviter des accidents de blocage à l'aspiration, les raccords d'aspiration muraux devraient être munis d'un dispositif de fermeture de sécurité. Veuillez vous adresser au fabricant de la piscine ou à un détaillant pour plus de renseignements.
- Nettoyez le panier de l'écumoire, le panier de la pompe et le filtre de la piscine avant d'installer l'appareil de nettoyage, et ensuite entretenir régulièrement.
- Veuillez toujours débrancher le G2 avant de nettoyer le filtre de la piscine à contre-courant. Après tout nettoyage, faites marcher le système de filtration pendant au moins cinq minutes avant de brancher à nouveau l'appareil de nettoyage.
- Veuillez toujours retirer le G2 de la piscine avant de procéder à des traitements chimiques ou de choc. Après une superchloration de l'eau, attendez au moins quatre heures avant de réinstaller l'appareil de nettoyage.

Service clientèle et support : **Zodiac Pool Systems, Inc.**

2620 Commerce Way

Vista, CA 92081-8438

1-800-822-7933

www.zodiacpoolsystems.com

Zodiac Pool Systems Canada, Inc.

2115 South Service Road West, Unit 3

Oakville, ON, Canada L6L 5W2

1-888-647-4004

www.zodiacpoolsystems.ca

Ces démarches vous assureront un service rapide si vous devez faire appel à votre garantie.

- Remplissez et renvoyez la fiche d'enregistrement de la garantie Baracuda.
- Inscrivez les renseignements relatifs à votre achat.
- Joignez une photocopie de votre facture à ce document.

Date d'achat : _____ Fournisseur : _____

Numéro de série (situé en dessous de l'appareil) _____

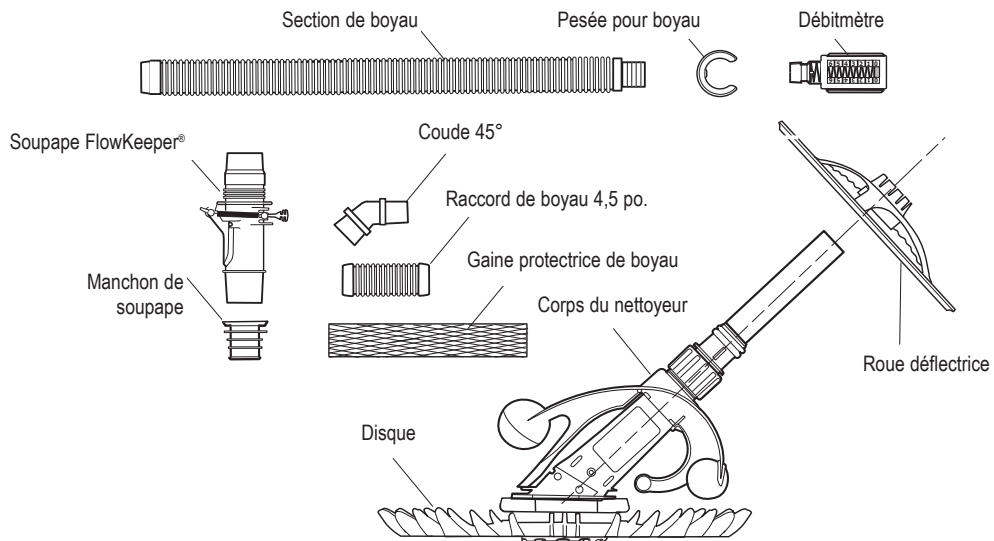
Si une réparation ou un entretien sont nécessaires, vous n'aurez qu'à présenter votre Guide du propriétaire et votre facture dans un centre Baracuda n'importe où dans le pays.

Cet appareil de nettoyage pour piscines est protégé par un ou plusieurs des brevets canadiens ou américains énumérés ci-dessous ainsi que par la marque déposée canadienne suivante : Numéros de brevets américains : 5,421,054, 5,315,728, 6484,743 et D343034. Numéros de brevets canadiens : 2,134,220; 2,442,894 et canadiens rd. no. 67767.

Introduction

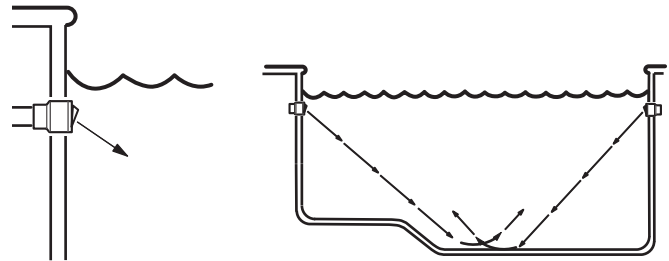
Nous vous félicitons d'avoir acheté un nouvel appareil automatique de nettoyage G2. Sa construction s'appuyant sur la technologie éprouvée Baracuda, le G2 a été conçu et fabriqué pour être facilement installé et pour vous offrir des années de services sans souci d'entretien.

Avant d'installer l'appareil de nettoyage, veuillez prendre un moment pour vous familiariser avec ses composants et pour examiner les points énumérés sous le titre « Informations importantes » à la page précédente.



Préparation de la piscine

1. Nettoyez manuellement la piscine avec un aspirateur si des débris sont présents en excès et vérifiez que le filtre de la piscine et le panier de la pompe sont propres.
2. Fermez le drain principal de la piscine.
3. Orientez les jets de refoulement vers le fond de la piscine pour interrompre la circulation à la surface pour garantir que le nettoyeur couvre la piscine au complet.
 - Desserrez la bague de retenue
 - Orientez la bille vers le bas
 - Resserrez la bague de retenue

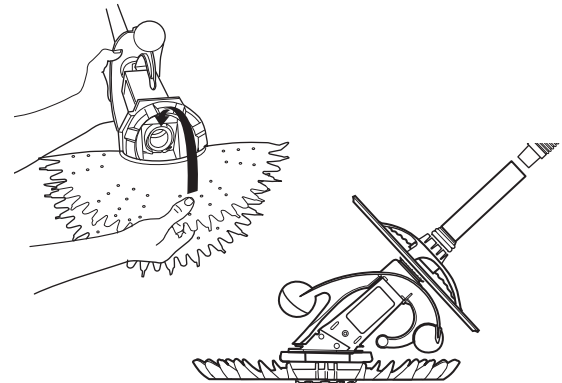


Si les jets de refoulement ne peuvent pas être ajustés, les jets de refoulement doivent être remplacés par un déflecteur de retour (pièce no. W90153 pour 1-1/2 po., no. W90155 pour 2 po. ou no. W24100 pour les piscines sans raccord de retour).

Montage de l'appareil de nettoyage

Étirez le disque par-dessus la bague d'appui, les ailettes dirigées vers le haut. Le disque doit s'insérer fermement dans la rainure et tourner librement sur la coupelle.

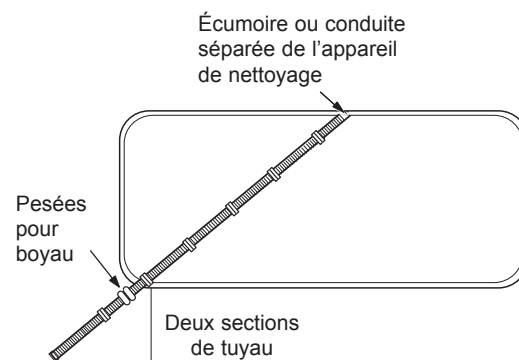
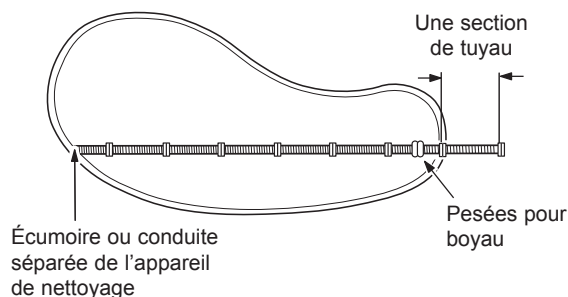
Faites glisser la roue déflectrice sur le tuyau-rallonge, pincez vers le haut, puis fixez-la entre les deux bourrelets inférieurs du tuyau. La roue déflectrice doit tourner librement.



Montage du boyau

Pour les installations en coin ou en bout de piscine, branchez une longueur suffisante de boyau pour atteindre le point le plus éloigné de la piscine et ajoutez une section supplémentaire.

Pour les installations au centre de la piscine, branchez une longueur suffisante de boyau pour atteindre le point le plus éloigné de la piscine et ajoutez deux sections supplémentaires.



Positionnez le(s) poids de boyau, deux pour les installations aux É.-U. / au Mexique et un pour les installations au Canada, au milieu de la deuxième section de boyau, environ 1,5 m (60 po) derrière l'extrémité du boyau.

Branchement du boyau

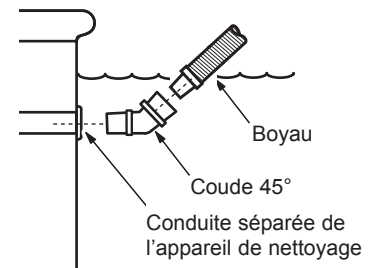
⚠ AVERTISSEMENT

LE RISQUE DE PIÉGEAGE DANS LA CONDUITE D'ASPIRATION QUI, SI NON ÉVITÉ, POURRAIT ENTRAÎNER DES BLESSURES GRAVES OU LA MORT. LIRE CE MANUEL AU COMPLET AVANT D'INSTALLER ET DE FAIRE FONCTIONNER LE NETTOYEUR. S'assurer que les raccords d'aspiration installés dans votre piscine pour connecter le nettoyeur de piscine du côté aspiration sont homologués de conformément aux normes de sécurité applicables telles que la IAPMO SPS 4. Ne pas laisser quelque partie du corps bloquer les raccords d'aspiration de la piscine, l'ouverture d'aspiration du nettoyeur ou les flexibles du nettoyeur. Tenir les cheveux, les vêtements amples, les bijoux, etc. loin des raccords d'aspiration de la piscine/du spa.

Mettez en marche le système de filtration et remplissez d'eau le boyau en positionnant l'extrémité devant une entrée de retour jusqu'à ce que le boyau soit noyé. Arrêtez la pompe de la piscine.

Pour raccorder une conduite d'aspiration séparée :

1. Introduisez l'extrémité mâle du boyau dans la branche large du coude à 45°.
2. Raccordez le coude dans le raccord mural d'aspiration de sécurité.
3. Inclinez le coude vers le haut, en direction de la surface de l'eau.

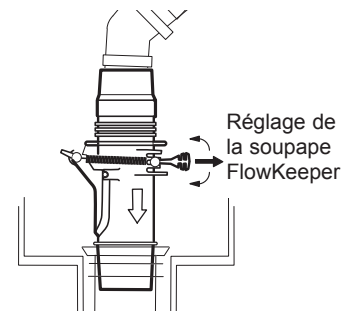


Pour raccorder une écumoire :

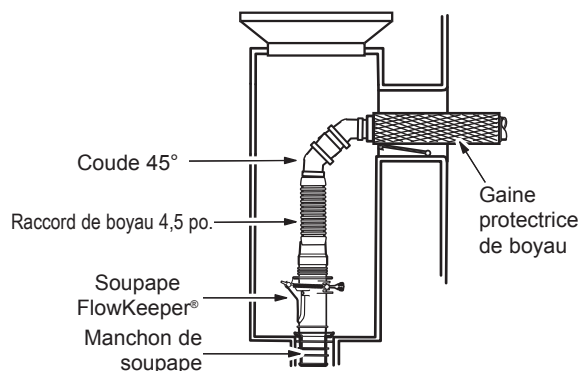
On doit toujours utiliser la soupape FlowKeeper® dans les installations à une seule écumoire. La soupape régule le débit d'eau pour assurer que la pompe de la piscine et l'appareil de nettoyage fonctionnent correctement. Elle est pré-réglée à l'usine pour optimiser la performance de l'appareil mais trois réglages permettent d'ajuster le débit. Plus le chiffre est petit, plus le débit est faible. Pour ajuster le débit, tirez sur la poignée pour augmenter ou diminuer le réglage. Vous pouvez utiliser la languette rouge pour ouvrir la soupape et arrêter l'appareil.

Lorsque la piscine est dotée de deux ou plusieurs écumoires, raccordez le boyau à l'écumoire la plus proche de la pompe.

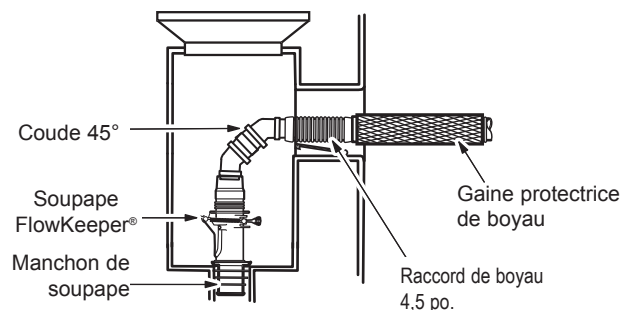
Les pièces utilisées pour raccorder le boyau, ainsi que l'ordre dans lequel on les installe, dépendent du type d'écumoire.



Écumoire profonde



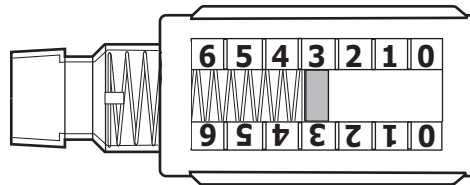
Écumoire peu profonde



1. Retirez le panier de l'écumoire.
2. Introduisez le raccord de soupape et raccordez la soupape FlowKeeper, la flèche pointant vers le bas, en direction du tuyau de l'écumoire.
3. Attachez la gaine protectrice de boyau en filet à la section de boyau qui va dans l'écumoire.
4. Choisissez la combinaison de raccords qui convient le mieux à l'écumoire pour effectuer le raccordement.

Essais et réglages pour un débit approprié

Tout en gardant le boyau submergé, rattachez le débitmètre au boyau et mettez en marche la pompe. Vérifiez que l'indicateur rouge du débitmètre (visualisé de côté) est au point de réglage numéro 3.



Au besoin, utilisez les robinets dans la piscine pour régler le débit.

- **Pour le raccordement des écumoirs sur des piscines à une écumoire**, le débit se règle automatiquement au moyen de la soupape FlowKeeper. L'indicateur rouge doit être au point de réglage approprié.
- **Pour le raccordement des écumoirs sur des piscines à deux ou plusieurs écumoirs**, laissez ouvert le robinet sur l'écumoire raccordé au boyau et fermez lentement l'autre robinet jusqu'à ce qu'on atteigne le réglage approprié.
- **Pour les raccordements à conduite d'aspiration séparée**, laissez ouverte la conduite d'aspiration et ouvrez lentement la conduite de l'écumoire jusqu'à ce que le débit soit à la valeur de réglage appropriée.

Lorsque le débit est dans la gamme basse des valeurs (0-2) :

- Vérifiez et nettoyez les filtres et paniers de la piscine au besoin.
- Assurez-vous que les robinets commandant les conduites d'aspiration sont dans la

Lorsque le débit est dans la gamme haute des valeurs (4-6):

- Assurez-vous que les robinets commandant les conduites d'aspiration sont dans la position correcte.
- Abaissez la valeur de réglage du débit sur la soupape FlowKeeper.
- Ouvrez partiellement le drain principal pour réduire encore plus le débit.

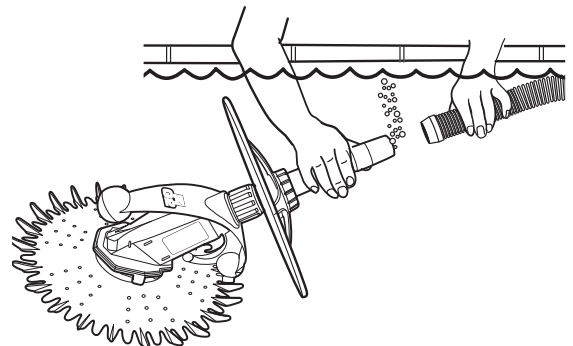
Branchement de l'appareil de nettoyage

⚠ AVERTISSEMENT

Pour éviter les blessures graves, fermer la pompe d'aspiration du nettoyeur avant d'effectuer cette étape.

Fermez la pompe. Tout en gardant le boyau sous l'eau, retirez le débitmètre.

1. Submergez l'appareil ainsi que le boyau dans l'eau de la piscine.
2. Lorsque les bulles cessent de s'échapper du tuyau-rallonge, attachez le boyau à l'appareil.
3. Laissez l'appareil de nettoyage dériver jusqu'au fond de la piscine.
4. Mettez en marche l'appareil de nettoyage et commencez le nettoyage.

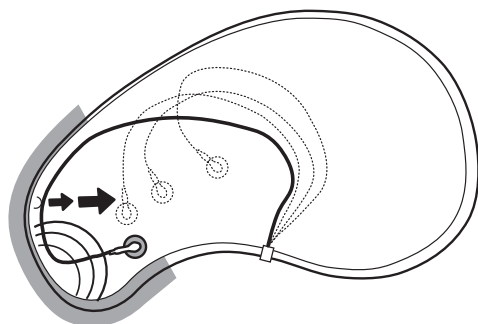
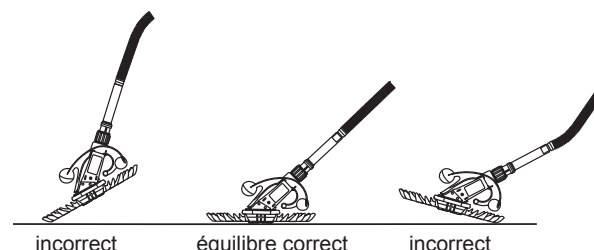


Réglage final de l'appareil de nettoyage

Suivant le cycle de mise en marche et d'arrêt du système de filtration de la piscine, le G2 effectue des évolutions aléatoires dans la piscine, aspirant et nettoyant toutes les surfaces où il passe. Lorsque l'eau s'écoule à travers l'appareil de nettoyage, les saletés et les débris sont entraînés directement dans le système de filtration de la piscine. La surface couverte par l'appareil de nettoyage varie selon la forme de la piscine et son débit d'eau disponible. Dans certaines applications, des réglages peuvent s'avérer nécessaires pour optimiser la couverture de nettoyage.

On positionne le poids de boyau pour compenser la flottabilité du boyau. Un boyau bien équilibré crée un angle de 45 degrés entre l'appareil de nettoyage et le fond de la piscine.

Dans les piscines d'une profondeur de 8,5 pi ou plus, un poids de boyau supplémentaire (no de pièce W83247) pourrait être nécessaire. Ajoutez le poids de boyau entre 5 pi et 8 pi de l'appareil de nettoyage.



On peut utiliser une conduite de retour pour écarter l'appareil de nettoyage des escaliers ou des zones à coins en V et pour réduire les évolutions à répétition.

Faites en sorte que le retour pousse doucement sur le boyau de l'appareil de nettoyage en orientant la commande directionnelle de retour vers le mur du côté opposé de la piscine. Réglez l'orientation jusqu'à ce que le mouvement à la surface soit visible à 2,4 m (8 pi) du retour.

Dans cet exemple, toute conduite de retour dans la zone grise peut être utilisée.

Entretien courant

Pour maintenir la performance de l'appareil :

- N'enroulez jamais le boyau. Un boyau courbé peut être redressé en le passant sous l'eau chaude ou en le laissant exposé au soleil pendant une journée. **Un boyau déformé ou courbé compromettra la couverture de la piscine par le G2.**
- Lorsqu'il n'est pas dans la piscine, maintenez le disque à plat pour éviter qu'il ne se voile.
- Inspectez périodiquement le niveau d'usure des pièces de l'appareil.
- Nettoyez régulièrement et en profondeur le panier de l'écumoire, le panier de la pompe et le filtre. **Il faut toujours débrancher l'appareil avant de laver à contre-courant.** Faites tourner le système de filtration pendant au moins cinq minutes avant de rebrancher l'appareil.
- Retirez l'appareil de nettoyage de la piscine avant un processus de superchloration ou d'ajouter des produits chimiques dans la piscine. Attendez au moins quatre heures avant de rebrancher l'appareil.

Dégagement de l'obturateur

⚠ AVERTISSEMENT

Pour éviter les blessures graves, fermer la pompe d'aspiration du nettoyeur avant d'effectuer cette étape.

Utilisez le système d'accès facile pour dégager rapidement l'obturateur ou pour y rechercher des traces d'endommagement.

Pour dégager l'obturateur :

1. Tournez l'écrou manuel en contre sens pour faire desserer le tuyau-rallonge externe. Retirez le boyau.
2. Renversez l'appareil de nettoyage. Tout en saisissant la bride de l'obturateur, sortez l'obturateur et le tuyau-rallonge interne.
3. Retirez l'obturateur.

Examinez-le pour toute trace de débris ou d'usure et rincez-le soigneusement à l'eau. Remplacez l'obturateur si nécessaire.

Installation :

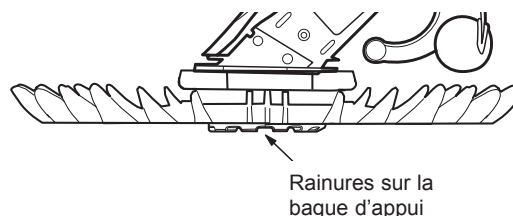
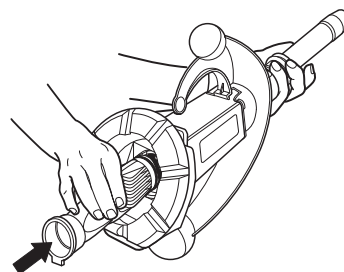
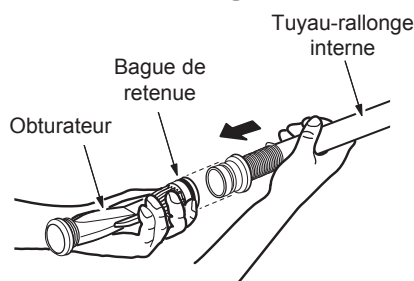
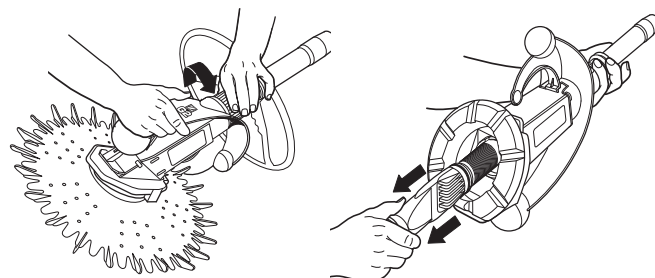
1. Vérifiez que la bague de retenue est bien sur l'obturateur.
2. Placez l'obturateur par-dessus le tuyau-rallonge interne.
3. Tout en alignant la bride de l'obturateur sur la fente dans le corps de l'appareil de nettoyage, repoussez l'ensemble obturateur dans l'appareil de nettoyage jusqu'à ce qu'il affleure à la plaque d'entrée.
4. Reposez le tuyau-rallonge externe et serrez bien l'écrou manuel. Ne serrez pas trop fort.

Remplacement de la bague d'appui

On doit remplacer la bague d'appui lorsque la profondeur des rainures entre les sculptures est de 3 mm (0.125 po) ou moins. Communiquez avec votre concessionnaire Baracuda qui pourra vous assister dans le remplacement de cette pièce.

L'entreposage et entretien en hiver

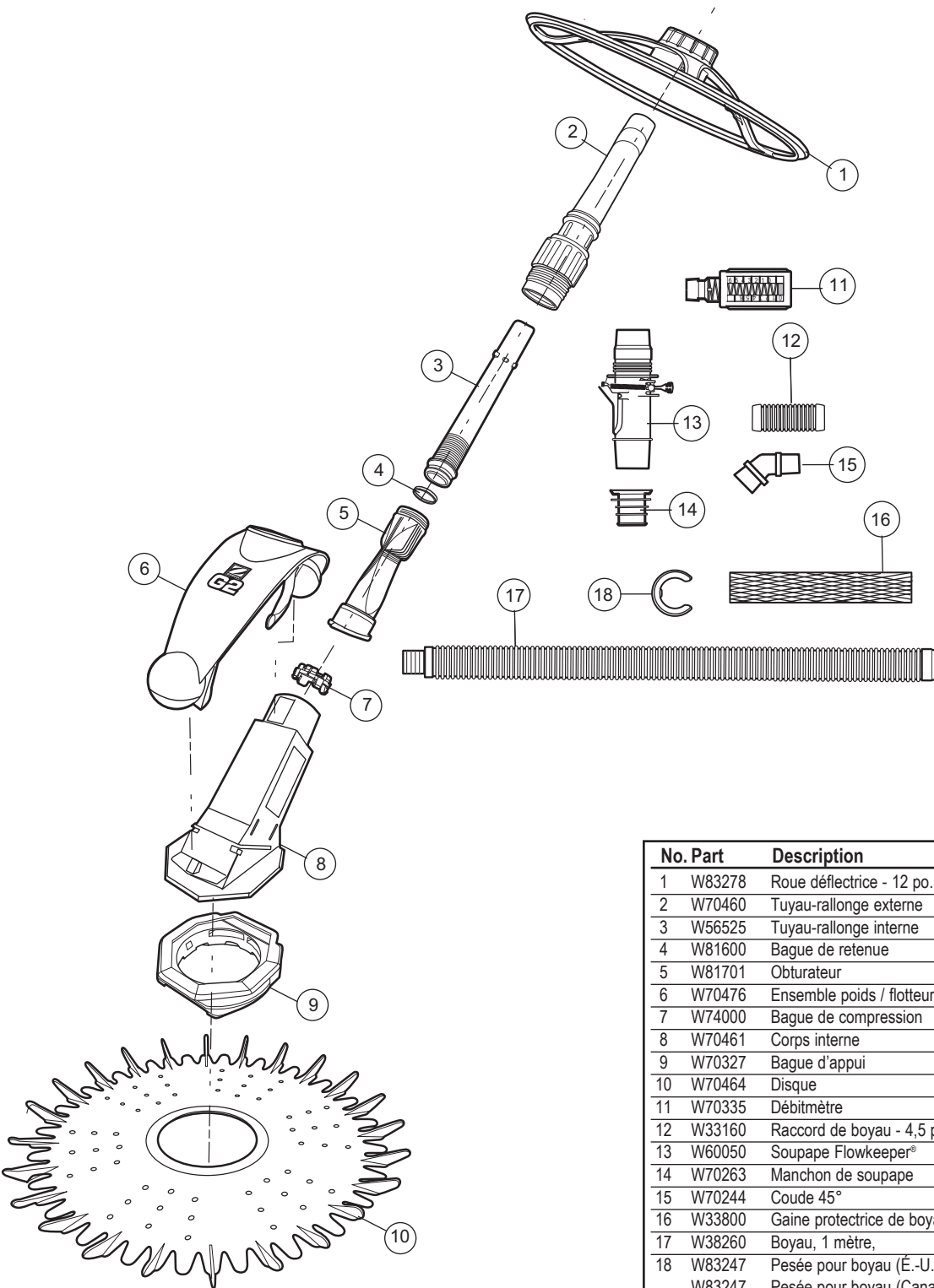
N'enroulez jamais le boyau. Gardez l'appareil à l'abri du soleil direct. Pour l'entreposage durant l'hiver, drainez tout l'eau de l'appareil et des boyaux. Retirez tous les connecteurs et adaptateurs de l'écumoire. Entreposez le disque à plat et les sections de boyau débranchées et droites.



En cas de problème avec votre G2, veuillez suivre les étapes de dépannage suivantes pour rétablir la performance de l'appareil. Contactez le Service à la Clientèle de Zodiac pour toute assistance. Veuillez avoir le numéro de série et la date d'achat de l'appareil disponibles avant d'appeler.

Problème	Solution
L'appareil de nettoyage ne bouge pas ou bouge lentement.	<ul style="list-style-type: none">• Confirmez la fermeture du drain principal.• Utilisez le débitmètre pour vérifier le débit approprié. Remarque : En cas de température de l'eau de 16° C (60° F) ou inférieure, il peut être nécessaire d'augmenter le débit pour compenser la flexibilité réduite du boyau et de l'obturateur.• Vérifiez si l'obturateur est abîmé ou usé.• Nettoyez les paniers et le filtre.• Vérifiez s'il y a de l'air dans le système. Si le niveau d'eau dans le panier de la pompe baisse, ou que vous voyez un excédent de bulles d'air dans le panier ou en provenance des boyaux de retour, c'est qu'il y a de l'air dans le système. Vérifiez les connexions du boyau, resserrez tous les raccords à la pompe et vérifiez si les joints dans le panier de la pompe sont usés.
L'appareil suit un certain schéma et ne couvre pas toute la piscine.	<ul style="list-style-type: none">• Utilisez le débitmètre pour vérifier le débit approprié. Augmentez le débit pour améliorer la montée en pente. Réduisez-le pour éloigner l'appareil de nettoyage des murs.• Vérifiez que les jets de refoulement sont dirigés vers le bas. Ajoutez un déflecteur de retour, si nécessaire.• Vérifiez que le boyau n'est ni déformé ni coudé. Étendez le boyau au soleil pour le redresser, si nécessaire.• Vérifiez le positionnement correct du poids de boyau à une distance d'environ 1,5 m (60 po) de l'appareil de nettoyage• Vérifiez que le boyau est de la longueur correcte.
L'appareil de nettoyage reste fixé par moments.	<ul style="list-style-type: none">• Utilisez le débitmètre pour vérifier le débit approprié.• Vérifiez que le boyau est de la longueur correcte. Raccourcissez-le si nécessaire.• Utilisez le débit provenant du jet de retour pour guider l'appareil.
L'appareil de nettoyage reste sur les parois de la piscine.	<ul style="list-style-type: none">• Le débitmètre servant de guide, réduisez le débit vers l'appareil de nettoyage.• Vérifiez le positionnement correct du poids de boyau à une distance d'environ 1,5 m (60 po) de l'appareil de nettoyage
L'appareil de nettoyage ne parvient pas à monter sur les parois de la piscine.	<p>Nota : Il est possible que l'appareil de nettoyage ne monte pas sur les de certaines piscines en vinyle ou piscines avec rebords de sécurité.</p> <ul style="list-style-type: none">• Le débitmètre servant de guide, réduisez le débit vers l'appareil de nettoyage.• Vérifiez le positionnement correct du poids de boyau à une distance d'environ 1,5 m (60 po) de l'appareil de nettoyage.

G2 Diagramme des pièces



No. Part	Description	Qty.
1	W83278 Roue déflectrice - 12 po.	1
2	W70460 Tuyau-rallonge externe	1
3	W56525 Tuyau-rallonge interne	1
4	W81600 Bague de retenue	1
5	W81701 Obturateur	1
6	W70476 Ensemble poids / flotteur	1
7	W74000 Bague de compression	1
8	W70461 Corps interne	1
9	W70327 Bague d'appui	1
10	W70464 Disque	1
11	W70335 Débitmètre	1
12	W33160 Raccord de boyau - 4,5 po.	1
13	W60050 Soupape Flowkeeper®	1
14	W70263 Manchon de soupape	1
15	W70244 Coude 45°	2
16	W33800 Gaine protectrice de boyau	1
17	W38260 Boyau, 1 mètre,	12
18	W83247 Pesée pour boyau (É.-U. / Mexique)	2
	W83247 Pesée pour boyau (Canada)	1

Información importante

ADVERTENCIA

RIESGO DE QUEDAR ATRAPADO POR LA SUCCION, LO CUAL, SI NO ES EVITADO PUEDE RESULTAR EN LESIONES GRAVES O MUERTE. LEA ESTE MANUAL COMPLETAMENTE ANTES DE INSTALAR Y OPERAR EL LIMPIAFONDOS. Asegúrese que los accesorios de succión y aspiración instalados en su piscina para la conexión de succión al lado del limpiafondos estén certificados en conformidad de las normas de seguridad aplicables tales como IAPMP SPS 4. No bloquee los accesorios de succión, o las aberturas de succión en el limpiafondos, o las mangueras del limpiafondos con alguna parte de su cuerpo. No exponga su cabello, ropa suelta, joyas, etc, al desagüe o salidas de los accesorios de succión en la piscina/spa.

Aviso para las piscinas con revestimiento de vinilo: Antes de instalar su nuevo limpiafondos automático, examine el interior de su piscina cuidadosamente. Si el revestimiento de vinilo es frágil o tiene piedras, arrugas, raíces o herrumbre en contacto con la parte inferior del revestimiento, o tiene daños en el material de base o las paredes de apoyo, no instale el limpiafondos sin que un profesional capacitado haga antes las reparaciones necesarias o reemplace el revestimiento. **Zodiac Pool Systems, Inc. no será responsable del daño del revestimiento, tejido removido de revestimiento de vinilo, o un limpiafondos utilizado en una piscina que tiene un viejo o deteriorado de revestimiento.** Por favor lea la garantía limitada.

- Para ayudar a prevenir accidentes de atascamiento por succión, los ajustes de aspiración de pared deben tener un bloqueo de aspiración de seguridad instalado. Contacte a su constructor o profesional de piscinas para más detalles.
- Limpie la canasta del colector de espuma, la canasta de la bomba y el filtro de la piscina antes de instalar el limpiafondos y luego hágalo regularmente.
- Desconecte siempre el limpiafondos antes de limpiar o hacer lavado contracorriente del filtro de la piscina. Después de la limpieza, deje que el sistema de filtrado funcione durante al menos cinco (5) minutos antes de volver a conectar el limpiafondos.
- Quite el limpiafondos de la piscina antes de aplicar tratamientos con químicos. Espere un mínimo de cuatro (4) horas después de cloración fuerte antes de volver a instalar el limpiafondos.

Para atención/ayuda al cliente: **Zodiac Pool Systems, Inc.**

2620 Commerce Way
Vista, CA 92081-8438
1-800-822-7933

www.baracuda.com

Zodiac Pool Systems Canada, Inc.

2115 South Service Road West, Unit 3
Oakville, ON, Canada L6L 5W2
1-888-647-4004

www.zodiacpoolsystems.ca

Para garantizar un servicio de garantía inmediato, si se le solicitara, por favor:

- Complete y devuelva la tarjeta de garantía de Baracuda.
- Registre la información de su compra.
- Adjunte a este documento una copia del recibo de su compra.

Fecha de compra: _____ Comprado en: _____

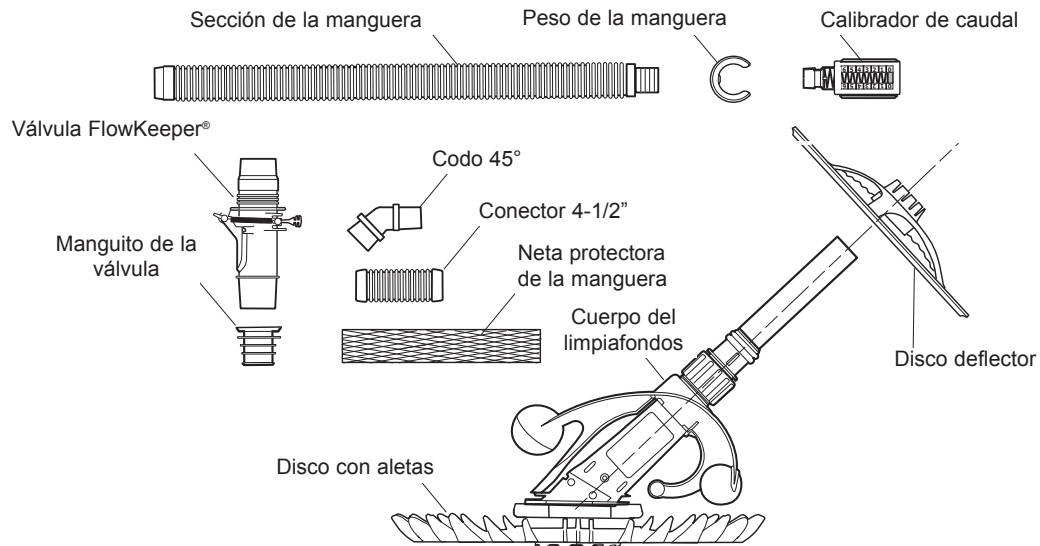
Número de serie (que aparece en la parte inferior del limpiafondos) _____

Si necesita servicio, simplemente presente su manual del usuario con el recibo adjunto en cualquier centro de garantía de Baracuda del país.

Este limpiafondos de piscina está cubierto por una o más de las siguientes patentes: patentes de EE.UU.: 5.421.054; 5.315.728, 6484.743 y D343034. Patentes canadienses: 2.134.220 y 2.442.894. de Canadá Rd no. 67767. Otras patentes están pendientes. Autres brevets en instance.

Introducción

Felicitaciones por la compra de su nuevo limpiafondos automático G2. Construido con Baracuda tecnología demostrada, el G2 está diseñado y fabricado para una fácil instalación, y con muchos años de operación libre de preocupaciones. Antes de instalar el limpiafondos, por favor, tómese unos momentos para familiarizarse con sus componentes y para revisar los aspectos indicados en la **Información importante** dados a continuación.

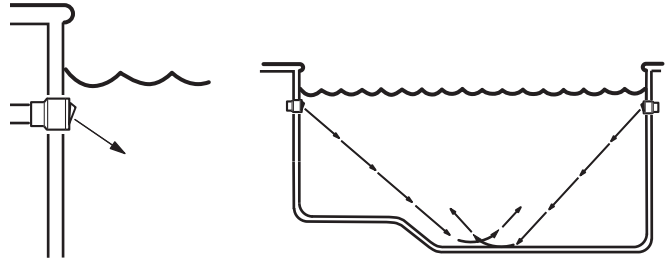


Instalación

Prepare la piscina

1. aspire la piscina en forma manual si hay exceso de desechos y asegúrese de que el filtro de la piscina y la canasta de la bomba estén limpios.
2. Cierre la línea de drenaje principal de la piscina.
3. **Ajuste las líneas de retorno para que soplen hacia abajo para romper la circulación de la superficie y garantizar la cobertura completa en la limpieza.**

- Afloje el anillo de bloqueo de la conexión
- Mueva el ojo para que apunte hacia abajo
- Vuelva a apretar el anillo de bloqueo

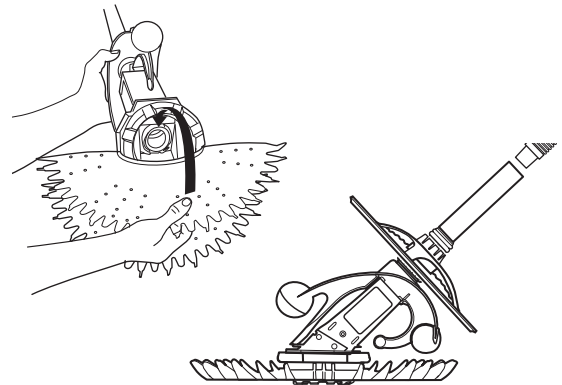


Si la conexión de retorno no puede ajustarse, debe reemplazarla con el desviador de la línea de retorno Zodiac (pieza n° W90153 para 1-1/2", n° W90155 para 2" o n° W24100 para piscinas que no tienen conexión de retorno).

Arme el limpiafondos

Estire el disco con aletas sobre la almohadilla de pie con las aletas hacia arriba. El disco debe encajar de forma segura en la ranura y gire libremente en la almohadilla.

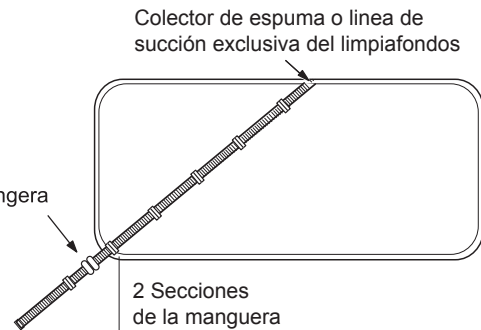
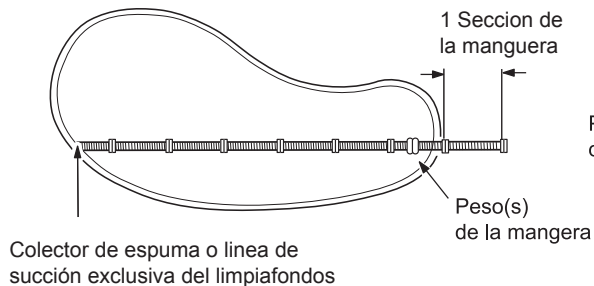
Deslice el disco deflector sobre el tubo de extensión, presiónelo hacia arriba, y sujételo entre las dos crestas de las pipas de abajo. El deflector debe girar libremente.



Arme la manguera

Para esquinas o al final de las instalaciones, conecte suficiente manguera para alcanzar el punto más alejado de la piscina y luego añada una sección más.

Para instalaciones de centro, conecte suficiente manguera para alcanzar el punto más alejado de la piscina y luego añada dos secciones.



Coloque el peso de la manguera (s): uno para instalaciones en USA y México, en medio de la segunda sección de la manguera o alrededor de 1,5 m (60") desde el extremo final de la manguera.

ADVERTENCIA

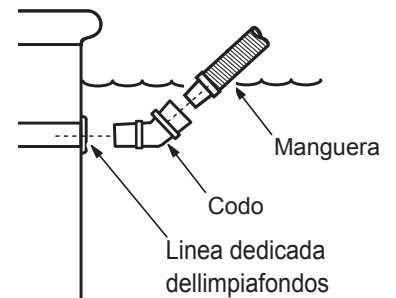
RIESGO DE QUEDAR ATRAPADO POR LA SUCCION, LO CUAL, SI NO ES EVITADO PUEDE RESULTAR EN LESIONES GRAVES O MUERTE. LEA ESTE MANUAL COMPLETAMENTE ANTES DE INSTALAR Y OPERAR EL LIMPIAFONDOS. Asegúrese que los accesorios de succión y aspiración instalados en su piscina para la conexión de succión al lado del limpiafondos estén certificados en conformidad de las normas de seguridad aplicables tales como IAPMP SPS 4. No bloquee los accesorios de succión, o las aberturas de succión en el limpiafondos, o las mangueras del limpiafondos con alguna parte de su cuerpo. No exponga su cabello, ropa suelta, joyas, etc, al desagüe o salidas de los accesorios de succión en la piscina/spa.

Conecte la manguera

Encienda el sistema de filtrado y llene la manguera con agua colocando el extremo frente a una entrada de retorno hasta que rebalse. Apague la bomba.

Pour raccorder une conduite d'aspiration séparée :

1. Conecte el extremo macho de la manguera al codo de bloqueo por torsión de 45°.
2. Conecte el codo al ajuste de pared con aspiración de seguridad.
3. Coloque el codo en ángulo hacia arriba, hacia la superficie del agua.

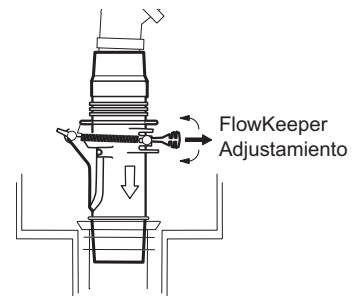


Para conectar a un colector de espuma:

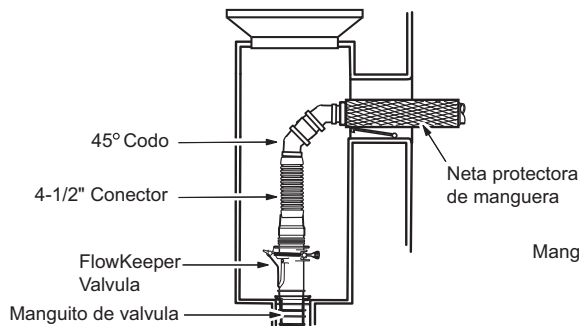
La válvula FlowKeeper™ debe usarse siempre en instalaciones de un solo colector de espuma. La válvula regula el caudal para garantizar que la bomba de la piscina y el limpiafondos funcionen correctamente. Viene ya configurada de fábrica para optimizar el desempeño del limpiafondos, pero ofrece tres opciones para ajustar el caudal. Cuanto más bajo el número de configuración, más bajo será el caudal. Para ajustarlo, tire de la manija y mueva la configuración hacia arriba o hacia abajo. La trabilla roja puede usarse para abrir la válvula y detener el limpiafondos.

Si la piscina tiene más de un colector de espuma, conecte la manguera al que esté más cerca de la bomba.

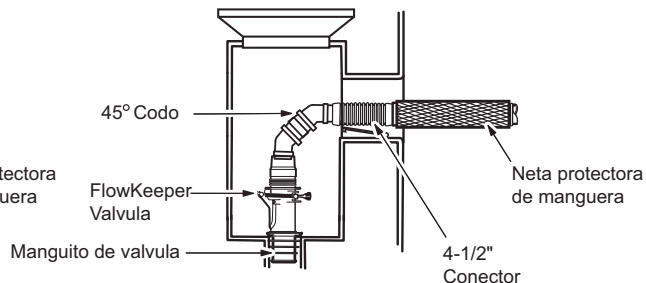
Las partes que se usen para conectar la manguera y la secuencia usada para instalarlas dependerán del tipo de colector de espuma.



Colector de espuma profundo



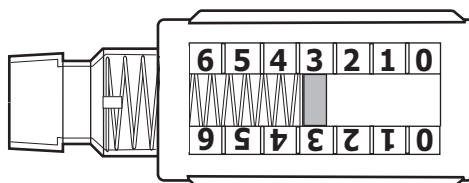
Colector poco profundo



1. Quite la canasta del colector de espuma.
2. Inserte el manguito de la válvula y conecte la FlowKeeper con la flecha apuntando hacia abajo, hacia la parte inferior del colector de espuma.
3. Sujete la neta protectora de la manguera a la sección de la manguera que va en el colector de espuma.
4. Escoja una combinación de manguito que se ajuste al colector de espuma para completar la conexión.

Pruebe y ajuste para comprobar que el caudal sea adecuado

Con la manguera sumergida, acople el conector flexible al extremo de la manguera. Acople el calibrador de caudal en el conector y encienda la bomba.



Verifique que el indicador rojo en el calibrador (visto del costado) esté en el número 3.

De ser necesario, use las válvulas en el área de equipos de la piscina para ajustar el caudal.

- **Para las conexiones de colectores de espuma en piscinas que tienen un solo colector de espuma**, el caudal es regulado en forma automática por la válvula FlowKeeper. El indicador rojo debe estar en la configuración adecuada.
- **Para las conexiones de colectores de espuma en piscinas que tienen más de un colector de espuma**, deje la válvula para el colector de espuma conectado a la manguera abierta, luego cierre poco a poco el otro colector de espuma hasta alcanzar la configuración adecuada.
- **Para conexiones de línea de succión exclusiva**, deje la línea de aspiración abierta y cierre poco a poco la línea del colector de espuma hasta que el caudal esté en la configuración adecuada.

Si el caudal está en el margen inferior (0-2):

- Revise y limpie el filtro de la piscina y las canastas de ser necesario.
- Verifique que las válvulas que controlan las líneas de succión estén en la posición correcta.

Si el caudal está en el margen superior (4-6):

- Verifique que las válvulas que controlan las líneas de succión estén en la posición correcta.
- Baje la regulación del caudal en la válvula FlowKeeper.
- Abra ligeramente el drenaje principal para reducir más el caudal.

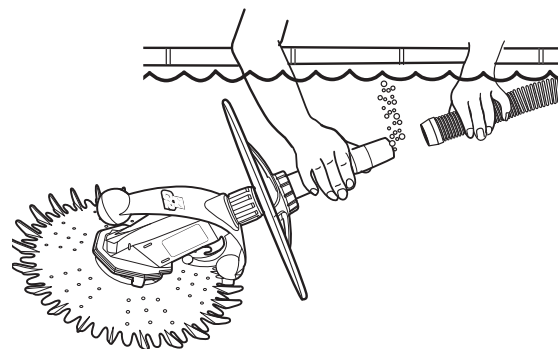
Conecte el limpiafondos

⚠ ADVERTENCIA

Para evitar lesiones graves, apague la bomba de succión del limpiafondos antes de realizar este paso.

Apague la bomba. Con la manguera bajo agua, quite el calibrador de caudal.

1. Sumerja el limpiafondos y llénelo con agua.
2. Cuando dejen de salir burbujas del tubo de extensión, conecte la manguera al limpiafondos.
3. Deje que el limpiafondos se dirija solo hacia el fondo de la piscina.
4. Encienda la bomba de la piscina y comience la limpieza.



Operación and mantenimiento

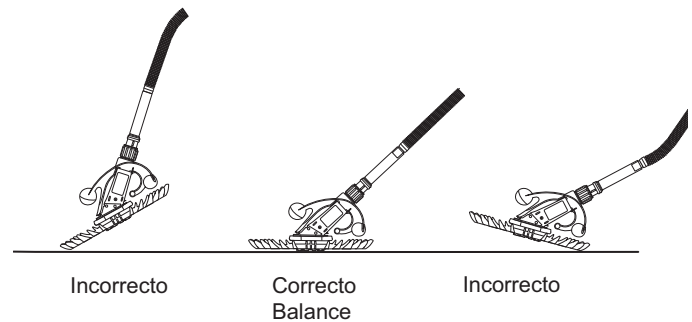
Afinar el desempeño del limpiafondos

El G2 funciona en ciclos de encendido/apagado mientras la bomba de filtrado de la piscina aspira y limpia todas las superficies al azar por toda la piscina. La cobertura del limpiafondos depende de la forma de la piscina y del caudal de agua disponible. En algunas aplicaciones, puede que sea necesario hacer ajustes para optimizar la cobertura de limpieza.

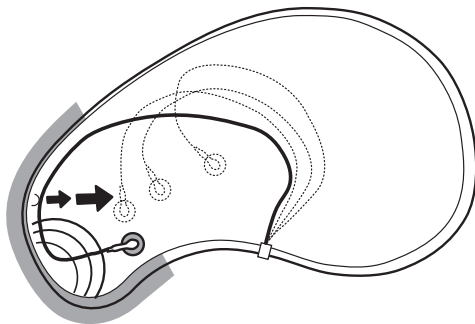
El peso de la manguera esta colocado para compensar el bamboleo de la manguera.

La manguera equilibrada en forma adecuada creará un ángulo de 45 grados entre el limpiafondos y el fondo de la piscina.

En piscinas de 8-1/2 pies o más profundas, puede que sea necesario un peso de manguera (pieza n° W83247) adicional. Ajuste el peso adicional a entre 5 y 8 pies del limpiafondos.



Puede usarse una línea de retorno para guiar el



limpiafondos fuera de los escalones o de las áreas con esquinas en forma de V y reducir las franjas.

Dirija la línea de retorno para que empuje suavemente la manguera del limpiafondos colocando el ojo direccional de retorno en posición para que apunte hacia la pared del lado opuesto de la piscina. Ajuste hasta que el movimiento de la superficie sea visible a 8 pies del retorno.

En este ejemplo, puede usarse cualquier retorno dentro del área gris.

Mantenimiento de rutina

Para mantener el rendimiento:

- Nunca enrolle la manguera. Estire una manguera enrollada con agua tibia o extendiéndola y dejándola al sol durante un día. **Una manguera enroscada o enrollada tendrá un efecto adverso en la cobertura de la piscina del G2 limpiafondos.**
- Cuando no esté en la piscina, mantenga plano el disco para evitar que se deforme.
- Inspeccione periódicamente las piezas del limpiafondos para detectar si se desgastan. Reemplace la almohadilla de pie cuando las profundidades de los canales entre los escalones sean de 1/16" o menos.
- Limpie a fondo y regularmente la canasta del colector de espuma, la canasta de la bomba y el filtro. Siempre desconecte el limpiafondos de la pared de la piscina o del colector de espuma si va a limpiar o a hacer lavado contracorriente del filtro de la piscina. Luego de limpiar o de hacer lavado contracorriente, deje que el sistema de filtrado esté en funcionamiento durante al menos cinco (5) minutos antes de volver a conectar el limpiafondos.
- Remueva el limpiafondos de la piscina antes de tratamientos químicos. Espere un mínimo de cuatro (4) horas después de una clorinación antes de re-instalar el limpiafondos.

Limpeza del Diafragma

⚠ ADVERTENCIA

Para evitar lesiones graves, apague la bomba de succión del limpiafondos antes de realizar este paso.

Use el sistema de acceso rapido al casete para rapidamente limpiar el diafragma o examinar daños.

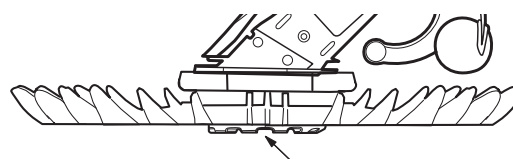
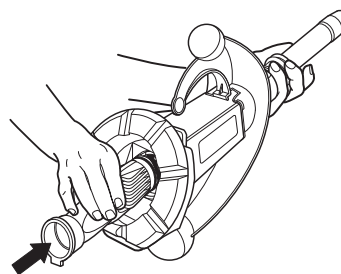
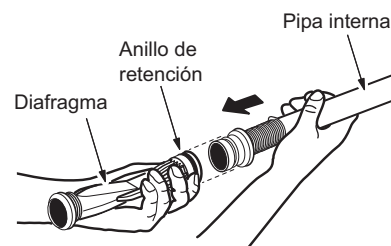
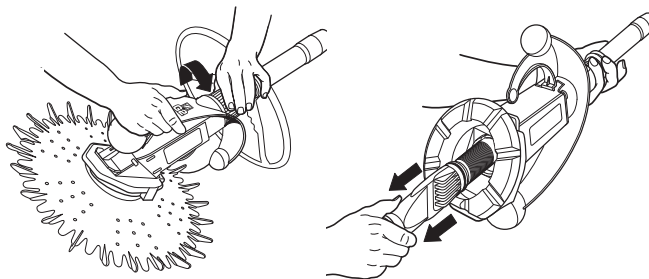
Para removerlo:

1. Gire la tuerca manual hacia la izquierda para sacar la extension exterior de la pipa. Remueva la pipa.
2. Voltee el limpiafondos. Tome el collarin del diafragma, y saque el diafragma y de la pipa interior.
3. Saque el diafragma.

Inspeccione el diafragma para ver si está gastado y enjuéguelo meticulosamente con agua. De ser necesario, reemplácelo.

Para instalar:

1. Verifique que el anillo de retención este en el diafragma.
2. Empuje el diafragma sobre la pipa interna.
3. Alinee el collarin del diafragma con la ranura del cuerpo del limpiafondos, empuje el diafragma dentro del limpiafondos hasta que quede al ras de la placa de entrada.
4. Reinstale la extensión exterior de la pipa y asegure la tuerca manual. No la apriete demasiado.



Canal entre las ranuras

Reemplazando la almohadilla de pie

La almohadilla de pie debe ser reemplazada cuando las profundidades de los canales entre las bandas es de 3 mm (1/8") o menos. Contacte su consencionario de Baracuda para que lo asista cuando reemplace esta parte.

Almacenamiento e Invernación

Nunca enrolle la manguera. Siempre almacene el limpiafondos fuera de luz solar directa.

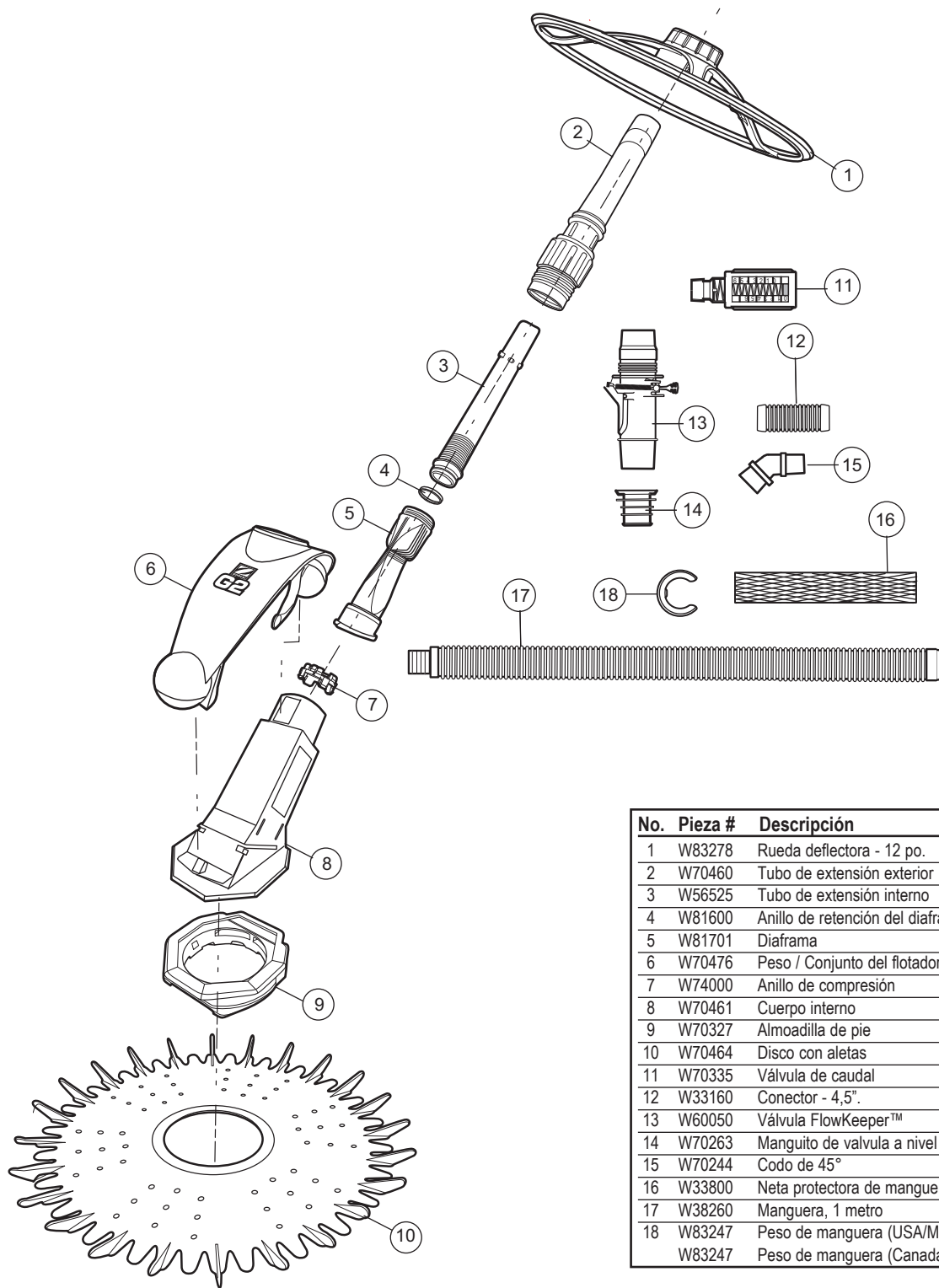
Al almacenar para el invierno, drene toda el agua del limpiafondos. Retire todos los conectores y adaptadores de la línea de succión dedicada o de un limpiafondos. Almacene el disco plano con aletas, y las secciones de manguera desconectada, drenadas y rectas.

Diagnóstico y localización de averías

Si tiene algún problema con su G2, por favor siga los pasos del diagnóstico y localización de averías a continuación para restablecer el funcionamiento normal. Si necesita más ayuda, contáctese con atención al cliente de Zodiac. Por favor tenga a mano su número de serie y fecha de compra cuando llame.

Problema	Solución
El limpiafondos no se mueve o se mueve lentamente.	<ul style="list-style-type: none">• Confirme que el drenaje principal esté cerrado.• Use el calibrador de caudal para verificar que el caudal sea adecuado. Nota: En agua 60° F (16° C) o menos, puede ser necesario incrementar el caudal para compensar la falta de flexibilidad de la manguera y el diafragma.• Verifique que el diafragma no esté bloqueado, dañado ni gastado.• Lave el filtro contracorriente y vacíe la canasta de la bomba.• Verifique que no haya aire en el sistema. Si baja el nivel de agua en la canasta de la bomba o si ve que salen demasiadas burbujas de la canasta o de las líneas de retorno, quiere decir que hay aire en el sistema. Revise todas las conexiones de la manguera, apriete todos los acopladores en la bomba y revise el empaque de la canasta para ver si está gastado.
El limpiafondos limpia sectores, no cubre la piscina entera.	<ul style="list-style-type: none">• Use el calibrador de caudal para verificar que el caudal sea adecuado. Reduzca el caudal para alejar el limpiafondos de las paredes.• Asegúrese de que los elementos de retorno estén apuntando hacia abajo. Agregue un desviador de retorno de ser necesario.• Asegúrese de que la manguera no esté enrollada ni enroscada. De ser necesario, extiéndala y deje que le dé el sol para estirla.• Verifique que la posición del peso de la manguera sea la correcta: aproximadamente 60" o 1.5 m atrás del limpiafondos.• Confirme que la longitud de la manguera sea adecuada.
El limpiafondos se queda trabado en los escalones.	<ul style="list-style-type: none">• Use el calibrador de caudal para verificar que el caudal sea adecuado.• Confirme que la longitud de la manguera sea adecuada. De ser necesario, acórtela.• Use los chorros de retorno para guiar el limpiafondos.
El limpiafondos se queda en las paredes o la orilla de la piscina.	<ul style="list-style-type: none">• Con el calibrador de caudal como guía, reduzca el caudal al limpiafondos.• Verifique que la posición del peso de la manguera sea la correcta: aproximadamente 60" o 1.5 m atrás del limpiafondos.
El limpiafondos no asciende por las paredes.	<p>Nota: La habilidad de ascender puede ser limitada en algunas piscinas de vinilo o piscinas con bordes de seguridad.</p> <ul style="list-style-type: none">• Use el calibrador de caudal para verificar que el caudal sea adecuado.• Verifique que la posición del peso de la manguera sea la correcta: aproximadamente 60" o 1.5 m atrás del limpiafondos.

G2 Diagrama de piezas



No.	Pieza #	Descripción	Cant.
1	W83278	Rueda deflectora - 12 po.	1
2	W70460	Tubo de extensión exterior	1
3	W56525	Tubo de extensión interno	1
4	W81600	Anillo de retención del diaframa	1
5	W81701	Diaframa	1
6	W70476	Peso / Conjunto del flotador	1
7	W74000	Anillo de compresión	1
8	W70461	Cuerpo interno	1
9	W70327	Almoadilla de pie	1
10	W70464	Disco con aletas	1
11	W70335	Válvula de caudal	1
12	W33160	Conector - 4,5"	1
13	W60050	Válvula FlowKeeper™	1
14	W70263	Manguito de valvula a nivel	1
15	W70244	Codo de 45°	2
16	W33800	Neta protectora de manguera	1
17	W38260	Manguera, 1 metro	12
18	W83247	Peso de manguera (USA/México)	2
	W83247	Peso de manguera (Canada)	1

Español



Zodiac Pool Systems, Inc.
2620 Commerce Way
Vista, CA 92081 USA • Tel: 1-800-822-7933

Zodiac Pool Systems Canada, Inc.
2115 South Service Road West, Unit 3
Oakville, ON Canada L6L 5W2 • Tel: 1-888-647-4004