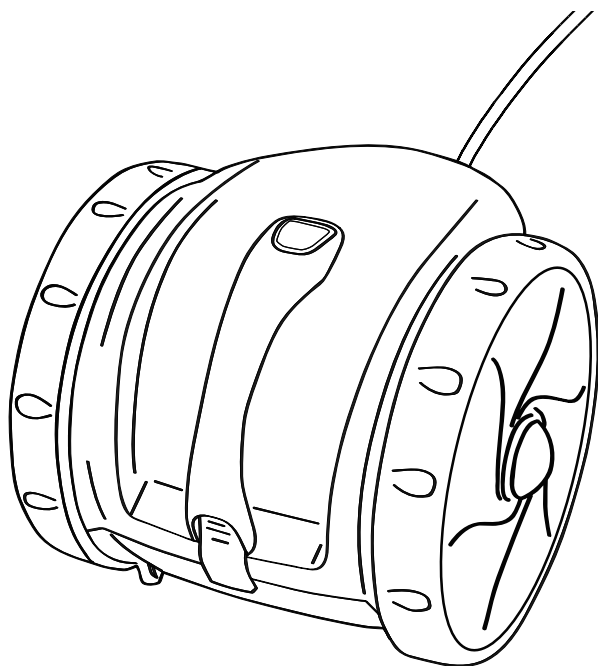




# Polaris®

# 9100 SPORT



## OWNER'S MANUAL

ENGLISH | FRANÇAIS | ESPAÑOL

### ⚠ WARNING

**FOR YOUR SAFETY** - For anything other than the routine cleaning and maintenance described in this manual, this product must be serviced by a contractor who is licensed and qualified in pool equipment by the jurisdiction in which the product will be installed where such state or local requirements exist. In the event no such state or local requirement exists, the maintainer must be a professional with sufficient experience in pool equipment installation and maintenance so that all of the instructions in this manual can be followed exactly. Improper installation and/or operation will void the warranty.

### ⚠ AVERTISSEMENT

**POUR VOTRE SÉCURITÉ** – Pour toute opération autre que l'entretien de routine et la maintenance décrite dans ce manuel, ce produit doit être pris en charge par une entreprise qui est autorisée et qualifiée pour la réparation des équipements de piscine par la juridiction où le dit produit est installé lorsque de telles exigences locales ou provinciales sont édictées. Si aucune exigence locale ou provinciale n'est disponible, l'agent d'entretien doit être un professionnel avec suffisamment d'expérience dans l'installation et la maintenance d'équipement de piscine pour appliquer correctement les consignes du présent manuel. L'installation ou l'utilisation inappropriée annulera la garantie.

### ⚠ ADVERTENCIA

**PARA SU SEGURIDAD** - Para cualquier cosa con excepción de la limpieza rutinaria y mantenimiento de descritos en este manual, este producto debe ser atendido por un contratista que está autorizado y calificado en equipo de piscina bajo la jurisdicción en la que el producto se instala en donde requisitos de estado y locales existen. En el caso de que no exista ningún requisito de estado o local, el responsable debe ser un técnico profesional con experiencia suficiente en la instalación de piscinas y mantenimiento de equipo para que todas las instrucciones en este manual puede ser seguidas exactamente. Inapropiada instalación y/o operación anulará la garantía.

THANK YOU FOR PURCHASING THE POLARIS® 9100 SPORT ROBOTIC CLEANER.

YOUR POLARIS 9100 SPORT ROBOTIC CLEANER HAS BEEN DESIGNED AND MANUFACTURED TO BE EASILY INSTALLED AND TO PROVIDE LOW MAINTENANCE OPERATION. PRIOR TO INSTALLING YOUR NEW POLARIS 9100 SPORT CLEANER, PLEASE DO THE FOLLOWING:

- 1) Complete and return the warranty card.
- 2) Record your purchase information on the spaces provided below.
- 3) Attach your invoice (or a copy) to this page.

Taking these steps will help ensure prompt warranty service, should it be required. If service is required, please contact your original dealer. If the original dealer does not perform warranty service, please visit [www.polarispool.com](http://www.polarispool.com) to locate an independent service company near you. If you are unable to locate a service company, please call our Technical Support Department at 800-822-7933.

RECORD YOUR POLARIS 9100 SPORT POOL CLEANER DATA HERE:

Date of Purchase \_\_\_\_\_ Purchased From \_\_\_\_\_ Serial Number: \_\_\_\_\_  
(On ID Plate Located on Bottom of Control Unit)

City \_\_\_\_\_ State \_\_\_\_\_ Zip Code \_\_\_\_\_

## Table of Contents

<b>Section 1. Important Safety Instructions.....</b>	<b>4</b>
<b>Section 2. Cleaner Specifications .....</b>	<b>6</b>
2.1 General Specifications .....	6
<b>Section 3. Assembly and Initial Usage .....</b>	<b>6</b>
3.1 Unpacking .....	6
3.3 Electrical Connection.....	7
<b>Section 4. Operation.....</b>	<b>7</b>
4.1 Submerging the Cleaner .....	7
4.2 Operating the Cleaner .....	7
4.3 Removing the Cleaner from Pool .....	8
<b>Section 5. Cleaning and Maintenance .....</b>	<b>9</b>
5.1 Cleaning the Filter Canister.....	9
5.2 Replacing the Filter Canister .....	9
5.4 Replacing the Brushes .....	10
5.5 Replacing the Tires on the Cleaner .....	11
<b>Section 6. Troubleshooting .....</b>	<b>12</b>
<b>Section 7. Polaris 9100 Sport Replacement Parts List and Exploded View ....</b>	<b>13</b>

## Section 1. Important Safety Instructions

Congratulations on purchasing the Polaris 9100 Sport Robotic Cleaner. Please take a moment to read through the entire manual before installing your new robotic pool cleaner. Your cleaner must be installed and operated as specified.

### READ AND FOLLOW ALL INSTRUCTIONS

English

#### **⚠ WARNING**

**Failure to comply with the following warnings can result in permanent injury, electrocution or drowning.**

##### **PREVENT ELECTRICAL SHOCK**

To reduce risk of electrical shock:

- Connect unit to receptacle protected by a ground fault circuit interrupter (GFCI). Such a GFCI receptacle should be provided by a qualified installer and should be tested on a routine basis. To test the GFCI, push the test button. The GFCI should interrupt power. Push the reset button. Power should be restored. If the GFCI fails to operate in this manner, the GFCI is defective. If the GFCI interrupts power to the pump without the test button being pushed, a ground current is flowing, indicating the possibility of an electric shock. Do not use this product. Disconnect the cleaner and have the problem corrected by a qualified service representative before using.
- Per the United States National Electric Code (NEC®), keep the control unit at least five (5) feet from the edge of the (pool/spa) water. In Canada, the Canadian Electrical Code (CEC®) requires a minimum distance of 3m (10 ft.) to be maintained between the pool edge and the control unit. Never submerge the control unit.
- Do not enter pool while the Polaris 9100 Sport is in water.
- Do not bury cord. Locate cord so as to prevent it from being damaged by lawn mowers, hedge trimmers and other equipment.
- To reduce the risk of electrical shock, do not use the Polaris 9100 Sport robotic cleaner or control unit if the cord is worn or damaged. Contact Zodiac Pool Systems, Inc. Technical Support immediately for a replacement cord.
- Double insulation—For continued protection against possible electric shock, use only identical replacement parts when servicing. Do not attempt repair of the Polaris 9100 Sport robotic cleaner, control unit, power cord, or floating cable.
- NEVER OPEN CONTROL UNIT.
- Do not use an extension cord to connect the unit to electric supply; provide a properly located outlet. The control unit should be placed near the outlet box.

##### **PREVENT CHILD INJURY AND DROWNING**

- To reduce the risk of injury, do not permit children to operate this product.
- Do not let anyone, especially small children, sit, step, lean, or climb on any equipment installed as part of your pool's operational system.



**⚠ CAUTION**

**Failure to comply with the following warnings could cause damage to pool equipment or personal injury.**

- The Polaris 9100 Sport must be installed and operated as specified.
- This product is intended for use with permanently-installed pools. Do not use with storable pools. A permanently-installed pool is constructed in or on the ground or in a building such that it cannot be readily disassembled for storage. A storable pool is constructed so that it is capable of being readily disassembled for storage and reassembled to its original integrity.
- Turn the Polaris 9100 Sport off before removing it from water, and do not operate out of water.
- Do not remove the cleaner from the pool for 15 minutes after the cleaning cycle has completed.
- Clean the filter canister in the Polaris 9100 Sport after each use.
- Do not use the product in your pool if the water temperature is above 95° F (35° C) or below 55° F (13° C).

**⚠ CAUTION****USE OF THE POLARIS 9100 SPORT ROBOTIC CLEANER IN A VINYL LINER POOL**

Certain vinyl liner patterns are particularly susceptible to rapid surface wear of pattern removal caused by objects coming into contact with the vinyl surface, including pool brushes, pool toys, floats, fountains, chlorine dispensers, and automatic pool cleaners. Some vinyl liner patterns can be seriously scratched or abraded simply by rubbing the surface with a pool brush. Ink from the pattern can also rub off during the installation process or when it comes into contact with objects in the pool. Zodiac Pool Systems, Inc., is not responsible for, and the Limited Warranty does not cover, pattern removal, abrasion or markings on vinyl liners.

**SAVE THESE INSTRUCTIONS**

## Section 2. Cleaner Specifications

### 2.1 General Specifications

The general specifications for the Polaris 9100 Sport are as follows:

Control unit voltage:	100-240 VAC, 50/60 Hz
Polaris 9100 Sport supply voltage:	30 V DC, max.
Installed load:	70 W max
Cable length:	50 feet 15 m
Weight of cleaner:	12 lbs 5.75 kg
Filtration efficiency:	fine filtering
Cycle length:	2 hours approx

The Polaris 9100 Sport is a double-insulated product. A double-insulated electrical appliance is one which has been designed in such a way that it does not require a safety connection to ground. The basic requirement for double-insulation is that no single failure can result in dangerous voltage becoming exposed so that it might cause an electric shock and that this is achieved without relying on an earthed (grounded) metal casing. This is achieved by having two (2) layers of insulating material surrounding live parts or by using reinforced insulation.

Therefore, devices having double-insulated construction, such as the Polaris 9100 Sport, do not utilize a grounded (three-prong) cord/plug.

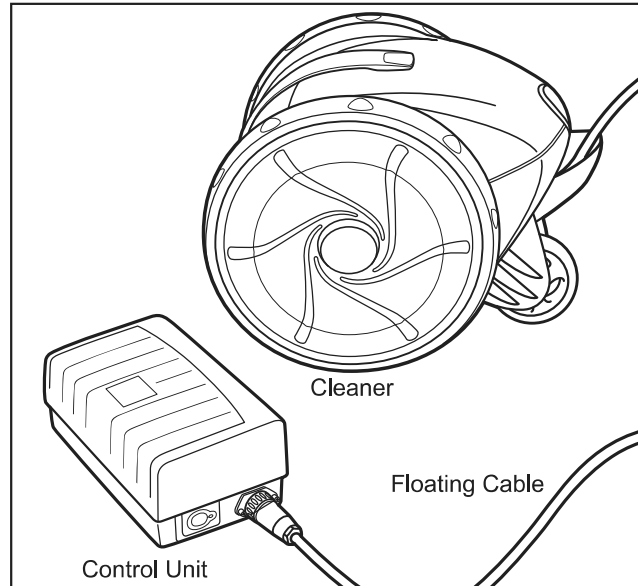
## Section 3. Assembly and Initial Usage

### 3.1 Unpacking

The packaging should contain the following items (Refer to Figure 1):

- Polaris 9100 Sport robotic cleaner
- Control unit
- Hardware and template
- Owner's Manual

Check that the unit has not been damaged during transport. If you detect damage, contact Zodiac Pool Systems, Inc. at 800.822.7933 before using your Polaris 9100 Sport robotic cleaner.



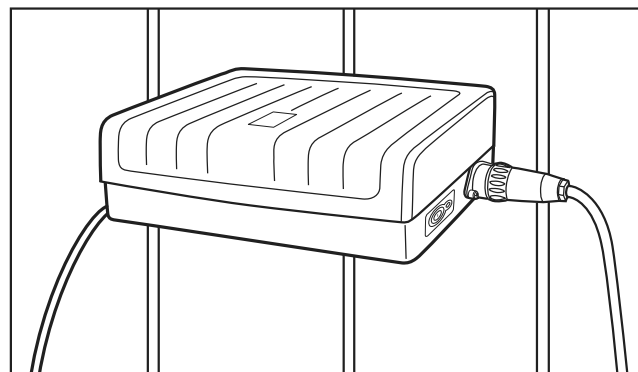
**Figure 1. Polaris 9100 Sport Components**

To unpack the Polaris 9100 Sport and its components:

1. Open the top flaps of the carton.
2. Remove the control unit from the carton.
3. Remove the floating cable and then the cleaner from the carton.

### 3.2 Attaching the Control Unit to a Wall

1. Place the template, provided with the unit, on the wall where you want to attach the control unit.
2. Using the 1/8" drill bit, drill three (3) holes. Screw the three (3) 1/4" screws, provided with the unit, into the holes and place the control unit onto the screws. Refer to Figure 2.



**Figure 2. Position Control Unit on the Wall**

### 3.3 Electrical Connection

#### ⚠ WARNING

Failure to comply with the following warnings can result in permanent injury, electric shock or drowning.

#### PREVENT ELECTRICAL SHOCK

- Keep the control unit at least five (5) feet from the edge of the pool (Canada 3m (10 ft.) per CEC® requirements). Never submerge the control unit.
- Only connect the control unit to a receptacle protected by a GFCI. Contact a certified electrician if you cannot verify that the receptacle is protected by a GFCI.
- Do not use an extension cord to connect the control unit.
- Do not allow anyone to swim while the Polaris 9100 Sport robotic cleaner is in the pool.

For your safety and to obtain the best possible performance from your Polaris 9100 Sport, connect the cleaner's floating cable to the cleaner's control unit by twisting the threaded connector until it is snug. Do not overtighten. Refer to Figure 3.

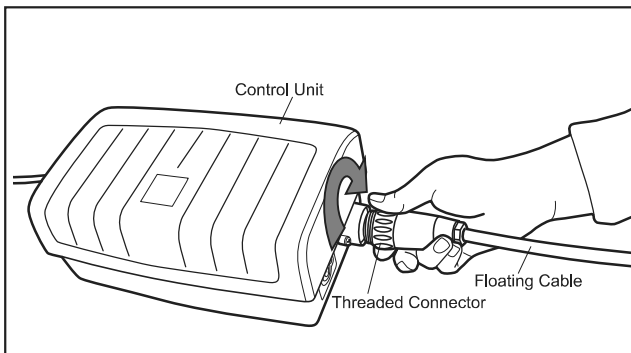


Figure 3. Electrical Connection

The green indicator light on the control unit will illuminate for a short period to indicate that the cycle is ready to start. Do not try to start a cycle until the indicator is illuminated.

#### IMPORTANT

The Polaris 9100 Sport control unit is equipped with an automatic shut off feature to prevent overheating if operated in direct sunlight for an extended period of time.

#### ⚠ WARNING

The Polaris 9100 Sport control unit is water-resistant, not waterproof. In order to prevent the risk of electric shock which could result in serious injury or death, never submerge the control unit.

## Section 4. Operation

### 4.1 Submerging the Cleaner

1. While holding the cleaner by the handle, submerge the cleaner in the pool and remove any air trapped inside by keeping the unit vertical. Make sure that the cleaner sinks to the bottom of the pool. Refer to Figure 4.

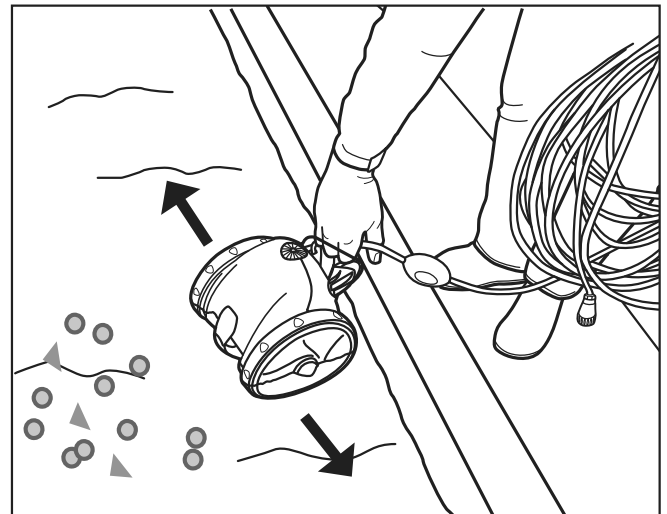


Figure 4. Submerge the Cleaner Vertically

2. Spread the floating cable over the pool, ensuring there are no kinks or bends in the cable. Refer to Figure 5.

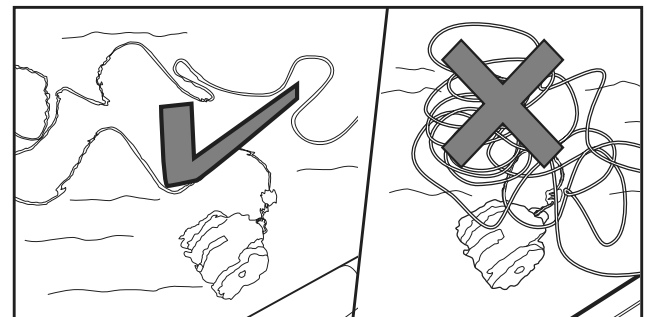


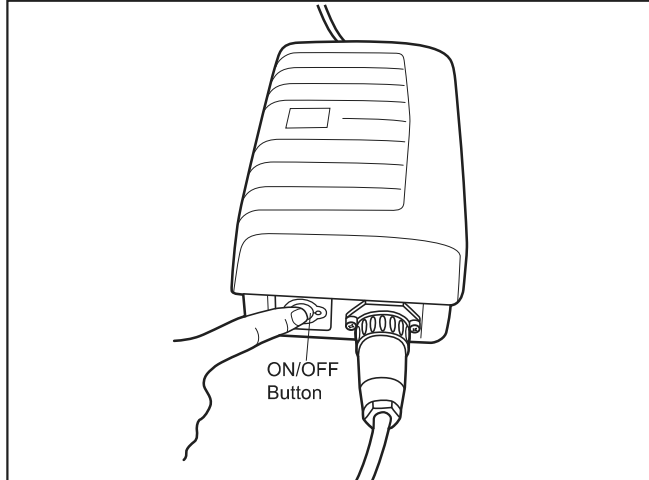
Figure 5. Spread Floating Cable Over the Pool

### 4.2 Operating the Cleaner

1. To start your Polaris 9100 Sport robotic cleaner, press the ON/OFF button. Refer to Figure 6. The green indicator light illuminates and the cleaner will start up after just a few seconds.

**NOTE** The cleaner will clean the floor and lower portion of the pool wall. The cleaner will not reach the water line.

- If you wish to stop the cleaner during the cleaning cycle, press the ON/OFF and ensure that the green LED light goes off. Refer to Figure 6.



**Figure 6. Start the Cleaner.**

- At the end of the cycle, the cleaner needs a cool down period of 15 minutes to prevent damage to the seals. During this period, the green indicator is lit indicating the cleaner should stay in the water.
- After the cool down period is complete, the green indicator will turn off. The unit can be removed from the pool.

**NOTE** The Polaris 9100 Sport includes a safety feature that automatically stops the cleaner if it is powered ON when it is not submerged in the water. For pools equipped with a beach area, this safety feature allows the cleaner to reverse, and go back into the pool.

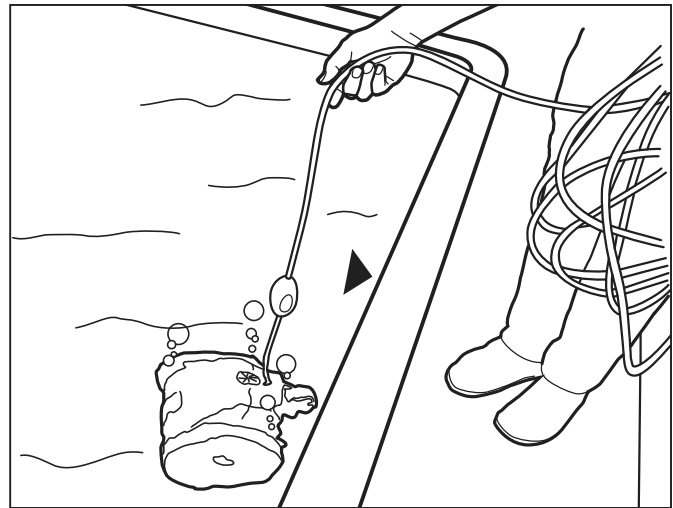
### 4.3 Removing the Cleaner from Pool

- After the cleaning cycle is completed and the 15 minute cool down period has elapsed, gently pull the floating cable toward the side of the pool (see Figure 7).

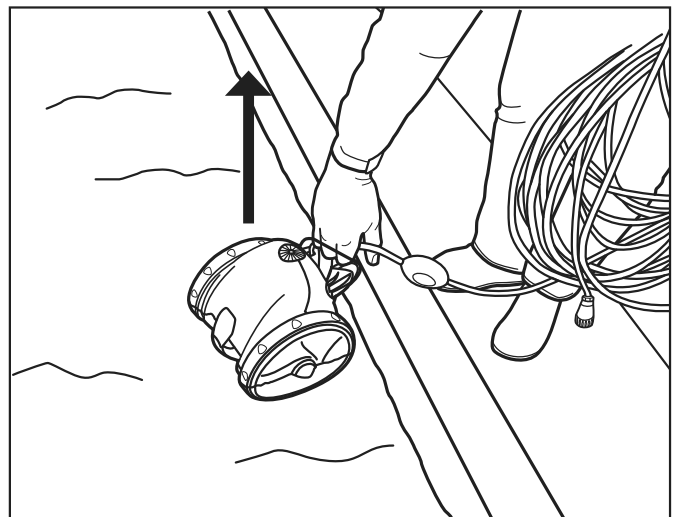
#### **⚠ CAUTION**

To prevent damage to the cleaner, never lift the cleaner out of the pool using the floating cable. Always lift the cleaner using the handle.

- Lift the Polaris 9100 Sport out of the pool using the handle. Drain the remaining water from the cleaner by keeping the cleaner in a vertical position. Refer to Figure 8.



**Figure 7. Remove Cleaner From Pool**



**Figure 8. Keep Cleaner Vertical to Drain Water**

- Disconnect the control unit cable from the electrical outlet.
- Disconnect the cable from the control unit.
- Coil the cable starting at the cleaner and moving toward the connection point at control unit. Remove any coils or twists along the entire length of the cable.
- Store cleaner out of direct sunlight.

#### **IMPORTANT**

- Use your Polaris 9100 Sport robotic cleaner as often as needed to keep your pool clean.
- Clean the filter canister after each cleaning cycle.
- Do not leave your cleaner in the pool on a permanent basis.
- At the end of each cycle, remove the cleaner from the pool. Start at the cleaner head and untangle any coils in the cable before storing the cleaner.

## Section 5. Cleaning and Maintenance

### ⚠ WARNING

To avoid electric shock and other hazards which could result in permanent injury or death, disconnect (unplug) the cleaner from the electrical outlet before performing any cleaning and maintenance.

#### 5.1 Cleaning the Filter Canister

The filter canister should be cleaned at the end of each cycle.

1. Ensure that the control unit cable has been disconnected from the electrical outlet.
2. Set the unit on its wheels.
3. Push the cover latch and lift the cover. Refer to Figure 9.

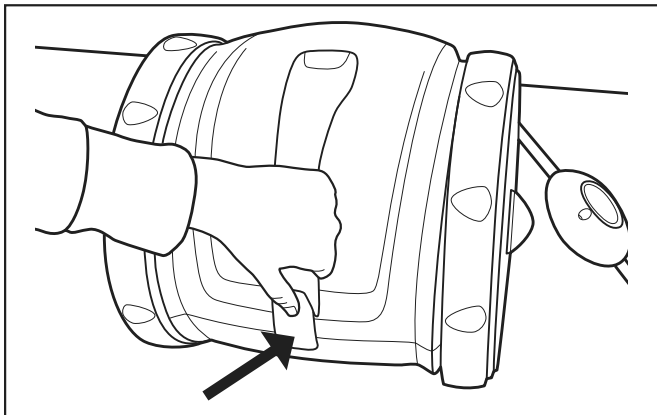


Figure 9. Open Cover of the Cleaner

4. Remove the filter assembly from the body, as shown in Figure 10.

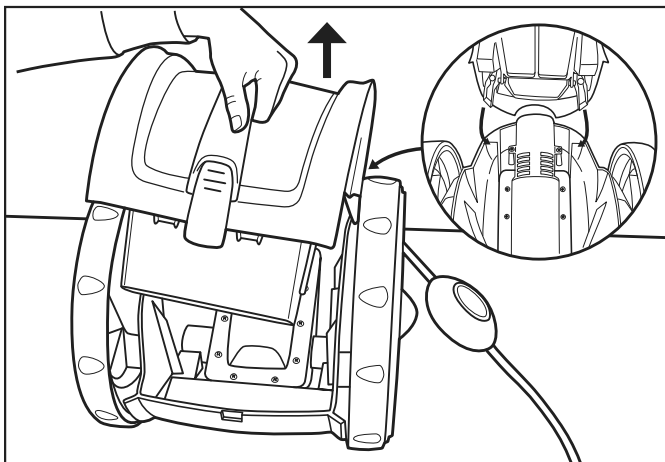


Figure 10. Remove the Filter Canister/Cover Assembly

5. Press the canister clip with your finger to separate the filter canister from the top cover, as shown in Figure 11.

6. Wash the filter canister with clean water from a hose.

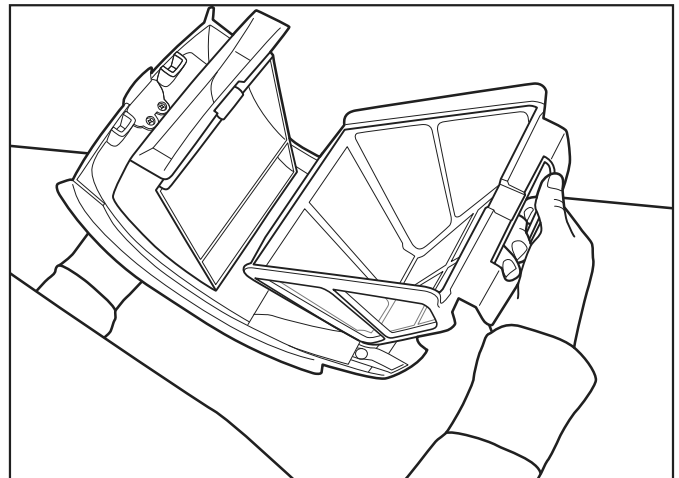


Figure 11. Remove Filter Canister from Cover

#### 5.2 Replacing the Filter Canister

1. Position the filter canister hooks on the top cover receiving pins, as shown in Figure 12.

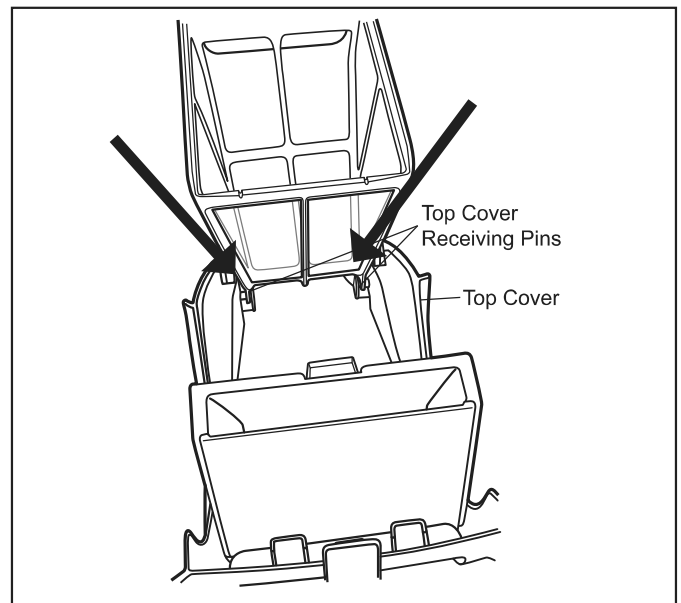
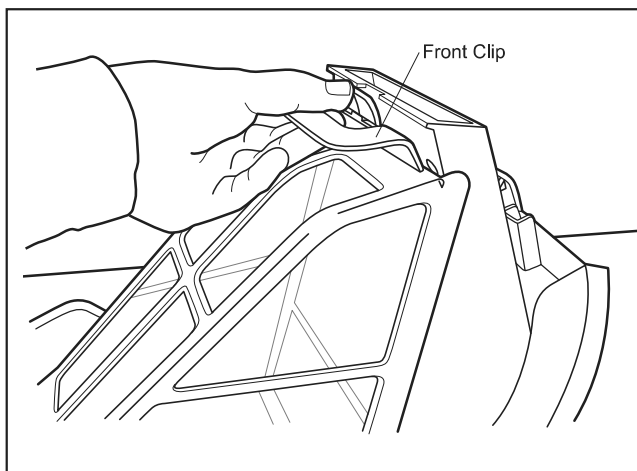


Figure 12. Engaging the Filter Canister Hooks on Top Cover

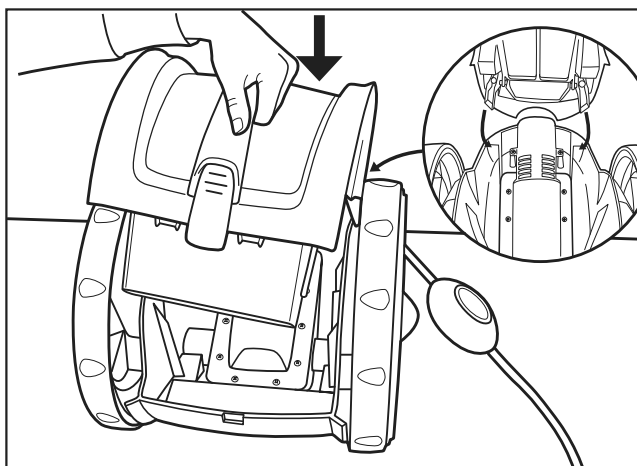
2. Rotate the filter canister and lock it in place using the front clip. Refer to Figure 13. When the filter canister is installed properly on the top cover, it will be firmly attached.
3. Locate the top cover hinges under the body shoulders, as shown in Figure 14.



- Lower the cover and allow the cover latch to lock the top cover in place (refer to Figure 9).



**Figure 13. Position and Lock the Filter Canister in Place**



**Figure 14. Replace the Cover**

### 5.3 Cleaning and Storing the Cleaner

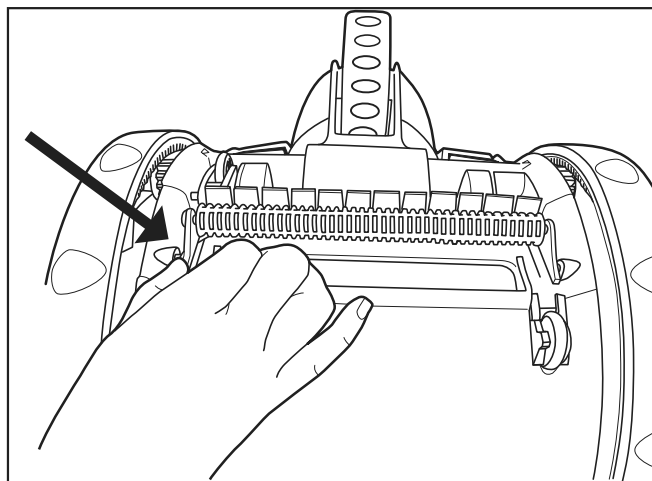
The cleaner must be cleaned regularly using slightly soapy clean water, do not use solvents such as trichloroethylene or its equivalents. Rinse the cleaner generously using clean water. Do not let your cleaner dry in direct sunlight near the pool.

**NOTE** The cleaner cable must be disconnected from the control unit before removing the cleaner from the pool.

### 5.4 Replacing the Brushes

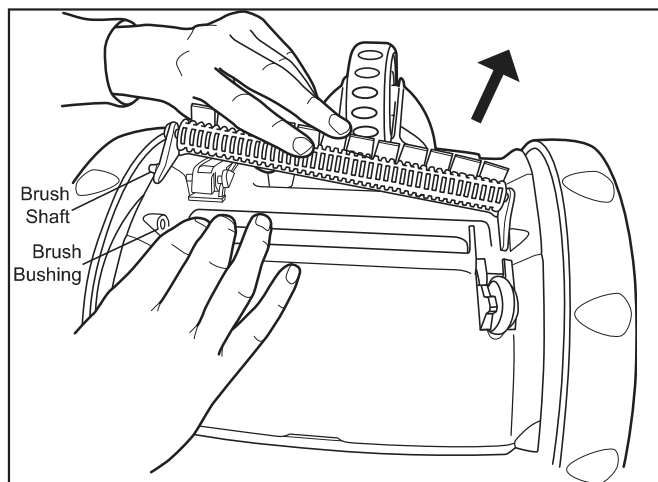
The cleaner is fitted with a PVC brush with a wear indicator. To maintain cleaner performance at its best, you will need to replace the brushes when the wear indicator is reached.

- Place the cleaner upside-down so that you can access the brush. Refer to Figure 15.
- Push on one of the arms of the brush to remove its shaft from the bushing, as shown in Figure 15.



**Figure 15. Push Brush Arm**

- Lift the brush and then remove it from the cleaner. Refer to Figure 16.
- Install the new brush shaft in its bushing. Refer to Figure 16.
- Install the second shaft (on the other side) of the new brush in its bushing. Refer to Figure 16.



**Figure 16. Remove and Replace the Brush From the Cleaner**

### 5.5 Replacing the Tires on the Cleaner

1. Using your fingers, pull on the inside of the old tire to remove the tire lip from the wheel. See Figure 17.
2. Remove the old tire as shown in Figure 18.

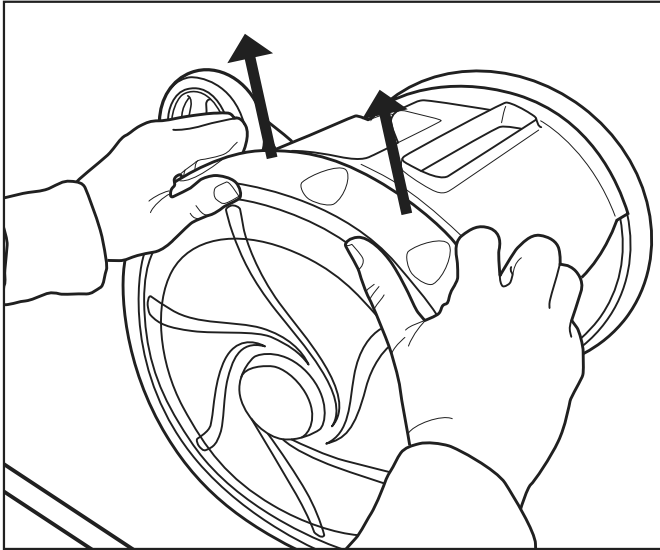


Figure 17. Pull on Inside of Old Tire

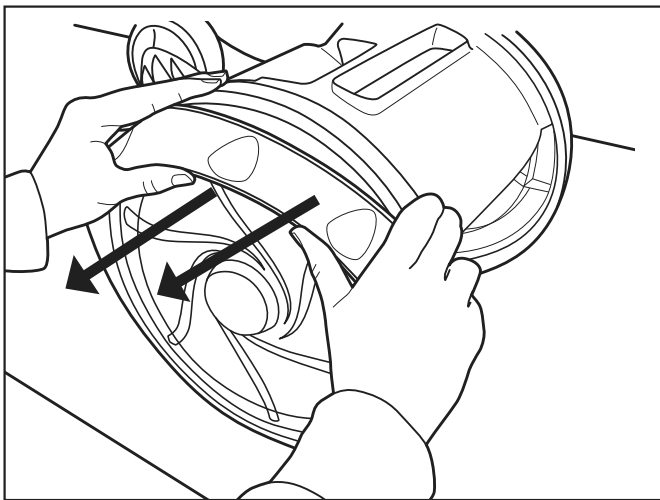


Figure 18. Remove the Old Tire From the Cleaner

3. To replace the tire, position the new tire on the wheel making sure to orient the tire so that the tire groove pattern is on the outer side of the wheel. See Figure 19.

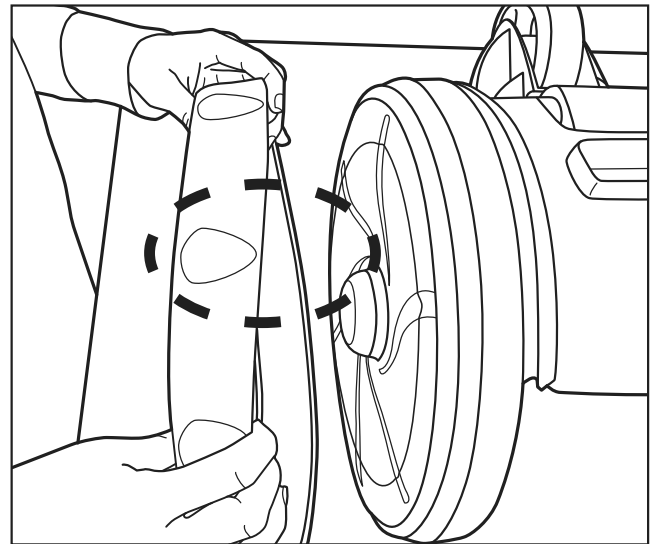


Figure 19. Tire Replacement Orientation

4. Push one side of the tire on to the wheel and fit the tire onto the wheel as shown in Figure 20.

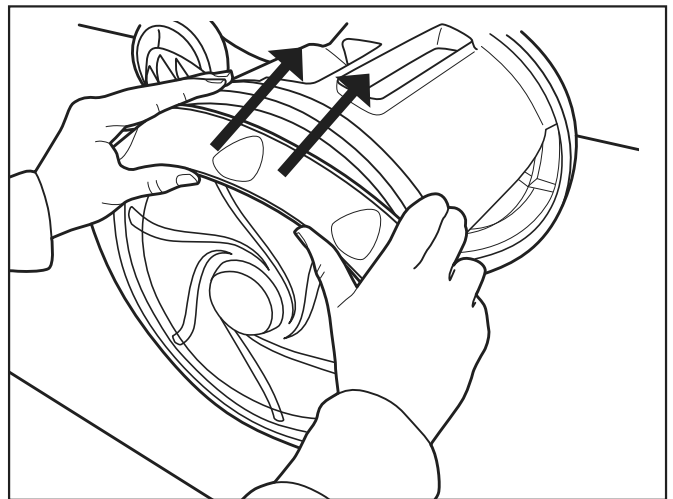


Figure 20. Push Tire onto the Wheel

5. Work the tire around and onto the wheel. Refer to Figure 21.

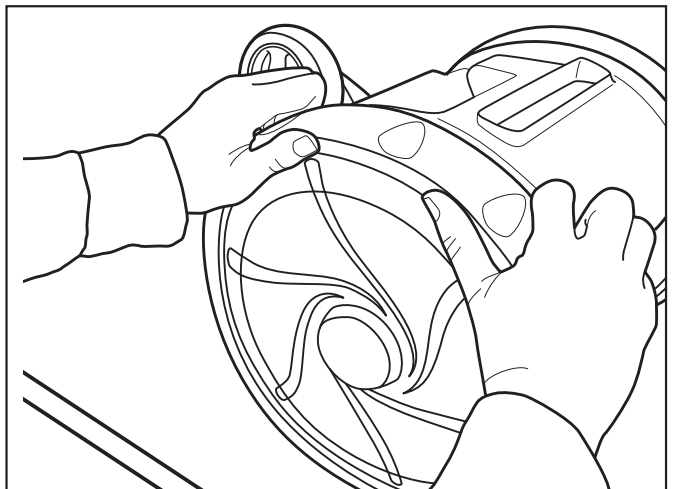


Figure 21. Push the Tire Into Place

## Section 6. Troubleshooting

### ⚠ WARNING

In order to prevent the risk of electric shock which could result in serious injury or death, DO NOT open the control unit.

Symptom	Cause	Solution
The cleaner does not move and the green indicator light does not illuminate.	Unit is OFF.	Make sure the ON/OFF button is turned ON.
	Cleaner is not supplied with electricity.	<ol style="list-style-type: none"> <li>1. The electrical outlet the control unit is connected to is not supplying electrical power.</li> <li>2. Plug main power cord into another electrical outlet that is powered and ensure the green light flashes once.</li> <li>3. If the green indicator does not illuminate, contact your local Polaris service representative.</li> </ol>
The green indicator light flashes after you press the ON/OFF button.	Control unit needs to be reset/not properly connected.	<p>Submerge the cleaner following the procedure in Section 4.1, "Submerging the Cleaner".</p> <ol style="list-style-type: none"> <li>1. To reset the supply: <ol style="list-style-type: none"> <li>a. Unplug the main power cord from the electrical receptacle.</li> <li>b. Disconnect the floating cable connector from the control unit and then reconnect it following the procedures in Section 3.3, "Electrical Connection".</li> <li>c. Plug the main cord in the electrical receptacle and check if the green indicator light illuminates.</li> <li>d. Press the ON/OFF button. If the green indicator does not illuminate or flashes, contact your local Polaris service representative.</li> </ol> </li> </ol>
The cleaner does not pick up the debris.	The filter is full or dirty.	Clean the filter canister following the procedure Section 5.1, "Cleaning the Filter Canister".
The cleaner does not stay firmly on the pool bottom.	There is air in the appliance casing.	Submerge the cleaner following the procedure in Section 4.1, "Submerging the Cleaner". If the problem persists, unscrew the cleaner over plate and remove the polystyrene floater from inside the cover plate. Replace the cover and resubmerge the cleaner.
The cleaner's ability to climb the pool sides is reduced. NOTE: The cleaner is not designed to climb up to the waterline.	The filter is full or dirty.	Clean the filter canister following the procedure Section 5.1, "Cleaning the Filter Canister".
	Tires are worn.	Replace the tires following the procedure in Section 5.5, "Replacing the Tires on the Cleaner."
	Sides of pool are slippery or slimy. Although the water seems clear, microscopic algae, invisible to the human eye, are present in the pool. As a result the pool sides become slippery and prevent the cleaner from climbing.	Ensure that your pool's chemicals are balanced. If the chemicals are balanced, contact your local Polaris service representative.



Symptom	Cause	Solution
Right turning and/or rotating is inefficient	There is debris under the pivot stirrup.	Remove debris from the stirrup and verify that it pivots freely.
	The roller is worn.	If the roller is worn, replace as necessary.
	The cleaner is too light.	Remove the polystyrene floater. Unscrew the cleaner cover plate and remove the polystyrene floater from inside the cover plate. Replace the cover and resubmerge the cleaner.
Left turning is inefficient.	The cleaner is too heavy.	Contact your reseller to obtain a polystyrene floater to install under the cover plate.

## Section 7. Polaris 9100 Sport Replacement Parts List and Exploded View

The complete replacement parts list and exploded view is available on the Polaris website at [www.polarispool.com](http://www.polarispool.com).

## NOTES

English





Conforms to UL 1081  
Certified to CSA E63055-2-41

**Zodiac Pool Systems, Inc.**  
2620 Commerce Way, Vista, CA 92081  
1.800.822.7933 | [www.ZodiacPoolSystems.com](http://www.ZodiacPoolSystems.com)

ZODIAC® is a registered trademark of Zodiac International, S.A.S.U., used under license.  
All trademarks referenced herein are the property of their respective owners.

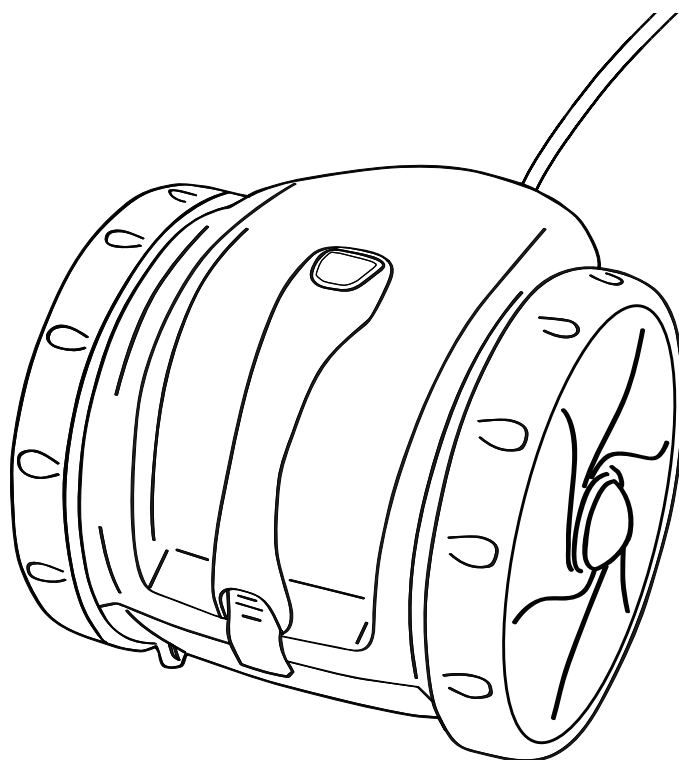
©2011 Zodiac Pool Systems, Inc. H0351305 Rev - 1111





**Polaris®**

**9100** SPORT



## MANUEL DU PROPRIÉTAIRE

FRANÇAIS

### **▲ AVERTISSEMENT**

**POUR VOTRE SÉCURITÉ** – Pour toute procédure autre que l'entretien de routine et la maintenance décrite dans ce manuel, ce produit doit être pris en charge par une entreprise autorisée et qualifiée pour la réparation des équipements de piscine par les provinces ou territoires où ledit produit est installé lorsque de telles exigences locales, provinciales ou territoriales sont édictées. Si aucune exigence locale, provinciale ou territoriale n'est disponible, l'agent d'entretien doit être un professionnel avec suffisamment d'expérience dans l'installation et la maintenance de l'équipement de piscine pour appliquer correctement les consignes du présent manuel. L'installation ou l'utilisation inappropriée annulera la garantie.

NOUS VOUS REMERCIONS D'ACHETER LE ROBOT NETTOYEUR POLARIS® 9100 SPORT.

VOTRE ROBOT POLARIS 9100 SPORT A ÉTÉ CONÇU POUR ÊTRE INSTALLÉ FACILEMENT ET NE DEMANDER QU'UN MINIMUM D'OPÉRATION D'ENTRETIEN. AVANT D'INSTALLER VOTRE NOUVEAU POLARIS 9100 SPORT, VEUILLEZ SUIVRE LES ÉTAPES CI-DESSOUS :

- 1) Remplir et retourner le bon de garantie.
- 2) Enregistrer votre information d'achat dans les espaces prévus ci-dessous.
- 3) Joindre votre facture (ou une copie) à cette page.

Le respect de ces étapes assure un service rapide de garantie, le cas échéant. Si une réparation est requise, veuillez communiquer avec votre détaillant d'origine. Si le détaillant d'origine ne remplit pas convenablement le service de garantie, veuillez visiter [www.polarispool.com](http://www.polarispool.com) pour localiser une société de services de réparation indépendante près de chez vous. Si vous ne parvenez pas à localiser une société de services de réparation, veuillez communiquer avec notre service du soutien technique au 1 800 822-7933.

ENREGISTREZ LES RÉFÉRENCES DE VOTRE ROBOT NETTOYEUR 9100 SPORT ICI :

Date d'achat \_\_\_\_\_ Acheté de \_\_\_\_\_ N° de série : \_\_\_\_\_

(Sur la plaque d'identification située au bas du module de commande)

Ville \_\_\_\_\_ État/Province/Territoire \_\_\_\_\_ Code postal \_\_\_\_\_

## Table des matières

<b>Section 1. Consignes de sécurité importantes .....</b>	<b>20</b>
<b>Section 2. Spécifications du robot nettoyeur</b>	<b>22</b>
2.1 Spécifications générales .....	22
<b>Section 3. Assemblage et utilisation initiale</b>	<b>22</b>
3.1 Désemballage .....	22
3.3 Raccordement électrique .....	23
<b>Section 4. Fonctionnement.....</b>	<b>24</b>
4.1 Immersion du robot nettoyeur .....	24
4.2 Fonctionnement du robot nettoyeur .....	24
4.3 Retrait du nettoyeur de la piscine.....	24
<b>Section 5. Entretien et maintenance.....</b>	<b>25</b>
5.1 Nettoyage de la cartouche filtrante.....	25
5.2 Remplacement de la cartouche filtrante.....	26
5.4 Remplacement des balais.....	27
5.5 Remplacement des pneus du robot nettoyeur .....	28
<b>Section 6. Dépannage .....</b>	<b>29</b>
<b>Section 7. Vue éclatée et liste des pièces de rechange du Polaris 9100 Sport..</b>	<b>30</b>

## Section 1. Consignes de sécurité importantes

Félicitations, vous venez d'acheter un robot nettoyeur Polaris 9100 Sport. Veuillez lire ce guide au complet avant d'installer votre nouveau robot nettoyeur de piscine. Le robot nettoyeur doit être installé et utilisé selon ces directives.

### LIRE ET SUIVRE TOUTES LES CONSIGNES

#### **⚠ AVERTISSEMENT**

**Si les précautions suivantes ne sont pas observées, il y a risque de blessures graves, d'électrocution ou de noyade.**

##### **ÉVITER LES CHOCS ÉLECTRIQUES**

Pour réduire le risque d'un choc électrique :

- Brancher l'appareil à une prise protégée par un disjoncteur de fuite à la terre (DDFT). Un tel DDFT doit être fourni par un installateur qualifié et doit faire l'objet de tests sur une base régulière. Pour tester le disjoncteur de fuite à la terre, appuyer sur le bouton de test. Le disjoncteur de fuite à la terre doit couper l'alimentation électrique. Appuyer sur le bouton de réinitialisation. L'alimentation électrique devrait être restaurée. Si le DDFT ne fonctionne pas de cette façon, c'est qu'il est défectueux. Si le disjoncteur de fuite à la terre coupe l'alimentation de la pompe sans que le bouton TEST ne soit enfoncé, un courant à la terre circule, indiquant la possibilité d'un choc électrique. Ne pas utiliser ce produit. Débrancher le robot nettoyeur, puis faire corriger le problème par un technicien qualifié avant son utilisation.
- Conformément au code électrique national des États-Unis (NEC®), garder le module de commande à une distance de 1,5 m (5 pi) du bord de l'eau (piscine/spa). Au Canada, le Code canadien de l'électricité (CCE) exige une distance minimale de 3 m (10 pi) entre le bord de la piscine et le module de commande. Ne jamais immerger le module de commande.
- Ne pas entrer dans la piscine alors que le Polaris 9100 Sport est dans l'eau.
- Ne pas enterrer le cordon. Placer le cordon de manière à ce qu'il ne soit pas endommagé par une tondeuse à gazon, un taille-haie et autre équipement.
- Pour réduire le risque de choc électrique, ne pas utiliser le Polaris 9100 Sport ou le module de commande si le cordon est usé ou endommagé. Veuillez immédiatement communiquer avec Zodiac Pool Systems, Inc. pour un fil de rechange.
- Isolation double : Pour une protection continue contre des chocs électriques possibles, n'utiliser que des pièces de rechange identiques pour les réparations. Ne pas essayer de réparer le robot nettoyeur Polaris 9100 Sport, le module de commande, le cordon d'alimentation ou le câble flottant.
- **NE JAMAIS OUVRIR LE MODULE DE COMMANDE.**
- Ne pas utiliser une rallonge afin de brancher l'appareil à l'alimentation électrique; fournir une sortie localisée adéquatement. Le module de commande doit être placé près de la boîte de sortie.

##### **ÉVITER QUE LES ENFANTS SE BLESSENT OU SE NOIENT**

- Pour réduire le risque de blessure, ne pas permettre aux enfants d'utiliser ou de faire fonctionner ce produit.
- Ne laisser personne, surtout de jeunes enfants, s'asseoir, mettre le pied, s'appuyer contre ou monter sur les appareils faisant partie du système opérationnel de la piscine.



## ⚠ ATTENTION

**Le défaut de se conformer aux avertissements suivants pourrait entraîner des dommages à l'équipement de la piscine ou causer des blessures.**

- Le Polaris 9100 Sport doit être installé et utilisé selon les consignes.
- Ce produit est destiné à une utilisation avec des piscines permanentes. Ne pas utiliser avec des piscines remisables. Une piscine permanente est construite dans le sol ou sur le sol ou dans un bâtiment de telle manière qu'elle ne puisse pas être facilement démontée et rangée. Une piscine remisable est construite pour qu'elle puisse facilement être démontée aux fins d'entreposage, puis remontée à son état initial.
- Désactiver le Polaris 9100 avant de le retirer de la piscine et ne pas le faire fonctionner hors de l'eau.
- Laisser le robot nettoyeur dans la piscine pendant 15 minutes après la fin du cycle de nettoyage.
- Nettoyer la cartouche filtrante du Polaris 9100 après chaque utilisation.
- Ne pas utiliser le produit dans une piscine si la température de l'eau est supérieure à 35 °C (95 °F) ou inférieure à 13 °C (55 °F).

## ⚠ ATTENTION

### UTILISATION DU ROBOT POLARIS 9100 SPORT DANS UNE PISCINE À REVÊTEMENT INTÉRIEUR EN VINYLE

Certains modèles de revêtement intérieur en vinyle sont particulièrement à risques d'user rapidement leur surface en vinyle en raison d'objets qui entrent en contact avec celle-ci, dont des balais de nettoyage, des jouets pour la piscine, des flotteurs, des fontaines, des distributeurs de chlore et des nettoyeurs automatiques de piscine. Certains modèles de recouvrement en vinyle peuvent être sérieusement rayés ou éraflés lorsque leur surface est frottée avec un balai de piscine. L'encre du modèle peut également s'effacer pendant le processus d'installation ou au contact d'objets dans la piscine. Zodiac Pool Systems, inc. n'est pas responsable, et la garantie limitée ne couvre pas, des motifs effacés, des abrasions ou des marques sur les recouvrements en vinyle.

**CONSERVER CES DIRECTIVES**

## Section 2. Spécifications du robot nettoyeur

### 2.1 Spécifications générales

Les spécifications générales pour le Polaris 9100 sont les suivantes :

Tension du module de commande :	100-240 VCA, 50/60 Hz
Tension d'alimentation du Polaris 9100 Sport :	30 V CC, max.
Charge installée :	70 W, max.
Longueur du câble :	50 pieds 15 m
Poids du robot nettoyeur :	12 lb 5.75 kg
Efficacité de filtration :	Filtrage fin
Durée du cycle :	Environ 2 heures

Le Polaris 9100 Sport est un produit à double isolation. Un appareil électrique à double isolation est conçu de telle sorte qu'il n'est pas nécessaire d'assurer l'installation avec une prise mise à la terre. La condition nécessaire pour que la double isolation soit efficace est qu'aucune panne ne puisse résulter de l'exposition d'une tension dangereuse pouvant causer un choc électrique. La manière de satisfaire cette condition est de ne pas se servir d'un cuvelage de métal mis à la terre. Cela est réalisé avec deux (2) couches de matériel isolant autour des composants sous tension ou par l'utilisation d'une isolation renforcée.

Par conséquent, les appareils à double isolation, tels que le Polaris 9100 Sport, n'utilisent pas de cordon/fiche mis(e) à la terre (à trois broches).

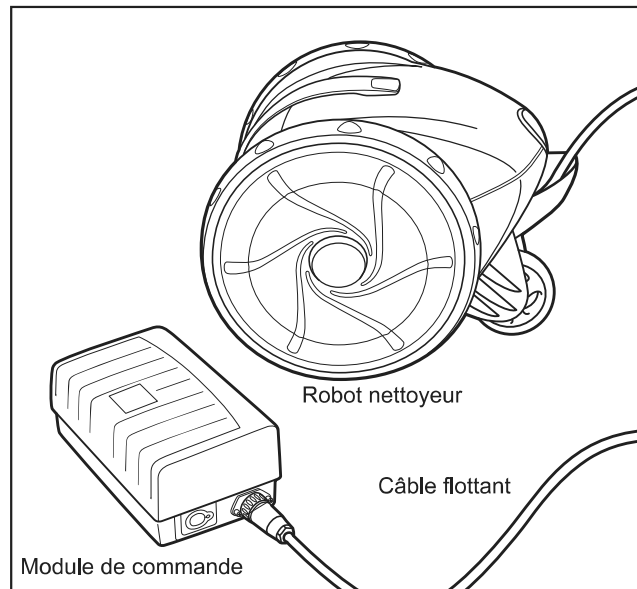
## Section 3. Assemblage et utilisation initiale

### 3.1 Désemballage

Les articles suivants devraient se trouver dans la boîte (Se référer à la Figure 1) :

- Robot nettoyeur Polaris 9100 Sport
- Module de commande
- Quincaillerie et gabarit
- Manuel du propriétaire

Vérifier que l'appareil n'a pas été endommagé pendant le transport. S'il a été endommagé, communiquer avec la société Zodiac Pool Systems, Inc. au +1 800 822-7933 avant d'utiliser le robot nettoyeur Polaris 9100 Sport.



**Figure 1. Composants du Polaris 9100 Sport**

Pour désemballer le Polaris 9100 Sport et ses composants :

1. Ouvrir les rabats supérieurs de la boîte.
2. Retirer le module de commande de la boîte.
3. Retirer le câble de flottaison et le robot nettoyeur de la boîte.

### 3.2 Fixation du module de commande sur une paroi murale

1. Placer le gabarit fourni avec l'appareil sur la paroi murale où vous souhaitez fixer le module de commande.
2. À l'aide d'une mèche de 1/8 po, percer trois (3) trous. Visser dans les trous les trois (3) vis de 1/4 po fournies avec le module, puis placer le module de commande sur les vis. Se référer à la Figure 2.

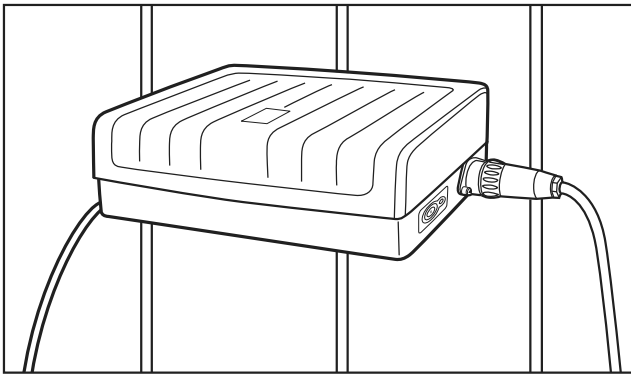


Figure 2. Positionner le module de commande sur la paroi murale

### 3.3 Raccordement électrique

#### ⚠ AVERTISSEMENT

Le non-respect des avertissements suivants peut provoquer des blessures permanentes, une décharge électrique ou une noyade.

#### ÉVITER LES CHOCS ÉLECTRIQUES

- Garder le module de commande à au moins 1,5 mètre (5 pieds) du bord de la piscine. Au Canada, la norme est de 3 m (10 pi) conformément aux exigences de la CEC®. Ne jamais immerger le module de commande.
- Ne raccorder le module de commande qu'à une prise de courant protégée par un disjoncteur de fuite à la terre (DDFT). Consulter un électricien certifié pour savoir si la prise est protégée par un disjoncteur de fuite à la terre (DDFT).
- Ne pas utiliser de rallonge pour raccorder le module de commande.
- Ne jamais permettre à quiconque de se baigner lorsque le robot nettoyeur Polaris 9100 Sport est dans la piscine.

Pour plus de sécurité et obtenir la meilleure performance possible du Polaris 9100 Sport, raccorder le câble de flottaison du robot nettoyeur à son module de commande en tournant le raccord fileté jusqu'à ce qu'il soit bien en place. Ne pas trop serrer. Se référer à la Figure 3.

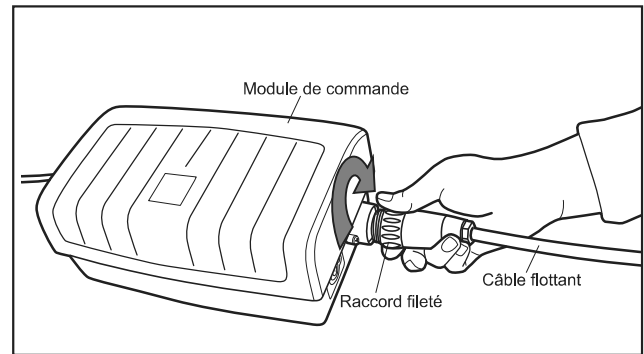


Figure 3. Raccordement électrique

Le voyant vert sur le module de commande s'allumera pendant une courte période pour indiquer que le cycle est prêt à démarrer. Ne pas essayer de démarrer un cycle avant que le voyant ne se soit allumé.

#### IMPORTANT

Le module de commande du Polaris 9100 Sport est muni d'un dispositif d'arrêt automatique pour éviter la surchauffe s'il est exposé à la lumière solaire directe pendant une longue période de temps.

#### ⚠ AVERTISSEMENT

Le module de commande du Polaris 9100 Sport est résistant à l'eau, mais non étanche. Afin d'éviter le risque de décharge électrique, ce qui pourrait entraîner des blessures graves ou la mort, ne jamais immerger le module de commande.

## Section 4. Fonctionnement

### 4.1 Immersion du robot nettoyeur

1. Tenir le robot nettoyeur d'une main et l'immerger dans l'eau de la piscine, puis purger tout l'air emprisonné à l'intérieur de celui-ci en le maintenant à la verticale. S'assurer que le robot nettoyeur descend au fond de la piscine. Se référer à la Figure 4.

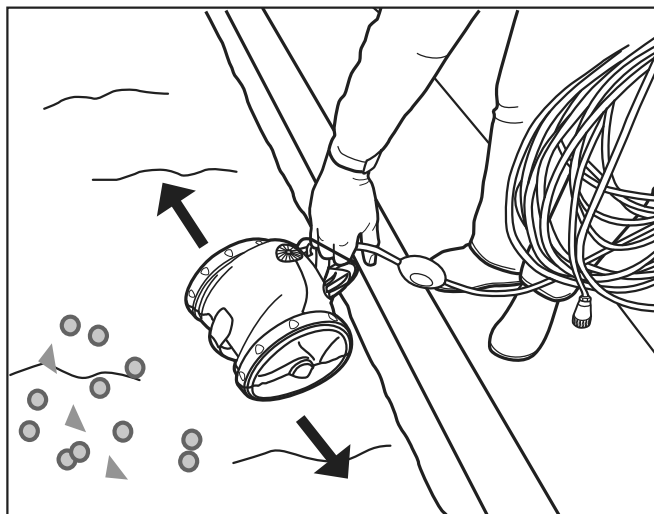


Figure 4. Immerger le nettoyeur verticalement

2. Étendre le câble de flottaison à la surface de la piscine, puis s'assurer que le câble n'est pas noué ni emmêlé. Se référer à la Figure 5.

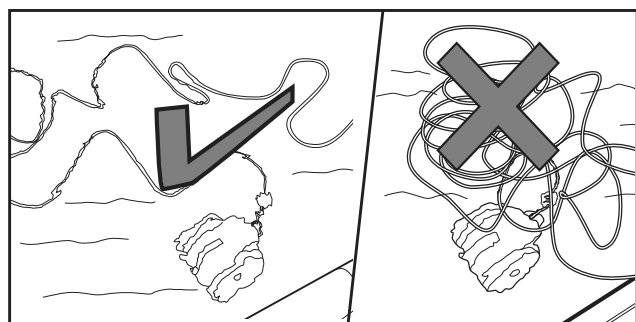


Figure 5. Étendre le câble de flottaison à la surface de la piscine

### 4.2 Fonctionnement du robot nettoyeur

1. Pour démarrer le robot nettoyeur Polaris 9100 Sport, appuyer sur le bouton ON/OFF (marche/arrêt). Se référer à la Figure 6. Le voyant vert s'allume et le robot nettoyeur démarre après quelques secondes.

**REMARQUE** Le robot nettoyeur nettoiera le fond et la partie inférieure de la paroi de la piscine. Le nettoyeur n'atteindra pas la ligne de flottaison.

2. Afin d'arrêter le robot pendant le cycle de nettoyage, appuyer sur le bouton ON/OFF (marche/arrêt) et s'assurer que le voyant vert s'éteint. Se référer à la Figure 6.

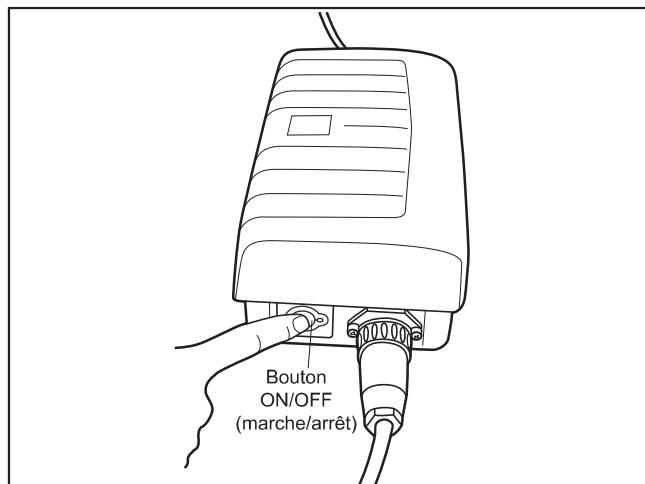


Figure 6. Démarrer le robot nettoyeur

3. À la fin du cycle, une période de 15 minutes de refroidissement du nettoyeur est requise pour éviter d'endommager les joints. Durant cette période, le voyant vert est allumé, indiquant que le nettoyeur doit rester dans l'eau.
4. Une fois la période de refroidissement terminée, le voyant vert s'éteint. L'appareil peut être retiré de la piscine.

**REMARQUE** Le Polaris 9100 Sport comporte une fonctionnalité de sécurité qui arrête automatiquement le nettoyeur s'il est sous tension (ON), lorsqu'il n'est pas immergé dans l'eau. Pour les piscines avec une zone de détente, cette fonctionnalité de sécurité permet au nettoyeur de reculer et de retourner dans la piscine.

### 4.3 Retrait du nettoyeur de la piscine

1. Une fois le cycle de nettoyage terminé et la période de refroidissement de 15 minutes écoulée, tirer doucement sur le câble de flottaison vers le côté de la piscine (voir la Figure 7).

## ⚠ ATTENTION

Pour éviter d'endommager le robot nettoyeur, ne jamais le retirer de la piscine en utilisant le câble de flottaison. Toujours soulever le robot nettoyeur à l'aide de la poignée.

2. Soulever le Polaris 9100 Sport de la piscine à l'aide de la poignée. Vider le reste de l'eau du nettoyeur en maintenant le nettoyeur à la verticale. Se référer à la Figure 8.

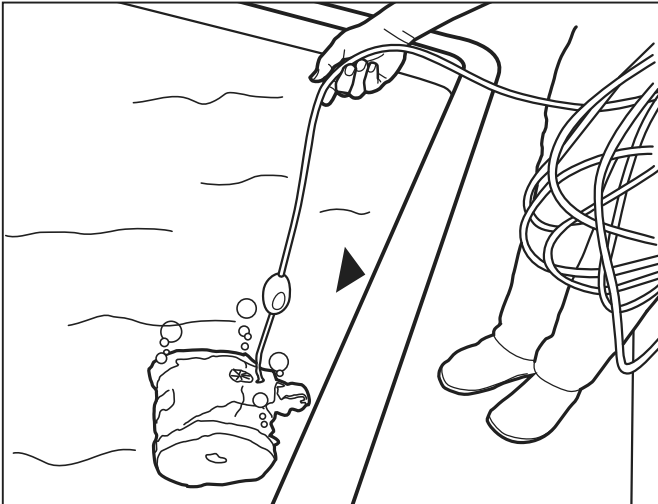


Figure 7. Retirer le nettoyeur de la piscine

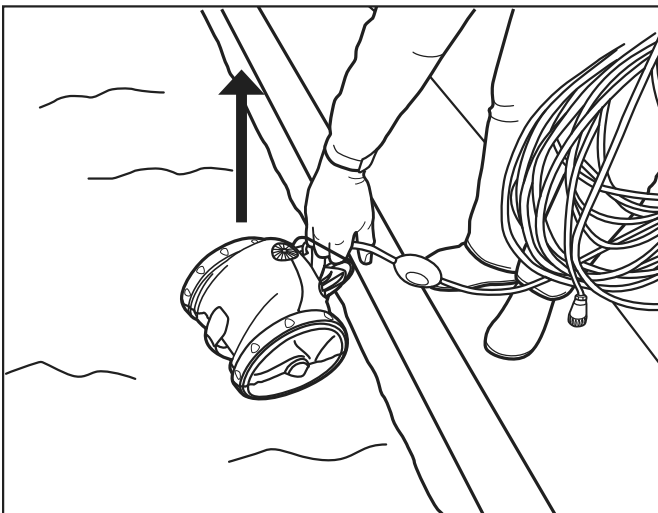


Figure 8. Maintenir le nettoyeur en position verticale pour faire écouler l'eau

3. Débrancher le câble du module de commande de la prise électrique.
4. Débrancher le câble du module de commande.
5. Enrouler le câble en commençant au nettoyeur et en allant vers le point de raccordement du module de commande. Retirer les enroulements et les torsions sur toute la longueur du câble.
6. Ranger le nettoyeur loin de la lumière solaire directe.

## IMPORTANT

- Utiliser le robot nettoyeur Polaris 9100 Sport aussi souvent qu'il est nécessaire pour garder la piscine propre.
- Nettoyer la cartouche filtrante après chaque cycle de nettoyage.
- Ne pas laisser le robot nettoyeur dans la piscine en permanence.
- À la fin de chaque cycle, retirer le robot nettoyeur de la piscine. Commencer au niveau de la tête du robot nettoyeur et démêler tous les nœuds sur le câble avant d'entreposer le robot nettoyeur.

## Section 5. Entretien et maintenance

### ⚠ AVERTISSEMENT

Pour éviter une décharge électrique et d'autres risques qui pourraient entraîner des blessures permanentes ou la mort, débrancher le robot nettoyeur de l'alimentation avant d'effectuer le nettoyage et la maintenance.

### 5.1 Nettoyage de la cartouche filtrante

Nettoyer la cartouche filtrante à la fin de chaque cycle.

1. S'assurer que le câble du module de commande a été débranché de la prise électrique.
2. Placer l'appareil sur ses roues.
3. Pousser sur le loquet du couvercle, puis soulever le couvercle. Se référer à la Figure 9.

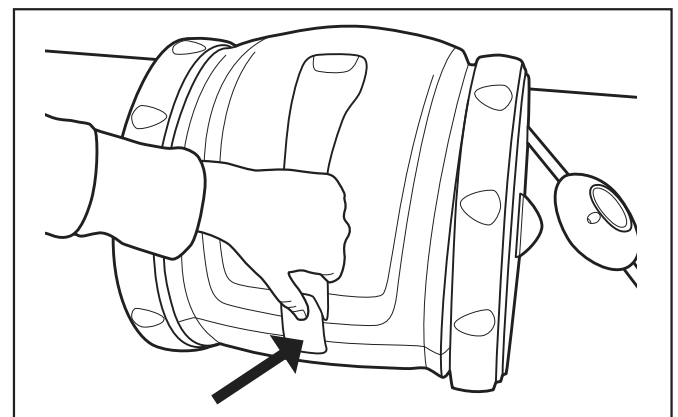


Figure 9. Ouvrir le couvercle du nettoyeur

- Retirer l'ensemble filtre du corps, tel qu'il est illustré à la Figure 10.

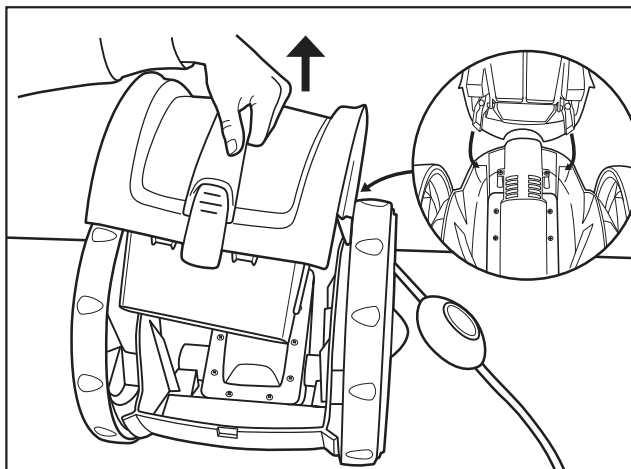


Figure 10. Retirer la cartouche filtrante/Ensemble couvercle

- Appuyer sur l'attache de la cartouche filtrante avec le doigt pour séparer cette dernière du couvercle, tel qu'il est illustré à la Figure 11.
- Laver la cartouche filtrante avec de l'eau propre d'un boyau d'arrosage.

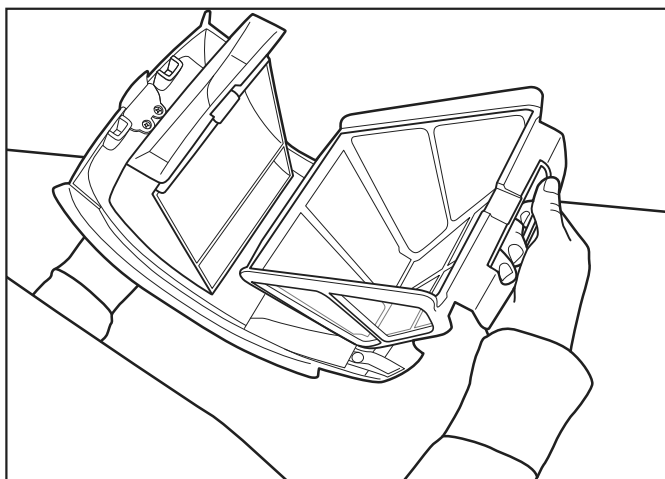


Figure 11. Retirer la cartouche filtrante du couvercle

## 5.2 Remplacement de la cartouche filtrante

- Positionner les crochets de la cartouche filtrante sur les goupilles de réception du couvercle, tel qu'il est illustré à la Figure 12.

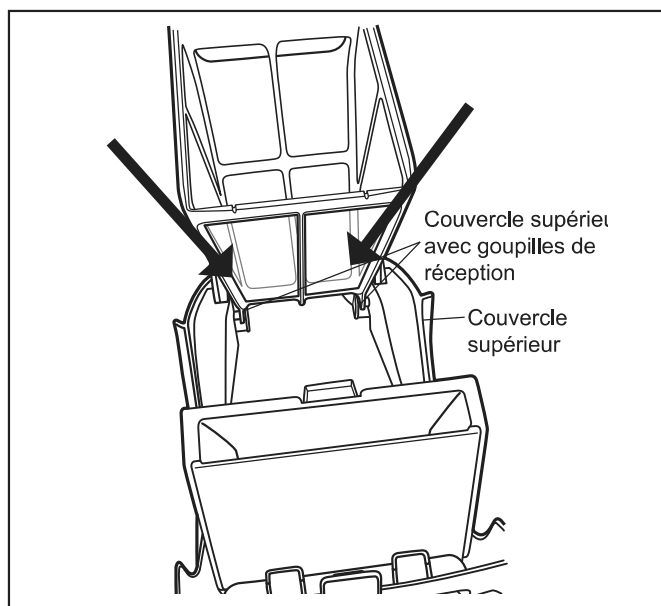


Figure 12. Engrener les crochets de la cartouche filtrante sur le couvercle

- Faire tourner la cartouche filtrante, puis la verrouiller en place à l'aide de l'attache avant. Se référer à la Figure 13. Lorsque la cartouche filtrante est correctement installée sur le couvercle, elle sera fixée solidement.
- Repérer les charnières du couvercle sous les pattes du corps, tel qu'il est illustré à la Figure 14.
- Abaisser le couvercle pour que le loquet verrouille le couvercle en place (voir la Figure 9).

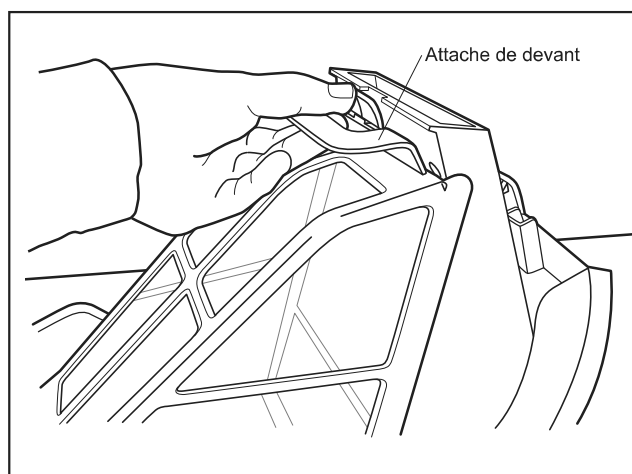


Figure 13. Positionner et verrouiller la cartouche filtrante



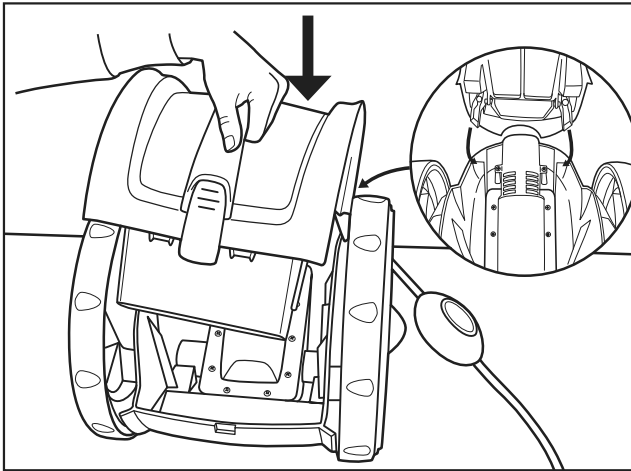


Figure 14. Remettre le couvercle

### 5.3 Nettoyage et entreposage du robot

Le robot doit être nettoyé régulièrement avec de l'eau propre légèrement savonneuse; ne pas utiliser de solvants, tels que le trichloroéthylène ou ses équivalents. Rincer le nettoyeur abondamment avec de l'eau propre. Ne pas laisser le nettoyeur sécher à la lumière solaire directe près de la piscine.

**REMARQUE** Le câble du nettoyeur doit être débranché du module de commande avant de retirer le nettoyeur de la piscine.

### 5.4 Remplacement des balais

Le nettoyeur est muni de balais en PVC et d'un indicateur d'usure. Pour maintenir la performance du nettoyeur, remplacer les balais dès que l'indicateur d'usure sera atteint.

1. Retourner le nettoyeur de manière à ce que vous ayez accès aux balais. Se référer à la Figure 15.
2. Pousser sur l'un des bras du balai pour retirer son arbre de la bague, tel qu'il est indiqué à la Figure 15.

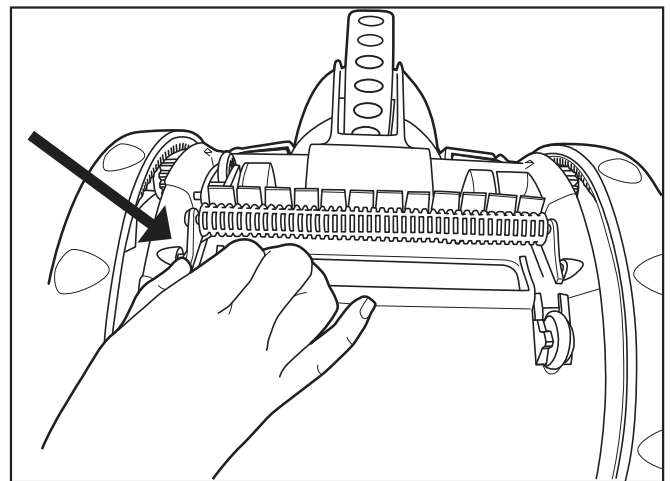


Figure 15. Pousser sur le bras du balai

3. Soulever le balai, puis le retirer du robot nettoyeur. Se référer à la Figure 16.
4. Installer l'arbre du nouveau balai sur la bague. Se référer à la Figure 16.
5. Installer le second arbre (de l'autre côté) du nouveau balai dans sa bague. Se référer à la Figure 16.

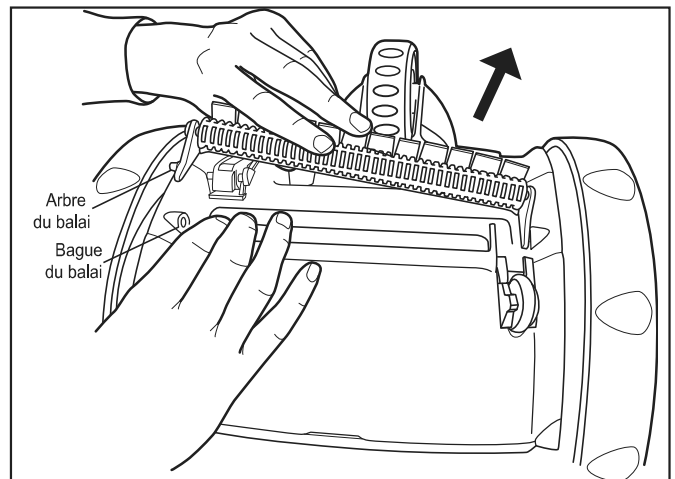


Figure 16. Retirer et remplacer le balai du robot nettoyeur

## 5.5 Remplacement des pneus du robot nettoyeur

1. Avec les doigts, tirer sur l'intérieur du vieux pneu pour retirer le rebord du pneu de la roue. Voir la Figure 17.
2. Retirer le vieux pneu, tel qu'il est illustré à la Figure 18.

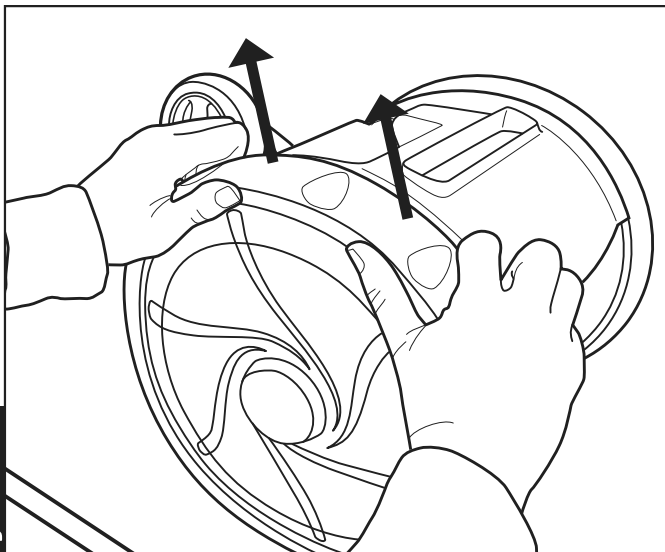


Figure 17. Pousser sur l'intérieur du vieux pneu

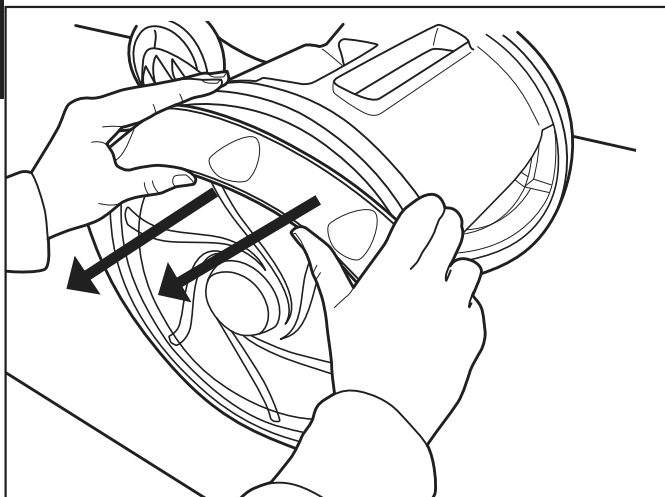


Figure 18. Retirer le vieux pneu du robot nettoyeur

3. Pour remplacer le pneu, positionner le nouveau pneu sur la roue en s'assurant de l'aligner de manière à ce que la bande de roulement soit sur le côté extérieur de la roue. Voir la figure 19.

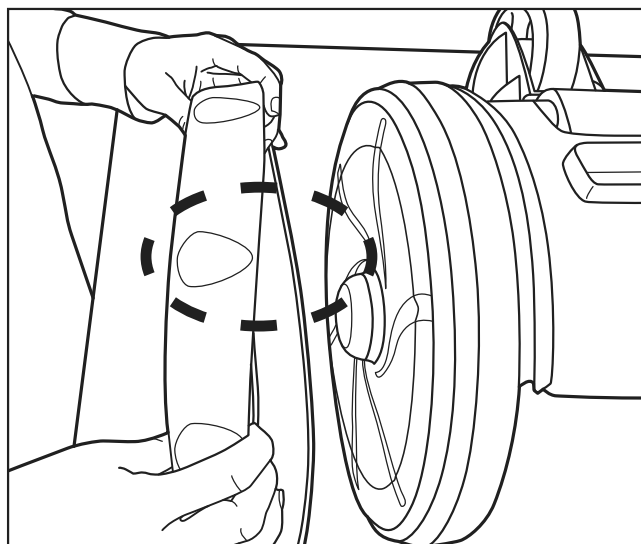


Figure 19. Alignement du pneu de remplacement

4. Pousser la bande du pneu sur la roue, puis ajuster le pneu sur la roue, tel qu'il est illustré à la Figure 20.

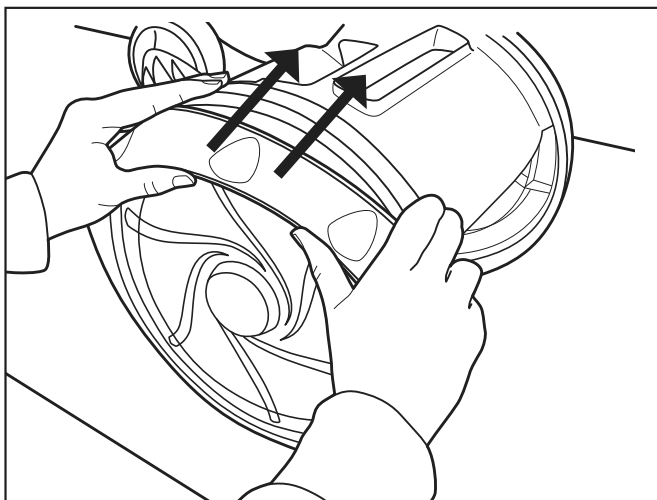


Figure 20. Pousser le pneu sur la roue

5. Continuer d'ajuster le pneu sur la roue. Se référer à la Figure 21.

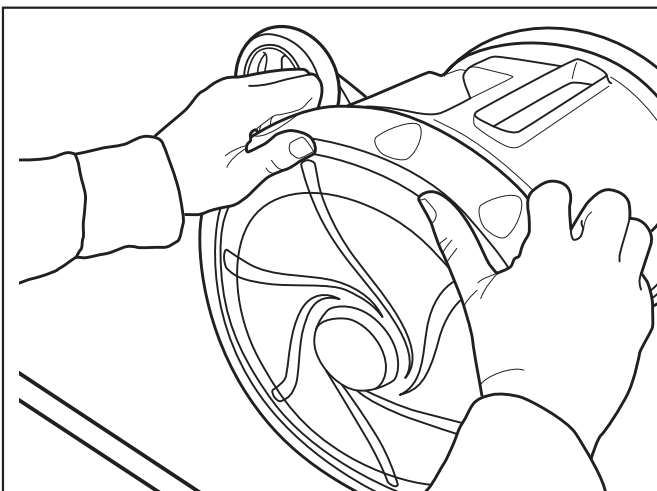


Figure 21. Remettre le pneu sur la roue



## Section 6. Dépannage

### ⚠ AVERTISSEMENT

Afin d'éviter le risque de décharge électrique, ce qui pourrait entraîner des blessures graves ou la mort, NE PAS ouvrir le module de commande

Symptôme	Cause	Solution
Le robot ne se déplace pas et le voyant vert ne s'allume pas.	L'appareil est à la position OFF (arrêt).	S'assurer que le bouton ON/OFF (marche/arrêt) est à la position ON (marche)
	Le nettoyeur n'est pas alimenté en électricité.	<ol style="list-style-type: none"> <li>1. La prise de courant à laquelle le module de commande est branché ne fournit aucune alimentation électrique.</li> <li>2. Brancher le cordon d'alimentation principale sur une autre prise de courant qui est alimentée et s'assurer que le voyant vert clignote à une reprise.</li> <li>3. Si le problème persiste, communiquer avec un représentant de service local de Polaris.</li> </ol>
Le voyant vert s'allume après avoir appuyé sur le bouton ON/OFF (marche/arrêt).	Le module de commande doit être réinitialisé/n'est pas correctement raccordé.	<p>Immersion du nettoyeur selon la procédure à la Section 4.1 « Immersion du nettoyeur ».</p> <ol style="list-style-type: none"> <li>1. Pour réinitialiser l'alimentation : <ol style="list-style-type: none"> <li>a. Débrancher le cordon d'alimentation de la prise de courant.</li> <li>b. Débrancher le connecteur du câble flottant du module de commande, puis le rebrancher en suivant les procédures de la Section 3.3, « Raccordement électrique ».</li> <li>c. Brancher le cordon principal dans la prise électrique, puis vérifier si le voyant vert s'allume.</li> <li>d. Appuyer sur le bouton ON/OFF (marche/arrêt). Si le problème persiste, communiquer avec votre représentant de service local de Polaris.</li> </ol> </li> </ol>
Le nettoyeur ne ramasse pas les débris.	La cartouche filtrante est pleine ou sale.	Nettoyer la cartouche filtrante en suivant la procédure de la Section 5.1, « Nettoyage de la cartouche filtrante ».
Le nettoyeur ne tient pas fermement en position au fond de la piscine.	Il y a de l'air dans le boîtier de l'appareil.	Immersion du nettoyeur selon la procédure à la Section 4.1 « Immersion du nettoyeur ». Si le problème persiste, dévisser le couvercle du nettoyeur et retirer le flotteur en polystyrène à l'intérieur de la plaque du couvercle. Replacer le couvercle et immerger de nouveau le nettoyeur
La capacité du nettoyeur à monter sur les parois de la piscine est réduite REMARQUE : Le nettoyeur n'est pas conçu pour monter jusqu'à la ligne de flottaison.	La cartouche filtrante est pleine ou sale.	Nettoyer la cartouche filtrante en suivant la procédure de la Section 5.1, « Nettoyage de la cartouche filtrante ».
	Les pneus sont usés.	Remplacer les pneus selon la procédure décrite à la Section 5.5, « Remplacement des pneus sur le nettoyeur ».
	Les parois de la piscine sont glissantes ou gluantes. Même si l'eau semble claire, des algues microscopiques, invisibles à l'œil nu, sont présentes dans la piscine. Les parois de la piscine deviennent alors glissantes et empêchent le nettoyeur de grimper.	S'assurer que les produits chimiques pour piscine soient équilibrés. En présence d'un déséquilibre chimique, communiquer avec un représentant de service local de Polaris.

Symptôme	Cause	Solution
Tourner à droite et/ou faire une rotation est inefficace.	Il y a des débris dans l'étrier du pivot.	Enlever les débris de l'étrier et vérifier qu'il pivote librement.
	Le rouleau est usé.	Si le rouleau est usé, le remplacer s'il y a lieu.
	Le nettoyeur est trop léger.	Retirer le flotteur en polystyrène. Dévisser la plaque du couvercle du nettoyeur et retirer le flotteur en polystyrène à l'intérieur de la plaque du couvercle. Replacer le couvercle et immerger à nouveau le nettoyeur.
La rotation vers la droite est inefficace.	Le nettoyeur est trop lourd.	Communiquer avec le revendeur pour obtenir un flotteur en polystyrène à installer sous la plaque du couvercle.

## Section 7. Vue éclatée et liste des pièces de rechange du Polaris 9100 Sport

La liste complète des pièces de rechange et la vue éclatée sont disponibles sur le site internet de Polaris au [www.polarispool.com](http://www.polarispool.com).

## REMARQUES



EST CONFORME À LA NORME UL 1081  
Certifié CSA E63055-2-41

**Zodiac Pool Systems, Inc.**

2620 Commerce Way, Vista, CA 92081

1.800.822.7933 | [www.ZodiacPoolSystems.com](http://www.ZodiacPoolSystems.com)

ZODIAC® est une marque de commerce déposée de Zodiac International, S.A.S.U., utilisée sous licence.

Toutes les autres marques de commerce mentionnées sont la propriété de leurs propriétaires respectifs.

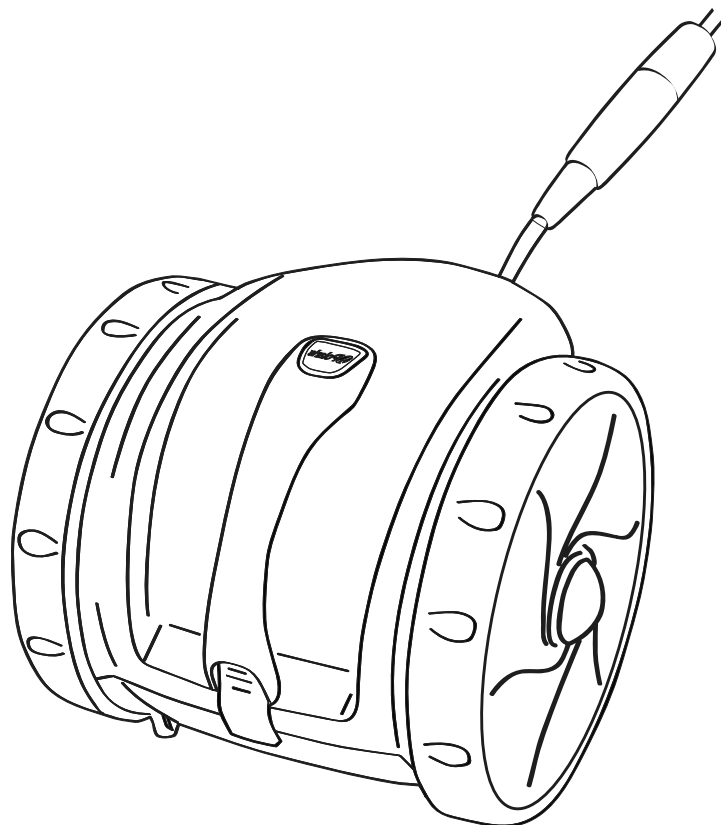
©2011 Zodiac Pool Systems, Inc. H0351305 Rev - 1111





# Polaris®

# 9100 SPORT



## MANUAL DEL PROPIETARIO

ESPAÑOL

### **⚠ ADVERTENCIA**

**PARA SU SEGURIDAD** - Para cualquier cosa con excepción de la limpieza rutinaria y el mantenimiento descritos en este manual, este producto debe ser atendido por un contratista autorizado y calificado en equipos de piscina bajo la jurisdicción en la que el producto se instala y en donde requisitos de estado y locales existen. En el caso de que no exista ningún requisito de estado o local, el responsable debe ser un técnico profesional con experiencia suficiente en la instalación de piscinas y el mantenimiento de equipos, para que todas las instrucciones en este manual puedan ser seguidas exactamente. La instalación o la operación inapropiadas anularán la garantía.

GRACIAS POR LA COMPRA DEL ROBOT LIMPIADOR POLARIS® 9100 SPORT

EL ROBOT LIMPIADOR POLARIS 9100 SPORT HA SIDO DISEÑADO Y FABRICADO PARA SER DE FÁCIL INSTALACIÓN Y PARA PROPORCIONAR UN FUNCIONAMIENTO DE BAJO MANTENIMIENTO. Haga lo siguiente antes de instalar por primera vez su Polaris 9100 Sport.

- 1) Complete y envíe la tarjeta de garantía.
- 2) Registre la información de su compra en los espacios siguientes.
- 3) Anexe la factura (o una copia) a esta página.

Tomar estas medidas ayudará a asegurar el servicio de garantía del sistema, si se requiere. Si se requiere servicio, póngase en contacto con su concesionario original. Si el concesionario original realiza el servicio de garantía, por favor visite [www.polarispool.com](http://www.polarispool.com) para localizar una empresa de servicios independiente cercana a usted. Si no puede localizar una empresa de servicios, por favor llame a nuestro Departamento de Soporte Técnico al 800-822-7933.

REGISTRE LOS DATOS DE SU LIMPIADOR POLARIS 9100 SPORT AQUÍ:

Fecha de compra \_\_\_\_\_ Comprado de \_\_\_\_\_ Número Serial: \_\_\_\_\_  
(En la placa situada en la parte inferior de la unidad de control)

Ciudad \_\_\_\_\_ Estado \_\_\_\_\_ Código postal \_\_\_\_\_

## Índice

<b>Sección 1. Instrucciones importantes de seguridad .....</b>	<b>36</b>
<b>Sección 2. Especificaciones del limpiador... 38</b>	
2.1 Especificaciones generales .....	38
<b>Sección 3. Montaje y uso inicial .....</b>	<b>38</b>
3.1 Desembalaje .....	38
3.3 Conexión eléctrica.....	39
<b>Sección 4. Operación.....</b>	<b>39</b>
4.1 Inmersión del limpiador .....	39
4.2 Operación del limpiador .....	40
4.3 Retirando el limpiador de la piscina .....	40
<b>Sección 5. Limpieza y mantenimiento.....</b>	<b>41</b>
5.1 Limpieza del cartucho del filtro.....	41
5.2 Reemplazo del cartucho del filtro .....	42
5.4 Reemplazo de los cepillos .....	42
5.5 Reemplazo de los neumáticos del limpiador....	43
<b>Sección 6. Diagnóstico y solución de problemas .....</b>	<b>45</b>
<b>Sección 7. Lista de piezas de repuesto y despiece del Polaris 9100 Sport .....</b>	<b>46</b>

## Sección 1. Instrucciones importantes de seguridad

Felicitaciones por la compra del robot limpiador Polaris 9100 Sport. Por favor tómese un momento para leer todo el manual antes de instalar su nuevo robot limpiador. Su robot limpiador debe ser instalado y operado tal como se especifica.

### LEA Y SIGA ESTAS INSTRUCCIONES

#### **⚠ ADVERTENCIA**

**Si no se cumplen las siguientes advertencias, existe riesgo de que las personas sufran lesiones permanentes, se electrocuten o se ahoguen.**

#### **PREVENCIÓN DE DESCARGAS ELÉCTRICAS**

Para reducir el riesgo de electrocución:

- La fuente del suministro de energía debe conectarse únicamente a un receptáculo protegido por un GFCI (interruptor de circuito de descarga a tierra). Dicho receptáculo de GFCI debe ser proporcionado por un instalador calificado y se debe probar de manera rutinaria. Para probar el GFCI, presione el botón de prueba. El GFCI debe interrumpir la energía. Presione el botón de reinicio. Se debe restablecer la energía. Si el GFCI no funciona de esta forma, significa que está defectuoso. Si el GFCI interrumpe la energía a la bomba sin que se presione el botón de prueba, quiere decir que fluye corriente a tierra, lo que indica la posibilidad de una descarga eléctrica. No utilice este producto. Desconecte el limpiador y solicite a un representante de servicio calificado que solucione el problema antes de utilizarlo.
- Según el Código Eléctrico Nacional (NEC®) de los Estados Unidos, mantenga la unidad de control por lo menos a un metro y medio (1,52 m) del borde del agua (piscina / spa). En Canadá, el Código Eléctrico Canadiense (CEC®) requiere que se mantenga una distancia mínima de 3 metros (10 pies.) entre el borde de la piscina y la unidad de control. Nunca sumerja la unidad de control.
- No entre en la piscina mientras el Polaris 9100 Sport esté en el agua.
- No entierre el cable. Ubique el cable de manera tal que se prevengan los daños ocasionados por cortadoras de césped, podadoras y otros equipos.
- Para reducir el riesgo de descarga eléctrica, no utilice el robot limpiador Polaris 9100 Sport o la unidad de control si el cordón está desgastado o dañado. Comuníquese con Zodiac Pool Systems, Inc. inmediatamente para reemplazar el cable.
- Doble aislamiento. Para una protección continua contra las descargas eléctricas, utilice sólo piezas de repuesto idénticas cuando realice el servicio. No intente reparar el robot limpiador Polaris 9100 Sport, la unidad de control, el cable de alimentación, o el cable flotante.
- **NUNCA ABRA LA UNIDAD DE CONTROL.**
- No utilice un cable de extensión para conectar la fuente del suministro de energía. Proporcione un tomacorriente ubicado en el lugar adecuado. La unidad de control del suministro de energía debe colocarse cerca de la caja del tomacorriente.

#### **EVITAR LESIONES A LOS NIÑOS Y EL AHOGAMIENTO**

- Para reducir el riesgo de lesión, no permita que los niños operen este artefacto.
- No permita que nadie, especialmente niños pequeños, se sienten, se pare sobre, lean o se suba sobre ninguno de los equipos instalados como parte del sistema de operación de la piscina.



## ⚠ PRECAUCIÓN

**El incumplimiento de estas advertencias puede causar daños a los equipos de la piscina o lesiones personales.**

- El Polaris 9100 Sport debe ser instalado y operado tal como se especifica.
- Este producto está diseñado para su uso con piscinas instaladas permanentemente. No utilice en piscinas portátiles. Las piscinas permanentes están construidas dentro o sobre el suelo o en un edificio de tal manera que no se pueden desmontar para su almacenamiento. Las piscinas portátiles están construidas de manera que pueden ser fácilmente desmontadas para su almacenamiento y volver a montarse en su estado original.
- Apague el Polaris 9100 Sport antes de retirarlo del agua y no lo haga funcionar fuera del agua.
- No retire el limpiador de la piscina durante 15 minutos después de que el ciclo de limpieza se haya completado.
- Limpie la caja del filtro en el Polaris 9100 Sport después de cada uso.
- No use el producto en su piscina si la temperatura del agua está por encima de 95° F (35° C) o por debajo de 55° F (13° C).

## ⚠ PRECAUCIÓN

### USO DEL ROBOT LIMPIADOR POLARIS 9100 Sport EN UNA PISCINA CON REVESTIMIENTO DE VINILO

Ciertos diseños de revestimiento de vinilo son particularmente susceptibles al desgaste rápido de la superficie o la desaparición del diseño, que es provocado por los objetos que entran en contacto con la superficie de vinilo como cepillos, juguetes, flotadores, fuentes, dosificadores de cloro y limpiadores automáticos. Algunos diseños de revestimiento de vinilo se pueden rayar o desgastar simplemente por la fricción de la superficie con un cepillo para piscinas. También se puede salir la pintura del diseño durante el proceso de instalación o cuando entra en contacto con objetos de la piscina. Zodiac Pool Systems, Inc. no es responsable de desgastes, abrasiones ni marcas en el revestimiento de vinilo, y la garantía limitada no los cubre.

**GUARDE ESTAS INSTRUCCIONES**

## Sección 2. Especificaciones del limpiador

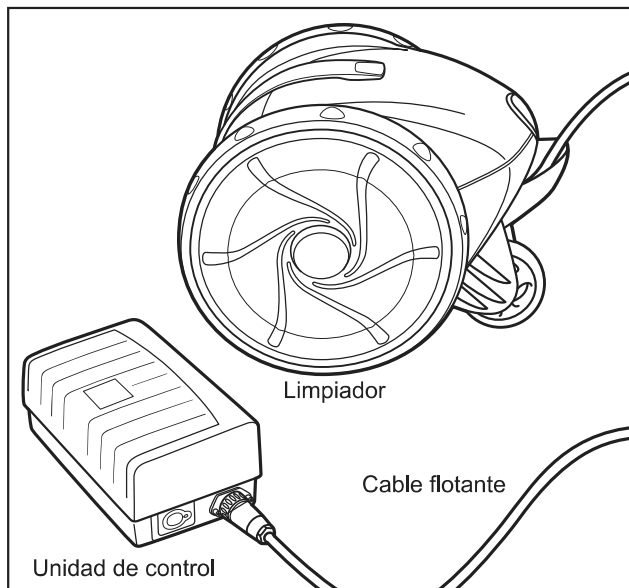
### 2.1 Especificaciones generales

Las especificaciones generales para el Polaris 9100 Sport son las siguientes:

Unidad de control de tensión:	100-240 VCA, 50/60 Hz
Tensión de alimentación del Polaris 9100 Sport:	30 VCC, máx.
Carga instalada:	70 W máx.
Longitud del cable:	50 pies 15 m
Peso de limpiador:	12 lbs 5.75 kg
Eficiencia de filtrado:	Filtración fina
Longitud del ciclo:	2 horas aprox.

El Polaris 9100 Sport es un producto de doble aislamiento. Un aparato eléctrico de doble aislamiento es uno que ha sido diseñado de tal manera que no requiere una conexión a tierra de seguridad. El requisito básico para doble aislamiento es que ninguna falla pueda exponer tensiones peligrosas que puedan provocar una descarga eléctrica, y esto se logra sin depender de una caja metálica conectada a tierra (masa). Esto se logra al tener dos (2) capas de material aislante alrededor de las piezas en vivo o mediante el uso de un aislamiento reforzado.

Por lo tanto, los dispositivos contruidos con doble aislamiento, tales como el Polaris 9100 Sport, no utilizan un cable con conexión a tierra (tres puntas).



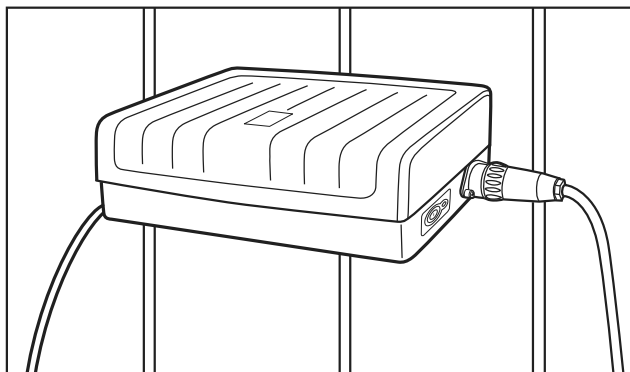
**Figura 1. Componentes del Polaris 9100 Sport**

Para desempacar el Polaris 9100 Sport y sus componentes:

1. Abra las solapas superiores de la caja.
2. Extraiga la unidad de control de la caja.
3. Quite el cable flotante y luego el limpiador de la caja.

### 3.2 Colocación de la unidad de control en la pared

1. Coloque la plantilla, provista con la unidad, en la pared en la que desea colocar la unidad de control.
2. Con una mecha de 1/8", taladre tres (3) agujeros. Atornille los tres (3) tornillos de 1/4", provistos con la unidad, en los agujeros y coloque la unidad de control sobre los tornillos. Consulte la Figura 2.



**Figura 2. Colocación de la unidad de control en la pared**

## Sección 3. Montaje y uso inicial

### 3.1 Desembalaje

El paquete debe contener los siguientes artículos: (Consulte la Figura 1):

- Un robot limpiador Polaris 9100 Sport
- Unidad de control
- Artículos necesarios y plantillas
- Manual de instrucciones del propietario

Verifique que la unidad no haya sido dañada durante el envío. Si detecta daños, comuníquese con Zodiac Pool Systems, Inc. al 800-822-7933 antes de utilizar su robot limpiador Polaris 9100 Sport.

### 3.3 Conexión eléctrica

#### ⚠ ADVERTENCIA

El incumplimiento de estas advertencias puede causar lesiones permanentes, descargas eléctricas o ahogamientos.

#### PREVENCIÓN DE DESCARGAS ELÉCTRICAS

- Mantenga la unidad de control a por lo menos cinco (5) metros de la orilla de la piscina (Canadá 3 m (10 pies) por requisitos CEC®). Nunca sumerja en el agua la unidad de control.
- Sólo conecte la unidad de control a un tomacorriente protegido por un GFCI. Contacte a un electricista autorizado si usted mismo no puede asegurarse de que haya un GFCI de protección.
- No utilice un cable de extensión para conectar la unidad de control.
- No permita que ninguna persona nade en la piscina mientras el robot limpiador Polaris 9100 Sport esté en la piscina.

Para su seguridad y para obtener el mejor rendimiento posible de su Polaris 9100 Sport, conecte el cable flotante de la limpiadora a la unidad de control de la limpiadora girando el conector roscado hasta que encaje perfectamente. No apriete demasiado. Consulte la Figura 3.

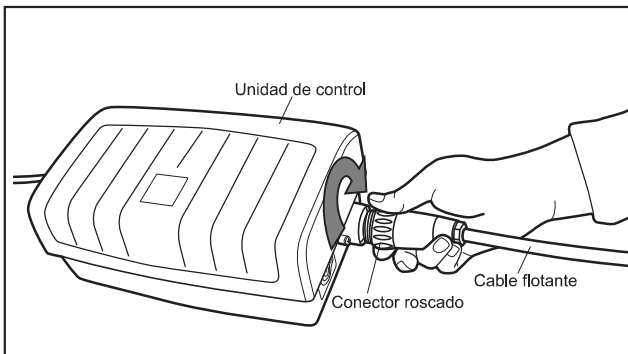


Figura 3. Conexión eléctrica

La luz del indicador verde de la unidad de control se iluminará durante un corto período de tiempo para indicar que el ciclo está listo para comenzar. No trate de iniciar un ciclo hasta que el indicador se ilumine.

#### IMPORTANTE

La unidad de control del Polaris 9100 Sport está equipada con una función de apagado automático para evitar el sobrecalentamiento si se opera con luz solar directa durante un período de tiempo prolongado.

#### ⚠ ADVERTENCIA

La unidad de control del Polaris 9100 Sport es resistente al agua, no impermeable. Para el riesgo de descarga eléctrica, que podría resultar en lesiones graves o la muerte, nunca sumerja la unidad de control.

## Sección 4. Operación

### 4.1 Inmersión del limpiador

1. Mientras toma el limpiador por el mango, sumérjalo en la piscina y elimine el aire atrapado en el interior, manteniendo la unidad en forma vertical. Asegúrese de que el limpiador se hunda hasta el fondo de la piscina. Consulte la Figura 4.

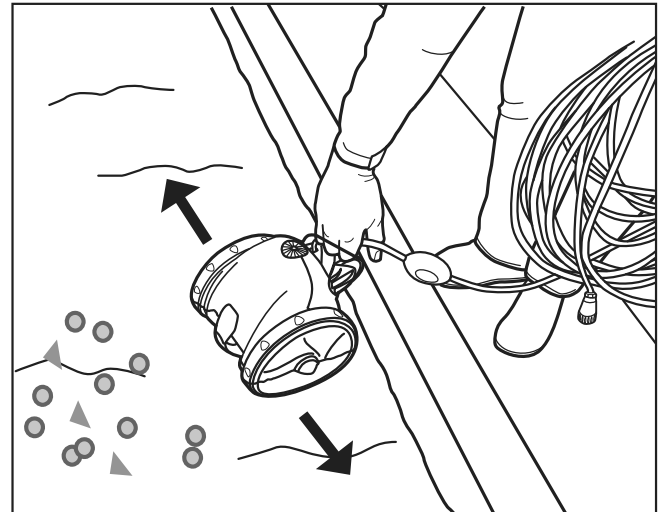


Figura 4. Sumerja el limpiador verticalmente

2. Distribuya el cable flotante sobre la piscina, asegurándose de que no haya torceduras o dobleces en el cable. Consulte la Figura 5.

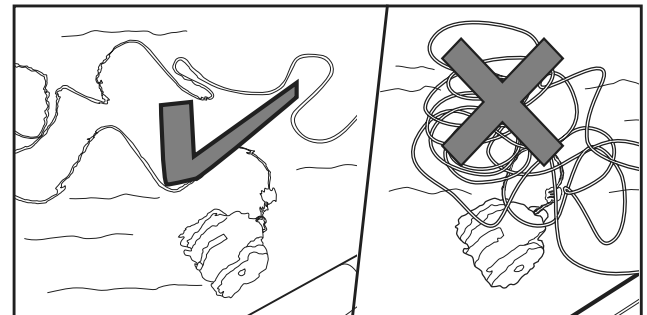


Figura 5. Distribuya el cable flotante sobre la piscina

## 4.2 Operación del limpiador

1. Para arrancar el robot limpiador Polaris 9100 Sport, pulse el botón ON/OFF (encendido/apagado). Consulte la Figura 6. La luz verde se enciende y el limpiador se pondrá en marcha después de sólo unos pocos segundos.

**NOTA** El limpiador limpiará el piso y la parte baja de la pared de la piscina. El limpiador no llegará a la línea de agua.

2. Si desea detener el limpiador durante el ciclo de limpieza, pulse el botón ON/OFF (encendido/apagado) y asegúrese de que la luz LED verde se apague. Consulte la Figura 6.

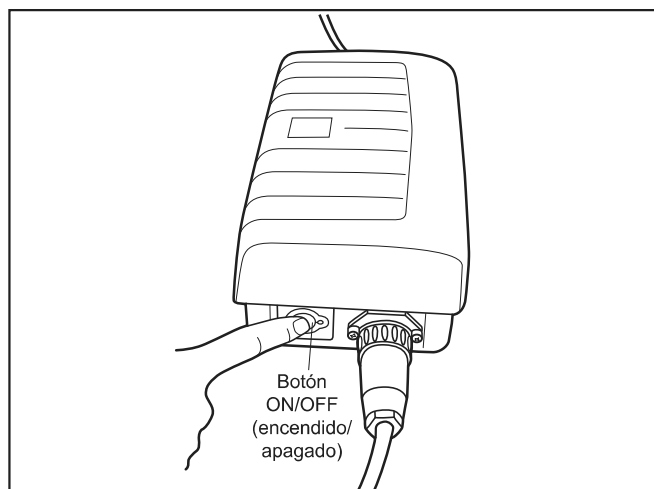


Figura 6. Arranque el limpiador

3. Al final del ciclo, el limpiador necesita de un periodo de enfriamiento de 15 minutos para evitar daños en los sellos. Durante este período, el indicador luminoso verde se enciende indicando que el limpiador debe permanecer en el agua.
4. Una vez que el período de enfriamiento se ha completado, el indicador verde se apaga. La unidad puede ser retirada de la piscina.

**NOTA** El Polaris 9100 Sport incluye una función de seguridad que lo detiene automáticamente si está encendido cuando no está sumergido en el agua. Para las piscinas equipadas con una zona de playa de poca profundidad, esta función de seguridad permite que el limpiador se mueva hacia atrás y vuelva a la piscina.

## 4.3 Retirando el limpiador de la piscina

1. Una vez que el ciclo de limpieza se ha completado y el período de 15 minutos de enfriamiento ha transcurrido, tire suavemente del cable flotante hacia el lado de la piscina (Consulte la Figura 7).

### ⚠ PRECAUCIÓN

Para evitar daños en el limpiado, nunca lo levante de la piscina utilizando el cable. Levante siempre el limpiador por el mango.

2. Levante el Polaris 9100 Sport fuera de la piscina con el mango. Drene el agua que quede en el filtro manteniendo la máquina en posición vertical. Consulte la figura 8.

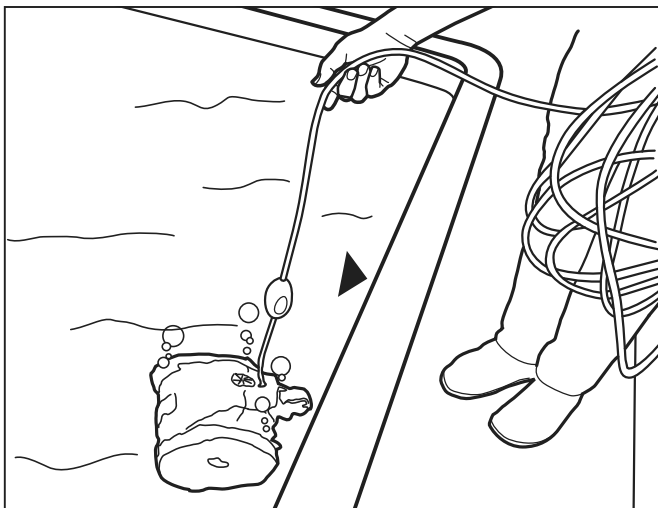


Figura 7. Retire el limpiador de la piscina

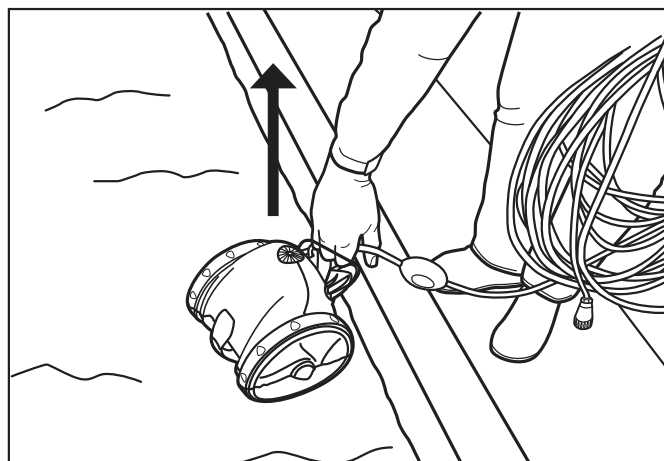


Figura 8. Mantenga el limpiador vertical para drenar el agua

3. Desconecte el cable de la unidad de control del tomacorriente.
4. Desconecte el cable de la unidad de control.

5. Enrolle el cable desde el limpiador y avance hacia el punto de conexión en la unidad de control. Estírelo donde esté enrollado o enroscado en toda la longitud del cable.
6. Guarde el limpiador en un lugar donde no esté expuesto a la luz solar directa.

### IMPORTANTE

- Utilice el robot limpiador Polaris 9100 Sport con la frecuencia necesaria para mantener su piscina limpia.
- Limpie el cartucho del filtro después de cada ciclo de limpieza.
- No deje la aspiradora en la piscina de forma permanente.
- Al final de cada ciclo, retire el limpiador de la piscina. Comience en el limpiador y desenrede los nudos del cable antes de guardarlo.

## Sección 5. Limpieza y mantenimiento

### ⚠ ADVERTENCIA

Para evitar descargas eléctricas y otros peligros que puedan causar lesiones permanentes o la muerte, desconecte (desenchufe) el filtro de la toma eléctrica antes de realizar cualquier operación de limpieza y mantenimiento.

#### 5.1 Limpieza del cartucho del filtro

El cartucho del filtro debe limpiarse al final de cada ciclo.

1. Asegúrese de que el cable de la unidad de control esté desconectado del tomacorriente.
2. Coloque la unidad sobre sus ruedas.
3. Pulse el cierre de la tapa y levántela. Consulte la Figura 9.

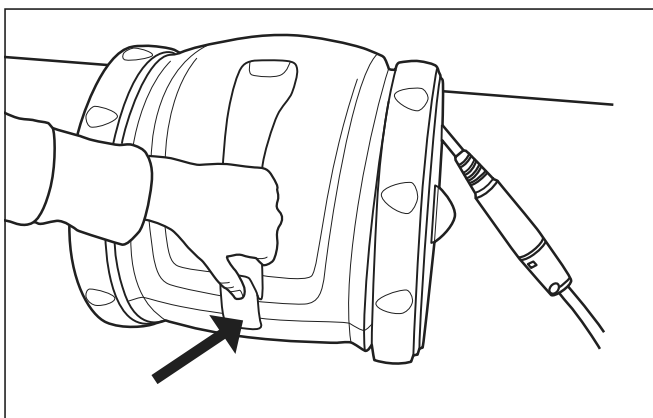


Figura 9. Abra la cubierta del limpiador

4. Retire el montaje del filtro del cuerpo, como se muestra en la Figura 10.

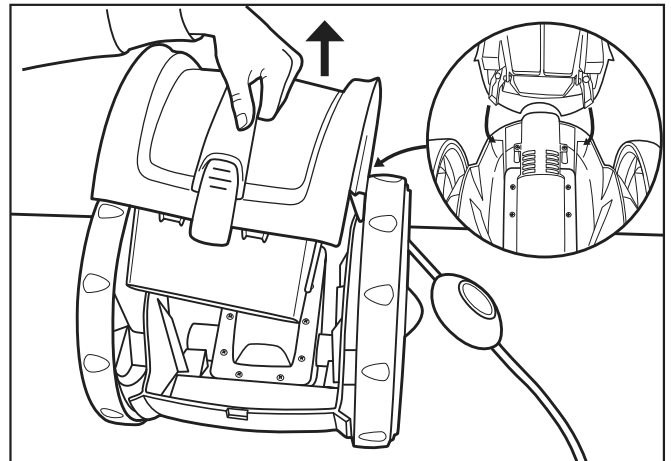


Figura 10. Quite la cubierta del cartucho del filtro

5. Pulse la grapa del contenedor con el dedo para separar el cartucho del filtro de la cubierta superior, como se muestra en la Figura 11.
6. Lave el cartucho del filtro con agua limpia con una manguera.

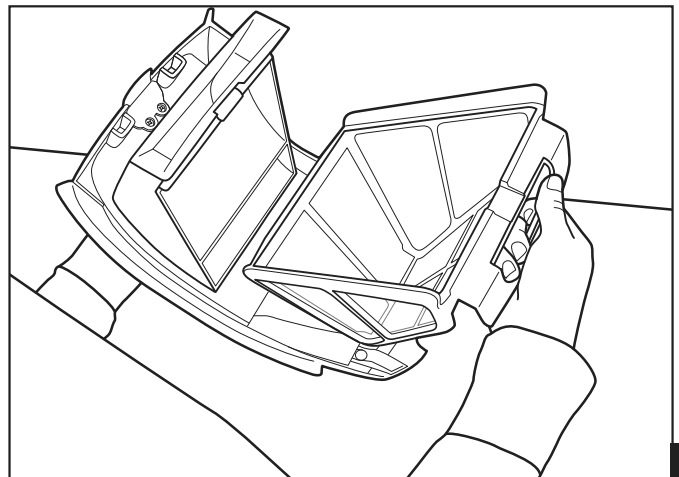


Figura 11. Retire el recipiente del filtro de la cubierta



## 5.2 Reemplazo del cartucho del filtro

1. Posicione los ganchos de la caja del filtro en los pines receptores de la cubierta superior, como se muestra en la Figura 12.

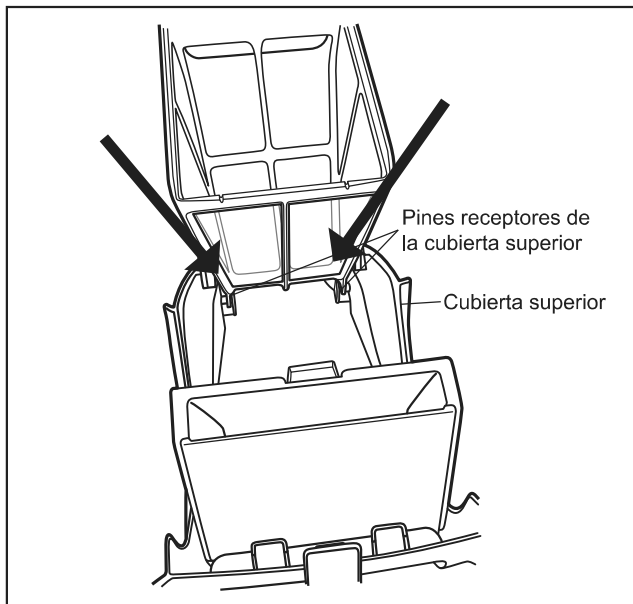


Figura 12. Enganche a los ganchos el cartucho del filtro en la cubierta superior

2. Gire el cartucho del filtro y bloquéelo en su lugar con la grapa principal. Consulte la Figura 13. Cuando el cartucho del filtro está instalado correctamente en la cubierta superior, estará agarrado firmemente.
3. Localice las bisagras de la tapa superior del cuerpo debajo de los hombros, como se muestra en la Figura 14.
4. Baje la tapa y permita que el cierre de la tapa bloquee la tapa en su lugar (Consulte la Figura 9).

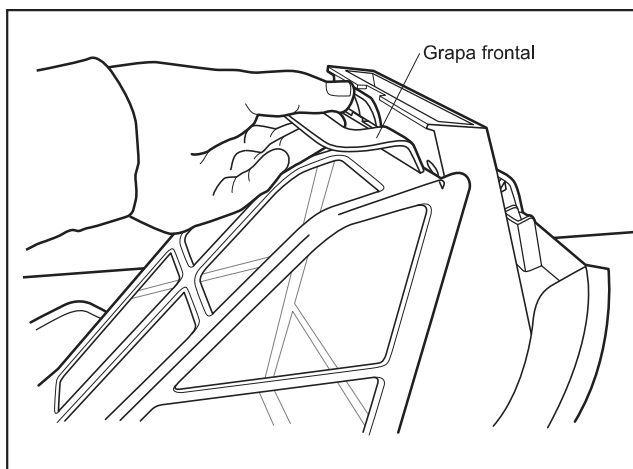


Figura 13. Coloque y el asegure el cartucho del filtro en su lugar

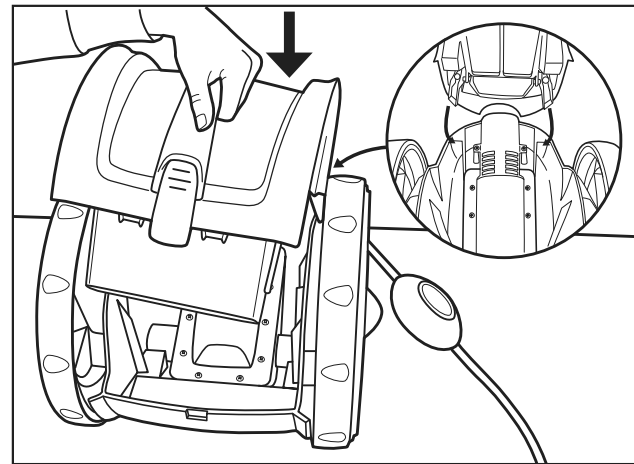


Figura 14. Vuelva a colocar la cubierta

## 5.3 Limpieza y almacenaje del limpiador

El robot limpiador debe limpiarse regularmente con agua limpia ligeramente jabonosa, no se deberá utilizar disolventes como el tricloroetileno o sus equivalentes. Enjuague el limpiador con abundante agua limpia. No deje que el limpiador se seque a la luz solar directa cerca de la piscina.

**NOTA:** Se debe desconectar el cable de la unidad de control antes de retirar el limpiador de la piscina.

## 5.4 Reemplazo de los cepillos

El limpiador está equipado con un cepillo de PVC con un indicador de desgaste. Para mantener óptimo el rendimiento del limpiador, tendrá que reemplazar los cepillos, cuando el indicador de desgaste lo indique.

1. Coloque el limpiador en posición invertida para que pueda acceder el cepillo. Consulte la Figura 15.
2. Presione en uno de los brazos del cepillo para retirar su eje del cojinete, como se muestra en la Figura 15.

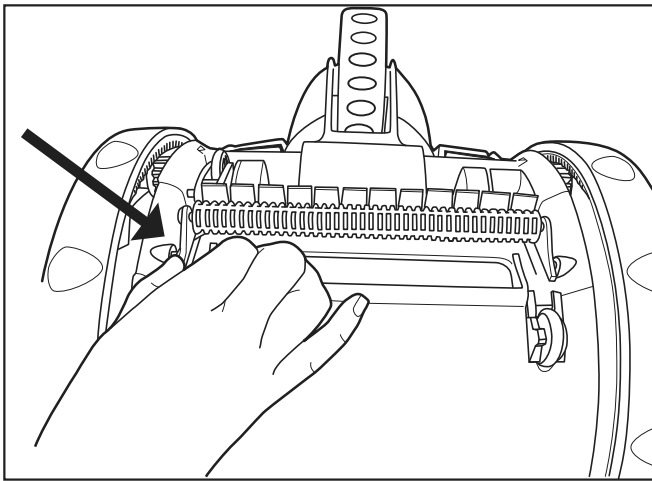


Figura 15. Empuje el brazo del cepillo

3. Levante el cepillo y luego retírelo de la aspiradora. Consulte la Figura 16.
4. Instale el eje del nuevo cepillo en su cojinete. Consulte la Figura 16.
5. Instale en su cojinete el segundo eje del nuevo cepillo (en el otro lado). Consulte la Figura 16.

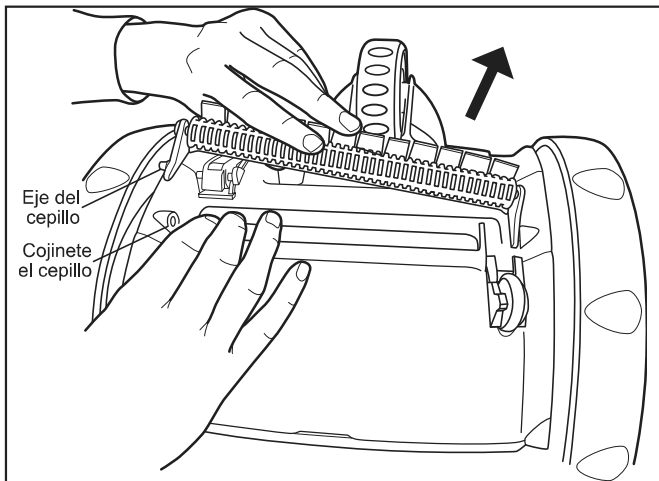


Figura 16. Quitar y reemplazar el cepillo del limpiador

## 5.5 Reemplazo de los neumáticos del limpiador

1. Con los dedos, hale el interior de la llanta vieja para retirar el borde del neumático de la rueda. Consulte la Figura 17.
2. Quite el neumático viejo, como se muestra en la Figura 18.

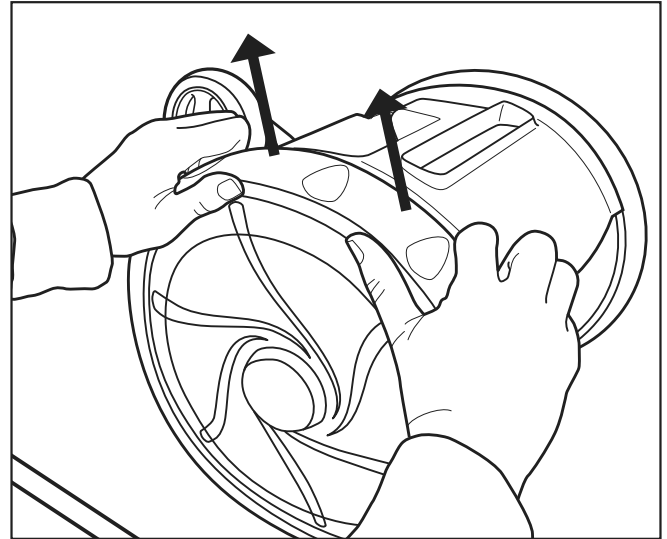


Figura 17. Hale el interior del neumático viejo

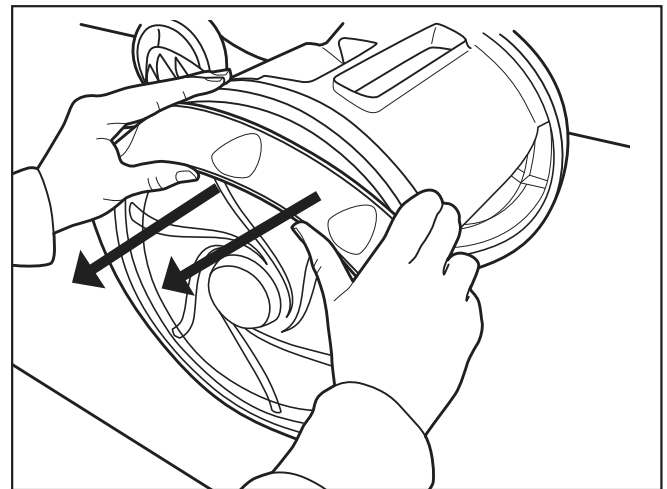


Figura 18. Quite el neumático viejo del limpiador

3. Para reemplazar el neumático, ubique el nuevo neumático en la rueda asegurándose de orientarlo de modo que el patrón de la ranura de los neumáticos quede en el lado exterior de la rueda. Consulte la Figura 19.

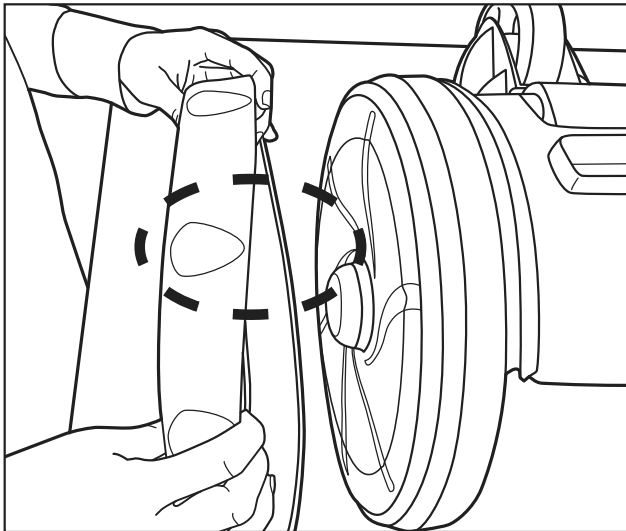


Figura 19. Orientación de los neumáticos de repuesto

4. Presione uno de los lados del neumático hacia la rueda y el ajuste del neumático en la rueda, tal como se muestra en la Figura 20.

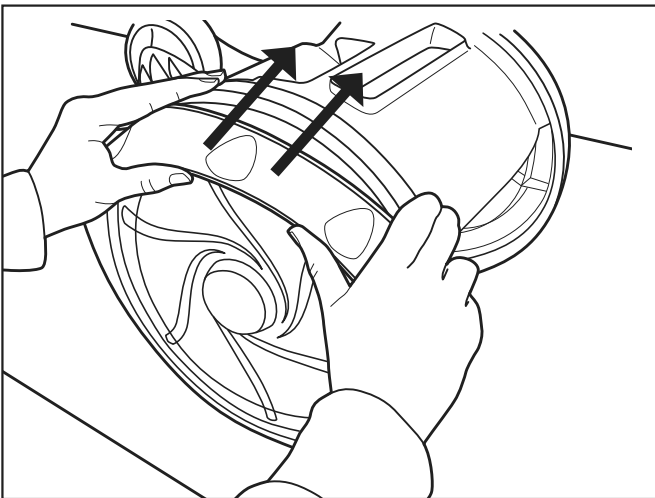


Figura 20. Empuje el neumático sobre la rueda

5. Encaje el neumático alrededor y dentro de la rueda. Consulte la figura 21.

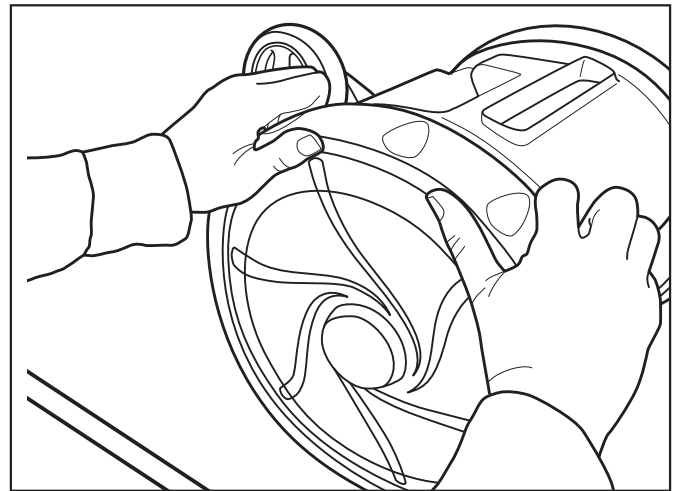


Figura 21. Empuje el neumático en su sitio



## Sección 6. Diagnóstico y solución de problemas

### **⚠ ADVERTENCIA**

Para prevenir el riesgo de descarga eléctrica, que podría resultar en lesiones graves o la muerte, NO ABRA la unidad de control.

Síntoma	Causa	Solución
El limpiador no se mueve y la luz verde no se ilumina.	La unidad está apagada.	Asegúrese de que el botón ON/OFF (encendido/apagado) esté en ON (encendido).
	No le llega electricidad al limpiador.	<ol style="list-style-type: none"> <li>1. El tomacorriente al que unidad de control está conectado no tiene energía eléctrica.</li> <li>2. Conecte el cable de alimentación principal en otro tomacorriente que tenga alimentación eléctrica y asegúrese de que la luz verde parpadee una vez.</li> <li>3. Si el indicador verde no se ilumina, póngase en contacto con su representante local de Polaris.</li> </ol>
El indicador luminoso verde parpadea después de pulsar el botón ON/OFF (encendido/apagado).	La unidad de control necesita ser reiniciada / no está conectada correctamente.	<p>Sumerja el filtro siguiendo el procedimiento en la Sección 4.1, "Inmersión del limpiador".</p> <ol style="list-style-type: none"> <li>1. Para reiniciar el suministro: <ol style="list-style-type: none"> <li>a. Desconecte el cable de alimentación principal de la toma eléctrica.</li> <li>b. Desconecte el conector del cable flotante de la unidad de control y luego vuelva a conectar siguiendo los procedimientos establecidos en la Sección 3.3, "Conexión eléctrica".</li> <li>c. Conecte el cable principal en el receptáculo eléctrico y compruebe si el indicador luminoso verde se ilumina.</li> <li>d. Presione el botón ON/OFF (encendido/apagado). Si el indicador verde no se ilumina o parpadea, comuníquese con su representante local de Polaris.</li> </ol> </li> </ol>
El limpiador no recoge los residuos.	El filtro está lleno o sucio.	Limpie la caja del filtro según el procedimiento de la Sección 5.1, "Limpieza de la caja del filtro".
El limpiador no se mantiene firmemente en el fondo de la piscina.	Hay aire en la carcasa del aparato.	Sumerja el filtro siguiendo el procedimiento en la Sección 4.1, "Inmersión del limpiador". Si el problema persiste, retire la placa de la cubierta del limpiador y extraiga el flotador de poliestireno del interior de la cubierta. Vuelva a colocar la cubierta y sumerja de nuevo el limpiador.
La capacidad del limpiador para escalar las paredes de la piscina se ha reducido. NOTA: El filtro no está diseñado para subir hasta la línea de flotación.	El filtro está lleno o sucio.	Limpie la caja del filtro según el procedimiento de la Sección 5.1, "Limpieza de la caja del filtro".
	Los neumáticos están desgastados.	5. Reemplace los neumáticos siguiendo el procedimiento en la Sección 5.5, "Sustitución de los neumáticos del limpiador".
	Los lados de la piscina están resbaladizos o limosos. Aunque el agua parezca clara, hay algas microscópicas, invisibles para el ojo humano, presentes en la piscina. Como resultado, los lados de la piscina se vuelven resbaladizos y evitan que el limpiador pueda escalar.	Asegúrese de que los productos químicos de la piscina estén balanceados. Si los productos químicos están en balanceados, contacte a su representante local de Polaris.

Síntoma	Causa	Solución
El giro a la derecha o la rotación es ineficiente.	Hay residuos bajo el estribo del pivote.	Elimine los residuos de los estribos y compruebe que gire libremente.
	El rodillo está desgastado.	Si el rodillo está desgastado, reemplácelo según sea necesario.
	El limpiador está muy liviano.	Quite el flotador de poliestireno. Desenrosque la cubierta del filtro y quite el flotador de poliestireno del interior de la cubierta. Vuelva a colocar la cubierta y vuelva a sumergir el limpiador.
El giro a la izquierda es ineficiente.	El limpiador está muy pesado.	Contacte con su distribuidor para obtener un flotador de poliestireno para instalar en la cubierta.

## Sección 7. Lista de piezas de repuesto y despiece del Polaris 9100 Sport

La lista completa de piezas de repuesto y el plano despiece están disponible en el sitio web de Polaris en [www.polarispool.com](http://www.polarispool.com).

# NOTAS



**Intertek**

Cumple con las normas UL 1081  
Certificado por CSA (Asociación de  
Normas de Canadá) E63055-2-41

**Zodiac Pool Systems, Inc.**

2620 Commerce Way, Vista, CA 92081

1.800.822.7933 | [www.ZodiacPoolSystems.com](http://www.ZodiacPoolSystems.com)

ZODIAC® es una marca registrada de Zodiac International, S.A.S.U., utilizada bajo licencia.  
Todas las marcas registradas mencionadas en este documento son propiedad de sus  
respectivos propietarios.

©2011 Zodiac Pool Systems, Inc. H0351305 Rev - 1111

