

P825 Robotic Pool Cleaner

TYPE EM27--

OWNER'S MANUAL

ENGLISH | FRANÇAIS | ESPAÑOL

⚠ WARNING

FOR YOUR SAFETY - For anything other than the routine cleaning and maintenance described in this manual, this product must be serviced by a contractor who is licensed and qualified in pool equipment by the jurisdiction in which the product will be installed where such state or local requirements exist. In the event no such state or local requirement exists, the maintainer must be a professional with sufficient experience in pool equipment installation and maintenance so that all of the instructions in this manual can be followed exactly. Improper installation and/or operation will void the warranty.

Table of Contents

Section 1. Important Safety Instructions.....	3	Section 5. Maintenance.....	12
Section 2. Cleaner Specifications.....	4	5.1 Cord Tangling	12
Section 3. Assembly and Setup	4	5.2 Replacing the Brushes	13
3.1 Unpacking	4	5.3 Replacing the Tracks.....	14
3.2 Assembling the Transport Caddy	4	Section 6. Replacement Parts	14
3.3 Connecting the Control Unit to the Caddy.....	6	Section 7. Troubleshooting	15
3.4 Connecting to a Power Source.....	6	7.1 Using the Cleaner Error Indicator.....	15
Section 4. Operation.....	7	7.2 General Troubleshooting	16
4.1 The Polaris P825 Cleaner Control Unit	8		
4.2 Submerging the Cleaner	8		
4.3 Starting the Cleaner	9		
4.4 Wall Cleaning (Surface Control System™)	9		
4.5 Stopping the Cleaner and Removing from the Pool.....	10		
4.6 Rinsing the Cleaner.....	10		
4.7 Cleaning the Filter Canister.....	10		
4.8 Storing the Cleaner	11		

THANK YOU FOR PURCHASING THE POLARIS CLEANER.

YOUR POLARIS ROBOTIC CLEANER HAS BEEN DESIGNED AND MANUFACTURED TO BE EASILY INSTALLED AND TO PROVIDE LOW MAINTENANCE OPERATION. PRIOR TO INSTALLING YOUR NEW POLARIS CLEANER, PLEASE DO THE FOLLOWING:

- 1) Complete and return the warranty registration card.
- 2) Record your purchase information on the spaces provided below.
- 3) Attach your invoice (or a copy) to this page.

Taking these steps will help ensure prompt warranty service, should it be required. If service is required, please contact your original dealer. If the original dealer does not perform warranty service, please visit www.polarispool.com to locate an independent service company near you. If you are unable to locate a service company, please call our Technical Support department at 1-800-822-7933.

RECORD YOUR POLARIS CLEANER DATA HERE:

Date of Purchase _____ Purchased From _____ Serial Number: _____
(located on machine head)
 City _____ State/Province _____ Zip/Postal Code _____

Section 1. Important Safety Instructions

Congratulations on purchasing the Polaris Robotic Cleaner. Please read through the entire manual before installing your new robotic pool cleaner. Your cleaner must be installed and operated as specified.

READ AND FOLLOW ALL INSTRUCTIONS

⚠ WARNING

Failure to comply with the following warnings can result in permanent injury, electrocution or death.

PREVENT ELECTRICAL SHOCK

To reduce risk of electrical shock:

- Connect unit to receptacle protected by a ground fault circuit interrupter (GFCI). Such a GFCI receptacle should be provided by a qualified installer and should be tested on a routine basis. To test the GFCI, push the test button. The GFCI should interrupt power. Push the reset button. Power should be restored. If the GFCI fails to operate in this manner, the GFCI is defective. If the GFCI interrupts power to the pump without the test button being pushed, a ground current is flowing, indicating the possibility of an electric shock. Do not use this product. Disconnect the cleaner and have the problem corrected by a qualified service representative before using.
- Per the United States National Electrical Code® (NEC®), keep the control unit at least five (5) feet from the edge of the (pool/spa) water. In Canada, the Canadian Electrical Code (CEC) requires a minimum distance of 3m (10 ft.) to be maintained between the pool edge and the control unit. Never submerge the control unit.
- Do not enter pool while the Polaris cleaner is in water.
- Do not bury cord. Locate cord so as to prevent it from being damaged by lawn mowers, hedge trimmers and other equipment.
- To reduce the risk of electrical shock, do not use the Polaris robotic cleaner or control unit if the cord is worn or damaged. Contact Zodiac Pool Systems, Inc. Technical Support immediately for proper servicing and replacement of the damaged cord.
- Double insulation—For continued protection against possible electric shock, use only identical replacement parts when servicing. Do not attempt repair of the Polaris robotic cleaner, control unit, power cord, or floating cable.
- NEVER OPEN CONTROL UNIT.
- DO NOT USE AN EXTENSION CORD TO CONNECT THE UNIT TO ELECTRIC SUPPLY; PROVIDE A PROPERLY LOCATED GFCI RECEPTACLE. THE CONTROL UNIT SHOULD BE PLACED NEAR THE GFCI RECEPTACLE BOX.

PREVENT CHILD INJURY AND DROWNING

- To reduce the risk of injury, do not permit children to operate this product.
- Do not let anyone, especially small children, sit, step, lean, or climb on any equipment installed as part of your pool's operational system.

⚠ CAUTION

Failure to comply with the following warnings could cause damage to pool equipment or personal injury.

- The Polaris cleaner must be installed and operated as specified.
- This product is intended for use with permanently-installed pools. Do not use with storable pools. A permanently-installed pool is constructed in or on the ground or in a building such that it cannot be readily disassembled for storage. A storable pool is constructed so that it is capable of being readily disassembled for storage and reassembled to its original integrity.
- Clean the filter canister in the Polaris cleaner after each use.
- Do not use the product in your pool if the water temperature is above 95° F (35° C) or below 55° F (13° C).

⚠ CAUTION

USE OF THE POLARIS ROBOTIC CLEANER IN A VINYL LINER POOL

Certain vinyl liner patterns are particularly susceptible to rapid surface wear or pattern removal caused by objects coming into contact with the vinyl surface, including pool brushes, pool toys, floats, fountains, chlorine dispensers, and automatic pool cleaners. Some vinyl liner patterns can be seriously scratched or abraded simply by rubbing the surface with a pool brush. Ink from the pattern can also rub off during the installation process or when it comes into contact with objects in the pool. Zodiac Pool Systems, Inc., is not responsible for, and the Limited Warranty does not cover, pattern removal, abrasion or markings on vinyl liners.

SAVE THESE INSTRUCTIONS

Section 2. Cleaner Specifications

Control box supply voltage	100-240VAC, 60 Hz
Supply voltage	30 V DC
Installed load	150 W max
Cable length	50 ft (15 m)
Cleaner size (WxDxH)	16 x 16.5 x 10 in. (41 x 42 x 25 cm)
Weight of Cleaner	20 lbs. (9 kg)
Filtration	All-purpose filter canister
Cycle lengths	1.5 hr

The cleaner is a double-insulated product. A double-insulated electrical appliance is one which has been designed in such a way that it does not require a safety connection to ground. The basic requirement for double-insulation is that no single failure can result in dangerous voltage becoming exposed so that it might cause an electric shock and that this is achieved without relying on an earthed (grounded) metal casing. This is achieved by having two (2) layers of insulating material surrounding live parts or by using reinforced insulation. Therefore, devices having double-insulated construction, such as this cleaner, do not utilize a grounded (three-prong) cord/plug.

Section 3. Assembly and Setup

3.1 Unpacking

The packaging should contain the following items:

- Robotic cleaner and floating power cable
- Control unit with power cord
- Transport and storage caddy assembly components (Figure 1)
 - (a) handle frame
 - (b) support blocks (x 2)
 - (c) wheels (x 2)
 - (d) wheel locking clips (x 2)
 - (e) wheel axle / hubcap (x 2)
 - (f) base unit
 - (g) caddy handle

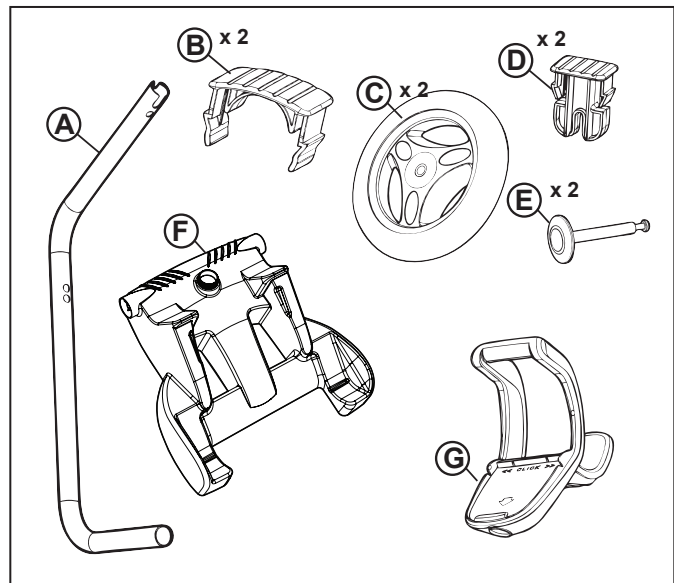


Figure 1. Transport Caddy Assembly Components

When unpacking the cleaner and its components:

- Check to make sure each component is in the box.
- Check cleaner and components for damage.
- If there are missing parts or damage, contact Polaris Technical Support:
USA 1-800-822-7933
Canada 1-888-647-4004 .

3.2 Assembling the Transport Caddy

1. Unscrew the handnut from the base unit (Figure 2).

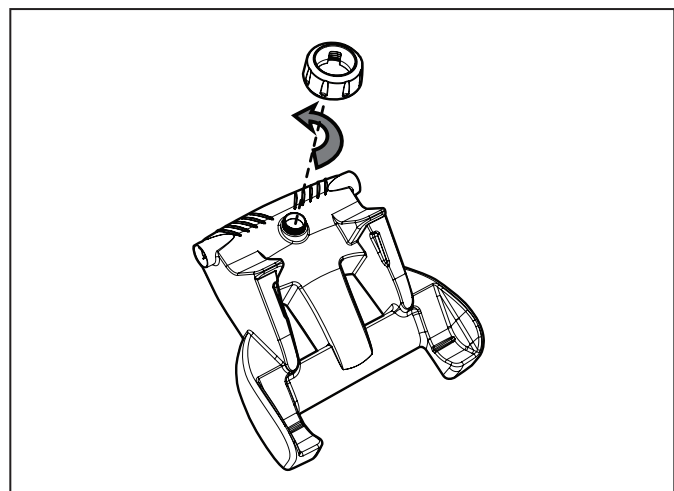


Figure 2. Remove Handnut from Base Unit

2. Insert the metal handle frame tubing into the base unit with notch end at the top, then rotate so the bends are away from you. (Figure 3).

3. Push base unit down (Figure 3) so the metal handle frame is seated in the recess on the underside of the base.

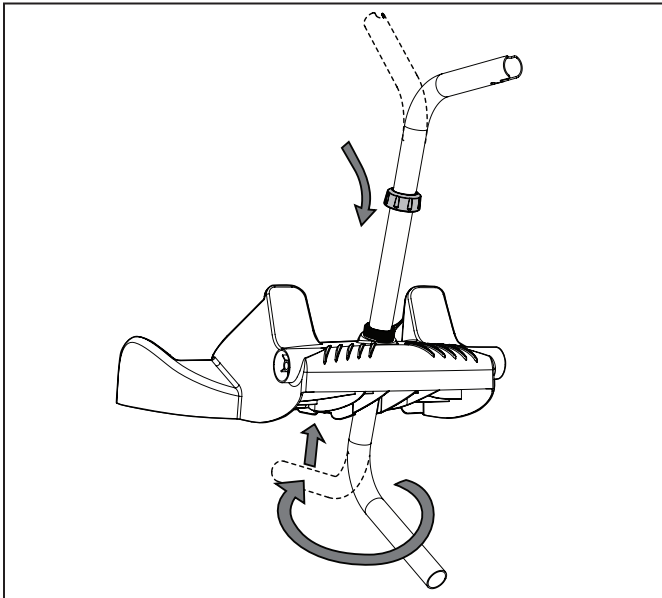


Figure 3. Connect Metal Frame to Base Unit

4. Slide the handnut over the tube and twist to tighten onto base unit (Figure 4).

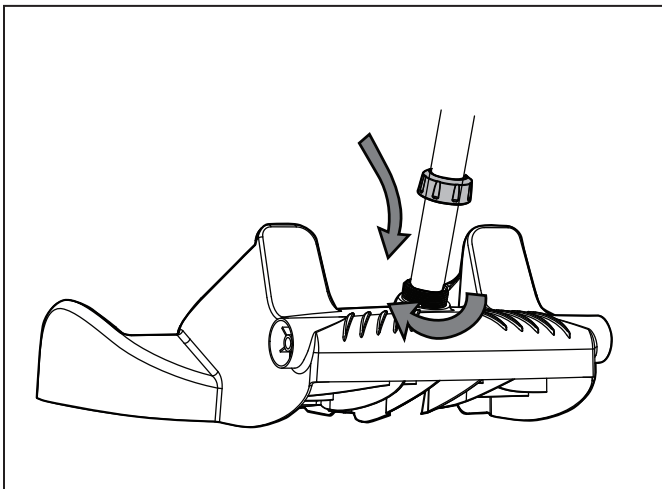


Figure 4. Twist Handnut to Secure Frame

5. Snap two (2) support blocks into place (Figure 5).
6. Slide axle and hubcap piece through center of wheel and attach to base unit. Snap locking clip into place to secure wheel. Repeat to attach both wheels (Figure 5).

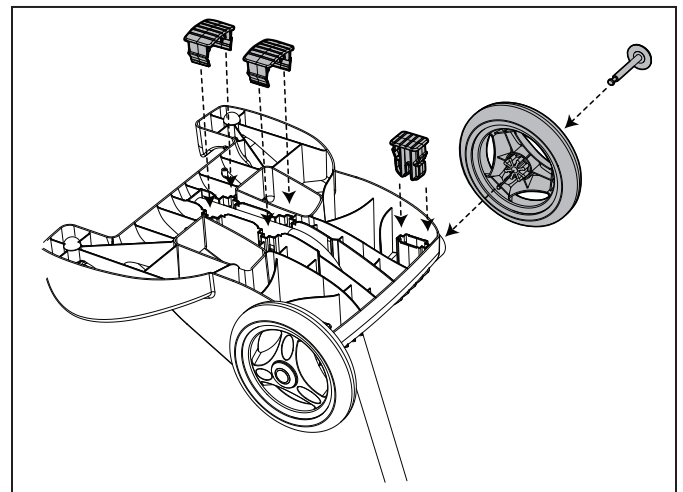


Figure 5. Snap in Support Blocks and Attach Wheels

7. Slide the control unit base / caddy handle attachment down over the metal tubing until it snaps into place. (See Figure 6).

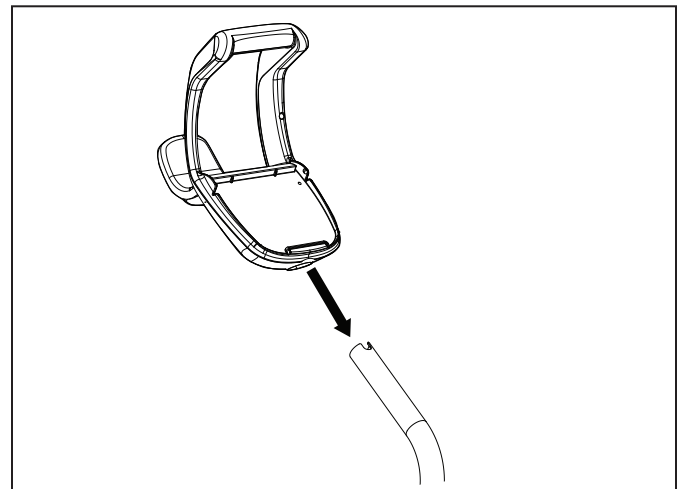


Figure 6. Attach Caddy Handle

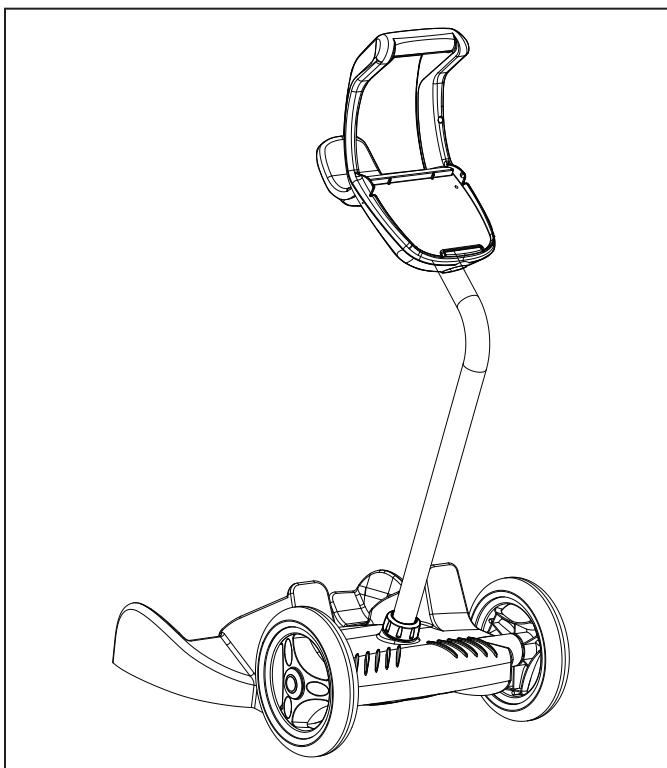


Figure 7. Fully Assembled Transport Caddy

3.3 Connecting the Control Unit to the Caddy

1. Align the bottom of the control unit with the notch at bottom of the control unit hook on the caddy (Figure 8).

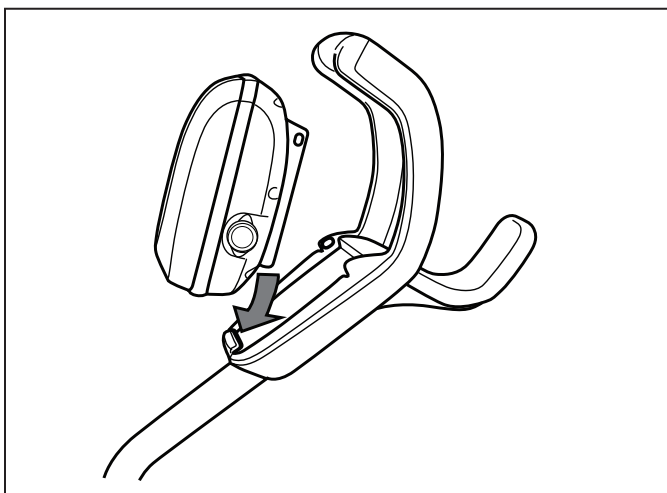


Figure 8. Align Control Unit on Caddy Hook

2. Press control unit onto the caddy hook until it snaps and locks into position (Figure 9).

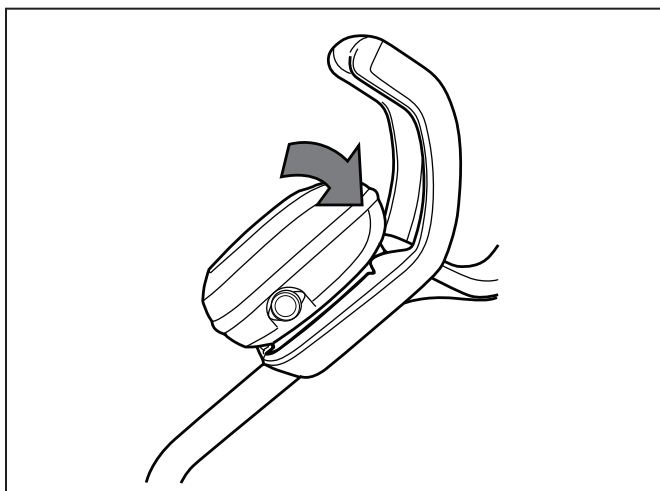


Figure 9. Attach the Control Unit onto Caddy

3.4 Connecting to a Power Source

⚠ WARNING

Failure to comply with the following warnings can result in permanent injury, electrocution or drowning.

PREVENT ELECTRICAL SHOCK

- **U.S.:** Per NEC® requirements, keep the control unit at least five (5) ft. (1.5 m) from the edge of the pool.
- **CANADA:** Per CEC requirements, keep the control unit at least three (3) m (10 ft.) from the edge of the pool.
- Only connect the control unit to a receptacle protected by a ground fault circuit interrupter (GFCI). Contact a certified electrician if you cannot verify that the receptacle is protected by a GFCI.
- Do not use an extension cord to connect the control unit.
- Do not allow anyone to swim while the cleaner is in the pool.
- The control unit is water-resistant, not waterproof. In order to prevent electrocution, never submerge the control unit or leave exposed to inclement weather.

To Connect:

- Rotate the power cord so that TOP is shown on the top side. Press the power cord firmly into the control unit until you hear a "click" (see Figure 10). The clicking indicates the power cord is connected correctly creating a watertight seal.

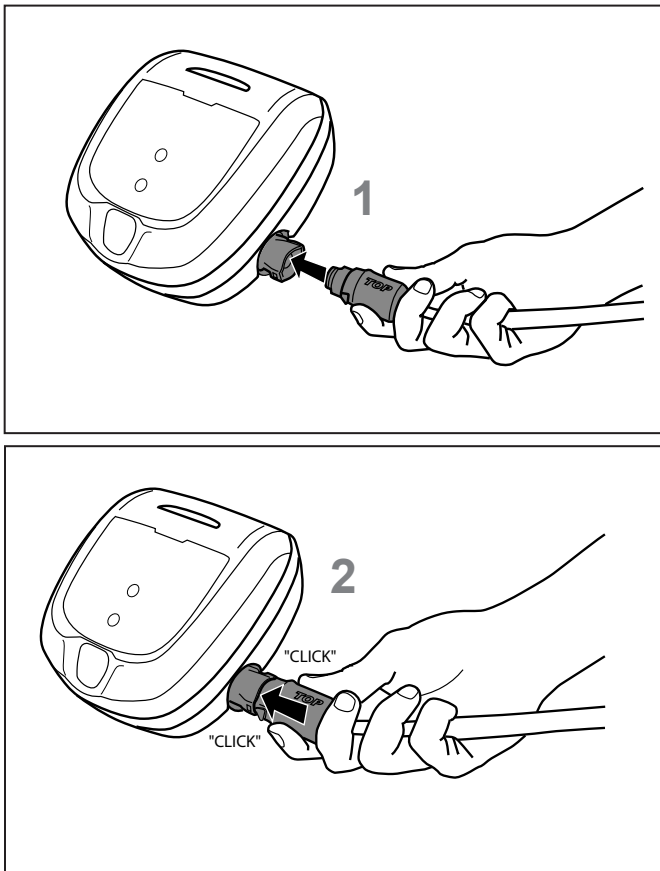


Figure 10. Connect the Power Cord

To Disconnect:

- Grip the power cord firmly on each side and press two tabs to release (see Figure 11.)

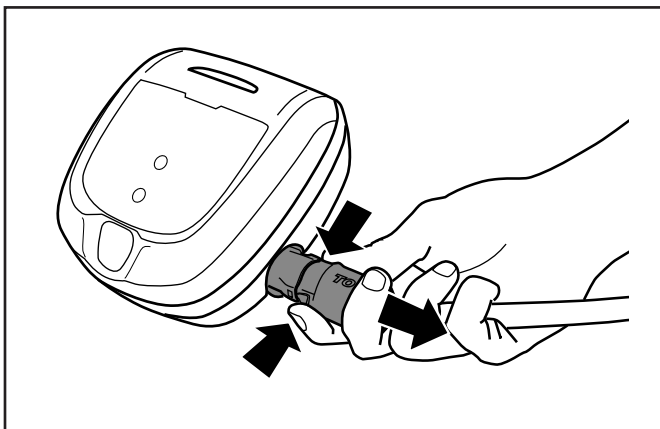


Figure 11. Disconnect the Power Cord

Section 4. Operation

⚠ CAUTION

To prevent damage to the cleaner, be sure to adhere to the following guidelines:

- Remove the cleaner from the pool after the cleaning cycle is completed and store on the caddy out of direct sunlight or inclement weather.
- Never lift the cleaner out of the pool by the floating cable. Always use the handle to remove cleaner from the pool.
- Take additional care when lifting the cleaner out of the pool. It becomes heavier when filled with water.
- Always remove the cleaner from pool when super chlorinating or adding acid.
- Do not handle cleaner while it is in operation.

IMPORTANT

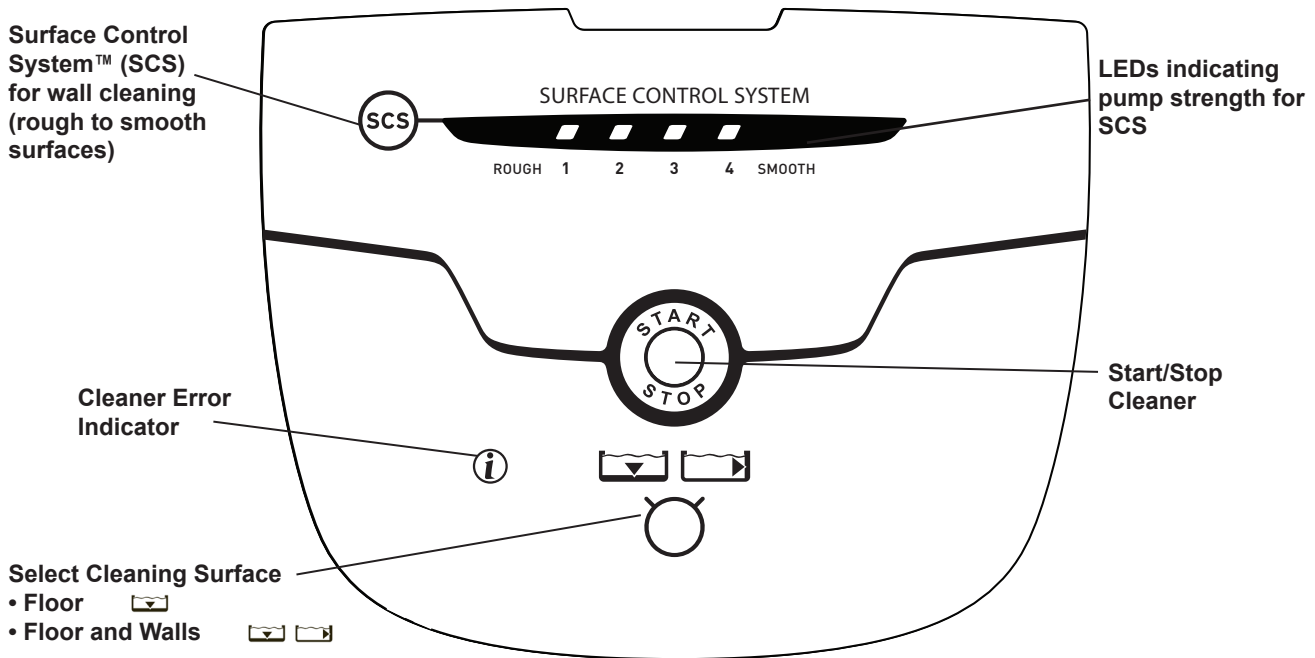
- Always make sure the cleaner head is fully submerged before you begin operation.
- Clean the filter canister after each cleaning cycle.
- Do not leave your cleaner in the pool on a permanent basis.
- At the end of each cycle, remove the cleaner from the pool. Start at the cleaner head and untangle any coils in the cable before storing the cleaner.

When the control unit is powered on with the floating cable attached, the operating time for the current selected cycle is displayed.

The Polaris robotic cleaner includes a safety feature that automatically stops the cleaner if it is powered on but not submerged in water. For pools equipped with a beach area, this safety feature is programmed to drive the cleaner in reverse and back into the pool when the impeller is out of the water.

4.1 The Polaris P825 Cleaner Control Unit

English



4.2 Submerging the Cleaner

1. Submerge the cleaner vertically (1) and hold it under the surface, moving gently from side to side (2) until the bubbles stop to remove any air trapped inside (see Figure 12).
2. When the bubbles stop, allow the cleaner to sink to the bottom of the pool.
3. Verify the cleaner is sitting on the bottom of the pool. Remove additional air if the cleaner is still floating.

NOTE: The cable side of the cleaner remains up as long as the pump is OFF. As soon as you turn the pump ON, the handle lowers.

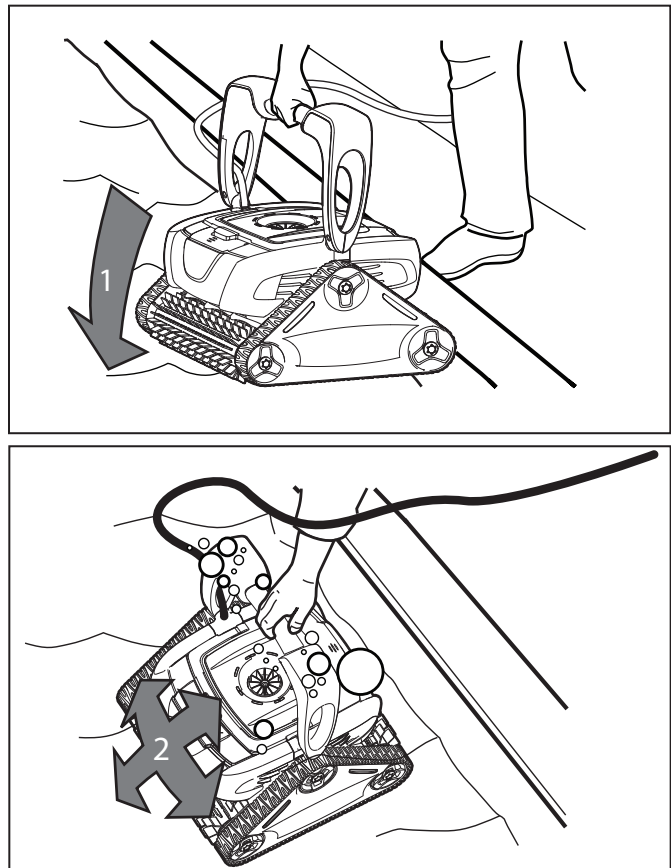


Figure 12. Submerge and Remove Trapped Air

- Spread the floating cable over the pool, making sure there are no kinks or coils in the cable .

NOTE: For optimal patterning and reduced tangling, the floating cable should enter the water near the middle of the pool length. Only place enough cable in the water to reach the farthest point in the pool (see Figure 13).

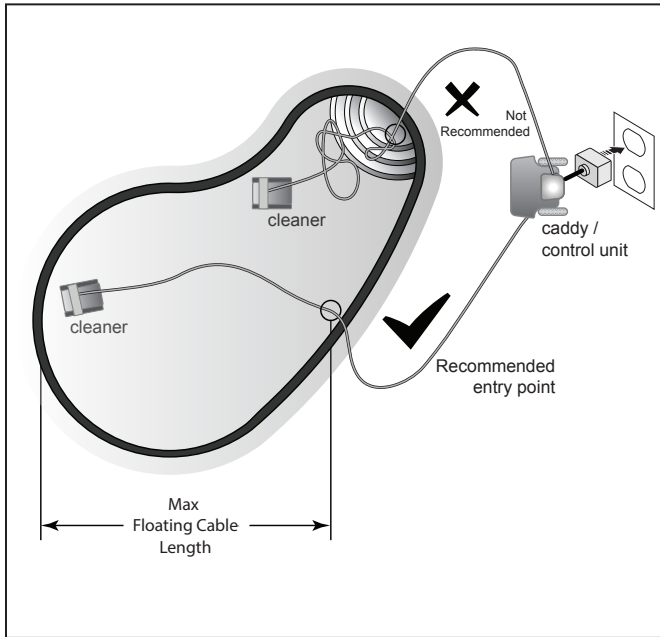


Figure 13. Set Up for Optimal Patterning

4.3 Starting the Cleaner

The first time you use the cleaner, the cleaning surface setting is Floor and Walls . After the first time, the default is the last setting used.

Select Cleaning Surface:

- Use to change cleaning surface setting.



Begin Cleaning:

- After selecting the cleaning surface, press to begin operation.
- At the beginning of the cycle, the cleaner remains in place for a few seconds to initialize

the microcontroller after the pump starts.

NOTE: Periodically the cleaner will pause for up to 20 seconds throughout the cleaning cycle. The cleaner is calibrating its position in the pool during this process. This is normal operation and the cleaner will resume movement immediately after calibration with no user action required. The pause does not affect the overall cleaning cycle.

4.4 Wall Climbing (Surface Control System™)

The cleaner has the ability to clean the pool walls up to the waterline. How much the cleaner needs to grip to the wall depends upon the pool surface.

Grip Intensity Indicator:

Surface Control System (SCS) settings are as follows for different pool surface types:

- 1 Pebble Surface (ROUGH)
- 2 Concrete
- 3 Vinyl / Fiberglass
- 4 Tile (SMOOTH)

Check Wall Climbing Setting:

- Start the cleaner and watch as the cleaner climbs each wall. If grip setting is correct, the cleaner will easily climb the wall and clean up to the waterline. The default setting is .

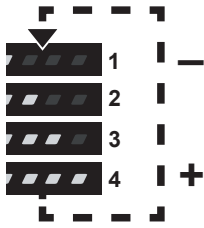
NOTE: Wall climbing is programmed in a randomized pattern. Cleaner may climb wall and not reach waterline until third or fourth attempt in order to thoroughly clean wall surface below the waterline first.

- Adjust the wall climbing setting as necessary using the following guidelines:
 - Increase:** if cleaner is climbing the wall slowly and stays below the waterline.
 - Decrease:** if cleaner is climbing the wall too quickly and sucking air at the waterline.

Adjust SCS Wall Climbing Setting:

You can change the wall climbing setting at any time during cleaner operation with the SCS button. The new setting will be active when the cleaner climbs the next wall.

- Press to adjust the wall climbing setting one level higher.
- One additional LED lights each time you press the button to indicate stronger grip on the wall.
- To decrease setting, press button to cycle through back to one LED (lowest setting).



4.5 Stopping the Cleaner and Removing from the Pool

1. If the cleaner is still in operation, press to interrupt operation. If cleaning cycle is complete, begin at Step 2.
2. When the cleaner is within arm's reach, pull gently on the floating cable to bring the cleaner handle within arm's reach. Use the handle to lift the cleaner from the water (see Figure 14). Never lift the cleaner out of the pool by the floating cable.

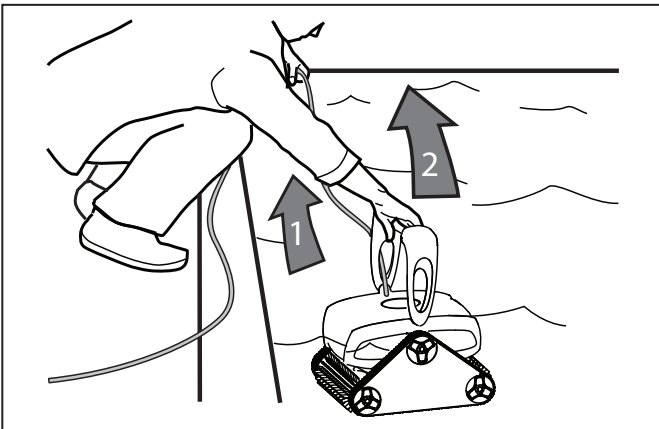


Figure 14. Lift Cleaner From Pool with Handle

3. Hold the cleaner vertically over the pool surface to drain water before removing (see Figure 15).

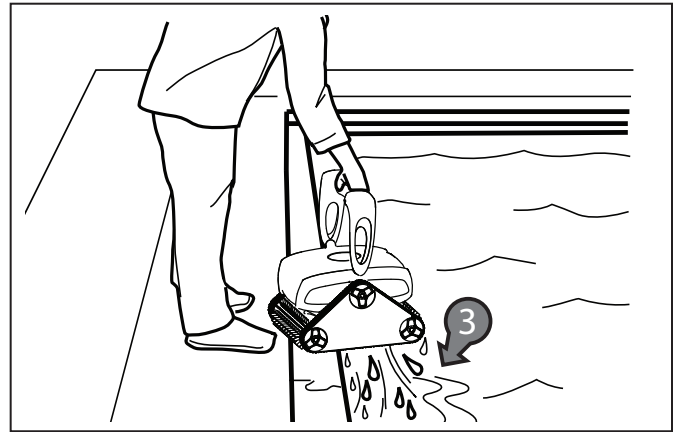


Figure 15. Lift Cleaner From Pool with Handle

4.6 Rinsing the Cleaner

Rinse the cleaner after every cleaning cycle. Use slightly soapy clean water, then rinse generously with clean water. Do not use solvents such as acetone or its equivalent. Do not let your cleaner dry in direct sunlight near the pool.

4.7 Cleaning the Filter Canister

Always empty and clean the filter canister at the end of each cleaning cycle.

WARNING

To avoid electric shock and other hazards which could result in serious injury or death, disconnect (unplug) the cleaner from the power source before performing any cleaning and maintenance.

1. Unplug power to the cleaner at the control unit. Unplug the control unit from the power source.
2. Press the PUSH 'N' GO® button to release the filter canister handle (see Figure 16).

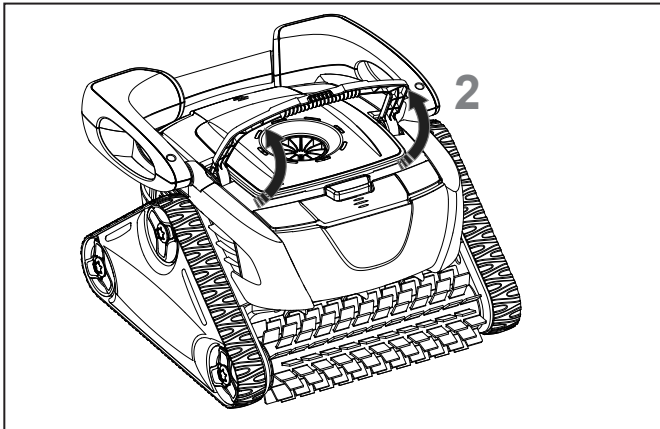
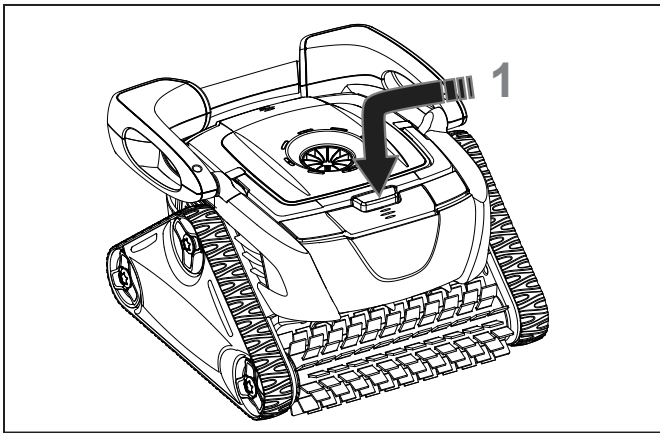


Figure 16. Release Filter Canister Handle

3. Grasp the filter canister handle and lift up to remove the filter canister (see Figure 17).

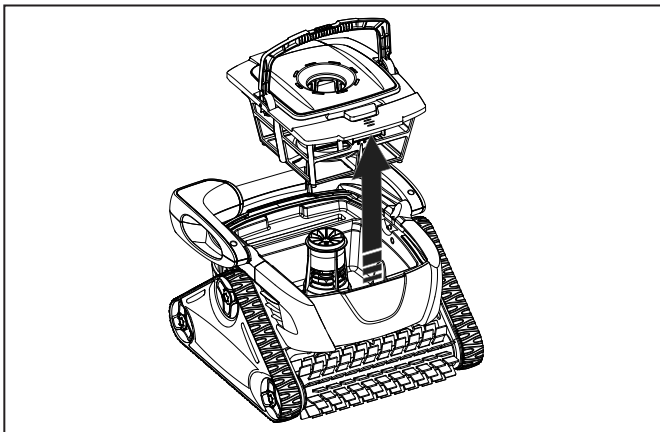


Figure 17. Remove the Filter Canister

4. Press two latches (1) and remove the filter canister lid (2) (See Figure 18).

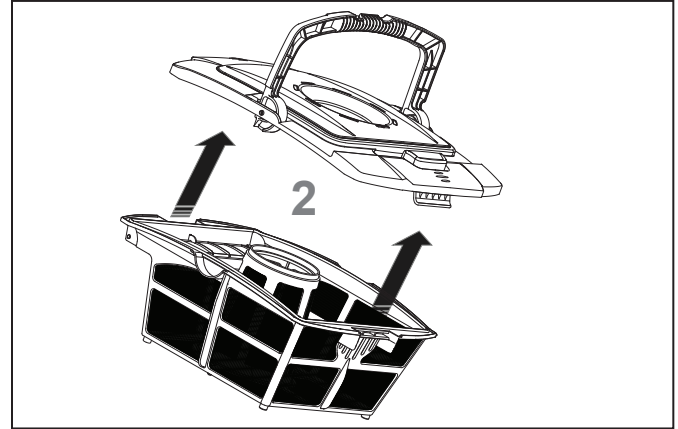
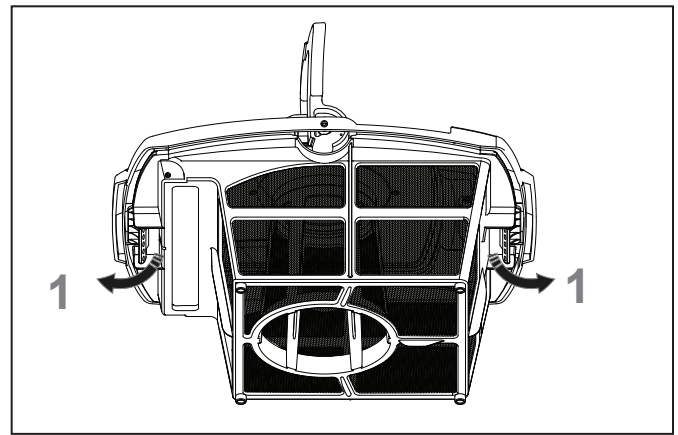


Figure 18. Remove Filter Canister Lid

5. Using a hose with clean water, rinse the filter canister and lid to remove all debris (see Figure 19).

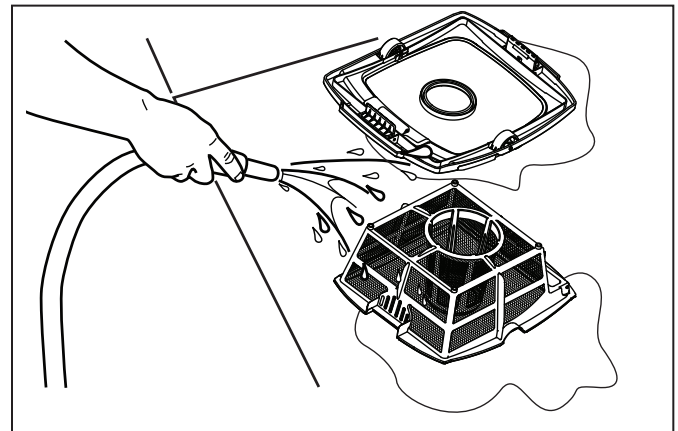


Figure 19. Rinse the Filter Canister

6. Replace lid on the canister and then replace canister back into the cleaner body.

4.8 Storing the Cleaner

The cleaner must be cleaned regularly using slightly soapy clean water. Do not use solvents such as acetone or its equivalent. Rinse the cleaner generously using clean water. Do not let your cleaner dry in direct sunlight near the pool. The cleaner must be stored on its caddy so that it dries quickly.

1. Starting at the cleaner head. Remove all coils and tangles from the cable (see Figure 20).

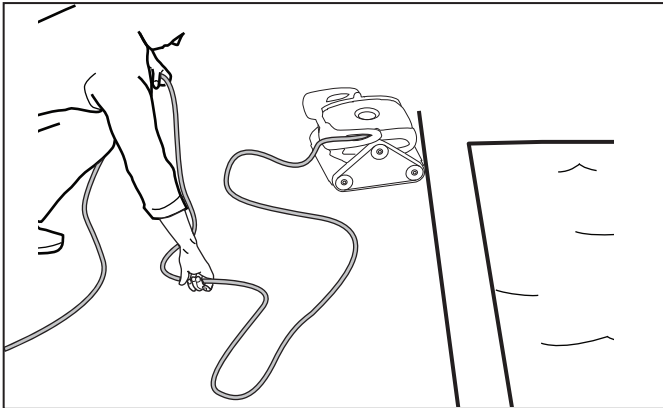


Figure 20. Untangle the Floating cable

2. Place the cleaner in vertical position on the caddy base with the rear tracks on the caddy side wedges (see Figure 21).
3. Loosely coil the power cable starting at the cleaner and moving toward the connection point at control unit. Store the cable by wrapping it around the hook located on the front of the caddy (see Figure 21).

4. Disconnect the cable from the control unit and coil loosely around the caddy hook.
5. If you removed the control unit from the caddy, replace it by aligning the bottom of the control unit with the caddy notch, hook it onto the caddy, then press firmly in place until you hear a "click".

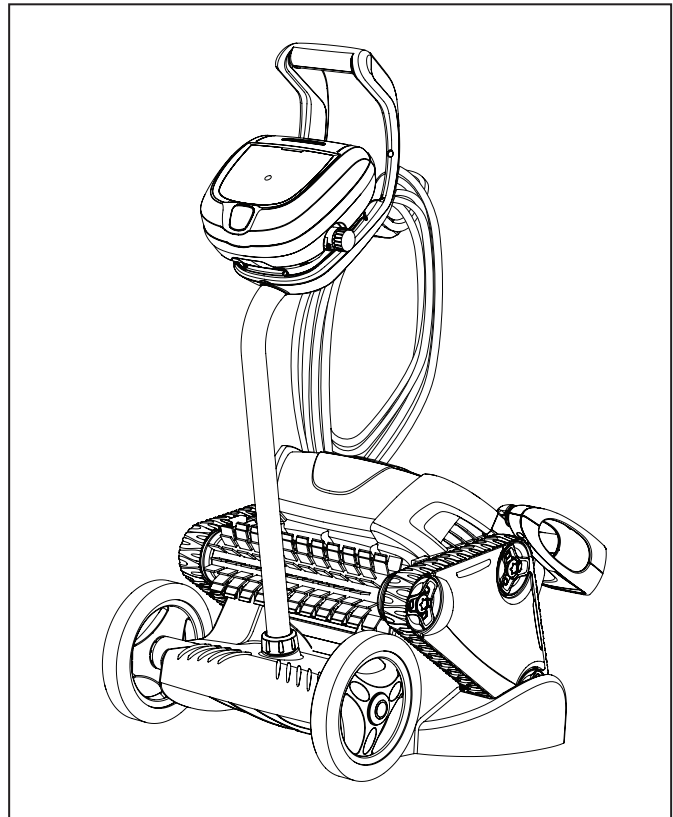


Figure 21. Cleaner Stored Correctly on Caddy

Section 5. Maintenance

WARNING

To avoid electric shock and other hazards which could result in serious injury or death, disconnect (unplug) the cleaner from the power source before performing any cleaning and maintenance.

5.1 Cord Tangling

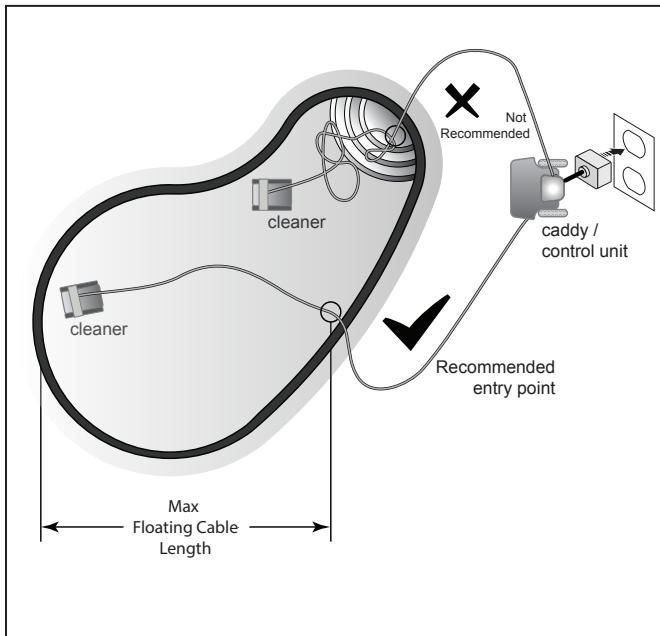


Figure 22. Spread Floating Cable Across Farthest Distance of the Pool

IMPORTANT

The floating cable may become tangled if correct procedure is not followed after each cleaning cycle.

Do not leave the cleaner unattended for prolonged periods and follow the procedure below to avoid excessive tangling.

After every cleaning cycle:

1. Unplug power to the cleaner at the control unit.
2. Remove the cleaner from the pool and untangle all kinks and coils in the floating cable starting at the cleaner head (see Figure 23).
3. Plug power cord back into control unit and store cleaner on the caddy out of direct sunlight for next use.

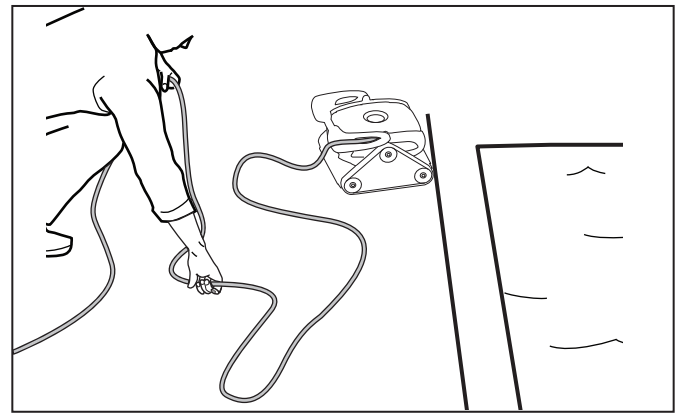


Figure 23. Untangle the Floating cable

5.2 Replacing the Brushes

The cleaner is fitted with PVC brushes in front and rear. There are raised grooves that are "wear" indicators on the brushes located next to the tab connectors (see Figure 24). As brushes wear out, the raised groove will flatten and smoothen into the track. To maintain optimal cleaner performance, you should replace the brushes as soon as one of the wear indicators is smooth or worn down (even if the blade wear is not even). It is recommended that you replace the brushes every two (2) years.

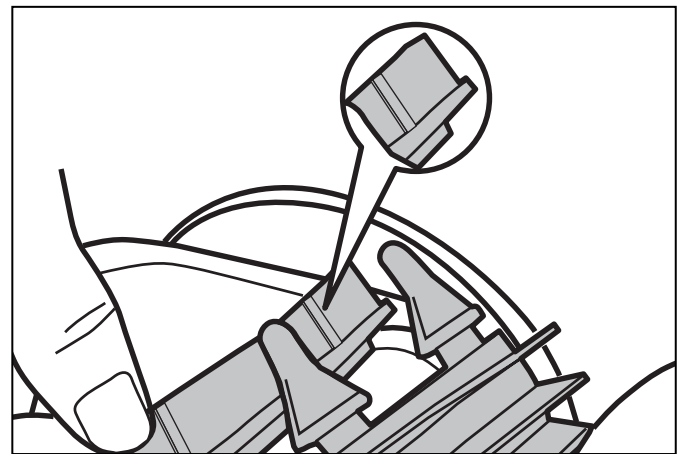


Figure 24. Wear Indicators

1. Stand the cleaner on its end in a vertical position (see Figure 25).

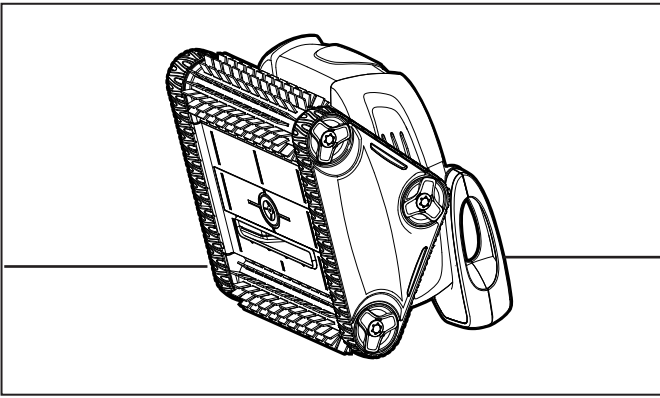


Figure 25. Stand Cleaner Upright

2. Separate the edges of the brush, undo the tabs, and remove the worn brush.
3. Position the new brush underneath the roller with the spikes facing downwards (see Figure 26).

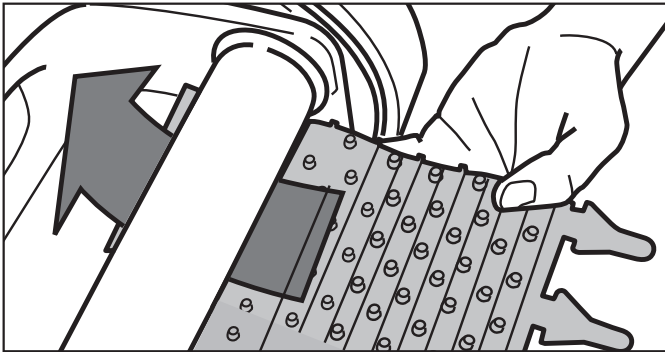


Figure 26. Position the New Brush on Roller

4. Thread each tab into the slot provided and gently feed it through until the heel comes out at the other side of the slot (see Figure 27).

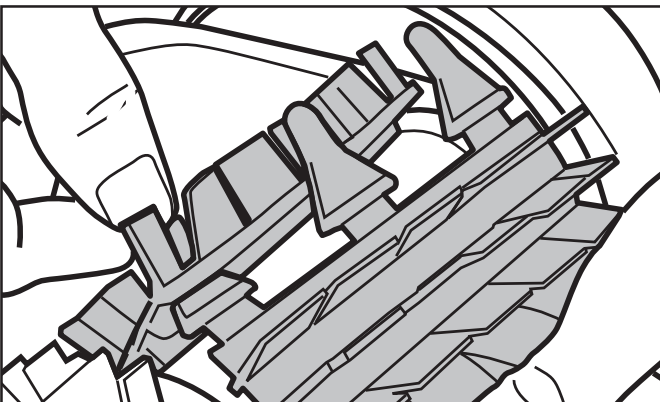


Figure 27. Pull Tabs Through Each Slot

5. Use scissors to cut the tabs so they are no higher than the spikes (see Figure 28).

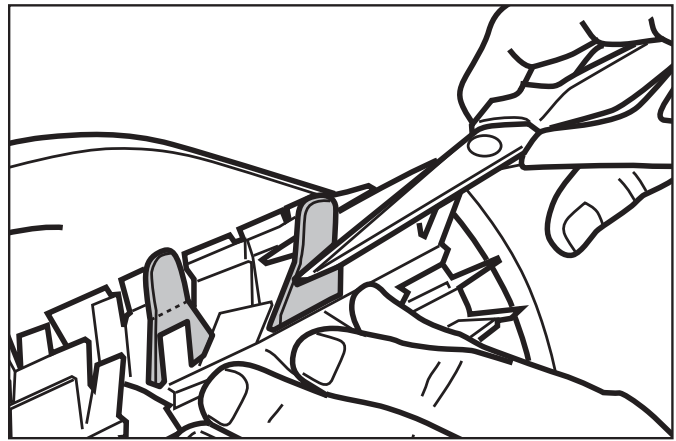


Figure 28. Cut Tabs

6. Repeat this procedure to replace the second brush.

5.3 Replacing the Tracks

1. Stand the cleaner on its side (see Figure 29).

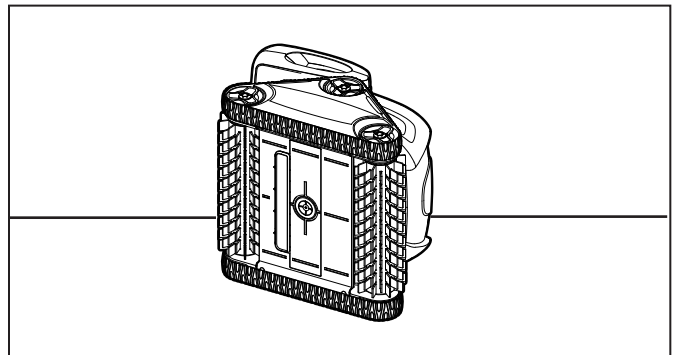


Figure 29. Stand Cleaner on its Side

2. Starting at one of the wheels, pull on the inside of the track to separate the tire lip from the wheel (see Figure 30). Remove the track from the cleaner.

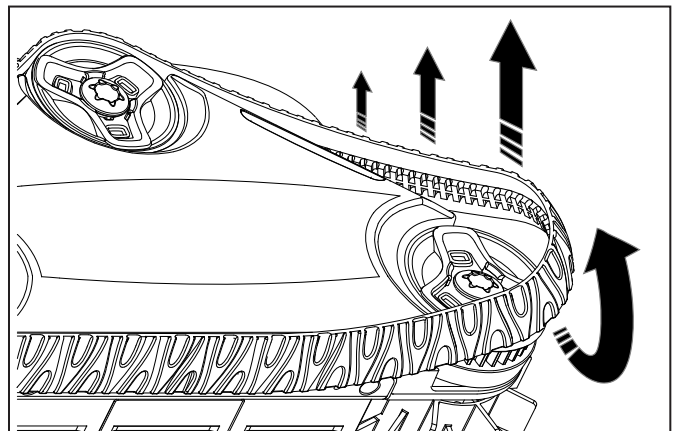


Figure 30. Pull the Track Over Wheels to Remove

3. To install a new track, place the inside rib of the track into the groove in the first wheel (see Figure 31).

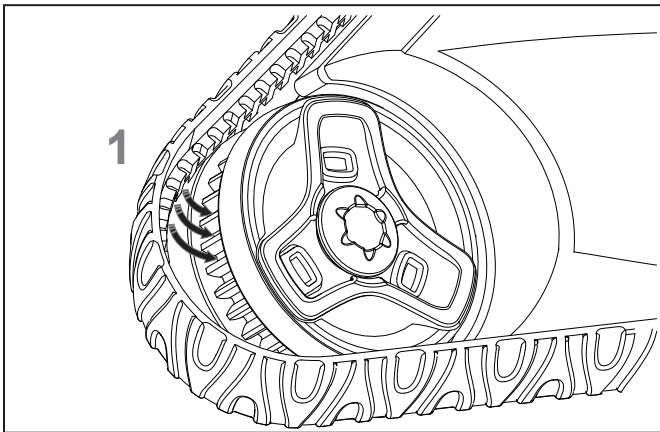


Figure 31. Position Track into Wheel Grooves

4. Stretch the track around the second wheel, then pull over the last wheel (see Figure 32). Push and position the rib of the track so that the track is seated properly in the groove of the wheel.

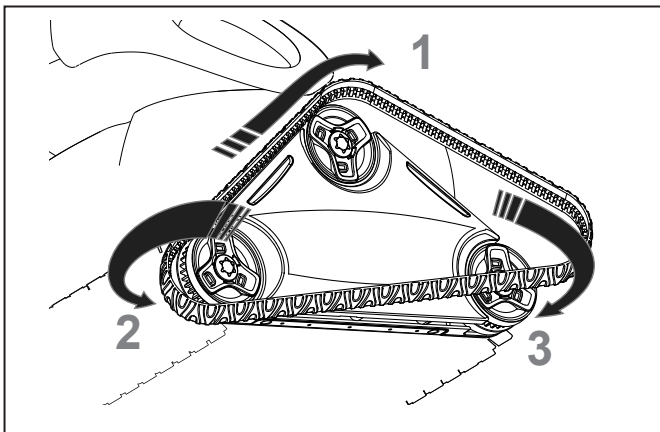


Figure 32. Stretch Track Around Wheels


5. Verify the rib of the track is positioned properly within the groove of each of the three wheels. If necessary, turn the wheels gently to seat track.

Section 6. Replacement Parts

The complete spare parts list and exploded view is available on the Polaris website at www.polarispool.com. In Canada, parts list and exploded view is available at www.polarispool.ca

Section 7. Troubleshooting

7.1 Using the Cleaner Error Indicator

The Cleaner Error Indicator  on the control unit flashes in a specific sequence to indicate one of three possible cleaner malfunctions.

Information LED Flashing	Solution
LED flashes once with one second interval.	Unplug the floating cable from the control unit and reconnect. If the problem is not resolved through troubleshooting, contact Polaris Technical Support at (USA) 1-800-822-7933; 1-888-647-4004 (Canada).
LED flashes twice with one second interval.	Turn cleaner wheels to ensure they are not jammed. Check brushes for debris. Start a new cleaning cycle. If the problem persists, contact Polaris Technical Support at (USA) 1-800-822-7933; 1-888-647-4004 (Canada).
LED flashes three times with one second interval.	Check the pump axis for debris. Check propellor for debris. Clean the filter. Start a new cleaning cycle. If the problem persists, contact Polaris Technical Support at (USA) 1-800-822-7933; 1-888-647-4004 (Canada).

7.2 General Troubleshooting

The following table lists some of the common symptoms, causes, and solutions for correcting cleaner operation problems.

Problem	Cause	Solution
The Cleaner Error Indicator flashes just after start (either pressing Power or Floor/Wall setting button for less than 20 seconds).	Floating cable may not be plugged into the control unit correctly.	Unplug floating cable from the control unit and reconnect.
	Cleaner may not be fully submerged.	Remove cleaner from the pool and re-submerge, see <i>Submerging the Cleaner</i> .
	Cleaner may need to be reset and begin a new cycle.	Press power button OFF, then Floor/Wall setting button to begin a new cycle.
	Propeller may be jammed and not turning correctly.	First contact your local retailer to request a diagnostic review, and if the problem is not resolved contact Polaris Technical Support at (USA) 1-800-822-7933.; 1-888-647-4004 (Canada).
	Tracks may be jammed and not turning correctly.	First contact your local retailer to request a diagnostic review, and if the problem is not resolved contact Polaris Technical Support at (USA) 1-800-822-7933.; 1-888-647-4004 (Canada).
The Cleaner Error Indicator flashes during the cleaning cycle.	Cleaner may be sucking air (lights will appear after 60 seconds air intake).	Remove cleaner from the pool and re-submerge, see <i>Submerging the Cleaner</i> .
The cleaner does not stay firmly on the pool bottom.	There is air in the appliance casing.	Remove cleaner from the pool and re-submerge, see <i>Submerging the Cleaner</i> .
	The filter canister is full or dirty.	Clean the filter canister, see <i>Cleaning the Filter Canister</i> .
	The impeller is damaged.	First contact your local retailer to request a diagnostic review, and if the problem is not resolved contact Polaris Technical Support at (USA) 1-800-822-7933.; 1-888-647-4004 (Canada).
The cleaner does not climb the pool walls or clean up to the waterline.	The filter canister is full or dirty.	Clean the filter canister, see <i>Cleaning the Filter Canister</i> .
	Walls of pool are slippery or slimy. Although the water seems clear, microscopic algae, invisible to the human eye, are present in the pool. As a result the pool walls become slippery and prevent the cleaner from climbing. Check tracks and brushes for wear and replace as necessary.	Adjust Surface Control System™ setting, see <i>Wall Cleaning</i> . Do a shock chlorination treatment to reduce the pH levels in the pool. DO NOT leave the cleaner in the pool during this treatment.
On startup the cleaner does not move.	No power supply to the cleaner.	Check that the outlet to which the control unit is connected is receiving electricity.
	Cleaner has shut down with error code or flashing lights.	Disconnect the control unit and wait at least 20 seconds before reconnecting. If the problem persists, contact Polaris Technical Support at 1-800-822-7933 (USA); 1-888-647-4004 (Canada).

Problem	Cause	Solution
Cleaner stops up to 20 seconds during cleaning cycle.	Cleaner is performing normal calibration operation.	No user action required. The pause does not affect the overall cleaning cycle.
Cable is tangling in the pool	Too much cable length in the water.	Do not unravel the entire cable. Use only the amount needed for the cleaner to cover the pool area. Place the remaining unused cable on the side of the pool. Follow the procedure in <i>Cord Tangling</i> to avoid and correct tangled cord.
The cleaner is not cleaning effectively.	The brushes have become smooth or the "wear" indicator shows.	Replace the brushes following the procedure in <i>Replacing the Brushes</i> .
	Filter canister is full or dirty.	Clean the filter canister following the procedure in <i>Cleaning the Filter Canister</i> .
	Floating cable is excessively coiled or kinked.	Make sure the floating cable is spread out over the pool. Ensure the cable is not too tightly wrapped or coiled when storing. If the problem persists, lay the cable straight in the sun to relax it and remove kinks. Follow the procedure in <i>Cord Tangling</i> to avoid and correct tangled cord.

NOTES

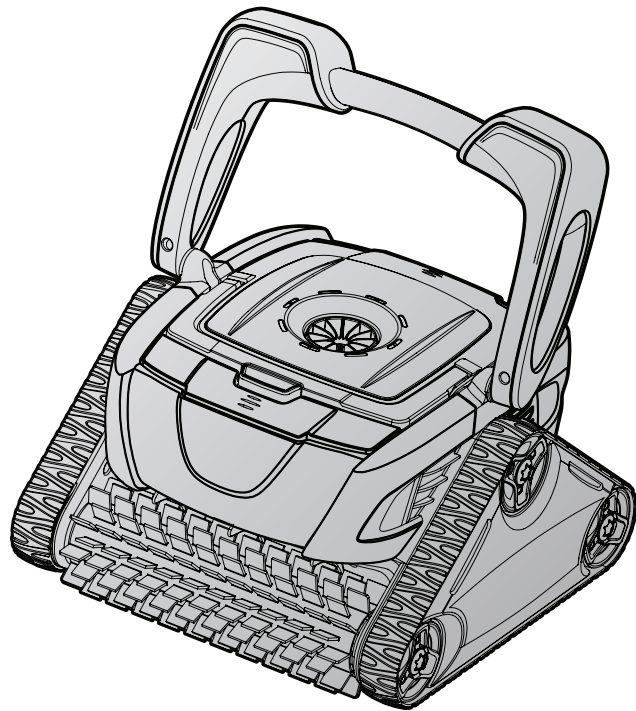
Zodiac Pool Systems, Inc.
2620 Commerce Way, Vista, CA 92081
1.800.822.7933 | www.ZodiacPoolSystems.com

POLARIS® and the Polaris 3-wheeled cleaner design are registered trademarks of Zodiac Pool Systems, Inc.

ZODIAC® is a registered trademark of Zodiac International, S.A.S.U., used under license. All other trademarks referenced herein are the property of their respective owners.

©2016 Zodiac Pool Systems, Inc. H0429900 Rev F





Robot nettoyeur de piscine **P825**

TYPE EM27--

MANUEL DU PROPRIÉTAIRE

▲ AVERTISSEMENT

POUR VOTRE SÉCURITÉ – Pour toute intervention autre que l'entretien de routine et la maintenance décrite dans ce manuel, ce produit doit être pris en charge par une entreprise autorisée et qualifiée pour la réparation des équipements de piscine par les provinces ou territoires où ledit produit est installé lorsque de telles exigences locales, provinciales ou territoriales sont édictées. Si aucune exigence locale, provinciale ou territoriale n'est disponible, l'agent d'entretien doit être un professionnel possédant suffisamment d'expérience dans l'installation et la maintenance de l'équipement de piscine pour appliquer correctement les consignes du présent manuel. L'installation ou l'utilisation inappropriée annulera la garantie.

Table des matières

Section 1. Consignes importantes de sécurité	23	4.6 Rinçage du robot nettoyeur	30
Section 2. Spécifications du robot nettoyeur	24	4.7 Nettoyage de la cartouche filtrante	30
Section 3. Assemblage et configuration	24	4.8 Entreposage du robot nettoyeur	32
3.1 Désemballage	24	Section 5. Entretien	32
3.2 Assemblage du chariot de transport	24	5.1 Démêlement du câble	33
3.3 Raccordement du module de commande au chariot	26	5.2 Remplacement des brosses	33
3.4 Raccordement à l'alimentation électrique	26	5.3 Remplacement des chenilles	34
Section 4. Fonctionnement	27	Section 6. Pièces de rechange	35
4.1 Module de commande du robot nettoyeur Polaris P825	28	Section 7. Dépannage	36
4.2 Immersion du robot nettoyeur	28	7.1 Utilisation de l'indicateur d'erreur du robot nettoyeur	36
4.3 Démarrage du robot nettoyeur	29	7.2 Dépannage général	37
4.4 Nettoyage des parois (Surface Control System™)	29		
4.5 Arrêt du robot nettoyeur et retrait de la piscine	30		

NOUS VOUS REMERCIONS D'AVOIR CHOISI LE ROBOT NETTOYEUR POLARIS.

VOTRE ROBOT NETTOYEUR POLARIS A ÉTÉ CONÇU ET FABRIQUÉ POUR ÊTRE INSTALLÉ FACILEMENT ET POUR DEMANDER UN ENTRETIEN MINIMAL. AVANT D'INSTALLER VOTRE NOUVEAU ROBOT NETTOYEUR POLARIS, VEUILLEZ SUIVRE LES ÉTAPES CI-DESSOUS :

- 1) Remplir et retourner le bon d'enregistrement de garantie.
- 2) Noter votre information d'achat dans les champs prévus ci-dessous.
- 3) Joindre votre facture (ou une copie) à cette page.

Le respect de ces étapes garantira un service rapide de garantie, le cas échéant. Si une réparation est requise, prière de communiquer avec votre détaillant d'origine. Si le détaillant d'origine ne remplit pas convenablement le service de garantie, prière de consulter www.polarispool.com pour localiser une société de services de réparation indépendante près de chez vous. Si vous ne parvenez pas à localiser une société de services de réparation, veuillez communiquer avec notre service du soutien technique au 1-800-822-7933.

NOTER LES RÉFÉRENCES DE VOTRE ROBOT NETTOYEUR POLARIS ICI :

Date d'achat _____ Lieu d'achat _____ Numéro de série : _____
(situé à l'avant de l'appareil)

Ville _____ État/Province/Territoire _____ Code postal _____

Section 1. Consignes importantes de sécurité

Nous vous félicitons d'avoir choisi le robot nettoyeur Polaris. Veuillez lire ce guide au complet avant d'installer votre nouveau robot nettoyeur de piscine. Le robot nettoyeur doit être installé et utilisé selon ces directives.

LIRE ET SUIVRE TOUTES LES DIRECTIVES

⚠ AVERTISSEMENT

Le non-respect des précautions suivantes pourrait provoquer des lésions permanentes, des décharges électriques ou la mort.

PRÉVENTION DES LES DÉCHARGES ÉLECTRIQUES

Pour réduire le risque de décharge électrique :

- Brancher l'appareil à une prise protégée par un disjoncteur de fuite à la terre (DFT). Un tel DFT doit être fourni par un installateur qualifié et être testé régulièrement. Pour tester le disjoncteur de fuite à la terre, appuyer sur le bouton TEST. Le disjoncteur de fuite à la terre doit couper l'alimentation électrique. Appuyer sur le bouton RESET (réinitialisation). L'alimentation électrique devrait être restaurée. Si le DFT ne fonctionne pas de cette façon, c'est qu'il est défectueux. Si le disjoncteur de fuite à la terre coupe l'alimentation de la pompe sans que le bouton TEST soit enfoncé, cela signifie qu'un courant à la terre circule et qu'une décharge électrique est possible. Ne pas utiliser ce produit. Débrancher le robot nettoyeur, puis faire corriger le problème par un technicien qualifié avant son utilisation.
- Conformément au code électrique national des États-Unis (National Electrical Code®; NEC®), garder le module de commande à une distance de 1,5 m (5 pi) du bord de l'eau (piscine/spa). Au Canada, le Code canadien de l'électricité (CCE) exige une distance minimale de 3 m (10 pi) entre le bord de la piscine et le module de commande. Ne jamais immerger le module de commande.
- Ne pas entrer dans la piscine alors que le robot nettoyeur Polaris est dans l'eau.
- Ne pas enterrer le cordon. Placer le cordon de manière à ce qu'il ne soit pas endommagé par une tondeuse à gazon, un taille-haie ou tout autre équipement.
- Pour réduire le risque de décharge électrique, ne pas utiliser le robot nettoyeur Polaris ou le module de commande si le cordon est usé ou endommagé. Communiquer avec le soutien technique de Zodiac Pool Systems, Inc. immédiatement pour un service adéquat et le remplacement du cordon endommagé.
- Double isolation – Pour une protection continue contre les décharges électriques possibles, n'utiliser que des pièces de rechange identiques lors des réparations. Ne pas essayer de réparer le robot nettoyeur Polaris, le module de commande, le cordon d'alimentation ou le câble flottant.
- NE JAMAIS OUVRIR LE MODULE DE COMMANDE.
- NE PAS UTILISER UNE RALLONGE AFIN DE BRANCHER L'APPAREIL À L'ALIMENTATION ÉLECTRIQUE; UTILISER UNE PRISE AVEC DISJONCTEUR DE FUITE À LA TERRE ADÉQUATEMENT SITUÉE. LE MODULE DE COMMANDE DOIT ÊTRE SITUÉ PRÈS DU BOÎTIER DE LA PRISE AVEC DISJONCTEUR DE FUITE À LA TERRE.

PRÉVENTION DES BLESSURES ET DES NOYADES DES ENFANTS

⚠ MISE EN GARDE

Le défaut de se conformer aux avertissements suivants pourrait entraîner des dommages à l'équipement de la piscine ou causer des blessures.

- Le robot nettoyeur Polaris doit être installé et utilisé selon ces directives.
- Ce produit est destiné à une utilisation dans des piscines installées de manière permanente. Ne pas utiliser dans des piscines pouvant être rangées. Une piscine permanente est construite dans le sol, sur le sol ou dans un bâtiment et ne peut pas être facilement démontée et rangée. Une piscine pouvant être rangée est conçue pour être facilement démontée et entreposée, puis remontée à son état initial.
- Nettoyer la cartouche filtrante du robot nettoyeur Polaris après chaque utilisation.

⚠ MISE EN GARDE

UTILISATION DU ROBOT NETTOYEUR POLARIS DANS UNE PISCINE À REVÊTEMENT INTÉRIEUR EN VINYLE

Certains motifs de revêtement intérieur en vinyle peuvent s'user rapidement en raison d'objets qui entrent en contact avec la surface, dont des brosses de nettoyage, des jouets pour la piscine, des flotteurs, des fontaines, des distributeurs de chlore et des nettoyeurs automatiques de piscine. Certains motifs du revêtement en vinyle peuvent être gravement rayés ou éraflés sous l'action d'une brosse pour piscine. L'encre du motif peut également s'effacer pendant le processus d'installation ou au contact d'objets dans la piscine. Zodiac Pool Systems, Inc. n'est pas responsable des motifs effacés, des abrasions ou des marques sur les revêtements en vinyle et sa garantie limitée ne couvre pas de tels dommages.

CONSERVER CES DIRECTIVES

Section 2. Spécifications du robot nettoyeur

Tension d'alimentation du boîtier de commande	100-240 Vca, 60 Hz
Tension d'alimentation	30 Vcc
Puissance installée	150 W max
Longueur du câble	50 pi (15 m)
Dimensions du robot nettoyeur (L x P x H)	16 x 16,5 x 10 po (41 x 42 x 25 cm)
Poids du robot nettoyeur	20 lb (9 kg)
Filtration	Cartouche filtrante tout usage
Durées de cycle	1,5 h au fond seulement

Le robot nettoyeur est un produit à double isolation. Un appareil électrique à double isolation n'exige pas d'être installé avec une mise à la terre. La condition nécessaire à l'efficacité de la double isolation est qu'aucune panne n'entraîne l'exposition d'une tension dangereuse pouvant causer une décharge électrique. Cette condition est satisfaite sans avoir à utiliser un cuvelage de métal mis à la terre. Elle est réalisée par deux (2) couches de matériau isolant autour des composants sous tension ou par une isolation renforcée. Par conséquent, les appareils à double isolation, comme ce robot nettoyeur, n'utilisent pas de fiche mise à la terre (à trois broches).

Français

Section 3. Assemblage et configuration

3.1 Désemballage

Les articles suivants devraient se trouver dans la boîte :

- Robot nettoyeur et câble d'alimentation flottant
- Module de commande avec câble d'alimentation
- Pièces d'assemblage du chariot de transport et de rangement (Illustration 1)
 - (a) cadre de manutention
 - (b) blocs de soutien (x 2)
 - (c) roues (x 2)
 - (d) attaches de blocage des roues (x 2)
 - (e) essieu/enjoliveur (x 2)
 - (f) module de base
 - (g) poignée du robot nettoyeur

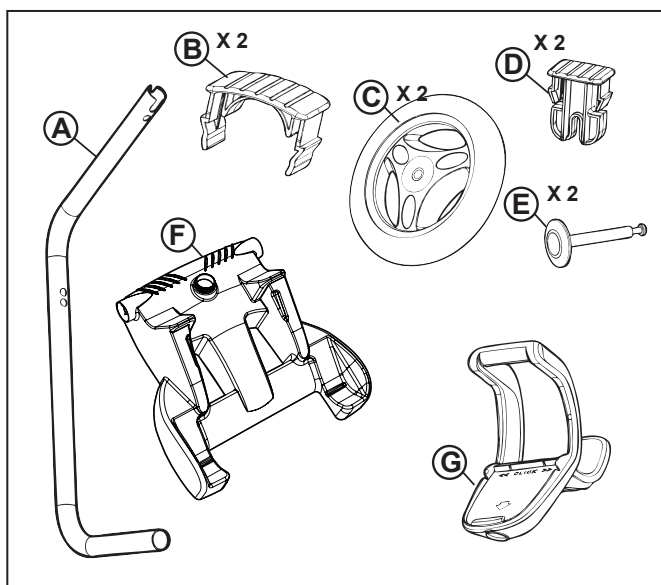


Illustration 1.
Pièces d'assemblage du chariot de transport

En déballant le robot nettoyeur et ses pièces :

- S'assurer que chaque pièce est présente dans la boîte.
- S'assurer que le robot nettoyeur et les pièces ne sont pas endommagés.
- Si des pièces sont manquantes ou endommagées, communiquer avec le soutien technique Polaris :
É.-U. 1-800-822-7933
Canada 1-888-647-4004

3.2 Assemblage du chariot de transport

1. Dévisser l'écrou à main du module de base (Illustration 2).

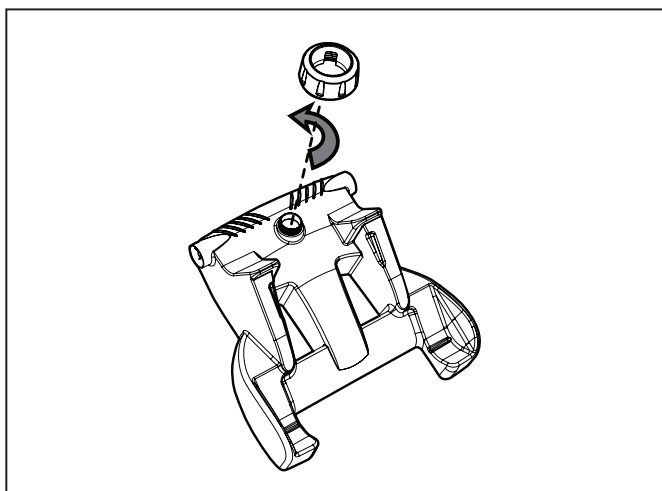


Illustration 2.
Retirer l'écrou à main du module de base

2. Insérer la tige de métal du cadre de manutention dans le module de base en positionnant

l'extrémité avec encoche vers le haut, puis tourner pour que les coudes ne soient pas orientés dans votre direction. (Illustration 3).

3. Pousser l'unité de base vers le bas (Illustration 3) pour asseoir la tige de métal du cadre de manutention dans le renforcement situé sous la base.

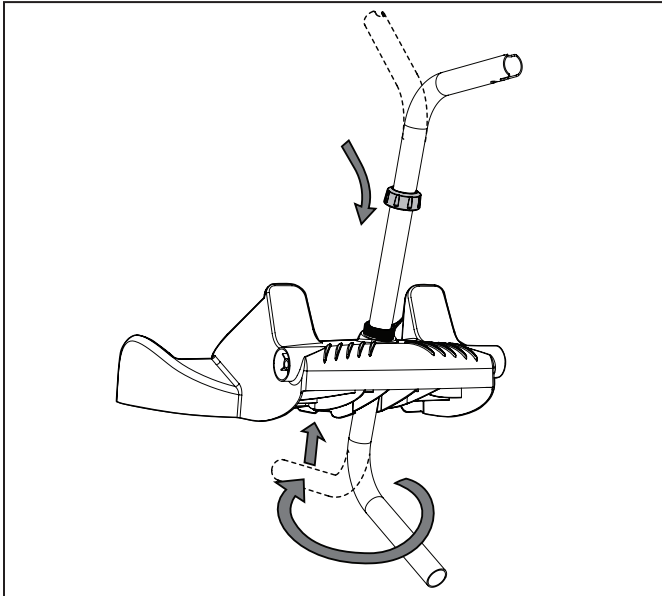


Illustration 3.
Raccorder le cadre de métal au module de base

4. Glisser l'écrou à main sur la tige et tourner pour le serrer sur l'unité de base (Illustration 4).

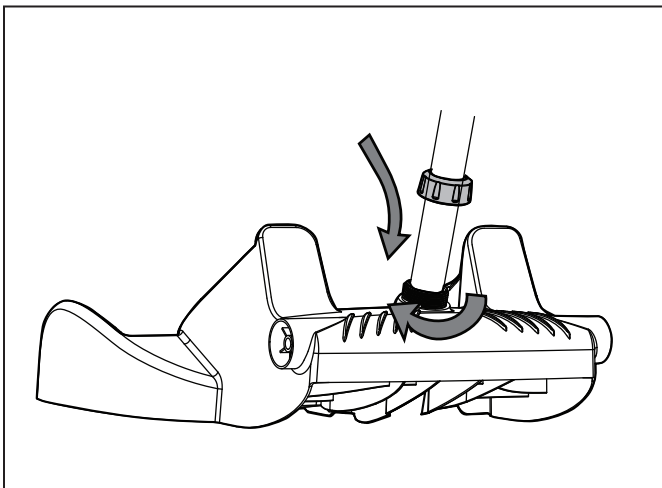


Illustration 4.
Tourner l'écrou à main pour verrouiller le cadre

5. Mettre en place deux (2) blocs de soutien (Illustration 5).
6. Glisser l'essieu et l'enjoliveur dans le centre de la roue et les fixer au module de base. Mettre

en place l'attache de blocage pour fixer la roue. Répéter pour les deux roues (Illustration 5).

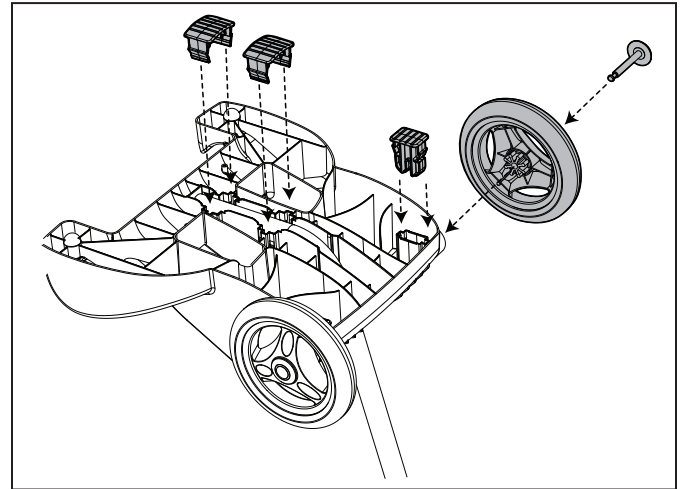


Illustration 5.
Encliqueter les blocs de soutien et fixer les roues

7. Glisser le module de base/l'accessoire de la poignée du chariot vers le bas, le long du tube en métal, jusqu'à ce qu'il s'encliquette en place. (Voir Illustration 6).

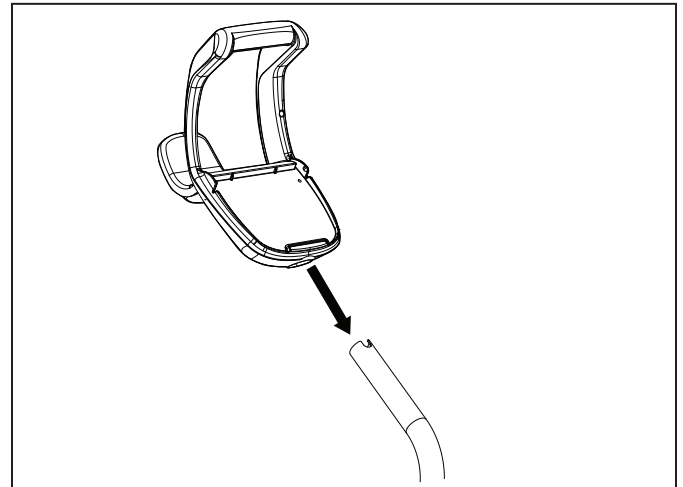


Illustration 6.
Fixer la poignée du chariot

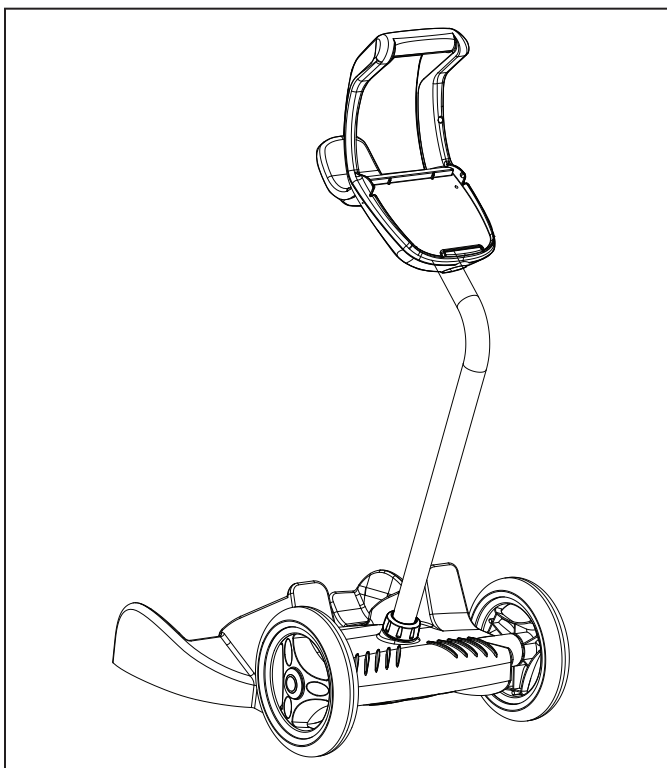


Illustration 7.
Chariot de transport complètement assemblé

3.3 Raccordement du module de commande au chariot

1. Aligner le dessous du module de commande sur l'encoche au bas de l'attache du module de commande sur le chariot (Illustration 8).

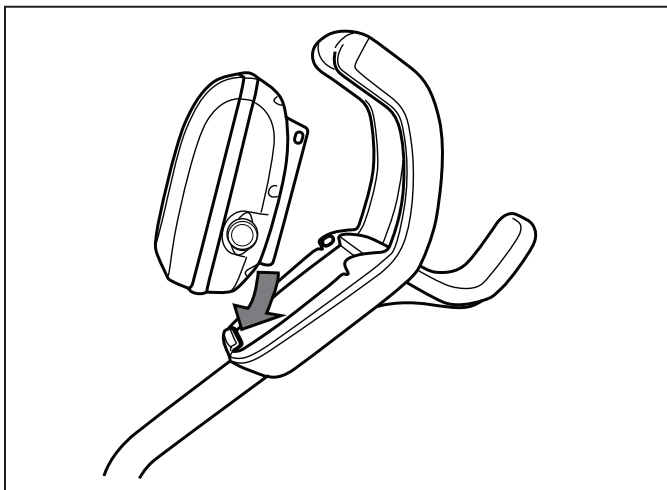


Illustration 8.
Aligner le module de commande sur l'attache du chariot

2. Exercer une pression sur le module de commande jusqu'à ce qu'il s'encliquette et se verrouille en position sur l'attache du chariot (Illustration 9).

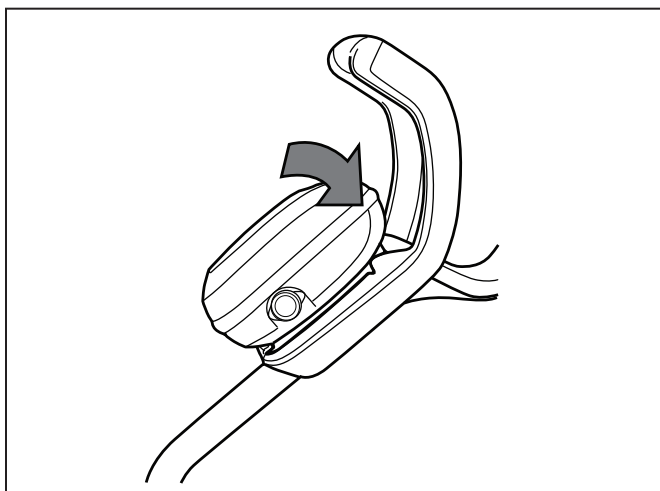


Illustration 9.
Fixer le module de commande au chariot

3.4 Raccordement à l'alimentation électrique

⚠ AVERTISSEMENT

Si les précautions suivantes ne sont pas observées, il y a risque de lésions permanentes, de décharge électrique ou de noyade.

PRÉVENTION DES DÉCHARGES ÉLECTRIQUES

- **ÉTATS-UNIS** : Conformément au code électrique national des États-Unis (NEC®), garder le module de commande à une distance minimale de 1,5 m (5 pi) du bord de la piscine.
- **CANADA** : Conformément aux exigences de la CCE, garder le module de commande à une distance minimale de 3 m (10 pi) du bord de la piscine.
- Ne raccorder le module de commande qu'à une prise de courant protégée par un disjoncteur de fuite à la terre. Consulter un électricien certifié pour savoir si la prise est protégée par un disjoncteur de fuite à la terre (DFT).
- Ne pas utiliser de rallonge pour raccorder le module de commande.
- Interdire à toute personne de se baigner lorsque le robot nettoyeur est dans la piscine.

Pour effectuer le branchement :

- Tourner le câble d'alimentation pour que le mot TOP (dessus) apparaisse vers le haut. Appuyer fermement le câble d'alimentation contre le module de commande jusqu'à ce qu'un clic se fasse entendre (voir Illustration 10). Le clic indique que le câble d'alimentation est correctement branché et forme un sceau étanche.

Section 4. Fonctionnement

⚠ MISE EN GARDE

Pour prévenir les dommages au robot nettoyeur, suivre les directives ci-dessous :

- Retirer le nettoyeur de la piscine une fois le cycle de nettoyage terminé et le ranger sur le chariot à l'abri du soleil et des intempéries.
- Ne jamais retirer le robot nettoyeur de la piscine en tirant sur le câble flottant. Toujours utiliser la poignée pour retirer le robot nettoyeur de la piscine.
- Faire preuve de prudence en sortant le robot nettoyeur de la piscine. Ce dernier est plein d'eau, donc plus lourd.

IMPORTANT

- Assurez-vous toujours que la tête du robot nettoyeur est complètement immergée avant de le faire démarrer.
- Nettoyer la cartouche filtrante après chaque cycle de nettoyage.
- Ne pas laisser le robot nettoyeur dans la piscine en permanence.
- À la fin de chaque cycle, retirer le robot nettoyeur de la piscine. Commencer à la tête du robot nettoyeur et démêler tous les nœuds dans le câble avant de ranger le robot nettoyeur.

Lorsque le module de commande est allumé et que le câble flottant est attaché, le temps de fonctionnement du cycle sélectionné est affiché.

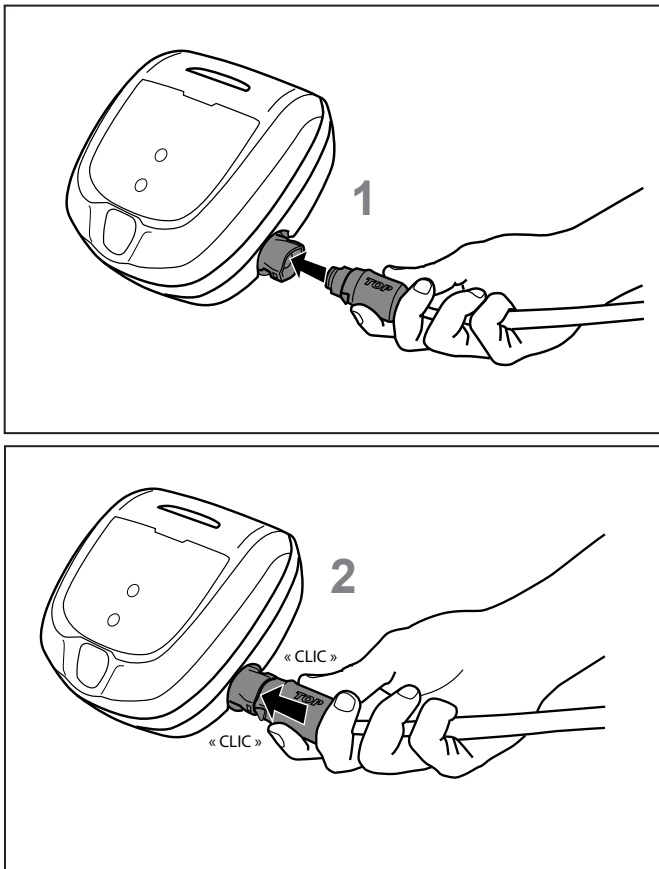


Illustration 10.
Brancher le câble d'alimentation

Pour débrancher le câble :

- Empoigner le câble d'alimentation fermement de chaque côté et appuyer sur les deux languettes pour le dégager (voir Illustration 11).

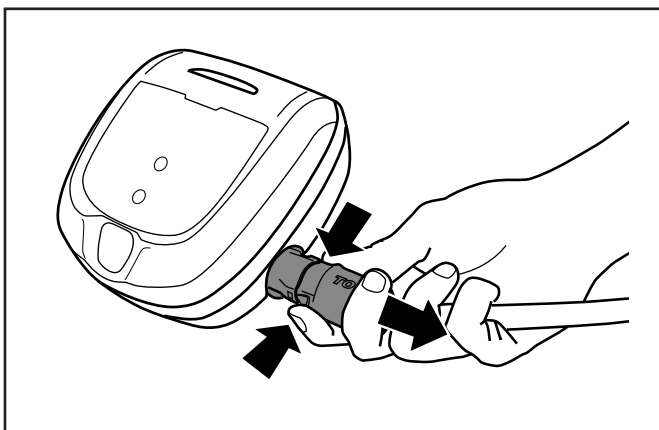
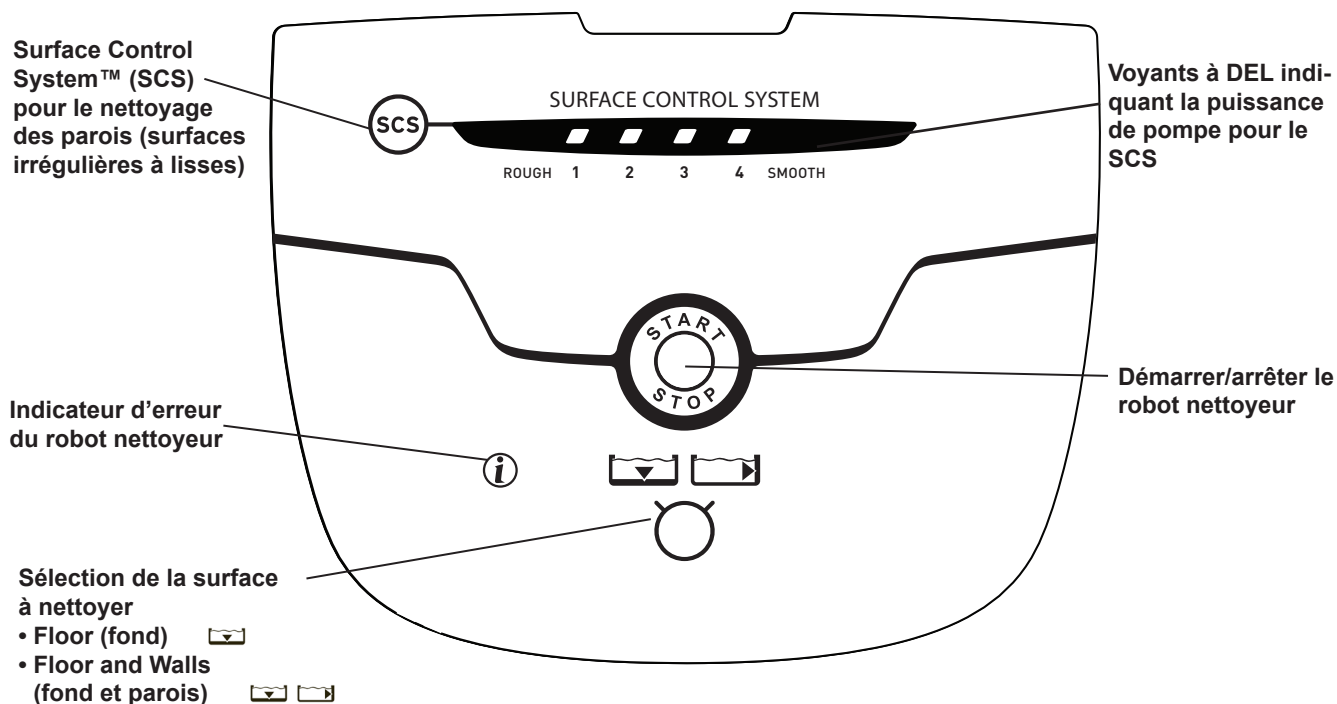


Illustration 11.
Débrancher le câble d'alimentation

4.1 Module de commande du robot nettoyeur Polaris P825



4.2 Immersion du robot nettoyeur

1. Immerger le robot nettoyeur à la verticale (1) et le maintenir sous la surface en le déplaçant doucement latéralement (2) jusqu'à ce que vous ne voyiez plus de bulles se former, afin de retirer l'air se trouvant à l'intérieur (voir Illustration 12).
2. Lorsque des bulles ont cessé de se former, laisser le robot nettoyeur couler au fond de la piscine.
3. Vérifier que le robot nettoyeur se trouve au fond de la piscine. Retirer l'air restant si le robot nettoyeur flotte toujours.

REMARQUE : Le côté câble du robot nettoyeur demeure relevé tant que la pompe est ÉTEINTE. Dès que vous allumez la pompe, la poignée s'abaisse.

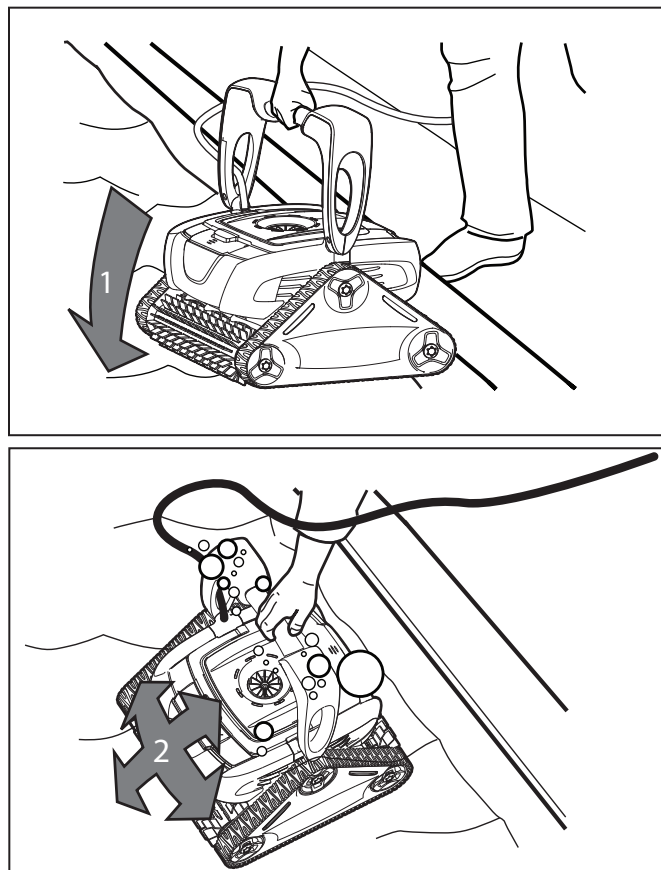


Illustration 12.
Immerger et retirer l'air

- Étendre le câble flottant sur l'eau de la piscine et s'assurer que le câble n'est pas coudé ni emmêlé (voir Illustration 13).

REMARQUE : Pour obtenir une configuration optimale et réduire les risques d'emmêlement, le câble flottant doit pénétrer dans l'eau vers le milieu de la longueur de la piscine. Ne placez dans l'eau qu'une longueur suffisante de câble permettant d'atteindre le point le plus éloigné de la piscine (voir l'illustration 13).

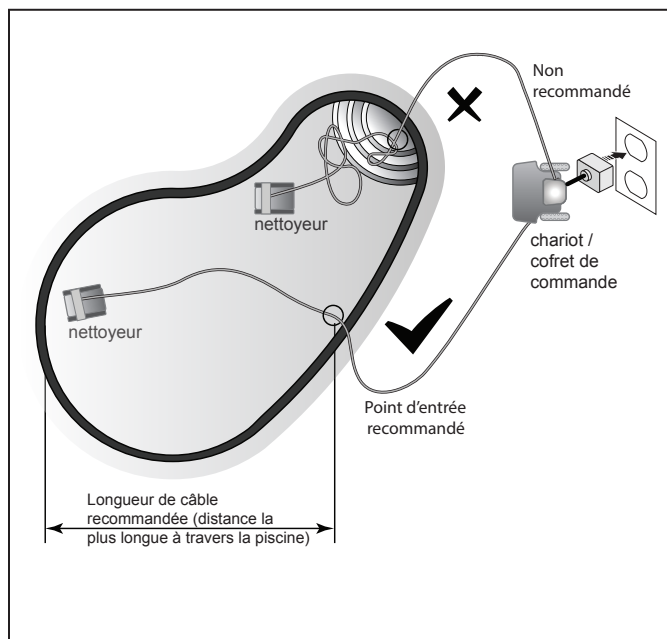


Figure 13. Configuration optimale

4.3 Démarrage du robot nettoyeur

À votre première utilisation du robot nettoyeur, la surface de nettoyage sélectionnée est Floor and Walls (fond et parois).

Après la première utilisation, la valeur par défaut est le dernier paramètre utilisé.

Sélectionner la surface à nettoyer :

- Utiliser pour modifier le paramètre de la surface à nettoyer.

Démarrer le nettoyage :

- Après avoir sélectionné la surface à nettoyer,

appuyer sur pour mettre en marche l'appareil.

- Au début du cycle, le robot nettoyeur demeure en place quelques secondes afin d'initialiser le microcontrôleur après le démarrage de la pompe.

REMARQUE :

Periodiquement le robot nettoyeur se met en pause jusqu'à 20 secondes tout au long du cycle de nettoyage. Le nettoyeur est en train de calibrer sa position dans la piscine pendant ce temps. C'est le fonctionnement normal et le nettoyeur va reprendre le mouvement immédiatement après le calibration sans action requis de l'utilisateur. La pause n'affecte pas le cycle de nettoyage.

4.4 Nettoyage des parois (Surface Control System™)

Le robot nettoyeur est capable de nettoyer les parois de la piscine jusqu'à la surface de l'eau. La prise nécessaire pour que le robot nettoyeur adhère à la paroi dépend de la surface à escalader.

Indicateur d'intensité de la prise :

Les paramètres du système de contrôle de surface (SCS) suivants s'appliquent aux divers types de surface :

- 1 Surface de cailloux (IRRÉGULIÈRE)
- 2 Ciment
- 3 Vinyle/fibre de verre
- 4 Tuile (LISSE)

Vérifier le paramètre d'escalade des parois :

- Activer le robot nettoyeur et observer son ascension sur chaque paroi. Si la prise est adéquate, le robot nettoyeur escaladera facilement la paroi pour nettoyer jusqu'à la surface de l'eau. Le paramètre par défaut est .

REMARQUE :

L'escalade des parois est programmée pour un tracé aléatoire. Le robot nettoyeur peut escalader une paroi sans atteindre la surface de l'eau avant la troisième ou quatrième ascension, afin de bien nettoyer la partie de la paroi se trouvant sous la surface de l'eau.

- Ajuster le paramètre d'escalade des parois au besoin selon les indications suivantes :

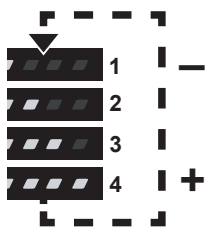
Augmenter : si le robot nettoyeur escalade les parois lentement et n'atteint jamais la surface de l'eau.

Diminuer : si le robot nettoyeur escalade les parois trop rapidement et aspire de l'air à la surface de l'eau.


Ajuster le paramètre d'escalade SCS :

Vous pouvez modifier le paramètre d'escalade des parois en tout temps durant le fonctionnement du robot nettoyeur à l'aide du bouton SCS. Le nouveau paramètre sera actif lorsque le robot nettoyeur commencera l'ascension de la prochaine paroi.

- Appuyer sur **(SCS)** pour ajuster le paramètre d'escalade des parois d'un degré vers le haut.
- Un voyant à DEL supplémentaire s'allume chaque fois que vous appuyez sur le bouton afin d'indiquer une prise plus solide contre le mur.
- Pour diminuer le paramètre, appuyer sur le bouton jusqu'à ce qu'un seul voyant à DEL s'affiche (paramètre le plus bas).



4.5 Arrêt du robot nettoyeur et retrait de la piscine

1. Si le robot nettoyeur est toujours en fonctionnement, appuyer sur  pour interrompre son fonctionnement. Si le cycle de nettoyage est terminé, commencer à l'étape 2.
2. Lorsque le robot nettoyeur est à portée de main, tirer doucement sur le câble flottant pour soulever la poignée du robot nettoyeur. Utiliser la poignée pour sortir le robot nettoyeur de l'eau (voir Illustration 14). Ne jamais retirer le robot nettoyeur de la piscine en tirant sur le câble flottant.

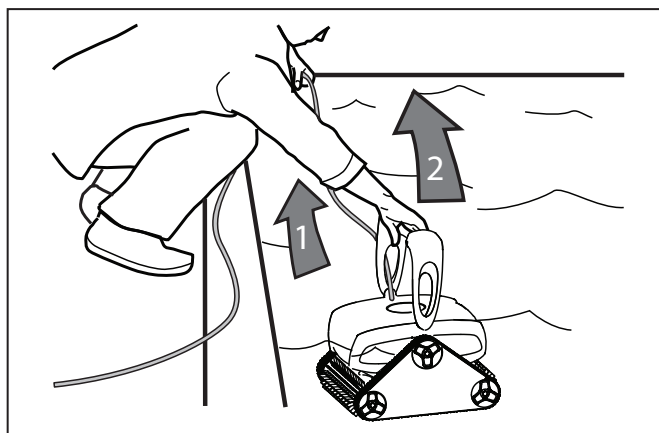


Illustration 14.

Retirer le robot nettoyeur de la piscine

3. Tenir le robot nettoyeur à la verticale au-dessus de la piscine pour en évacuer l'eau avant de le déplacer (voir Illustration 15).

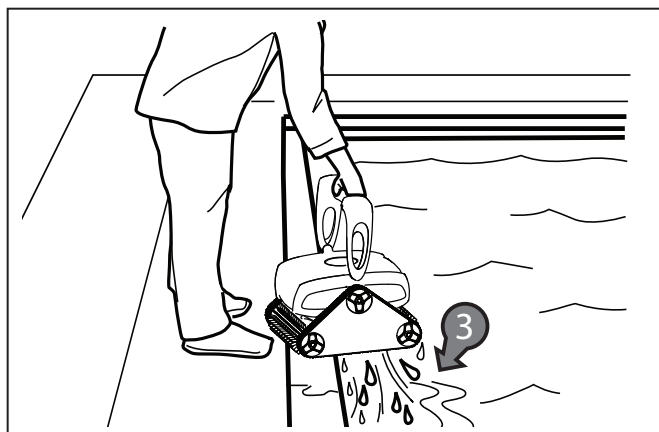


Illustration 15.

Retirer le robot nettoyeur de la piscine

4.6 Rinçage du robot nettoyeur

Rincer le robot nettoyeur après chaque cycle de nettoyage. Utiliser de l'eau légèrement savonneuse, puis rincer généreusement à l'eau propre. Ne pas utiliser de solvants comme de l'acétone ou un produit équivalent. Ne pas laisser sécher le robot nettoyeur au soleil près de la piscine.

4.7 Nettoyage de la cartouche filtrante

Veiller à vider et à nettoyer la cartouche filtrante à la fin de chaque cycle de nettoyage.

⚠ AVERTISSEMENT

Pour éviter une décharge électrique et d'autres risques qui pourraient avoir comme conséquence des lésions graves ou la mort, débrancher le robot nettoyeur de l'alimentation avant d'effectuer le nettoyage et l'entretien.

1. Débrancher l'alimentation du robot nettoyeur au module de commande. Débrancher le module de commande de l'alimentation.
2. Appuyer sur le bouton PUSH 'N' GO® pour dégager la poignée de la cartouche filtrante (voir Illustration 16).

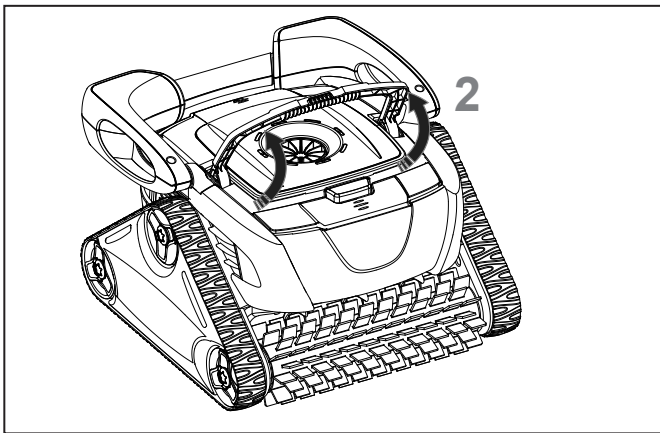
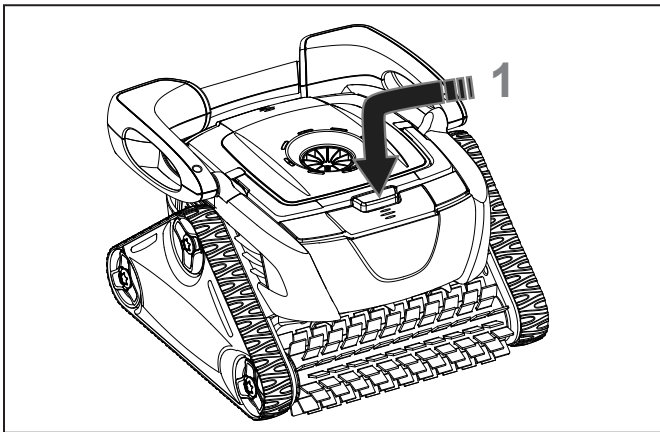


Illustration 16.
Dégager la poignée de la cartouche filtrante

3. Empoigner la poignée de la cartouche filtrante et soulever pour retirer la cartouche (voir Illustration 17).

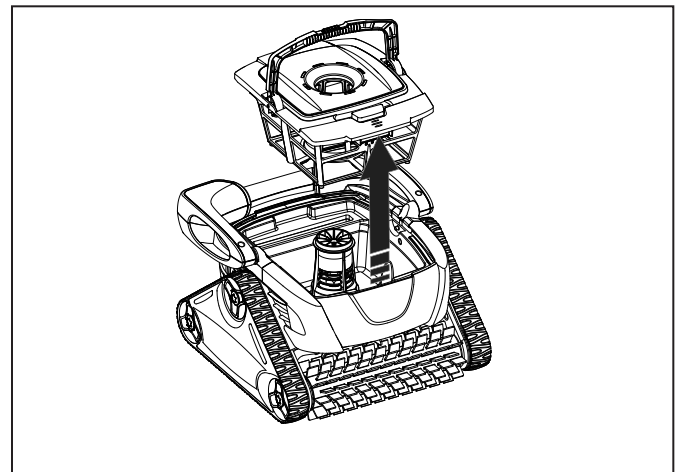


Illustration 17.

4. Appuyer sur les deux fermoirs (1) et retirer le couvercle de la cartouche filtrante (2) (voir Illustration 18).

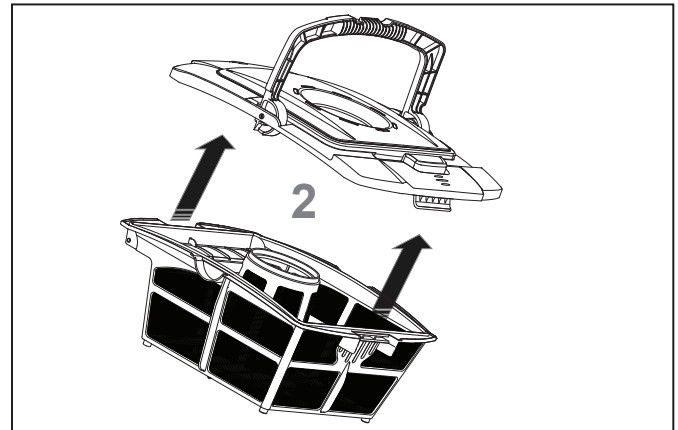
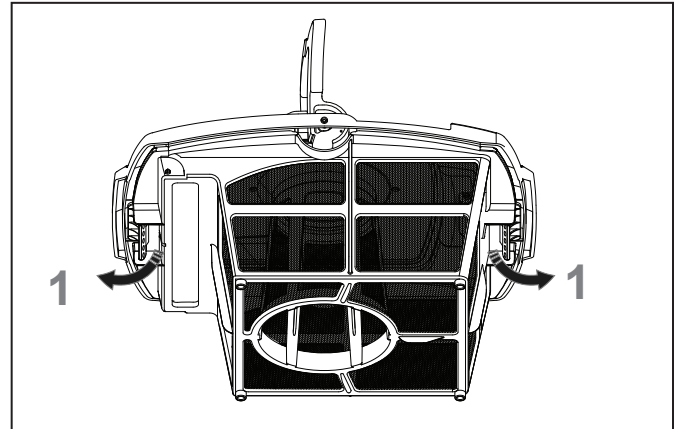


Illustration 18.
Retirer le couvercle de la

5. À l'aide d'un boyau d'arrosage et d'eau propre, rincer la cartouche filtrante et son couvercle pour en retirer tous les débris (voir Illustration 19).

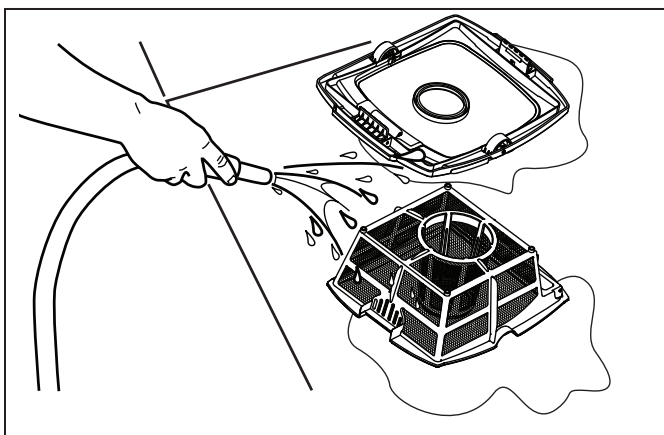


Illustration 19.

6. Remettre le couvercle sur la cartouche, puis remettre la cartouche en place dans l'appareil.

4.8 Entreposage du robot nettoyeur

Le robot nettoyeur doit être lavé régulièrement à l'eau propre légèrement savonneuse. Ne pas utiliser de solvants comme de l'acétone ou un produit équivalent. Rincer le robot nettoyeur abondamment avec de l'eau propre. Ne pas laisser sécher le robot nettoyeur au soleil près de la piscine. Le robot nettoyeur doit être rangé sur son chariot pour sécher rapidement.

1. Commencer par la tête de nettoyage. Défaire tous les nœuds du câble (voir Illustration 20).

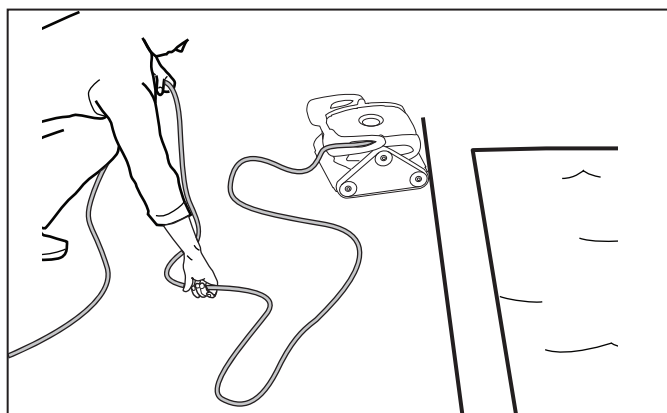


Illustration 20.

2. Placer le robot nettoyeur en position verticale sur la base du chariot en plaçant les chenilles arrière sur les cales latérales du chariot (voir Illustration 21).
3. Enrouler le câble sans serrer en commençant au robot nettoyeur et en allant vers le point de raccordement du module de commande. Ranger

le câble en l'enroulant autour du crochet situé à l'avant du chariot (voir Illustration 21).

4. Débrancher le câble du module de commande et l'enrouler librement autour du crochet du chariot.
5. Si vous avez retiré le module de commande du chariot, remettre en place le module de commande en alignant le bas de celui-ci et l'encoche du chariot, puis en l'accrochant au chariot et en appuyant fermement jusqu'à ce qu'un clic se fasse entendre.

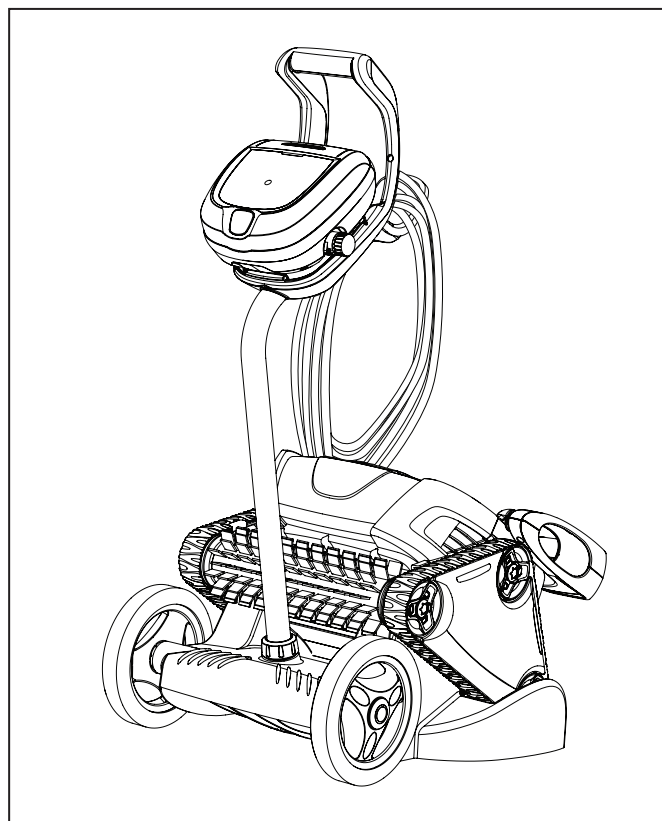


Illustration 21.

Robot nettoyeur rangé correctement sur le chariot

Section 5. Entretien

AVERTISSEMENT

Pour éviter une décharge électrique et d'autres risques qui pourraient avoir comme conséquence des lésions graves ou la mort, débrancher le robot nettoyeur de l'alimentation avant d'effectuer le nettoyage et l'entretien.

5.1 Démêlement du câble

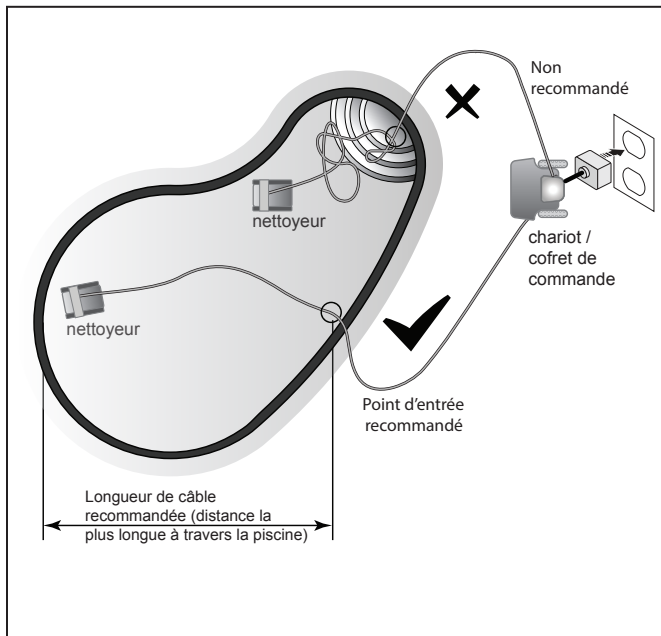


Illustration 22. Vérifier le longueur de câble recommandé

IMPORTANT

Le câble flottant du robot peut s’emmêler si les procédures ne sont pas adéquatement suivies après chaque cycle de nettoyage.

Ne pas laisser le robot nettoyeur sans surveillance pendant une période prolongée et respecter la procédure ci-dessous pour éviter un emmêlement excessif.

Après chaque cycle de nettoyage :

1. Débrancher l’alimentation du robot nettoyeur au module de commande.
2. Retirer le robot nettoyeur de la piscine et démêler tous les plis et les nœuds dans le câble flottant, en commençant à la tête du robot nettoyeur (voir Illustration 23).
3. Rebrancher le câble d’alimentation au module de commande et ranger le robot nettoyeur sur le chariot, à l’abri du soleil, jusqu’à la prochaine utilisation.

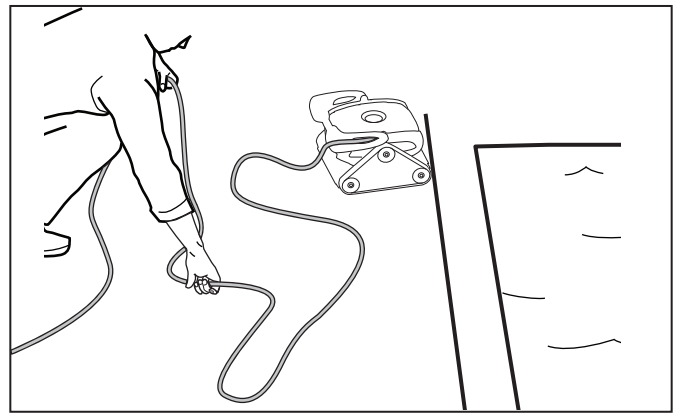


Illustration 23.

5.2 Remplacement des brosses

Le robot nettoyeur est équipé de brosses en PVC à l’avant et à l’arrière. Des rainures surélevées se trouvent sur les brosses, près des connecteurs, pour servir de témoins d’usure (voir Illustration 24). En s’usant, la rainure de la brosse s’aplatira et tendra à disparaître. Pour maintenir le rendement optimal du robot nettoyeur, il faut remplacer les brosses dès qu’un des témoins d’usure devient lisse ou usé (même si l’usure de la lame n’est pas uniforme). Nous recommandons de remplacer les brosses tous les deux (2) ans.

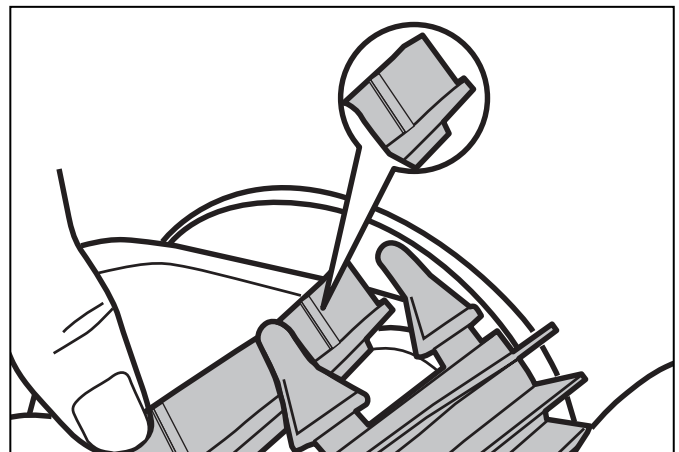


Illustration 24. Témoins d’usure

1. Placer le robot nettoyeur sur sa face arrière en position verticale (voir Illustration 25).

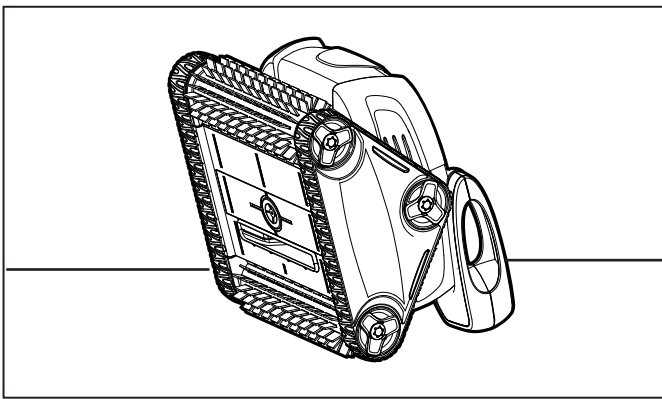


Illustration 25.

2. Séparer les bords de la brosse, détacher les languettes et retirer la brosse usée.
3. Placer la nouvelle brosse sous le rouleau, les pointes orientées vers le bas (voir Illustration 26).

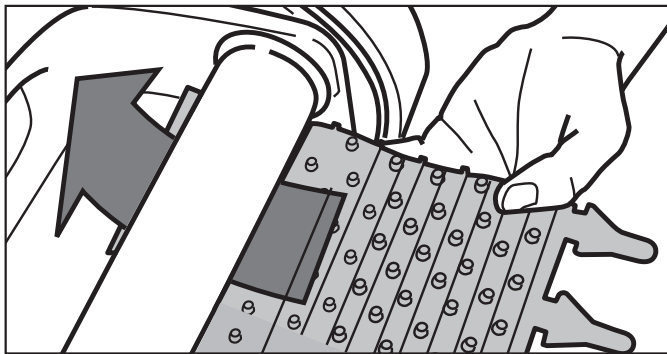


Illustration 26.

Placer la nouvelle brosse sur le rouleau

4. Enfiler doucement chaque languette à travers la fente, de manière à ce que le talon ressorte de l'autre côté de l'ouverture (voir Illustration 27).

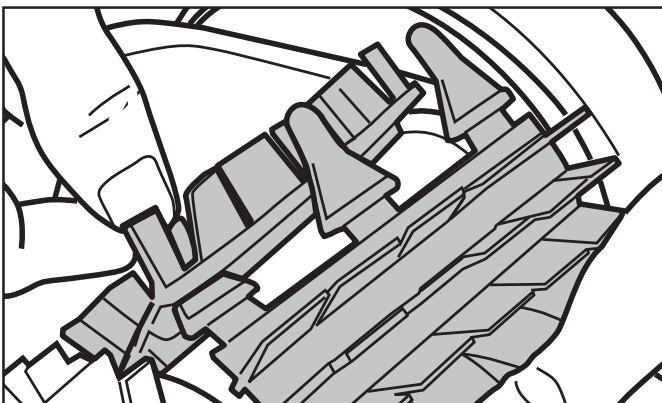


Illustration 27.

5. Utiliser des ciseaux pour couper les languettes afin qu'elles ne dépassent pas les pointes (voir Illustration 28).

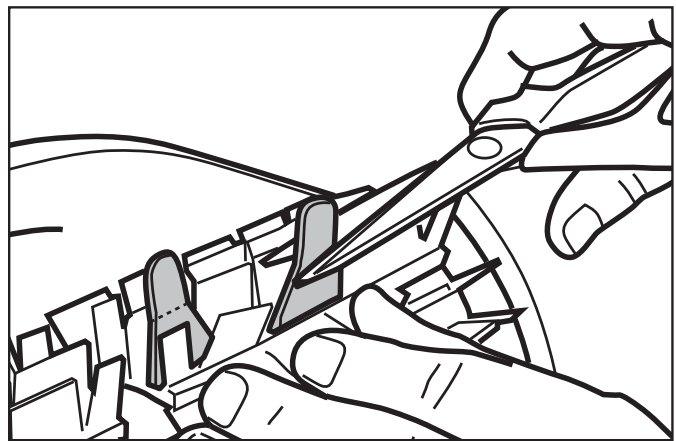


Illustration 28.

6. Répéter les mêmes étapes pour remplacer la deuxième brosse.

5.3 Remplacement des chenilles

1. Mettre le robot nettoyeur sur le côté (voir Illustration 29).

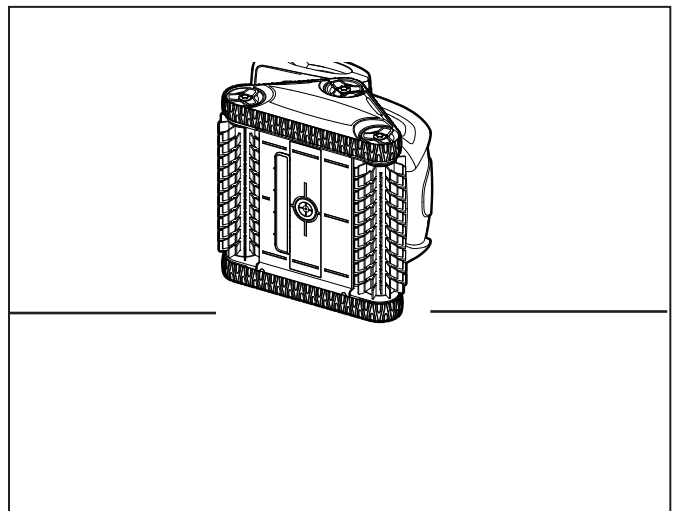


Illustration 29.

Mettre le robot sur le côté

2. En commençant à l'une des roues, tirer sur l'intérieur de la chenille pour dégager le pourtour du pneu de la roue (voir Illustration 30). Retirer la chenille du robot nettoyeur.

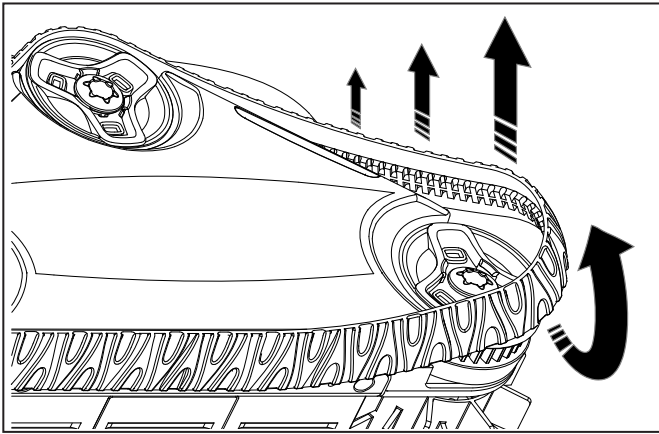


Illustration 30.
Tirer la chenille par-dessus les roues

3. Pour installer une nouvelle chenille, placer la nervure intérieure de la chenille dans la rainure de la première roue (voir Illustration 31).

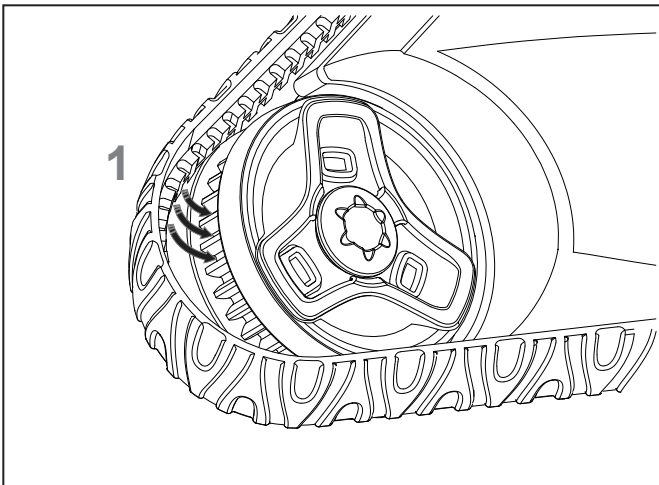


Illustration 31.
Placer la chenille dans les rainures des roues

4. Étirer la chenille autour de la seconde roue, puis l'étirer sur la dernière roue (voir Illustration 32). Pousser, puis placer la nervure de la chenille de façon à bien l'insérer dans la rainure de la roue.

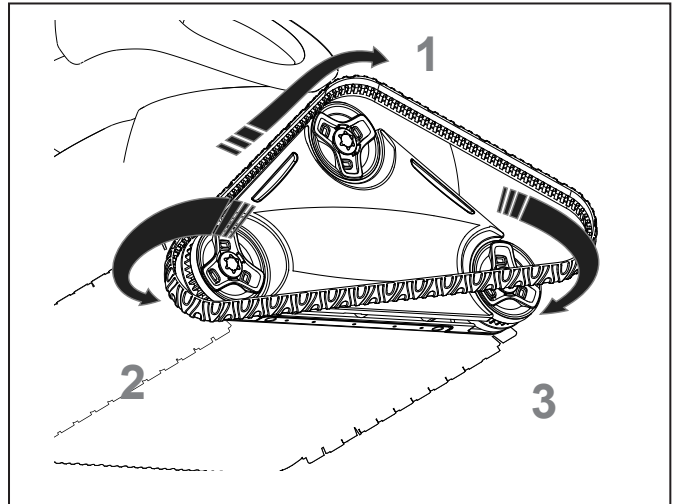


Illustration 32.
Étirer la chenille autour des roues


5. Vérifier que la nervure de la chenille est bien ancrée dans la rainure de chacune des trois roues. Au besoin, tourner doucement les roues pour positionner la chenille.

Section 6. Pièces de rechange

La liste complète des pièces de rechange et la vue éclatée sont accessibles sur le site Web de Polaris à www.polarispool.com. Au Canada, la liste des pièces et la vue éclatée sont accessibles à www.polarispool.ca.

Section 7. Dépannage

7.1 Utilisation de l'indicateur d'erreur du robot nettoyeur

L'indicateur d'erreur du robot nettoyeur sur  le module de commande clignote à un rythme précis parmi trois possibilités selon le problème rencontré par le robot nettoyeur.

Le voyant d'information à DEL clignote	Solution
Le voyant d'information à DEL clignote une fois toutes les secondes.	Débrancher le câble flottant du module de commande, puis le rebrancher. Si la procédure de dépannage ne résout pas le problème, communiquer avec le soutien technique Polaris au 1-800-822-7933 (É.-U.); 1-888-647-4004 (Canada).
Le voyant clignote deux fois toutes les secondes.	Faire tourner les roues du robot nettoyeur pour s'assurer qu'elles ne sont pas coincées. Vérifier qu'il n'y a pas de débris coincés dans les brosses. Lancer un nouveau cycle de nettoyage. Si le problème persiste, communiquer avec le soutien technique Polaris au 1-800-822-7933 (É.-U.); 1-888-647-4004 (Canada).
Le voyant à DEL clignote trois fois toutes les secondes.	Vérifier que l'axe de la pompe ne contient pas de débris. Vérifier si la turbine comporte des débris. Nettoyer le filtre. Lancer un nouveau cycle de nettoyage. Si le problème persiste, communiquer avec le soutien technique Polaris au 1-800-822-7933 (É.-U.); 1-888-647-4004 (Canada).

7.2 Dépannage général

Le tableau suivant énumère quelques-uns des symptômes courants pouvant être rencontrés lors du fonctionnement du robot nettoyeur et indique leurs causes et les solutions.

Problème	Cause	Solution
L'indicateur d'erreur du robot nettoyeur clignote juste après le démarrage (en appuyant sur Power [alimentation] ou sur le bouton du paramètre Floor/Wall [fond/parois] pendant moins de 20 secondes).	Il se peut que le câble flottant soit incorrectement branché au module de commande.	Débrancher le câble flottant du module de commande, puis le rebrancher.
	Il se peut que le robot nettoyeur ne soit pas immergé complètement.	Retirer le robot nettoyeur de la piscine et l'immerger à nouveau; voir <i>Immersion du robot nettoyeur</i> .
	Le robot nettoyeur pourrait avoir besoin d'être réinitialisé et de démarrer un nouveau cycle.	Mettre le bouton d'alimentation à OFF (éteint), puis appuyer sur le bouton du paramètre Floor/Wall (fond/parois) pour démarrer un nouveau cycle.
	Il se peut que la turbine soit obstruée et ne tourne pas correctement.	D'abord communiquer avec le technicien pour demander un revu diagnostique, puis si le problème persiste, communiquer avec le soutien technique Polaris au 1-800-822-7933 (États-Unis); 1-888-647-4004 (Canada).
	Il se peut que les chenilles soient coincées et ne tournent pas correctement.	D'abord communiquer avec le technicien pour demander un revu diagnostique, puis si le problème persiste, communiquer avec le soutien technique Polaris au 1-800-822-7933 (États-Unis); 1-888-647-4004 (Canada).
L'indicateur d'erreur du robot nettoyeur clignote pendant le cycle de nettoyage.	Il se peut que le robot nettoyeur aspire de l'air (les témoins s'allument après 60 secondes d'exposition à l'air).	Retirer le robot nettoyeur de la piscine et l'immerger à nouveau; voir <i>Immersion du robot nettoyeur</i> .
Le robot nettoyeur ne tient pas fermement en position au fond de la piscine.	Il y a de l'air dans le boîtier de l'appareil.	Retirer le robot nettoyeur de la piscine et l'immerger à nouveau; voir <i>Immersion du robot nettoyeur</i> .
	La cartouche filtrante est pleine ou sale.	Nettoyer la cartouche filtrante; voir <i>Nettoyage de la cartouche filtrante</i> .
	La turbine est endommagée.	Communiquer avec le soutien technique Polaris au 1-800-822-7933 (É.-U.); 1-888-647-4004 (Canada).
Le robot nettoyeur n'escalade pas les parois de la piscine ou ne nettoie pas jusqu'à la surface de l'eau.	La cartouche filtrante est pleine ou sale.	Nettoyer la cartouche filtrante; voir <i>Nettoyage de la cartouche filtrante</i> .
	Les parois de la piscine sont glissantes ou gluantes. Même si l'eau semble claire, des algues microscopiques, invisibles à l'œil nu, sont présentes dans la piscine. Les parois de la piscine deviennent alors glissantes et empêchent le robot nettoyeur de grimper. Vérifier l'usure des chenilles et des brosses et remplacer au besoin.	Ajuster le paramètre Surface Control System™; voir <i>Nettoyage des parois</i> . Effectuer un traitement-choc de chloration afin de réduire le pH de la piscine. RETIRER le robot nettoyeur de la piscine pendant ce traitement.
Le robot nettoyeur ne bouge pas au démarrage.	Le robot nettoyeur ne reçoit pas d'alimentation.	Vérifier que la prise à laquelle le module de commande est raccordé reçoit de l'électricité.
	Le robot nettoyeur s'est éteint avec un code d'erreur ou des lumières clignotantes.	Débrancher le module de commande, attendre 20 secondes ou plus et le rebrancher à nouveau. Si le problème persiste, communiquer avec le soutien technique Polaris au 1-800-822-7933 (É.-U.); 1-888-647-4004 (Canada).
Le nettoyeur s'arrête jusqu'à 20 secondes pendant le cycle de nettoyage.	Le nettoyeur effectue le processus de calibration normale.	Aucune action de l'utilisateur n'est requise. Après 20 secondes, le nettoyeur va reprendre le mouvement. La pause n'affecte pas le cycle de nettoyage.
Le câble s'emmêle dans la piscine.	Il y a trop de longueur de câble dans l'eau.	Ne pas dérouler tout le câble. Utiliser uniquement la longueur nécessaire pour que le robot nettoyeur puisse parcourir toute la piscine. Placer la portion inutilisée du câble au bord de la piscine. Suivre les instructions de la section <i>Démêlement du câble</i> pour éviter et résoudre une situation où le câble s'emmêle.
Le robot nettoyeur nettoie mal.	Les brosses sont usées ou le témoin d'« usure » est visible.	Remplacer les brosses selon la procédure décrite sous <i>Remplacement des brosses</i> .
	Cartouche filtrante pleine ou sale.	Nettoyer la cartouche filtrante en suivant la méthode expliquée à la section <i>Nettoyage de la cartouche filtrante</i> .
	Le câble flottant est excessivement enroulé ou déformé.	S'assurer que le câble flottant est bien déployé sur l'étendue de la piscine. S'assurer que le câble n'est pas trop serré lorsqu'il est enroulé et rangé. Si le problème persiste, étendre le câble déroulé au soleil pour le détendre et défaire les nœuds. Suivre les instructions de la section

NOTES

NOTES

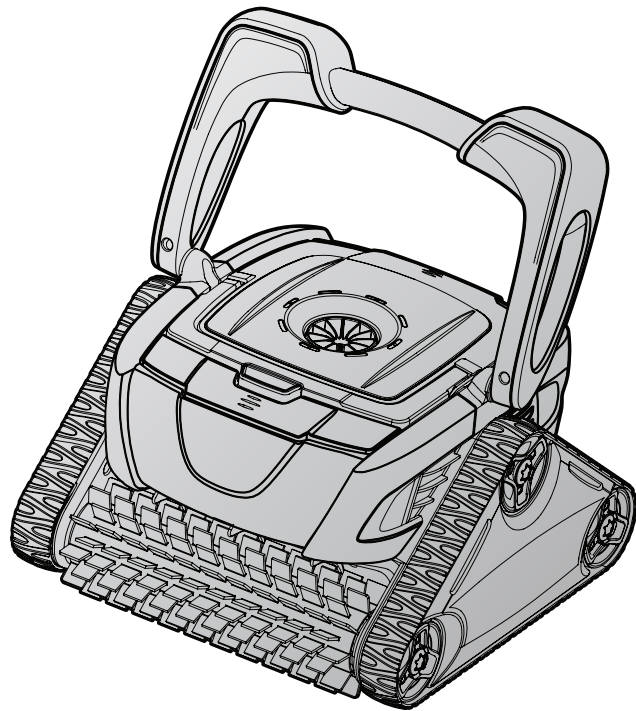
Zodiac Pool Systems, Inc.
2620, Commerce Way, Vista, CA 92081
1-800-822-7933 | www.ZodiacPoolSystems.com

POLARIS® et le design de robot nettoyeur à 3 roues Polaris sont des marques déposées de Zodiac Pool Systems, Inc.

ZODIAC® est une marque déposée de Zodiac International, S.A.S.U., utilisée sous licence. Toutes les autres marques déposées mentionnées dans le présent document appartiennent à leurs propriétaires respectifs.

© 2016 Zodiac Pool Systems, Inc. H0429900 Rév F





Limpiafondos robótico P825

TYPE EM27--

MANUAL DEL PROPIETARIO

⚠ ADVERTENCIA

PARA SU SEGURIDAD - Para cualquier cosa que no sea la rutina de limpieza y mantenimiento que se describen en este manual, este producto debe ser instalado y mantenido por un contratista con la licencia y las calificaciones necesarias para equipos de piscinas otorgadas por la jurisdicción donde se instalará el producto, en caso de que existan tales requisitos estatales o locales. En caso de que no existan tales requisitos estatales o locales, la persona que realiza el mantenimiento debe ser un profesional con experiencia suficiente en la instalación y el mantenimiento de equipos para piscinas de tal forma que pueda seguir al pie de la letra las instrucciones de este manual. La instalación o la operación incorrectas serán causa de anulación de la garantía.

Índice

Sección 1. Instrucciones de seguridad importantes	43	Sección 5. Mantenimiento	52
Sección 2. Especificaciones del limpiador ..	44	5.1 Enredo del cable	53
Sección 3. Montaje y configuración	44	5.2 Reemplazo de los cepillos	53
3.1 Desembalaje	44	5.3 Reemplazo de las pistas	54
3.2 Armado del carrito de transporte	44	Sección 6. Piezas de repuesto	55
3.3 Adosamiento de la unidad de control al carrito	46	Sección 7. Diagnóstico y solución de problemas	56
3.4 Conexión al suministro eléctrico	46	7.1 Uso del indicador de error del limpiador	56
Sección 4. Operación	47	7.2 Solución de problemas generales	57
4.1 Unidad de control del limpiador Polaris P825	48		
4.2 Inmersión del limpiador	48		
4.3 Encendido del limpiador	49		
4.4 Subir paredes (Surface Control System™)	49		
4.5 Detención y extracción de la piscina del limpiador	50		
4.6 Enjuague del limpiador	50		
4.7 Limpieza del cartucho del filtro	50		
4.8 Almacenamiento del limpiador	52		

GRACIAS POR LA COMPRA DEL LIMPIADOR POLARIS.

EL ROBOT LIMPIADOR POLARIS HA SIDO DISEÑADO Y FABRICADO PARA SER DE FÁCIL INSTALACIÓN Y PARA PROPORCIONAR UN FUNCIONAMIENTO CON POCO MANTENIMIENTO. ANTES DE INSTALAR EL NUEVO LIMPIADOR POLARIS, HAGA LO SIGUIENTE:

- 1) Llene y envíe la tarjeta de registro de la garantía.
- 2) Registre la información de su compra en los espacios siguientes.
- 3) Anexe la factura (o una copia) a esta página.

Tomar estas medidas ayudará a asegurar el servicio de garantía del sistema, si fuera necesario. Si se requiere servicio, póngase en contacto con su distribuidor original. Si el distribuidor original no realiza el servicio de garantía, por favor visite www.polarispool.com para localizar una empresa de servicios independiente cercana a usted. Si no puede localizar una empresa de servicios, por favor llame a nuestro Departamento de Soporte Técnico al teléfono 1-800-822-7933.

REGISTRE LOS DATOS DEL LIMPIADOR POLARIS AQUÍ:

Fecha de compra _____ Comprado a _____ Número de serie _____
(situado en el cabezal de la máquina)

Ciudad _____ Estado / Provincia _____ Código postal _____

Sección 1. Instrucciones de seguridad importantes

Felicitaciones por la compra del robot limpiador Polaris. Lea todo el manual antes de instalar su nuevo robot limpiador. El limpiador debe ser instalado y operado tal como se especifica.

LEA Y SIGA ESTAS INSTRUCCIONES

⚠ ADVERTENCIA

El incumplimiento de las advertencias aquí señaladas puede resultar en una lesión permanente, electrocución o muerte.

PREVENCIÓN DE DESCARGAS ELÉCTRICAS

Para reducir el riesgo de electrocución:

- La fuente del suministro de energía debe conectarse únicamente a un receptáculo protegido por un interruptor de circuito por falla a tierra (GFCI). Dicho receptáculo de GFCI debe ser proporcionado por un instalador calificado y se debe probar de manera rutinaria. Para probar el GFCI, presione el botón de prueba. El GFCI debe interrumpir la energía. Presione el botón Reset. Se debe restablecer la energía. Si el GFCI no funciona de esta forma, significa que está defectuoso. Si el GFCI interrumpe la energía a la bomba sin que se presione el botón de prueba, quiere decir que fluye corriente a tierra, lo que indica la posibilidad de una descarga eléctrica. No utilice este producto. Desconecte el limpiador y solicite a un representante de servicio calificado que solucione el problema antes de utilizarlo.
- Según el Código Eléctrico Nacional (NEC®) de los Estados Unidos, se debe mantener la unidad de control, por lo menos a un metro y medio (1,52 m) o cinco (5) pies del borde del agua (piscina/spa). En Canadá, el Código Eléctrico Canadiense (CEC) exige una distancia mínima de 3 m (10 pies) que debe mantenerse entre el borde de la piscina y la unidad de control. Nunca sumerja la unidad de control.
- No entre en la piscina mientras el limpiador Polaris esté en el agua.
- No entierre el cable. Ubique el cable de manera tal que se prevengan los daños ocasionados por cortadoras de césped, podadoras y otros equipos.
- Para reducir el riesgo de descarga eléctrica, no utilice el robot limpiador Polaris o la unidad de control si el cable está gastado o dañado. Comuníquese con Soporte Técnico de Zodiac Pool Systems, Inc. de inmediato para obtener un servicio adecuado y un reemplazo del cable dañado.
- Doble aislamiento: Para una protección continua contra las descargas eléctricas, utilice sólo piezas de repuesto idénticas cuando realice el servicio. No intente reparar el robot limpiador Polaris, la unidad de control, el cable de alimentación, o el cable flotante.
- NUNCA ABRA LA UNIDAD DE CONTROL.
- NO UTILICE UN CABLE DE EXTENSIÓN PARA CONECTAR LA FUENTE DEL SUMINISTRO DE ENERGÍA. SUMINISTRE UN RECEPTÁCULO GFCI UBICADO EN UN LUGAR ADECUADO. LA UNIDAD DE CONTROL DEBE SER COLOCADA CERCA DE LA CAJA DEL RECEPTÁCULO GFCI.

EVITAR LESIONES A LOS NIÑOS Y EL AHOGAMIENTO

- Para reducir el riesgo de lesión, no permita que los niños operen este artefacto.
- No permita que nadie, especialmente niños pequeños, se siente, se pare, se apoye o se suba sobre ninguno de los equipos instalados como parte del sistema de operación de la piscina.

⚠ PRECAUCIÓN

El no cumplir con las siguientes advertencias podría causar daños en el equipo de la piscina o lesiones personales.

- El limpiador Polaris debe instalarse y operarse según las especificaciones.
- Este producto está diseñado para el uso en piscinas de instalación permanente. No la utilice en piscinas portátiles. La piscina permanente está empotrada en el suelo o sobre el mismo o en un edificio, de tal manera que no se puede desmontar fácilmente para su almacenamiento. La piscina portátil está construida de manera que puede ser fácilmente desmontada para su almacenamiento y volver a montarse en su estado original.
- Limpie el cartucho del filtro del limpiador Polaris después de cada uso.

⚠ PRECAUCIÓN

USO DEL ROBOT LIMPIADOR POLARIS EN UNA PISCINA CON REVESTIMIENTO DE VINILO

Ciertos diseños de revestimiento de vinilo son particularmente susceptibles al desgaste rápido de la superficie o la desaparición del diseño, que es provocado por los objetos que entran en contacto con la superficie de vinilo como cepillos, juguetes, flotadores, fuentes, dosificadores de cloro y limpiadores automáticos. Algunos diseños de revestimiento de vinilo se pueden rayar o desgastar simplemente por la fricción de la superficie con un cepillo para piscinas. También se puede salir la pintura del diseño durante el proceso de instalación o cuando entra en contacto con objetos de la piscina. Zodiac Pool Systems, Inc. no es responsable de desgastes, abrasiones ni marcas en el revestimiento de vinilo, y la garantía limitada no los cubre.

GUARDE ESTAS INSTRUCCIONES

Sección 2. Especificaciones del limpiador

Caja de control de suministro de voltaje	100-240VAC, 60 Hz
Suministro de voltaje	30 V DC
Carga instalada	150 W máx.
Longitud del cable	50 pies (15 m)
Tamaño del limpiador (ancho x largo x alto)	16 x 16.5 x 10 pulg. (41 x 42 x 25 cm)
Peso del limpiador	20 lbs. (9 kg)
Filtración	Cartucho del filtro multipropósito
Duraciones del ciclo	1.5 horas

El limpiador es un producto de doble aislamiento. Un aparato eléctrico de doble aislamiento es el que ha sido diseñado de tal manera que no requiere una conexión a tierra de seguridad. El requisito básico para doble aislamiento es que ninguna falla pueda exponer tensiones peligrosas que puedan provocar una descarga eléctrica, y esto se logra sin depender de una caja metálica conectada a tierra (masa). Esto se logra al tener dos (2) capas de material aislante alrededor de las piezas expuestas o mediante el uso de un aislamiento reforzado. Por lo tanto, los dispositivos construidos con doble aislamiento, tales como este limpiador, no utilizan un cable / enchufe con conexión a tierra (tres patas).

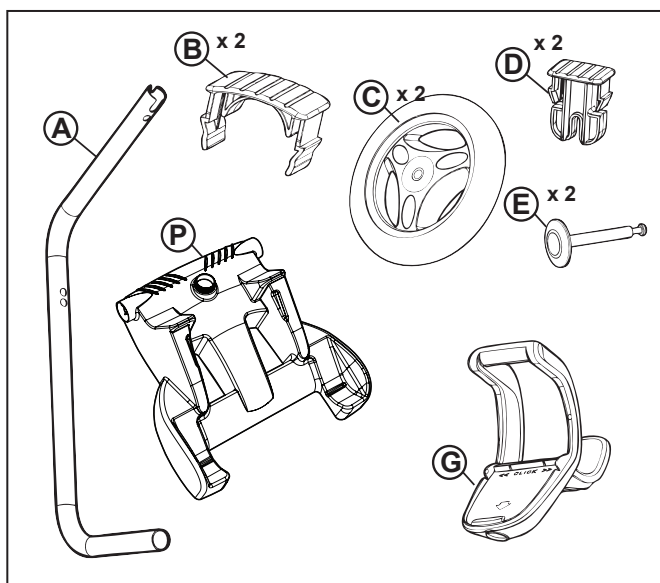


Figura 1. Componentes de armado del carrito de transporte

Al desembalar el limpiador y sus componentes:

- Compruebe que cada componente esté en la caja.
- Compruebe que el limpiador y los componentes no estén dañados.
- Si faltan piezas o están dañadas, comuníquese con soporte técnico de Polaris:
EE.UU. 1-800-822-7933
Canadá 1-888-647-4004.

Sección 3. Montaje y configuración

3.1 Desembalaje

El paquete debe contener los siguientes artículos:

- Limpiador robótico y cable de alimentación flotante
- Unidad de control con cordón de alimentación
- Transporte y almacenamiento de los componentes de armado del carrito (figura 1)
 - (a) estructura de la manija
 - (b) bloques de soporte (x 2)
 - (c) ruedas (x 2)
 - (d) clips de bloqueo de rueda (x 2)
 - (e) eje / cubierta de rueda (x 2)
 - (f) unidad de base
 - (g) manija del carrito

3.2 Armado del carrito de transporte

1. Desatornille la tuerca de mano de la unidad de base (Figura 2).

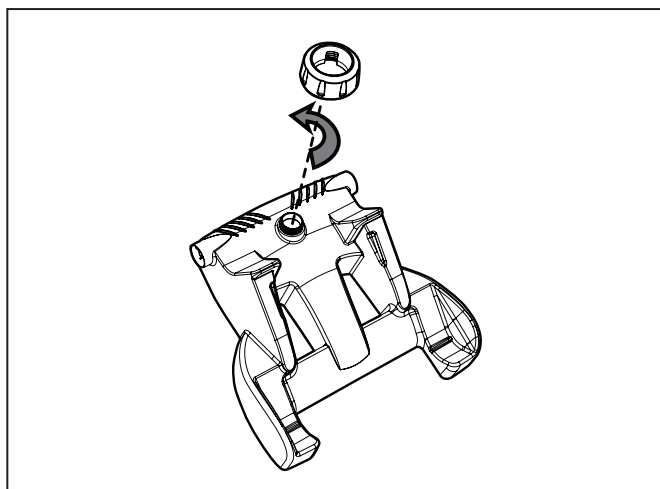


Figura 2. Saque la tuerca de mano de la unidad de base

2. Inserte el tubo de la manija de metal en la unidad de base con el extremo de la muesca en

la parte superior; luego hágalo girar para que la parte curva quede alejada de usted. (Figura 3).

- Empuje hacia abajo la unidad de base (Figura 3), para que la manija de metal quede asentada en la hendidura de la parte inferior de la base.

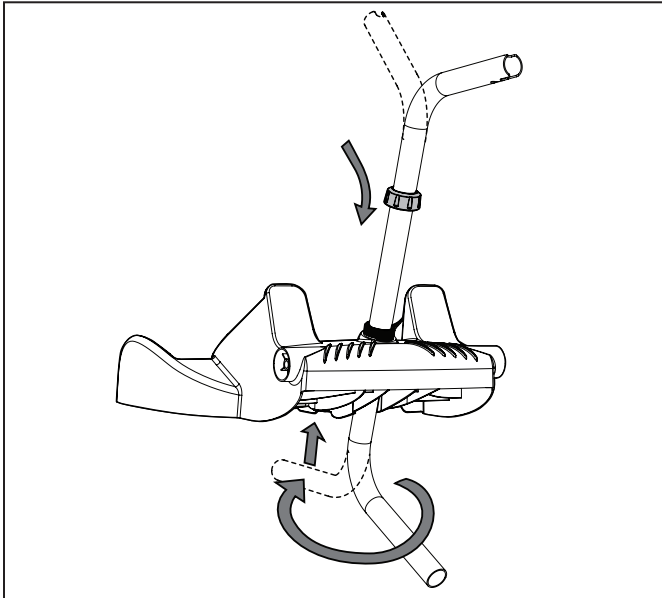


Figura 3. Acople la pieza de metal a la unidad de base

- Deslice la tuerca de mano a través del tubo y hágala girar para ajustarla a la unidad de base (Figura 4).

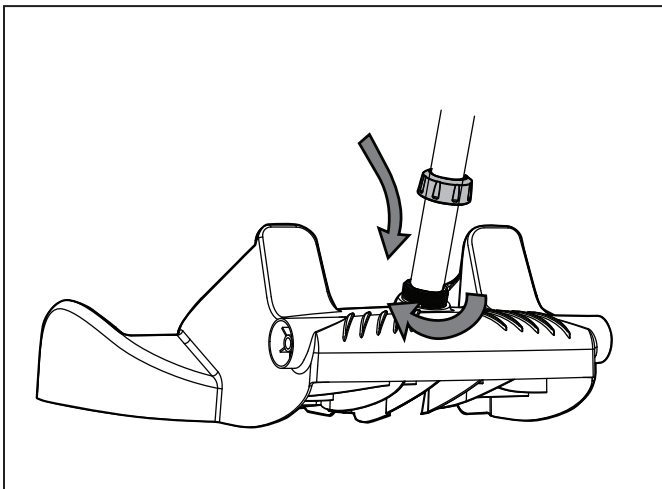


Figura 4. Ajuste la tuerca de mano para asegurar la pieza

- Coloque dos (2) bloques de soporte en su lugar (Figura 5).
- Deslice el eje y el tapacubos por el centro de la rueda, y únala a la unidad de base. Coloque el clip de bloqueo en su lugar para asegurar la rueda. Repita para unir ambas ruedas (Figura 5).

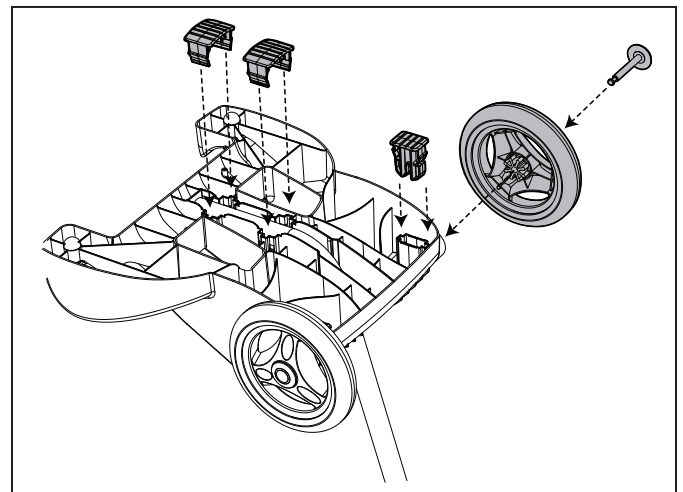


Figura 5. Coloque los bloques de soporte y coloque las ruedas

- Deslice la manija de la unidad de base o del carrito hacia abajo por el tubo hasta que calce en su sitio. (Véase Figura 6).

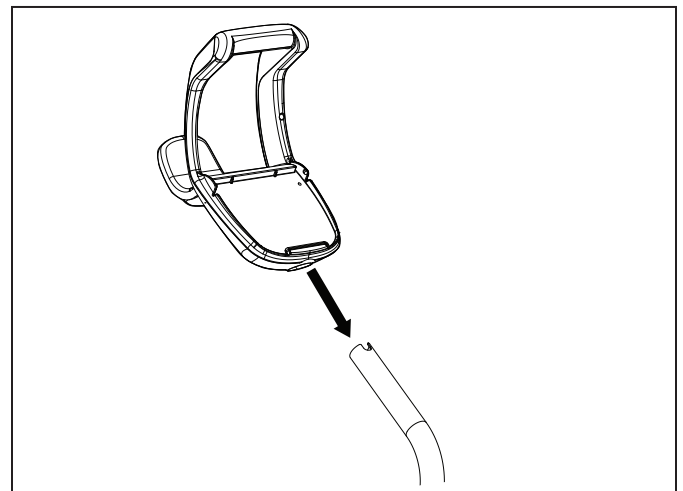


Figura 6. Instale la manija del carrito

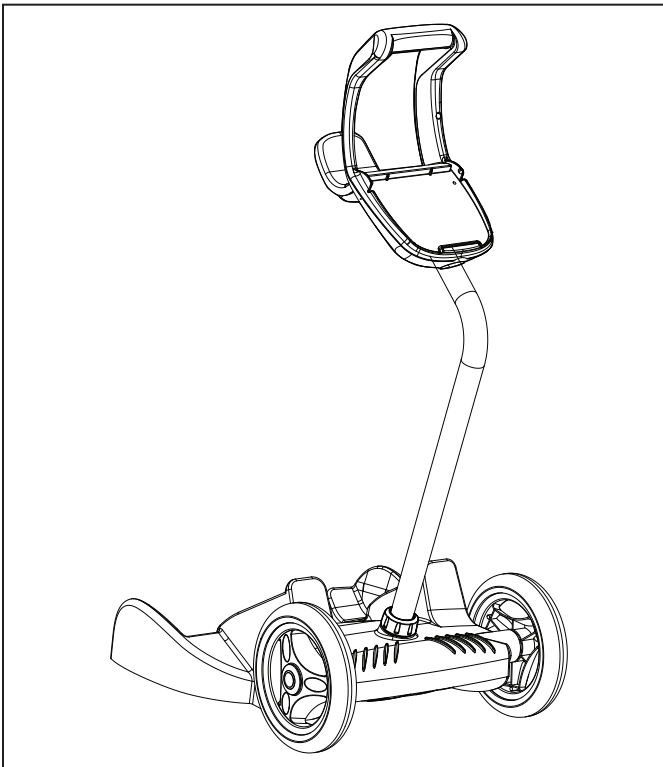


Figura 7. Carrito de transporte totalmente armado

3.3 Adosamiento de la unidad de control al carrito

1. Coloque la parte inferior de la unidad de control con la muesca en la parte inferior del gancho de la unidad de control en el carrito (Figura 8).

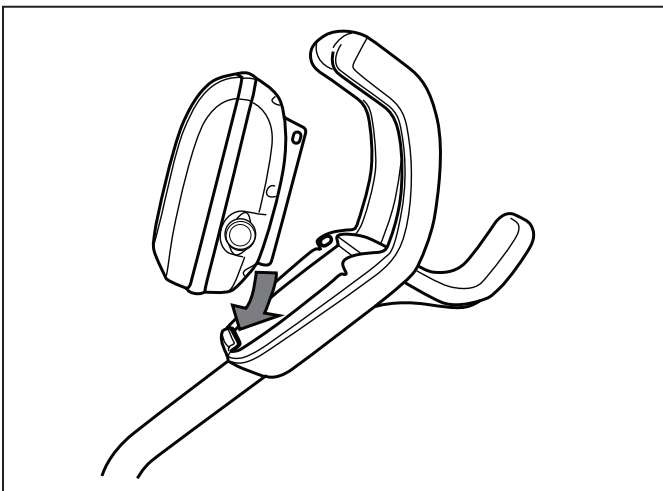


Figura 8. Coloque la unidad de control en el gancho del carrito

2. Presione la unidad de control en el gancho del carrito hasta que quede bien colocada y fijada en su sitio (Figura 9).

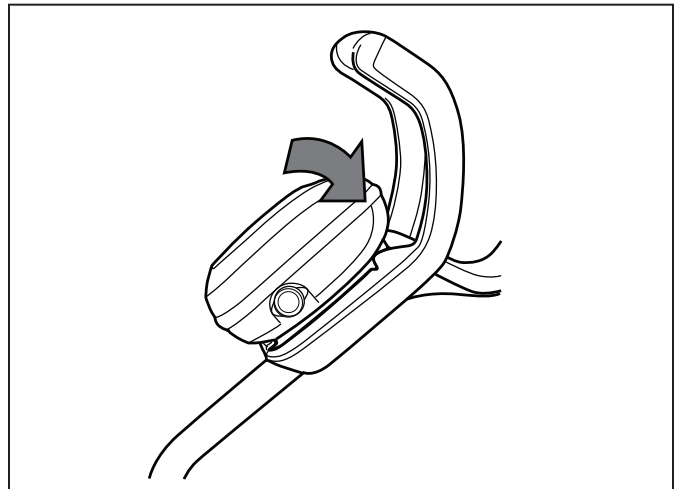


Figura 9. Coloque la unidad de control en el carrito

3.4 Conexión al suministro eléctrico

⚠ ADVERTENCIA

Si no se cumplen las siguientes advertencias, existe riesgo de que las personas sufran lesiones permanentes, se electrocuten o se ahoguen.

PREVENCIÓN DE DESCARGAS ELÉCTRICAS

- **EE. UU.:** Según los requisitos del NEC®, mantenga la unidad de control por lo menos a un metro y medio (1,5 m) (5 pies) del borde del agua (piscina / spa).
- **CANADÁ:** Según los requisitos del CEC, mantenga la unidad de control por lo menos a tres (3) m (10 pies) del borde de la piscina.
- Conecte la unidad de control únicamente a un receptáculo protegido por un interruptor de circuito por falla a tierra (GFCI). Contacte a un electricista autorizado si usted mismo no puede asegurarse de que el receptáculo está protegido por un GFCI.
- No utilice un cable de extensión para conectar la unidad de control.
- No permita que ninguna persona nade en la piscina mientras el limpiador esté en la piscina.

Para conectar:

- Gire el cable de alimentación de modo que aparezca la leyenda TOP (SUPERIOR) en el lado superior. Presione firmemente el cable de alimentación en la unidad de control hasta que escuche un “chasquido” (vea la figura 10). El chasquido indica que el cable de alimentación está conectado correctamente, creando un sello hermético.

Sección 4. Operación

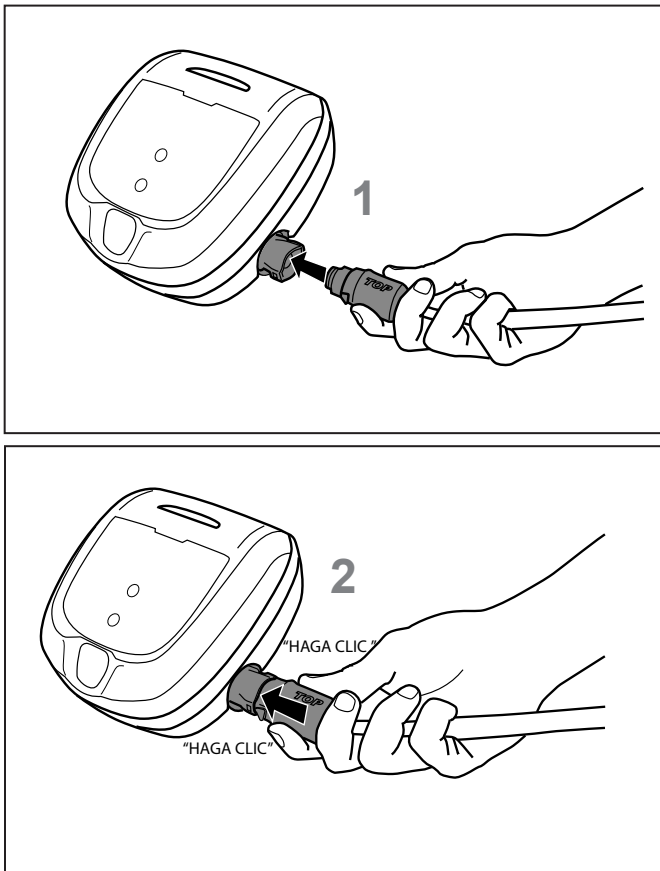


Figura 10. Conecte el cable de alimentación

Para desconectar:

- Sujete el cable de alimentación firmemente en cada lado y presione dos trabillas para soltarlo (vea la figura 11.)

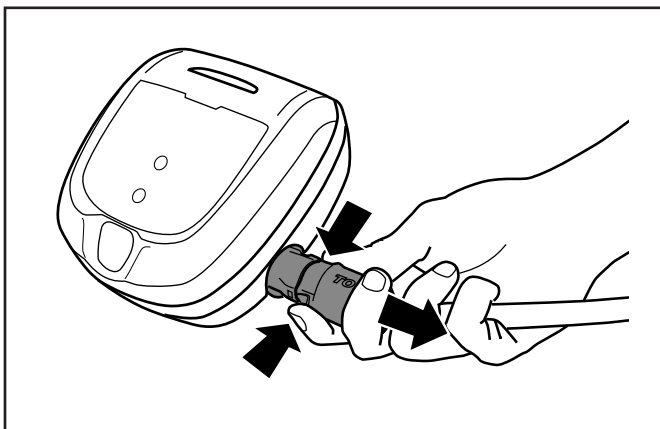


Figura 11. Desconecte el cable de alimentación

⚠ PRECAUCIÓN

Para evitar daños en el limpiador, asegúrese de cumplir con las pautas siguientes:

- Saque el limpiador de la piscina después de que se complete el ciclo de limpieza, y guárdelo en el carrito, fuera de la luz solar directa o de condiciones climáticas adversas.
- Nunca levante el limpiador de la piscina por medio del cable flotante. Use siempre la manija para sacar el limpiador de la piscina.
- Preste especial cuidado cuando esté levantando el limpiador de la piscina. Se torna más pesado cuando está lleno de agua.
- Siempre saque el limpiador de la piscina cuando haga una cloración fuerte o agregue ácido.

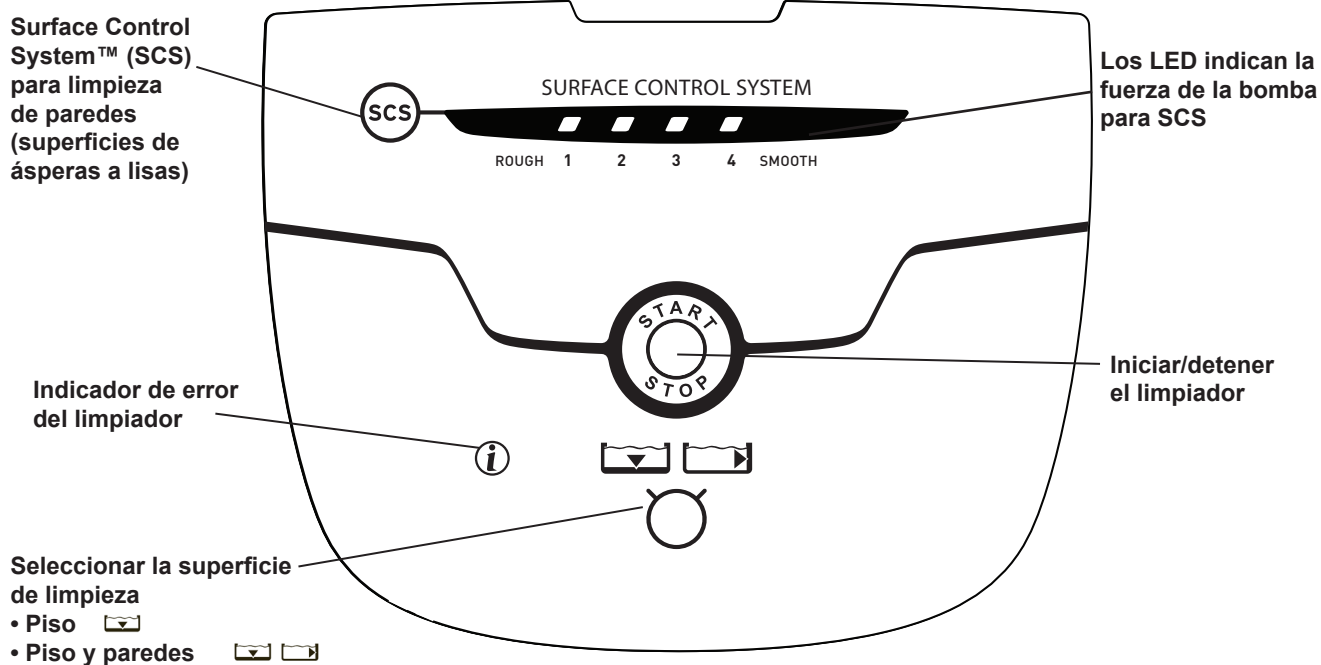
IMPORTANTE

- Asegúrese siempre de que el cabezal del limpiador esté totalmente sumergida antes de iniciar la operación.
- Limpie el cartucho del filtro después de cada ciclo de limpieza.
- No deje el limpiador en la piscina de forma permanente.
- Al final de cada ciclo, retire el limpiador de la piscina. Comience por el extremo cerca del cabezal del limpiador y desenrede los nudos en el cable antes de guardar el limpiador.

Cuando la unidad de control está encendida con el cable flotante colocado, se muestra el tiempo de funcionamiento para el ciclo seleccionado actualmente.

El robot limpiador Polaris incluye una función de seguridad que lo detiene automáticamente si está encendido pero no sumergido en el agua. Para piscinas que tienen un área de poca profundidad, esta función de seguridad se encuentra programada para que el limpiador se mueva hacia atrás y vuelva a la piscina cuando el impulsor se encuentre fuera del agua.

4.1 Unidad de control del limpiador Polaris P825



4.2 Inmersión del limpiador

1. Sumerja el limpiador verticalmente (1) y manténgalo bajo la superficie, moviéndolo con delicadeza de un lado a otro (2) para remover el aire que haya quedado atrapado, hasta que dejen de salir burbujas (vea la figura 12).
2. Cuando dejen de salir burbujas, deje que el limpiafondo se hunda hasta el fondo de la piscina.
3. Compruebe que el limpiador esté asentado en el fondo de la piscina. Retire el aire adicional si el limpiador aún flota.

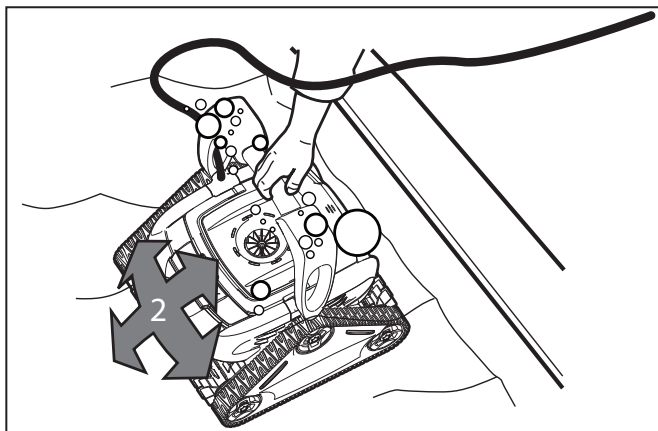
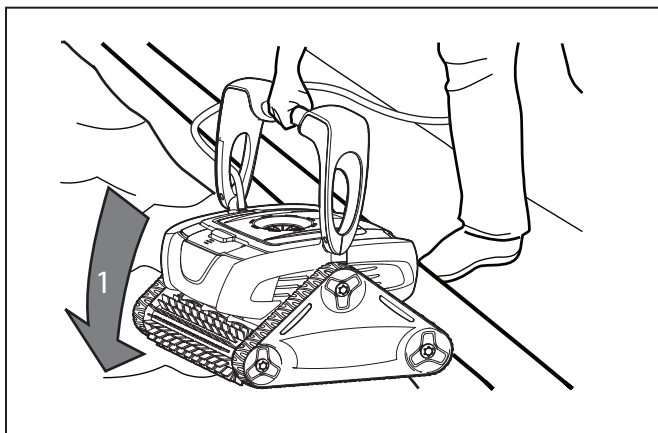


Figura 12. Sumerja y retire el aire atrapado

NOTA: El lado del cable del limpiador permanecerá arriba mientras la bomba esté APAGADA. Tan pronto como ENCIENDA la bomba, la manija se bajará.

- Distribuya el cable flotante por la piscina, asegurándose de que no haya nudos o esté enroscado (vea la figura 13).

NOTA: Para lograr un patrón óptimo y reducir los enredos, el cable flotante debe entrar al agua aproximadamente a la mitad de la longitud de la piscina. Solo coloque suficiente cable en el agua para que llegue al punto más alejado de la piscina (consulte la Figura 13).

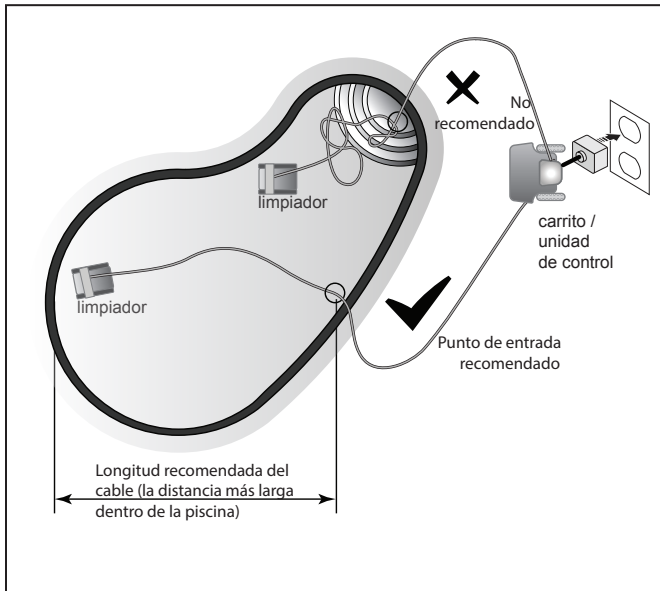


Figura 13. Para lograr un patrón óptimo

4.3 Encendido del limpiador

La primera vez que use el limpiador, el ajuste de la superficie de limpieza será Piso y paredes . Después de la primera vez, la opción predeterminada será el último ajuste utilizado.

Seleccione Limpieza de Superficie:

- Use para cambiar la configuración de limpieza de superficie.

Empiece la limpieza:

- Después de seleccionar la superficie de limpieza, presione para comenzar la operación.
- Al principio de cada ciclo, el limpiador permanecerá en su posición por unos segundos

para inicializar el microcontrolador una vez que arranque la bomba.

NOTA: Periódicamente, el limpiador hará una pausa de hasta 20 segundos en todo el ciclo de limpieza. El limpiador está calibrando su posición en la piscina durante este proceso. Esta es una operación normal y el limpiador se reanudará el movimiento después de la calibración sin la intervención del usuario requerida. La pausa no afecta el ciclo de limpieza en general.

4.4 Subir paredes (Surface Control System™)

El limpiador tiene la capacidad de limpiar las paredes hasta la línea de flotación. La cantidad de agarre que necesite el limpiador en la pared dependerá de la superficie de la piscina.

Indicador de intensidad de agarre:

La configuración del sistema de control de superficie (SCS) es la siguiente para los distintos tipos de superficies de piscinas:

- 1 Superficie de guijarro (ASPERA)
- 2 Concreto
- 3 Vinilo / fibra de vidrio
- 4 Azulejo (LISA)

Revise la configuración para subir paredes:

- Arranque el limpiador y observe mientras sube por cada pared. Si la configuración de agarre es correcta, el limpiador subirá fácilmente por la pared y limpiará hasta la línea de flotación. La configuración predeterminada es .

NOTA: La acción de subir la pared se programa en un patrón al azar. El limpiador puede subir la pared y no llegar a la línea de flotación sino hasta el tercer o cuarto intento, para limpiar totalmente la superficie de la pared debajo de la línea de flotación primero.

- Ajuste la configuración de subir la pared según sea necesario, usando los siguientes lineamientos:

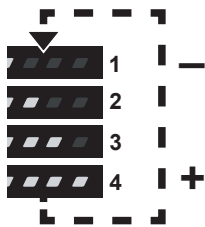
Aumentar: si el limpiador sube por la pared lentamente y permanece debajo de la línea de flotación.

Disminuir: si el limpiador sube por la pared demasiado rápido y absorbe aire en la línea de flotación.


Ajustar la configuración para subir paredes del SCS:

Puede cambiar la configuración para subir paredes en cualquier momento durante la operación del limpiador con el botón del SCS. La nueva configuración se activará cuando el limpiador suba por la siguiente pared.

- Presione **(SCS)** para ajustar la configuración de subir la pared un nivel más alto.
- Se encenderá un LED adicional cada vez que presione el botón para indicar un agarre más fuerte en la pared.
- Para disminuir la configuración, presione el botón para desplazarse de vuelta hasta un LED (la configuración más baja).



4.5 Detención y extracción de la piscina del limpiador

1. Si el limpiador sigue funcionando, presione  para interrumpir la operación. Si el ciclo de limpieza está completo, comience en el paso 2.
2. Cuando el limpiador esté al alcance de su brazo, jale con delicadeza el cable flotante para acercar la manija del limpiador de modo que la pueda alcanzar con su brazo. Use la manija para levantar el limpiador y sacarlo del agua (vea la figura 14). Nunca levante el limpiador de la piscina por medio del cable flotante.

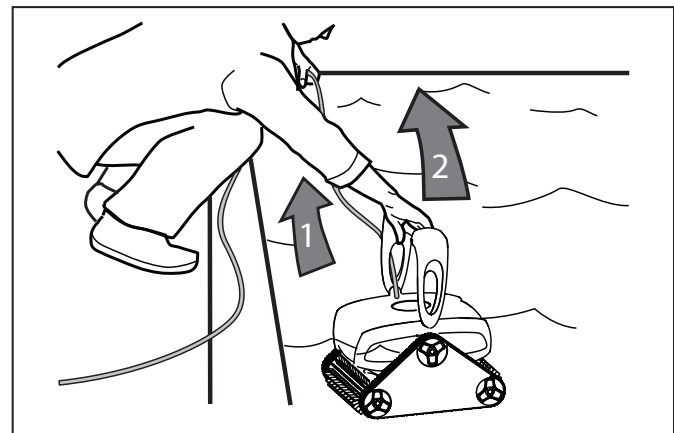


Figura 14. Saque el limpiador de la piscina usando la manija

3. Sujete el limpiador en posición vertical sobre la superficie de la piscina para drenar el agua antes de sacarlo (vea la figura 15).

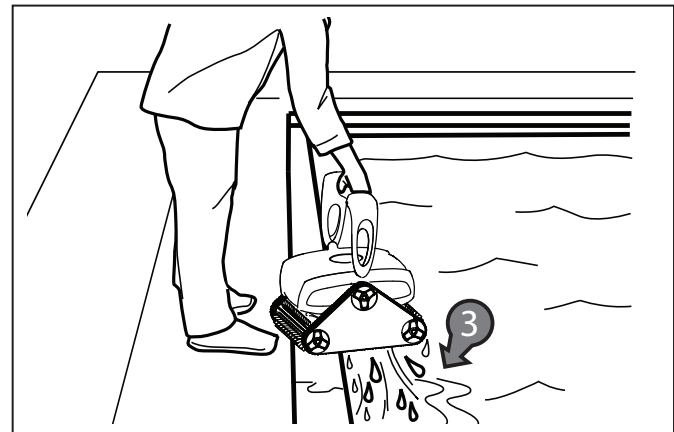


Figura 15. Saque el limpiador de la piscina usando la manija

4.6 Enjuague del limpiador

Enjuague el limpiador después de cada ciclo de limpieza. Use agua limpia con un poco de jabón y luego enjuague generosamente con agua limpia. No use disolventes, como acetona o sus equivalentes. No deje que el limpiador se seque bajo luz solar directa cerca de la piscina.

4.7 Limpieza del cartucho del filtro

Siempre debe vaciar y limpiar el cartucho del filtro al terminar cada ciclo de limpieza.

ADVERTENCIA

Para evitar descargas eléctricas y otros peligros que puedan causar lesiones graves o la muerte, desconecte (desenchufe) el limpiador de la fuente de alimentación antes de realizar cualquier operación de limpieza y mantenimiento.

1. Desconecte la fuente de alimentación del limpiador y de la unidad de control. Desconecte la unidad de control de la fuente de alimentación.
2. Presione el botón PUSH 'N' GO® para liberar la manija del cartucho del filtro (vea la figura 16).

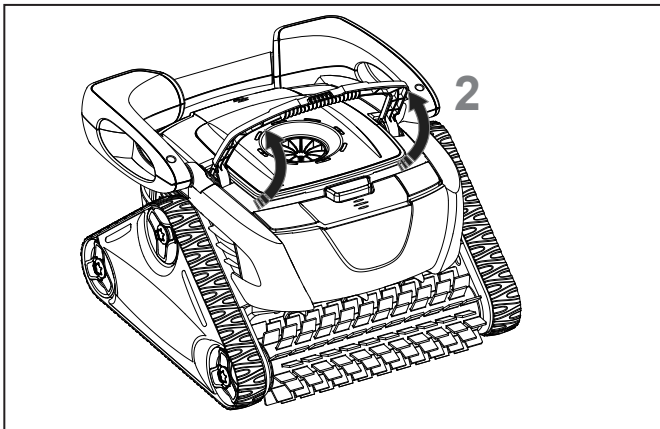
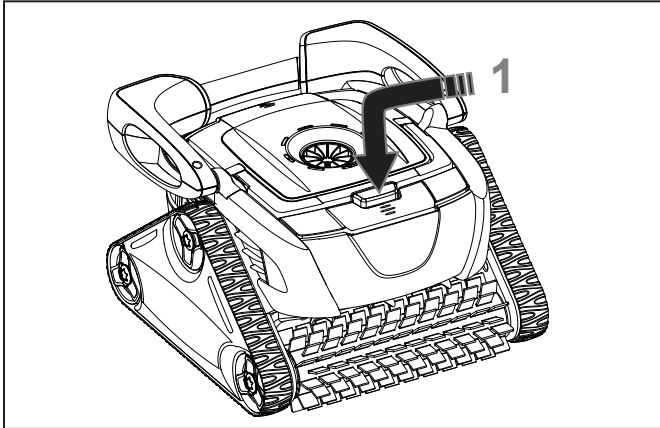


Figura 16. Libere la manija del cartucho del filtro

3. Sujete la manija del cartucho del filtro y levante para quitar el cartucho del filtro (vea la figura 17).

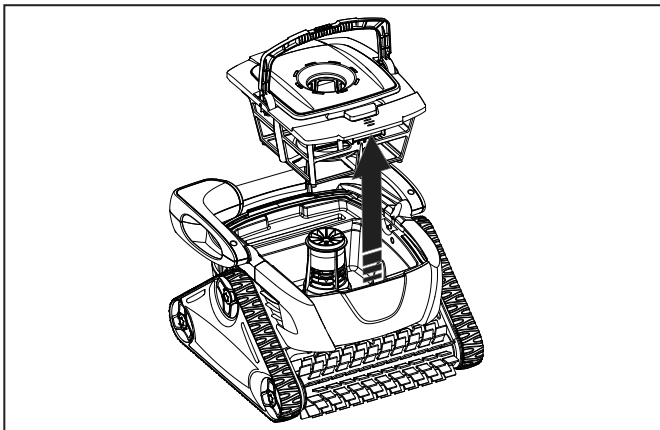


Figura 17. Retire el cartucho del filtro

4. Presione los dos pestillos (1) y quite la tapa del cartucho del filtro (2) (vea la figura 18).

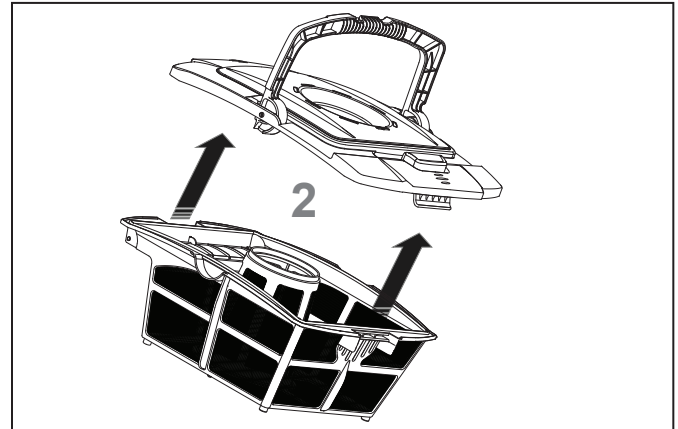
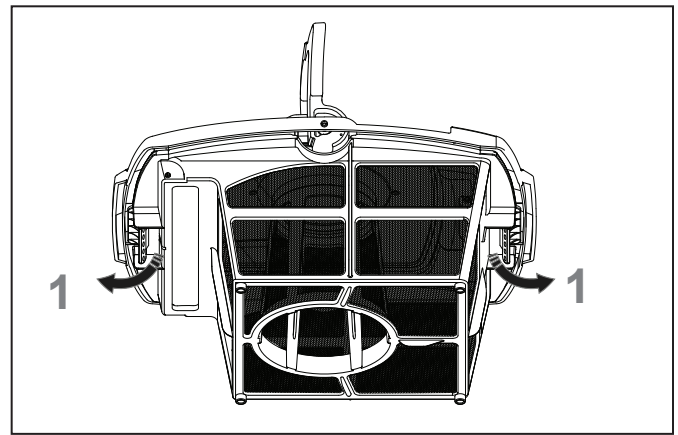


Figura 18. Retire la tapa del cartucho del filtro

5. Use una manguera con agua limpia para enjuagar el cartucho del filtro y la tapa, para remover la suciedad (vea la figura 19).

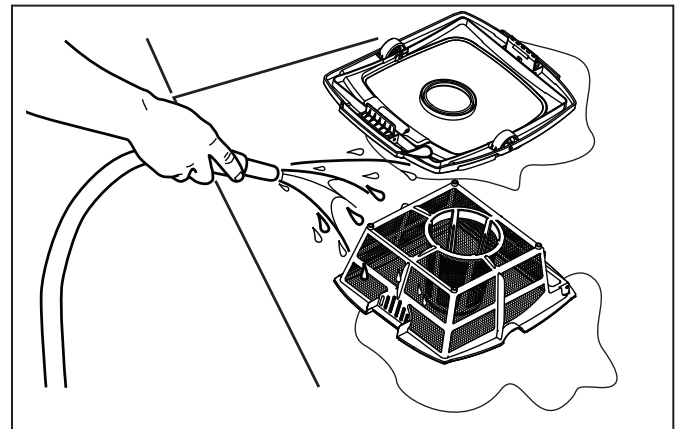


Figura 19. Enjuague el cartucho del filtro

6. Vuelva a colocar la tapa en el cartucho y coloque este de vuelta en el cuerpo del limpiador.

4.8 Almacenamiento del limpiador

El limpiador debe limpiarse regularmente con agua limpia y jabonosa. No use disolventes, como acetona o sus equivalentes. Enjuague el limpiador con abundante agua limpia. No deje que el limpiador se seque bajo luz solar directa cerca de la piscina. El limpiador debe almacenarse en su carrito, para que se seque rápidamente.

1. Comenzando por el cabezal del limpiador. Desenrolle y desenrede el cable (vea la figura 20).

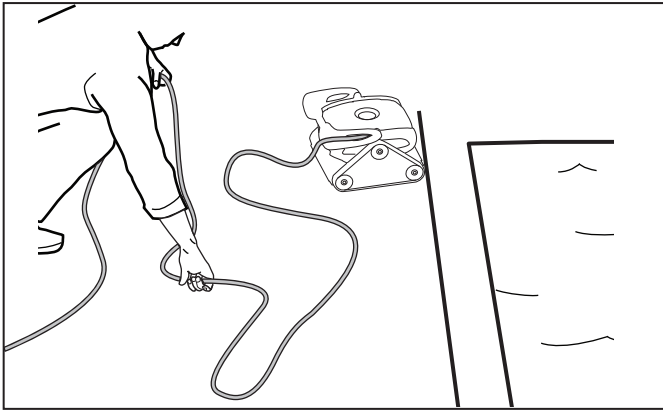


Figura 20. Desenrede el cable flotante

2. Coloque el limpiador en posición vertical en la base del carrito con las pistas traseras en las cuñas al lado del carrito (vea la figura 21).
3. Enrolle holgadamente el cable de alimentación en el limpiador y avance hacia el punto de conexión en la unidad de control. Guarde el cable, enrosándolo alrededor del gancho situado en la parte delantera del carrito (vea la figura 21).

4. Desconecte el cable de la unidad de control y enróllelo holgadamente alrededor del gancho del carrito.
5. Si retiró la unidad de control del carrito, vuelva a colocarla alineando el fondo de la unidad de control con la muesca del carrito, engánchela en el carrito y luego presione firmemente hasta que escuche un “chasquido”.

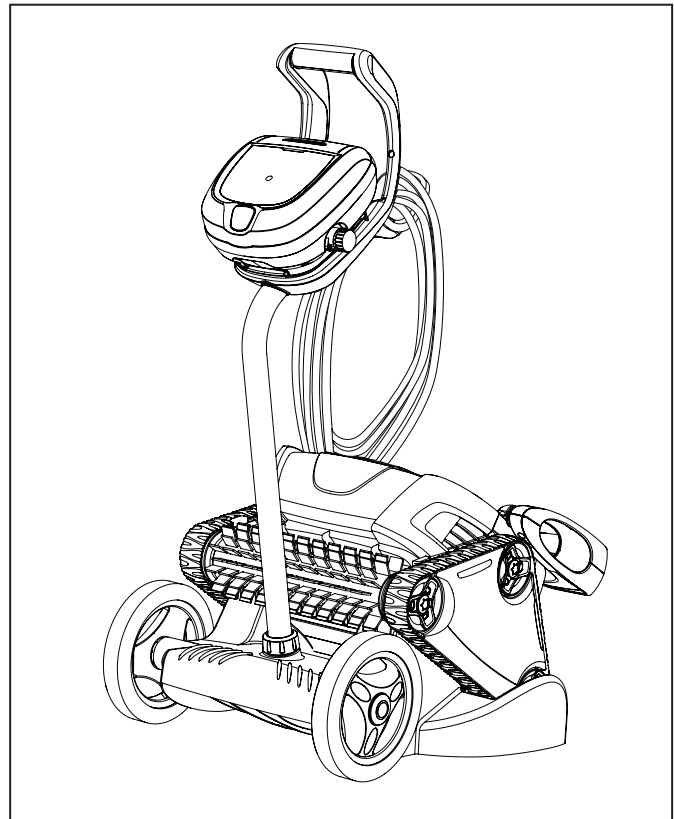


Figura 21. Limpiador guardado correctamente en el carrito

Sección 5. Mantenimiento

ADVERTENCIA

Para evitar descargas eléctricas y otros peligros que puedan causar lesiones graves o la muerte, desconecte (desenchufe) el limpiador de la fuente de alimentación antes de realizar cualquier operación de limpieza y mantenimiento.

5.1 Enredo del cable

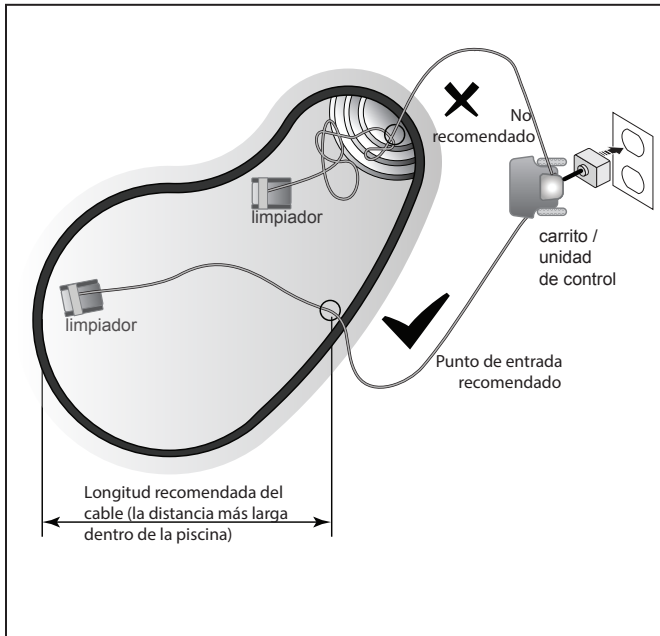


Figure 22. La longitud recomendada del cable

IMPORTANTE

El cable flotante puede enredarse si no se siguen los procedimientos correctos después de cada ciclo de limpieza.

No deje el limpiador desatendido por períodos prolongados y siga el procedimiento en la siguiente sección para evitar que el cable se enrede excesivamente.

Luego de cada ciclo de limpieza:

1. Desconecte la fuente de alimentación del limpiador y de la unidad de control.
2. Saque el limpiador de la piscina y desenrede todas las vueltas y los nudos del cable flotante, comenzando desde el cabezal del limpiador (vea la figura 23).
3. Vuelva a conectar el cable en la unidad de control y guarde el limpiador en el carrito, alejado de la luz directa del sol, para la próxima vez que se use.

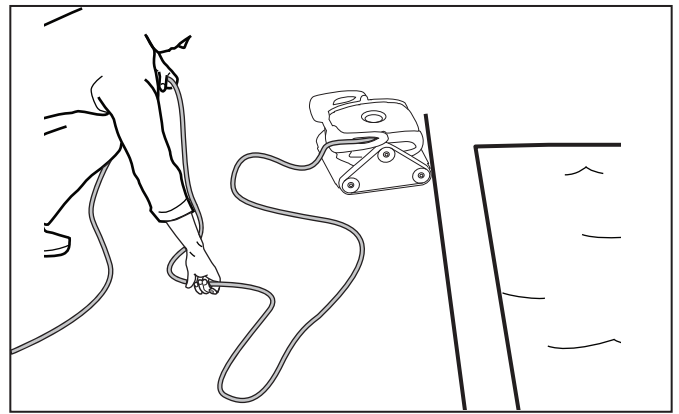


Figura 23. Desenrede el cable flotante

5.2 Reemplazo de los cepillos

El limpiador está equipado con cepillos de PVC en la parte delantera y trasera. Hay ranuras elevadas que son indicadores de “desgaste” en los cepillos ubicados enseguida de los conectores de pestaña (vea la figura 24). A medida que se desgasten los cepillos, la ranura elevada se aplanará y quedará al ras en la pista. Para mantener un óptimo rendimiento del limpiador, debe reemplazar los cepillos tan pronto como uno de los indicadores de desgaste esté liso o desgastado (incluso si el desgaste no es parejo). Recomendamos que cambie los cepillos cada dos (2) años.

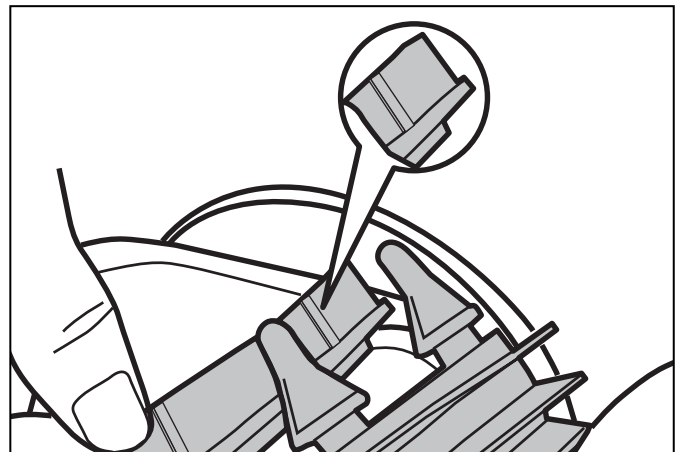


Figura 24. Indicadores de desgaste

1. Pare el limpiador sobre su extremo en posición vertical (vea la figura 25).

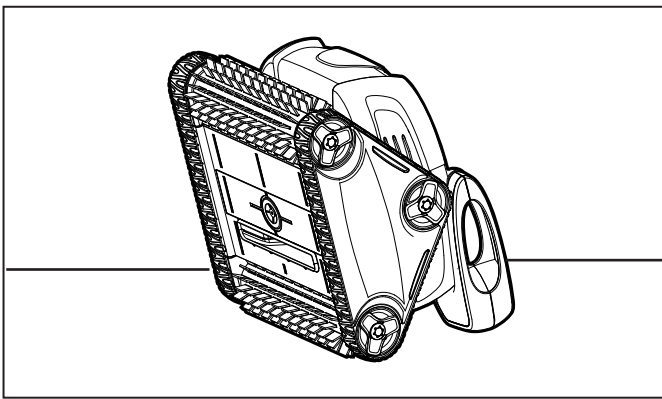


Figura 25. Pare el limpiador en posición vertical

2. Separe los bordes del cepillo, desajuste las trabillas y extraiga el cepillo desgastado.
3. Coloque el nuevo cepillo debajo del rodillo con las espigas hacia abajo (vea la figura 26).

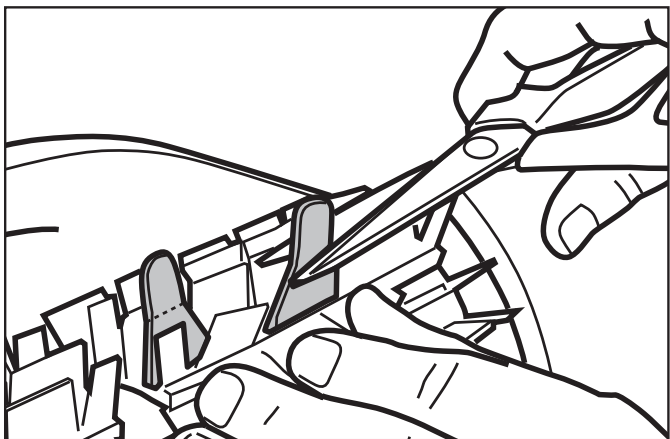


Figura 28. Corte las trabillas

6. Repita este procedimiento para reemplazar el segundo cepillo.

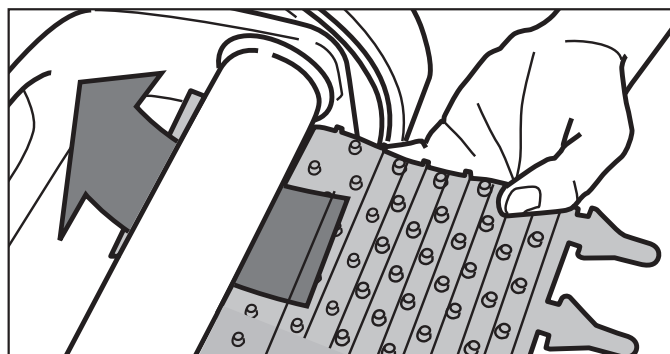


Figura 26. Coloque el nuevo cepillo en el rodillo

4. Enganche cada trabilla en la ranura provista e insértela suavemente hasta que la base salga del otro lado de la ranura (vea la figura 27).

5.3 Reemplazo de las pistas

1. Pare el limpiador sobre su costado (vea la figura 29).

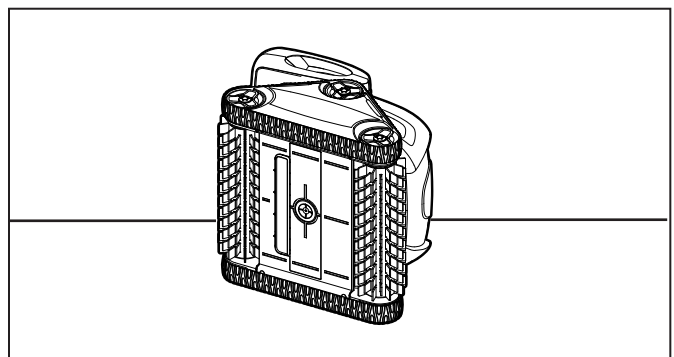


Figura 29. Pare el limpiador sobre su costado

2. Comenzando en una de las ruedas, con los dedos, separe el interior de la pista para separar el borde del neumático de la rueda (vea la figura 30). Retire la pista del limpiador.

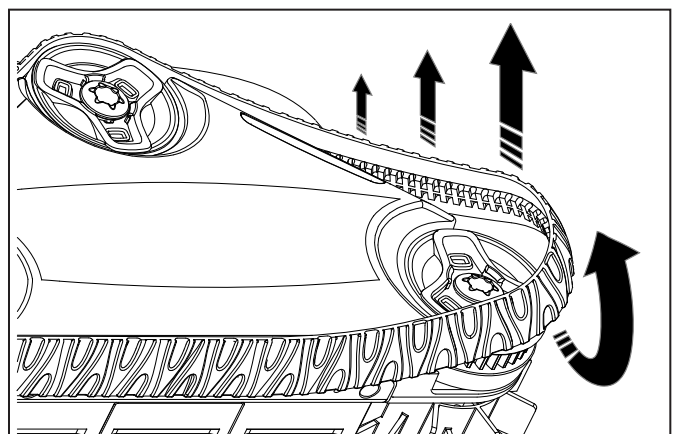


Figura 30. Jale la pista sobre las ruedas para quitarla

3. Para instalar una nueva pista, coloque el borde

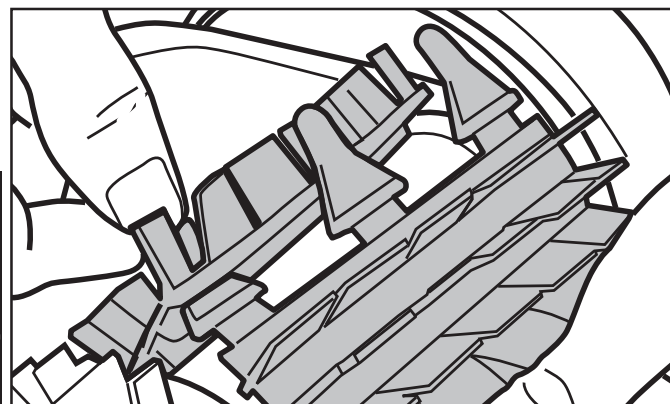


Figura 27. Tire de las trabillas a través de cada ranura

5. Use tijeras para cortar las trabillas, de modo que no queden más altas que las puntas (vea la figura 28).

de la pista en la ranura en la primera rueda
(vea la figura 31).

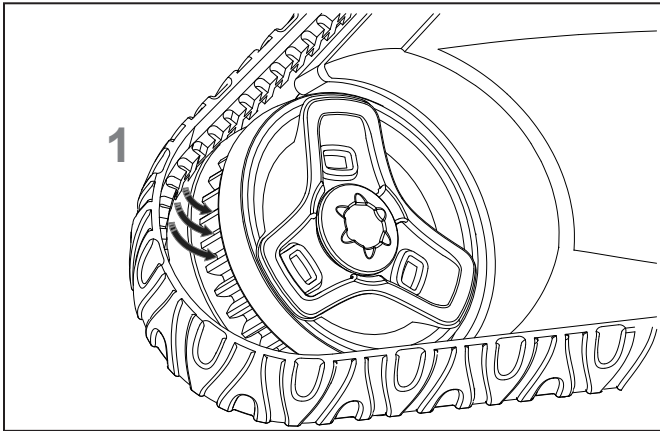


Figura 31. Coloque la pista en las ranuras de las ruedas

4. Estire la pista alrededor de la segunda rueda y luego jale para colocar la pista a través de la última rueda (vea la figura 32). Empuje y coloque en la posición correcta el borde de la pista, de modo que se asiente correctamente en la ranura de la rueda.

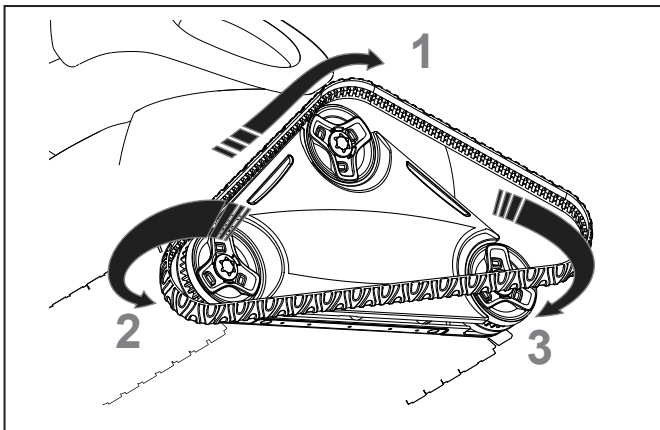


Figura 32. Estire la pista alrededor de las ruedas


5. Verifique que el borde de la pista esté posicionado correctamente dentro de la ranura de cada una de las tres ruedas. Si es necesario, gire con delicadeza las ruedas para asentar la pista.

Sección 6. Piezas de repuesto

La lista completa de repuestos y el plano de despiece está disponible en el sitio web de Polaris en www.polarispool.com. En Canadá, la lista de repuestos y el plano de despiece están disponibles en www.polarispool.com

Sección 7. Diagnóstico y solución de problemas

7.1 Uso del indicador de error del limpiador

El indicador de error del limpiador  en la unidad de control destella en una secuencia específica para indicar una de tres posibles fallas del limpiador.

Luz LED intermitente de información	Solución
La luz LED destella una vez con intervalos de un segundo.	Desconecte el cable flotante de la unidad de control y vuelva a conectarlo nuevamente. Si el problema no se resuelve, comuníquese con Soporte Técnico de Polaris (EE. UU.) llamando al 1-800-822-7933; 1-888-647-4004 (Canadá).
La luz LED destella dos veces con intervalos de un segundo.	Gire las ruedas del limpiador para asegurarse de que no están trabadas. Verifique si hay desechos en los cepillos. Inicie un ciclo de limpieza nuevo. Si el problema persiste, comuníquese con Soporte Técnico de Polaris (EE. UU.) llamando al 1-800-822-7933; 1-888-647-4004 (Canadá).
La luz LED destella tres veces con intervalos de un segundo.	Busque residuos dentro del eje de la bomba. Busque residuos dentro del impulsor. Limpie el filtro. Inicie un ciclo de limpieza nuevo. Si el problema persiste, comuníquese con Soporte Técnico de Polaris (EE. UU.) llamando al 1-800-822-7933; 1-888-647-4004 (Canadá).

7.2 Solución de problemas generales

La siguiente tabla describe algunos de los síntomas, las causas y las soluciones comunes para corregir los problemas de funcionamiento del limpiador.

Problema	Causa	Solución
El indicador de error en el limpiador destella justo después del encendido (ya sea al presionar el botón Power o Floor/Wall por menos de 20 segundos).	Es posible que el cable flotante no esté conectado en la unidad de control como corresponde.	Desconecte el cable flotante de la unidad de control y vuelva a conectarlo.
	Es posible que el limpiador no esté sumergido por completo.	Saque el limpiador de la piscina y vuelva a sumergirlo, vea <i>Inmersión del limpiador</i> .
	Es posible que sea necesario resetear y comenzar un ciclo nuevo.	Presione el botón de APAGADO, luego el botón de configuración Floor/Wall (Piso/pared) para comenzar un nuevo ciclo.
	Es posible que el impulsor esté trabado y no gire correctamente.	Comuníquese con soporte técnico de Polaris llamando al 1-800-822-7933 (EE.UU.); 1-888-647-4004 (Canadá).
	Es posible que las ruedas estén trabadas y no giren como corresponde.	Comuníquese con soporte técnico de Polaris llamando al 1-800-822-7933 (EE.UU.); 1-888-647-4004 (Canadá).
El indicador de error del limpiador destella durante el ciclo de limpieza.	Es posible que el limpiador esté succionado aire (las luces aparecerán luego de 60 segundos de la succión de aire).	Saque el limpiador de la piscina y vuelva a sumergirlo. Véase <i>Inmersión del limpiador</i> .
El limpiador no se mantiene firmemente en el fondo de la piscina.	Hay aire en la carcasa del aparato.	Saque el limpiador de la piscina y vuelva a sumergirlo. Véase <i>Inmersión del limpiador</i> .
	El cartucho del filtro está lleno o sucio.	Limpie el cartucho del filtro; consulte <i>Limpieza del cartucho del filtro</i> .
	El impulsor está dañado.	Comuníquese con soporte técnico de Polaris llamando al 1-800-822-7933 (EE.UU.); 1-888-647-4004 (Canadá).
El limpiador no sube por las paredes de la piscina o no limpia hasta la línea de flotación.	El cartucho del filtro está lleno o sucio.	Limpie el cartucho del filtro; consulte <i>Limpieza del cartucho del filtro</i> .
	Las paredes de la piscina están resbaladizas o limosas. Aunque el agua parezca clara, hay algas microscópicas, invisibles para el ojo humano, presentes en la piscina. Como resultado, las paredes de la piscina se vuelven resbaladizas y evitan que el limpiador pueda subir. Revise si las pistas y los cepillos están desgastados y reemplácelos según sea necesario.	Ajuste la configuración del Surface Control System™; vea <i>Limpieza de paredes</i> . Realice un tratamiento intensivo de cloración para reducir los niveles de pH en la piscina. NO deje el limpiador en la piscina durante este tratamiento.
El limpiador no se mueve al encenderlo.	No hay suministro de energía hacia el limpiador.	Verifique que el tomacorriente antedicho está recibiendo energía eléctrica.
	El limpiador se apagó con un código de error o luces destellantes.	Desconecte la unidad de control y espere al menos 20 segundos antes de reconectar. Si el problema persiste, comuníquese con soporte técnico de Polaris llamando al 1-800-822-7933 (EE.UU.); 1-888-647-4004 (Canadá).
El limpiador se detiene hasta 20 segundos durante el ciclo de limpieza.	El limpiador está realizando el proceso de calibración normal.	Ninguna acción del usuario requiere. Después de un máximo de 20 segundos, el limpiador se reanudará el movimiento. La pausa no afecta el ciclo de limpieza.
El cable se enreda en la piscina.	La longitud del cable en el agua es excesiva.	No desenrolle toda la longitud del cable. Use solo la cantidad necesaria para que el limpiador cubra el área de la piscina. Coloque el resto del cable sin utilizar a un lado de la piscina. Siga el procedimiento descrito en la sección <i>Enredo del cable</i> para evitar que el cable se enrede.
El limpiador no está limpiando eficazmente.	Los cepillos se han tornado suaves o el indicador de "desgaste" está visible.	Reemplace los cepillos, siguiendo el procedimiento indicado en <i>Reemplazo de los cepillos</i>
	El cartucho del filtro está lleno o sucio.	Limpie el cartucho del filtro según el procedimiento descrito en <i>Limpieza del cartucho del filtro</i> .
	El cable flotador está excesivamente enrollado o enredado.	Asegúrese de que el cable flotador esté extendido sobre la piscina. Asegúrese de que el cable no esté enrollado con demasiada tensión o de que no se enrede al guardarlo. Si el problema continúa, ponga el cable directamente bajo el sol para que se ablande y luego elimine las retorceduras. Siga el procedimiento descrito en la sección <i>Enredo del cable</i> para evitar que el cable se enrede.

NOTAS

NOTAS

Zodiac Pool Systems, Inc.

2620 Commerce Way, Vista, CA 92081
1.800.822.7933 | www.ZodiacPoolSystems.com

Zodiac Pool Systems Canada, Inc.

2115 South Service Road West, Unit 3
Oakville, Ontario • Canada L6L 5W2
1.888.647.4004 | www.ZodiacPoolSystems.ca

POLARIS® and the Polaris 3-wheeled cleaner design are registered trademarks of Zodiac Pool Systems, Inc.

ZODIAC® is a registered trademark of Zodiac International, S.A.S.U., used under license. All other trademarks referenced herein are the property of their respective owners.

POLARIS® et le design de robot nettoyeur à 3 roues Polaris sont des marques déposées de Zodiac Pool Systems, Inc.

ZODIAC® est une marque déposée de Zodiac International, S.A.S.U., utilisée sous licence. Toutes les autres marques déposées mentionnées dans le présent document appartiennent à leurs propriétaires respectifs.

POLARIS® y el diseño de limpiador Polaris de 3 ruedas son marcas registradas de Zodiac Pool Systems, Inc.

ZODIAC® es una marca registrada de Zodiac International, S.A.S.U., usada bajo licencia. Todas las demás marcas registradas a las que se hace aquí referencia son propiedad de sus respectivos propietarios.

©2016 Zodiac Pool Systems, Inc. H0429900 Rev F

