

APPROVED

# INSTALLATION AND OPERATION MANUAL

## Gas-Fired Pool and Spa Heater

Bronze ASME and Polymer  
Atmospheric Heat Exchanger Models  
206A, 266, 266A, 336A, 399, and 406A



BR models only



**▲ WARNING:** If the information in the instructions is not followed exactly, a fire or explosion may result causing property damage, personal injury or death.

- Do not store or use gasoline or other flammable vapors and liquids or other combustible materials in the vicinity of this or any other appliance. To do so may result in an explosion or fire.

**- WHAT TO DO IF YOU SMELL GAS**

- Do not try to light any appliance.
- Do not touch any electrical switch; do not use any phone in your building.
- Immediately call your gas supplier from a neighbor's phone. Follow the gas supplier's instructions.
- If you cannot reach your gas supplier, call the fire department.

- Installation and service must be performed by a qualified installer, service agency or the gas supplier.

This manual should be maintained in legible condition and kept adjacent to the heater or in a safe place for future reference.

Effective: 11-10-21  
Replaces: 08-27-21  
P/N 241236 Rev. 41

UNCONTROLLED DOCUMENT IF PRINTED

## QUICK START GUIDE

### CLEARANCES

- Space required: See **page 12**.
- Minimum and service clearances: See **page 7** for clearances table. Note that local codes prevail.

### PIPING

- Pressure relief valve: See **page 20** for recommended PRV orientation.
- Flow rates: See **page 17** for flow rate values.

### GAS

- Distance to regulator (pipe lengths) and gas inlet sizes: See **page 17**.
- Required pressure for Natural Gas:  
Min = 6" WC, Max = 10.5" WC
- Required pressure for Propane Gas:  
Min = 12" WC, Max = 13" WC
- Sediment trap is required for all installations.  
See **page 15**.

### WATER CHEMISTRY

- Water chemistry requirements: See **page 5**.

### POWER

- Supply voltage: See **page 23** for acceptable input voltages.

### VENTING

- Materials: See **pages 11** and **14**.
- D-2 Power Vent Kit: See **page 14**.
- Indoor Stack: See **page 11**.

### CONTROLS INTERFACE

- Wiring diagrams: See **pages 24** and **25**.
- User interface: See **pages 26** and **27**.
- Remote operation: See **page 30**.

---

#### Revision 41 reflects the following changes:

Updated both coversheet CSA logos. Added "recommendation" notice to the Installation section. Table Q: Added "Is Open" to High Limit cells. Added new section "High Limit Events" and supporting Figure 51 to "Status and Diagnostics" section. Added additional service kit information support for Troubleshooting's "Harmonics and Whining" section. IPL: Removed "Units manufactured from 12/2019" from item "6-M", Removed the "PRV 125 PSI" option in its entirety.

## TABLE OF CONTENTS

<b>1. WARNINGS</b> .....	<b>4</b>	<b>6. WIRING DIAGRAM - MILLIVOLT</b> .....	<b>24</b>
Pay Attention to These Terms .....	4	<b>7. WIRING DIAGRAM - DIGITAL</b> .....	<b>25</b>
<b>2. WATER CHEMISTRY</b> .....	<b>5</b>	<b>8. CONTROLS</b> .....	<b>26</b>
Automatic Chlorinators and Chemical Feeders.....	5	Control Panel Removal .....	26
<b>3. BEFORE INSTALLATION</b> .....	<b>6</b>	Control Adjustments - Millivolt Models .....	26
Receiving equipment.....	6	Control Adjustments – Digital Models .....	27
Rating and certifications.....	6	Operation .....	27
Elevation .....	6	Status and Diagnostics .....	29
Ambient Temperature Rating .....	6	Remote Control Wiring - Digital Models Only.....	30
<b>4. INSTALLATION</b> .....	<b>7</b>	<b>9. OPERATING INSTRUCTIONS</b> .....	<b>36</b>
Installation Codes.....	7	Before Start-Up .....	36
Clearances .....	7	Start-Up Procedures .....	36
Outdoor Heater Installation .....	8	Visual inspection .....	36
Combustion and Ventilation Air .....	11	Water Pressure Switch.....	36
Vent Piping .....	14	<b>10. MAINTENANCE AND CARE</b> .....	<b>39</b>
D-2 Power Vent Kit.....	14	Cold Weather Operation .....	39
Gas Supply Connections.....	15	<b>11. TROUBLESHOOTING</b> .....	<b>40</b>
Flow Rate .....	17	Millivolt - Flow Chart.....	42
ProTek Shield Assembly.....	18	Digital - Flow Chart.....	43
Unitherm Governor Operation.....	19	Control Logic - Flow Chart - Digital .....	44
Internal Automatic Bypass Valve.....	19	<b>12. REPLACEMENT PARTS</b> .....	<b>45</b>
External Auxiliary Bypass Valve .....	19	<b>13. ILLUSTRATED PARTS LIST</b> .....	<b>46</b>
Auxiliary Bypass Valve Adjustment .....	20		
Pressure Relief Valve Installation.....	20		
Heat Exchanger Reversal .....	20		
Plumbing Diagrams.....	21		
<b>5. ELECTRICAL WIRING</b> .....	<b>22</b>		
Millivolt Models ("M" suffix) .....	22		
Digital Models ("E" suffix).....	22		
Electrical Power Draw .....	23		
Transformer Wiring .....	23		

# 1. WARNINGS

## Pay Attention to These Terms

<b>▲ DANGER</b>	Indicates the presence of immediate hazards which will cause severe personal injury, death or substantial property damage if ignored.
<b>▲ WARNING</b>	Indicates the presence of hazards or unsafe practices which could cause severe personal injury, death or substantial property damage if ignored.
<b>▲ CAUTION</b>	Indicates the presence of hazards or unsafe practices which could cause minor personal injury or product or property damage if ignored.
<b>CAUTION</b>	CAUTION used without the warning alert symbol indicates a potentially hazardous condition which could cause minor personal injury or product or property damage if ignored.
<b>NOTE</b>	Indicates special instructions on installation, operation, or maintenance which are important but not related to personal injury hazards.

**▲ DANGER:** Failure to install the draft hood on indoor installation and properly vent the heater to the outdoors as outlined in the venting section of this manual can result in unsafe operation of the heater. To avoid the risk of fire, explosion, or asphyxiation from carbon monoxide, never operate this heater unless it is properly vented and has an adequate air supply for proper operation. Be sure to inspect the vent system for proper installation at initial start-up, and at least annually thereafter. Refer to the venting section of this manual for more information regarding vent system inspections.

**▲ WARNING:** To minimize the possibility of improper operation, serious personal injury, fire, or damage to the heater:

- Always keep the area around the heater free of combustible materials, gasoline, and other flammable liquids and vapors.
- Heater should never be covered or have any blockage to the flow of fresh air to the heater.

**▲ WARNING:** This unit contains refractory ceramic fiber (RCF) insulation in the combustion chamber. RCF, as manufactured, does not contain respirable crystalline silica. However, following sustained exposure to very high temperatures [ $>2192^{\circ}\text{F}$  ( $1200^{\circ}\text{C}$ )], the RCF can transform into crystalline silica (cristabolite). The International Agency for Research on Cancer (IARC) has classified the inhalation of crystalline silica (cristabolite) as carcinogenic to humans.

When removing the burners or heat exchangers, take precautions to avoid creating airborne dust and avoid inhaling airborne fibers. When cleaning spills, use wet sweeping or High Efficiency Particulate Air (HEPA) filtered vacuum to minimize airborne dust. Use feasible engineering controls such as local exhaust ventilation or dust collecting systems to minimize airborne dust. Wear appropriate personal protective equipment including gloves, safety glasses with side shields, and appropriate NIOSH-certified respiratory protection, to avoid inhalation of airborne dust and airborne fiber particles.

**▲ WARNING:** Improper installation, adjustment, alteration, service, or maintenance can cause property damage, personal injury or loss of life. Installation and service must be performed by a qualified installer, service agency, or the gas supplier.

**▲ WARNING:** Gasoline, as well as other flammable materials and liquids (adhesives, solvents, etc.), and the vapors they produce, are extremely dangerous. Do not handle, use, or store gasoline or other flammable or combustible materials in the vicinity of a heater.

**▲ WARNING:** Both natural gas and propane have an odorant added to aid in detecting a gas leak. Some people may not physically be able to smell or recognize this odorant. If you are unsure or unfamiliar with the smell of natural gas or propane, ask your local gas supplier. Other conditions, such as “odorant fade,” which causes the odorant to diminish in intensity, can also hide, camouflage, or otherwise make detecting a gas leak by smell more difficult.

**▲ WARNING:** UL-recognized fuel gas detectors are recommended in all enclosed propane and natural gas applications wherein there is a potential for an explosive mixture of fuel gas to accumulate and their installation should be in accordance with the detector manufacturer’s recommendations and/or local laws, rules, regulations, or customs.

**▲ WARNING:** Do not install within 3 feet (0.9 m) of a heat pump or an outdoor condensing unit. Strong air intake from this type of equipment can disturb the combustion process and cause damage or personal injury.

**▲ WARNING:** The heater shall not be located in an area where water sprinklers, or other devices, may cause water to spray through the cabinet louvers and into the heater. This could cause internal rusting or damage electrical components. Such damage is not covered under warranty.

**▲ CAUTION:** Elevated water temperature can be hazardous. The U.S. Consumer Product Safety Commission has these guidelines:

1. Spa water temperatures should never exceed 104°F (40°C). A temperature of 100°F (38°C) is considered safe for a healthy adult. Special caution is suggested for young children.
2. Drinking of alcoholic beverages before or during spa or hot tub use can cause drowsiness which could lead to unconsciousness and subsequently result in drowning.
3. Pregnant Women Beware! Soaking in water over 102°F (39°C) can cause fetal damage during the first three months of pregnancy resulting in the birth of a brain-damaged or deformed child. Pregnant women should stick to the 100°F (38°C) maximum rule.
4. Before entering the spa or hot tub, users should check the water temperature with an accurate thermometer; spa or hot tub thermostats may err in regulating water temperatures by as much as 4°F (2.2°C).
5. Persons with a medical history of heart disease, circulatory problems, diabetes, or blood pressure problems should obtain a physician's advice before using pools or hot tubs.
6. Persons taking medications which induce drowsiness, such as tranquilizers, antihistamines, or anticoagulants, should not use spas or hot tubs.

**▲ CAUTION:** Propane gas is heavier than air and will settle on the ground. Since propane can accumulate in confined areas, extra care should be exercised when lighting propane heaters.

**NOTE:** It is recommended that the pump be run at least 5 minutes after the heater has been turned off. This helps in taking away residual heat from the heat exchanger, thus prevents the safety hi-limits from tripping due to residual heat after the heater is turned off.

**WARNING:** Risk of fire. It is recommended that CO monitor and fire alarm be utilized in rooms that contain gas fired appliances.

## 2. WATER CHEMISTRY

**NOTE:** Damage due to poor water chemistry is not a warrantable defect.

Chemical imbalance can cause severe damage to your heater and associated equipment. Maintain your water chemistry according to **Table A**. If the mineral content and dissolved solids in the water become too high, scale forms inside the heat exchanger tubes, reducing heater efficiency and damaging the heater. If the pH drops below 7.2, this will cause corrosion of the heat exchanger and severely damage the heater. **Heat exchanger damage resulting from chemical imbalance is not covered by the warranty.**

For your health and the protection of your pool equipment, it is essential that your water be chemically balanced. The following levels must be used as a guide for balanced water.

**▲ CAUTION:** Free chlorine must not exceed 5 ppm which can damage the heater and is not covered under warranty.

- Occasional chemical shock dosing of the pool or spa water should not damage the heater providing the water is balanced.
- Automatic chemical dosing devices and salt chlorinators are usually more efficient in heated water, unless controlled, they can lead to excessive chlorine level which can damage your heater.
- Check valve should be installed between the heater outlet and a chlorinator or other chemical dosing device.
- Further advice should be obtained from your pool or spa builder, accredited pool shop, or chemical supplier for the correct levels for your water.

### Automatic Chlorinators and Chemical Feeders

All chemicals must be introduced and completely diluted into the pool or spa water before being circulated through the heater. Do not place sanitizing chemicals in the

Recommended Level(s)	Fiberglass Pools	Fiberglass Spas	Other Pool and Spa Types
Water Temperature	68-88°F (20-31°C)	89-104°F (31-40°C)	68-104°F (20-40°C)
pH	7.3-7.4	7.3-7.4	7.6-7.8
Total Alkalinity (ppm)	120-150	120-150	80-120
Calcium Hardness (ppm)	200-300	150-200	200-400
Salt (ppm)	4500 Maximum	4500 Maximum	4500 Maximum
Free Chlorine (ppm)*	2-3	2-3	2-3
Total Dissolved Solids (ppm)	3000 Maximum**	3000 Maximum**	3000 Maximum**

\*Free Chlorine **MUST NOT EXCEED 5 ppm!**

\*\*In saltwater chlorinated pools, the total TDS can be as high as 6000 ppm.

skimmer. High chemical concentrations will result when the pump is not running (e.g. overnight).

Chlorinators must feed downstream of the heater and have an anti-siphoning device to prevent chemical backup into the heater when the pump is shut off.

See "Plumbing Diagrams" on page 21.

**NOTE:** High chemical concentrates from feeders and chlorinators that are out of adjustment will cause rapid corrosion to the heat exchanger. Such damage is not covered under the warranty.

**APPROVED**  
THE MODEL AND SERIAL NO. CAN  
ALSO BE FOUND INSIDE THE  
BEZEL ABOVE THE DISPLAY

MODEL AND SERIAL  
NO. LOCATED ON  
RATING PLATE

F10640-1

## 3. BEFORE INSTALLATION

### Receiving Equipment

The manufacturer recommends that this manual be reviewed thoroughly before installing the pool/spa heater. If there are any questions that this manual does not answer, please contact the factory or your local representative.

On receipt of your equipment visually check for external damage to the carton. If the carton is damaged, a note should be made on the Bill of Lading when signing for the equipment. Remove the heater from the carton. If it is damaged, report the damage to the carrier immediately. Save the carton.

These items are shipped inside a box in the carton with the heater:

#### Standard Unit (POLYMER HEADERS)

1. "Pagoda" top
2. 2" CPVC union half with "O" rings (2)
3. Plastic pipe finish flange for gas line
4. Bonding lug with mounting screw (Digital) models only)

#### ASME Unit (BRONZE HEADERS)

1. "Pagoda" top
2. 2" CPVC union half with "O" rings (2)
3. Plastic pipe finish flange for gas line
4. Bonding lug with mounting screw (Digital models only)
5. Pressure Relief Valve (PRV)
6. Protek Shield™ Adapter with Protek Shield Assy, O-ring and wing nut

Figure 1. Rating Plate Location

Be sure that you receive the number of packages indicated on the Bill of Lading.

### Rating and Certifications

These heaters are design-certified and tested under the latest requirements of the ANSI Z21.56 / CSA 4.7 Standard for Gas-Fired Pool Heaters. All heaters can be used either indoor or outdoors when appropriate venting is installed. The appropriate top designated for each type of use is required. If necessary, the top can be changed at a later date to change from outdoor to indoor or vice versa.

All Bronze header units have heat exchangers which are ASME-certified (BPV Section IV part HLW) and are registered with National Board.

### Elevation

Rated inputs are suitable for up to 2,000 ft (610 m) elevation. For elevations above 2,000 ft (610 m), reduce input 4% for each 1,000 ft (305 m) above sea level, as high elevation reduces combustion performance.

### Ambient Temperature Rating

#### Heater Components

Millivolt Heater with Honeywell Gas Valve 32°F to 175°F (0°C to 79°C)

Millivolt Heater with Robertshaw Gas Valve 0°F to 175°F (-18°C to 79°C)

Electronic Ignition Heater\* -32°F to 175°F (-35°C to 79°C)

\*Requires 120 or 240VAC, 1 Ph, 60 Hz Power Supply

## 4. INSTALLATION

**⚠ WARNING:** This unit contains refractory ceramic fiber (RCF) insulation in the combustion chamber. RCF, as manufactured, does not contain respirable crystalline silica. However, following sustained exposure to very high temperatures (>2192°F), the RCF can transform into crystalline silica (cristabolite). The International Agency for Research on Cancer (IARC) has classified the inhalation of crystalline silica (cristabolite) as carcinogenic to humans.

When removing the burners or heat exchangers, take precautions to avoid creating airborne dust and avoid inhaling airborne fibers. When cleaning spills, use wet sweeping or High Efficiency Particulate Air (HEPA) filtered vacuum to minimize airborne dust. Use feasible engineering controls such as local exhaust ventilation or dust collecting systems to minimize airborne dust. Wear appropriate personal protective equipment including gloves, safety glasses with side shields, and appropriate NIOSH-certified respiratory protection, to avoid inhalation of airborne dust and airborne fiber particles.

**IMPORTANT NOTICE:** These instructions are intended only for the use by qualified personnel, specifically trained and experienced in the installation of this type of heating equipment and related system components. Installation and service personnel may be required by some states to be licensed. If your state is such, be sure your contractor bears the appropriate license. Persons not qualified shall not attempt to fix the equipment nor attempt repairs according to these instructions.

**⚠ WARNING:** Improper installation, adjustment, alteration, service or maintenance may damage the equipment, creating a hazard resulting in asphyxiation, explosion or fire. Such damage is not covered under warranty.

**NOTE:** The heater should not be located in an area where possible water leakage will result in damage to the area adjacent to the heater or to the structure. When such locations cannot be avoided, it is recommended that a suitable drain pan, with adequate drainage, be installed under the heater. The pan must not restrict combustion air flow.

**RECOMMENDATION:** For regions with snow, Raypak recommends installing these units indoors.

## Installation Codes

Installation must be in accordance with local codes, or, in the absence of local codes, with the latest edition of the National Fuel Gas Code, ANSI Z223.1/NFPA54 and National Electrical Code, ANSI/NFPA 70, and for Canada, the latest edition of CAN/CSA-B149 Installation Codes, and Canadian Electrical Code, CSA C22.1 Part 1 and Part 2.

## Clearances

### All Heaters

For indoor and outdoor clearances from combustible surfaces, see the chart below.

Location	Indoor Installation
Top *	30" (762 mm) Drafthood
Front	Alcove (Open)
Vent	6" (152 mm)
Floor **	0"
Back	6" (152 mm)
Right Side	12" (305 mm) Water Side
Left Side	6" (152 mm) Opposite Water Side

Location	Outdoor Installation
Top *	Unobstructed (Outdoor Stack)
Top ***	36" (914 mm) (Stackless Top)
Floor	0"
Back	6" (152 mm)
Right Side	12" (305 mm) Water Side
Left Side	6" (152 mm) Opposite Water Side

\* Clearance from top of vent terminal

\*\* Do not install on carpeting

\*\*\* Clearance from top of heater

Table B. Minimum Clearances from Combustible Surfaces

**APPROVED**

When installed according to the listed minimum clearances from combustible construction, the pool heater can still be serviced without removing permanent construction around the heater.

However, for ease of servicing, we recommend a clearance of at least 24" (610 mm) in the front, and at least 18" (457 mm) on the water connection side. This will enable the heater to be serviced in its installed location, that is, without movement or removal of the heater.

Description	Location	Distance in. (mm)
a. 3-1/2" (89 mm) thick masonry walls without ventilated air space	Back	9 (229)
	Right	9 (229)
	Left	9 (229)
	Vent	5 (127)
	Indoor Top	39 (991)
	Outdoor Top	Unobstructed
b. 1/2" (13 mm) insulation board over 1" (25 mm) glass fiber or mineral wool batts	Back	6 (152)
	Right	6 (152)
	Left	6 (152)
	Vent	3 (76)
	Indoor Top	30 (762)
	Outdoor Top	Unobstructed
c. 0.024" sheet metal over 1" (25 mm) glass fiber or mineral wool batts reinforced with wire on rear face with ventilated air space	Back	4 (102)
	Right	4 (102)
	Left	4 (102)
	Vent	3 (76)
	Indoor Top	24 (610)
	Outdoor Top	Unobstructed
d. 3-1/2" (89 mm) thick masonry wall with ventilated air space	Back	6 (152)
	Right	6 (152)
	Left	6 (152)
	Vent	6 (152)
	Indoor Top	39 (991)
	Outdoor Top	Unobstructed
e. 0.024" sheet metal with ventilated air space	Back	4 (102)
	Right	4 (102)
	Left	4 (102)
	Vent	2 (51)
	Indoor Top	24 (610)
	Outdoor Top	Unobstructed
f. 1/2" (13 mm) thick insulation board with ventilated air space	Back	4 (102)
	Right	4 (102)
	Left	4 (102)
	Vent	3 (76)
	Indoor Top	24 (610)
	Outdoor Top	Unobstructed
g. 0.024" sheet metal with ventilated air space over 0.024 sheet metal with ventilated air space.	Back	4 (102)
	Right	4 (102)
	Left	4 (102)
	Vent	3 (76)
	Indoor Top	24 (610)
	Outdoor Top	Unobstructed
h. 1" (25 mm) glass fiber or mineral wool batts sandwiched between two sheets 0.024 sheet metal with ventilated air space	Back	4 (102)
	Right	4 (102)
	Left	4 (102)
	Vent	3 (76)
	Indoor Top	24 (610)
	Outdoor Top	Unobstructed

Derived from National Fuel Gas Code, Table 10.2.3

**Table C. Reduction of Clearances to Protected Surfaces**

Clearances less than these may require removal of the heater to service either the heat exchanger or the burner tray. In either case, the heater must be installed in a manner that will enable the heater to be serviced without removing any structure around the heater.

**Flooring**

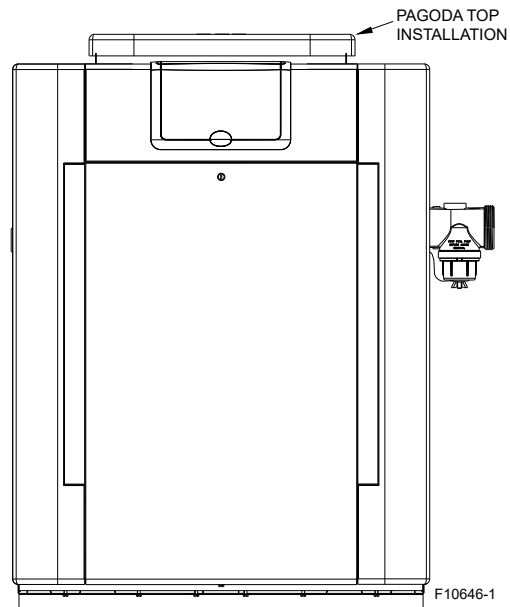
This heater can be installed on combustible flooring. The combustible clearances listed can be reduced by protecting the exposed combustible surfaces as shown in Table C.

**Outdoor Heater Installation**

These heaters are design-certified for outdoor installation, when equipped with the approved tops designated for outdoor use.

**⚠ WARNING:** The heater shall not be located in an area where water sprinklers, or other devices, may cause water to spray through the cabinet louvers and into the heater. This could cause internal rusting or damage electrical components. Such damage is not covered under warranty.

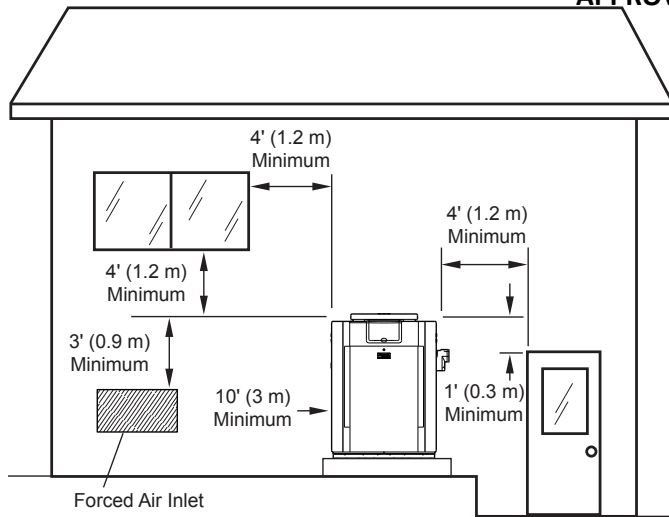
**⚠ WARNING:** Do not install within 3' (0.9 m) of a heat pump or an outdoor condensing unit. Strong air intake from this type of equipment can disturb the combustion process and cause damage or personal injury.



**Figure 2. Heater with Outdoor Stackless Top**



APPROVED



**Figure 3. Minimum Distances to Building Openings from Where Flue Products Exit the Boiler**

Heaters must not be installed under an overhang of less than 3' (0.9 m) from the top of the heater. Three sides must be open in the area under the overhang. Roof water drainage must be diverted away from the heaters installed under overhangs with the use of gutters.

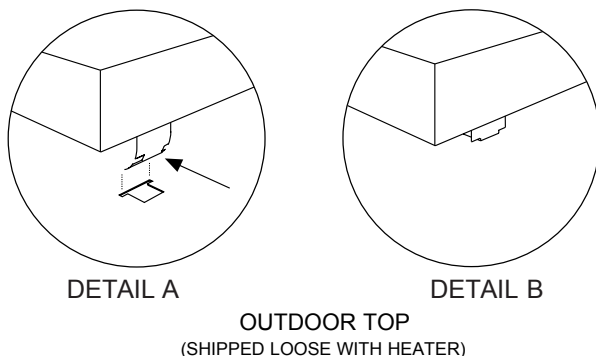
**For U.S. installations,** the point from where the flue products exit the heater must be a minimum of 4' (1.2 m) below, 4' (1.2 m) horizontally from, or 1' (0.3 m) above any door, window or gravity inlet into any building. The top surface of the heater shall be at least 3' (0.9 m) above any forced air inlet, or intake ducts located within 10' (3 m) horizontally.

**For Canadian installations,** pool heaters shall not be installed with the top of the vent assembly within 10' (3 m) below, or to either side, of any opening into the building. Refer to the latest revisions of CAN/CSA-B149.

A minimum of 6' (1.8 m) is required from the heater to an inside corner wall for proper outdoor venting.

### Pagoda Top Installation

1. Insert tabs into keyhole (4 places). See **Figure 4**, detail A.
2. Snap tabs into keyholes so as not to pull out. See **Figure 4**, detail B.



**Figure 4. Outdoor Top Installation**

**For installations in Florida and Texas,** that must comply with the Florida or Texas Building Code, follow the directions shown in **Figure 5** for the installation of hurricane tie-down brackets for all models.

### Indoor Heater Installation

The heater is also design-certified for indoor installation when equipped with the approved draft hood and a code-compliant vent stack.

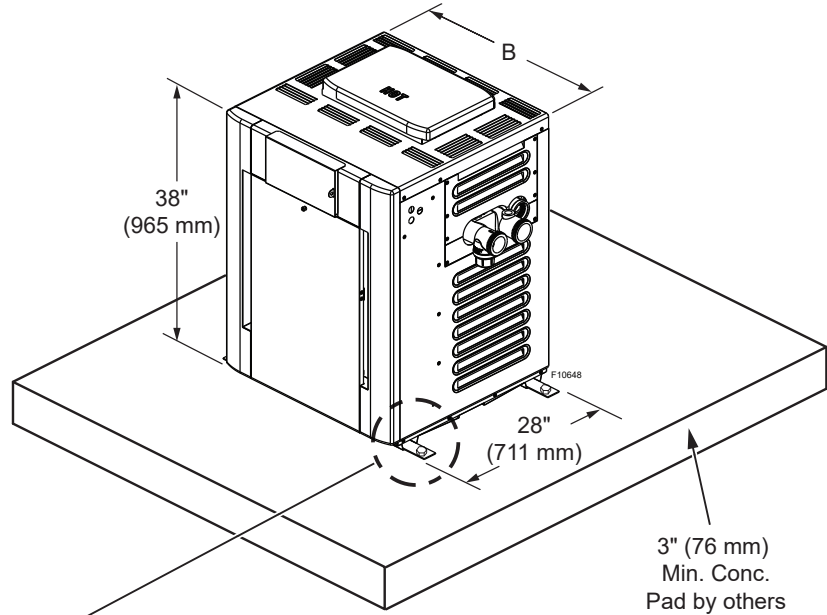
For Canada, indoor installation is restricted to an enclosure that is not occupied and does not directly communicate with an occupied area. Refer to the latest edition of CAN/CSA-B149 for specific requirements. Locate heater as close as is practical to a chimney or gas vent. Heater must always be vented to the outside. See section "**Vent Piping**" on page 14 for details. Minimum allowable space is shown on the nameplate.

**⚠ WARNING:** Indoor heaters require a draft hood that must be connected to a vent pipe and properly vented to the outside. Failure to follow this procedure can cause fire or fatal carbon monoxide poisoning.

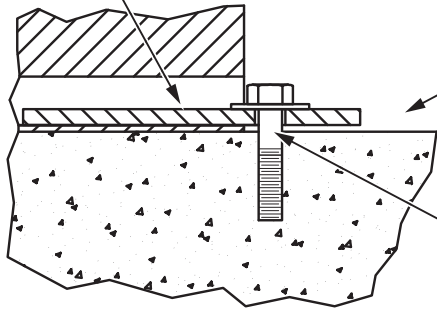
APPROVED

FLORIDA AND TEXAS BUILDING CODES  
 WIND SPEED = 150 MPH, 3 SECOND GUST  
 EXPOSURE = C

Model	B in. (mm)
206A	20 (508)
266/266A	23 (584)
336A	26 (660)
399/406A	29 (737)

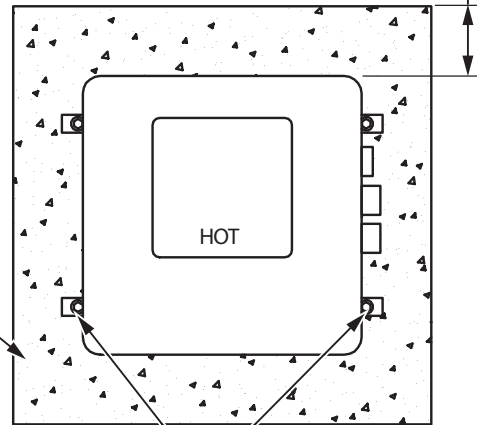
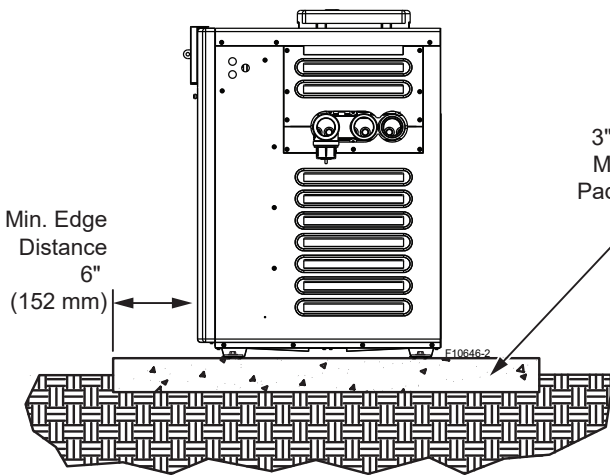


2" x 6" x 1/8" Pallet  
 Anchor Bracket (4 Total) (Kit# 011636)



1/4" x 2-1/4" S.S.  
 Tapcon Bolt and Washer (Field-Supplied)  
 NOTE: Use hole closest to unit with  
 washer overlapping edge of unit.

Min. Edge  
 Distance  
 6"  
 (152 mm)



(1)-1/4" x 2-1/4" S.S.  
 Tapcon Bolt & Washer (Field-Supplied)  
 Ea. Pallet Anchor Bracket  
 Use hole closest to unit (4 total)

(1)-1/4" x 2-1/4" S.S.  
 Tapcon Bolt & Washer (Field-Supplied)  
 Ea. Pallet Anchor Bracket  
 Use hole closest to unit (4 total)

Figure 5. Hurricane Tie-Down Bracket Installation  
 UNCONTROLLED DOCUMENT IF PRINTED

## Outdoor and Indoor Stacks

The outdoor and indoor stacks are optional equipment and do not come standard with the heater. Refer to installation instructions inside box for instructions on how to install outdoor/indoor stack.

Model	Outdoor Stack	Indoor Stack
206A	009834	009838
266/266A	009835	009839
336A	009836	009840
399/406A	009837	009841

Table D. Outdoor and Indoor Stack Kit Number

### OUTDOOR STACK KIT

- (1) Outdoor draffhood, painted
- (1) Adapter plate
- (3) Mounting brackets (clips)
- (1) Top panel cover
- (2) 1-foot sections of metal tape
- (3) Screws
- (1) Instructions

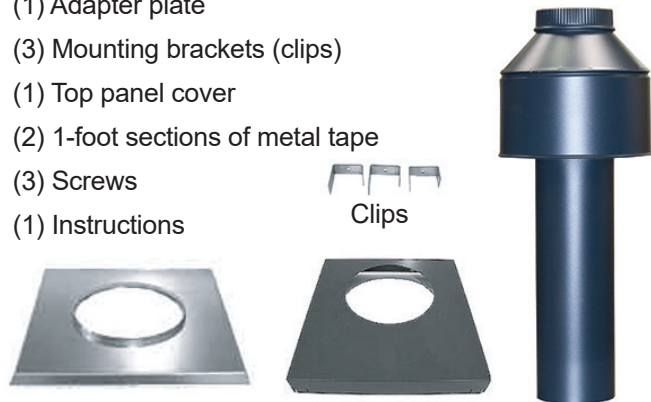


Figure 6. Outdoor Stack Kit Components

**NOTE:** The outdoor draffhood kit does not require any additional vent pipe for proper operation. This draffhood functions as the vent termination.

### INDOOR STACK KIT

- (1) Draffhood, unpainted
- (1) Adapter plate
- (3) Mounting brackets (clips)
- (3) Screws
- (1) Instructions

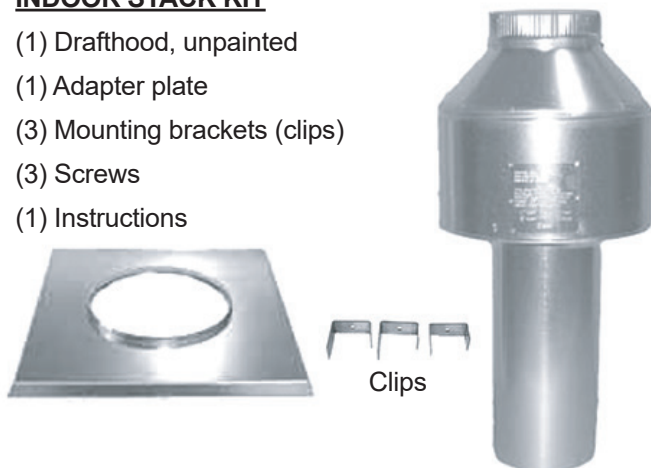


Figure 7. Indoor Stack Kit Components

## Combustion and Ventilation Air

### Indoor Units Only

The heater must have both combustion and ventilation air. The minimum requirements are listed in the latest edition of the National Fuel Gas Code (U.S. ANSI Z223.1 or Canada CAN/CSA-B149) and any local codes that may have jurisdiction. The most common approach is the "2-opening" method, with combustion air opening no more than 12" from the floor and the ventilation opening no more than 12" from the ceiling. For opening sizes using this method, see below.

#### All Air from Inside the Building:

Each opening shall have a minimum net free area as noted:

Model	Sq. in. (m <sup>2</sup> )
206A	200 (0.13)
266/266A	266 (0.17)
336A	333 (0.21)
399/406A	399 (0.26)

Table E. Opening Minimum Net Free Requirements - Indoor Air

#### All Air from Outdoors:

When air is supplied directly from outside the building, each opening shall have a minimum net free area as noted:

Model	Unrestricted Opening sq. in. (m <sup>2</sup> )	Typical Screened or Louvered Opening sq. in. (m <sup>2</sup> )	Typical Screened and Louvered Opening sq. in. (m <sup>2</sup> )
206A	50 (0.03)	75 (0.05)	100 (0.06)
266/266A	67 (0.04)	101 (0.06)	134 (0.09)
336A	84 (0.05)	126 (0.08)	168 (0.11)
399/406A	100 (0.06)	150 (0.1)	200 (0.13)

Table F. Opening Minimum Net Free Requirements - Outdoor Air

**CAUTION:** Combustion air must not be contaminated by corrosive chemical fumes which can damage the heater. Such damage will not be covered by the warranty.

Specifications and Dimensions

Amp Draw	
120 VAC, 1Ph, 60Hz	240 VAC, 1Ph, 60Hz
4	2

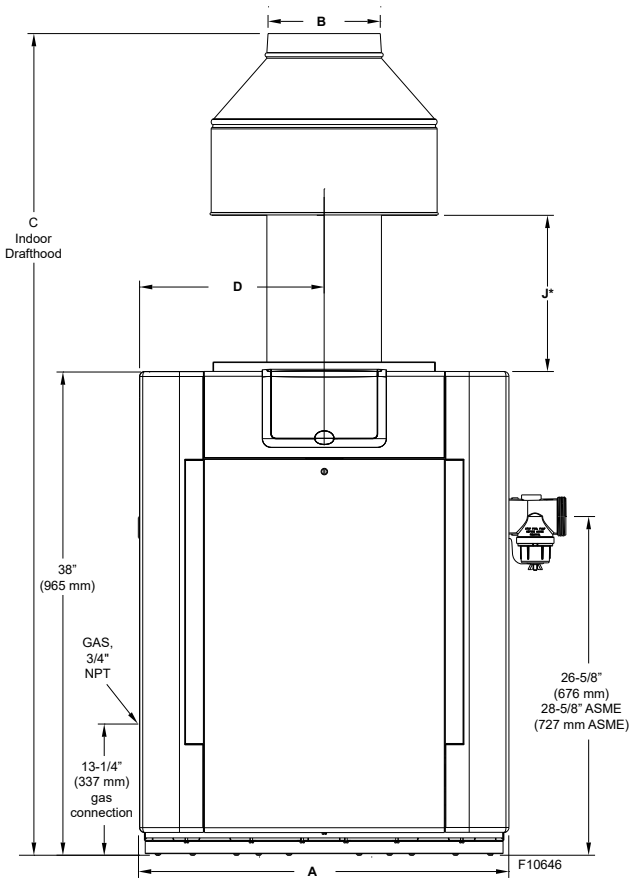


Figure 8. Front View

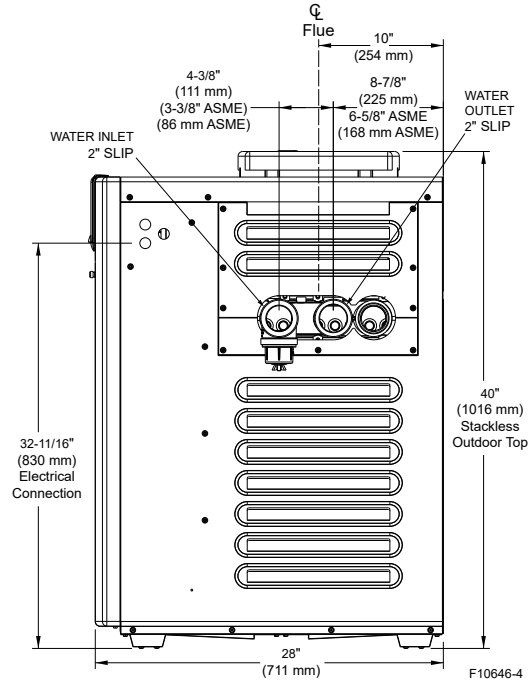


Figure 9. Side View

Residential - Copper Heat Exchanger							Shipping Weights lbs. (kg)	
Heater Mode	BTUH Input (kwh)	(A) Cabinet Width in. (mm)	(B) Flue Dia. in. (mm)	(C) Indoor Draft Hood in. (mm)	(D) in. (mm)	(J)* in. (mm)	Standard Heater w/Stackless Top	Indoor Draft-Hood
206A	199.5 (58.4)	20 (508)	6 (152)	61-5/8 (1565)	10.0 (254)	11-3/4 (298)	187 (85)	14 (6.4)
266/266A	266.0 (77.9)	23 (584)	7 (178)	62 (1575)	11.5 (292)	11 (279)	210 (95)	16 (7.3)
336A	332.5 (97.4)	26 (660)	8 (203)	63 (1600)	13 (330)	10-5/8 (270)	230 (104)	19 (8.6)
399/406A	399 (116.9)	29 (737)	9 (229)	64-9/16 (1640)	14.5 (368)	12-1/8 (309)	249 (113)	21 (9.5)

\*Note: For outdoor stack height, use "J" dimension for appropriate size plus 6 inches (152 mm).

Table G. Residential - Copper Heater Specifications and Dimensions

**APPROVED**

Residential - Cupronickel Heat Exchanger							Shipping Weights lbs. (kg)	
Heater Mode	BTUH Input (kwh)	(A) Cabinet Width in. (mm)	(B) Flue Dia. in. (mm)	(C) Indoor Drafthood in. (mm)	(D) in. (mm)	(J)* in. (mm)	Standard Heater w/Stackless Top	Indoor Draft-Hood
P-_206A-EN-X	180.0 (52.7)	20 (508)	6 (152)	61-5/8 (1565)	10.0 (254)	11-3/4 (298)	187 (85)	14 (6.4)
P-_266A-EN-X	240.0 (70.3)	23 (584)	7 (178)	62 (1575)	11.5 (292)	11 (279)	210 (95)	16 (7.3)
P-_336A-EN-X	300.0 (87.9)	26 (660)	8 (203)	63 (1600)	13 (330)	10-5/8 (270)	230 (104)	19 (8.6)
P-_406A-EN-X	360.0 (105.5)	29 (737)	9 (229)	64-9/16 (1640)	14.5 (368)	12-1/8 (309)	249 (113)	21 (9.5)

\*Note: For outdoor stack height, use "J" dimension for appropriate size **plus** 6 inches (152 mm).

**Table H. Residential - Cupronickel Heater Specification and Dimensions**

Commercial - ASME Copper or Cupronickel Heat Exchanger							Shipping Weights lbs. (kg)	
Heater Mode	BTUH Input (kwh)	(A) Cabinet Width in. (mm)	(B) Flue Dia. in. (mm)	(C) Indoor Drafthood in. (mm)	(D) in. (mm)	(J)* in. (mm)	ASME Heater w/Stackless Top	Indoor Draft-Hood
B-_206A-EN-(C or X)	199.5 (58.4)	20 (508)	6 (152)	61-5/8 (1565)	10.0 (254)	11-3/4 (298)	206 (94)	14 (6.4)
B-_266A-EN-(C or X)	266.0 (77.9)	23 (584)	7 (178)	62 (1575)	11.5 (292)	11 (279)	229 (104)	16 (7.3)
B-_336A-EN-(C or X)	332.5 (97.4)	26 (660)	8 (203)	63 (1600)	13 (330)	10-5/8 (270)	249 (113)	19 (8.6)
B-_406A-EN-(C or X)	399 (116.9)	29 (737)	9 (229)	64-9/16 (1640)	14.5 (368)	12-1/8 (309)	268 (122)	21 (9.5)

\*Note: For outdoor stack height, use "J" dimension for appropriate size **plus** 6 inches (152 mm).

**Table I. Commercial - Heater Specifications and Dimensions**

## Vent Piping

**⚠ WARNING:** Indoor heaters require a draft hood that must be connected to a vent pipe and properly vented to the outside. Failure to follow this procedure can cause fire or fatal carbon monoxide poisoning.

When properly installed outdoors, only the outdoor stackless top (provided) is required. If installed indoors, a draft hood is required, connected to a CATEGORY I (a heater that operates with a non-positive vent static pressure and a vent gas temperature that avoids excessive condensate production in the vent.) vent per the National Fuel Gas Code and local requirements.

Vent piping the same size as the draft hood outlet is recommended, however, when the total vent height is at least 10 ft (3 m) (draft hood relief opening to vent terminal), the vent pipe size may be reduced by no more than one (1) size as specified in Chapter 13 of the National Fuel Gas Code, ANSI Z223.1 (Canada - CAN/CSA-B149).

As much as possible, avoid long horizontal runs of vent pipe and too many elbows. If installation requires horizontal runs, the vent pipe must have a minimum of 1/4 in. per ft rise (20.8 mm per meter rise) and should be supported at not more than five foot (1.5 m) intervals.

Plumber's tape, criss-crossed, will serve to space both horizontal and vertical piping. Gas vents supported only by the flashing and extending above the roof more than 5 ft (1.5 m) should be securely guyed or braced to withstand snow and wind loads. We recommend use of insulated vent pipe spacers through the roof and walls.

For protection against rain or blockage by snow, the vent pipe must terminate with a vent cap which complies with the local codes or, in the absence of such codes, to the latest edition of the National Fuel Gas Code, ANSI Z223.1 (Canada - CAN/CSA-B149).

The discharge opening must be a minimum of 2' (0.6 m) vertically from the roof surface and at least 2' (0.6 m) higher than any part of the building within 8' (2.4 m). Vent stack shall be at least 5' (1.5 m) in vertical height above the draft hood outlet. The vent cap location shall have a minimum clearance of 4' (1.2 m) horizontally from, and in no case below, unless a 4' (1.2 m) horizontal distance is maintained, from electric meters, gas meters, regulators and relief equipment.

The weight of the vent stack or chimney must not rest on the heater draft hood. Support must be provided in compliance with applicable codes. The heater top and draft hood must be readily removable for maintenance and inspection. Vent pipe should be adequately supported to maintain proper clearances from combustible construction.

## APPROVED

Flue materials must be certified to CATEGORY I or better. Type "B" double-wall or equivalent vent pipe is recommended. A draft of -0.01" to -0.08" WC must be maintained. However, single-wall metal vent pipe may be used as specified in the latest edition of the National Fuel Gas Code, ANSI Z223.1 (Canada - CAN/CSA-B149).

## D-2 Power Vent Kit

Another option for an installation that requires horizontal runs is the D-2 power vent kit option.

Model	120 VAC P/N	240 VAC P/N
206A	010744	009832
266/266A	010744	009832
336A	010745	009833
399/406A	010745	009833

Table J. Power Vent Kit Part Numbers

**NOTE:** The D-2 Power Vent operates with a positive vent static pressure and with a vent gas temperature that prevents excessive condensate production in the vent, and as such, is a CATEGORY III appliance. For more information consult the D-2 Power Vent manual, (P/N: 241243). CATEGORY I vent material such as B-vent must not be used under CATEGORY III conditions.

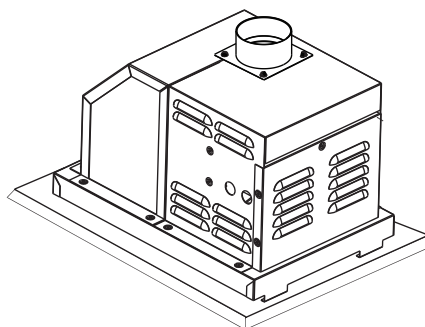


Figure 10. D-2 Power Vent Option

The power vent system is a fan-assisted vent system designed for use on models 206A-406A.

The power vent system, when installed as directed, is capable of operating in applications such as through-the-wall venting with reduced horizontal and vertical vent pipe sizes in new and current installations. The unit is factory-wired for 240 VAC, with capability of field-rewiring for 120 VAC.

For more information consult the D-2 Power Vent manual, (P/N: 241243). This manual can be found in the document library at [www.raypak.com](http://www.raypak.com).

**APPROVED**

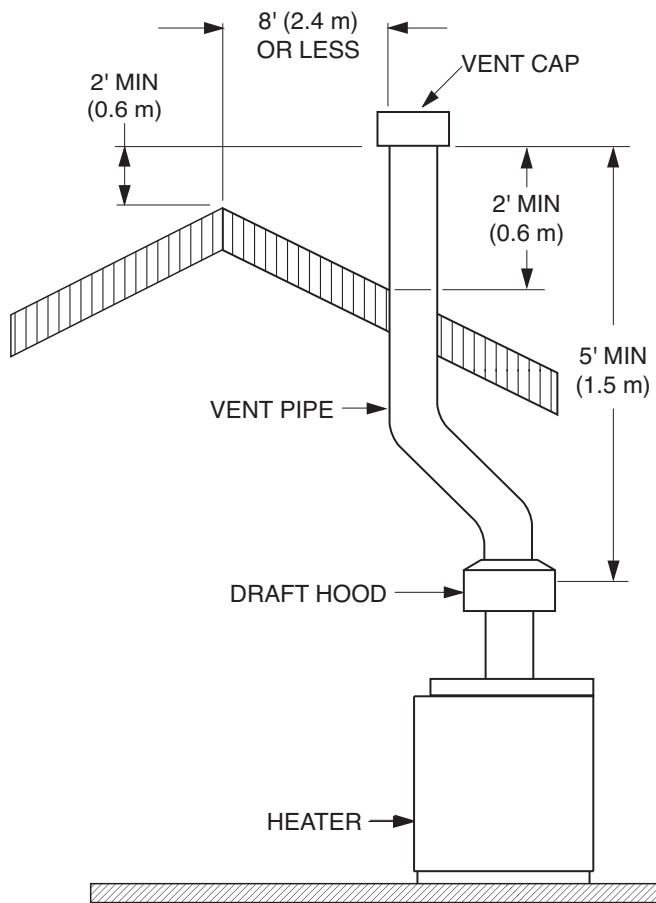


Figure 11. Venting Clearances

**NOTE:** For common venting of two or more heaters, contact the factory.

Gas piping must have a sediment trap ahead of the heater gas controls, and a manual shutoff valve located outside the heater jacket. All gas piping should be tested after installation in accordance with local codes.

**CAUTION:** The heater and its manual shutoff valve must be disconnected from the gas supply during any pressure testing of that system at test pressures in excess of 1/2 psi (3.45 kPa). Dissipate test pressure in the gas supply line before reconnecting the heater and its manual shutoff valve to gas supply line. **FAILURE TO FOLLOW THIS PROCEDURE MAY DAMAGE THE GAS VALVE. OVER-PRESSURIZED GAS VALVES ARE NOT COVERED BY WARRANTY.** The heater and its gas connections shall be leak tested before placing the appliance in operation. Use soapy water for leak test. **DO NOT** use open flame.

**Supply Pressure**

**CAUTION:** Do not use Teflon tape on gas line pipe thread. Only sealant tape or a pipe compound rated for use with natural and propane gases is recommended. Apply sparingly only on male pipe ends, leaving the two end threads bare.

A minimum of 6 in. WC and a maximum of 10.5 in. WC upstream pressure under load and no-load conditions must be provided for natural gas. A minimum of 12 in. WC and a maximum of 13 in. WC are required for propane gas under load and no-load conditions.

**Gas Pressure Regulator**

The gas pressure regulator is preset at 4.0 in. WC for natural gas, and 10.5 in. WC. for propane gas. The pressure at the gas valve, taken with a manometer, should be about 4.0 in. WC natural gas and 10.5 in. WC propane gas. If an adjustment is needed, remove seal and turn adjustment screw clockwise ↻ to increase pressure or counter-clockwise ↻ to decrease pressure.

**Gas Supply Connections**

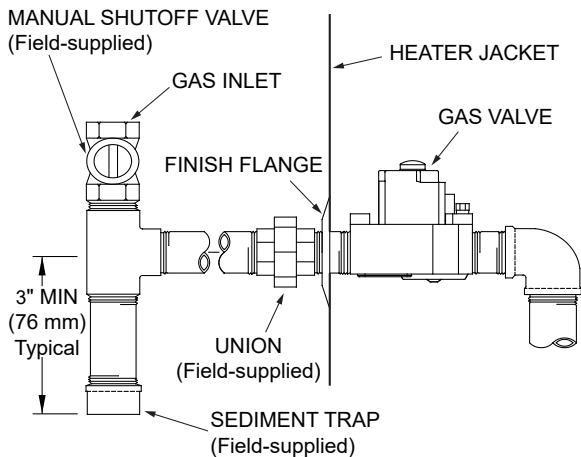


Figure 12. Gas Supply Plumbing

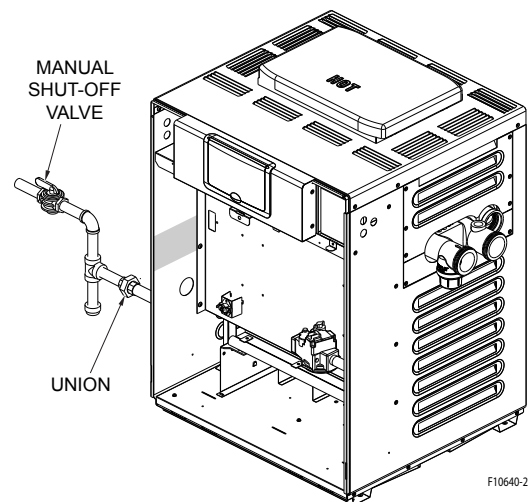


Figure 13. Manual Shutoff Valve Installation

# Gas Pressure Adjustment Locations

## Millivolt Gas Valve

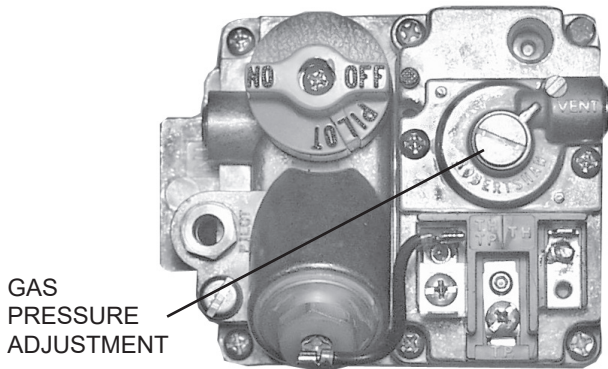


Figure 14. Robertshaw 7000 (Heater Models 206A - 406A)

## Electronic Ignition Gas Valves

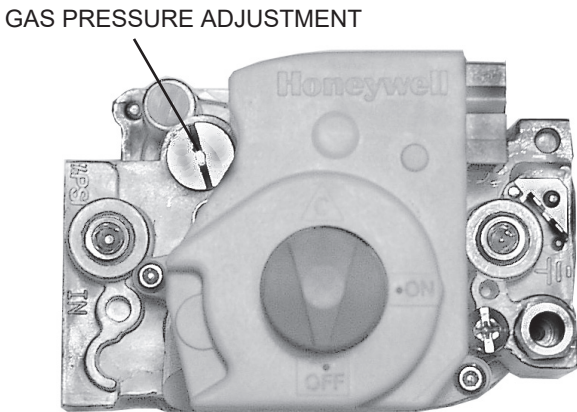


Figure 15. Honeywell VR8340 (Heater Models 206A - 406A)

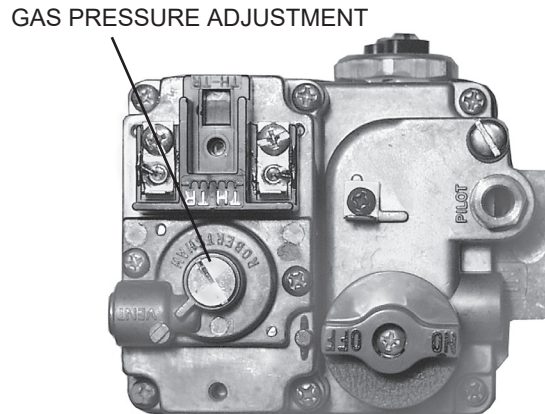


Figure 17. Robertshaw 7000 BDER (Heater Models 266A - 336A)

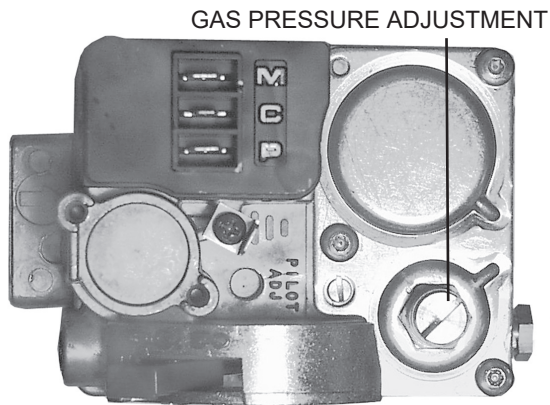


Figure 16. Robertshaw 7200 (Heater Model 206A)

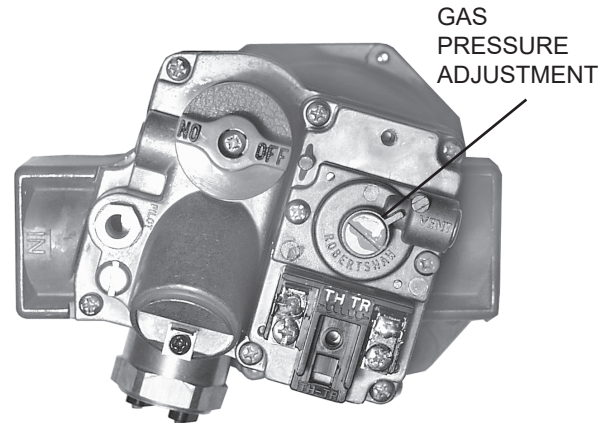


Figure 18. Robertshaw 7000 DERHC (Heater Model 406A)



### Pipe Sizing for Gas Connection

These capacities shown below based on using SCH 40 black iron pipe. For capacities using other materials, consult local code.

Maximum Equivalent Pipe Length (ft) (m)								
Natural Gas 1000 BTU/FT <sup>3</sup> 0.60 Specific Gravity @ 0.5 in WC Pressure Drop								
Propane Gas 2500 BTU/FT <sup>3</sup> 1.53 Specific Gravity @ 0.5 in WC Pressure Drop								
Model	3/4"		1"		1-1/4"		1-1/2"	
	NAT	PRO	NAT	PRO	NAT	PRO	NAT	PRO
206A	25 (7.6)	60 (18.3)	90 (27.4)	215 (65.5)	360 (109.7)			
266/266A	15 (4.6)	35 (10.7)	50 (15.2)	125 (38.1)	210 (64.0)	480 (146.3)	445 (135.6)	
336A	10 (3.0)	20 (6.1)	30 (9.1)	80 (24.4)	140 (42.7)	320 (97.5)	290 (88.4)	
399/406A	*	15 (4.6)	20 (6.1)	55 (16.8)	95 (29.0)	225 (68.6)	215 (65.5)	480 (146.3)

\* A 3/4" gas line can be used for up to 5' (1.5 m) maximum length from the gas valve in addition to the sediment trap.

Table K. Gas Pipe Sizing

### Flow Rate

Model	Pipe Size	Min. GPM (lpm)	Max. GPM (lpm)
206A	1-1/4"-1-1/2"-2"	20 (75)	100 (378)
266/266A	1-1/4"-1-1/2"-2"	25 (95)	100 (378)
336A	1-1/4"-1-1/2"-2"	35 (132)	100 (378)
399/406A	1-1/4"-1-1/2"-2"	40 (151)	100 (378)

\* When flow rates exceed maximum GPM an external auxiliary bypass valve is required. See external bypass valve section for details.

Table L. Min/Max Flow Rates

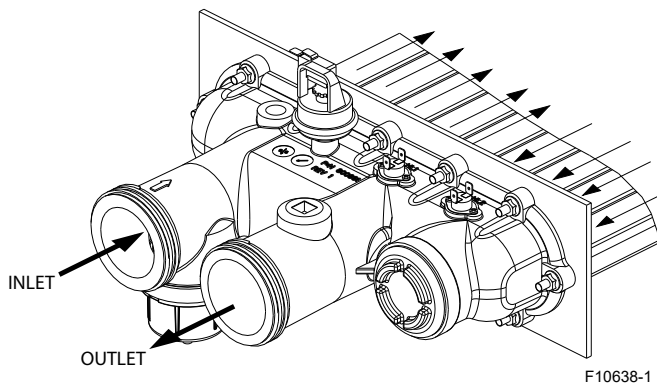


Figure 19. Polymer Header Water Flow

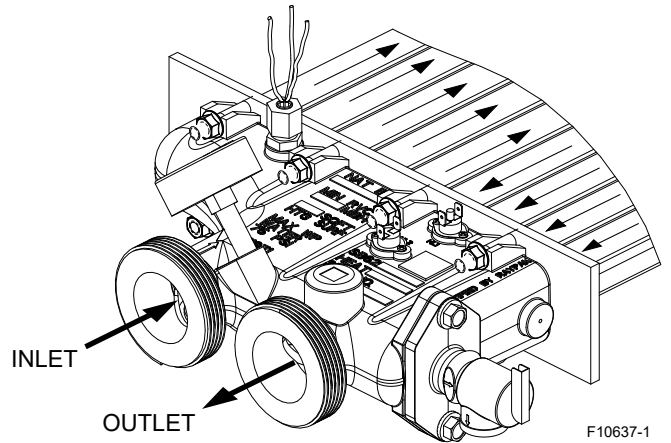


Figure 20. Bronze Header (ASME) Water Flow

Flow GPM (lpm)	Pressure Drop (Ft. of Head) (m of Head)			
	206A	266/266A	336A	399/406A
20 (75)	4.0 (1.2)			
25 (95)	4.0 (1.2)	4.6 (1.4)		
30 (113)	4.0 (1.2)	5.2 (1.6)		
35(132)	4.0 (1.2)	5.8 (1.8)	5.2 (1.6)	
40 (151)	4.6 (1.4)	5.8 (1.8)	5.2 (1.6)	5.2 (1.6)
50 (189)	4.6 (1.4)	6.3 (1.9)	6.9 (2.1)	6.9 (2.1)
60 (227)	4.6 (1.4)	6.9 (2.1)	6.9 (2.1)	6.9 (2.1)
70 (265)	4.6 (1.4)	8.1 (2.5)	9.2 (2.8)	9.2 (2.8)
80 (303)	4.6 (1.4)	9.2 (2.8)	9.8 (3.0)	9.8 (3.0)
90 (340)	6.9 (2.1)	10.4 (3.2)	10.4 (3.2)	10.4 (3.2)
100 (378)	8.1 (2.5)	11.0 (3.4)	12.1 (3.7)	12.1 (3.7)

Table M. Polymer Heat Exchanger Pressure Drop - Residential Models - (UG Fully Open)

Flow GPM (lpm)	Pressure Drop - Ft. of Head (m of Head)			
	206A	266A	336A	406A
20 (75)	8.2 (2.5)			
30 (113)	9.5 (2.90)	9.5 (2.90)		
40 (151)	9.7 (2.95)	9.7 (2.95)	11 (3.3)	13.4 (4.08)
50 (189)	10 (3.0)	9.8 (2.98)	12.2 (3.7)	13.4 (4.08)
60 (227)	11 (3.3)	10.4 (3.17)	13.7 (4.2)	13.5 (4.1)
70 (265)	11.5 (3.5)	10.9 (3.3)	14.3 (4.3)	14 (4.3)
80 (303)	12.6 (3.8)	12 (3.6)	15.5 (4.7)	15 (4.6)
90 (340)	14 (4.3)	13 (4.0)	16.2 (4.9)	16.2 (4.9)
100 (378)	15 (4.6)	14.2 (4.3)	17.5 (5.3)	16.7 (5.1)

Table N. Bronze Heat Exchanger Pressure Drop - ASME Models (UG Closed)

**NOTE:** Table capacity is based on schedule 40 black iron pipe. For capacity using other material, consult local codes.

### Polymer Headers (Residential Models)

Before attaching the 2-inch unions to the inlet/outlet header, make sure the O-rings are properly seated in the grooves. Use Aqualube or equivalent non-petroleum-based lubricant on the O-ring. **Hand tighten the unions.** Glue PVC piping directly to the unions.

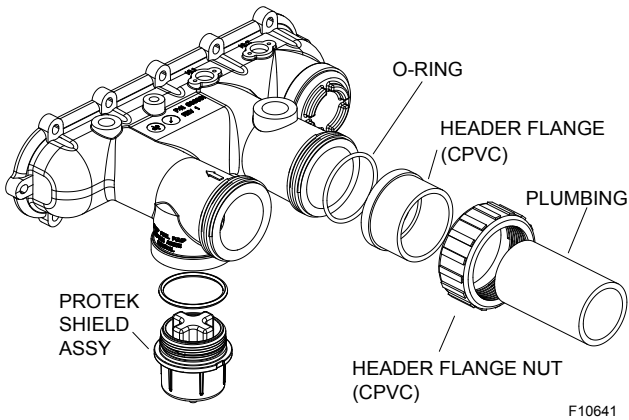


Figure 21. Inlet/Outlet Header – Polymer

High-temperature CPVC header flanges and header flange nuts are provided. If there is any possibility of back-siphoning when the pump stops, it is suggested that a check valve (or valves) also be installed in the system.

### Bronze Headers (ASME Models)

Heater must be located so that any water leaks will not damage the structure of adjacent area. Before attaching the ProTek Shield Adapter to the inlet connection and the 2-inch unions, make sure the O-rings are properly seated in the grooves. Use Aqualube or equivalent non-petroleum-based lubricant on the O-ring. **Hand tighten the unions.** Glue PVC piping directly to the unions.

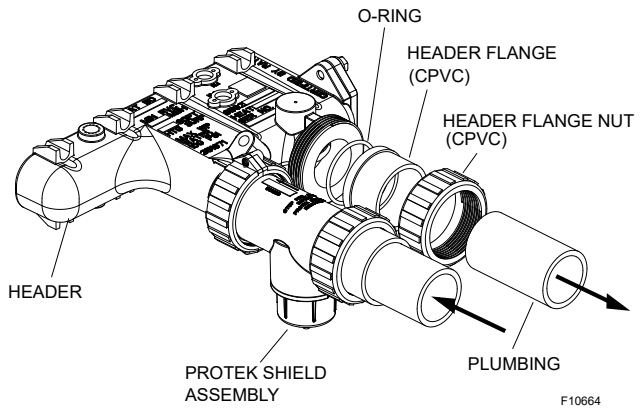


Figure 22. Inlet/Outlet Header – Bronze

**NOTE:** Some jurisdictions require the addition of a flow switch on ASME installations. Kit # 015889F for flange connection or 015890F for NPT connection can be ordered that will allow a standard ASME unit to comply with the code requirements.

### ProTek Shield Assembly

This heater is equipped with a ProTek Shield Assembly (located under the inlet connection on polymer headers) and in the ProTek Shield Adapter assembly shipped loose in the accessory carton for field installation on bronze ASME headers.

**NOTE:** ProTeK Shield not available on ASME models until end of Q3 2020.

This component provides protection to the heat exchanger against galvanic corrosion, when properly bonded to the heat exchanger. It should be replaced when the weight of the ProTek Shield is reduced to about 40% of the original weight (1.46 #).

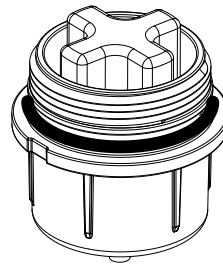


Figure 23. ProTek Shield Assembly

**CAUTION:** STOP the pool pump before attempting to remove ProTek Shield Assy. Failure to do so may result in damage to ProTek Shield Assy, loss of pool water, or personal injury.

**CAUTION:** Do not use tools to remove (twist) the ProTek Shield Assy or the wing nut on the stud of the ProTek Shield Assy. Non-warrantable damage may occur.

APPROVED

Follow the steps below to replace the ProTek Shield Assy:

1. Shut off the pool pump and bleed pressure from the system.
2. Close isolation valves to minimize pool/spa water loss.
3. Remove wing nut from bottom stud on ProTek Shield Assy.
4. Remove bonding wire ring terminal from stud.
5. Rotate ProTek Shield Assy clockwise (by hand) to unscrew it from the assembly.
6. Inspect/replace as necessary and reverse above procedure to reinstall. Hand tighten only! Do not use tools.

**NOTE:** Make sure the O-ring is properly seated in the O-ring groove before installation.

### Unitherm Governor Operation

**CAUTION:** The patented Unitherm Governor is a thermostatic mixing valve specifically designed to maintain constant heater internal temperature between 105°F (41°C) and 115°F (46°C) despite continually changing flow rates from the filter and changing pool temperatures. This narrow range is needed to prevent damaging condensation on the burners which will occur if the heater runs for any length of time below 100°F (38°C). It is also needed to inhibit scale formation in the tubes by maintaining temperatures well below accelerated scaling temperatures.

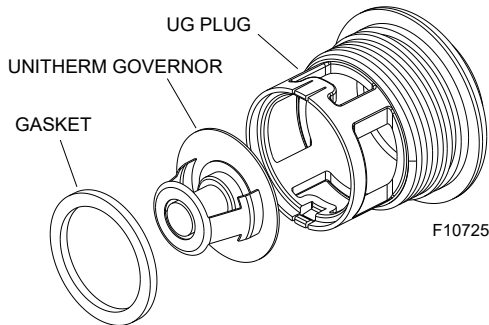


Figure 24. Unitherm Governor - Polymer

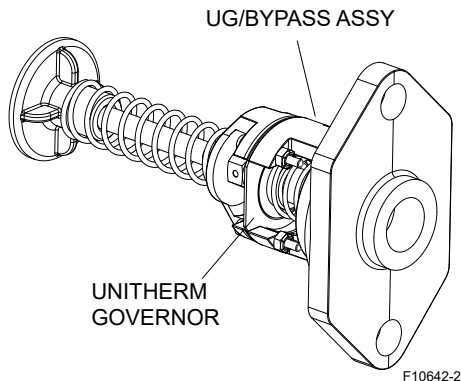


Figure 25. Unitherm Governor - Bronze

### Internal Automatic Bypass Valve

In addition to the Unitherm Governor, a built-in automatic bypass valve is provided in the In/Out header. While the Unitherm Governor responds to the changes in water temperature in the heater, the internal bypass valve automatically responds to changes in water pressure in the piping system. Proper amount of water flow is maintained through the heater under varying pressures dictated by the conditions of the pump and filter.

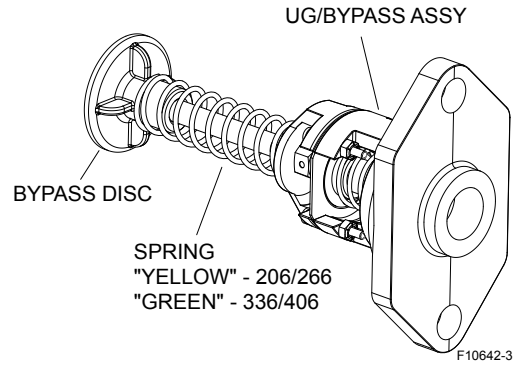
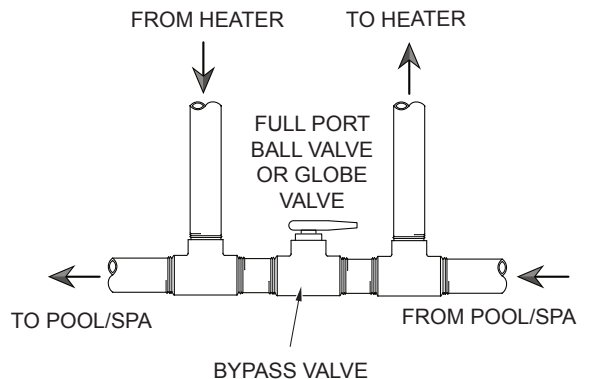


Figure 26. Internal Automatic Bypass Valve - Bronze

**NOTE:** The Unitherm Governor and Bypass Valve Assy are not individually-replaced components on ASME units. If either needs to be replaced, the entire UG/Bypass assy must be replaced. The "yellow" spring is used on models 206A, 266A. The "green" spring is used on models 336A, 406A.

### External Auxiliary Bypass Valve

**Where Required** - An auxiliary bypass valve should be used when flow rates exceed 100 GPM (378 lpm). Usually a high-performance pump size larger than two horsepower will exceed this flow rate. This valve is required to complement the function of the automatic bypass valve, particularly when starting the heater in winter or early spring when the spa or pool temperature is below 50°F (10°C). It also serves to eliminate needless pressure drop through the heater and accompanying reduction in the flow rate to the spa jets, etc.



Do not use gate valve.

Figure 27. Auxiliary Bypass Valve

## APPROVED

### Auxiliary Bypass Valve Adjustment

To set bypass, with clean filter, adjustment is made by feeling the inlet and outlet pipes at the heater. Outlet pipes should be slightly warmer than inlet and comfortable to the touch. If pipe is hot, close bypass; if cold, open bypass.

### Pressure Relief Valve Installation

To conform to local building codes, it may be necessary to install a pressure relief valve. A 3/4" pressure relief valve, having a capacity equal to or greater than to the BTU output of the model to be installed, is recommended for this heater.

A 3/4" NPT connection is provided in the Polymer header for installation of a pressure relief valve. The valve shall be installed in a vertical position. Do not over-tighten. Install pressure relief valve hand-tight plus 1/2 turn.

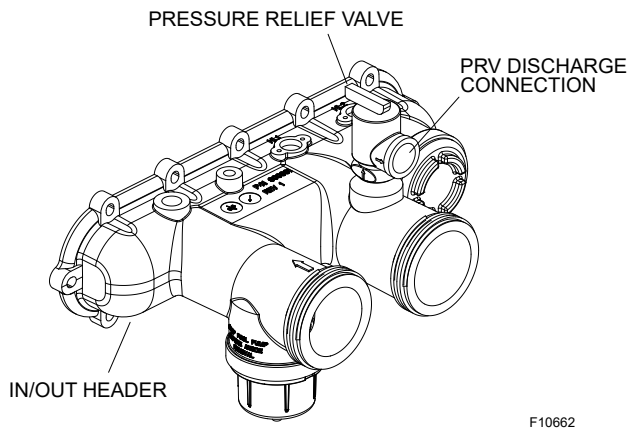


Figure 28. Field-Supplied Pressure Relief Valve, Residential Units

A 3/4" NPT connection is provided in the header for installation of a 75 PSI (517 kPa) pressure relief valve. The PRV is shipped loose in the accessory carton with the pagoda top. The pressure relief valve shall be installed in a vertical position.

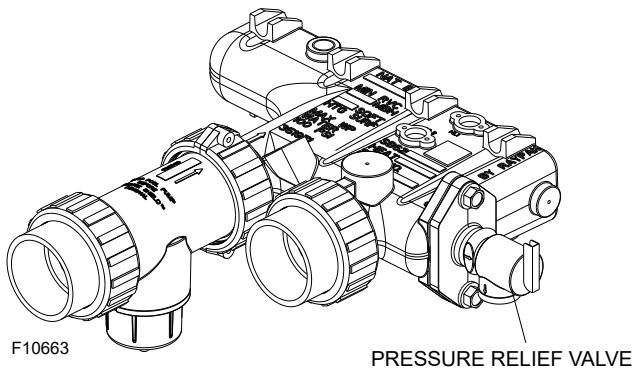


Figure 29. Pressure Relief Valve, Commercial Units

**NOTE:** To avoid water damage or scalding due to valve operation, drain pipe must be connected to valve outlet and run to a safe place of discharge. Drain pipe must be the same size as the valve discharge connection throughout its entire length and must pitch downward from the valve. No shutoff valve shall be installed between the relief valve and the drain line. Valve lever should be tripped at least once a year to ensure that waterways are clear.

The heater requires water flow and positive pressure to fire and operate properly. It must therefore be installed downstream of the discharge side of the filter pump. See **Figure 31** and **Figure 32**. A typical installation is plumbed as follows:

1. The inlet side of the filter is plumbed directly to the discharge side of the filter pump;
2. The outlet side of the filter is then plumbed to the inlet of the heater; and
3. The outlet of the heater is plumbed to the return line to the pool or spa. The pump, filter and heater are thus plumbed in series (Salt generators and chemical feeders must be downstream of the pool heater).

Plumbing from the heater back to the pool or spa must not have any valves or restriction that could prevent flow when the pump is operating.

**CAUTION:** An additional source of heated water, e.g. a solar system, must be connected to the main line ahead of the heater inlet pipe in order for it to act as the primary heat source. If the primary system provides adequate heat to maintain setpoint, the heater will not fire. Be advised that the control panel will then display sensed water temperatures downstream of the primary heating system, rather than the temperature of the water exiting the pool.

Heater must be located so that any water leaks will not damage the structure of adjacent area. PVC pipe may be glued directly into the headers unions.

### Heat Exchanger Reversal

#### Procedure for Residential Models

1. Remove right and left side access panels. See **Figure 30**.

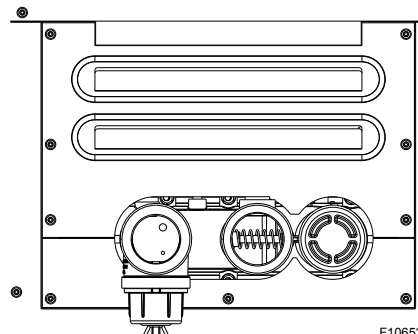
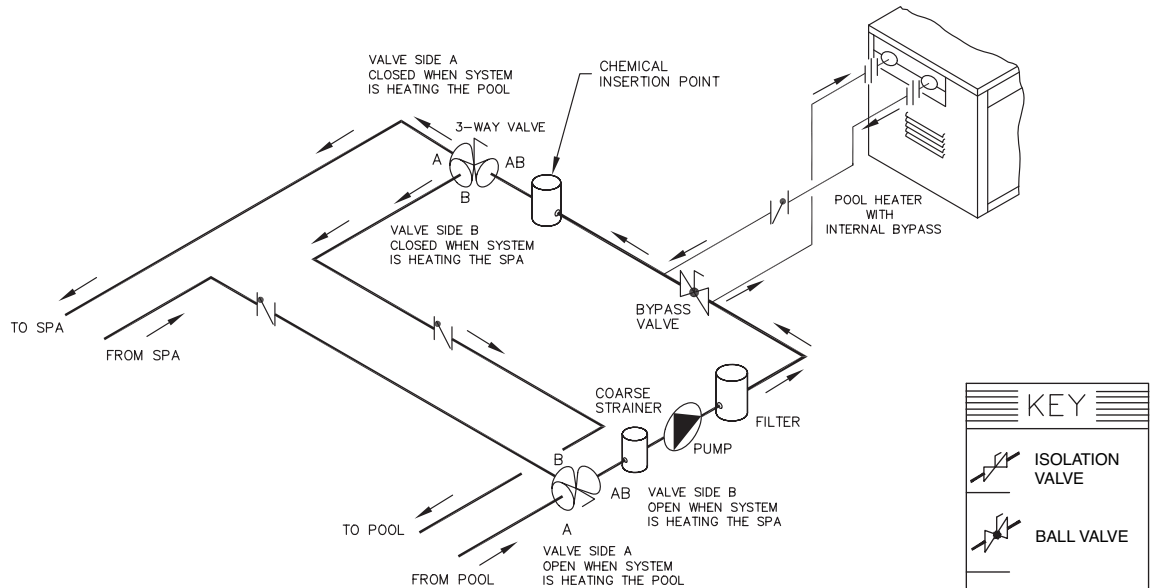


Figure 30. Access Panels

# Plumbing Diagrams

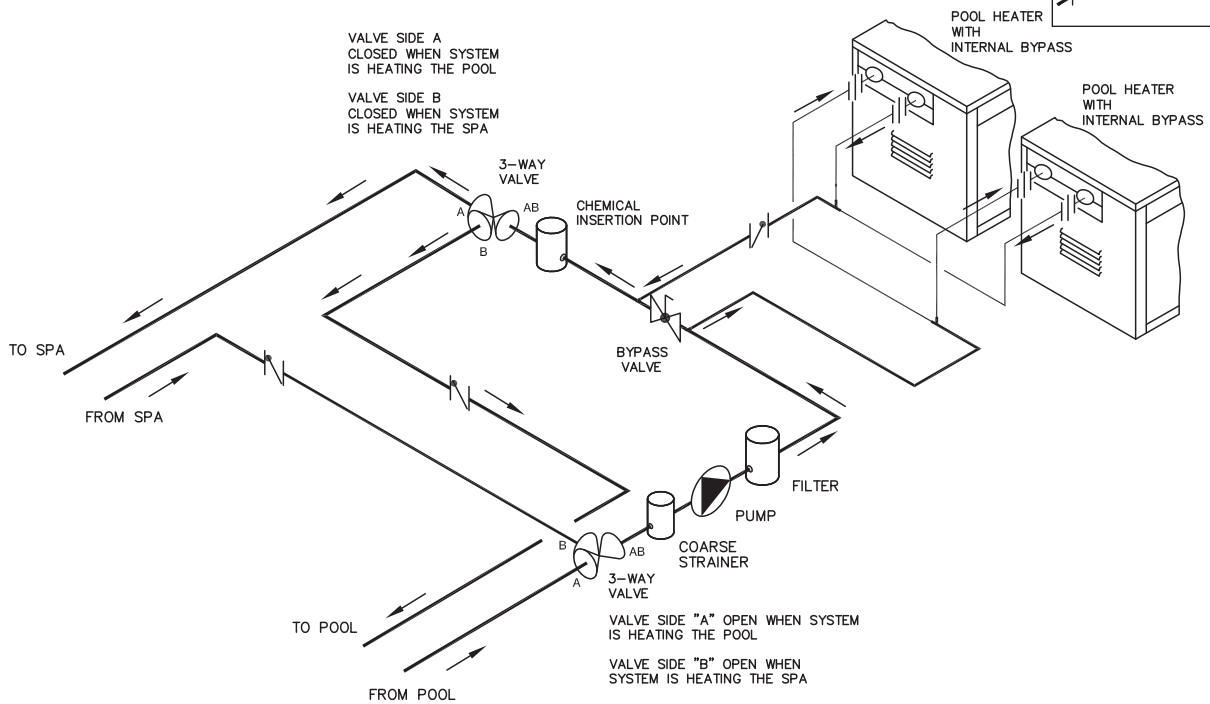
## Water Connection



THIS DIAGRAM IS A RECOMMENDATION AND IS NOT INTENDED TO REPLACE AN ENGINEERED PIPING SYSTEM BY A PROFESSIONAL ENGINEER

Figure 31. Single Heater Installation

KEY	
	ISOLATION VALVE
	BALL VALVE
	PRESSURE RELIEF VALVE
	PUMP
	UNION
	CHECK VALVE

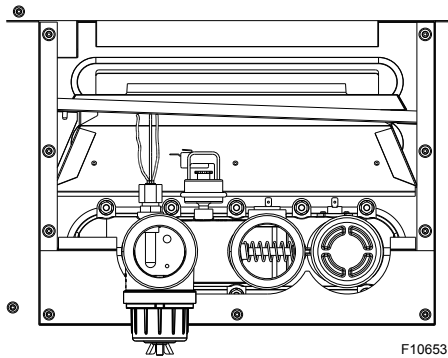


THIS DIAGRAM IS A RECOMMENDATION AND IS NOT INTENDED TO REPLACE AN ENGINEERED PIPING SYSTEM BY A PROFESSIONAL ENGINEER

Figure 32. Multiple Heater Installation

**APPROVED**

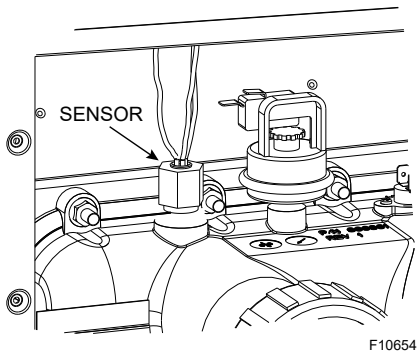
2. Disconnect wires at high limit, AGS (automatic gas shutoff), water pressure switch on the in/out header and ProTek Shield bonding wire. See **Figure 33**.



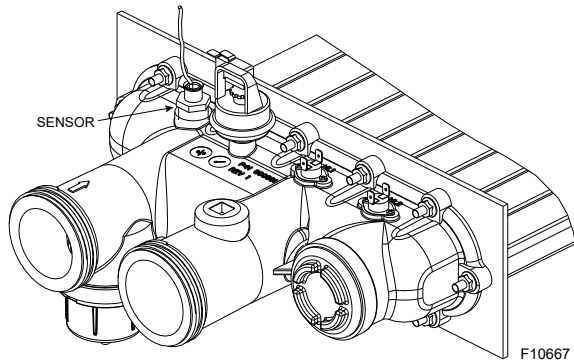
**Figure 33. Component Wiring Locations - In/out Header**

3. **Digital Models:** Remove the thermostat temperature sensor by loosening the compression fitting nut. Re-route the sensor to left side of the heater. See **Figure 34**.

**Millivolt Models:** Remove the temperature sensor bulb and retainer clip by loosening the compression fitting nut. Re-route the sensor bulb to the left side of the heater. See **Figure 35**.



**Figure 34. Digital Temperature Sensor Location**



**Figure 35. Millivolt Temperature Sensor Location**

4. Remove (12) nuts holding the inlet/outlet and return headers to the tube sheets. Clean off tube sheet area where the gasket seats. Also clean off the header and the gasket. Apply a non-petroleum-based lubricant to the gasket such as Aqualube. Re-attach the headers to the opposite sides, making sure they are installed in an upright position. Do not over-tighten. Torque should not exceed 7 ft/lb. See **Figure 34**.

5. Reconnect high limit, AGS, water pressure switch wires, and ProTek Shield bonding wire.

6. **Digital Models:** Insert the temperature sensor into the compression fitting, so that the sensor is flush with the top of the fitting. Tighten 1/2 turn past hand-tight.

**Millivolt Models:** Insert sensor bulb and retainer clip into sensor well.

7. Allow for water flow through the heater and check for leaks.

8. Re-attach access panels to the opposite sides.

**For instructions on reversing the heat exchanger connections on ASME models, call your factory representative.**

## 5. ELECTRICAL WIRING

**NOTE:** If it is necessary to replace any of the original wiring, use 105°C wire or its equivalent, and/or 150°C wire or its equivalent, like the original wiring.

**⚠ WARNING:** Digital heaters are factory-wired for 240 VAC, 1 Ph, 60 Hz power supply. **DO NOT** attempt to operate at 208 VAC.

### Millivolt Models ("M" suffix)

The Millivolt models are equipped with a self-generating electrical system in which the electrical current is provided by a pilot generator. No external electrical connections are required.

When installing a remote switch, do not exceed 10 ft (3 m) of wiring from the heater. Use 18-gauge stranded wire.

### Digital Models ("E" suffix)

The standard field-wiring connection is on the right side of the heater.

To wire the heater from the left side, follow these steps:

1. Remove the two (2) screws that hold the front door to the heater. Remove and set aside door for better access to wiring.
2. Remove the four (4) screws that hold down the junction box to the sway brace.
3. Remove the transformer cover located on the far right by removing one (1) screw.
4. Remove the two (2) screws that hold down the transformer.
5. Remove the one (1) screw that holds down the ground wires.
6. Disconnect P6 connector from PC board.
7. Remove transformer from its current location and relocate it on the far left side of the heater.

APPROVED

- Re-route all high-voltage wires and ground wires through the left jacket side of heater.
- Re-install P6 connector, ground wires (SPG), transformer, junction box, front door, and plug right side with the left side's grommet plug.

**NOTE:** 7/8" diameter holes not utilized on jacket and control box can be used for fireman switch, auxiliary control interface or power vent (D-2) wiring.

There should be no connection to the red wire for 120 VAC operation. Attach a wire nut to the red wire.

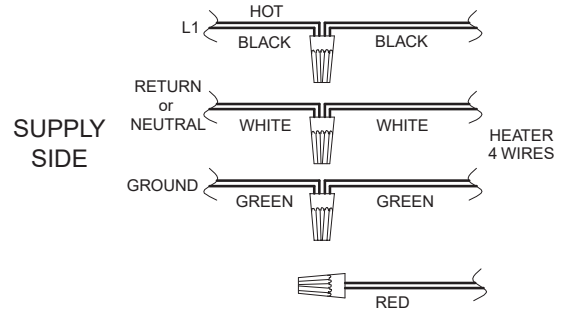


Figure 37. 120 VAC Wire Connection

## Electrical Power Draw

**CAUTION:** Heater must be electrically grounded and bonded. Bonding lug is provided loose with the heater. Install bonding lug on lower right or left side of jacket as necessary for bonding the heater. Mounting hole is provided on the jacket.

**NOTE:** Failure to ground the heater electrically could affect the heater's electronics.

**NOTE:** See "Time Clock/Fireman's Switch" on page 31 for further instructions if using a time clock/fireman's switch.

## 240 VAC Wiring

For 240 VAC input power to the unit, connect the black wire to the "L1" or hot leg of the power supply. Connect the red wire to the L2 or second hot leg of the power supply. There should be no connection to the white wire for 240 VAC operation. Attach a wire nut to the white wire.

**WARNING:** DO NOT attempt to operate the heater at 208 VAC.

The Electronic Intermittent Ignition Device automatically lights the pilot and main burners upon a call-for-heat. The heater is supplied with a dual-voltage transformer for 120 VAC or 240 VAC input power hookup.

When operating on 120 VAC power, units draw 4 amps. When operating on 240 VAC power, units draw 2 amps.

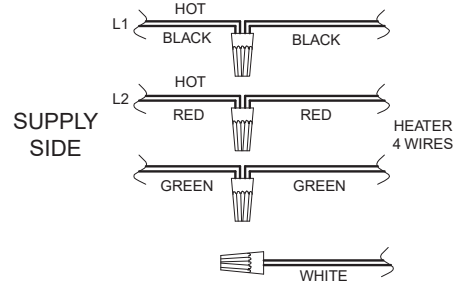


Figure 38. 240 VAC Wire Connection

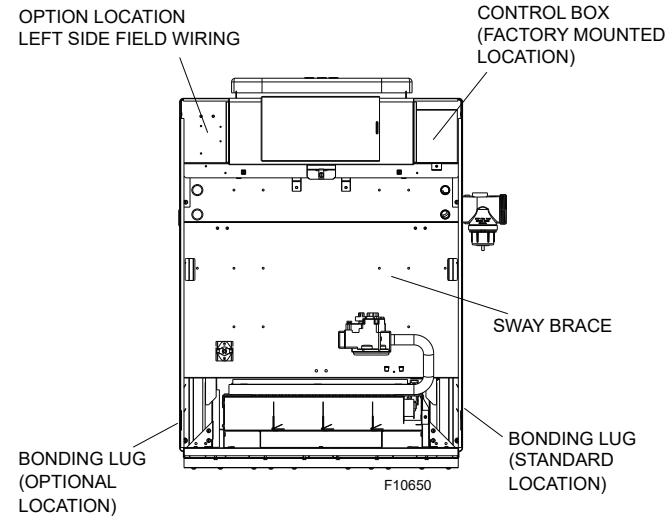


Figure 36. Heater Wiring Locations

Heater must be electrically grounded and bonded in accordance with local codes, or, in the absence of local codes, with the latest edition of the National Electrical Code, ANSI/NFPA 70. (Canada - Canadian Electrical Code, CSA C22.1, Part 1 and Part 2.)

**CAUTION:** If the transformer's primary side is wired for 120 VAC and 240 VAC is applied, damage to the transformer and PC board may result. Such damages are not covered under manufacturer's limited warranty.

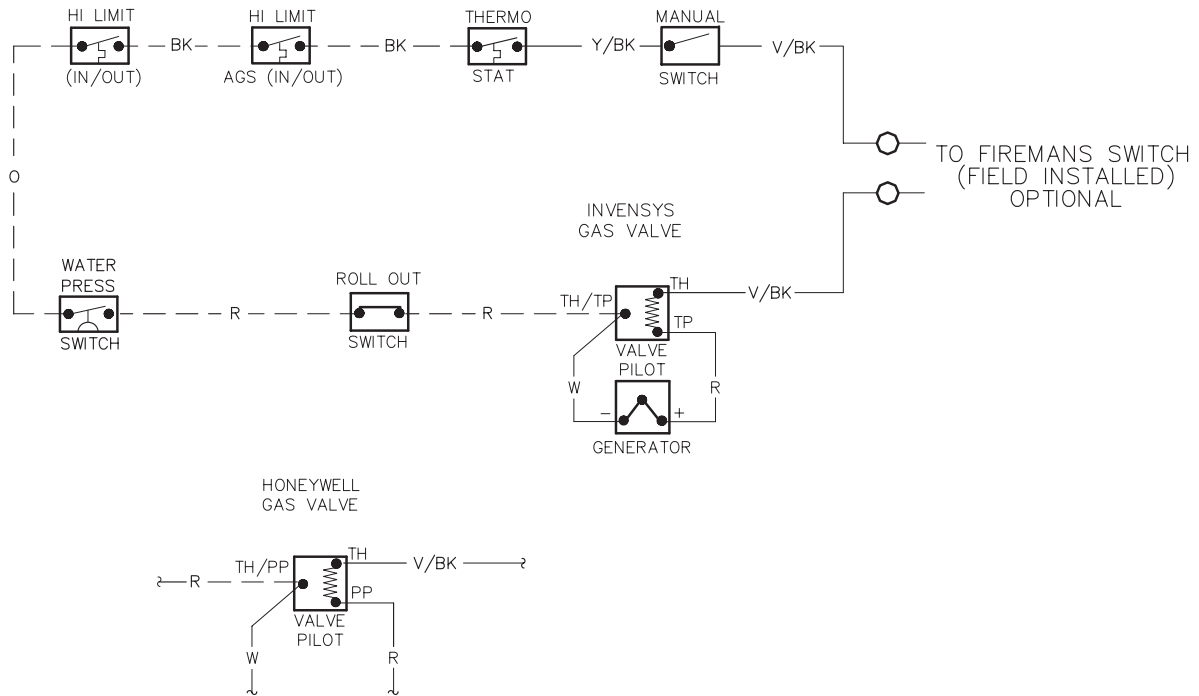
**NOTE:** Input power to the heater (120 or 240 VAC) can be supplied from the load (pump) side of time clock or directly from the GFCI power source. It is preferred that full-time power be supplied to the heater from the GFCI power source, and that the heater be controlled by the fireman's switch connection or using a two or three-wire remote. If using a switched GFCI power source, the heater could display false service indicators on the display panel if the pump is turned off.

## Transformer Wiring

### 120 VAC Wiring

For 120 VAC input power to the unit, connect the black wire to the L1 or hot leg of the power supply. Connect the white wire to the "Ret" or neutral leg of the power supply.

# 6. WIRING DIAGRAM - MILLIVOLT



APPROVED BY:	
CHECKED BY:	
ORIG E.O. 3207	
9/14/98	
CHG E.O. 3434	
9/28/04	

<b>REPLACE WIRING WITH 105°C WIRE OR 150°C WIRE AS NOTED</b>	
WIRING DIAGRAM STANDING PILOT MILLIVOLT	
HEATER INPUTS: 199,500 THRU 399,000 BTUH	
HEATER SIZE: 206-406	HEATER TYPE: P

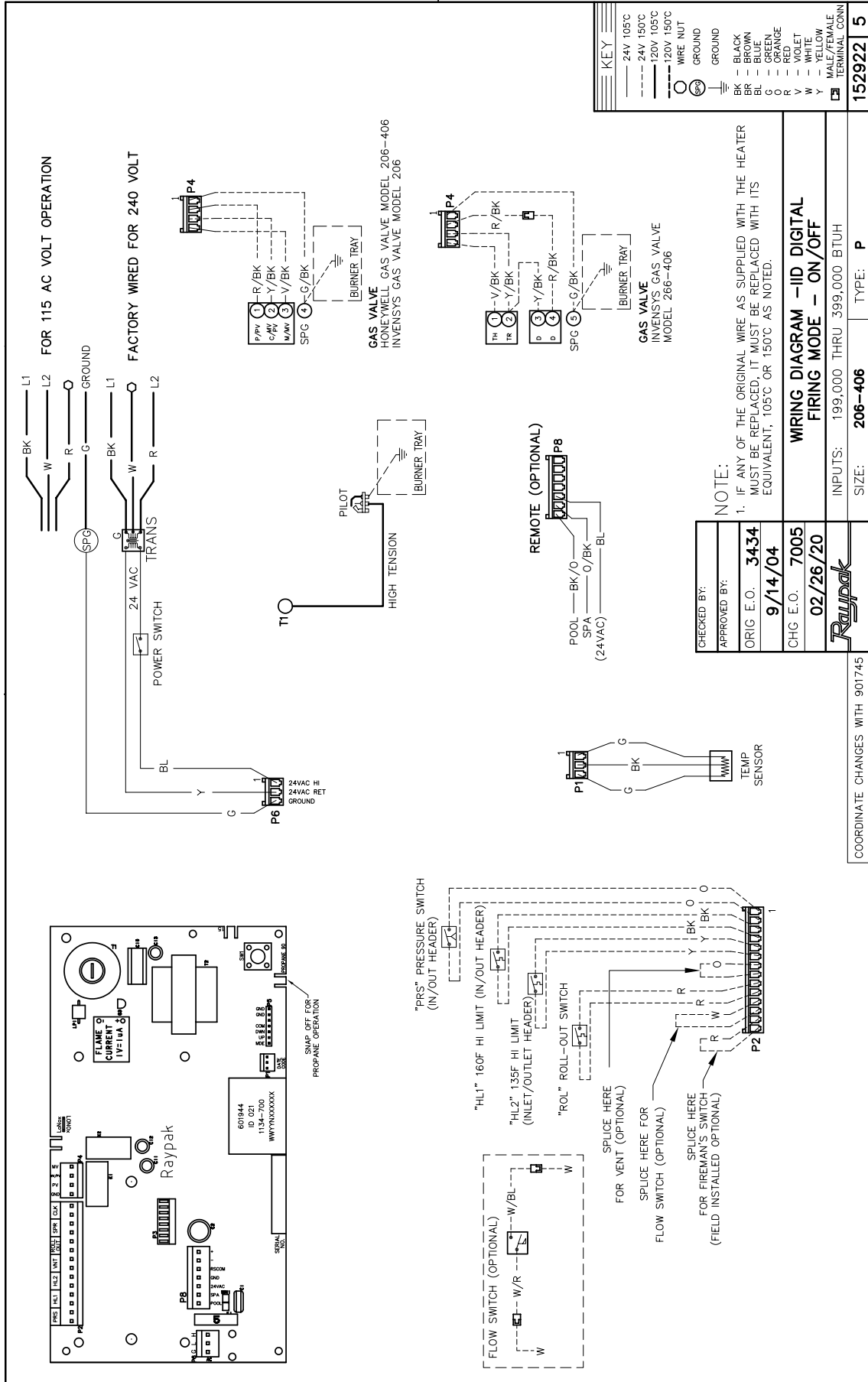
KEY	
————	105°C
- - - -	150°C
○	WIRE NUT
BK	- BLACK
BR	- BROWN
BL	- BLUE
G	- GREEN
O	- ORANGE
R	- RED
V	- VIOLET
W	- WHITE
Y	- YELLOW
V/BK	- VIOLET WITH BLACK STRIPE
Y/BK	- YELLOW WITH BLACK STRIPE

152426	1
--------	---



# 7. WIRING DIAGRAM - DIGITAL

APPROVED



152922 5

CHECKED BY:	
APPROVED BY:	
ORIG E.O.	3434
CHG E.O.	7005
	02/26/20
<b>Raypak</b>	

UNCONTROLLED DOCUMENT IF PRINTED

## 8. CONTROLS

APPROVED

**NOTE:** Caution must be used to not damage controls or wiring.

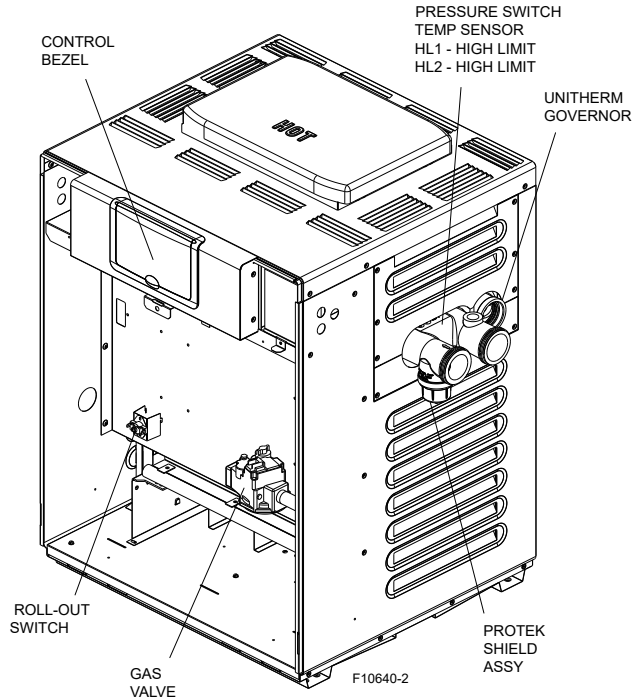


Figure 39. Location of Controls (View One)

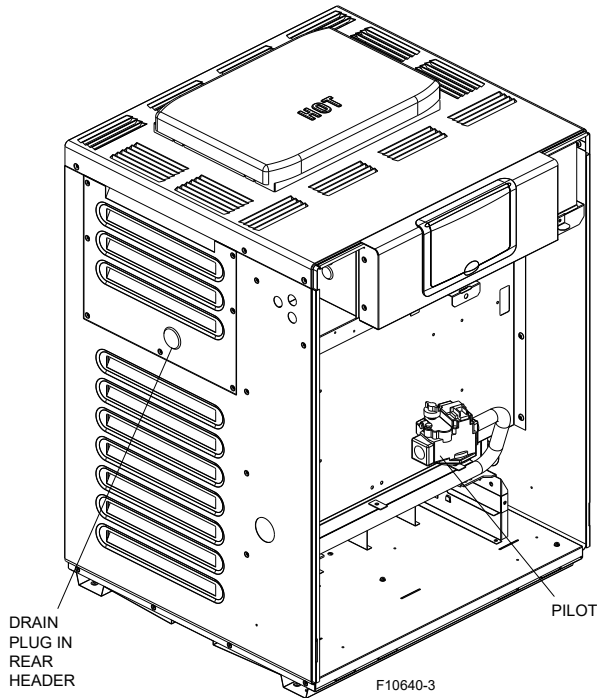


Figure 40. Location of Controls (View Two)

### Control Panel Removal

1. Remove screw from front door. Set aside door for serviceability.
2. Remove (4) screws from sides of control panel.
3. Rotate control panel down until panel stops. Do not force.

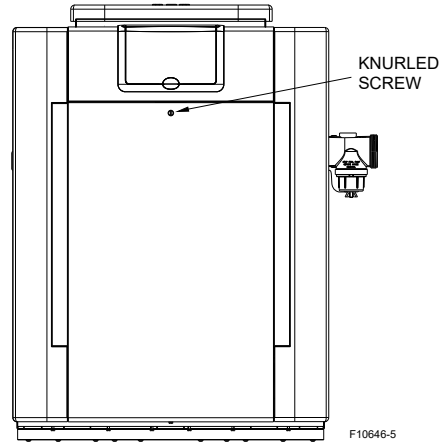
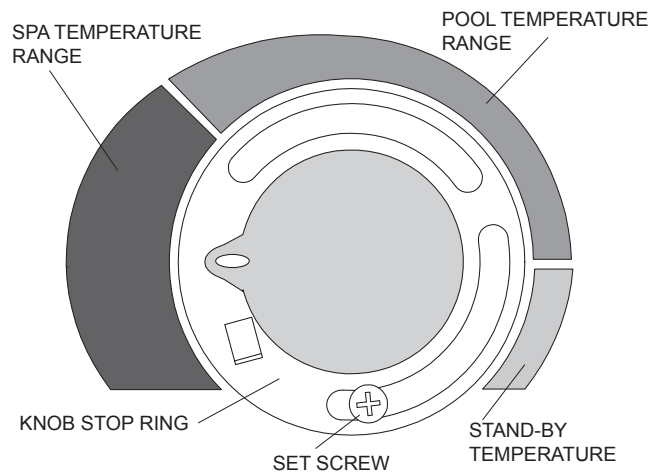


Figure 41. Knurled Screw Location

### Control Adjustments - Millivolt Models

The water temperature is controlled by the heater thermostat on the upper front panel of the heater. The control center contains an On/Off switch and one thermostat.

The thermostat is fitted with a means of limiting the upper temperature just below the maximum level. The knob stop adjustment ring illustrated below is adjustable by loosening the set screw, rotating the knob stop ring to the desired location and re-tightening the set screw.

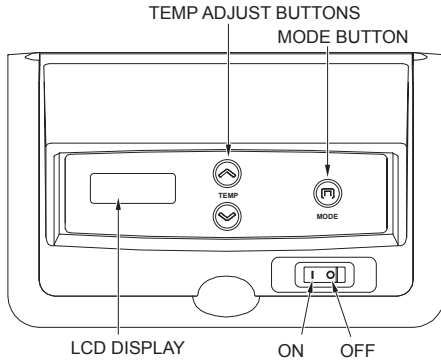


KNOB STOP SHOWN ABOVE IS IN THE SPA TEMPERATURE RANGE.

Figure 42. Control Adjustment – Millivolt Models

## Control Adjustments – Digital Models

The pool heater touch-pad located on the upper front panel of the heater, allows the user to select either POOL or SPA operation, and to adjust the setpoint temperature. The LCD display window indicates the mode (OFF, SPA, POOL) and the actual water temperature. A manual power switch provided below the touch-pad turns the control power ON or OFF. See **Figure 43**.



**Figure 43. Control Adjustment – Digital Models**

### Mode Button

The MODE button is used to select POOL or SPA operation. It also allows the user to turn the heater off electronically, allowing the LCD to remain energized and to continue showing the actual water temperature.

### Temp Buttons

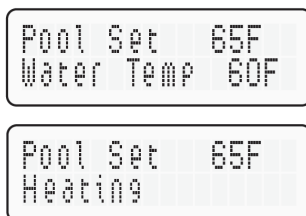
If the heater is in POOL or SPA mode, the desired water temperature (SETPOINT) will be displayed and may be adjusted using the UP or DOWN buttons.

### Operation

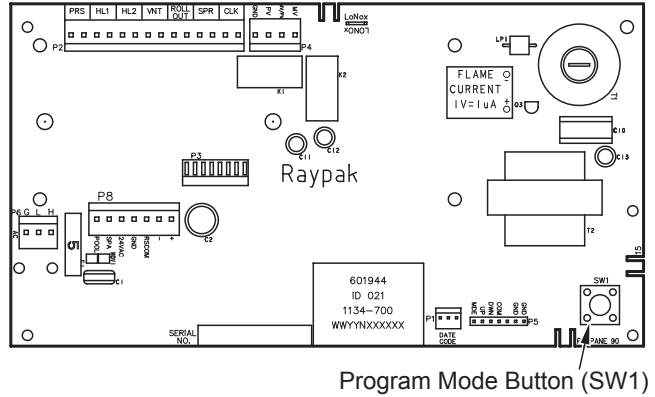
In the POOL or SPA modes, the actual water temperature is displayed along with the desired water temperature (SETPOINT). When the water temperature is above the setpoint, "Water Temp" will alternate with "No Demand." When the water temperature is below the setpoint and the heater is firing, "Water Temp" will alternate with "Heating."

To adjust the setpoint temperature, make sure the control is in the appropriate mode (POOL or SPA) and push the UP or DOWN buttons.

By default, the setpoint range is 50-104°F (10-40°C). See MAX Settings on **page 28** to increase the MAX setting, if necessary.



**Figure 44. Alternating Display During Heating**



**Figure 45. Thermostat Program Button (SW1)**

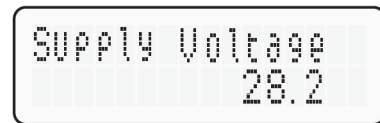
### Service Menu and Fault History

To access the Service Menu and fault history, press the Mode and UP buttons simultaneously for 3 to 5 seconds. The heater will continue to operate while in the Service Menu. The first screen displayed is the Flame Strength indicator, which indicates the pilot flame current using a bar graph and numerical display. A signal of less than 4 bars indicates a weak flame signal and may require service. Refer to the Troubleshooting section for possible causes and corrections.



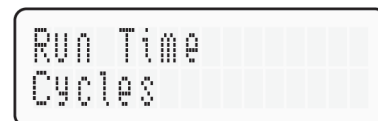
**Figure 46. Flame Strength Indicator**

Press the DOWN button. The Supply Voltage screen indicates the voltage supplied to the control board. Normal readings range from 24 to 29 volts.



**Figure 47. Supply Voltage Indicator**

Press the DOWN button. The Run Time indicates the total hours of operation for the pool heater, as measured by the amount of time that the main gas valve has been powered. The Cycle count indicates the number of on/off cycles of the heater, as measured by the number of times the pilot valve has been powered.



**Figure 48. Run Time/Cycles**

Press the DOWN button. The Fault History displays up to ten faults in memory. The order of the faults begins with “Fault Last,” which is the most recent fault, and proceeds through ten most recent messages in chronological order. The second line of the display shows the fault message. If there are no faults in the history buffer, the second line reads “All Faults Clear.”



Figure 49. Fault History Indicator

### Program Button

1. Remove the four screws holding the control cover, and swing the panel down so the back side of the board is visible. Locate the Program Mode button (SW1). See **Figure 45**. Press and hold the button for 5-7 seconds until SET FACTORY DEFAULTS appears on the display. Release the program button.
2. Press the MODE button sequentially until the desired program event is reached. There are 5 different events that can be programmed. They appear in the sequence listed in **Figure 50**.

Set Factory Defaults	Resets board to factory default settings.
Defaults Set	
Clear Faults	Resets faults in the History File.
Faults Cleared	
Fahrenheit	Change from Fahrenheit to Celsius.
Celsius	
Spa Max Temp 104F	SPA setpoint maximum adjustment.
Pool Max Temp 104F	POOL setpoint maximum adjustment.

Figure 50. Programmable Events

### Set Factory Defaults

Refer to step one above to access the program screen. SET FACTORY DEFAULT should appear on the screen. If it does not, press the MODE button until it appears on the digital display. Press and hold both UP and DOWN buttons for 5-7 seconds until DEFAULT SET appears. This operation resets the operating program to its factory default values.

Both the POOL and SPA setpoints will revert to 65°F (18°C) and both POOL and SPA maximum temperature settings will be 104°F (40°C). The CONTROL LOCKOUT PIN will be cleared and the control will resume normal operation.

### Clear Faults

Refer to step one above to access the program screen. Press the MODE button until CLEAR FAULTS appears on the digital display. Press and hold both UP and DOWN buttons for 5-7 seconds until FAULTS CLEARED appears. This operation resets the Fault History file to “0” and clears all the stored faults.

### Fahrenheit or Celsius

Refer to step one above to access the program screen. Press the MODE button until FAHRENHEIT or CELSIUS appears on the digital display. The UP or DOWN buttons will select FAHRENHEIT or CELSIUS on the temperature display. Choose the desired temperature scale.

### Spa Max Temp – Spa Setpoint Maximum Adjustment

Refer to step one above to access the program screen. Press the MODE button until SPA MAX TEMP appears on the digital display. Using the UP and DOWN buttons will change the Maximum Temperature Setting to your desired value. The control can be set for a maximum of 107°F (42°C).

### Pool Max Temp – Pool Setpoint Maximum Adjustment

Refer to step one above access into the program screen. Press the MODE button until POOL MAX TEMP appears on the digital display. Using the UP and DOWN buttons will change the Maximum Temperature Setting to your desired value. The control can be set for a maximum of 107°F (42°C).

### Control Lockout

The heater is equipped with a Control Lockout feature to prevent unauthorized tampering or adjustment of the control settings. To lock out the controls, press the DOWN button and MODE button for 5 seconds. Choose a three digit PIN, using the UP and DOWN buttons to select the digits and the MODE button to lock in selections. Confirm your selection and record your PIN.

To unlock the controls, press any button to bring up the ENTER PIN menu. Enter the PIN that was used to lock the control. Note that power cycling will not clear the lockout. Successfully unlocking the control will display “LOCKOUT CLEARED.” Failure to enter the correct PIN will display “INVALID PIN.”

In the event that the user-selected PIN is lost or does not clear the Control Lockout, use the Program Button to SET FACTORY DEFAULTS. This will clear the PIN and allow normal operation and selection of a new PIN if desired.

**NOTE:** Both the POOL and SPA setpoints will revert back to 65°F (18°C) and the POOL and SPA maximum temperature settings will be 104°F (40°C). These setpoints will need to be readjusted to desired settings.

**NOTE:** The LCD temperature display may not agree with the temperature reading of your pool or spa thermometer. The heater reads the water temperature at the inlet. Due to the circulation characteristics of any pool or spa, the water temperature at the inlet to the heater may differ from that observed at a given location in the pool or spa.

### Status and Diagnostics

The digital models are programmed to display a variety of status and diagnostic messages, depending on the operating conditions.

The following heat status messages are displayed in Pool, Spa, and Remote modes when there are no active fault conditions.

Display	Condition
Heating	Call-for-heat established, flame present.
Spark	Spark operating.
No Demand	Heat demand is satisfied.

Table O. Heater Status Messages - No Active Faults

The following conditions are displayed in Pool, Spa and Remote modes.

Display	Condition
Sensor Failure	Thermistor temperatures disagree by more than 2°F (1°C).
Sensor Open	Thermistor sensor failed open. Below -20°F (-29°C).
Sensor Short	Thermistor sensor failed short. Above 217°F (103°C).
Flame w/o CFH	Board is sensing flame when both main and pilot valves are commanded shut.
PV Output Fault	Pilot gas valve output is not in commanded state.
MV Output Fault	Main gas valve output is not in commanded state.
LoNox Tab Fault	Voltage is sensed at the Lo NOx terminal on a non -Lo- NOx heater (Lo NOx tab is intact).
Internal Fault	Board fault, replace board.
EEPROM Fault	Memory fault, reset setpoints, replace board if fault does not clear.
Clock/Fireman Sw	Time clock/fireman switch circuit is open.
Low Temp Lockout	Water temperature below 36°F (2°C).

Table P. Heater Status Messages - Active Faults

The following conditions are displayed only while there is a demand for heat present.

Display	Condition
Water Sw Open	Water pressure switch open.
Vent/Field Sw #1	Vent spill switch/field switch #1 open.
Hi Limit 1 is open	High limit 1 open.
Hi Limit 2 is open	High limit 2 open.
Rollout Sw Open	Rollout switch open.
Flow/Field SW #2	Field-supplied flow switch/field switch #2 open.
Ignition Lockout (Propane Tab Broken)	<b>Alternating with “No pilot sensed”</b> - Pilot flame not established within the required time (15 sec or 90 sec). <b>Alternating with “Main Ign Failure”</b> - Pilot flame lost during the 8 second trial to ignite the main burner.
Ignition Failure (Propane Tab Not Broken)	<b>Alternating with “No pilot sensed”</b> - Pilot flame not established within 90 seconds.
Ign 60 min Delay (Propane Tab Not Broken)	<b>Alternating with “Main Ign Failure”</b> - Pilot flame lost 4 times within the 8 second trial to ignite the main burner. Heater will lockout for 60 minutes before retrying.

Table Q. Heater Status Messages - Demand for Heat

### High Limit Events

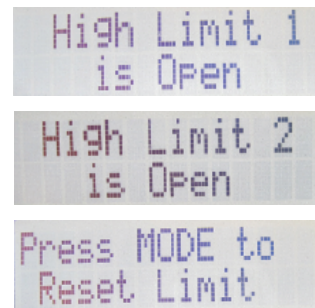


Figure 51. High Limit Events

HIGH LIMIT EVENT NOTICE
<b>High Limit events require a manual-reset:</b> To reset unit press MODE.
<b>Helpful tips to prevent High Limit events:</b>
1. Confirm circulation pump is running during heating cycle.
2. Pump should shutoff a minimum of 5 minutes after heating cycle ends.
Failure to follow these steps may cause residual heat buildup - triggering a High Limit event.
If issues persist, contact your service installer.

**APPROVED**

Millivolt models are not designed for operation with remote control system.

**Remote Control Installation and Operation**

**⚠ CAUTION: Before installing remote controls to the digital heaters, read the following:** The digital thermostat model is remote-ready in most cases. The digital liquid crystal display (LCD) shows the actual pool temperature, operating status, and service codes. See Figure 52. The touch pad on the control panel allows you to select the desired pool or spa temperature. It also indicates when a remote system is controlling the heater by displaying **Remote** in the display. When connecting the heater to a remote system, identify whether it is a two- or three-wire remote system. Select the appropriate instruction listed below to properly install the remote to the heater.

**Activating the Remote**

To activate or deactivate the remote function:

1. Press and hold the UP and DOWN arrow buttons for 3 to 5 seconds.

The second line of the display will alternate even when the unit is off ("No Demand").

**NOTE: When in remote operation, the keypad mode and temp buttons are disabled.**

**Remote Operation (Digital models only)**

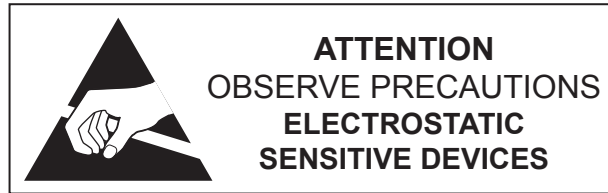
The heaters are equipped with the ability to work with external remote controls. The supplied 7-pin remote wiring connector supplies power out to either a toggle switch or the switch contacts of a third-party remote. The remote works by either making or breaking the circuit created by the remote wiring. Typically, a remote does not supply power to the heater, it only provides a switching function to turn the heater On or Off. **If your remote is supplying its own voltage to the heater, it will not work with this heater and may damage the digital circuit board.**

For operation of the heater using the onboard thermostatic controls with a time clock. See "Time Clock/Fireman's Switch" on page 31.



Figure 53. Remote Control Menu - Activation

**Remote Control Wiring - Digital Models Only**



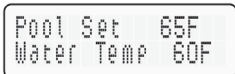
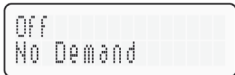
**⚠ CAUTION: Electrostatic Discharge (ESD) damage can be caused by direct or indirect contact with the wiring or circuit board. When one walks to the heater area, an electrostatic charge accumulates on the body. Contact of a finger allows the body to discharge, possibly causing device damage. This damage can be limited if the service person discharges himself, following ESD preventive/removal practices, and holds on to the heater enclosure for 5 seconds before proceeding.**

**Important Installation Notes for Remote or External Wiring Configuration:**

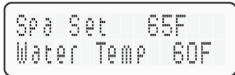
- Remote wiring must be run in a separate conduit.
- Remote wiring must not be run parallel to high voltage lines.
- For runs of under 30' (9 m), remote wiring should have stranded conductors with a minimum of 22 AWG, 600V, cable twisting 1.5" to 2.5" (3.8 to 6.4 cm) lay and jacketed.
- For runs over 30' (9 m), the conductors should be a minimum of 20 AWG, 600V, cable twisting 1.5" to 2.5" (3.8 to 6.4 cm) lay that is shielded and jacketed.
- Maximum cable length is 200' (61 m).



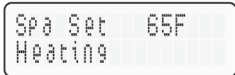
OFF Mode



Heating in the POOL Mode



Heating in the SPA Mode



Remote Mode

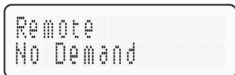


Figure 52. Remote Control Menu - Remote Operation

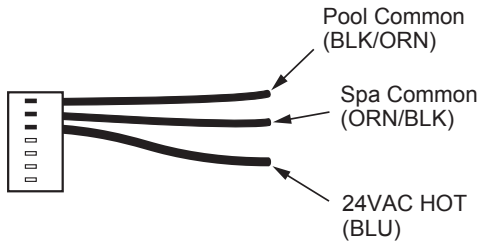
- For both two- and three-wire remote systems, the provided 7-pin wiring connector must be utilized.

**NOTE:** The remote wires must be connected to the 7-pin connector before the connector is plugged into the board.

### 2-Wire Remote Control (On-Off)

This application assumes that only one heating function (pool or spa) is required.

- Turn on power to the heater.
- For a 2-Wire Remote Control from a remote without its own sensor, push the MODE button to the "POOL" or "SPA" mode and set the desired setpoint (e.g. 102°F (39°C) for Spa).
- For a 2-Wire Remote Control from a remote with its own sensor, push the MODE button "POOL" or "SPA" mode and set the temperature to the highest setting available on the control. The actual setpoint will be controlled by the remote control.
- Turn the MODE button to "OFF" and remove power from the heater.
- On the "Remote Interface Harness", connect the BLUE wire to one side of the "REMOTE" switch and connect the other side to either the ORANGE/BLACK wire for "SPA" operation or the BLACK/ORANGE wire for "POOL" operation. See **Figure 54**.



**Figure 54. 7-Pin Remote Interface Harness**

- Attach wire nut on unused wire to the "Remote Interface Harness."
- Install the "7-Pin Remote Interface Harness" to the P8 connector and turn power "ON" to the heater. See **Figure 55**.

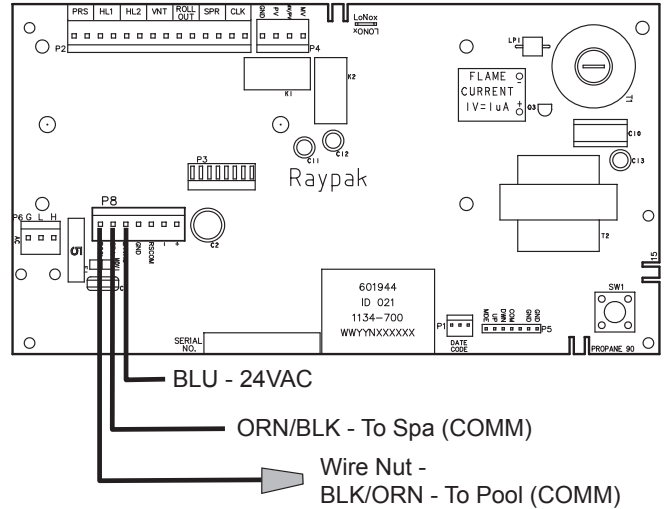
For activation of the remote control, see section on page 30.

### 3-Wire Remote Control Using Three-Position Switch (Pool-Off-Spa, or Low-Off-High)

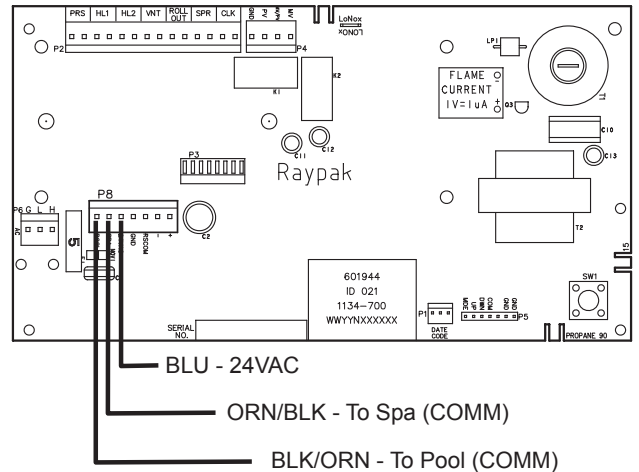
This application assumes that both heating functions (pool and spa) are required.

- Turn on power to the heater.
- Push the MODE button to the "POOL" or "SPA" mode and set the desired temperature for each (e.g. 80°F (27°C) for Pool and 102°F (39°C) for Spa).

- Turn the MODE button to "OFF" and remove power from the heater.



**Figure 55. 2-Wire Remote Harness Installation on the P8 Connector of the Board**



**Figure 56. 3-Wire Remote Harness Installation on the P8 Connector of the Board**

- On the "Remote Interface Harness" connect the BLUE wire to one side of the "REMOTE" switch and connect the ORANGE/BLACK wire for "SPA" operation and the BLACK/ORANGE wire for the "POOL" operation. See **Figure 54**.
- Install the "Remote Interface Harness" to the P8 connector and turn power ON to the heater. See **Figure 56**.

For activation of the remote control, see section on page 30.

### Time Clock/Fireman's Switch

To operate the heater with a time clock, connect the timer to the fireman's switch connection in the heater's wiring. The time clock should be of the dual switch type and set to shut off the call-for-heat to the pool heater (chauffe-piscine) 15 to 20 minutes prior to shutting down the pool pump.

**APPROVED**

For millivolt heaters, the fireman's switch connection is a wire nut located in the Violet/Black wiring between the manual toggle switch and the gas valve heaters, splice into the red/white wire to connect the time clock.

For digital heaters, the fireman's switch connection is located on the 14-pin header connected to the digital control board. Splice into the red wire jumper tagged – Where necessary add "Fireman's" switch circuit here – to connect the time clock.

**The fireman's switch connection on both millivolt and digital heaters must be a dry contact and must not supply power to the heater. Powering the fireman's switch connection externally may damage the heater, and is not covered by warranty.**

Millivolt heaters: Do not exceed 15 ft (4.5 m) of total wiring using 14 AWG stranded copper wire rated for 105°C minimum.

Digital heaters: Do not exceed 50 ft (15 m) of total wiring using 18 AWG stranded copper wire rated for 105°C minimum.

**NOTE: When using a time clock, the digital heater will display "Clock/Fireman Sw" when the fireman's switch is open, indicating that the time clock has shut off the call-for-heat.**

**Water Pressure Switch**

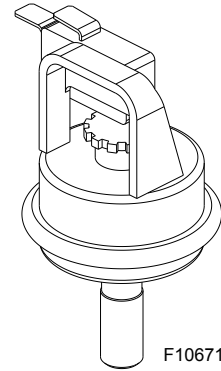
The water flow switch ensures that the heater operates only when the filter pump is in operation. It is located on the In/Out header. It is factory-set at 1.75 PSI for deck-level installations.

**Water Pressure Switch Adjustment**

When the heater is located below the level of the spa or pool, it may be necessary to adjust the pressure switch to compensate for the no-flow static head. If it is necessary to adjust the water pressure switch, utilize the following procedure:

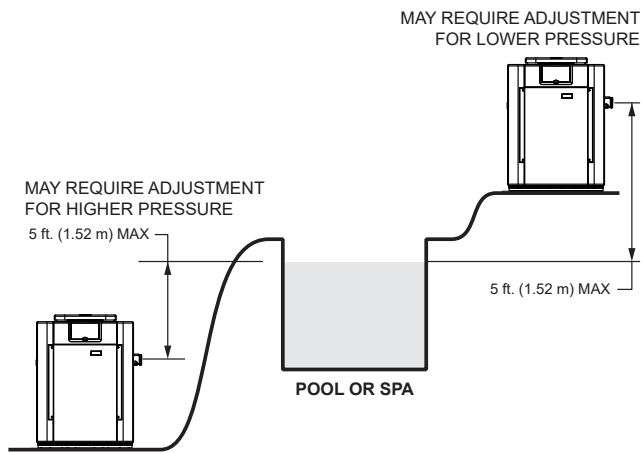
1. Make sure the pool filter is clean before adjusting the switch.
2. Set the heater control to the OFF mode.
3. Turn the filter pump ON and confirm that the pressure switch is closed (use a multimeter to check). If the pressure switch fails to close, either the switch setting is too high or not enough pressure is being supplied by the filter pump.
4. Turn the heater ON.
5. Manually turn the pressure adjustment knob clockwise until the heater shuts off. (A flat screwdriver may be necessary if knob is too tight.)
6. Slowly turn the adjustment knob counter-clockwise until the heater calls for heat again.
7. Turn an additional 1/2 turn counter-clockwise.

8. While the heater is running, check the adjustment by turning the pump off and on several times. The burners should shut off immediately when the pump is turned off. If it does not, repeat the above steps until proper operation is observed.



**Figure 57. Water Pressure Switch Assembly**

**NOTE: The sheet metal access panel should be in place at all times to protect the water pressure switch from rain and other environmental factors.**



**Figure 58. Pressure Switch Adjustment Requirements**

**NOTE: If heater is installed outside of the limits shown, a switch rated for a higher pressure (11 psi / 76 kPa) may be used. A flow switch, mounted and wired adjacent to the heater, may be used in place of the factory-mounted pressure switch. See "ILLUSTRATED PARTS LIST" on page 46 for 11 psi / 76 kPa water pressure switch.**

**Two-Speed Pumps**

In some cases, the flow on the low-speed is insufficient to operate the heater. This is apparent when the water pressure switch cannot be further adjusted or if the heater makes banging noises or shuts off on high limit. In these cases, the pump must be run at high speed when heating the water.



**CAUTION:** Do not operate the heater without the function of a properly-adjusted water pressure switch or flow switch.

### Flame Roll-Out Safety Switch

Heaters are equipped with a thermal cutoff device to prevent flame roll-out in the event the heat exchanger becomes blocked. This is a “single-use” type fusible link or thermal fuse, that must be replaced when disabled by an over-temperature condition, caused by excessive restriction in the heat exchanger flue passage.

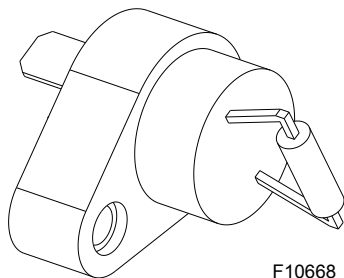


Figure 59. Flame Roll-Out Safety Switch

### High Limits

The heater is equipped with two high limits.

On residential units (polymer headers), both are automatic and are located in the inlet/outlet header. Both are set at 135°F (57°C).

On commercial units (bronze headers), both are located on the inlet/outlet header. HL1 is automatic reset and set to open at 160°F (71°C). HL2 is automatic reset and set to open at 135°F (57°C).

**NOTE:** An erratic high limit is often characteristic of an internal heat exchanger problem, e.g. scale build-up, defective bypass. Refer to "TROUBLESHOOTING" on page 40.

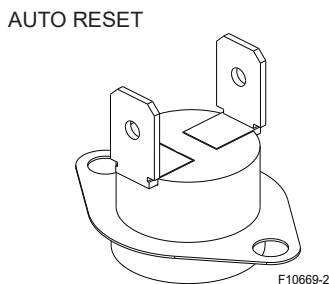


Figure 60. High Limit Switches

### High Limit Removal

1. Shut off main electrical power switch to heater.
2. Remove inlet/outlet sheet metal access panel.
3. Remove defective high limit and replace with the correct new high limit.
4. Replace access panel.

### Pilot Safety - Millivolt Models

Heaters equipped with the standing pilot (millivolt system) employs a pilot which act as a safety device to shut down the flow of gas to the main burners and the pilot burner in case the pilot flame is extinguished. The pilot burner must be manually re-lighted to place the heater in operation again. Refer to the lighting instructions provided on the heater label.

### Pilot Safety - Digital Models

The heater employs a pilot safety which closes the main gas valve within 8/10ths of a second whenever the pilot flame is interrupted. The pilot flame is automatically lit when the device is powered. The heater performs its own safety check and opens the main valve only after the pilot is proven to be lit.

### Burner Tray Removal

1. Shut off main electrical power switch to heater.
2. Shut off gas upstream of heater.
3. Remove front door.
4. Disconnect gas line from gas valve.
5. Remove (2) screws that mount burner tray to unit, and (2) screws that secure gas valve to jacket.
6. Disconnect wires that terminate at gas valve.
7. Disconnect hi-tension wire from PC board.
8. Carefully slide out burner tray assembly.
9. Reverse above procedure to reinstall.

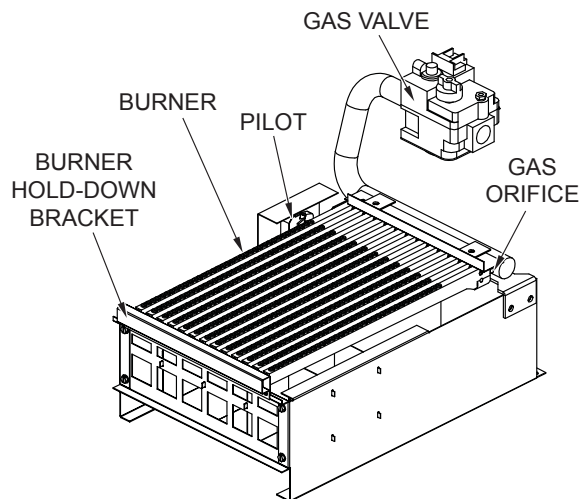


Figure 61. Burner Tray Assembly

### Gas Valve Removal

1. Shut off gas supply to the heater. Remove gas piping to gas valve inlet.
2. Disconnect wires, pilot tubing and bleed line, if required.
3. Remove burner tray from heater.

- Turn vertical gas pipe from manifold slightly and unscrew gas valve.
- Reverse above procedure to reinstall.

### Main Burner And Orifice Removal

- Remove burner tray, following above procedure.
- Remove screws and burner hold-down bracket.

**NOTE:** If the heat exchanger is sooted badly, the burner hold-down bracket and spacer can become distorted from direct-flame impingement and this usually necessitates replacement of these parts.

- Lift burners from slotted spacers and slide from orifices. Clean with a wire brush.
- Orifices usually do not need to be replaced. To clean, run either copper wire or wood toothpick through orifice. **Do not** enlarge hole. To remove orifice, use a socket wrench and remove from manifold. **DO NOT** over-tighten when reinstalling.

### Pilot Removal And Cleaning

- Disconnect pilot tubing and wires from gas valve.
- Remove pilot assembly from burner tray.
- Remove pilot from bracket.
- Remove pilot orifice and air opening, and clean with wire or small brush.

**CAUTION!** Do not enlarge hole in pilot orifice.

- Reverse above procedure to reinstall.

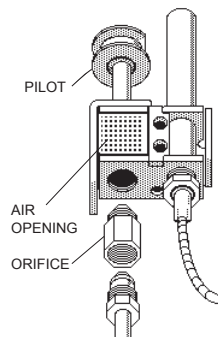


Figure 62. Millivolt Pilot

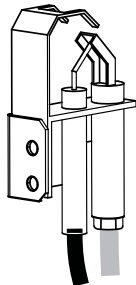


Figure 63. Digital Pilot

## APPROVED

### Heat Exchanger Removal

- Shut water, gas and electricity off, close valves and relieve pressure, then remove relief valve. Remove side access panels.
- Remove top jacket holding screws.
- Remove rear top panel.
- Remove screws mounting the rain shield to the rear panel. Also remove the screws that mount the rain shield to the sway brace. Remove rain shield.
- Remove the four (4) screws holding down the flue collector. Remove the flue collector.
- If ProTek Shield Assy is attached to the heater; disconnect flange nuts on Inlet/Outlet header, remove ProTek Shield Assy bonding wire from heat exchanger stud, loosen union at gas pipe and slide heater away from piping.
- Lift heat exchanger straight up using caution not to damage refractory.
- Reverse above procedure to reinstall. Make sure the insulation strips are properly replaced on top of the refractory retainer.

### Tube Cleaning Procedure

Establish a regular inspection schedule, the frequency depending on the local water conditions and the severity of service. Do not let the tubes clog up solidly. Clean out deposits over 1/16" (1.6 mm) in thickness.

The heater may be cleaned from the return header side, without breaking pipe connections. It is preferable, however, to remove both headers for better visibility through the tubes and to be sure the ground-up lime dust does not get into the system. Note that you do not remove the top panel or the heater exchanger, generally.

After reaming, mount the wire brush in place of the auger and clean out debris remaining in the tubes.

Another method is to remove the heat exchanger, ream tubes and immerse heat exchanger in non-inhibited de-scale solvent for severe scale build-up.

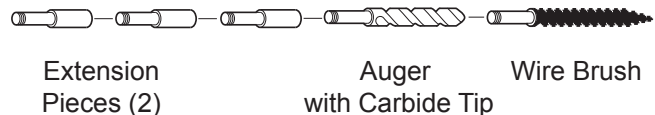


Figure 64. Tube Cleaning Kit (P/N: 052871F)

### Desooting Procedure

**WARNING:** Soot Is Combustible. Exercise Extreme Care.

Soot will clog areas between fins and cause eventual tube failure. Any sign of soot at the base of the burners or around the outer jacket indicates a need for cleaning.

## APPROVED

1. Remove top and flue collector from cabinet.
2. Remove "V" baffles from heat exchanger.
3. Remove burner tray. See **page 33**.
4. If ProTek Shield Assy is attached to the heater, remove ProTek Shield Assy bonding wire from heat exchanger stud.
5. Remove heat exchanger from the heater and wash with a garden hose, making sure soot is removed from spaces between fins.
6. Reverse above procedure to reinstall.

**NOTE:** In extreme cases it may be necessary to do steam cleaning at the local car wash. DO NOT WIRE BRUSH.

## Combustion Chamber Removal

To remove combustion chamber, you must first have removed the heat exchanger.

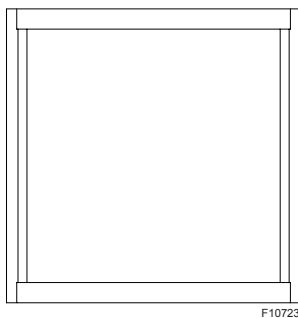


Figure 65. Refractory Panels

**▲WARNING:** When removing the burners or heat exchangers, take precautions to avoid creating airborne dust and avoid inhaling airborne fibers. When cleaning spills, use wet sweeping or High Efficiency Particulate Air (HEPA) filtered vacuum to minimize airborne dust. Use feasible engineering controls such as local exhaust ventilation or dust collecting systems to minimize airborne dust. Wear appropriate personal protective equipment including gloves, safety glasses with side shields, and appropriate NIOSH-certified respiratory protection, to avoid inhalation of airborne dust and airborne fiber particles.

## Immersion Well Replacement (Millivolt)

1. Shut off water to heater and drain heat exchanger.
2. Remove access panel on water connection side.
3. Remove old immersion well with bushing and sleeve.
4. Install replacement well in header.

**NOTE:** Installation in polymer header should be hand tight plus 1/2 turn.

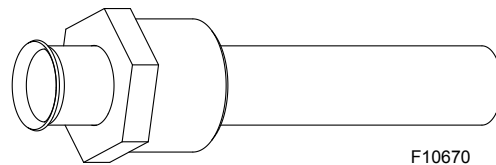


Figure 66. Well Assembly Unitherm Governor (U.G.) Replacement

## Unitherm Governor (U.G.) Replacement

1. Shut water, gas and electricity off, close valves and relieve pressure.
2. Drain heat exchanger.
3. Remove retainer plug located next to the outlet pipe connection on polymer header models.
4. Unsnap old U.G. to remove from retainer plug. Snap in new U.G.
5. Reinstall retainer plug, taking care to lubricate gasket with a non-petroleum based grease such as AquaLube.

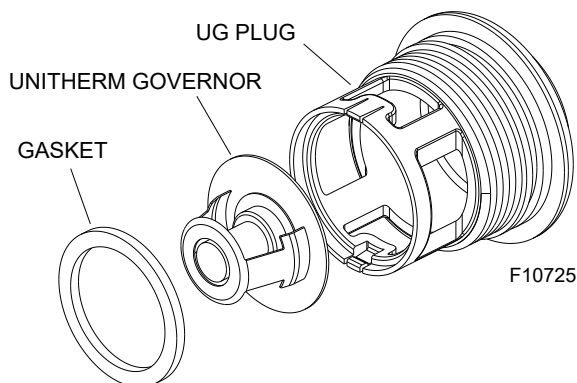


Figure 67. Unitherm Governor - Polymer

To test the operation of the Unitherm Governor - Polymer, place in hot water (over 110°F [43°C]) and watch for movement against spring. If there is no movement, replace unit.

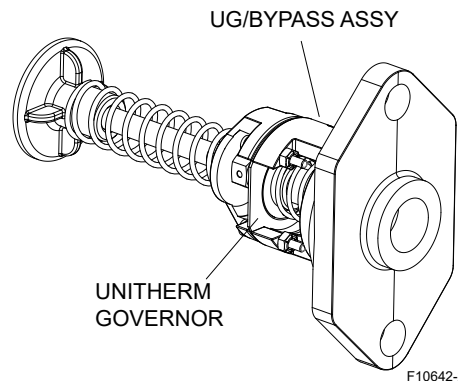


Figure 68. Unitherm Governor/Bypass Valve Assy – ASME

**NOTE:** The U.G. on bronze header models (ASME) can only be replaced by replacing the entire Unitherm Governor/Bypass Valve Assembly.

## 9. OPERATING INSTRUCTIONS

### Before Start-Up

#### Burners

Keep heater area clear and free from combustibles, flammable liquids and chemicals. Do not obstruct the flow of combustion and ventilation air.

#### Water

Water must be flowing through the heater during operation. Ensure that the system is filled with water and that the pump is operating.

### Start-Up Procedures

Your pool/spa heater has been designed for years of safe and reliable pool/spa water heating. It is available with millivolt or electronic ignition. ASME-certified units typically used in commercial applications, are also available. This manual provides installation, operation, maintenance, and service information for these heaters.

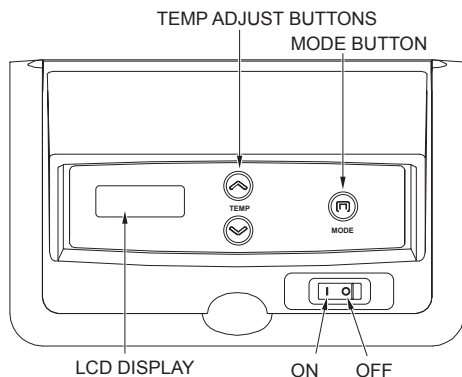


Figure 69. Heater Control Toggle Switch

If your heater has been installed correctly, operating the heater is an easy task. The upper front panel of the heater contains the control center that allows you to turn the heater On or Off and adjust the temperature settings for the pool or spa. The temperature range is factory set from 65°F (18°C) to 104°F (40°C). See **Figure 69** for location of toggle switch to turn the heater On and Off.

See **Section 8** for additional details about the use of the controls in the Control Adjustments subsection.

### After Start-Up

Feel the inlet and outlet pipes. Outlet pipe should be only slightly warmer than the inlet. It should not be hot.

**⚠ WARNING:** Should overheating occur or the gas supply fail to shut off, turn off the manual gas control to the appliance.

### APPROVED

#### Visual inspection

With the heater on, remove the door and make a visual check of the pilot and burner. The flame should be blue with a well-defined pattern.

A yellow or "floating" flame indicates restricted air openings or incorrect orifice size. Should this occur, shut the heater off and contact your installer or gas supplier.

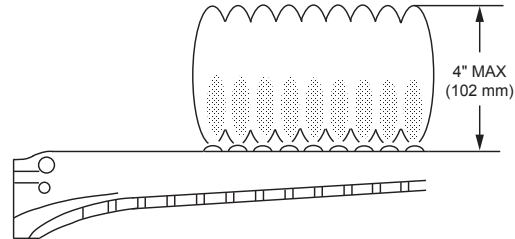


Figure 70. Main Burner Flame

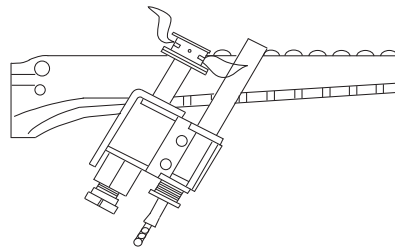


Figure 71. Millivolt Pilot Burner Flame

#### Water Pressure Switch

A water pressure switch is provided in the heater to shut off the burners in the event that water supply is interrupted. It is very important to verify that the switch electrically opens and shuts off the gas valve when water flow to the heater is interrupted. Otherwise rapid and severe damage will likely occur to the heater.

The water pressure switch should be checked and adjusted for proper operation by a qualified service person at the time of installation and periodically checked thereafter. Refer to **"Water Pressure Switch Adjustment"** on page 32 of this manual.

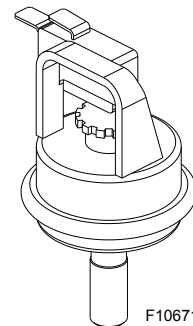


Figure 72. Water Pressure Switch

**⚠ WARNING:** Operation of the heater without water circulation will cause rapid and severe damage to the heater. Such damage is not covered under warranty.

**APPROVED**  
**OPERATING INSTRUCTIONS AND SHUTOFF PROCEDURES**  
**MILLIVOLT SYSTEM**  
**(MANUALLY-LIGHTED PILOT)**

**FOR YOUR SAFETY READ BEFORE LIGHTING**

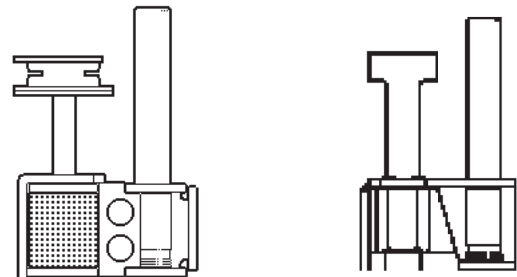
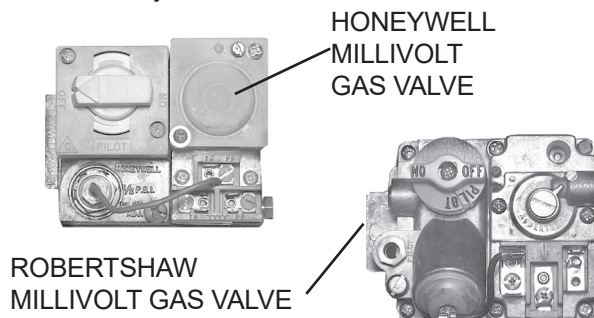
- A. This appliance has a pilot which must be lit by hand. When lighting the pilot, follow these instructions exactly.
  - B. BEFORE LIGHTING, smell all around the appliance area for gas. Be sure to smell near the floor because some gas is heavier than air and will settle on the floor.
- WHAT TO DO IF YOU SMELL GAS:
- \*Do not try to light any appliance.
  - \*Do not touch any electric switch; do not use any phone in your building.
  - \*Immediately call your gas supplier from a neighbor's phone. Follow the gas supplier's instructions.
- C. Use only your hand to push in or turn the gas control knob. Never use tools. If the knob will not push in or turn by hand, do not try to repair it. Call a qualified service technician. Force or attempted repair may result in a fire or explosion.
  - D. Do not use this appliance if any part has been under water. Immediately call a qualified service technician to inspect the appliance and to replace any part of the control system and any gas control which has been under water.

**LIGHTING INSTRUCTIONS**

1. **STOP!** Read the safety information above.
2. Set the thermostat to the lowest setting.
3. Turn On/Off switch to the "OFF" position.
4. Remove heater door panel.
5. Push in gas control knob slightly and turn clockwise to "OFF".

**NOTE:** Knob cannot be turned from "PILOT" to "OFF" unless knob is pushed in slightly. Do not force.

6. Wait 5 minutes to clear out any gas. If you then smell gas, **STOP!** Follow "B" in the safety information above. If you don't smell gas, go to the next step.
7. Locate pilot mounted in the right side panel of the burner tray.



8. Turn gas control knob counter-clockwise to "PILOT".
9. Place flame to end of pilot tube. Push in control knob all the way and hold to light pilot. Continue to hold control knob in for about one minute after the pilot has lighted, release knob and it will pop up. Pilot should remain lighted. If it goes out, repeat steps 5 through 9. If knob does not pop up when released, stop and immediately call your service technician or gas supplier.
10. Stand to the side of the heater and turn the gas control knob counter-clockwise to "ON".
11. Replace heater door panel.
12. Turn On/OFF switch to the "ON" position.
13. Set thermostat to the desired setting.

**TO TURN OFF GAS TO APPLIANCE**

1. Set the thermostat at the lowest setting.
2. Turn On/Off switch to the "OFF" setting.
3. Remove heater door panel.
4. Push the gas control knob slightly and turn clockwise to "OFF". Do not force.
5. Replace heater door panel.

APPROVED  
**OPERATING INSTRUCTIONS AND SHUTOFF PROCEDURES  
ELECTRONIC IGNITION DIGITAL MODELS  
(AUTOMATICALLY-LIGHTED PILOT)**

**FOR YOUR SAFETY READ BEFORE LIGHTING**

- A. This appliance is equipped with an ignition device which automatically lights the pilot. Do not try to light the pilot by hand.
- B. BEFORE OPERATING, smell all around the appliance area for gas. Be sure to smell near the floor because some gas is heavier than air and will settle on the floor.



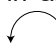
**WHAT TO DO IF YOU SMELL GAS:**

- \*Do not try to light any appliance.
- \*Do not touch any electric switch; do not use any phone in your building.
- \*Immediately call your gas supplier from a neighbor's phone. Follow the gas supplier's instructions.

\*If you cannot reach your gas supplier, call the fire department.

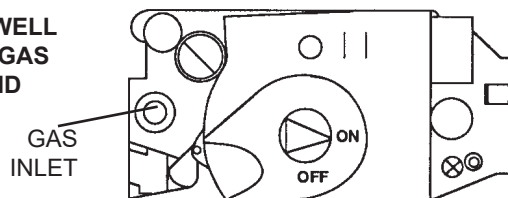
- C. Use only your hand to push in or turn the gas control knob. Never use tools. If the knob will not push in or turn by hand, do not try to repair it. Call a qualified service technician. Force or attempted repair may result in a fire or explosion.
- D. Do not use this appliance if any part has been under water. Immediately call a qualified service technician to inspect the appliance and to replace any part of the control system and any gas control which has been under water.

**LIGHTING INSTRUCTIONS**

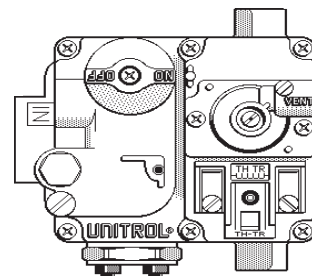
1. **STOP!** Read the safety information above.
2. Set the thermostat to the lowest setting.
3. Turn off all electrical power to the appliance.
4. This appliance is equipped with an ignition device which automatically lights the pilot. Do not try to light the pilot by hand.
5. Remove heater door panel.
6. For **Honeywell valve**: Turn gas control knob clockwise  to "OFF". For **Robertshaw valve**: Models 266-406: Turn gas control knob clockwise  to "OFF". Model 206 Push in and move gas control lever counter-clockwise  to "OFF" position.
7. Wait 5 minutes to clear out any gas. If you then smell gas, **STOP!** Follow "B" in the safety information above. If you don't smell gas, go to the next step.
8. Turn gas control knob counter-clockwise to "ON". (Honeywell VR8340 and Robertshaw 7000).
9. Replace heater door panel.
10. Turn on all electrical power to the appliance.
11. Set thermostat to desired setting.

12. If the appliance will not operate, follow the instructions "To Turn Off Gas To Appliance" and call your service technician or gas supplier.

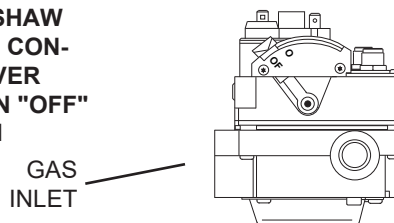
**HONEYWELL  
VR8340 GAS  
VALVE IID**




**ROBERTSHAW 7000  
GAS VALVE IID**



**ROBERTSHAW  
7200 GAS CON-  
TROL LEVER  
SHOWN IN "OFF"  
POSITION**



**TO TURN OFF GAS TO APPLIANCE**

1. Set the thermostat at the lowest setting.
2. Turn off all the electrical power to the appliance if service is to be performed.
3. Remove heater door panel.
4. For **Honeywell VR8340 and Robertshaw 7000 gas valve**. Turn gas control knob clockwise  to "OFF". Make sure knob rests against stop.
5. Replace heater door panel.

## 10. MAINTENANCE AND CARE

**▲ WARNING:** Check the heater for possible rodent nests after long periods of non-use.

To be followed one month after start-up and then semi-annually.

1. Inspect the top of the heater and drafthood for soot, a sticky black substance around finned tubes and "V" baffles, and open flue gas passageways. Any visible soot should be cleaned for proper operation.

**▲ CAUTION:** Soot may be combustible. Wet sooted surfaces completely prior to cleaning. Do not use steel wire brush.

2. Clean main burners and pilot burner of dust and lint.
3. Inspect and operate all controls, gas valve and pressure relief valve (if equipped).
4. Make visual check of the burner and pilot flames. Yellow flame means restriction of the air openings. Lifting or blowing flame indicates high gas pressure. Low flame means low gas pressure. Should the latter occur, shut the heater off and contact your gas supplier or qualified service agency. See **Figure 70** and **Figure 71**.
5. On indoor heaters, clean room intake openings to ensure adequate flow of combustion and ventilation air.

**▲ CAUTION:** Combustion air must not be contaminated by corrosive chemical fumes which can damage the heater. Such damage is not covered under warranty.

6. Keep area around heater clear and free from combustible materials, gasoline and other flammable and corrosive vapors and liquids.

### If Heater Will Not Fire:

If you have no electrical power, it may be that your "circuit breaker" has tripped. Try re-setting it.

If you have electrical power but the heater will not fire check the following or see "**TROUBLESHOOTING**" on **page 40**.

1. The time clock must be in the "ON" position.
2. Your pump strainer basket may be full. If so remove debris.
3. Your filter may be dirty. If so, backwash or clean filter. (To tell if your filter is dirty, look to see if the filter pressure is higher than usual).
4. The pump may have lost its prime and be running dry. Check the pressure on the filter. If there is no pressure, then you are not moving water (or your gauge is broken). Try to get the pump to run at its normal flow rate.

## Cold Weather Operation

### Important Freeze Information

**MODERATE CLIMATE:** Heater operation can continue during short-term cold spells. When temperatures are between 0°F (-18°C) and 32°F (0°C), flow (continuous pump operation) must be maintained.

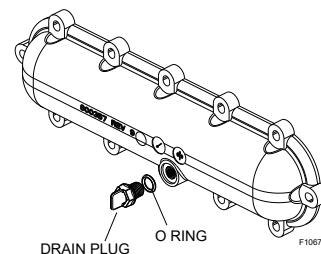
**▲ CAUTION:** Do not use the heater to maintain water temperatures just above freezing or for freeze protection. When heater is used during freezing weather, care must be taken to avoid freeze-ups. Continuous pump operation is a must. Additional protection may be required. The heater is not warranted against freeze-ups.

**COLD CLIMATE:** Prolonged operation with water temperatures below 50°F (10°C) is not recommended. When starting the heater with water temperatures below 50°F (10°C), operate the heater continuously until higher temperatures are reached. Operating the heater for prolonged periods with pool water below 50°F (10°C) can seriously damage the heater, and is not covered by the warranty. For cold climate areas, please follow the winterizing procedures listed below.

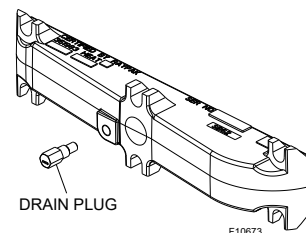
### Winterizing the Pool and Spa Heater

Heaters installed outdoors in freezing climate areas may be shut down for the winter. Observe the following procedure for winterizing the heater:

1. Turn off gas valve, manual gas valve, and electrical supply to the heater.
2. Remove the ProTek Shield™ Assembly (if attached). Remove the heat exchanger inspection panel on the side opposite water piping to gain access to the drain plug on the return header. Open drain plug on return header. See **Figure 73** and **Figure 74**.



**Figure 73. Return Header Drain Plug - Residential ("P" Prefix Model)**



**Figure 74. Return Header Drain Valve - Commercial ("B" Prefix Model)**

# 11. TROUBLESHOOTING

**IMPORTANT NOTICE:** These instructions are intended for the use of qualified personnel who are specifically trained and experienced in the installation of this type of heating equipment and related system components. Installation and service personnel may be required by some states to be licensed. Persons not qualified shall not attempt to install this equipment nor attempt repairs according to these instructions.

Problem	Possible Cause	Corrective Action	
<b>Harmonics, or whining noise</b>	U.G. inoperative.....	Check movement by putting in hot water (110°F [43°C] or higher)	
	*Debris or restriction in system.....	Locate the restriction and remove. Flush system and clean	
	*Debris in gas line.....	Remove debris or blow out gas line	
	Low flow.....	Scale forming in heat exchanger - clean heat exchanger and check pool pH and total alkalinity	
	When the above listed recommendations do not generate acceptable results, the following service kits are recommended:		
	1st recommendation: <b>105F UG Service Kit</b>	2nd recommendation: <b>Coil Service Kit</b>	
	018759F	019104F	<b>Used on Models</b> 206-207
	018759F	019203F	266-268
	018758F	019204F	336-337
	018758F	019205F	406-408
<b>Heater going on and off continuously</b>	Dirty filter .....	Clean or replace filter	
	Low water level in pool .....	Raise water level	
	External bypass setting out of adjustment.....	Adjust bypass	
	*Pressure switch out of adjustment .....	Adjust pressure switch	
<b>Liming or scale forming in exchanger</b>	Pool water.....	See Water Chemistry on <b>page 5</b>	
	Bypassing too much water .....	Inspect bypass for movement, if no movement, replace	
	U.G. not functioning.....	Replace if no movement when heated	
<b>Sooting</b>	High flow rates.....	Reduce by adding manual bypass valve Adjust manual bypass valve until heater outlet water temp is between 105°F and 110°F (40°C and 43°C)	
	U.G. inoperative.....	Check movement by putting in hot water (110°F [43°C] or higher). If no movement, replace	
	*Air starvation .....	Refer to installation instructions	
	*Improper venting .....	Follow recommended installation instructions	
	*Insects or debris clogging burner intake ports.....	Clean burners	
<b>Pilot outage or "Weak Flame" signal</b>	Low gas pressure .....	Adjust gas pressure	
	Restricted/dirty pilot.....	Clean pilot	
	Weak pilot generator .....	Replace pilot	
<b>Yellow lazy flame</b>	Low gas pressure .....	Adjust gas pressure	
	*Insects or debris clogging burner intake ports.....	Clean burners	
<b>Outer jacket very hot (paint blistered)</b>	*Broken refractory caused by shipping damage or improper combustion.....	Replace refractory panels	
	Excessive sooting of heat exchanger.....	Determine cause of sooting and correct	

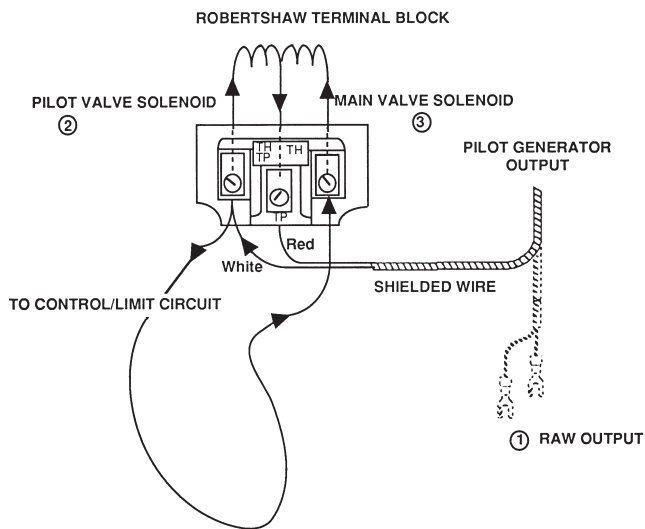
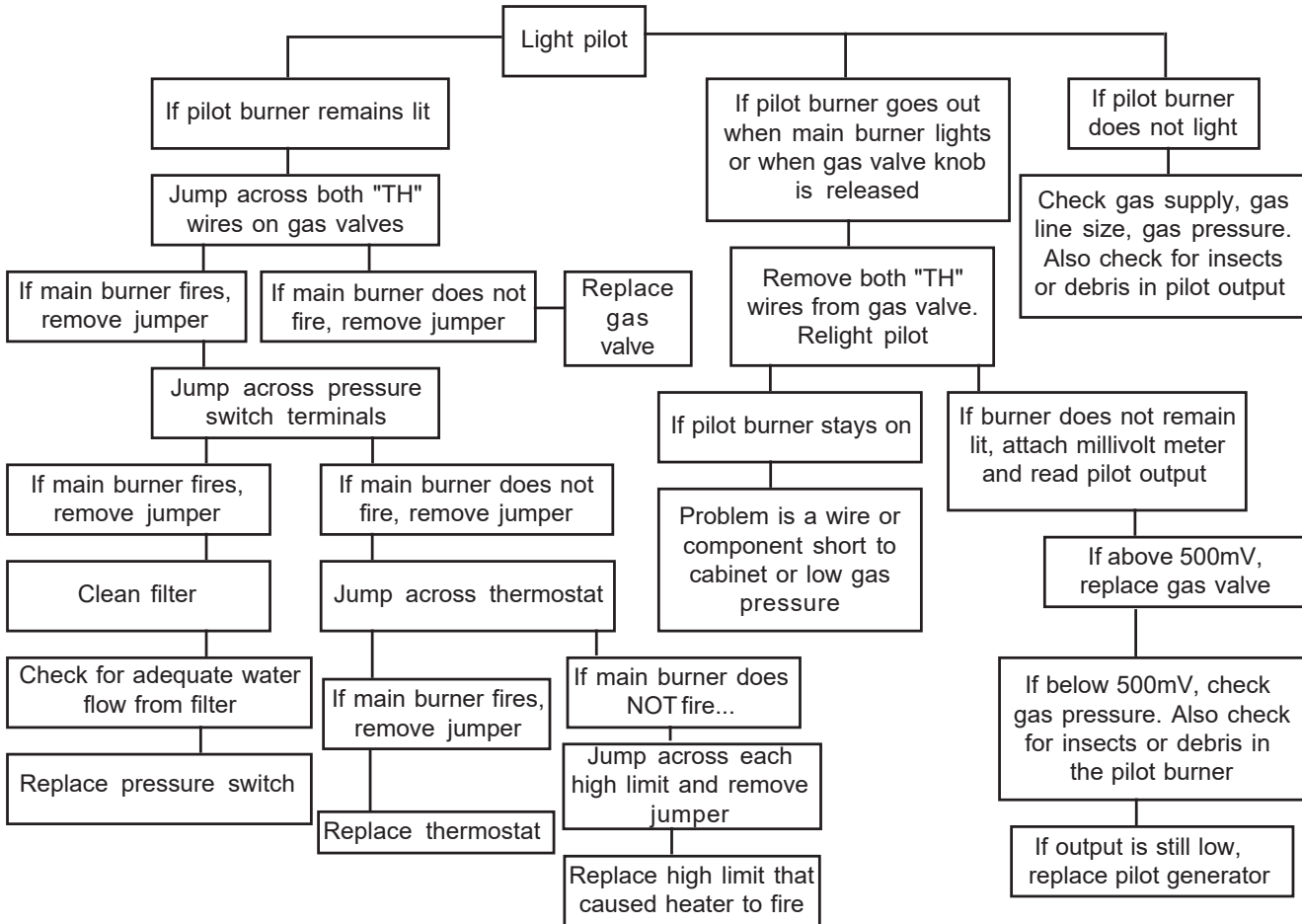
\* Indicates symptom which usually occurs on initial start-up.



# TROUBLESHOOTING (CONT:)

Problem	Possible Cause	Corrective Action
<b>Takes too long to heat pool or spa</b>	Under-sized heater .....	Calculate heating capacity of heater $\frac{\text{Htr. output (BTUH)}}{\text{Pool gallonage} \times 8.33}$ or refer to heater sizing chart This does not take into account heat loss due to weather
	Filter not running long enough.....	Reset time clock
	Dirty filter .....	Clean filter
	Gas line or meter undersized .....	Refer to installation instructions
<b>Leaking at well</b>	Overacid .....	Replace well and maintain proper water chemistry
<b>Leaking at heat exchanger</b>	Overacid .....	Replace heat exchanger and maintain proper water chemistry
<b>Gasket brittle and leaking - (overheated)</b>	Heater running after pump shuts off.....	See Pressure switch adjustment
	Refractory damage .....	Replace refractory
	Sooted heater .....	Determine cause of sooting and correct

# Millivolt - Flow Chart

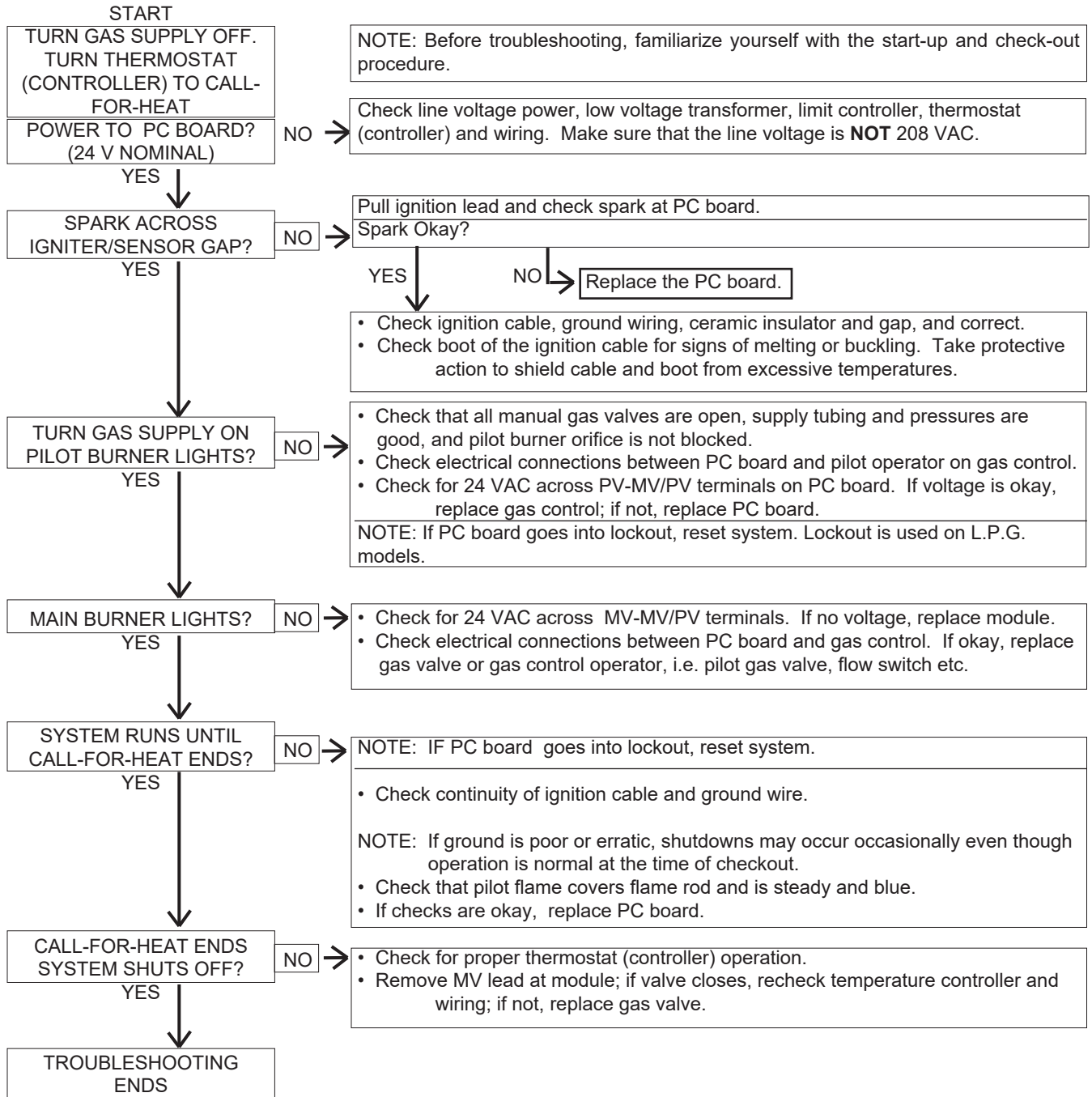


- ① Raw Output ( $700mV \pm 100$ )  
Pilot generator disconnected from valve (knob must be held down to keep pilot on).  
White – Negative  
Red + Positive
- ② Pilot Load ( $500mV \pm 100$ )  
Pilot generator connected to valve-Power applied to pilot solenoid.  
TP (Thermopile-Robertshaw)  
PP (Power Pile-Honeywell)  
TH TP – Common  
TH PP – Common
- ③ Main Valve Load ( $200mV \pm 100$ )  
Control/Limit circuit closed (All switches “ON”)  
TP (Thermopile-Robertshaw)  
PP (Power Pile-Honeywell)  
TH TP – Common  
TH PP – Common

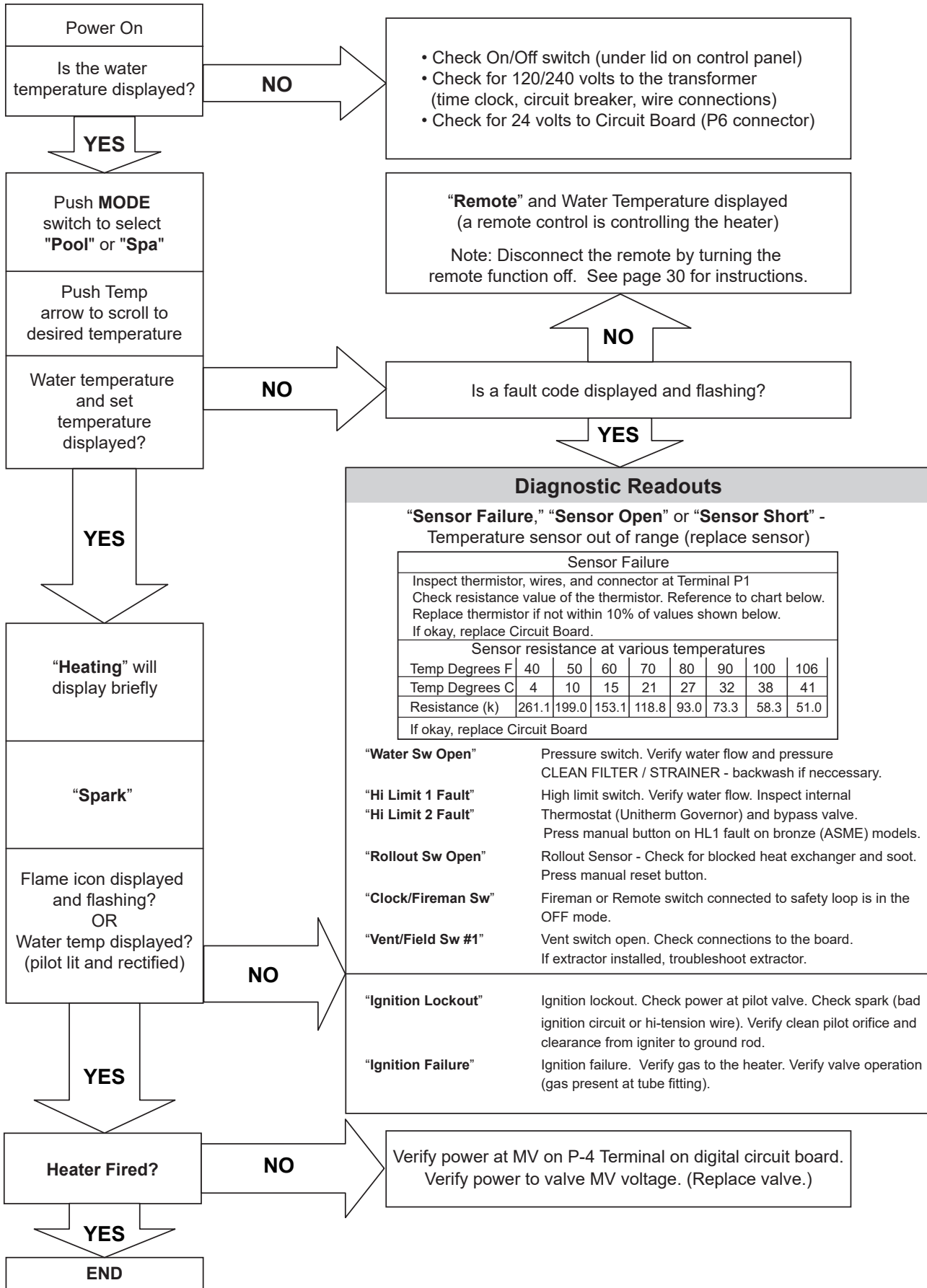
# Digital - Flow Chart

**⚠ WARNING: HIGH VOLTAGE**  
For qualified technicians ONLY

**NOTE:** Some heaters may be equipped with an ignition module that shuts off pilot gas if pilot fails to light. To reset, interrupt power to heater.



# Control Logic - Flow Chart - Digital



• Check On/Off switch (under lid on control panel)  
• Check for 120/240 volts to the transformer (time clock, circuit breaker, wire connections)  
• Check for 24 volts to Circuit Board (P6 connector)

“Remote” and Water Temperature displayed (a remote control is controlling the heater)  
  
Note: Disconnect the remote by turning the remote function off. See page 30 for instructions.

Is a fault code displayed and flashing?

**Diagnostic Readouts**

“Sensor Failure,” “Sensor Open” or “Sensor Short” - Temperature sensor out of range (replace sensor)

Sensor Failure								
Inspect thermistor, wires, and connector at Terminal P1								
Check resistance value of the thermistor. Reference to chart below.								
Replace thermistor if not within 10% of values shown below.								
If okay, replace Circuit Board.								
Sensor resistance at various temperatures								
Temp Degrees F	40	50	60	70	80	90	100	106
Temp Degrees C	4	10	15	21	27	32	38	41
Resistance (k)	261.1	199.0	153.1	118.8	93.0	73.3	58.3	51.0
If okay, replace Circuit Board								

“Water Sw Open” Pressure switch. Verify water flow and pressure  
CLEAN FILTER / STRAINER - backwash if necessary.

“Hi Limit 1 Fault” High limit switch. Verify water flow. Inspect internal  
Thermostat (Unitherm Governor) and bypass valve.

“Hi Limit 2 Fault” Press manual button on HL1 fault on bronze (ASME) models.

“Rollout Sw Open” Rollout Sensor - Check for blocked heat exchanger and soot.  
Press manual reset button.

“Clock/Fireman Sw” Fireman or Remote switch connected to safety loop is in the  
OFF mode.

“Vent/Field Sw #1” Vent switch open. Check connections to the board.  
If extractor installed, troubleshoot extractor.

“Ignition Lockout” Ignition lockout. Check power at pilot valve. Check spark (bad  
ignition circuit or hi-tension wire). Verify clean pilot orifice and  
clearance from igniter to ground rod.

“Ignition Failure” Ignition failure. Verify gas to the heater. Verify valve operation  
(gas present at tube fitting).

Verify power at MV on P-4 Terminal on digital circuit board.  
Verify power to valve MV voltage. (Replace valve.)

## 12. REPLACEMENT PARTS

**NOTE:** To supply you with the correct part, it is important that you supply the heater model number, serial number and type of gas when applicable.

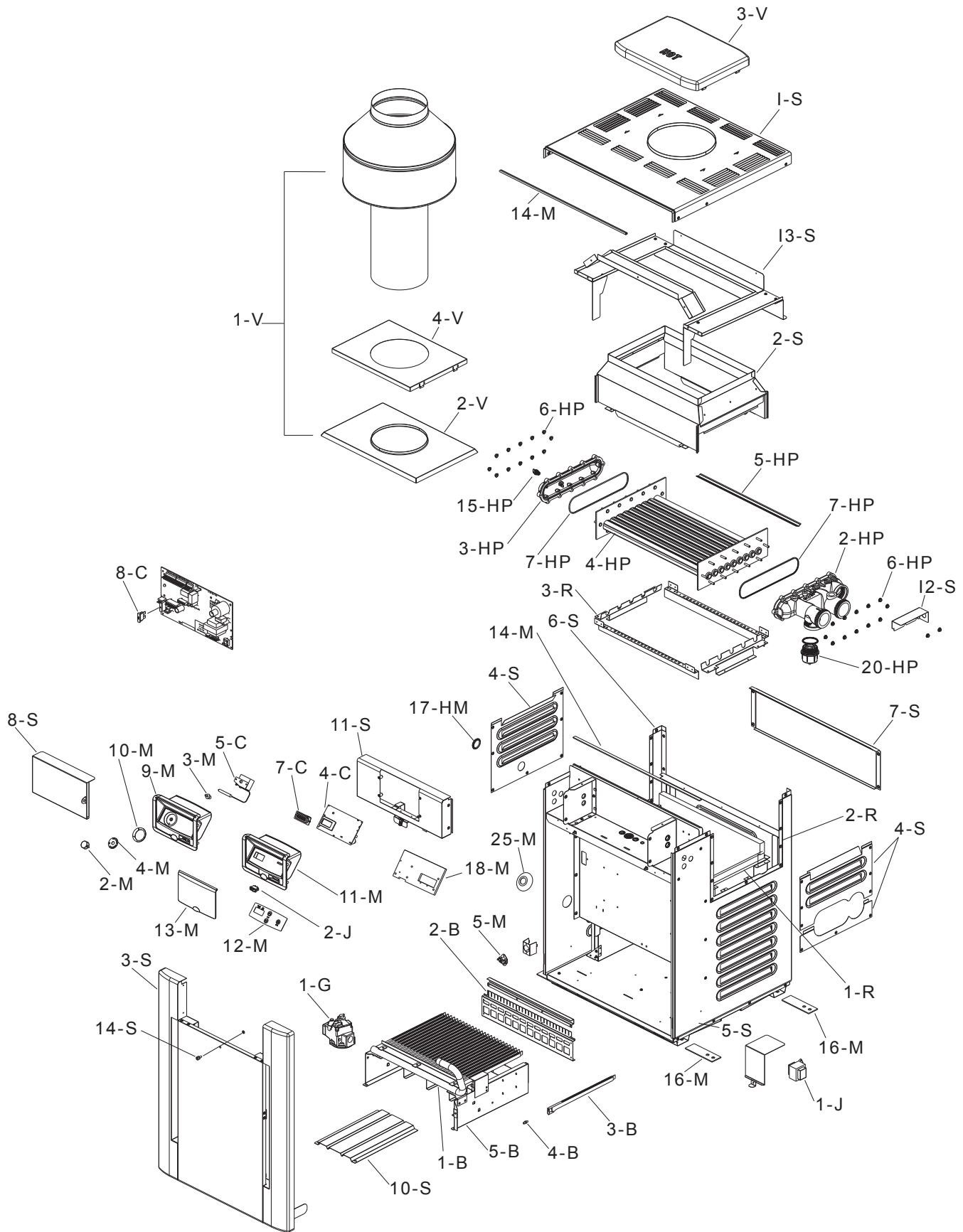
Any part returned for replacement under standard company warranties must be properly tagged with a return parts tag, completely filled in with the heater serial number, model number, etc., and shipped to the Company freight prepaid.

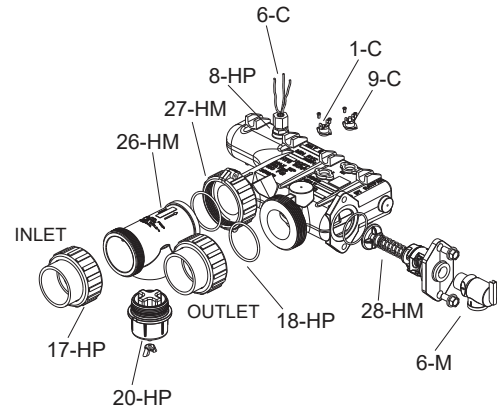
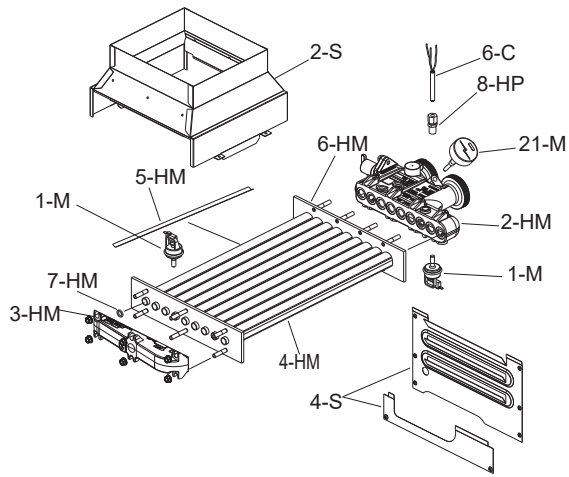
If determined defective by the Company and within warranty, a like part or equal substitution will be returned, freight collect. Credit will not be issued.

**MANUFACTURER:**

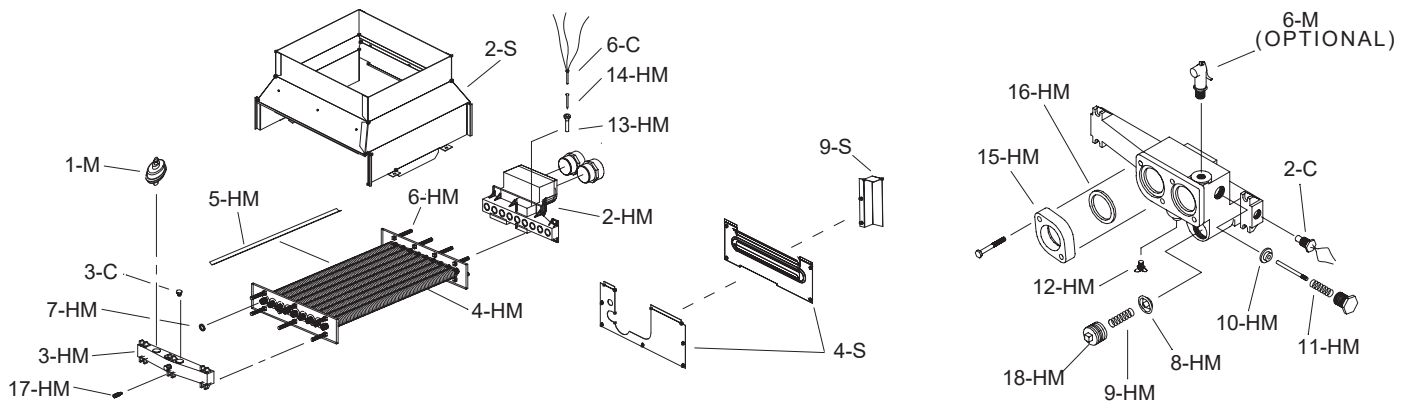
2151 Eastman Avenue  
Oxnard, Ca 93030

# 13. ILLUSTRATED PARTS LIST

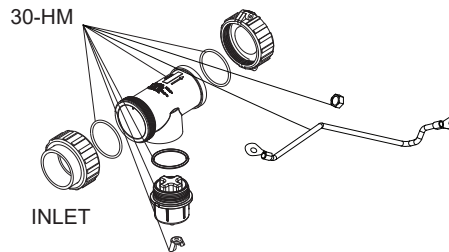




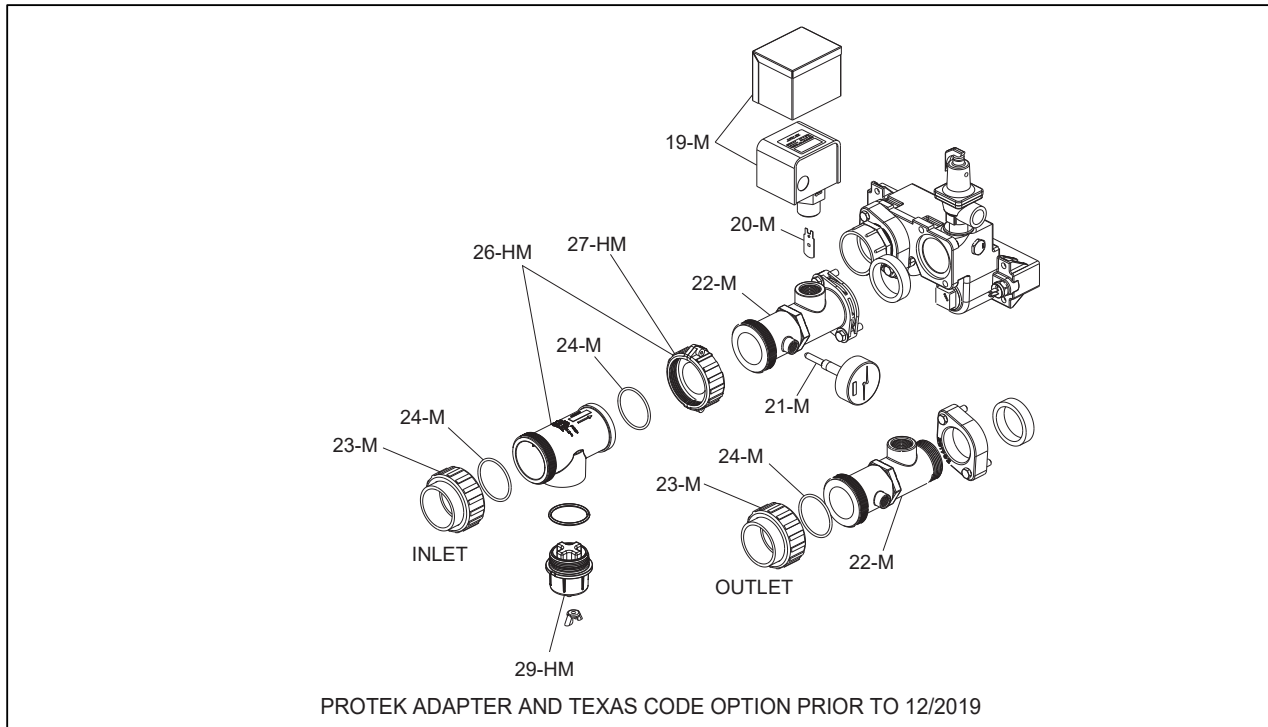
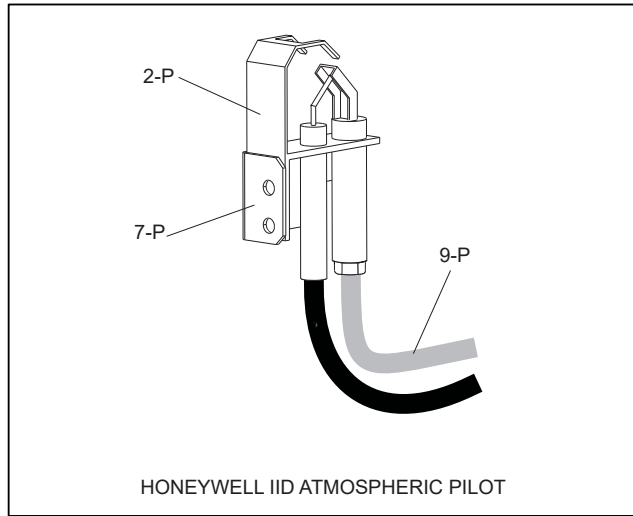
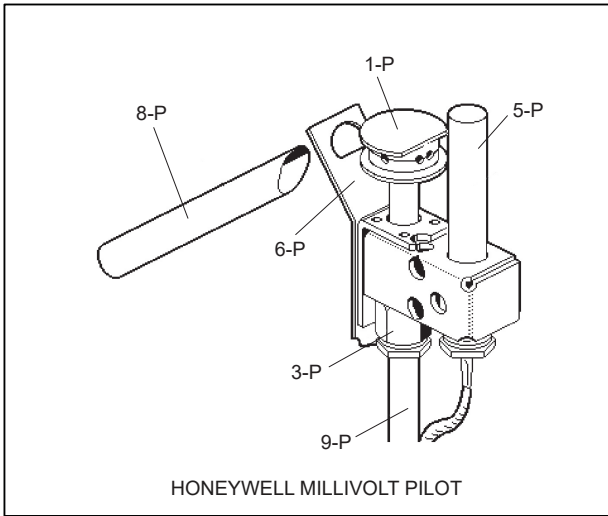
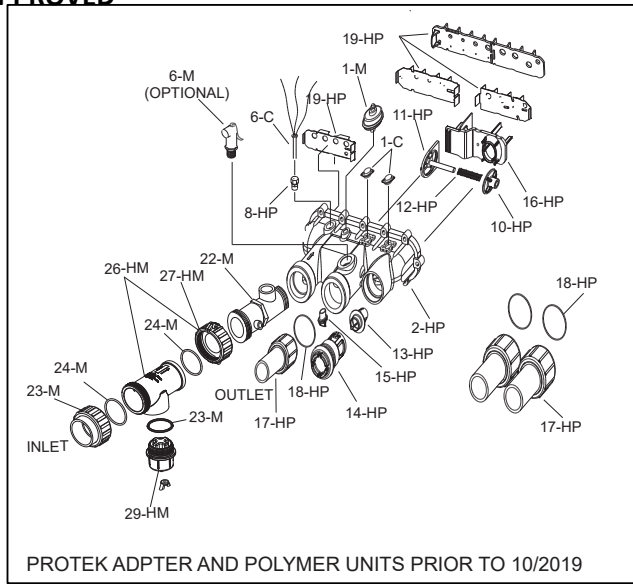
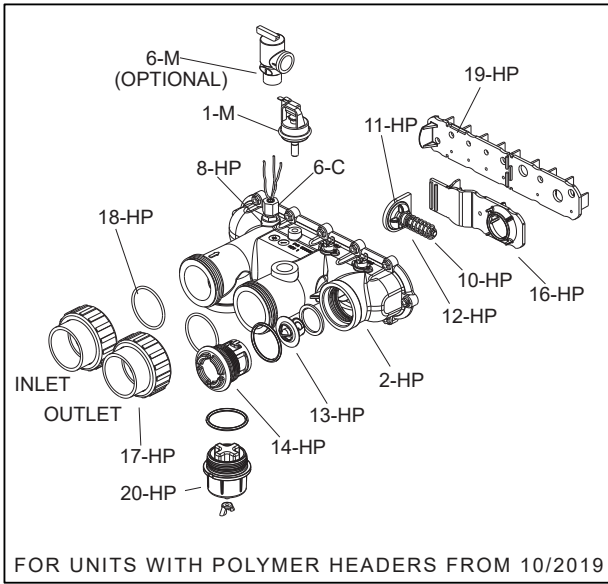
FOR UNITS WITH ASME BRONZE HEADERS FROM 12/2019  
(PROTEK SHIELD AVAILABLE ON ASME HEATERS AFTER END OF Q3 2020)



UNITS WITH ASME CAST IRON HEADERS, DISCONTINUED 12/2019



PROTEK SHIELD ADAPTER KIT





**APPROVED**

CALL OUT	DESCRIPTION	206A	266/266A	336A	399/406A	
<b>B</b>	<b>BURNER TRAY - SPECIFY ELEVATION*</b>					
1-B	Polymer Cu HX, or ASME HX (Cu or Cupro) NAT #50 ORIFICE	Burner Tray w/Burners Nat (sea level)* Burner Tray w/Gas Valve Nat Millivolt (sea level)* Burner Tray w/Gas Valve Nat IID (sea level)*	010391F 010399F 010407F	010392F 010400F 010408F	010393F 010401F 010409F	010394F 010402F 010410F
	Polymer Cu HX, or ASME HX (Cu or Cupro) PRO #57 ORIFICE	Burner Tray w/Burners Pro (sea level)* Burner Tray w/Gas Valve Pro Millivolt (sea level)* Burner Tray w/Gas Valve Pro IID (sea level)*	019206F 010403F 010411F	019207F 010404F 010412F	019208F 010405F 010413F	019209F 010406F 010414F
	Polymer Cupro HX NAT #51 ORIFICE	Burner Tray w/Burners Nat (sea level)* Burner Tray w/Gas Valve Nat Millivolt (sea level)* Burner Tray w/Gas Valve Nat IID (sea level)*	019210F 019214F 019218F	019211F 019215F 019219F	019212F 019216F 019220F	019213F 019217F 019221F
	Polymer Cupro HX PRO #58 ORIFICE	Burner Tray w/Burners Pro (sea level)* Burner Tray w/Gas Valve Nat IID (sea level)* Burner Tray w/Gas Valve Pro IID (sea level)*	019222F 019226F 019230F	019223F 019227F 019231F	019224F 019228F 019232F	019225F 019229F 019233F
2-B	Burner Spacer/Hold Down Kit		010415F	010416F	010417F	010418F
3-B	Burner		301210/13	301210/18	301210/22	301210/27
4-B	Burner Orifice (TO BE ORDERED BASED ON RATING PLATE AND ELEVATION)					
	Natural Gas					
	Burner Orifice #50* (0-1999 ft elevation)		350079F/13	350079F/18	350079F/22	350079F/27
	Burner Orifice #51* (2000-5999 ft elevation)		350080F/13	350080F/18	350080F/22	350080F/27
	Burner Orifice #52* (6000-8999 ft elevation)		350081F/13	350081F/18	350081F/22	350081F/27
	Burner Orifice #53* (9000 + ft elevation)		350347F/13	350347F/18	350347F/22	350347F/27
	Propane Gas					
	Burner Orifice #57* (0-1999 ft elevation)		350083F/13	350083F/18	350083F/22	350083F/27
	Burner Orifice #58* (2000-2999 ft elevation)		350087F/13	350087F/18	350087F/22	350087F/27
	Burner Orifice #59* (3000-4999 ft elevation)		350350F/13	350350F/18	350350F/22	350350F/27
	Burner Orifice #60* (5000-6999 ft elevation)		350351F/13	350351F/18	350351F/22	350351F/27
	Burner Orifice #61* (7000-7999 ft elevation)		350352F/13	350352F/18	350352F/22	350352F/27
5-B	Burner Tray w/o Manifold w/o burners		010421F	010422F	010423F	010424F
<b>C</b>	<b>CONTROLS</b>					
1-C	High Limit Auto Reset 135°F Deg Surface Mount		006725F	006725F	006725F	006725F
2-C	AGS 135°F (Auto Gas Shut-Off) - Red Epoxy - prior to 12/2019		600892B	600892B	600892B	600892B
3-C	High Limit 140°F - Black Epoxy - prior to 12/2019		600893B	600893B	600893B	600893B
4-C	P.C. Board/Control		013464F	013464F	013464F	013464F
7-C	LCD Display					
	Units manufactured from 5/2011		013640F	013640F	013640F	013640F
8-C	Fuse 5 AMP		013733F	013733F	013733F	013733F
5-C	Thermostat Control MV Units Mechanical		003346F	003346F	003346F	003346F
6-C	Temperature Sensor IID Units		009577F	009577F	009577F	009577F
9-C	High Limit Auto Reset 150°F Surface Mount (ASME Only)		018304F	018304F	018304F	018304F
<b>G</b>	<b>GAS VALVE</b>					
1-G	Combination Valve - Nat. MV		003898F	003898F	003898F	003898F
	Combination Valve - Pro. MV		003899F	003899F	003899F	003899F
	Combination Valve - Nat. IID		003900F	003900F	003900F	003900F
	Combination Valve - Pro. IID		004306F	004306F	004306F	004306F
<b>HP</b>	<b>HEAT EXCHANGER - POLYMER (RESIDENTIAL ONLY)</b>					
1-HP	Heat Exchanger Assy Copper ***					
	Units manufactured from 10/2019		017994F	017995F	017996F	017997F
	Units manufactured prior to 10/2019		010043F	010044F	010045F	010046F
	Heat Exchanger Assy Cupronickel ***					
	Units manufactured from 10/2019		017998F	017999F	018000F	018001F
	Units manufactured from 7/2013 thru 9/2019		014926F	014927F	014928F	014929F
	Units manufactured prior to 7/2013		010356F	010357F	010358F	010359F
2-HP	Inlet/Outlet Header Complete					
	Units manufactured from 10/2019		017959F	017959F	017959F	017959F
	Units manufactured prior to 10/2019		006827F	006827F	006827F	006827F
	Inlet/Outlet Header (Includes 6-HP)					
	Units manufactured from 10/2019		017965F	017965F	017965F	017965F
	Units manufactured prior to 10/2019		014648F	014648F	014648F	014648F
3-HP	Return Header (Includes 6-HP)		015095F	015095F	015095F	015095F
4-HP	Tube Bundle Copper ** & ***		010059F	010060F	010061F	010062F
	Tube Bundle Cupronickel ** & ***					
	Units manufactured from 7/2013		014930F	014931F	014932F	014933F
	Units manufactured prior to 7/2013		010364F	010365F	010366F	010367F
5-HP	Baffle (Copper Heat Exchanger)		010038F	005261F	010040F	010041F
	Baffle (Cupronickel Heat Exchanger)					
	Units manufactured from 6/2013		014934F	014935F	014936F	014937F
	Units manufactured prior to 6/2013		010038F	005261F	010040F	010041F
6-HP	Flange Nut Kit		008259F	008259F	008259F	008259F
7-HP	O Ring Gasket (2)		006713F	006713F	006713F	006713F
8-HP	Sensor Adapter Digital Electronic		006714F	006714F	006714F	006714F
	Sensor Well Millivolt		006805F	006805F	006805F	006805F
9-HP	Bypass Kit		006715F	006715F	006715F	006715F
10-HP	Bypass Valve		006716F	006716F	006716F	006716F
11-HP	Bypass Dam / Shaft		006717F	006717F	006717F	006717F
12-HP	Bypass Spring (All Sizes Included)		006718F	006718F	006718F	006718F
13-HP	Unitherm Governor		006719F	006719F	006719F	006719F
14-HP	Unitherm Governor Plug		006720F	006720F	006720F	006720F
15-HP	Drain Plug		006721F	006721F	006721F	006721F
16-HP	Inlet/Outlet Header Dam		N/A Use 19-HP	N/A Use 19-HP	N/A Use 19-HP	N/A Use 19-HP
17-HP	2" CPVC Connector & Nut (2)		006723F	006723F	006723F	006723F
18-HP	O Ring (2)		006724F	006724F	006724F	006724F
19-HP	Inlet/Outlet Header Baffle w/Header Dam		006826F	006826F	006826F	006826F
20-HP	ProTek Shield™ Assembly		017960F	017960F	017960F	017960F

\*FOR INSTALLATION AT OVER 2,000 FEET ABOVE SEA LEVEL, DERATE 4% PER 1,000 FEET ABOVE SEA LEVEL. Refer to the heater's rating plate.

\*\*WARNING: The Hydraulic conditions or water chemistry that caused the tube bundle to fail have very likely also damaged the bypass valve and Unitherm Governor. We recommend you replace the Unitherm Governor and inspect the bypass assembly. Failure to do so could cause premature failure of this replacement part.

\*\*\*WARNING: Copper and Cupronickel heat exchangers and tube bundles are not interchangeable. Units with suffix "C" must use copper replacement parts and units with suffix "X" must use Cupronickel replacement parts.

**UNCONTROLLED DOCUMENT IF PRINTED**

**APPROVED**

CALL OUT	DESCRIPTION	206A	266/266A	336A	399/406A
<b>HM</b>	<b>HEAT EXCHANGER - METAL (ASME-CERTIFIED, FOR COMMERCIAL USE)</b>				
1-HM	Heat Exchanger Assy.Copper ASME Units manufactured from 12/2019 (Bronze) Units manufactured prior to 12/2019 (Cast Iron)	017983F 010051F	017984F 016193F	017985F 010053F	017986F 010054F
	Heat Exchanger Assy.Cupronickel ASME Units manufactured from 12/2019 (Bronze) Units manufactured prior to 12/2019 (Cast Iron)	017987F 010360F	017988F 010361F	017989F 010362F	017990F 010363F
2-HM	Inlet/Outlet Header ASME Complete Units manufactured from 7/2020 (Bronze) Units manufactured from 12/2019 (Bronze) Units manufactured prior to 12/2019 (Cast Iron)	018740F 017961F 006730F	018740F 017961F 006730F	018741F 017992F 006730F	018741F 017992F 006730F
	Inlet/Outlet Header ASME (Header Only) Units manufactured from 7/2020 (Bronze) Units manufactured from 12/2019 (Bronze) Units manufactured prior to 12/2019 (Cast Iron)	018739F 017966F 012319F	018739F 017966F 012319F	018739F 017966F 012319F	018739F 017966F 012319F
15-HM	Inlet & Outlet Flange - prior to 12/2019	003766F	003766F	003766F	003766F
16-HM	Flange Gasket 1 1/2" Connections - prior to 12/2019 Flange Gasket 2" Connections - prior to 12/2019	062236B 800080B	062236B 800080B	062236B 800080B	062236B 800080B
3-HM	Return Header ASME Units manufactured from 7/2020 (Bronze) Units manufactured from 12/2019 (Bronze) Units manufactured prior to 12/2019 (Cast Iron)	018738F 017973F 006731F	018738F 017973F 006731F	018738F 017973F 006731F	018738F 017973F 006731F
4-HM	Tube Bundle Copper ASME * Units manufactured from 12/2019 Units manufactured prior to 12/2019	017974F 010055F	017975F 006733F	017976F 010057F	017977F 010058F
	Tube Bundle Cupronickel ASME * Units manufactured from 12/2019 Units manufactured prior to 12/2019	017978F 010368F 010038F	017979F 010369F 005261F	017980F 010370F 010040F	017981F 010371F 010041F
5-HM	Baffle	017982F	017982F	017982F	017982F
6-HM	Stud Bolt Kit Units manufactured from 12/2019 Units manufactured prior to 12/2019	007870F 800014B	007870F 800014B	007870F 800014B	007870F 800014B
7-HM	Header Gasket (9)	062234B	062234B	062234B	062234B
8-HM	Unitherm Governor	013792F	013792F	013792F	013792F
9-HM	U.G. Retainer Spring	013738F	013738F	013738F	013738F
18-HM	U.G. Plug	016194F	016194F	016194F	016194F
10-HM	Bypass Valve				
11-HM	Bypass Spring Units with Plastic Bypass Valve (Units manufactured from 3/5/17 to 12/19) Units with Bronze Bypass Valve (Units manufactured prior to 3/5/17)	016196F 013794F	016196F 013794F	016196F 013794F	016196F 013794F
12-HM	Drain Valve	013793F	013793F	013793F	013793F
13-HM	Sensor Well	003765F	003765F	003765F	003765F
14-HM	Well Retaining Clip	300203	300203	300203	300203
17-HM	Rear Drain Plug & Cover	005264F	005264F	005264F	005264F
19-HM	Adapter CPVC 2"	005393F	005393F	005393F	005393F
26-HM	Adapter - ProTek Shield (Includes 27-HM) from end of Q3 2020	018006F	018006F	018006F	018006F
27-HM	Nut - ProTek Shield Adapter - 2-Pc from end of Q3 2020	018007F	018007F	018007F	018007F
28-HM	U.G./Bypass Assembly (Units manufactured from 12/2019)	017958F	017958F	017962F	017962F
29-HM	ProTek Shield Assembly from end of Q3 2020	018766F	018766F	018766F	018766F
30-HM	ProTek Shield Adapter Assembly - from end of Q3 2020	018006F	018006F	018006F	018006F
<b>J</b>	<b>CONTROL BOX</b>				
1-J	Transformer 120/240/24V	006736F	006736F	006736F	006736F
2-J	Rocker Switch	009493F	009493F	009493F	009493F
<b>M</b>	<b>MISCELLANEOUS COMPONENTS</b>				
1-M	Pressure Switch 1.75 PSI Pressure Switch 1.75 PSI Complete Kit (Units manufactured from 12/2019 to 6/2020) Pressure Switch 11 PSI Special-See Water Pressure Switch Adj.	006737F 018297F 009133F	006737F 018297F 009133F	006737F 018297F 009133F	006737F 018297F 009133F
2-M	Thermostat Knob	009499F	009499F	009499F	009499F
3-M	Thermostat Shaft MV	800307	800307	800307	800307
4-M	Knobstop	006886F	006886F	006886F	006886F
5-M	Thermal Fuse	005899F	005899F	005899F	005899F
6-M	PRV	017957F	017957F	017957F	017957F
7-M	Deliming Kit	052871F	052871F	052871F	052871F
8-M	Wire/Harness Millivolt Wire/Harness IID	010386F 009490F	010386F 009490F	010386F 009490F	010386F 009490F
9-M	Control Bezel MV (Includes Dial Decal)	009489F	009489F	009489F	009489F
10-M	Dial Decal MV	009858F	009858F	009858F	009858F
11-M	Control Bezel (Includes Switch Decal) Units manufactured from 5/2011 Units manufactured prior to 5/2011	013491F 009491F	013491F 009491F	013491F 009491F	013491F 009491F
12-M	Switch/Decal-Membrane Units manufactured from 5/2011 Units manufactured prior to 5/2011	013492F 009492F	013492F 009492F	013492F 009492F	013492F 009492F
13-M	Control Bezel Cover	009487F	009487F	009487F	009487F
14-M	Gasket Insulation (Swaybrace & Jacket Top)	010350F	010350F	010350F	010350F
15-M	Touch-up Paint Green Dark Gray Cool Dark Gray Warm Dark Gray	750125 750126 750256 750258	750125 750126 750256 750258	750125 750126 750256 750258	750125 750126 750256 750258
16-M	Tie Down Bracket (Optional)	011636	011636	011636	011636
17-M	Texas Code Option (ASME Only) - Units manufactured prior to 12/2019 Flanged Connection (Not Shown) NPT Connection (Not Shown)	015889F 015890F 014647F	015889F 015890F 014647F	015889F 015890F 014647F	015889F 015890F 014647F
21-M	T & P Gauge				
22-M	2" CPVC Connector (Outlet Plumbing) NPT Connection Flanged Connection	013795F 015883F	013795F 015883F	013795F 015883F	013795F 015883F
23-M	2" CPVC Connector & Nut (2)	006723F	006723F	006723F	006723F
24-M	O Ring (2)	006724F	006724F	006724F	006724F
18-M	PC Board Shield (Optional)	015557F	015557F	015557F	015557F
25-M	Gas Line Finish Flange	016160F	016160F	016160F	016160F

\*WARNING: The Hydraulic conditions or water chemistry that caused the tube bundle to fail have very likely also damaged the bypass valve and Unitherm Governor. We recommend you replace the Unitherm Governor and inspect the bypass assembly. Failure to do so could cause premature failure of this replacement part.

**UNCONTROLLED DOCUMENT IF PRINTED**

**APPROVED**

CALL OUT	DESCRIPTION	206A	266/266A	336A	399/406A
<b>P</b>					
<b>PILOT</b>					
1-P	Pilot Nat. MV	600525B	600525B	600525B	600525B
	Pilot Pro. MV	600575B	600575B	600575B	600575B
3-P	Pilot Orifice Nat. MV	003901F	003901F	003901F	003901F
	Pilot Orifice Pro. MV	003902F	003902F	003902F	003902F
5-P	Pilot Generator MV	600019B	600019B	600019B	600019B
2-P	Pilot Nat & Pro IID	002003F	002003F	002003F	002003F
4-P	Pilot Orifice Nat. IID .020	003903F	003903F	003903F	003903F
	Pilot Orifice Pro. IID .012	004308F	004308F	004308F	004308F
6-P	Pilot MTG Bracket MV	010352F	010352F	010352F	010352F
7-P	Pilot Mounting Bracket IID	306692	306692	306692	306692
8-P	Lighter Tube (MV Units Only)	062996	062996	062996	062996
9-P	Pilot Tube	004078F	004078F	004078F	004078F
10-P	Hi Tension Wire IID with Pilot Electrode	N/A	N/A	N/A	N/A
11-P	Pilot Shield	010351F	010351F	010351F	010351F
<b>R</b>					
<b>REFRACTORY</b>					
1-R	Refractory Common Lt & Rt	010088F	010088F	010088F	010088F
2-R	Refractory Uncommon (Front & Rear)	010089F	010090F	010091F	010092F
3-R	Refractory Retainer Kit	010387F	010388F	010389F	010390F
<b>S</b>					
<b>SHEET METAL</b>					
1-S	Jacket Top (Louvered)	010047F	010048F	010049F	010050F
2-S	Flue Collector (Units with Polymer Header)	010071F	010072F	010073F	010074F
	Flue Collector (Units with Metal Header)	010075F	010076F	010077F	010078F
3-S	Door Assy				
	Raypak				
	Cool Dark & Warm Dark Gray	013859F	013860F	013861F	013862F
	Green	010378F	010379F	010380F	010381F
	Rheem				
	Cool Dark & Warm Dark Gray	013863F	013864F	013865F	013866F
	Green	010382F	010383F	010384F	010385F
	Ruud				
	Cool Dark & Warm Dark Gray (Units mfd after 9/2012)	013859F	013860F	013861F	013862F
	Warm Dark Gray (Units manufactured prior to 9/2012)	013867F	013868F	013869F	013870F
	Green	010382F	010383F	010384F	010385F
	Jacuzzi	N/A	016698F	N/A	016699F
14-S	Screw & Retainer	006744F	006744F	006744F	006744F
4-S	Access Panel Set (3 Pcs Units with Polymer Header)	010311F	010311F	010311F	010311F
	Access Panel Set - ASME				
	Access Panel Set (3 Pcs. for BR Header) - from 12/2019	017967F	017967F	017967F	017967F
	Access Panel Set (3 Pcs. for CI Header) - prior to 12/2019	010312F	010312F	010312F	010312F
5-S	Jacket Side Panel Right	010376F	010376F	010376F	010376F
6-S	Jacket Side Panel Left	010377F	010377F	010377F	010377F
7-S	Jacket Rear Panel (2 Pcs.)	010372F	010373F	010374F	010375F
8-S	Poolstat Cover/Lock	009505	009505	009505	009505
9-S	High Limit Cover - prior to 12/2019	010319F	010319F	010319F	010319F
10-S	Base Heat Shield - prior to 10/2019	010320F	010320F	010320F	010320F
11-S	Up Front Control Panel				
	Green	010321F	010322F	010323F	010324F
	Cool Dark Gray	013887F	013888F	013889F	013890F
	Warm Dark Gray	013891F	013892F	013893F	013894F
12-S	High Limit Shield	010342F	010342F	010342F	010342F
13-S	Weather Shield	010325F	010326F	010327F	010328F
<b>V</b>					
<b>VENTING</b>					
1-V	Indoor Stack Kit (Includes inner adapter panel)	009838	009839	009840	009841
	Outdoor Stack Kit (Includes inner adapter panel)	009834	009835	009836	009837
2-V	Stack Adapter	010330F	010331F	010332F	010333F
4-V	Outer Stack Adapter	011461F	011462F	011463F	011464F
3-V	"Pagoda" Top				
	Cool Dark Gray	013883F	013884F	013885F	013886F
	Green	010334	010335	010336	010337
<b>Atmospheric CONVERSION KITS*</b>					
Gas Conversions					
	Nat. to Pro. MV Pilot	004690B	004690B	004692B	004692B
	Pro. to Nat. MV Pilot	010419F	010419F	010420F	010420F
	Nat. to Pro. IID Pilot	**	**	**	**
	Pro. to Nat. IID Pilot	**	**	**	**

\* Gas conversions are to be done only by a qualified agency.

\*\* Conversion must be made with complete burner tray and gas valve (see item 1-B).



APPROVED

# MANUEL D'INSTALLATION ET D'UTILISATION

## Chauffe-piscine et spa au gaz



Modèles atmosphériques à  
échangeur en bronze (ASME) et polymère:  
206A, 266, 266A, 336A, 399 et 406A



Modèles BR seulement

**⚠ AVERTISSEMENT:** Tout manquement aux présentes directives peut causer un incendie ou une explosion entraînant des dommages matériels, des blessures ou la mort.

- Ne pas entreposer ni utiliser de l'essence ou d'autres liquides ou vapeurs inflammables à proximité de cet appareil ou de tout autre appareil. Le non-respect de cette directive peut causer un incendie ou une explosion.
- **SI VOUS DÉTECTEZ UNE ODEUR DE GAZ**
  - Ne mettez aucun appareil en marche.
  - Ne touchez à aucun interrupteur électrique; n'utilisez aucun téléphone dans votre bâtiment.
  - Déplacez-vous immédiatement chez un voisin, d'où vous appellerez votre distributeur de gaz; et suivez ses directives.
  - Si vous ne pouvez communiquer avec votre distributeur de gaz, appelez le Service des incendies.
- L'installation et la réparation de cet appareil doivent être effectuées par un installateur qualifié, un centre de service licencié ou le fournisseur de service du gaz.

Ce manuel doit rester lisible et être rangé à proximité de l'appareil ou dans un lieu sûr pour une utilisation ultérieure.

P/N 241236 Rev. 41

# GUIDE SIMPLIFIÉ

## DISTANCES DE DÉGAGEMENT

- Espace requis: voir **page 12**.
- Dégagements minimum et d'entretien: voir tableau à la **page 7**. À noter: les codes locaux ont priorité.

## ALIMENTATION EN EAU

- Soupape de surpression: voir **page 20** pour son orientation recommandée.
- Débits: voir **page 17**.

## GAZ

- Distance du régulateur (longueurs de tuyau) et diamètres: voir **page 17**.
- Pression requise gaz naturel:  
min. = 6 po c.e.; max. = 10,5 po c.e.
- Pression requise propane:  
min. = 12 po c.e.; max. = 13 po c.e.
- Un collecteur de sédiments est requis pour toutes les installations.  
Voir **page 15**.

## PARAMÈTRES D'EAU

- Composition chimique de l'eau: voir **page 5**.

## ALIMENTATION ÉLECTRIQUE

- Tension d'alimentation: voir **page 23** pour tensions admissibles.

## VENTILATION

- Matériaux admissibles: voir **pages 2 et 2**.
- Kit d'évacuation forcée (PV) D-2: voir **page 14**.
- Évacuation, intérieur: voir **page 2**.

## MODULE DE COMMANDE

- Schémas de câblage: voir **pages 24 et 25**.
- Interface-utilisateur: voir **pages 26 et 2**.
- Thermostat externe: voir **page 30**.

---

### La révision 41 comprend les changements suivants:

Mise à jour des deux logos CSA de la page couverture. Ajout de l'avis « Recommandation » dans la section Installation. Tableau Q: ajout de « est ouvert » pour limiteurs de température. Ajout d'une nouvelle section « Déclenchement limiteur de température » et de la Figure 51 à la section « Statuts et diagnostics ». Ajout d'un kit de réparation supplémentaire à la section « Harmoniques et scintillement » du tableau de dépannage. IPL: retrait de « Appareils fabriqués à partir de 12/2019 » de l'article « 6-M »; retrait de l'option « Soupape de surpression 125 PSI ».

## TABLEAU DES MATIÈRES

<b>1. AVERTISSEMENTS .....</b>	<b>4</b>	<b>6. SCHÉMA DE CÂBLAGE - MILLIVOLT .....</b>	<b>24</b>
Portez une attention particulière aux termes suivants .....	4	<b>7. SCHÉMA DE CÂBLAGE - NUMÉRIQUE.....</b>	<b>25</b>
<b>2. PARAMÈTRES D'EAU .....</b>	<b>5</b>	<b>8. MODULE DE COMMANDE .....</b>	<b>26</b>
Chlorateurs et dispositifs d'alimentation automatique .....	6	Retrait du panneau de commande.....	26
<b>3. AVANT L'INSTALLATION.....</b>	<b>6</b>	Réglage de la vanne de gaz - Modèles millivolt....	26
Réception de l'équipement.....	6	Réglage de la vanne de gaz - Modèles numériques .....	27
Homologations et certifications .....	6	Fonctionnement .....	27
Altitude .....	6	Statut et diagnostics.....	29
Température de l'air ambiant.....	6	Câblage thermostat externe - modèles numériques.....	30
<b>4. INSTALLATION.....</b>	<b>7</b>	<b>9. INSTRUCTIONS D'UTILISATION.....</b>	<b>36</b>
Codes d'installation .....	7	Avant la mise en marche.....	36
Dégagements.....	7	Procédure de mise en marche .....	36
Installation extérieure .....	8	Inspection visuelle.....	36
Air comburant et de ventilation.....	11	Détecteur de pression d'eau .....	36
Conduit d'évacuation.....	14	<b>10. MAINTENANCE ET ENTRETIEN .....</b>	<b>39</b>
Kit d'évacuation forcée (PV) D-2.....	14	Utilisation par temps froid.....	39
Raccordement du gaz .....	15	<b>11. DÉPANNAGE .....</b>	<b>40</b>
Débits .....	17	Modèle millivolt - Organigramme de dépannage ..	42
Assemblage ProTek Shield .....	18	Modèle numérique - Organigramme de dépannage .....	43
Régulateur Unitherm .....	19	Organigramme de la logique de contrôle - Numérique.....	44
Vanne de dérivation automatique interne.....	19	<b>12. PIÈCES DE RECHANGE .....</b>	<b>45</b>
Vanne de dérivation auxiliaire externe .....	19	<b>13. ILLUSTRATION DES PIÈCES .....</b>	<b>46</b>
Réglage de la vanne de dérivation auxiliaire .....	20		
Installation de la soupape de surpression.....	20		
Inversion de l'échangeur de chaleur .....	20		
Schémas de plomberie .....	21		
<b>5. CÂBLAGE ÉLECTRIQUE.....</b>	<b>22</b>		
Modèles millivolt (suffixe « M »).....	22		
Modèles numériques (suffixe « E »).....	22		
Capacité électrique requise.....	23		
Câblage du transformateur .....	23		

# 1. AVERTISSEMENTS

## Portez une attention particulière aux termes suivants

<b>⚠ DANGER</b>	Signale la présence de dangers immédiats qui causeront d'importants dommages matériels, de graves blessures ou la mort s'ils sont ignorés.
<b>⚠ AVERTISSEMENT</b>	Décrit des risques ou des pratiques non sécuritaires qui causeront d'importants dommages matériels, de graves blessures ou la mort s'ils sont ignorés.
<b>⚠ ATTENTION</b>	Décrit des risques ou des pratiques non sécuritaires qui causeront des dommages matériels, des blessures mineures ou endommageront le produit s'ils sont ignorés.
<b>ATTENTION</b>	ATTENTION utilisé sans le symbole d'alerte décrit une condition potentiellement dangereuse qui pourrait causer des dommages matériels, des blessures mineures ou endommager le produit si elle est ignorée.
<b>NOTE</b>	Décrit d'importantes instructions spéciales relatives à l'installation, l'utilisation ou l'entretien, mais qui ne risquent pas de causer de blessures.

**⚠ DANGER:** le défaut d'installer le coupe-tirage dans une installation intérieure et de correctement acheminer les gaz de combustion à l'extérieur du bâtiment comme indiqué dans la section Ventilation du présent manuel d'instructions d'installation peut entraîner un fonctionnement non sécuritaire. Afin d'éviter les risques d'incendie, d'explosion ou d'asphyxie des occupants au monoxyde de carbone, ne faites jamais fonctionner l'appareil s'il n'est pas correctement ventilé et s'il ne dispose pas d'un apport d'air adéquat assurant son bon fonctionnement. Inspectez le système de ventilation afin de confirmer sa bonne installation, lors de la mise en service et annuellement par la suite. Reportez-vous à la section "Ventilation" du présent manuel pour plus d'information relative à l'inspection du système de ventilation.

**⚠ AVERTISSEMENT:** afin de minimiser les risques de dysfonctionnement, de graves blessures, d'incendie ou d'endommagement de la chaudière:

- Gardez les environs de l'appareil libre de toute matière combustible, d'essence, de tout autre liquide ou vapeurs inflammables.
- L'appareil ne doit jamais être couvert et il ne faut jamais restreindre son apport d'air frais.

**⚠ AVERTISSEMENT:** la chambre de combustion de cet appareil est isolée avec de la fibre céramique réfractaire. Cette fibre ne contient pas de silice cristalline inhalable. Cependant, une exposition prolongée de cette fibre à des températures très élevées [plus de 2192°F (1200°C)] peut la transformer en silice cristalline (cristaboliite). Le Centre international de recherche sur le cancer (CIRC) estime que l'inhalation de silice cristalline (cristaboliite) est cancérogène pour l'homme.

Lors du retrait du brûleur ou de l'échangeur de chaleur, évitez de soulever de la poussière et d'inhaler d'éventuelles fibres en suspension dans l'air. Pour balayer un dégât, utilisez un balai humide ou un aspirateur muni d'un filtre à haute efficacité (HEPA) pour minimiser la mise en suspension de poussière dans l'air. Utilisez des techniques de contrôle de la poussière, comme l'utilisation d'un ventilateur d'extraction dans la pièce ou d'un système de collecte de la poussière pour minimiser la mise en suspension de poussière. Portez un équipement de protection individuelle approprié, y compris des gants, des lunettes de sécurité à protecteurs latéraux et une protection respiratoire certifiée NIOSH appropriée, afin d'éviter l'inhalation de poussière et de particules de fibres en suspension dans l'air.

**⚠ AVERTISSEMENT:** une installation, un réglage, une modification ou un entretien inadéquat peut causer des dommages matériels, des blessures ou la mort. L'installation et la réparation de cet appareil doivent être effectuées par un installateur qualifié, un centre de service licencié ou le fournisseur de service du gaz.

**⚠ AVERTISSEMENT:** la manutention d'essence ou de tout autre produit ou liquide inflammable (adhésifs, solvants, diluant, etc.), ou leurs dégagements de vapeurs inflammables sont extrêmement dangereux. **NE PAS** utiliser ou entreposer d'essence ni aucune autre matière inflammable ou combustible à proximité de l'appareil.

**⚠ AVERTISSEMENT:** une substance odoriférante est ajoutée au gaz naturel et au propane afin de faciliter la détection d'une éventuelle fuite. Certaines personnes ne reconnaissent pas cette odeur ou leur odorat ne fonctionne pas. Si cette odeur ne vous est pas familière, veuillez consulter votre fournisseur de gaz. En certaines circonstances cette odeur peut perdre son intensité, ce qui rend plus difficile la détection d'une fuite de gaz.

**⚠ AVERTISSEMENT:** il est recommandé d'installer un avertisseur de gaz naturel ou de propane homologué UL dans les lieux où une concentration explosive de gaz pourrait s'accumuler; veuillez l'installer en conformité avec les recommandations de leur fabricant et les exigences de la réglementation locale.

**⚠ AVERTISSEMENT:** ne pas installer à moins de 3 pieds (0,9 m) d'une pompe à chaleur ou d'une unité de condensation extérieure. Ce type d'équipement peut tirer un fort débit d'air et perturber la combustion dans l'appareil, ce qui pourrait causer des dommages ou des blessures.

**⚠ AVERTISSEMENT:** l'appareil ne doit pas être installé dans un lieu où des gicleurs ou d'autres dispositifs peuvent pulvériser de l'eau à travers les grilles à lattes et dans l'appareil. Cela pourrait entraîner la formation de corrosion ou endommager les composants électriques, causant ainsi des dommages non couverts par la garantie.



## 2. PARAMÈTRES D'EAU

**⚠ ATTENTION:** de l'eau chauffée constitue une source de danger. La Commission américaine sur la sécurité des produits de consommation (CPSC) émet les directives suivantes:

1. La température de l'eau d'un spa ne doit jamais dépasser 40°C (104°F). Une température de 38°C (100 °F) est considérée sécuritaire pour un adulte en bonne santé. Portez une attention particulière aux jeunes enfants.
2. La consommation de boissons alcoolisées avant ou pendant l'utilisation d'un spa peut entraîner de la somnolence qui pourrait causer une perte de conscience et par la suite une noyade.
3. **Avis aux femmes enceintes!** L'immersion dans de l'eau chauffée à plus de 39°C (102°F) peut causer des lésions foetales pendant les trois premiers mois de la grossesse, comme des dommages cérébraux ou des difformités physiques. Les femmes enceintes ne devraient pas s'immerger dans de l'eau chauffée à plus de 38°C (100°F).
4. Avant d'entrer dans un spa, chaque utilisateur doit vérifier la température de l'eau à l'aide d'un thermomètre précis; la température indiquée par le thermostat d'un spa peut varier de jusqu'à 2,2°C (4°F) de la valeur réelle.
5. Les personnes ayant les antécédents médicaux suivants: maladies cardiaques, problèmes circulatoires, diabète ou haute tension artérielle doivent obtenir l'avis d'un médecin avant d'utiliser une piscine ou un spa.
6. Les personnes qui consomment des médicaments qui induisent la somnolence, comme des tranquillisants, antihistaminiques ou anticoagulants, ne devraient pas se baigner dans un spa.

**⚠ ATTENTION:** le gaz propane est plus lourd que l'air et peut aisément s'accumuler à proximité du sol. Comme le propane peut s'accumuler dans un espace confiné, il faut faire preuve de prudence lors de l'allumage d'un appareil au propane.

**NOTE:** il est recommandé de laisser la pompe tourner pendant au moins 5 minutes après que l'appareil se soit éteint. Cela permet de dissiper la chaleur résiduelle de l'échangeur de chaleur, ce qui prévient le déclenchement intempestif d'un limiteur de température à la suite de l'arrêt de l'appareil.

**AVERTISSEMENT:** risque d'incendie. Il est recommandé d'installer un avertisseur de CO et d'incendie dans une pièce contenant des appareils à gaz.

**NOTE:** les dommages causés par une mauvaise composition chimique de l'eau ne sont pas couverts par la garantie.

Un déséquilibre chimique peut gravement endommager la thermopompe et tout équipement qui y est raccordé. Maintenez les paramètres d'eau comme décrit au **Tableau A**. Si les teneurs en minéraux et en solides dissous dans l'eau sont supérieures aux valeurs recommandées, il se formera du tartre dans les tubes de l'échangeur de chaleur, cela réduira son efficacité et à terme, l'endommagera. Si le pH de l'eau est inférieur à 7,2, cela entraînera la corrosion de l'échangeur de chaleur, ce qui l'endommagera gravement. **Les dommages causés à l'échangeur de chaleur résultant d'un déséquilibre chimique ne sont pas couverts par la garantie.**

Pour votre santé et la protection de l'équipement de votre piscine, il est essentiel que votre eau soit chimiquement équilibrée. Voici les valeurs correspondant à une eau équilibrée.

**⚠ ATTENTION:** la concentration de chlore libre ne peut être supérieure à 5 ppm, car cela peut causer des dommages non couverts par la garantie.

- L'administration d'un traitement-choc occasionnel à l'eau de la piscine ou du spa ne devrait pas endommager la thermopompe lorsque la composition chimique de l'eau est équilibrée.
- Les distributeurs automatiques de produits chimiques et les chlorateurs au sel sont généralement plus efficaces dans l'eau chauffée; ils doivent être bien réglés car une concentration excessive de chlore qui peut endommager l'appareil.
- Un clapet anti-retour doit être installé entre la sortie de l'appareil et un chlorateur ou tout autre distributeur de produits chimiques.
- Veuillez obtenir des conseils supplémentaires auprès du fabricant de votre piscine ou spa, d'un détaillant autorisé de piscines ou du fabricant des produits chimiques pour connaître les valeurs d'équilibre de votre eau.

Valeur recommandée	Piscine fibre verre	Spa fibre de verre	Autres pisc./spas
Température	20-31°C (68-88°F)	31-40°C (89-104°F)	20-40°C (68-104°F)
pH	7,3-7,4	7,3-7,4	7,6-7,8
Alcalinité totale (ppm)	120-150	120-150	80-120
Dureté calcaire (ppm)	200-300	150-200	200-400
Sel (ppm)	4500 max.	4500 max.	4500 max.
Chlore libre (ppm)*	2-3	2-3	2-3
Matières tot. dissoutes (ppm)	3000 max.**	3000 max.**	3000 max.**

\*La concentration de chlore libre **NE DOIT PAS EXCÉDER 5 ppm!**

\*\*Dans les piscines chlorées au sel, la TDS peut atteindre 6000 ppm.

## Chlorateurs et autres distributeurs automatiques

Les produits chimiques doivent être entièrement dilués avant d'être recirculés dans l'appareil. Ne versez jamais de produits chimiques désinfectants dans l'écumoire, car cela peut entraîner la formation d'une concentration élevée de produits chimiques lorsque la pompe ne fonctionne pas (ex.: la nuit).

Le chlorateur doit se déverser en aval de la thermopompe et doit être muni d'un dispositif anti-siphonnage, afin de prévenir le refoulement de produits chimiques vers la thermopompe lors de l'arrêt de la pompe.

Voir "Schéma de plomberie", page 21.

**NOTE:** la présence d'une concentration élevée de produits chimiques, notamment causée par le dérèglement d'un distributeur automatique, entraînera une corrosion rapide de l'échangeur de chaleur. Ces dommages ne sont pas couverts par la garantie.

## 3. AVANT L'INSTALLATION

### Réception de l'équipement

Le fabricant recommande fortement de lire attentivement ce manuel avant d'entreprendre l'installation de l'appareil. Pour toute question sans réponse dans le manuel, veuillez joindre le fabricant ou votre représentant local.

À la réception de l'appareil, inspectez la caisse d'expédition afin de détecter d'éventuels dommages. Si la caisse est endommagée, ajoutez une note à cet effet sur le connaissance, avant de signer le bon de réception. Retirez l'appareil de la caisse. Signalez immédiatement tout dommage au transporteur. Conservez la caisse.

Articles dans la caisse d'expédition de l'appareil:

#### Modèles standard (distributeur en polymère)

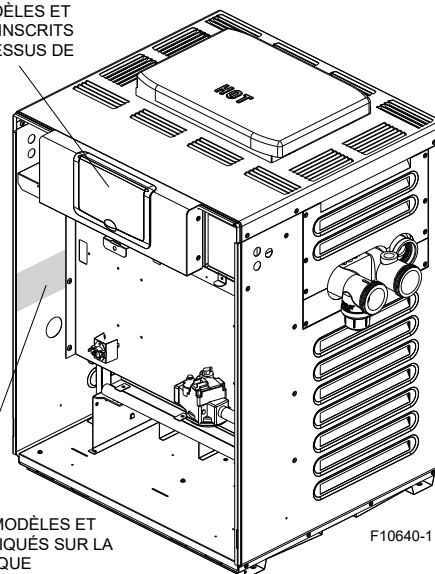
1. Couvercle extérieur
2. Raccord-union CPVC 2" et 2 joints toriques
3. Bride de finition en plastique pour conduite de gaz
4. Cosse de continuité des masses avec vis de retenue (modèles numériques)

#### Modèles ASME (distributeur en bronze)

1. Couvercle extérieur
2. Raccord-union CPVC 2" et 2 joints toriques
3. Bride de finition en plastique pour conduite de gaz
4. Cosse de continuité des masses avec vis de retenue (modèles numériques)
5. Soupape de surpression
6. Adaptateur et assemblage Protek Shield™ (y compris joint torique et écrou à oreilles)

### APPROVED

LES NUMÉROS DE MODÈLES ET DE SÉRIE SONT AUSSI INSCRITS SUR LE BOÎTIER, AU-DESSUS DE L'AFFICHEUR



LES NUMÉROS DE MODÈLES ET DE SÉRIE SONT INDIQUÉS SUR LA PLAQUE SIGNALÉTIQUE

F10640-1

Figure 1. Plaque signalétique

Assurez-vous de recevoir le bon nombre de colis, tel qu'indiqué sur le connaissance.

### Homologations et certifications

Ces appareils sont conçus et testés selon les plus récentes exigences de la norme ANSI Z21.56/ CSA 4.7 pour les chauffe-piscine à gaz. Cet appareil peut être utilisé à l'extérieur ou à l'intérieur lorsqu'il est ventilé de manière appropriée. Il faut notamment installer le couvercle d'évacuation convenant au type d'installation. Si l'appareil est déplacé d'un lieu d'installation intérieur à extérieur (ou vice versa), installez le couvercle d'évacuation approprié.

Les modèles à distributeur en bronze sont équipés d'un échangeur de chaleur certifié ASME (code BPV, section IV, partie HLW) et sont enregistrés au National Board.

### Altitude d'installation

Les valeurs nominales restent les mêmes jusqu'à une altitude de 2 000 pi (610 m). Pour une altitude supérieure à 2 000 pi (610 m), la puissance d'entrée est réduite de 4% par tranche de 1 000 pi (305 m).

### Température de l'air ambiant

#### pour divers composants désignés

Commande du gaz millivolt de Honeywell: 32 à 175°F (0 à 79°C)

Commande du gaz millivolt de Robertshaw: 32 à 175°F (0 à 79°C)

Commande à allumage électronique\*: -32 à 175°F (-35 à 79°C)

\*Nécessite une alimentation 120 ou 240 VCA, 1 pH, 60 Hz

## 4. INSTRUCTIONS

**⚠ AVERTISSEMENT:** la chambre de combustion de cet appareil est isolée avec de la fibre céramique réfractaire. Cette fibre ne contient pas de silice cristalline inhalable. Cependant, une exposition prolongée de cette fibre à des températures très élevées [plus de 2192°F (1200°C)] peut la transformer en silice cristalline (cristabolite). Le Centre international de recherche sur le cancer (CIRC) estime que l'inhalation de silice cristalline (cristabolite) est cancérigène pour l'homme.

Lors du retrait du brûleur ou de l'échangeur de chaleur, évitez de soulever de la poussière et d'inhaler d'éventuelles fibres en suspension dans l'air. Pour balayer un dégât, utilisez un balai humide ou un aspirateur muni d'un filtre à haute efficacité (HEPA) pour minimiser la mise en suspension de poussière dans l'air. Utilisez des techniques de contrôle de la poussière, comme l'utilisation d'un ventilateur d'extraction dans la pièce ou d'un système de collecte de la poussière pour minimiser la mise en suspension de poussière. Portez un équipement de protection individuelle approprié, y compris des gants, des lunettes de sécurité à protecteurs latéraux et une protection respiratoire certifiée NIOSH appropriée, afin d'éviter l'inhalation de poussière et de particules de fibres en suspension dans l'air.

**NOTE IMPORTANTE:** les présentes instructions sont destinées à des personnes qualifiées, spécialement formées et expérimentées dans l'installation et l'entretien de ce type d'appareil et de ses composants connexes. Dans certaines régions, les techniciens d'entretien pour ce type d'équipement doivent détenir une licence. Si c'est le cas dans votre région, assurez-vous que votre entrepreneur détient la licence appropriée. Les personnes non qualifiées ne doivent pas tenter de réparer l'appareil ni d'effectuer les réparations décrites au présent manuel.

**⚠ AVERTISSEMENT:** une installation, un réglage, une altération, un entretien ou une maintenance inappropriés peuvent endommager l'équipement et créer un risque pouvant causer une asphyxie, une explosion ou un incendie. Ces dommages ne sont pas couverts par la garantie.

**ATTENTION:** cet appareil ne doit pas être installé à un endroit où une éventuelle fuite d'eau ne causera pas de dégâts d'eau. Lorsqu'il n'est pas possible de choisir un tel emplacement, il est recommandé d'installer sous l'appareil un bac d'égouttement approprié doté d'une capacité de drainage suffisante. Ce bac ne doit pas limiter l'apport d'air comburant.

**RECOMMANDATION:** recommande d'installer ces appareils à l'intérieur dans une région où il peut neiger.

## Codes d'installation

L'installation doit être conforme aux exigences des codes locaux ou, en l'absence de codes locaux, à la plus récente édition du National Fuel Gas Code, ANSI Z223.1/NFPA54 et du National Electrical Code, ANSI/NFPA 70, et au Canada, à la plus récente édition des Codes d'installation CSA-B149 et du Code canadien de l'électricité, CSA C22 .1, parties 1 et 2.

## Dégagements

### Tous les modèles

Pour les dégagements aux surfaces combustibles, à l'intérieur comme à l'extérieur, voir le tableau ci-dessous.

Partie	Installation intérieure
Dessus *	Coupe-tirage: 30" (762 mm)
Avant	Alcôve (ouvert)
Conduit évac.	6" (152 mm)
Plancher **	0" (0 mm)
Arrière	6" (152 mm)
Côté droit	Raccord d'eau: 12" (305 mm)
Côté gauche	Opposé raccords d'eau: 6" (152 mm)

Partie	Installation extérieure
Dessus *	Sans obstruction (extérieur)
Dessus **	Sans cheminée: 36" (914 mm)
Plancher	0 po (0 mm)
Arrière	6" (152 mm)
Côté droit	Raccord d'eau: 12" (305 mm)
Côté gauche	Opposé raccords d'eau: 6" (152 mm)

\* Dégagement depuis le haut de la terminaison d'évacuation

\*\* Ne pas installer sur une surface tapissée

\*\*\* Dégagement au-dessus de l'appareil

Tableau B. Dégagements minimum aux matières combustibles

**APPROVED**

Lorsque cet appareil est installés conformément aux dégagements minimums aux matériaux combustible, ils peut être entretenu sans qu'il ne soit requis de déplacer toute structure l'entourant.

Cependant, pour faciliter l'entretien, nous recommandons un dégagement d'au moins 24 po (610 mm) à l'avant et d'au moins 18 po (457 mm) du côté des raccords d'eau. Cela permettra d'entretenir l'appareil sans qu'il ne soit nécessaire de le déplacer ni de la désinstaller.

Description	Partie	Distance po (mm)
a. Murs de maçonnerie de 89 mm (3-1/2 po) d'épaisseur avec ventilation	Arrière	9 (229)
	Droite	9 (229)
	Gauche	9 (229)
	Conduit évac.	5 (127)
	Dessus (int.)	39 (991)
	Dessus (ext.)	Dégagé
b. Panneau isolant de 1/2" (13 mm) sur 1" (25 mm) d'isolant en fibres de verre ou laine minérale	Arrière	6 (152)
	Droite	6 (152)
	Gauche	6 (152)
	Conduit évac.	3 (76)
	Dessus (int.)	30 (762)
	Dessus (ext.)	Dégagé
c. Feuille métallique 0,024" sur 1" (25 mm) d'isolant en fibres de verre ou laine minérale avec ventilation	Arrière	4 (102)
	Droite	4 (102)
	Gauche	4 (102)
	Conduit évac.	3 (76)
	Dessus (int.)	24 (610)
	Dessus (ext.)	Dégagé
d. Murs de maçonnerie de 89 mm (3-1/2 po) d'épaisseur avec ventilation	Arrière	6 (152)
	Droite	6 (152)
	Gauche	6 (152)
	Conduit évac.	6 (152)
	Dessus (int.)	39 (991)
	Dessus (ext.)	Dégagé
e. Feuille métallique 0,024" d'épaisseur avec ventilation	Arrière	4 (102)
	Droite	4 (102)
	Gauche	4 (102)
	Conduit évac.	2 (51)
	Dessus (int.)	24 (610)
	Dessus (ext.)	Dégagé
f. Panneau isolant de 13 mm (1/2 po) d'épaisseur avec ventilation	Arrière	4 (102)
	Droite	4 (102)
	Gauche	4 (102)
	Conduit évac.	3 (76)
	Dessus (int.)	24 (610)
	Dessus (ext.)	Dégagé
g. Feuille métallique 0,024" d'épaisseur avec ventilation sur feuille métallique 0,024" d'épaisseur avec ventilation.	Arrière	4 (102)
	Droite	4 (102)
	Gauche	4 (102)
	Conduit évac.	3 (76)
	Dessus (int.)	24 (610)
	Dessus (ext.)	Dégagé
h. 25 mm (1 po) de fibres de verre ou de laine minérale entre deux feuilles de tôle 0,024 avec ventilation	Arrière	4 (102)
	Droite	4 (102)
	Gauche	4 (102)
	Conduit évac.	3 (76)
	Dessus (int.)	24 (610)
	Dessus (ext.)	Dégagé

Tiré du National Fuel Gas Code, Tableau 10.2.3

**Tableau C. Réduction des dégagements par rapport aux surfaces protégées**

Une installation avec des dégagements d'entretien inférieurs au minimum pourrait forcer la désinstallation de l'appareil lors d'un entretien de l'échangeur de chaleur ou du brûleur. De plus, l'appareil doit être installé de manière à permettre son entretien sans qu'il ne soit nécessaire de déplacer d'autres appareils installés à proximité.

**Revêtement de sol**

Cet appareil peut être installé sur un plancher combustible. Les distances de dégagement prescrites peuvent être réduites en protégeant les surfaces combustibles exposées, comme illustré à la section **Tableau C**.

**Installation extérieure**

Ces appareils de chauffage sont conçus et certifiés pour une installation extérieure, lorsqu'ils sont équipés du couvercle d'évacuation désigné pour une utilisation extérieure.

**⚠ AVERTISSEMENT:** l'appareil ne doit pas être installé dans un lieu où des gicleurs ou d'autres dispositifs peuvent pulvériser de l'eau à travers les grilles à lattes et dans l'appareil. Cela pourrait entraîner la formation de corrosion ou endommager les composants électriques, causant ainsi des dommages non couverts par la garantie.

**⚠ AVERTISSEMENT:** ne pas installer à moins de 3 pieds (0,9 m) d'une pompe à chaleur ou d'une unité de condensation extérieure. Ce type d'équipement peut tirer un fort débit d'air et perturber la combustion dans ces appareils, ce qui pourrait causer des dommages ou des blessures.

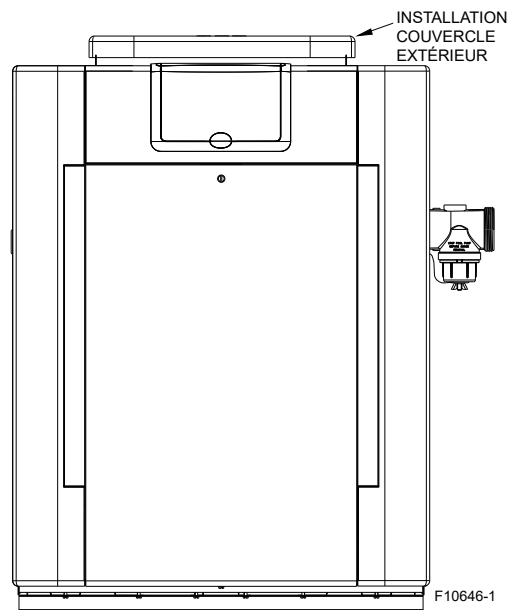
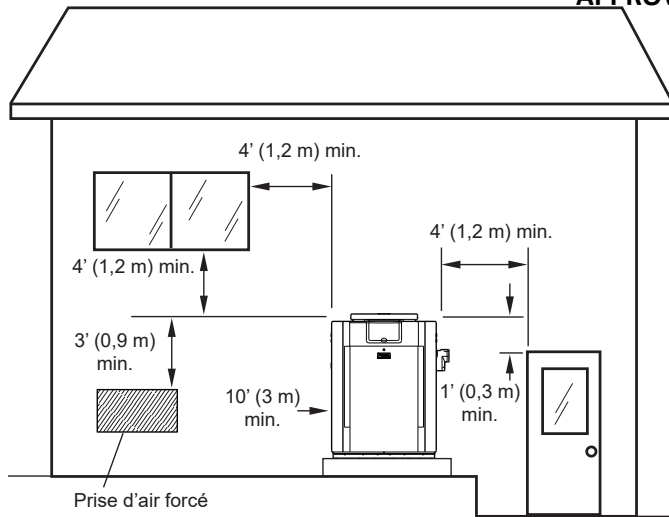


Figure 2. Installation extérieure sans cheminée



**Figure 3. Distances minimales entre les ouvertures du bâtiment et la terminaison d'évacuation**

L'appareil ne doit pas être installé sous un surplomb de toit situé à moins de 3 pi (0,9 m) du haut de l'appareil. Sous un surplomb de toit, l'appareil doit être exposé sur trois de ses côtés. L'appareil doit être protégé contre toute eau pouvant s'écouler du toit, grâce à des gouttières.

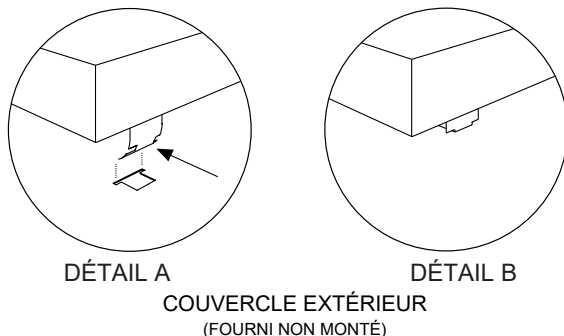
**Installation aux États-Unis:** le point d'où les produits de combustion sont évacués de l'appareil doit se trouver à au moins 4 pi (1,2 m) au-dessous, 4 pi (1,2 m) horizontalement ou de 1 pi (0,3 m) au-dessus d'une porte, d'une fenêtre ou d'une ouverture d'air gravitaire d'un bâtiment. La surface supérieure de l'appareil doit se trouver à au moins 3 pi (0,9 m) au-dessus de toute entrée d'air forcée ou de conduits d'admission situés à moins de 10 pi (3 m) horizontalement.

**Installation au Canada:** l'appareil ne doit pas être installé de façon à ce que la partie supérieure du conduit d'évacuation se trouve à moins de 10 pi (3 m) au-dessous, ou de chaque côté, d'une ouverture d'un bâtiment. Reportez-vous à la plus récente édition de la norme CAN/CSA-B149.

Un minimum de 6 pi (1,8 m) est requis entre l'appareil et l'angle entrant d'un mur.

### Installation du couvercle extérieur

1. Insérez les onglets dans les fentes correspondantes (4 endroits). Voir **Figure 4**, détail A.
2. Insérez les onglets de manière à ce qu'ils ne ressortent pas. Voir **Figure 4**, détail B.



DÉTAIL A

DÉTAIL B

COUVERCLE EXTÉRIEUR  
(FOURNI NON MONTÉ)

**Figure 4. Installation couvercle extérieur**

**Installation en Floride et au Texas:** doit être conforme aux exigences des codes du bâtiment de la Floride ou du Texas. Suivez les instructions de la **Figure 5** pour l'installation de supports anti-ouragan.

### Installation intérieure

Cet appareil est également certifié pour une installation intérieure lorsqu'il est équipé d'un coupe-tirage approuvé et d'un conduit d'évacuation conforme au code.

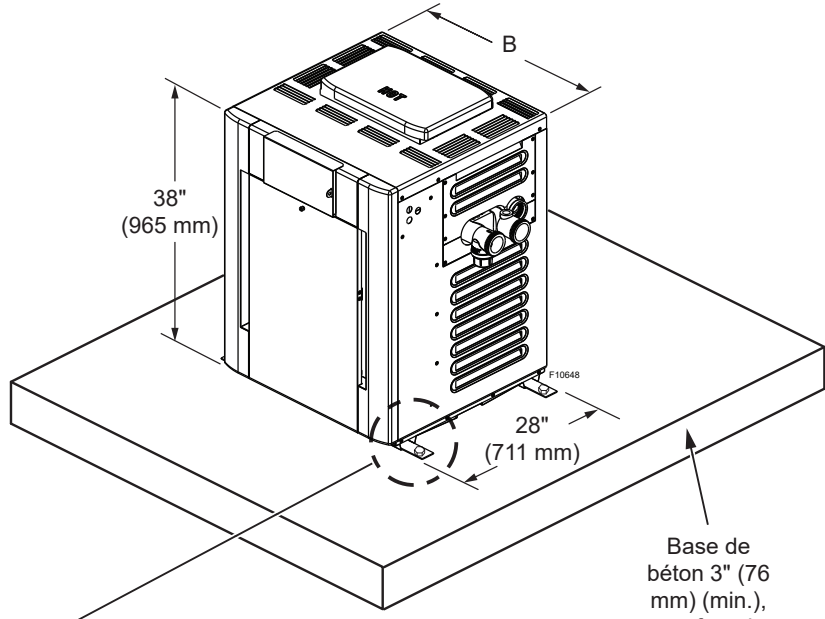
Au Canada: une installation intérieure peut uniquement être effectuée dans une enceinte inoccupée et qui ne communique pas directement avec une zone occupée. Reportez-vous à la plus récente édition de la norme CSA-B149 pour plus de détails. Positionnez l'appareil aussi près que possible d'une cheminée ou d'un conduit d'évacuation. L'appareil doit toujours être ventilé à l'extérieur du bâtiment. Voir la section **Ventilation à la p. 14** pour plus d'information. Les dégagements sont indiqués sur la plaque signalétique.

**AVERTISSEMENT:** dans le cas d'une installation intérieure, le coupe-tirage doit être raccordé à un conduit assurant l'évacuation adéquate des produits de combustion à l'extérieur du bâtiment. Le non-respect du présent avertissement peut causer un incendie ou un empoisonnement mortel au monoxyde de carbone.

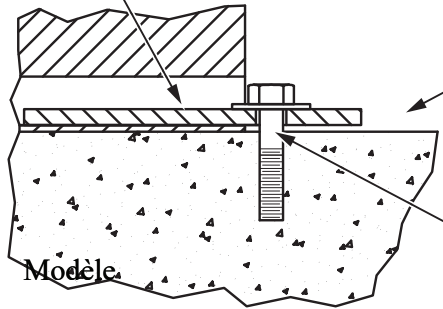
APPROVED

CODES DU BÂTIMENT DE LA FLORIDE ET DU TEXAS  
 VITESSE DU VENT = 150 MI/H, RAFALES DE 3  
 SECONDES = C

Modèle	B po (mm)
206A	20 (508)
266/266A	23 (584)
336A	26 (660)
399/406A	29 (737)



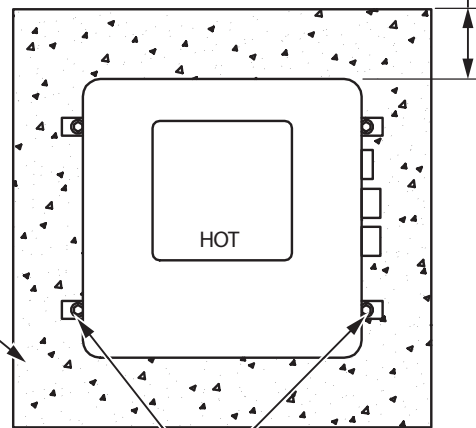
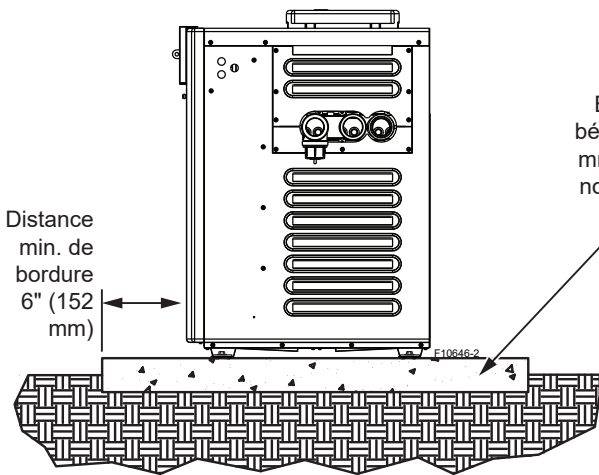
Ancrage de palette 2" x 6" x 1/8"  
 (4 au total) (Kit# 011636)



Boulon Tapcon 1/4" x 2-1/4" et rondelle en inox  
 (non fournis) NOTE: utiliser le trou le plus près de  
 l'appareil, le boulon demeurant exposé.

Base de  
 béton 3" (76  
 mm) (min.),  
 non fournie

Distance min.  
 de bordure  
 6" (152 mm)



1 boulon et rondelle Tapcon 1/4" x 2-1/4" inox,  
 chacun, non fournis, pour chaque ancrage de palette.  
 Utiliser orifice le plus près de l'appareil (4 au total)

1 boulon et rondelle Tapcon 1/4" x 2-1/4" inox,  
 chacun, non fournis, pour chaque ancrage de palette.  
 Utiliser orifice le plus près de l'appareil (4 au total)

Figure 5. Installation d'attaches anti-ouragan  
 UNCONTROLLED DOCUMENT IF PRINTED

## Kits d'évacuation extérieur et intérieur

Les kits d'évacuation extérieur et intérieur optionnels ne sont pas fournis avec l'appareil. Reportez-vous aux instructions d'installation fournies pour connaître tous les détails d'installation.

Modèle	Kit extérieur	Kit intérieur
206A	009834	009838
266/266A	009835	009839
336A	009836	009840
399/406A	009837	009841

Tableau D. N° de kit extérieur et intérieur

**KIT D'ÉVACUATION EXTÉRIEUR**

- (1) Coupe-tirage extérieur, peint
- (1) Plaque adaptatrice
- (3) Supports de montage (attaches)
- (1) Couvercle supérieur
- (2) 12 po de ruban métallique
- (3) Vis
- (1) Instructions

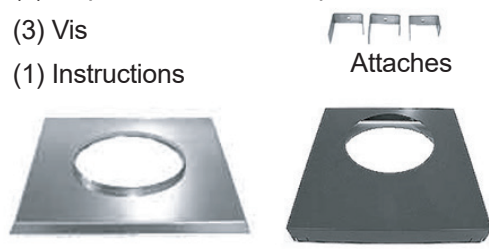


Figure 6. Composants, kit d'évacuation extérieur

**NOTE:** le kit d'évacuation extérieur ne nécessite l'ajout d'aucun composante additionnelle. Par exemple, le coupe-tirage sert aussi de terminaison d'évacuation.

**KIT D'ÉVACUATION INTÉRIEUR**

- (1) Coupe-tirage, non peint
- (1) Plaque adaptatrice
- (3) Supports de montage (attaches)
- (3) Vis
- (1) Instructions

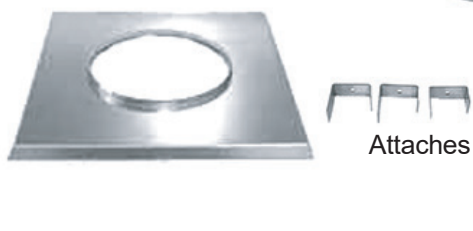


Figure 7. Composants, kit d'évacuation intérieur

**Installation intérieure seulement**

L'appareil doit être alimenté en air comburant et de ventilation. Les volumes minimaux sont décrits dans la plus récente édition du National Fuel Gas Code U.S. ANSI Z223.1 (CSA-B149 au Canada), ainsi que dans tout code local applicable. L'approche la plus courante est la méthode à "2 ouvertures"; l'ouverture d'air comburant se trouvant à au plus 12" (305 mm) du sol et l'ouverture de ventilation à moins de 12" (305 mm) du plafond. Pour connaître la taille des ouvertures pour cette méthode, voir ci-dessous.

**Air tiré de l'intérieur du bâtiment:**

Chaque ouverture doit avoir une surface nette minimale, comme indiqué:

Modèle	po <sup>2</sup> (m <sup>2</sup> )
206A	200 (0,13)
266/266A	266 (0,17)
336A	333 (0,21)
399/406A	399 (0,26)

Tableau E. Surface nette minimale des ouvertures - Air intérieur

**Air tiré de l'extérieur du bâtiment:**

Lorsque l'air est tiré directement de l'extérieur du bâtiment, chaque ouverture doit avoir une surface nette minimale comme indiqué:

Modèle	Ouverture libre po <sup>2</sup> (m <sup>2</sup> )	Ouverture grillagée ou à lattes po <sup>2</sup> (m <sup>2</sup> )	Ouverture grillagée et à lattes po <sup>2</sup> (m <sup>2</sup> )
206A	50 (0,03)	75 (0,05)	100 (0,06)
266/266A	67 (0,04)	101 (0,06)	134 (0,09)
336A	84 (0,05)	126 (0,08)	168 (0,11)
399/406A	100 (0,06)	150 (0,1)	200 (0,13)

Tableau F. Surface nette minimale des ouvertures - Air extérieur

**⚠ ATTENTION:** l'air comburant ne doit pas être contaminé par des vapeurs corrosives pouvant causer à l'appareil des dommages non couverts par la garantie.

Dimensions et poids

Ampérage	
120 VCA, 1 Ph, 60 Hz	240 VCA, 1 ph, 60 Hz
4	2

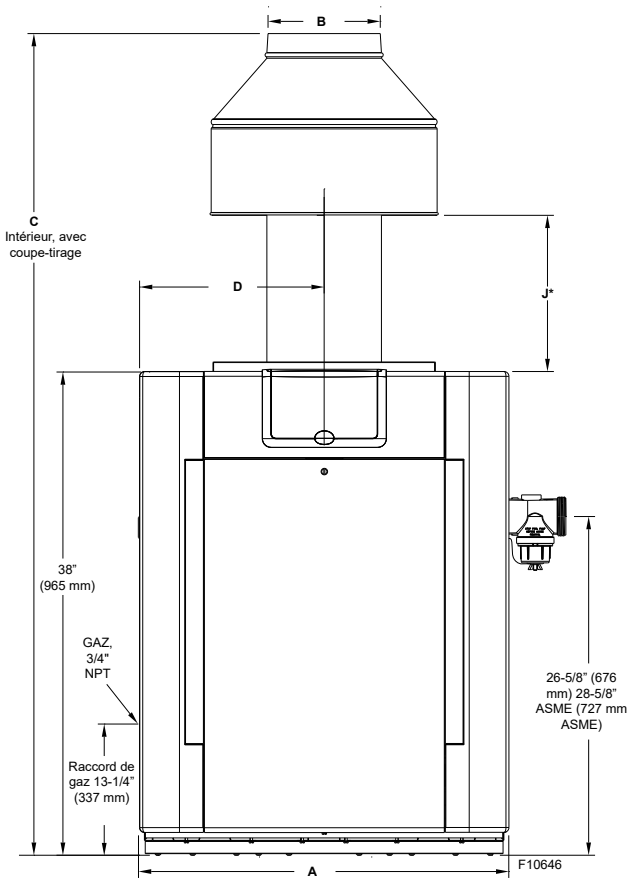


Figure 8. Vue avant

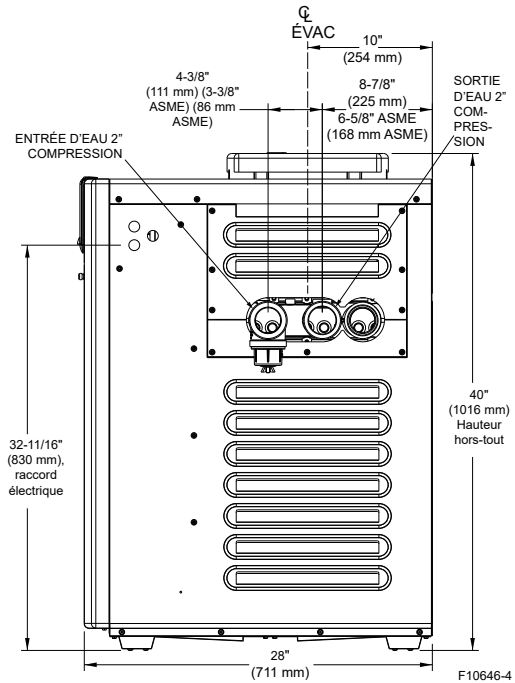


Figure 9. Vue de côté

Résidentiel - Échangeur en cuivre							Poids à l'expédition lb (kg)	
N° de modèle	Puis. BTU/h (kWh)	(A) Larg. armoire po (mm)	(B) Diam. évac. po (mm)	(C) Coupe-tirage int. po (mm)	(D) po (mm)	(J)* po (mm)	Modèle std. avec couvercle extérieur	Coupe-tirage int.
206A	199,5 (58,4)	20 (508)	6 (152)	61-5/8 (1565)	10,0 (254)	11-3/4 (298)	187 (85)	14 (6,4)
266/266A	266,0 (77,9)	23 (584)	7 (178)	62 (1575)	11,5 (292)	11 (279)	210 (95)	16 (7,3)
336A	332,5 (97,4)	26 (660)	8 (203)	63 (1600)	13 (330)	10-5/8 (270)	230 (104)	19 (8,6)
399/406A	399 (116,9)	29 (737)	9 (229)	64-9/16 (1640)	14,5 (368)	12-1/8 (309)	249 (113)	21 (9,5)

\*Note: hauteur d'une cheminée extérieure: dimension « J » plus 6 po (152 mm).

Tableau G. Résidentiel - Dimensions et poids de l'appareil, échangeur en cuivre



**APPROVED**

Résidentiel - Échangeur en cupronickel							Poids à l'exp. lb (kg)	
N° de modèle	Puis. BTU/h (kWh)	(A) Larg. armoie po (mm)	(B) Diam. évac. po (mm)	(C) Coupe- tirage int. po (mm)	(D) po (mm)	(J)* po (mm)	Modèle std. avec couvercle extérieur	Coupe- tirage int.
<b>P-_206A-EN-X</b>	180,0 (52,7)	20 (508)	6 (152)	61-5/8 (1565)	10,0 (254)	11-3/4 (298)	187 (85)	14 (6,4)
<b>P-_266A-EN-X</b>	240,0 (70,3)	23 (584)	7 (178)	62 (1575)	11,5 (292)	11 (279)	210 (95)	16 (7,3)
<b>P-_336A-EN-X</b>	300,0 (87,9)	26 (660)	8 (203)	63 (1600)	13 (330)	10-5/8 (270)	230 (104)	19 (8,6)
<b>P-_406A-EN-X</b>	360,0 (105,5)	29 (737)	9 (229)	64-9/16 (1640)	14,5 (368)	12-1/8 (309)	249 (113)	21 (9,5)

\*Note: hauteur d'une cheminée extérieure: dimension « J » plus 6 po (152 mm).

**Tableau H. Résidentiel - Dimensions et poids de l'appareil, échangeur en cupronickel**

Commercial - Échangeur de chaleur ASME en cuivre ou en cupronickel							Poids à l'exp. lb (kg)	
N° de modèle	Puis. BTU/h (kWh)	(A) Larg. armoie po (mm)	(B) Diam. évac. po (mm)	(C) Coupe- tirage int. po (mm)	(D) po (mm)	(J)* po (mm)	ASME Modèle std, avec couvercle extérieur	Coupe- tirage int.
<b>B-_206A-EN-(C ou X)</b>	199,5 (58,4)	20 (508)	6 (152)	61-5/8 (1565)	10,0 (254)	11-3/4 (298)	206 (94)	14 (6,4)
<b>B-_266A-EN-(C ou X)</b>	266,0 (77,9)	23 (584)	7 (178)	62 (1575)	11,5 (292)	11 (279)	229 (104)	16 (7,3)
<b>B-_336A-EN-(C ou X)</b>	332,5 (97,4)	26 (660)	8 (203)	63 (1600)	13 (330)	10-5/8 (270)	249 (113)	19 (8,6)
<b>B-_406A-EN-(C ou X)</b>	399 (116,9)	29 (737)	9 (229)	64-9/16 (1640)	14,5 (368)	12-1/8 (309)	268 (122)	21 (9,5)

\*Note: hauteur d'une cheminée extérieure: dimension « J » plus 6 po (152 mm).

**Tableau I. Commercial - Dimensions et poids de l'appareil**

## Conduit d'évacuation

**AVERTISSEMENT:** dans le cas d'une installation intérieure, le coupe-tirage doit être raccordé à un conduit assurant l'évacuation adéquate des produits de combustion à l'extérieur du bâtiment. Le non-respect du présent avertissement peut causer un incendie ou un empoisonnement mortel au monoxyde de carbone.

Dans le cas d'une installation extérieure, seul le couvercle extérieur (fourni) est requis. Dans une installation intérieure, le conduit doit être de Catégorie I (appareil qui fonctionne avec une pression statique au conduit d'évacuation non positive et avec une perte par les gaz de combustion d'au moins 17 %) conformément aux exigences du NFGC et des codes locaux.

Il est recommandé que le diamètre du conduit d'évacuation soit identique à celui du coupe-tirage. Toutefois, si la hauteur totale d'évacuation est d'au moins 10 pi (3 m) (ouverture du coupe-tirage à la terminaison d'évacuation), le diamètre du conduit d'évacuation peut être réduite d'au plus une taille, tel que permis par les codes (NFGC, chapitre 13 aux États-Unis et ANSI Z223.1 CSA-B149 au Canada).

Lors de la conception de l'acheminement du conduit d'évacuation, limitez la longueur des sections horizontales et le nombre de coudes. Les sections horizontales du conduit d'évacuation doivent maintenir une pente ascendante d'au moins 1/4 po par pied et doivent être supportées à intervalles d'au plus 5 pi (1,5 m).

Utilisez du ruban à conduits pour étanchéifier les raccords horizontaux et verticaux. Un conduit d'évacuation uniquement supporté par un solin soit surplomber le toit d'au moins 5 pi (1,5 m) et doit être solidement haubané ou contreventé afin de résister aux charges de vent et de neige. Il est recommandé d'insérer un solin d'espacement isolé dans les passages à travers les murs et le toit.

À des fins de protection contre la pluie ou d'un éventuel blocage par la neige, la terminaison d'évacuation doit être conforme aux exigences de la plus récente édition des codes applicables (NFGC aux États-Unis et ANSI Z223.1 CSA-B149 au Canada).

La terminaison d'évacuation doit se trouver à une hauteur d'au moins 2 pi (0,6 m) au-dessus du toit et d'au moins 2 pi (0,6 m) au-dessus de toute partie du bâtiment dans un rayon de 8 pi (2,4 m). La terminaison d'évacuation doit se trouver à une hauteur d'au moins 5' (1,5 m) au-dessus de la sortie du coupe-tirage. La terminaison d'évacuation doit se trouver à une distance horizontale d'au moins 4 pi (1,2 m), sur toute la hauteur du bâtiment, de tout compteur électrique ou de gaz, d'un régulateur de gaz ou d'une soupape de décharge.

Le poids du conduit d'évacuation ou de la cheminée ne doit pas reposer sur le coupe-tirage de l'appareil. Le système de ventilation doit être supporté conformément aux exigences des codes applicables. Il doit être possible

### APPROVED

d'aisément retirer le couvercle extérieur et le coupe-tirage de l'appareil à des fins d'inspection et d'entretien. Le conduit d'évacuation doit être adéquatement supporté de façon à ce qu'il maintienne les dégagements exigés aux matières combustibles.

Les composantes du conduit d'évacuation doivent être de CATÉGORIE I ou supérieure. Il est recommandé d'utiliser des tuyaux de Type « B » à double paroi ou l'équivalent. Le système doit générer un tirage d'au moins -0,01 po à -0,08 po c.e. Le conduit d'évacuation peut être construit avec des tuyaux en métal à paroi simple, conformément à la plus récente édition du National Fuel Gas Code ANSI Z223.1 (CSA-B149 au Canada).

## Kit d'évacuation forcée (PV) D-2

Le kit d'évacuation forcée D-2 peut être utilisé dans une installation comportant des sections horizontales.

Modèle	N° pièce 120 VCA	N° pièce 240 VCA
206A	010744	009832
266/266A	010744	009832
336A	010745	009833
399/406A	010745	009833

Tableau J. Numéros de pièce des kits d'évacuation forcée

**NOTE:** le système d'évacuation forcée D-2 est pour les systèmes de Catégorie III – appareil qui fonctionne avec une pression statique au conduit d'évacuation positive et avec une perte par les gaz de combustion d'au moins 17 %. Pour plus de détails, consultez le manuel du système d'évacuation forcée D-2 (n° pièce 241243). Il n'est pas permis d'utiliser des tuyaux de Catégorie I (ex.: Type B) dans un système de Catégorie III.

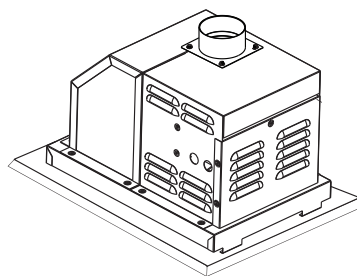


Figure 10. Option d'évacuation forcée D-2

Le système d'évacuation forcée incorpore un ventilateur et est compatible avec les modèles 206A-406A.

Un système d'évacuation forcée (PV) correctement installé peut être utilisé dans une configuration de ventilation murale (installation existante ou neuve). Toutefois, le diamètre des sections horizontales et verticales des conduits doit être réduit. Le câblage de l'appareil se compose de conducteurs 240 VCA et peut être recablé avec des conducteurs 120 VCA au chantier.

Pour plus de détails, consultez le manuel du système d'évacuation forcée D-2 (n° pièce 241243). Ce manuel se trouve dans la librairie de documents Raypak à [www.raypak.com](http://www.raypak.com).

**APPROVED**

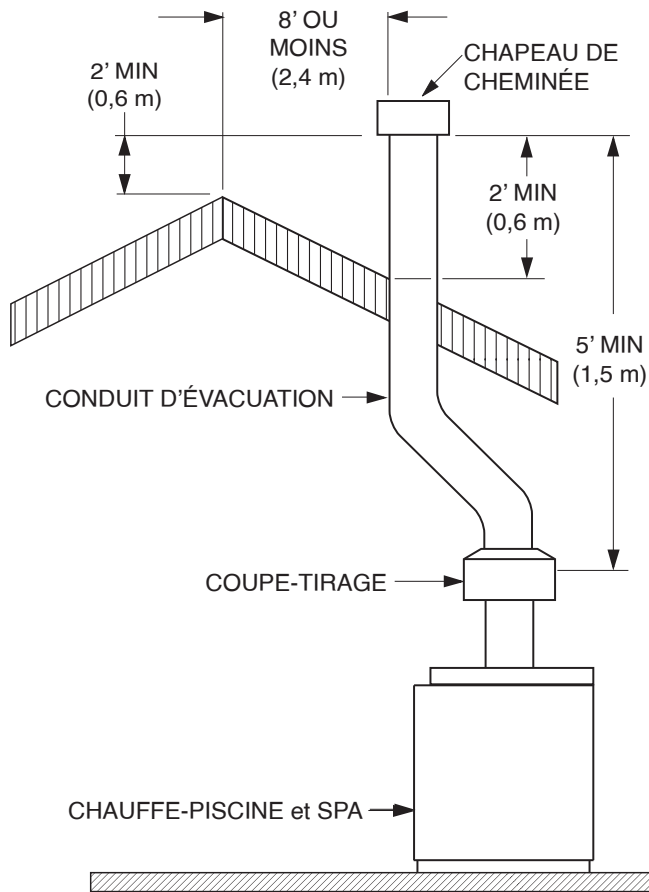


Figure 11. Dégagements d'évacuation

**NOTE:** pour concevoir un système de ventilation commune à deux appareils ou plus, veuillez joindre le fabricant.

La tuyauterie d'alimentation en gaz doit comporter un collecteur de sédiments et un robinet d'arrêt manuel en aval de la commande du gaz. L'étanchéité de la tuyauterie de gaz doit être testée après l'installation, conformément aux codes locaux.

**ATTENTION:** l'appareil et son robinet d'arrêt manuel doivent être débranchés du réseau d'alimentation en gaz lors de tout essai d'étanchéité effectué à une pression supérieure à 1/2 psi (3,5 kPa). Assurez-vous de libérer la pression de l'essai d'étanchéité de la conduite d'alimentation en gaz avant de raccorder le robinet d'arrêt manuel et l'appareil au réseau d'alimentation. **LE NON-RESPECT DE CETTE DIRECTIVE RISQUE D'ENDOMMAGER LA VANNE DE GAZ. LES DOMMAGES CAUSÉS À LA VANNE DE GAZ EN RAISON D'UNE SURPRESSURISATION NE SONT PAS COUVERTS PAR LA GARANTIE.** L'appareil et les raccords de tuyauterie l'alimentant doivent subir un essai d'étanchéité avant la mise en service. Utilisez de l'eau savonneuse pour effectuer l'essai d'étanchéité. **NE PAS utiliser une flamme nue.**

**Pression d'alimentation**

**ATTENTION:** ne pas appliquer de ruban Téflon sur les raccords de gaz. Utilisez uniquement un ruban ou un composé approuvé pour étanchéifier les raccords de gaz naturel et de propane. Appliquez avec parcimonie uniquement sur les filets mâles, en laissant les deux premiers fils nus.

La pression d'alimentation statique et dynamique en gaz naturel doit s'élever à au moins 6 po c.e. et ne pas dépasser 10,5 po c.e. La pression d'alimentation statique et dynamique en gaz propane doit s'élever à au moins 12 po c.e. et ne pas dépasser 13 po c.e.

**Raccordement du gaz**

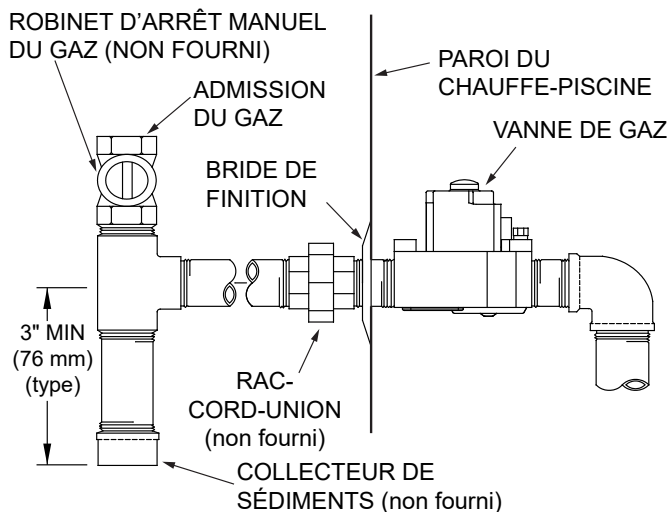


Figure 12. Alimentation en gaz

**Régulateur de pression du gaz**

Le régulateur de pression du gaz est réglé à 4,0 po c.e. pour le gaz naturel et à 10,5 po c.e. pour le propane. La pression mesurée à la vanne du gaz (avec un manomètre), doit s'élever à au moins 4,0 po c.e. pour le gaz naturel et à 10,5 po c.e. pour le propane. Si un réglage est requis, retirez le couvercle de la vanne de gaz et tournez la vis de réglage dans le sens horaire ↻ pour augmenter la pression ou dans le sens antihoraire ↻ pour réduire la pression.

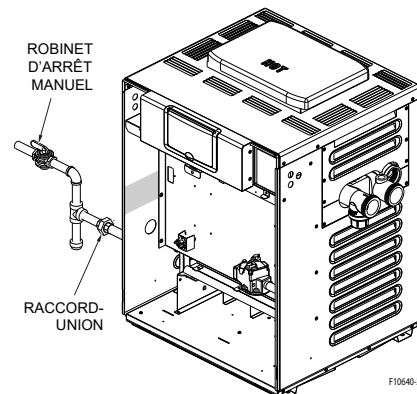


Figure 13. Installation du robinet d'arrêt manuel

# Dispositifs de réglage de la pression du gaz

## Vanne de gaz millivolt

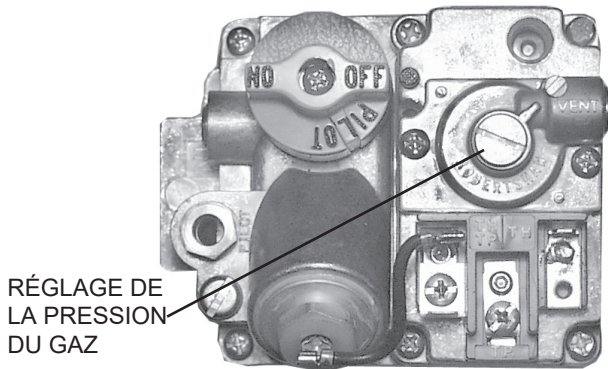


Figure 14. Robertshaw 7000 (modèles 206A à 406A)

## Vanne de gaz électronique

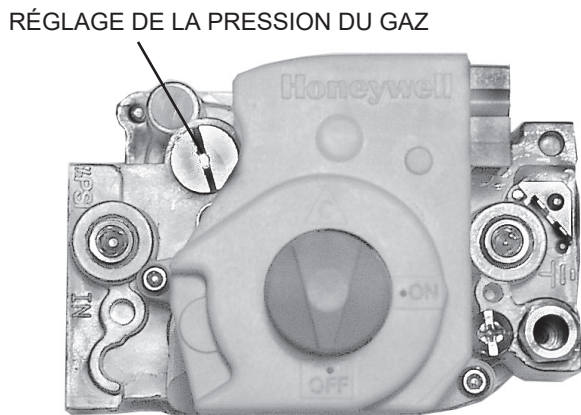


Figure 15. Honeywell VR8340 (modèles 206A à 406A)

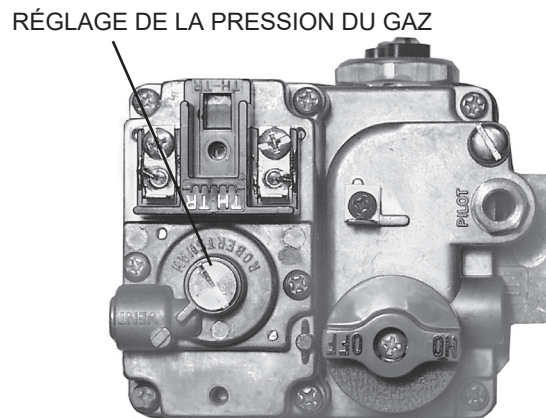


Figure 17. Robertshaw 7000 BDER (modèle 266A - 336A)

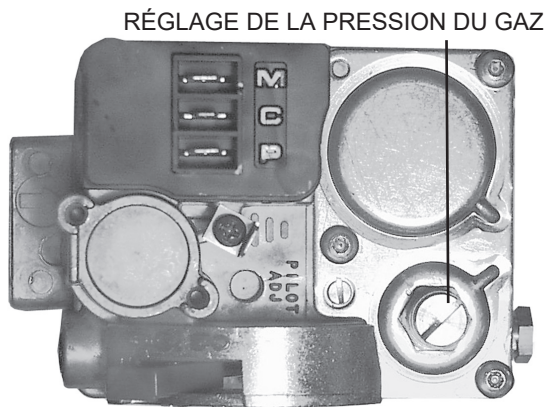


Figure 16. Robertshaw 7200 (modèle 206A)

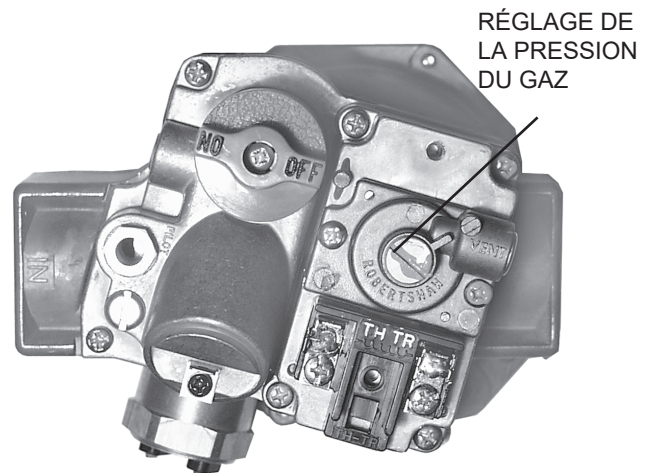


Figure 18. Robertshaw 7000 DERHC (modèle 406A)

## Dimensionnement de la tuyauterie de gaz

Les capacités indiquées ci-dessous considèrent des tubes en fonte Schedule 40. Pour la capacité de tubes fabriqués en d'autres matériaux, consultez vos codes locaux.

Longueur équivalente maximale pi (m)								
Gaz naturel – 1 000 BTU/pi <sup>3</sup> , densité de 0,60 à perte de charge de 0,5 po c.e.								
Propane - 1 000 BTU/pi <sup>3</sup> , densité de 0,60 à perte de charge de 0,5" c.e.								
Modèle	3/4 po		1"		1-1/4"		1-1/2"	
	NAT	PRO	NAT	PRO	NAT	PRO	NAT	PRO
206A	25 (7,6)	60 (18,3)	90 (27,4)	215 (65,5)	360 (109,7)			
266/266A	15 (4,6)	35 (10,7)	50 (15,2)	125 (38,1)	210 (64,0)	480 (146,3)	445 (135,6)	
336A	10 (3,0)	20 (6,1)	30 (9,1)	80 (24,4)	140 (42,7)	320 (97,5)	290 (88,4)	
399/406A	*	15 (4,6)	20 (6,1)	55 (16,8)	95 (29,0)	225 (68,6)	215 (65,5)	480 (146,3)

\* La longueur maximale d'une conduite de gaz de 3/4 po est de 5 pi (1,5 m), plus un collecteur de sédiments.

Tableau K. Dimensions des conduites de gaz

## Débits

Modèle	Dia. conduit	Min. GPM (lpm)	Max. GPM (lpm)
206A	1-1/4"-1-1/2"-2"	20 (75)	100 (378)
266/266A	1-1/4"-1-1/2"-2"	25 (95)	100 (378)
336A	1-1/4"-1-1/2"-2"	35 (132)	100 (378)
399/406A	1-1/4"-1-1/2"-2"	40 (151)	100 (378)

\* Lorsque les débits dépassent la valeur maximale, une vanne de dérivation auxiliaire externe est requise. Voir section Vanne de dérivation externe pour plus de détails.

Tableau L. Débits Min./Max.

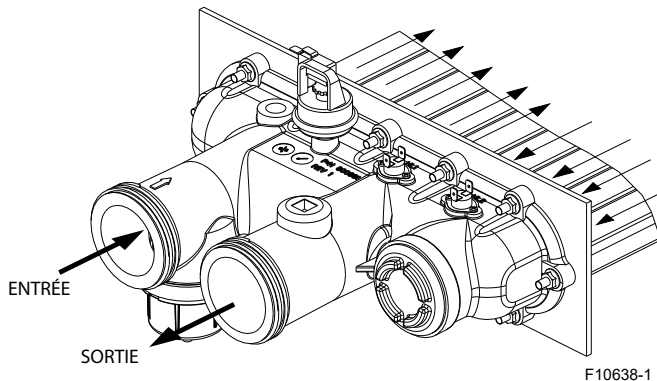


Figure 19. Débits d'eau, distributeur en polymère

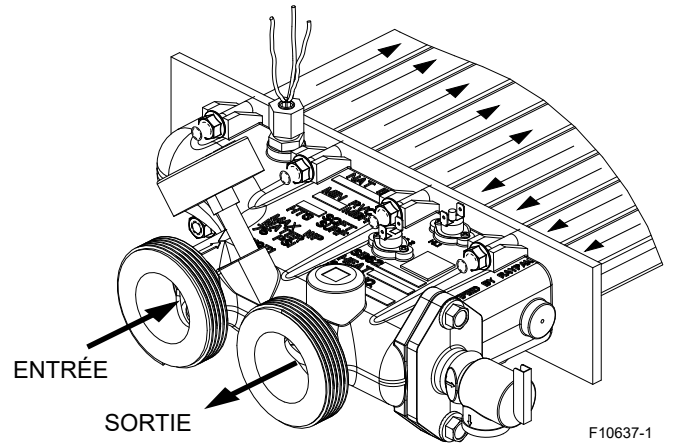


Figure 20. Débits d'eau, distributeur en bronze (ASME)

Débit GPM (lpm)	Perte de charge pi (m)			
	206A	266/266A	336A	399/406A
20 (75)	4,0 (1,2)			
25 (95)	4,0 (1,2)	4,6 (1,4)		
30 (113)	4,0 (1,2)	5,2 (1,6)		
35 (132)	4,0 (1,2)	5,8 (1,8)	5,2 (1,6)	
40 (151)	4,6 (1,4)	5,8 (1,8)	5,2 (1,6)	5,2 (1,6)
50 (189)	4,6 (1,4)	6,3 (1,9)	6,9 (2,1)	6,9 (2,1)
60 (227)	4,6 (1,4)	6,9 (2,1)	6,9 (2,1)	6,9 (2,1)
70 (265)	4,6 (1,4)	8,1 (2,5)	9,2 (2,8)	9,2 (2,8)
80 (303)	4,6 (1,4)	9,2 (2,8)	9,8 (3,0)	9,8 (3,0)
90 (340)	6,9 (2,1)	10,4 (3,2)	10,4 (3,2)	10,4 (3,2)
100 (378)	8,1 (2,5)	11,0 (3,4)	12,1 (3,7)	12,1 (3,7)

Tableau M. Perte de charge, échangeur en polymère (résidentiel), régulateur entièrement ouvert

Débit GPM (lpm)	Perte de charge pi (m)			
	206A	266A	336A	406A
20 (75)	8,2 (2,5)			
30 (113)	9,5 (2,90)	9,5 (2,90)		
40 (151)	9,7 (2,95)	9,7 (2,95)	11 (3,3)	13,4 (4,08)
50 (189)	10 (3,0)	9,8 (2,98)	12,2 (3,7)	13,4 (4,08)
60 (227)	11 (3,3)	10,4 (3,17)	13,7 (4,2)	13,5 (4,1)
70 (265)	11,5 (3,5)	10,9 (3,3)	14,3 (4,3)	14 (4,3)
80 (303)	12,6 (3,8)	12 (3,6)	15,5 (4,7)	15 (4,6)
90 (340)	14 (4,3)	13 (4,0)	16,2 (4,9)	16,2 (4,9)
100 (378)	15 (4,6)	14,2 (4,3)	17,5 (5,3)	16,7 (5,1)

Tableau N. Perte de charge, échangeur en bronze (ASME), régulateur fermé

**NOTE:** ces capacités considèrent des tubes en fonte Schedule 40. Pour la capacité de tubes fabriqués en d'autres matériaux, consultez vos codes locaux.

### Distributeur en polymère (modèles résidentiels)

Avant de visser les raccords-unions de 2 po au distributeur d'entrée/sortie, assurez-vous que les joints toriques sont correctement insérés dans les rainures correspondantes. Appliquez de l'Aqualube ou un lubrifiant équivalent sans produit pétrolier sur le joint torique. **Serrez tous les joints à la main.** Collez la tuyauterie PVC directement aux raccords-unions.

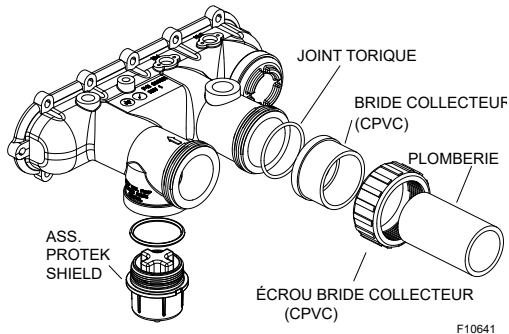


Figure 21. Distributeur d'entrée/sortie - polymère

Le distributeur est muni de raccords en CPVC haute température et d'écrous de raccords correspondants. S'il y a une possibilité de siphonnage lorsque la pompe s'arrête, il est suggéré d'installer un clapet anti-retour dans le système.

### Distributeur en bronze (ASME)

L'appareil doit être positionnée de façon à ce que toute fuite d'eau ne cause pas de dégât d'eau. Avant de visser l'adaptateur ProTek Shield et les raccords-unions de 2 po au distributeur d'entrée/sortie, assurez-vous que les joints toriques sont correctement insérés dans les rainures correspondantes. Appliquez de l'Aqualube ou un lubrifiant équivalent sans produit pétrolier sur le joint torique. **Serrez tous les joints à la main.** Collez la tuyauterie PVC directement aux raccords-unions.

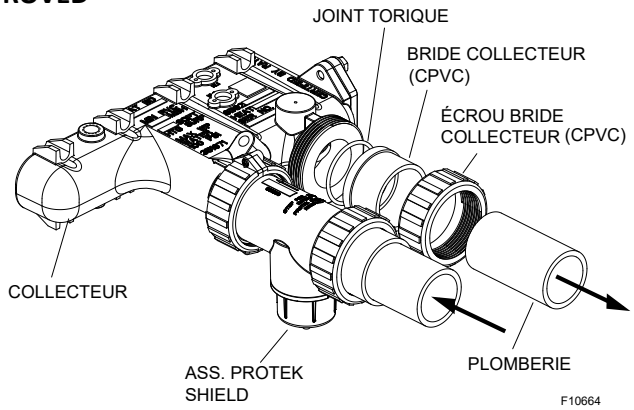


Figure 22. Distributeur d'entrée/sortie - bronze

**NOTE:** certaines autorités compétentes exigent la pose d'un débitmètre dans une installation ASME. Commandez le kit 015889F (bride de finition) ou 015890F (raccord NPT) pour conserver la conformité ASME aux exigences du code.

### Assemblage ProTek Shield

On retrouve sous le raccord d'entrée des modèles à distributeur en polymère un assemblage ProTek Shield (monté à l'usine). Dans le cas des modèles à distributeur en bronze (ASME), l'adaptateur ProTek Shield est expédié non installé.

**NOTE:** le Protek Shield est disponible sur les modèles ASME depuis le 3e trimestre 2020.

Ce dispositif sert à protéger l'échangeur de chaleur contre la corrosion galvanique, lorsqu'il est électriquement en contact avec lui. Le ProTek Shield doit être remplacé lorsque son poids atteint environ 40% de son poids initial (1,46 lb).

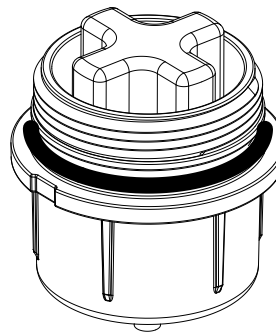


Figure 23. Assemblage ProTek Shield

**ATTENTION:** ARRÊTEZ la pompe avant d'entreprendre le retrait du ProTek Shield. Le maintien en charge de la pompe risque d'endommager le ProTek Shield, une perte d'eau du système ou des blessures corporelles.

**ATTENTION:** n'utilisez pas d'outils pour enlever (dévisser) le ProTek Shield ou son écrou à oreilles. Les dommages causés par l'utilisation d'outils ne sont pas couverts par la garantie.

Directives de remplacement du ProTek Shield:

APPROVED

1. Arrêtez la pompe et dissipez la pression du système.
2. Fermez les vannes d'isolement pour éviter les pertes d'eau de piscine/spa.
3. Retirer l'écrou à oreilles du goujon inférieur du ProTek Shield.
4. Retirez l'anneau-terminal de continuité électrique du goujon.
5. Faites pivoter le ProTek Shield dans le sens horaire (à la main) pour le dévisser de l'assemblage.
6. Inspecter et remplacer si nécessaire et inverser la procédure ci-dessus pour réinstaller. Serrez uniquement à la main! N'utilisez pas d'outils.

**NOTE:** assurez-vous que le joint torique est correctement inséré dans sa rainure avant l'installation.

## Utilisation du régulateur Unitherm

**ATTENTION:** le régulateur Unitherm breveté est une vanne thermostatique spécialement conçue pour maintenir la température interne de l'appareil entre 105°F (41°C) et 115°F (46°C), à tous les débits de filtration et à toutes les températures d'eau. Cette plage de température étroite permet d'éviter le dépôt de condensation dommageable sur les brûleurs, qui peut survenir à une température inférieure à 100°F (38°C). Cela ralentit aussi la formation de tartre dans les tubulures internes.

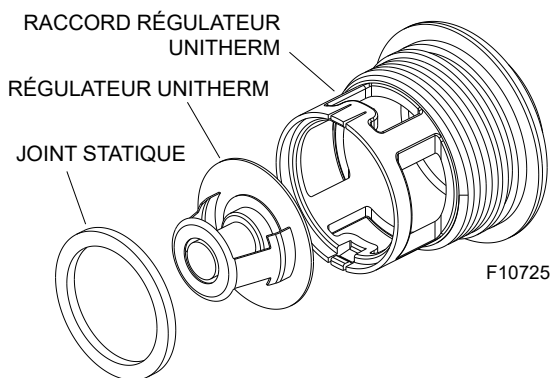


Figure 24. Régulateur Unitherm - Polymer

ASS. DÉRIVATION RÉGULATEUR UNITHERM

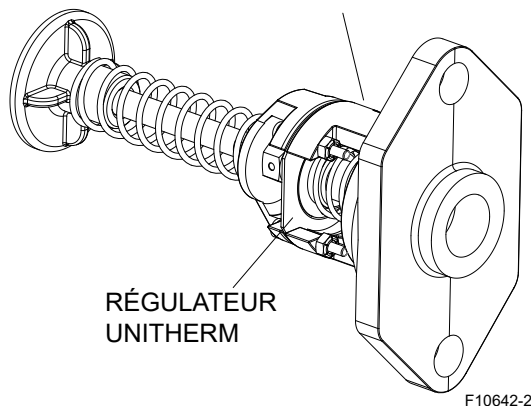


Figure 25. Régulateur Unitherm - Bronze

## Vanne de dérivation automatique interne

En plus du régulateur Unitherm, une vanne de dérivation automatique interne se trouve dans le distributeur d'entrée/sortie. Alors que le régulateur Unitherm réagit aux changements de température de l'eau, la vanne de dérivation interne réagit automatiquement aux changements de pression dans la tuyauterie d'eau. Le débit d'eau approprié est maintenu à travers l'appareil sous des conditions de pression variable, selon l'état du filtre et de la pompe.

ASS. DÉRIVATION RÉGULATEUR UNITHERM

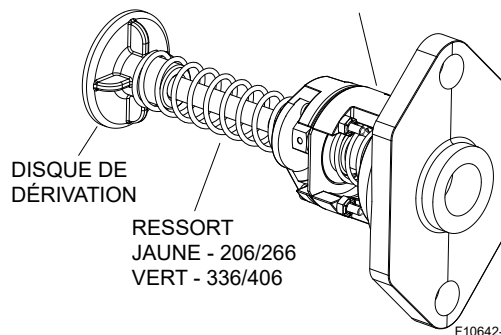
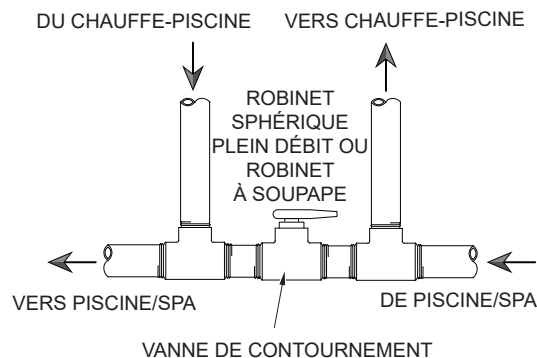


Figure 26. Vanne de dérivation automatique interne - Bronze

**NOTE:** le régulateur Unitherm et l'assemblage de dérivation ne peuvent être séparément remplacés sur les modèles ASME. Si l'un ou l'autre doit être remplacé, l'ensemble entier régulateur/ass. dérivation doit être remplacé. Les modèles 206A et 266A sont équipés d'un ressort jaune. Les modèles 336A et 406A sont équipés d'un ressort vert.

## Vanne de dérivation auxiliaire externe

**Quand utiliser** - Une vanne de dérivation auxiliaire doit être utilisée lorsque le débit dépasse 100 GPM (378 LPM). L'utilisation d'une pompe haute performance de plus de deux h.p. produit un débit supérieur à cette valeur. Cette vanne est un complément à la vanne de dérivation automatique, en particulier lors du démarrage de l'appareil en hiver ou au début du printemps lorsque la température du spa ou de la piscine est inférieure à 50°F (10°C). Elle permet également de réduire la perte de charge à travers l'appareil et à réduire le débit des jets thermaux, etc.



NOTE: ne pas utiliser de robinet-vanne.

Figure 27. Vanne de dérivation auxiliaire

## Réglage de la vanne de dérivation auxiliaire

Réglage - Alors que le filtre est propre, touchez les conduites d'entrée et de sortie de l'appareil. Les raccords de sortie doivent être légèrement plus chauds que ceux d'entrée et confortables au toucher. S'ils sont trop chauds, refermez la vanne; s'ils sont trop froids, ouvrez la vanne.

## Installation de la soupape de surpression

Certains codes locaux exigent l'installation d'une soupape de surpression. Il est recommandé d'installer une soupape de surpression de 3/4 po dont la capacité est égale ou supérieure à la puissance de l'appareil.

Le distributeur d'entrée/sortie en polymère comporte un raccord 3/4" NPT pour l'installation d'une soupape de surpression. Cette soupape doit être installée à la verticale. Ne serrez pas trop. Serrez légèrement la soupape de surpression à la main, plus un demi-tour.

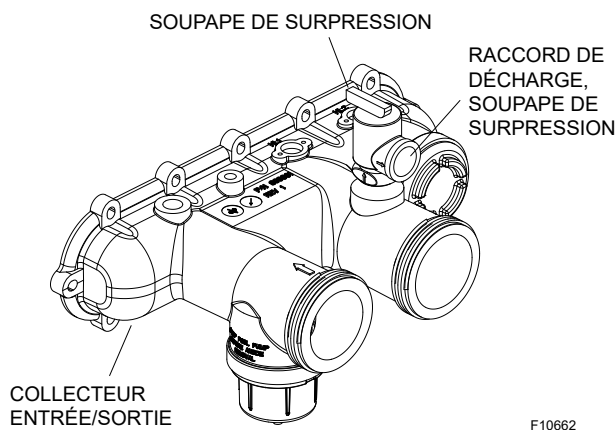


Figure 28. Soupape de surpression (non fournie), modèles résidentiels

Le distributeur d'entrée/sortie comporte un raccord 3/4" NPT pour l'installation d'une soupape de surpression de 75 PSI (517 kPa). La vanne de surpression est expédié non installée, dans la boîte des accessoires, avec le couvercle extérieur. Cette soupape de surpression doit être installée à la verticale.

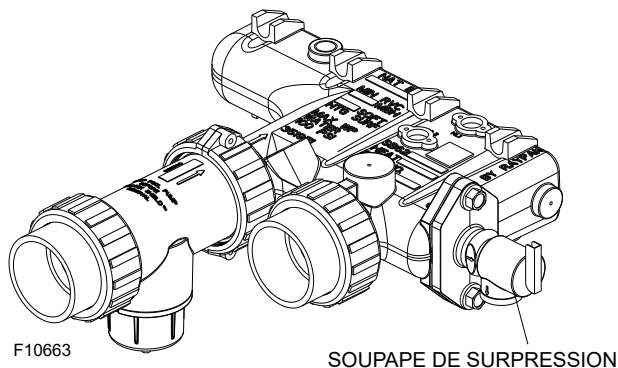


Figure 29. Soupape de surpression, modèles commerciaux

## APPROVED

**NOTE:** afin d'éliminer tout risque de dégât d'eau ou d'ébouillement lors du déclenchement de la soupape de surpression, celle-ci doit être raccordée à un tuyau d'écoulement acheminant l'eau chaude à un endroit de décharge sécuritaire. Le tuyau d'écoulement doit être de la même taille, sur toute sa longueur, que le raccord de la soupape de surpression et doit maintenir une pente descendante. N'installez aucune robinetterie entre l'appareil et la soupape de surpression ou dans le tuyau d'écoulement. Soulevez le levier de la soupape au moins une fois par an pour assurer qu'elle demeure fonctionnelle.

L'appareil doit être traversé par un débit d'eau suffisant et soumis à une pression positive suffisante pour s'allumer et correctement fonctionner. Il doit donc être installé en aval du raccord de refoulement de la pompe du filtre. Voir **Figure 31** et **Figure 32**. Schéma de plomberie typique:

1. Le raccord d'entrée du filtre est directement relié au raccord de refoulement de la pompe;
2. Le raccord de sortie du filtre est ensuite relié au raccord d'entrée de l'appareil;
3. Le raccord de sortie de l'appareil est relié à la ligne de retour de la piscine ou du spa. La pompe, le filtre et l'appareil sont ainsi reliés en série (installez un générateur de sel ou un distributeur automatique en aval de l'appareil).

Les conduites d'eau reliant l'appareil à la piscine ou au spa ne doivent pas comporter de soupapes ni de restrictions qui pourraient bloquer le débit lorsque la pompe fonctionne.

**ATTENTION:** le raccordement d'une source supplémentaire d'eau chauffée (ex.: système de chauffage solaire), doit s'effectuer en amont du raccord d'entrée de l'appareil de chauffage. Si cette source de chaleur est suffisante pour atteindre le point de consigne du système, l'appareil de chauffage ne se mettra pas en marche. Dans un tel cas, le panneau de commande de l'appareil affichera la température de l'eau chauffée par la source supplémentaire.

L'appareil doit être positionnée de façon à ce que toute fuite d'eau ne cause pas de dégât d'eau. Les tuyaux en PVC peuvent être collés directement dans les raccords-unions du distributeur d'entrée/sortie.

## Inversion de l'échangeur de chaleur

### Procédure, modèles résidentiels

1. Retirez les panneaux d'accès côtés droit et gauche. Voir **Figure 30**.

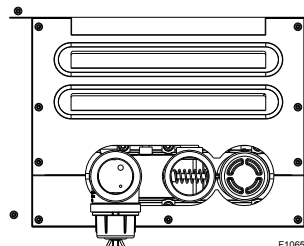


Figure 30. Panneaux d'accès



# Schémas de plomberie

## Raccords d'eau

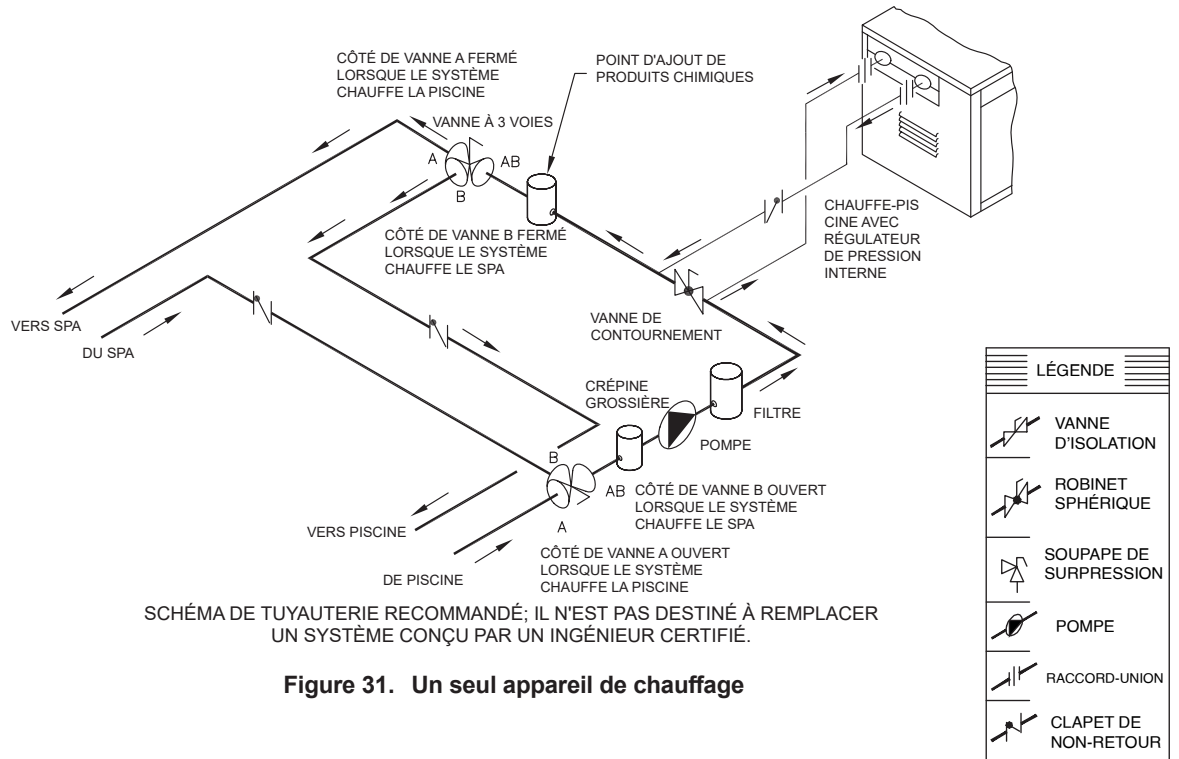


Figure 31. Un seul appareil de chauffage

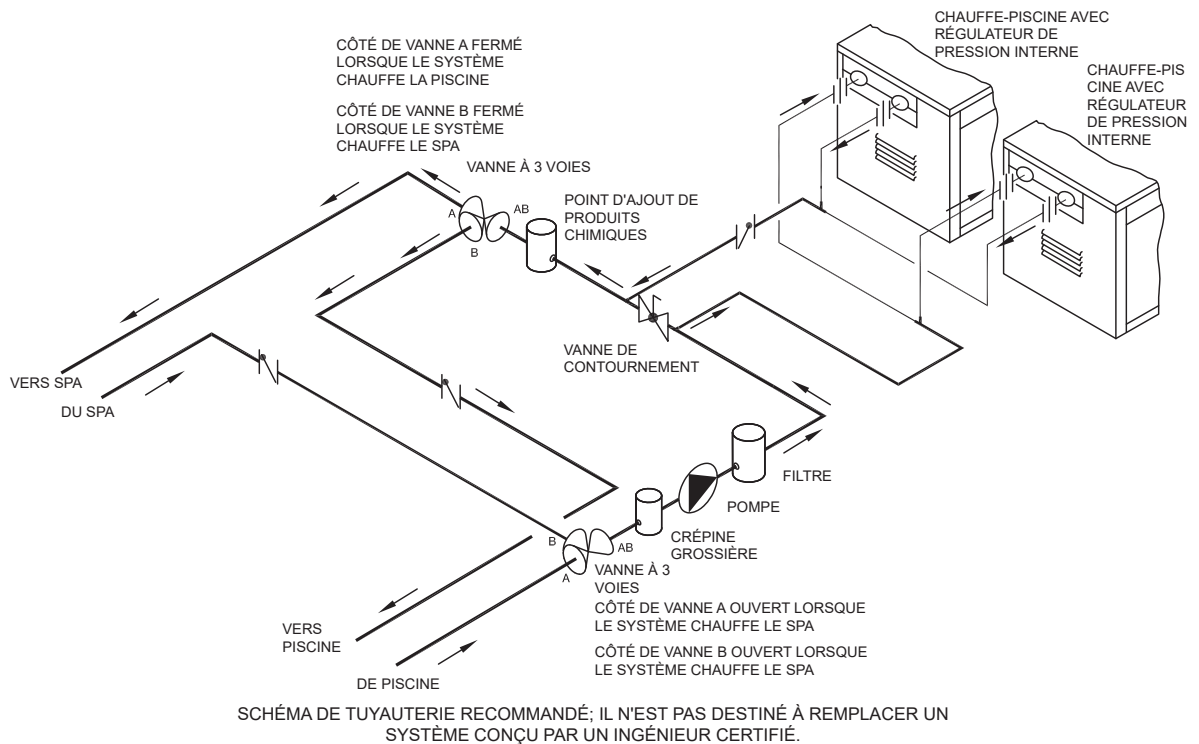


Figure 32. Plusieurs appareils de chauffage

- Déconnectez les fils du limiteur de haute température, du coupe-circuit automatique du gaz et de l'interrupteur de pression d'eau du distributeur d'entrée/sortie et les fils de continuité des masses du ProTek Shield. Voir **Figure 33**.

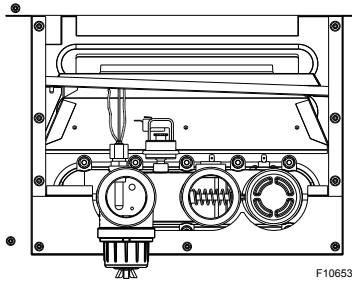


Figure 33. Raccords électriques, distributeur d'entrée/sortie

- Modèles numériques:** retirez le capteur du thermostat en desserrant l'écrou du raccord à compression. Réacheminez le capteur vers le côté gauche de l'appareil. Voir **Figure 34**.

**Modèles millivolt:** retirez le bulbe du capteur de température et l'attache en desserrant l'écrou du raccord à compression. Réacheminez le bulbe du capteur vers le côté gauche de l'appareil. Voir **Figure 35**.

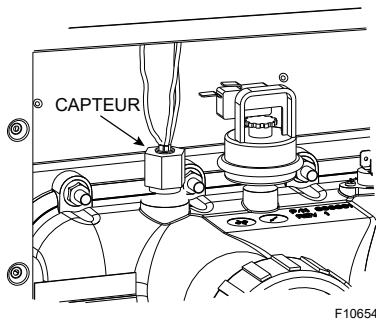


Figure 34. Capteur de température numérique

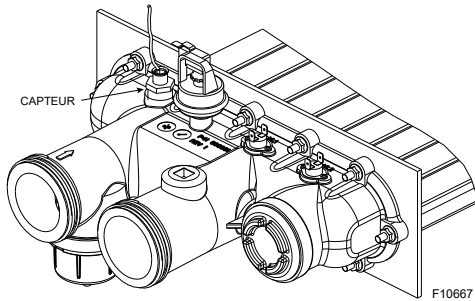


Figure 35. Capteur de température millivolt

- Retirez du distributeur d'entrée/sortie les 12 écrous qui maintiennent le raccords de retour à la plaque de montage. Nettoyez la surface de la plaque de montage où repose le joint d'étanchéité. Nettoyez également le distributeur et le joint d'étanchéité. Appliquez un lubrifiant sans produit pétrolier sur le joint d'étanchéité (ex.: Aqualube). Réassemblez le distributeur d'entrée/sortie de l'autre côté, en prenant soin de les installer en position verticale. Ne serrez pas trop. Le couple ne doit pas dépasser 7 pi-lb. Voir **Figure 34**.

- Reconnectez les fils du limiteur de haute température, du coupe-circuit automatique du gaz et de l'interrupteur de pression d'eau du collecteur d'entrée/sortie et les fils de continuité des masses du ProTek Shield.

- Modèles numériques:** insérez le capteur de température dans le raccord à compression, en l'alignant à égalité avec le haut du raccord. Serrez à la main plus un demi-tour.

**Modèles millivolt:** insérez le bulbe du capteur et l'attache dans le puits du capteur.

- Laisser l'eau circuler et assurez-vous de l'absence de fuites.
- Réinstallez les panneaux d'accès aux côtés opposés.

**Pour obtenir les instructions d'inversion des raccords de l'échangeur des modèles ASME, appelez le représentant du fabricant.**

## 5. CÂBLAGE ÉLECTRIQUE

**NOTE:** en cas de remplacement d'un câble d'origine, utilisez uniquement un conducteur à température nominale de 105°C ou l'équivalent (cablage original: 150°C).

**AVERTISSEMENT:** les modèles numériques sont câblés en usine pour une alimentation à 240 VCA, 1 ph, 60 Hz. NE PAS alimenter l'appareil à 208 VCA.

### Modèles millivolt (suffixe M)

Les modèles millivolt sont équipés d'un générateur de tension alimentant la veilleuse. Ainsi, aucune électrique externe n'est requise.

Un thermostat externe ne peut être positionné à plus de 10 pi (3 m) du chauffe-piscine. Utilisez un conducteur torsadé de calibre 18.

### Modèles numériques (suffixe E)

Le raccord standard à effectuer au chantier se trouve sur le côté droit de l'appareil.

Pour raccorder l'appareil du côté gauche:

- Retirez les deux vis qui maintiennent la porte avant de l'appareil. Retirez et mettez de côté la porte pour un meilleur accès au câblage.
- Retirez les quatre vis qui maintiennent la boîte de jonction sur la plaque de renfort.
- Retirez le couvercle du transformateur situé à l'extrême droite en retirant la vis correspondante.
- Retirez les deux vis qui maintiennent le transformateur en place.
- Retirez la vis qui maintient en place les fils de terre.
- Déconnectez le connecteur P6 de la carte électronique.
- Retirez le transformateur et déplacez-le à l'extrême gauche de l'appareil.

8. Réacheminez tous les câbles à haute tension et tous les fils de terre à travers la paroi gauche de l'appareil.
9. Réinstallez le connecteur P6, les fils de terre, le transformateur, le boîtier de jonction, la porte avant; connectez le côté droit avec la fiche du côté gauche.

**NOTE:** les ouvertures de 7/8 po non utilisées de la paroi et du boîtier de commande peuvent servir à l'acheminement du câblage d'une minuterie, d'un module de commande auxiliaire ou système d'évacuation forcée D-2.

## Capacité électrique requise

**ATTENTION:** l'appareil doit être mis à la terre et à la masse. L'appareil est fourni avec des cosses de continuité des masses incluses séparément. Installez les cosses de continuité des masses sur le côté inférieur droit ou gauche du boîtier, tel que requis. La paroi de l'appareil comporte une ouverture prévue à cette fin.

**NOTE:** le défaut de ne pas correctement mettre l'appareil à la terre pourrait affecter les composants électroniques.

**NOTE:** voir "Minuterie" à la page 31 pour plus de détails sur le câblage d'une minuterie.

Le dispositif d'allumage électronique intermittent allume automatiquement la veilleuse et le brûleur lors d'un appel de chaleur. L'appareil est équipé d'un transformateur à double tension d'entrée de 120 et 240 VCA.

Lorsqu'alimenté à 120 VCA, l'appareil tire 4,0 A. Lorsqu'alimenté à 240 VCA, l'appareil tire 2,0 A.

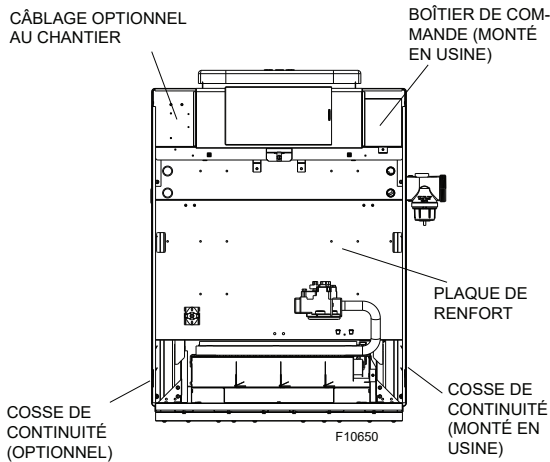


Figure 36. Emplacement du câblage

## Câblage du transformateur

### Câblage 120 VCA

Pour alimenter l'appareil à 120 VCA, connectez le fil noir au câble L1 (sous tension) de la source. Connectez le fil blanc au neutre de la source. **Il n'y a aucun raccordement à effectuer au fil rouge avec une alimentation 120 VCA.** Insérez une marquette sur le fil rouge.

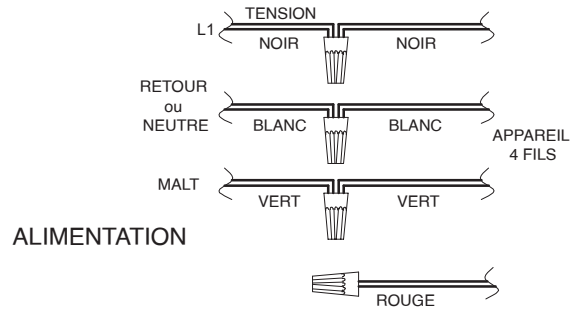


Figure 37. Raccordements à 120 VCA

### Câblage 240 VCA

Pour alimenter l'appareil à 240 VCA, connectez le fil noir au câble L1 (sous tension) de la source. Connectez le second fil sous tension (L2) de la source au fil rouge de l'appareil. **Il n'y a aucun raccordement à effectuer au fil blanc avec une alimentation 240 VCA.** Insérez une marquette sur le fil blanc.

**AVERTISSEMENT:** NE PAS alimenter l'appareil à 208 VCA.

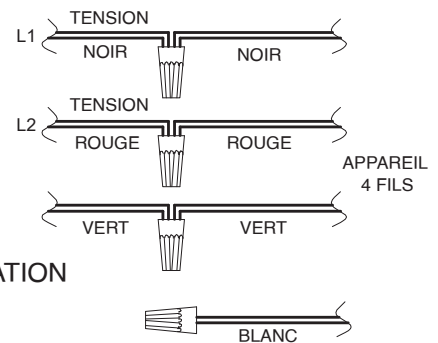


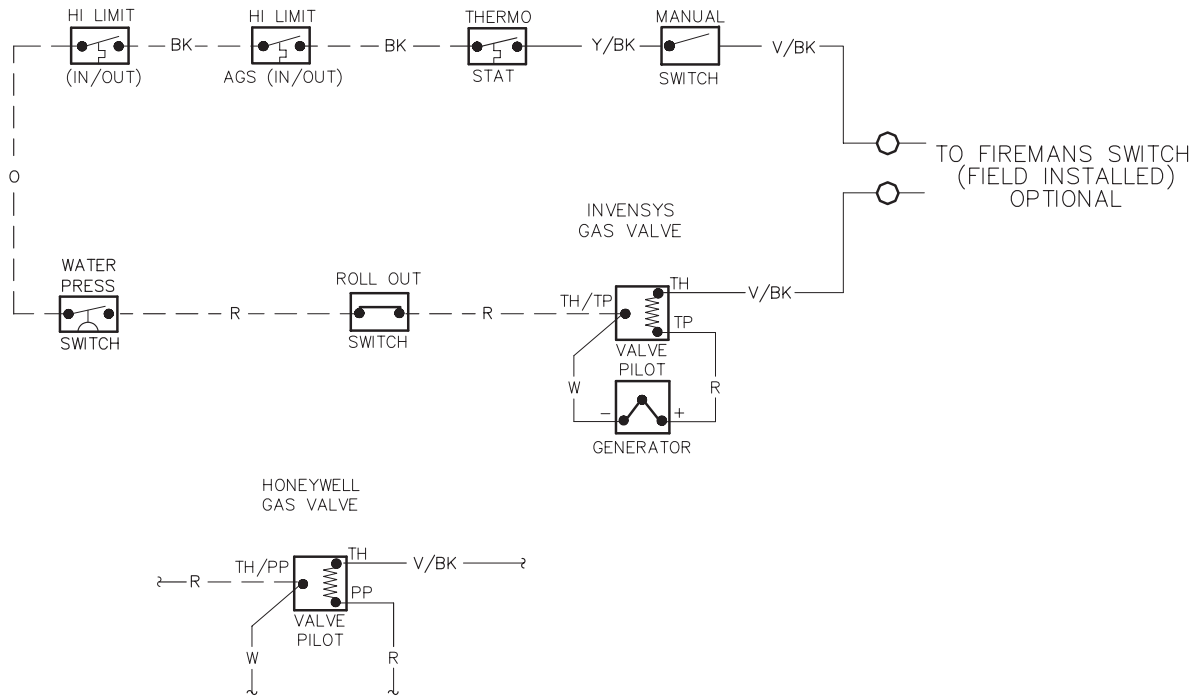
Figure 38. Raccordements à 240 VCA

L'appareil doit être mis à la terre et à la masse en conformité avec les codes locaux ou, en l'absence de codes locaux, en conformité avec le « National Electrical Code, ANSI/NFPA 70 » aux États-Unis, ou le « Code canadien de l'électricité CSA C22.1 », parties 1 et 2, au Canada.

**ATTENTION:** si le primaire du transformateur est câblé pour le 120 VCA et qu'une tension de 240 VCA lui est appliquée, le transformateur et la carte électronique risquent d'être endommagés. Ces dommages ne sont pas couverts par la garantie limitée du fabricant.

**NOTE:** l'alimentation de l'appareil (120 ou 240 VCA) peut provenir du côté charge (côté pompe, en aval de la minuterie) ou directement à partir d'une source à DDFT. **Il est préférable que l'appareil soit alimenté en continu par une source à DDFT et que sa mise en marche soit commandée par la minuterie ou un thermostat externe à deux ou trois fils.** Si l'appareil est alimenté par une source à DDFT commutée, le module de commande pourrait afficher des codes d'erreurs incorrects lors de l'arrêt de la pompe.

# 6. SCHÉMA DE CÂBLAGE - MILLIVOLT



APPROVED BY:	
CHECKED BY:	
ORIG E.O. 3207	
9/14/98	
CHG E.O. 3434	
9/28/04	

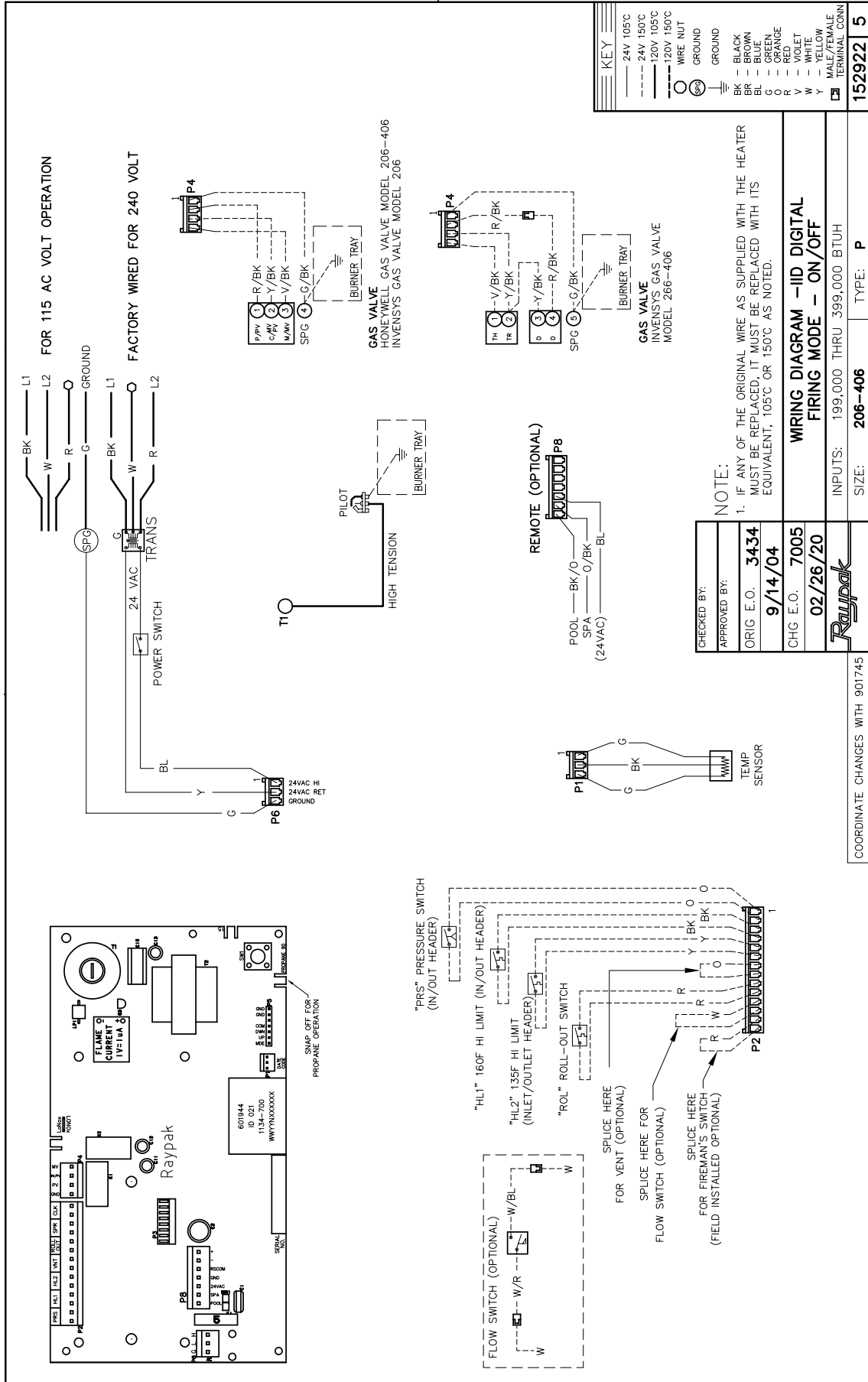
<b>REPLACE WIRING WITH 105°C WIRE OR 150°C WIRE AS NOTED</b>	
WIRING DIAGRAM STANDING PILOT MILLIVOLT	
HEATER INPUTS: 199,500 THRU 399,000 BTUH	
HEATER SIZE: 206-406	HEATER TYPE: P

KEY	
————	105°C
- - - -	150°C
○	WIRE NUT
BK	- BLACK
BR	- BROWN
BL	- BLUE
G	- GREEN
O	- ORANGE
R	- RED
V	- VIOLET
W	- WHITE
Y	- YELLOW
V/BK	- VIOLET WITH BLACK STRIPE
Y/BK	- YELLOW WITH BLACK STRIPE

152426	1
--------	---

# 7. SCHÉMA DE CÂBLAGE - NUMÉRIQUE

APPROVED



152922 5

## 8. COMMANDES

APPROVED

**NOTE:** prenez garde de ne pas endommager les commandes ou le câblage.

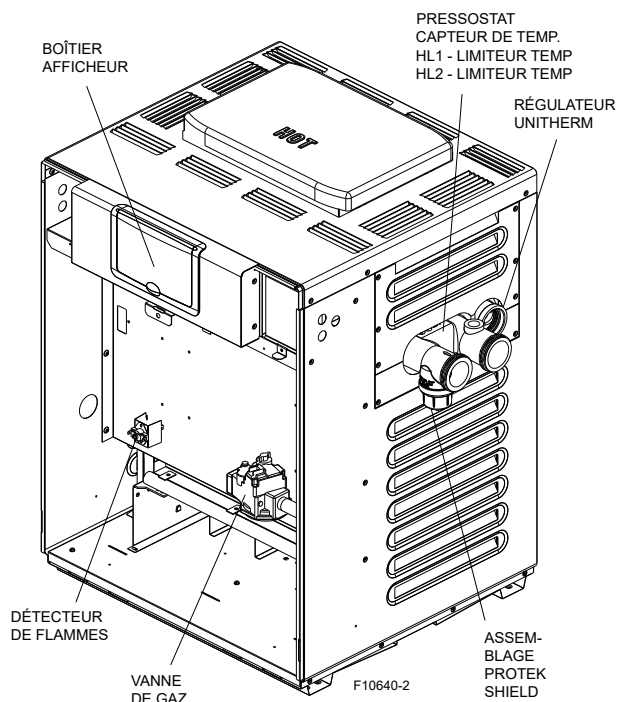


Figure 39. Emplacement des commandes (1)

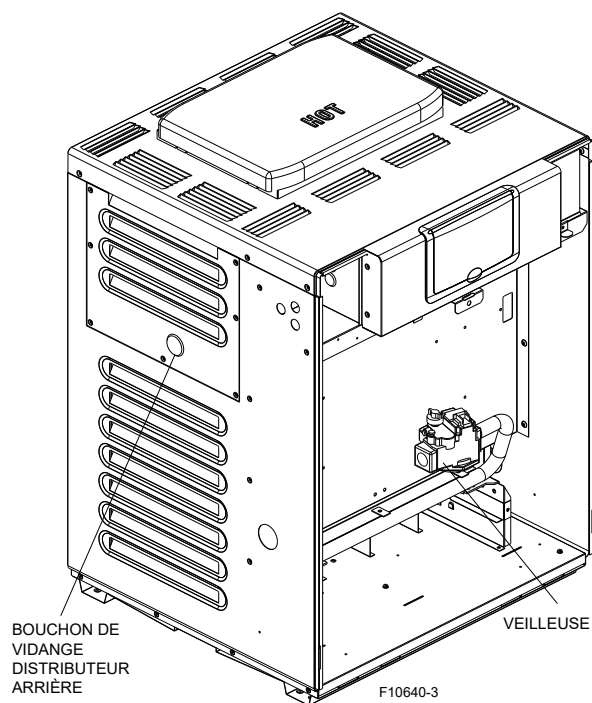


Figure 40. Emplacement des commandes (2)

### Retrait du panneau de commande

1. Retirez la vis du panneau avant. Déposez le panneau à l'écart pendant l'entretien.
2. Retirez les 4 vis des côtés du panneau de commande.
3. Faites pivoter le panneau de commande vers le bas, ne la forcez pas.

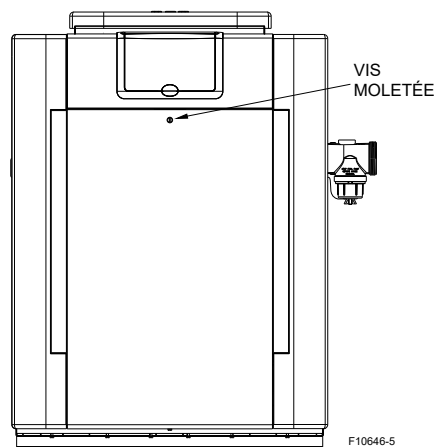
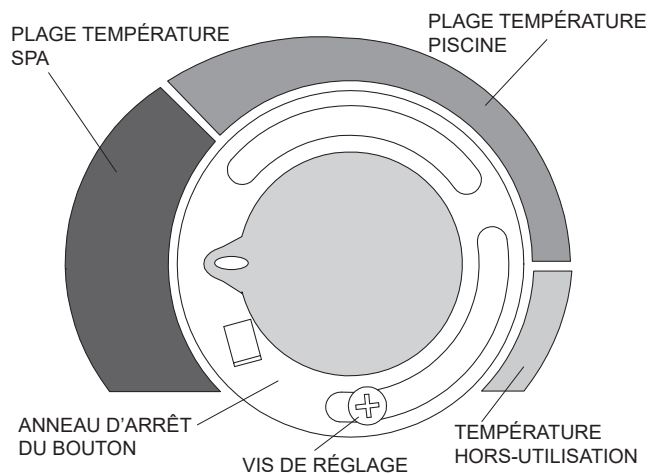


Figure 41. Emplacement de la vis moletée

### Réglage de la vanne de gaz - Modèles millivolt

La température de l'eau est réglée par le thermostat de l'appareil, qui se trouve sur son panneau supérieur avant. Le module de commande contient un interrupteur marche/arrêt et un thermostat.

Le thermostat est équipé d'un limiteur de température. Pour régler la bague de réglage de l'arrêt du bouton, illustrée ci-dessous, desserrez la vis de réglage, faites pivoter la bague de réglage de l'arrêt du bouton et resserrez la vis de réglage.

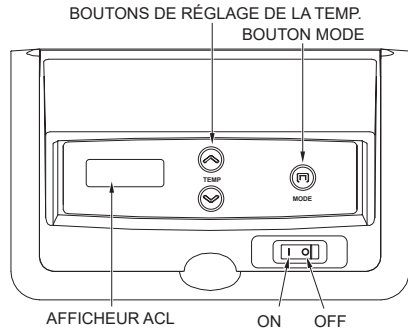


ILLUSTRÉ AVEC RÉGLAGE DANS LA PLAGES DE TEMPÉRATURES DU SPA.

Figure 42. Ajustement du bouton de réglage - Modèles millivolt

## Ajustement du bouton de réglage - Modèles numériques

L'interface tactile, située sur le panneau avant supérieur de l'appareil permet à l'utilisateur de sélectionner le mode POOL ou SPA et de régler la température de consigne. L'écran ACL indique le mode (OFF, SPA, POOL) et la température réelle de l'eau. On retrouve sous l'interface tactile un interrupteur d'alimentation manuel qui permet de mettre sous tension ou d'éteindre le module de commande. Voir **Figure 43**.



**Figure 43. Ajustement du bouton de réglage - Modèles numériques**

### Bouton Mode

Le bouton Mode permet de sélectionner POOL ou SPA. Il permet également d'éteindre l'appareil, ce qui permet à l'écran ACL de rester sous tension et de continuer à afficher la température réelle de l'eau.

### Boutons de réglage de la température

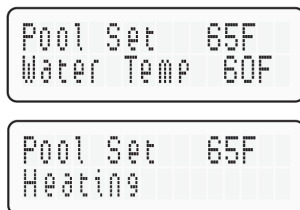
Si l'appareil est en mode POOL ou SPA, la température de consigne (SETPOINT) s'affiche et peut être réglée à l'aide des touches UP ou DOWN.

### Utilisation

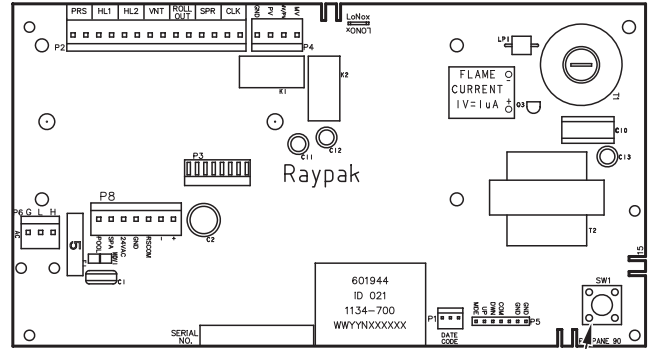
Aux modes POOL ou SPA, la température réelle de l'eau et la température de consigne (SETPOINT) s'affichent. Lorsque la température de l'eau est supérieure au point de consigne, "Water Temp" et "No Demand" s'affichent en alternance. Lorsque la température de l'eau est inférieure au point de consigne, "Water Temp" et "Heating" s'affichent en alternance.

Pour régler la température de consigne, assurez-vous que le mode approprié (POOL ou SPA) est sélectionné et appuyez sur la touche UP ou DOWN.

La plage de réglage par défaut est de 50 à 104°F (10 à 40°C). Lire le paragraphe du réglage MAX à la **page 28** pour augmenter la valeur MAX, si requis.



**Figure 44. Alternance de l'affichage durant le chauffage**



Bouton de programmation (SW1)

**Figure 45. Bouton de programmation du thermostat (SW1)**

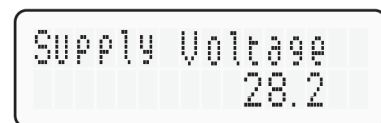
### Menu d'entretien et historique des erreurs

Pour accéder au menu d'entretien et à l'historique des erreurs, appuyez simultanément sur les boutons Mode et UP pendant 3 à 5 secondes. L'appareil continue à fonctionner normalement quand le menu Service est sélectionné. Le premier écran affiche l'intensité du signal généré par le détecteur de flamme. Un signal inférieur à 4 µA est faible et peut nécessiter un entretien. Reportez-vous à la section Dépannage pour connaître les causes possibles et les correctifs.



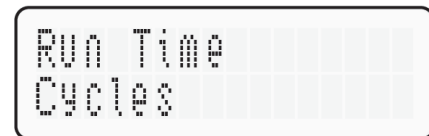
**Figure 46. Intensité du signal de flamme**

Appuyez sur la touche DOWN. Cet écran indique la tension mesurée à la carte électronique. Les valeurs normales sont de 24 à 29 V.



**Figure 47. Tension d'alimentation**

Appuyez sur la touche DOWN. Cet écran affiche le nombre total d'heures de fonctionnement de l'appareil (durée d'alimentation de la vanne de gaz). Le nombre de cycles correspond au nombre de cycles marche/arrêt de l'appareil (nombre de mises sous tension de la vanne de gaz).



**Figure 48. Durée et cycles de fonctionnement**

Appuyez sur la touche DOWN. L'historique des 10 plus récents codes d'erreur s'affichent. Le plus récent code d'erreur est celui indiqué par "Fault Last"; les codes suivants s'affichent en ordre chronologique. La deuxième ligne affiche le message d'erreur. S'il n'y a pas d'erreur en mémoire, la deuxième ligne indique "All Faults Clear".



Figure 49. Historique des codes d'erreurs

## Bouton de programmation

1. Retirez les quatre vis qui retiennent le couvercle du panneau de commande et faites-le pivoter vers le bas pour exposer la carte électronique. Localisez le bouton de programmation (SW1) voir **Figure 45**. Appuyez longuement sur le bouton pendant 5 à 7 secondes jusqu'à ce que SET FACTORY DEFAULTS s'affiche à l'écran. Relâchez le bouton de programmation.
2. Appuyez séquentiellement sur la touche MODE jusqu'au menu désiré. Ce bouton permet de programmer cinq éléments différents, comme illustrés en séquence à la **Figure 50**.

Set Factory Defaults	Réinitialise les paramètres d'usine.
Defaults Set	
Clear Faults	
Faults Cleared	Réinitialise les erreurs du fichier d'historique.
Fahrenheit	
Celsius	Sélection Fahrenheit / Celsius.
Spa Max Temp 104F	Réglage max. du point de consigne SPA.
Pool Max Temp 104F	Réglage maximum du point de consigne PISCINE.

Figure 50. Paramètres programmables

### Réinitialiser les valeurs par défaut

Reportez-vous à la première étape ci-dessus pour accéder à l'écran de programmation. SET FACTORY DEFAULT devrait s'afficher à l'écran. Si cela ne se produit pas, appuyez sur le bouton MODE jusqu'à ce que ce message s'affiche à l'écran. Appuyez longuement sur le bouton pendant 5 à 7 secondes jusqu'à ce que DEFAULT SET s'affiche. Cette manipulation réinitialise les paramètres d'usine par défaut.

Par exemple, les points de consigne POOL et SPA reviennent à 18°C (65°F) et les réglages de température maximale POOL et SPA à 104°F (40°C). Le code NIP de verrouillage du module de commande est effacé et le module retourne à son mode de fonctionnement normal.

### Effacement des erreurs

Reportez-vous à la première étape ci-dessus pour accéder à l'écran de programmation. Appuyez sur la touche MODE jusqu'à ce que "CLEAR FAULTS" s'affiche à l'écran. Appuyez longuement sur les bouton UP et DOWN pendant 5 à 7 secondes jusqu'à ce que FAULTS CLEARED s'affiche. Cette manipulation efface l'historique des erreurs.

### Fahrenheit ou Celsius

Reportez-vous à la première étape ci-dessus pour accéder à l'écran de programmation. Appuyez sur la touche MODE jusqu'à ce que FAHRENHEIT ou CELSIUS s'affiche à l'écran. Les touches UP ou DOWN permettent de basculer entre Fahrenheit et Celsius. Sélectionnez l'unité de température souhaitée.

### Réglage maximum du point de consigne SPA

Reportez-vous à la première étape ci-dessus pour accéder à l'écran de programmation. Appuyez sur la touche MODE jusqu'à ce que SPA MAX TEMP s'affiche à l'écran. Appuyez sur les touches UP ou DOWN pour régler la température maximale à la valeur souhaitée. La valeur maximum admissible est de 107 °F (42°C).

### Réglage maximum du point de consigne PISCINE

Reportez-vous à la première étape ci-dessus pour accéder à l'écran de programmation. Appuyez sur la touche MODE jusqu'à ce que POOL MAX TEMP s'affiche à l'écran. Appuyez sur les touches UP ou DOWN pour régler la température maximale à la valeur souhaitée. La valeur maximum admissible est de 107 °F (42°C).

### Verrouillage de la commande

La commande de l'appareil est équipé d'une fonction de verrouillage empêchant toute altération ou réglage non autorisé des paramètres. Pour verrouiller ces paramètres, appuyez sur le bouton DOWN et MODE pendant 5 secondes. Définissez un code NIP à trois chiffres, en utilisant les touches haut et bas pour sélectionner les chiffres et la touche MODE pour confirmer les sélections. Confirmez votre sélection pour enregistrer le NIP.

Pour déverrouiller les paramètres, appuyez sur n'importe quel bouton pour afficher le menu ENTER PIN. Entrez le code NIP utilisé pour verrouiller la commande. À noter: la coupure de l'alimentation électrique ne réinitialise pas le verrouillage. À la suite du déverrouillage, l'écran affiche "LOCKOUR CLEARED". À la suite de l'entrée d'un NIP invalide, l'écran affiche "INVALID PIN".

En cas de perte du code NIP, sélectionnez SET FACTORY DEFAULTS dans le menu de programmation. Cela réinitialisera le NIP, lancera le fonctionnement normal de l'appareil et permettra la sélection d'un nouveau code NIP, si désiré.



**NOTE:** les points de consigne POOL et SPA reviennent à 18°C (65°F) et les réglages de température maximale POOL et SPA à 104°F (40°C). Ces paramètres doivent être réglés à nouveau, au besoin.

**NOTE:** l’afficheur ACL peut afficher une température différente de celle du thermomètre de la piscine ou du spa. La température affichée est lue au raccord d’entrée d’eau. Ainsi, la température de l’eau à l’entrée de l’appareil peut différer de celle observée à un endroit donné de la piscine ou du spa.

## Statut et diagnostic

Les modèles numériques affichent une variété de messages d’état et diagnostiques.

Les messages de statut suivants s’affichent aux modes Pool, Spa et Remote lorsqu’il n’y a aucun message d’erreur actif.

Afficheur	Condition
Heating	Appel de chaleur déclenché, flammes présentes.
Spark	Allumage en cours.
No Demand	Demande de chaleur satisfaite.

Tableau O. Messages de statuts - Aucune erreur active

Voici les messages d’état pouvant s’afficher dans les modes Piscine, Spa et Remote.

Afficheur	Condition
Sensor Failure	Écart entre les températures des thermistances supérieur à 2°F (1°C).
Sensor Open	Échec thermistance en position ouverte. Au-dessous de -20 °F (-29 °C).
Sensor Short	Échec thermistance en position fermée. Au-dessus de 217°F (103°C).
Flame w/o CFH	Carte détecte la flamme lorsque la vanne à gaz est supposée être fermée.
PV Output Fault	L’état de la veilleuse diffère de ce qui est commandé.
MV Output Fault	L’état de la vanne du gaz diffère de ce qui est commandé.
LoNox Tab Fault	Tension détectée à la borne Lo NOx d’un appareil non Lo-NOx (l’onglet Lo NOx est intact).
Internal Fault	Défaut de la carte électronique, la remplacer.
EEPROM Fault	Erreur module de mémoire, réinitialisez la carte ou la remplacer.
Clock/Fireman Sw	Le circuit de la minuterie est ouvert.
Low Temp Lockout	Température de l’eau inférieure à 36°F (2°C).

Tableau P. Messages de statuts - Erreurs actives

Les messages suivant s’affichent uniquement lors d’un appel de chaleur.

Afficheur	Condition
Water Sw Open	Détecteur de pression d’eau ouvert.
Vent/Field Sw #1	Pressostat d’évacuation #1 ouvert.
Limiteur temp. #1 ouvert.	Limiteur temp. #1 ouvert.
Limiteur temp. #2 ouvert.	Limiteur temp. #2 ouvert.
Détecteur de flammes ouvert.	Détecteur de flammes ouvert.
Flow/Field SW #2	Débitmètre optionnel #2 ouvert.
Ignition Lockout ()	<b>Alternance avec “No pilot sensed”</b> - Flamme veilleuse non établie dans le délai requis (15 ou 90 sec). <b>Alternance avec “Main Ign Failure”</b> - Flamme veilleuse perdue lors de l’essai d’allumage du brûleur de 8 sec.
Ignition Failure ()	<b>Alternance avec “No pilot sensed”</b> - Flamme veilleuse non établie dans les 90 sec.
Ign 60 min Delay ()	<b>Alternance avec “Main Ign Failure”</b> - Flamme veilleuse perdue à 4 reprises lors d’un essai d’allumage du brûleur de 8 sec. Verrouillage temporaire de 60 minutes avant prochain essai.

Tableau Q. Messages de statuts - Appel de chaleur

## Déclenchement limiteur de temp.

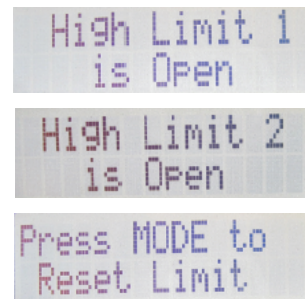


Figure 51. Déclenchement limiteur de temp.

INFO DÉCLENCHEMENT DU LIMITEUR
<p><b>Le déclenchement du limiteur nécessite une réinitialisation manuelle:</b> pour réinitialiser, appuyez sur MODE.</p> <p><b>Conseils pour prévenir un déclenchement de limiteur:</b></p> <ol style="list-style-type: none"> <li>Assurez-vous que la pompe de recirculation fonctionne lors d’un cycle de chauffage.</li> <li>La pompe doit s’arrêter dans les 5 minutes suivant la fin d’un cycle de chauffage.</li> </ol> <p>Le non-respect de ces conditions peut entraîner une surchauffe pouvant causer le déclenchement du limiteur. Si cette situation persiste, communiquez avec un technicien d’entretien.</p>

## Installation et utilisation d'un thermostat externe

**ATTENTION:** cet appareil à module de commande numérique peut être commandé par un thermostat externe, dans la majorité des cas. L'écran affiche la température actuelle de la piscine, l'état de fonctionnement et les codes d'entretien, voir Figure 52. Les touches du panneau de commande permettent de sélectionner la température de consigne de la piscine ou du spa. Le cas échéant, l'écran de l'appareil indique qu'il est commandé à distance (**Remote**). Avant de raccorder l'appareil à un thermostat externe, vérifiez s'il s'agit d'un système à deux ou trois fils. Suivez les instructions appropriées ci-dessous pour correctement raccorder le thermostat externe à l'appareil.

### Commande par thermostat externe (modèles numériques)

Cet appareil est équipé d'une interface permettant le raccordement à un thermostat externe. Il est équipé d'un connecteur à 7 broches dont l'un des câbles peut alimenter un commutateur externe ou les contacts d'un thermostat externe. Il s'agit d'un simple circuit de commande en série qui peut être ouvert ou fermé. Le thermostat externe ne doit pas mettre l'appareil sous tension, il doit seulement effectuer la fonction de commutation marche/arrêt. **Un thermostat externe qui met l'appareil sous tension n'est pas admissible, car cela risque d'endommager sa carte électronique.**

Pour commander l'appareil via ses sondes internes et une minuterie, voir "Minuterie", à la page 31.

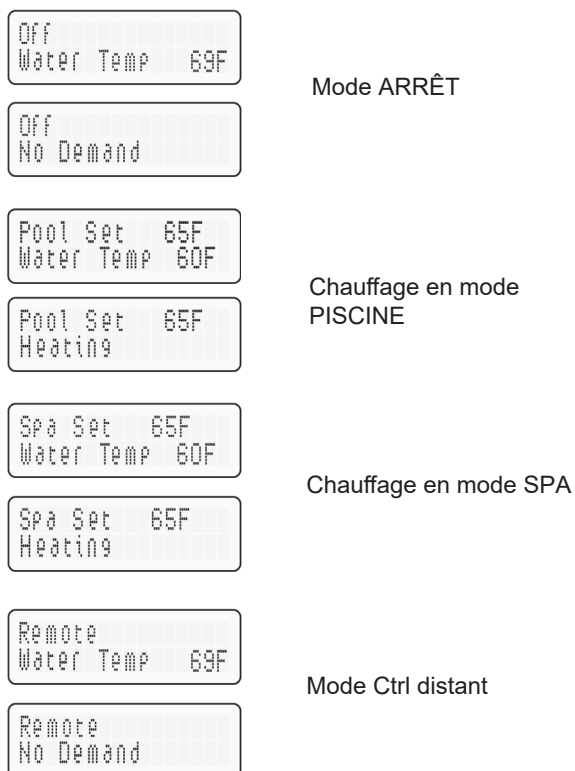


Figure 52. Menu thermostat externe - Commande à distance

## APPROVED

Les modèles millivolt ne sont pas conçus pour être commandés par un thermostat externe.

### Activation du thermostat

Pour activer ou désactiver la commande à distance:

1. Appuyez sur les touches UP et DOWN pendant 3 à 5 sec.

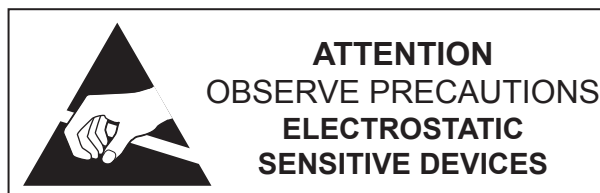
La 2e ligne de l'écran s'affiche même lorsque l'appareil est éteint ("No Demand").

**NOTE:** lorsque l'appareil est commandé à distance par un thermostat externe, les touches Mode et du réglage de la température du module sont désactivées.



Figure 53. Menu thermostat externe - Activation

### Câblage thermostat externe - modèles numériques



**ATTENTION:** une décharge électrostatique peut endommager le câblage ou la carte électronique par contact direct ou indirect. Une personne à proximité de l'appareil pourrait avoir accumulé une charge électrostatique. Un éventuel contact d'un doigt pourrait causer une décharge et endommager l'appareil. Pour éviter ce type de dommage, la personne effectuant l'entretien doit se décharger, par exemple en touchant au boîtier métallique de l'appareil pendant 5 secondes avant de procéder.

#### Notes d'installation importantes pour le câblage d'un thermostat externe:

- Le câblage du thermostat externe doit être acheminé dans un conduit séparé.
- Le câblage du thermostat externe ne doit pas être acheminé à proximité de câbles sous tension.
- Pour une distance d'acheminement inférieure à 30 pi (9 m), utilisez des conducteurs torsadés (spires de 1,5 à 2,5 po) et gainés de calibre minimum 22 AWG, 600 V.
- Pour une distance d'acheminement supérieure à 30 pi (9 m), utilisez des conducteurs torsadés (spire de 1,5 à 2,5 po) et gainés de calibre minimum 20 AWG, 600 V.
- Longueur maximale de câble admissible: 200 pi (61 m).
- Qu'il s'agisse d'un thermostat à deux ou trois fils,

il faut le raccorder au connecteur à 7 broches qui équipe l'appareil.

**NOTE: les câbles du thermostat externe doivent être raccordés au connecteur à 7 broches avant le raccordement du connecteur à la carte.**

### Thermostat à deux fils (marche/arrêt)

Ces instructions supposent qu'une seule fonction de chauffage est requise (piscine ou spa).

1. Mettez l'appareil en marche.
2. Dans le cas d'un thermostat à 2 fils sans capteur de température, appuyez sur la touche MODE pour atteindre le mode "POOL" ou "SPA" et sélectionnez la température de consigne souhaitée.
3. Dans le cas d'un thermostat à 2 fils avec capteur de température, appuyez sur la touche MODE pour atteindre le mode "POOL" ou "SPA" et réglez la température de consigne à sa plus haute valeur. Dans ce cas, c'est le thermostat externe qui régulera la température de consigne.
4. Mettez l'appareil à l'arrêt (touche MODE OFF) et coupez l'alimentation électrique.
5. Depuis le harnais de câble à 3 fils pour thermostat externe, connectez le fil BLEU d'un côté du thermostat et l'autre côté au fil ORANGE/NOIR dans le cas d'un SPA ou au fil NOIR/ORANGE pour une PISCINE. Voir Figure 54.

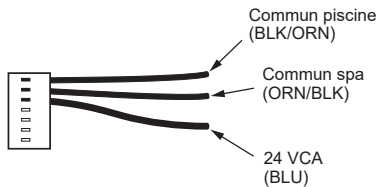


Figure 54. Harnais de câble à 7 broches pour thermostat externe

6. Vissez une marrette au fil inutilisé de harnais de câble à 3 fils pour thermostat externe.
7. Connectez le harnais de câble à 7 broches pour thermostat externe au connecteur P8 et mettez l'appareil à ON, voir Figure 55.

Pour activer le thermostat externe, reportez-vous à la section , page 30.

### Thermostat externe à 3 fils et à commutateur à 3 positions (Pool-Off-Spa ou Low-Off-High)

Ces instructions supposent que les deux fonctions de chauffage sont requises (piscine et spa).

1. Mettez l'appareil en marche.
2. Appuyez sur la touche MODE pour sélectionner POOL ou SPA et réglez la température désirée (ex.: 80°F (27°C) pour la piscine et 102°F (39°C) pour le spa).

3. Mettez l'appareil à l'arrêt (touche MODE OFF) et coupez l'alimentation électrique.

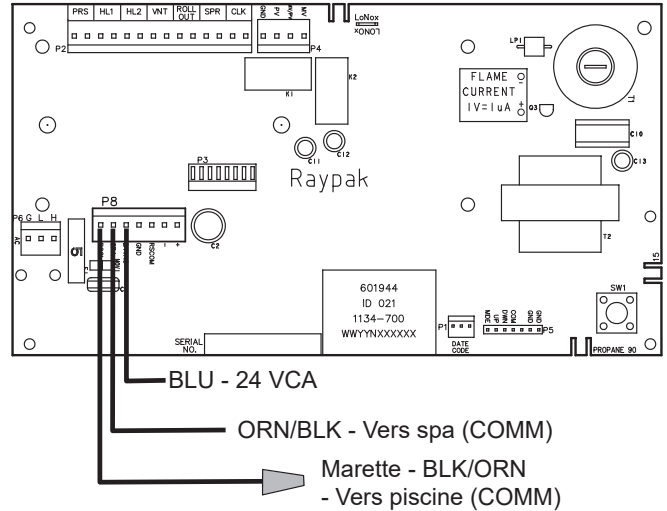


Figure 55. Connexion du harnais de câble d'un thermostat à 2 fils au connecteur P8

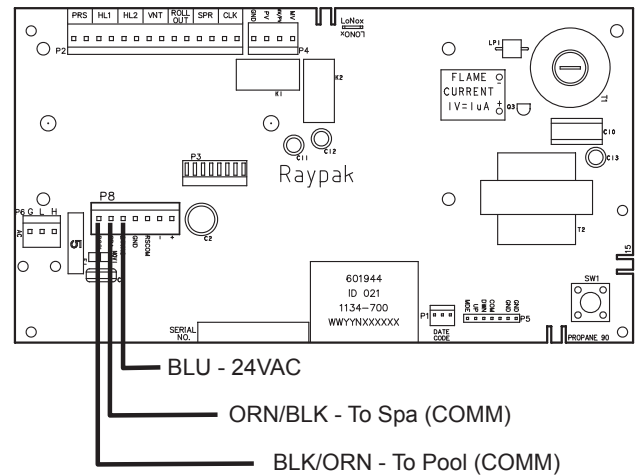


Figure 56. Connexion du harnais de câble d'un thermostat à 3 fils au connecteur P8

4. Depuis le harnais de câble à 3 fils pour thermostat externe, connectez le fil BLEU d'un côté du thermostat et l'autre côté au fil ORANGE/NOIR dans le cas d'un SPA ou au fil NOIR/ORANGE pour une PISCINE. Voir Figure 54.
5. Connectez le harnais de câble 3 fils pour thermostat externe au connecteur P8 et mettez l'appareil à ON, voir Figure 56.

Pour activer le thermostat externe, reportez-vous à la section , page 30.

### Minuterie

Pour faire fonctionner l'appareil à l'aide d'une minuterie, connectez-la au connecteur correspondant. La minuterie doit être à interrupteur double et doit mettre fin à l'appel à la chaleur de l'appareil de 15 à 20 minutes avant l'arrêt de la pompe de piscine.

## APPROVED

Modèles millivolts: la connexion avec la minuterie s'effectue via le capuchon de connexion (marquette) du câble Violet/Noir entre le commutateur manuel et la vanne de gaz.

Modèles numériques, la connexion de la minuterie se trouve sur le connecteur à 14 broches de la carte électronique. Raccordez la minuterie au fil cavalier violet marqué, lorsque requis.

**La minuterie doit être à contact sec (modèles millivolt et numérique) et ne doit pas alimenter l'appareil de chauffage. L'utilisation d'une minuterie avec source d'alimentation externe peut cause des dommages qui ne sont pas couverts par la garantie.**

Modèles millivolts: la longueur du câblage ne peut être supérieure à 15 pi (4,5 m) avec un câble en cuivre torsadé de 14 AWG, température nominale de 221°F (105°C).

Modèles numériques: la longueur du câblage ne peut être supérieure à 15 pi (4,5 m) avec un câble en cuivre torsadé de 14 AWG, température nominale de 221°F (105°C).

**NOTE:** lors de l'utilisation d'une minuterie, l'appareil affiche "Clock/Fireman Sw" lorsque le circuit est ouvert, ce qui indique que la minuterie bloque les appels de chaleur.

## Détecteur de pression d'eau

Le débitmètre assure que l'appareil chauffe uniquement lorsque la pompe de filtration tourne. Il se trouve sur le distributeur d'entrée/sortie. Il est réglé en usine à 1,75 PSI pour une installation près de la surface de l'eau.

### Réglage du détecteur de pression d'eau

Lorsque l'appareil est positionné sous le niveau du spa ou de la piscine, il peut être nécessaire de régler le détecteur pour compenser la pression statique. Procédure de réglage du détecteur de pression (si requis):

1. Assurez-vous que le filtre de piscine est propre avant de régler le détecteur de pression.
2. Réglez la commande de chauffage à OFF.
3. Mettez la pompe en marche et confirmez la fermeture du détecteur de pression, à l'aide d'un multimètre). Si le détecteur de pression ne se ferme pas, soit le réglage du détecteur est trop élevé, soit la pompe de filtration fournit une pression insuffisante.
4. Mettez l'appareil en marche.
5. Faites pivoter le bouton de réglage de la pression dans le sens horaire jusqu'à ce que l'appareil s'éteigne (un tournevis plat peut être requis si le bouton est trop serré).
6. Faites lentement pivoter le bouton de réglage dans le sens antihoraire jusqu'au déclenchement d'un appel de chaleur.
7. Faites pivoter sur un demi-tour supplémentaire dans le sens antihoraire.
8. Pendant que l'appareil fonctionne, vérifiez le

réglage en éteignant et en allumant la pompe à plusieurs reprises. Les brûleurs doivent s'éteindre immédiatement lorsque la pompe s'arrête. Si ce n'est pas le cas, répétez les étapes ci-dessus jusqu'à l'observation du fonctionnement approprié.

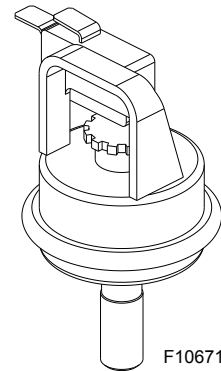


Figure 57. Assemblage du détecteur de pressions d'eau

**NOTE:** les panneaux d'accès en métal doivent être en place en tout temps pour protéger détecteur de pression d'eau de la pluie et des éléments.

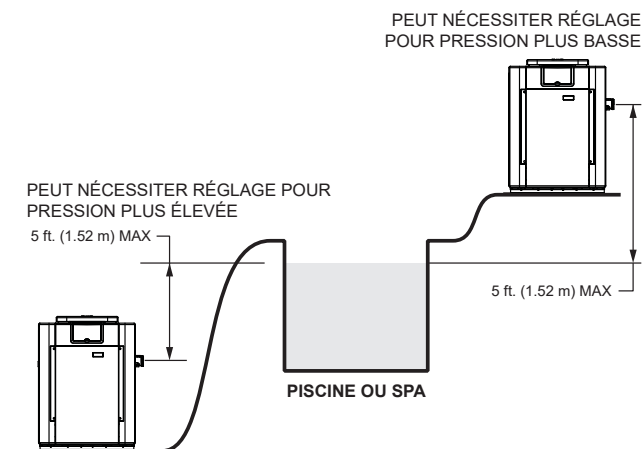


Figure 58. Configurations nécessitant un réglage

**NOTE:** si l'appareil est installé au-delà des limites indiquées, un détecteur de pression d'eau plus puissant (11 psi/76 kPa) peut être requis. Il est aussi possible d'utiliser un débitmètre monté à proximité de l'appareil, au lieu du détecteur de pression d'eau monté en usine. Voir la "LISTE DES PIÈCES" à la page 46 pour le détecteur de pression d'eau de 11 psi/76 kPa.

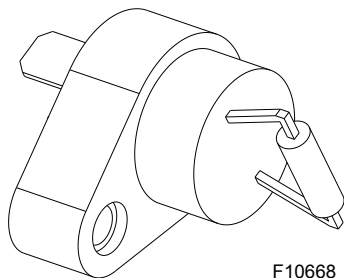
### Pompes à deux vitesses

Dans certains cas, le débit à basse vitesse est insuffisant pour faire fonctionner l'appareil. Cela est évident lorsque les limites du détecteur de pression d'eau sont atteintes ou si l'appareil émet des bruits sourds ou s'éteint à la limite supérieure. Dans ces cas, la pompe doit être mise en marche à grande vitesse lors du chauffage de l'eau.

**ATTENTION:** ne faites pas fonctionner l'appareil sans détecteur de pression d'eau ou débitmètre correctement calibré.

## Détecteur de flammes

L'appareil est équipé d'un dispositif de coupure thermique qui prévient un échappement de flammes en cas de blocage de l'échangeur de chaleur. Il s'agit d'un fusible à usage unique qui doit être remplacé à la suite de son déclenchement, par exemple en cas de restriction excessive dans l'échangeur de chaleur.



F10668

Figure 59. Détecteur de flammes

## Limiteurs de température

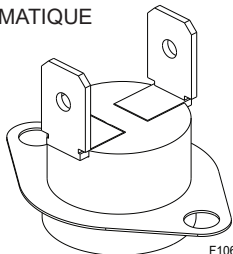
Cet appareil est équipé de deux limiteurs de température.

Sur les modèles résidentiels, les deux sont automatiques et se trouvent sur le distributeur d'entrée/sortie en polymère. Les deux sont réglés à 135°F (57°C).

Sur les modèles commerciaux, les deux se trouvent sur le distributeur d'entrée/sortie en polymère. HL1 est à réinitialisation automatique et se déclenche à 160°F (71°C). HL1 est à réinitialisation automatique et se déclenche à 135°F (57°C).

**NOTE:** l'ouverture erratique du limiteur de température peut être un symptôme d'un problème d'échangeur de chaleur (ex.: entartrage) ou d'une vanne de dérivation défectueuse. Reportez-vous à la section DÉPANNAGE à la page 40.

RÉINITIALISATION  
AUTOMATIQUE



F10669-2

Figure 60. Limiteurs de température

### Retrait du limiteur de température

1. Coupez l'alimentation électrique de l'appareil.
2. Retirez le panneau d'accès entrée/sortie en métal.
3. Enlevez le limiteur défectueux et remplacez-le.
4. Réinstallez le panneau d'accès.

## Détecteur de veilleuse, modèles millivolt

Les appareils à veilleuse permanente (système millivolt) sont équipés d'un dispositif de sécurité qui coupe l'alimentation en gaz du brûleur principal et de la veilleuse en cas d'extinction de leur veilleuse. La veilleuse doit être manuellement rallumée pour remettre l'appareil en marche. Reportez-vous aux instructions d'allumage appliquées sur l'appareil.

## Détecteur de veilleuse, modèles numériques

Cet appareil est équipé d'un détecteur de veilleuse qui ferme la soupape de gaz principale en moins de 0,8 sec lorsque la flamme de la veilleuse s'éteint. La veilleuse se rallume automatiquement lorsque l'appareil lance un cycle de chauffage. L'appareil effectue une vérification de sécurité afin de ne permettre l'allumage du brûleur qu'après la confirmation de l'allumage de la veilleuse.

## Retrait de l'assemblage du brûleur

1. Coupez l'alimentation électrique de l'appareil.
2. Coupez l'alimentation en gaz en amont de l'appareil.
3. Retirez le panneau avant.
4. Déconnectez la conduite de gaz de la vanne de gaz.
5. Retirez les 2 vis qui fixent l'assemblage du brûleur à l'appareil et les 2 vis qui fixent la vanne de gaz.
6. Déconnectez les fils raccordés à la vanne de gaz.
7. Déconnectez le fil haute tension de la carte électronique.
8. Retirez délicatement l'assemblage du brûleur.
9. Effectuez la procédure inverse pour réinstaller.

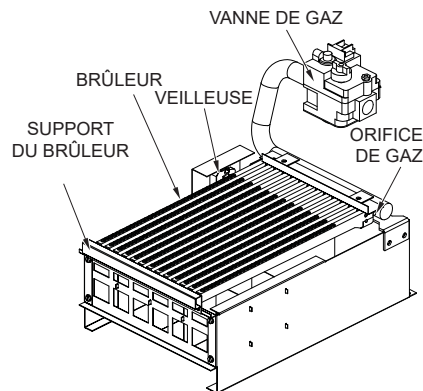


Figure 61. Assemblage du brûleur

## Retrait de la vanne de gaz

1. Coupez l'alimentation en gaz de l'appareil. Déconnectez la conduite de gaz du raccord de la vanne de gaz.
2. Déconnectez les fils et la conduite de la veilleuse.
3. Retirez l'assemblage du brûleur de l'appareil.

## Retrait de l'échangeur de chaleur

- Faites légèrement pivoter la section verticale de la conduite du gaz du distributeur et dévisser la vanne de gaz.
- Effectuez la procédure inverse pour réinstaller.

## Retrait du brûleur et de l'orifice

- Effectuez la procédure de retrait de l'assemblage du brûleur décrite ci-dessus.
- Retirez les vis et le support de retenue du brûleur.

**NOTE:** lorsque l'échangeur de chaleur est encrassé par de la suie, les supports et espaceurs peuvent surchauffer et devoir être remplacés.

- Soulevez les tubes du brûleur de leurs supports et sortez-les par les ouvertures correspondantes. Nettoyez-les avec une brosse métallique.
- Les orifices n'ont généralement pas besoin d'être remplacés. Pour les nettoyer, insérez fil de cuivre ou un cure-dent en bois dans l'orifice. **Ne pas** agrandir l'ouverture de l'orifice. Pour retirer l'orifice, utilisez une clé à douille et retirez-le du distributeur. **NE PAS** trop serrer lors de la réinstallation.

## Retrait et nettoyage de la veilleuse

- Déconnectez les fils et la conduite de la veilleuse de la vanne de gaz.
- Retirez la veilleuse de l'assemblage du brûleur.
- Retirez la veilleuse de son support.
- Retirez l'orifice de la veilleuse puis nettoyez-le avec un fil métallique ou une petite brosse.

**ATTENTION!** Ne pas agrandir l'ouverture de l'orifice de la veilleuse.

- Effectuez la procédure inverse pour réinstaller.

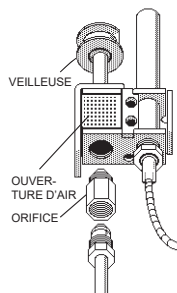


Figure 62. Veilleuse millivolt

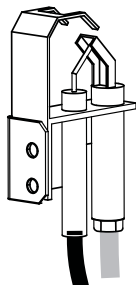


Figure 63. Veilleuse numérique

- Coupez l'alimentation en eau, en gaz et en électricité, fermez les vannes et libérez la pression du système. Retirez les panneaux d'accès côtés latéraux.
- Retirez les vis qui retiennent le panneau supérieur.
- Retirez le panneau supérieur.
- Retirez les vis qui fixent le pare-pluie sur le panneau arrière. Retirez aussi les vis qui fixent le pare-pluie à la plaque de renfort. Retirez le pare-pluie.
- Retirez les 4 vis qui retiennent le collecteur d'évacuation. Retirez le collecteur d'évacuation.
- Si l'assemblage ProTek Shield est monté à l'appareil, retirez les écrous de bride du distributeur d'entrée/sortie, retirez le fil de continuité des masses reliant le ProTek Shield à l'échangeur de chaleur et desserrez le raccord-union de la conduite de gaz pour déconnecter l'appareil.
- Soulevez l'échangeur de chaleur vers le haut en prenant soin de ne pas endommager l'enduit réfractaire.
- Effectuez la procédure inverse pour réinstaller. Assurez-vous de correctement replacer les bandes réfractaire.

## Nettoyage de la tubulure interne

Établissez une routine d'inspection périodique, en fonction de la qualité de l'eau et de l'intensité d'utilisation. Il s'agit d'éviter l'encrassement des tubulures internes; nettoyez les dépôts de plus de 1/16 po (1,6 mm) d'épaisseur.

Il est possible de nettoyer l'appareil depuis le raccord de retour du distributeur d'entrée/sortie. Il est toutefois préférable d'ouvrir les deux raccords pour obtenir un meilleur accès à la tubulure interne et éviter la dispersion du tartre dans le système. À noter: il n'est généralement pas requis de retirer pas le panneau supérieur ou l'échangeur de chauffage.

Après la première passe de nettoyage, montez la brosse métallique et nettoyez tout débris restant dans les tubes.

Une autre méthode consiste à enlever l'échangeur de chaleur, nettoyer les tubes et à immerger l'échangeur de chaleur dans une solution de détartrage non inhibée.



Pièces d'extension (2) Foret à pointe au carbure Brosse métallique

Figure 64. Kit de nettoyage des tubes (n° pièce 052871F)

## Procédure de ramonage

**AVERTISSEMENT:** la suie est combustible. Procédez avec précaution.

La suie peut obstruer les ailettes et provoquer une surchauffe et causer une défaillance des tubulures internes. La présence de suie à la base des brûleurs ou autour des panneaux externes signale un besoin de nettoyage.

1. Retirez le panneau supérieur et le collecteur d'évacuation de l'armoire.
2. Retirez les déflecteurs en V de l'échangeur de chaleur.
3. Retirez l'assemblage du brûleur, voir **page 33**.
4. Si l'assemblage ProTek Shield est fixé à l'appareil, déconnectez le fil de continuité des masses du ProTek Shield Assy des cosses de l'échangeur de chaleur.
5. Retirez l'échangeur de chaleur de l'appareil et rincez-le avec un boyau d'arrosage, en veillant à éliminer la saie entre les ailettes.
6. Effectuez la procédure inverse pour réinstaller.

**NOTE:** dans les cas d'extrême encrassement, il peut être nécessaire de nettoyer l'échangeur à la vapeur sous pression. NE PAS UTILISER DE BROSSE MÉTALLIQUE.

### Retrait de la chambre de combustion

Avant d'entreprendre le retrait de la chambre de combustion, il faut d'abord désinstaller l'échangeur de chaleur.

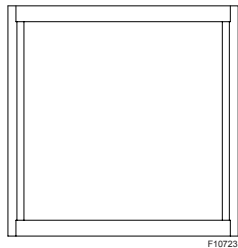


Figure 65. Panneaux réfractaires

**AVERTISSEMENT:** lors du retrait du brûleur ou de l'échangeur de chaleur, évitez de soulever de la poussière et d'inhaler d'éventuelles fibres en suspension dans l'air. Pour balayer un dégât, utilisez un balai humide ou un aspirateur muni d'un filtre à haute efficacité (HEPA) pour minimiser la mise en suspension de poussière dans l'air. Utilisez des techniques de contrôle de la poussière, comme l'utilisation d'un ventilateur d'extraction dans la pièce ou d'un système de collecte de la poussière pour minimiser la mise en suspension de poussière. Portez un équipement de protection individuelle approprié, y compris des gants, des lunettes de sécurité à protecteurs latéraux et une protection respiratoire certifiée NIOSH appropriée, afin d'éviter l'inhalation de poussière et de particules de fibres en suspension dans l'air.

### Remplacement du puits (millivolt)

1. Coupez l'alimentation en eau et vidangez l'échangeur de chaleur.
2. Retirez le panneau d'accès du côté des raccords d'eau.
3. Retirez l'ancien puits avec la douille et le manchon.
4. Installez le puits de remplacement dans sa cavité.

**NOTE:** pour l'installation d'un distributeur d'entrée/sortie en polymère, serrez à la main plus 1/2 tour.

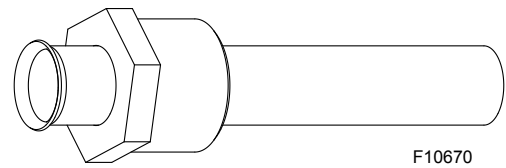


Figure 66. Remplacement du puits du régulateur Unitherm

### Remplacement du régulateur Unitherm

1. Coupez l'alimentation en eau, en gaz et en électricité, fermez les vannes et libérez la pression du système.
2. Drainez l'échangeur de chaleur.
3. Retirez le bouchon de vidange situé à côté du raccord de sortie (modèles à distributeur d'entrée/sortie en polymère).
4. Retirez l'ancien régulateur pour retirer le bouchon de vidange. Insérez le nouveau régulateur.
5. Réinstallez le bouchon de vidange, en prenant soin de lubrifier le joint d'étanchéité avec une graisse non pétrolière, ex.: AquaLube.

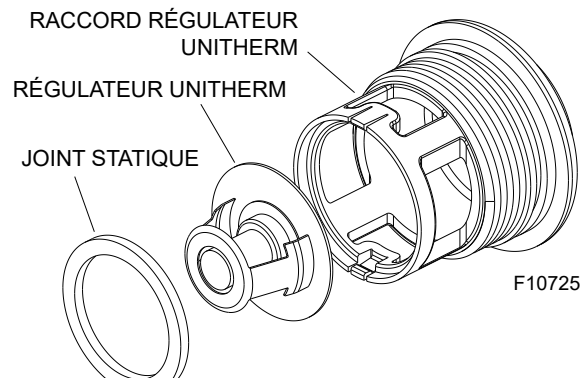


Figure 67. Régulateur Unitherm (polymère)

Pour vérifier le bon fonctionnement du régulateur Unitherm, placez-le dans de l'eau chaude à plus de 43°C (110 °F) et surveillez le mouvement du ressort. S'il n'y a aucun mouvement, remplacez-le.

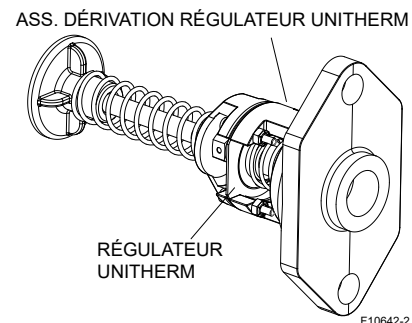


Figure 68. Ass. du régulateur Unitherm / vannes de dérivation (ASME)

**NOTE:** si le régulateur Unitherm d'un modèle à échangeur en bronze (ASME) doit être remplacé, il faut remplacer l'assemblé entier du régulateur / vanne de dérivation.

## 9. INSTRUCTIONS D'UTILISATION

### Avant la mise en marche

#### Brûleurs

Assurez-vous que les lieux d'installation de l'appareil sont exempts de matières combustibles, de liquides inflammables et de produits chimiques. NE PAS restreindre l'apport d'air comburant ou de ventilation.

#### Alimentation en eau

L'eau doit circuler à travers l'appareil pendant son fonctionnement. Assurez-vous que le système est rempli d'eau et que la pompe fonctionne.

#### Procédure de mise en marche

Cet appareil a été conçu pour chauffer de façon sûre et fiable l'eau de votre piscine/spa pendant de nombreuses années. Il peut être équipé d'un système d'allumage millivolt ou électronique. Les modèles certifiés ASME sont habituellement réservés aux applications commerciales. Ce manuel fournit des informations sur l'installation, le fonctionnement, l'entretien et la réparation de cet appareil.

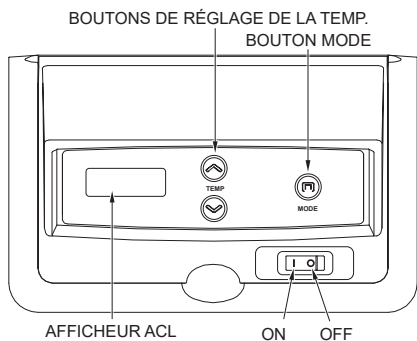


Figure 69. Interrupteur de l'appareil

Si l'appareil est correctement installé, il est très facile de le faire fonctionner. On retrouve au haut du panneau avant une interface de commande qui permet d'allumer ou d'éteindre l'appareil et de sélectionner les paramètres de fonctionnement de la piscine ou du spa. La plage de réglage de la température est définie en usine entre 65°F (18°C) et 104°F (40°C). Voir **Figure 69** pour connaître l'emplacement de l'interrupteur de mise en marche et d'arrêt de l'appareil.

Reportez-vous à la **Section 8** pour plus de détails sur l'utilisation du module de commande.

#### Après la mise en marche

Touchez aux tuyaux d'entrée et de sortie d'eau. Le tuyau de sortie doit être légèrement plus chaud que le tuyau d'entrée. Il ne devrait PAS être chaud.

**AVERTISSEMENT:** en cas de surchauffe ou si l'alimentation en gaz ne se ferme pas automatiquement, fermez le robinet d'arrêt manuel situé sur la canalisation d'alimentation en gaz du chauffe-eau.

### APPROVED

#### Inspection visuelle

Lorsque l'appareil est en marche, retirez le panneau et inspectez visuellement la veilleuse et le brûleur. La flamme doit être bleue et de forme motif bien définie.

Une flamme jaune ou flottante signale une restriction d'apport d'air ou de l'orifice. Si cela se produit, éteignez l'appareil et joignez un technicien d'entretien licencié.

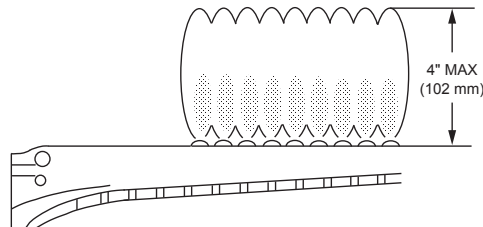


Figure 70. Flamme brûleur principal

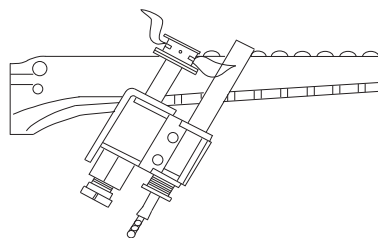


Figure 71. Flamme de la veilleuse millivolt

#### Détecteur de pression d'eau

Cet appareil est équipé d'un détecteur de pression permettant d'éteindre les brûleurs en cas d'interruption de l'alimentation en eau. Il est très important de s'assurer que ce détecteur puisse activer ou désactiver la vanne de gaz en fonction du débit qui traverse l'appareil. Un débit insuffisant risque de rapidement et irrémédiablement endommager l'appareil.

Le bon fonctionnement du détecteur de pression d'eau doit être vérifié et réglé par un technicien d'entretien qualifié lors de l'installation et périodiquement par la suite. Reportez-vous à "**Réglage du détecteur de pression d'eau**" à la page 32.

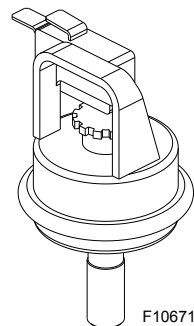


Figure 72. Détecteur de pression d'eau

**AVERTISSEMENT:** le fonctionnement de l'appareil en l'absence de circulation d'eau lui causera des dommages rapides et graves, qui ne sont pas couverts par la garantie.



**APPROVED**  
**INSTRUCTIONS D'UTILISATION ET D'ARRÊT**  
**SYSTÈME MILLIVOLT**  
**(ALLUMAGE MANUEL)**

**POUR VOTRE SÉCURITÉ, LISEZ AVANT DE METTRE EN MARCHÉ**

- A. Cet appareil est équipé d'une veilleuse à allumage manuel. Suivez précisément les instructions d'allumage de la veilleuse.
- B. **AVANT L'ALLUMAGE**, humez tout autour de l'appareil afin de détecter une éventuelle odeur de gaz. Sentez aussi près du sol, car certains gaz sont plus lourds que l'air et s'y accumulent.


**SI VOUS DÉTECTEZ UNE ODEUR DE GAZ:**

- \*N'allumez aucun appareil.
- \*Ne touchez à aucun interrupteur et n'utilisez pas un téléphone dans le bâtiment.
- \*Appelez immédiatement votre fournisseur de service du gaz de chez un voisin et suivez ses directives.

\*Si vous ne pouvez communiquer avec votre fournisseur, appelez le service des incendies.

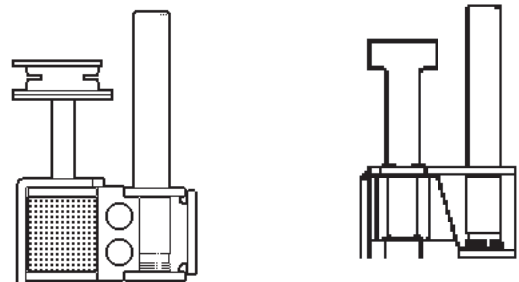
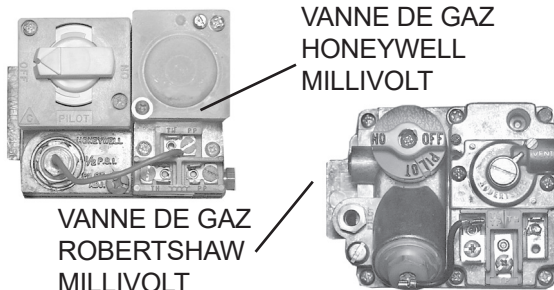
- C. Ne vous servez uniquement que de vos mains pour faire tourner le bouton de réglage du gaz, n'utilisez jamais d'outils. Si le bouton reste coincé, ne tentez pas une réparation; appelez plutôt un technicien d'entretien qualifié. Si vous le forcez ou tentez de le réparer, il a risque d'explosion ou d'incendie.
- D. N'utilisez pas cet appareil même s'il n'a été que partiellement submergé dans l'eau. Appelez immédiatement un technicien d'entretien qualifié afin qu'il inspecte le chauffe-eau et remplace toute composante ayant été plongée dans l'eau.



**INSTRUCTIONS D'ALLUMAGE**

1. **ARRÊTEZ!** Lisez les directives de sécurité ci-dessus.
2. Réglez le thermostat à son plus faible réglage.
3. S'assurer que l'interrupteur est à la position "OFF".
4. Retirez le panneau de l'appareil.
5. Enfoncez légèrement le bouton de réglage du gaz et faites-le tourner dans le sens horaire à la position  OFF.


**NOTE: il est requis d'enfoncer le bouton pour le faire tourner de la position PILOT à OFF; ne le forcez pas.**

6. Attendez cinq minutes afin de laisser se dissiper tout gaz ayant pu s'accumuler. Si vous détectez une odeur de gaz, **ARRÊTEZ!** Suivez la directive de sécurité "B" au haut de cette étiquette. Si vous ne détectez pas une odeur de gaz, passez à l'étape suivante.
7. Localisez la veilleuse montée sur la partie droite de l'assemblage du brûleur.



8. Tournez le bouton de réglage du gaz dans le sens antihoraire  jusqu'à la position PILOT.
9. Approchez la flamme à l'extrémité du tube de la veilleuse. Maintenez enfoncé le bouton de réglage du gaz pour allumer la veilleuse. Maintenez le bouton de réglage du gaz enfoncé environ une minute après l'allumage de la veilleuse, puis relâchez-le. La veilleuse devrait rester allumée. Si elle s'éteint, répétez les étapes 5 à 9. Si le bouton ne remonte pas lorsqu'il est relâché, arrêtez et appelez immédiatement un technicien d'entretien ou votre fournisseur de gaz.
10. Faites tourner le bouton de réglage du gaz dans le sens inverse des aiguilles d'une montre  à ON.
11. Remplacez le panneau de l'appareil.
12. Assurez-vous que l'interrupteur ON/OFF est à la position "ON".
13. Réglez le thermostat à la température requise.

**COUPER L'ALIMENTATION EN GAZ DE L'APPAREIL**

1. Réglez le thermostat à son plus bas point de consigne.
2. Assurez-vous que l'interrupteur est à la position "OFF".
3. Retirez le panneau de l'appareil.
4. Enfoncez légèrement le bouton de réglage du gaz et faites-le tourner dans le sens horaire à la position  OFF; ne le forcez pas.
5. Remplacez le panneau de l'appareil.

APPROVED  
INSTRUCTIONS D'UTILISATION ET D'ARRÊT  
MODÈLES NUMÉRIQUES À ALLUMAGE ÉLECTRONIQUE  
(VEILLEUSE À ALLUMAGE AUTOMATIQUE)

**POUR VOTRE SÉCURITÉ, LISEZ AVANT DE METTRE EN MARCHÉ**

- A. Cet appareil est équipé d'un dispositif d'allumage automatique de la veilleuse. Ne tentez pas d'allumer le brûleur manuellement.
- B. **AVANT LA MISE EN MARCHÉ**, humez tout autour de l'appareil afin de déceler une éventuelle odeur de gaz. Sentez aussi près du sol, car certains gaz sont plus lourds que l'air et s'y accumulent.

**SI VOUS DÉTECTEZ UNE ODEUR DE GAZ:**

\*N'allumez aucun appareil.

\*Ne touchez à aucun interrupteur et n'utilisez pas un téléphone dans le bâtiment.

\*Appelez immédiatement votre fournisseur de service du gaz de chez un voisin et suivez ses directives.

\*Si vous ne pouvez communiquer avec votre fournisseur, appelez le service des incendies.

- C. Ne vous servez uniquement que de vos mains pour faire tourner le bouton de réglage du gaz, n'utilisez jamais d'outils. Si le bouton reste coincé, ne tentez pas une réparation; appelez plutôt un technicien d'entretien qualifié. Si vous le forcez ou tentez de le réparer, il a risque d'explosion ou d'incendie.

- D. N'utilisez pas cet appareil même s'il n'a été que partiellement submergé dans l'eau. Appelez immédiatement un technicien d'entretien qualifié afin qu'il inspecte le chauffe-eau et remplace toute composante ayant été plongée dans l'eau.

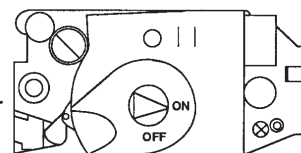
**INSTRUCTIONS D'ALLUMAGE**

- ARRÊTEZ!** Lisez les directives de sécurité ci-dessus.
- Réglez le thermostat à son plus faible réglage.
- Coupez l'alimentation électrique de la chaudière.
- Cet appareil est équipé d'un dispositif d'allumage automatique de la veilleuse. **NE PAS** tenter d'allumer le brûleur manuellement.
- Retirez le panneau de l'appareil.
- VannedugazHoneywell:** tournez le bouton de réglage du gaz dans le sens horaire ↻ à la position OFF. Vanne du gaz **Robertshaw:** modèles 266-406, tournez le bouton de réglage du gaz dans le sens horaire ↻ à la position OFF. Modèle 206: enfoncez et déplacez le levier de réglage du gaz dans le sens antihoraire ↺ à la position OFF.
- Attendez cinq minutes afin de laisser se dissiper tout gaz ayant pu s'accumuler. Si vous détectez une odeur de gaz, **ARRÊTEZ!** Suivez la directive de sécurité "B" au haut de cette étiquette. Si vous ne détectez pas une odeur de gaz, passez à l'étape suivante.
- Faites tourner le bouton de réglage du gaz dans le sens antihoraire jusqu'à la position ON (Honeywell VR8340 et Robertshaw 7000).
- Remplacez le panneau de l'appareil.
- Réalimentez l'appareil en électricité.
- Réglez le thermostat à la température requise.

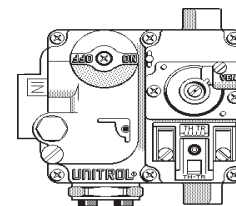
- Si l'appareil ne se met pas en marche, suivez la directive "Couper l'alimentation en gaz de l'appareil" ci-dessous et appelez un technicien d'entretien qualifié ou le fournisseur du gaz.

**VANNE DU GAZ  
HONEYWELL  
VR8340 IID**

RACCORD  
DU GAZ

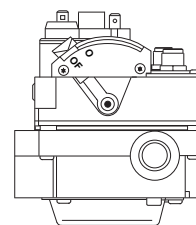


**VANNE DU GAZ  
ROBERTSHAW 7000 IID**



**LEVIER DE RÉGLAGE  
DU GAZ ROBERTSHAW  
7200 ILLUSTRÉ À LA  
POSITION OFF**

RACCORD  
DU GAZ



**COUPER L'ALIMENTATION EN GAZ DE L'APPAREIL**

- Réglez le thermostat à son plus bas point de consigne.
- Coupez l'alimentation électrique de l'appareil lors de tout entretien.
- Retirez le panneau de l'appareil.
- Pour vanne de gaz **Honeywell VR8340 et Robertshaw 7000.** Faites tourner le bouton de réglage du gaz dans le sens horaire ↻ jusqu'à OFF. Assurez-vous que le bouton touche à sa butée.
- Remplacez le panneau de l'appareil.

## 10. MAINTENANCE ET ENTRETIEN Utilisation par temps froid

**⚠ AVERTISSEMENT:** inspectez l'appareil pour détecter d'éventuels nids de rongeurs après de longues périodes d'inutilisation.

À effectuer un mois après la mise en service, puis aux six mois par la suite.

1. Assurez-vous de l'absence de suie sur le dessus de l'appareil, le coupe-tirage, les tubes à ailettes et les supports en V et toute section exposée du conduit d'évacuation. Éliminez toute accumulation de suie visible pour assurer le bon fonctionnement de l'appareil.

**⚠ ATTENTION:** la suie est combustible. Mouillez les surfaces couvertes de suie avant de les nettoyer. Ne pas utiliser de brosse métallique.

2. Éliminez la poussière et tout débris du brûleur et de la veilleuse.
3. Inspectez et faites fonctionner toutes les commandes, la vanne de gaz et la soupape de surpression (si équipé).
4. Inspectez visuellement les flammes du brûleur et de la veilleuse. Des flammes jaunes indiquent une restriction d'apport d'air. Des flammes soulevées ou sifflantes indiquent une surpression de gaz. Des flammes basses indiquent une faible pression du gaz. Si cela se produit, éteignez l'appareil et joignez un technicien d'entretien licencié, voir **Figure 70** et **Figure 71**.
5. Dans le cas d'une installation intérieure, dégagez toutes les ouvertures d'admission d'air pour assurer un apport adéquat d'air comburant et de ventilation.

**⚠ ATTENTION:** l'air comburant ne doit pas être contaminé par des vapeurs corrosives pouvant causer à l'appareil des dommages non couverts par la garantie. Ces dommages ne sont pas couverts par la garantie.

6. Les environs de l'appareil doivent être libres de tout matériau combustible, d'essence, ainsi que de liquides et vapeurs inflammables.

### Si l'appareil ne s'allume pas:

Si l'appareil n'est pas alimenté en électricité, il se peut que le disjoncteur du circuit se soit déclenché. Tentez de le réenclencher.

Si l'appareil est alimenté en électricité, mais qu'il ne se met pas en marche, vérifiez les éléments suivants ou consultez **Dépannage à la page 40**.

1. La minuterie doit être active (ON).
2. La crépine de la pompe de filtration peut être pleine. Le cas échéant, retirez les débris.
3. Le filtre peut être encrassé. Le cas échéant, effectuez un lavage à contre-courant (backwash). Pour savoir si le filtre est sale, vérifiez si la pression du filtre est plus élevée que d'habitude.
4. La pompe peut s'être désamorçé et tourner à sec. Vérifiez la pression au filtre. S'il n'y a pas de pression, le débit est inexistant ou le manomètre est défectueux. Tentez de faire fonctionner la pompe à son débit normal.

**Renseignements importants à propos du gel CLIMAT TEMPÉRÉ:** laissez l'appareil fonctionner pendant un court épisode de temps froid. Lorsque la température est comprises entre 0°F (-18°C) et 32°F (0°C), laissez la pompe fonctionner.

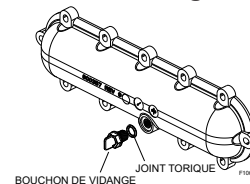
**⚠ ATTENTION:** ne pas utiliser l'appareil pour maintenir la température de l'eau juste au-dessus du point de congélation ou pour la protection contre le gel. Lorsque l'appareil est utilisé pendant le temps glacial, il ne doit jamais geler. Pour ce faire, laissez la pompe tourner en continu. Des mesures de protection supplémentaire peuvent être requises. L'appareil n'est pas garanti contre les dommages causés par le gel.

**CLIMAT FROID:** un fonctionnement prolongé à une température d'eau inférieure à 50°F (10°C) n'est pas recommandé. Si vous faites démarre l'appareil à une température d'eau inférieure à 50°F (10°C), faites fonctionner l'appareil en continu jusqu'à l'atteinte d'une température supérieure à cette valeur. L'utilisation prolongée de l'appareil lorsque la température de l'eau est inférieure à 50°F (10°C) peut sérieusement l'endommager l'appareil. De tels dommages ne sont pas couverts par la garantie. Pour les zones à climat froid, veuillez suivre les procédures d'hivernage décrites ci-dessous.

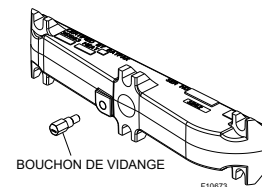
### Hivernage de l'appareil

Les appareils installés à l'extérieur dans les régions à climat glacial doivent être fermés pour l'hiver. Procédure d'hivernage de l'appareil:

1. Fermez la vanne à gaz, le robinet d'arrêt manuel et l'alimentation électrique de l'appareil.
2. Retirez l'assemblage ProTek Shield™ (le cas échéant). Retirez le panneau d'inspection de l'échangeur de chaleur situé sur le côté opposé des raccords d'eau pour accéder au bouchon de vidange du raccord de retour. Ouvrez le bouchon de vidange du raccord de retour, voir **Figure 73** et **Figure 74**.



**Figure 73. Bouchon de vidange du raccord de retour, modèles résidentiels (préfixe P)**



**Figure 74. Robinet de vidange du collecteur de retour, modèles commerciaux (préfixe B)**

# 11. GUIDE DE DÉPANNAGE

**NOTE IMPORTANTE:** les présentes instructions sont destinées à des personnes qualifiées, spécialement formées et expérimentées dans l'installation et l'entretien de ce type d'appareil et de ses composantes connexes. Dans certaines régions, les techniciens d'entretien pour ce type d'équipement doivent détenir une licence. Les personnes non qualifiées ne doivent pas tenter de réparer l'appareil ni d'effectuer les réparations décrites au présent manuel.

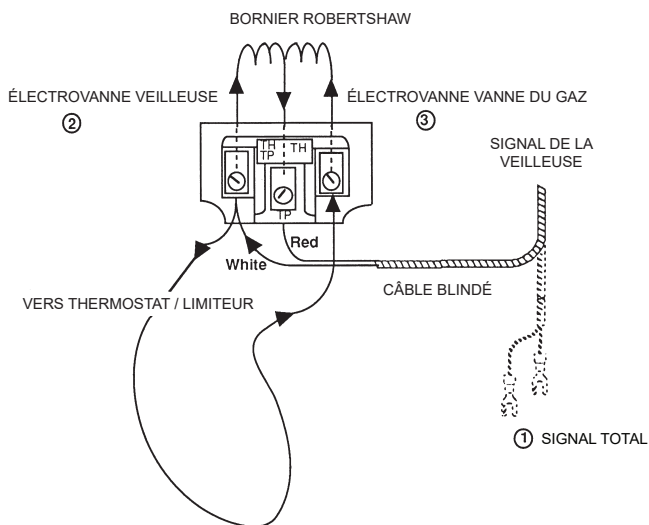
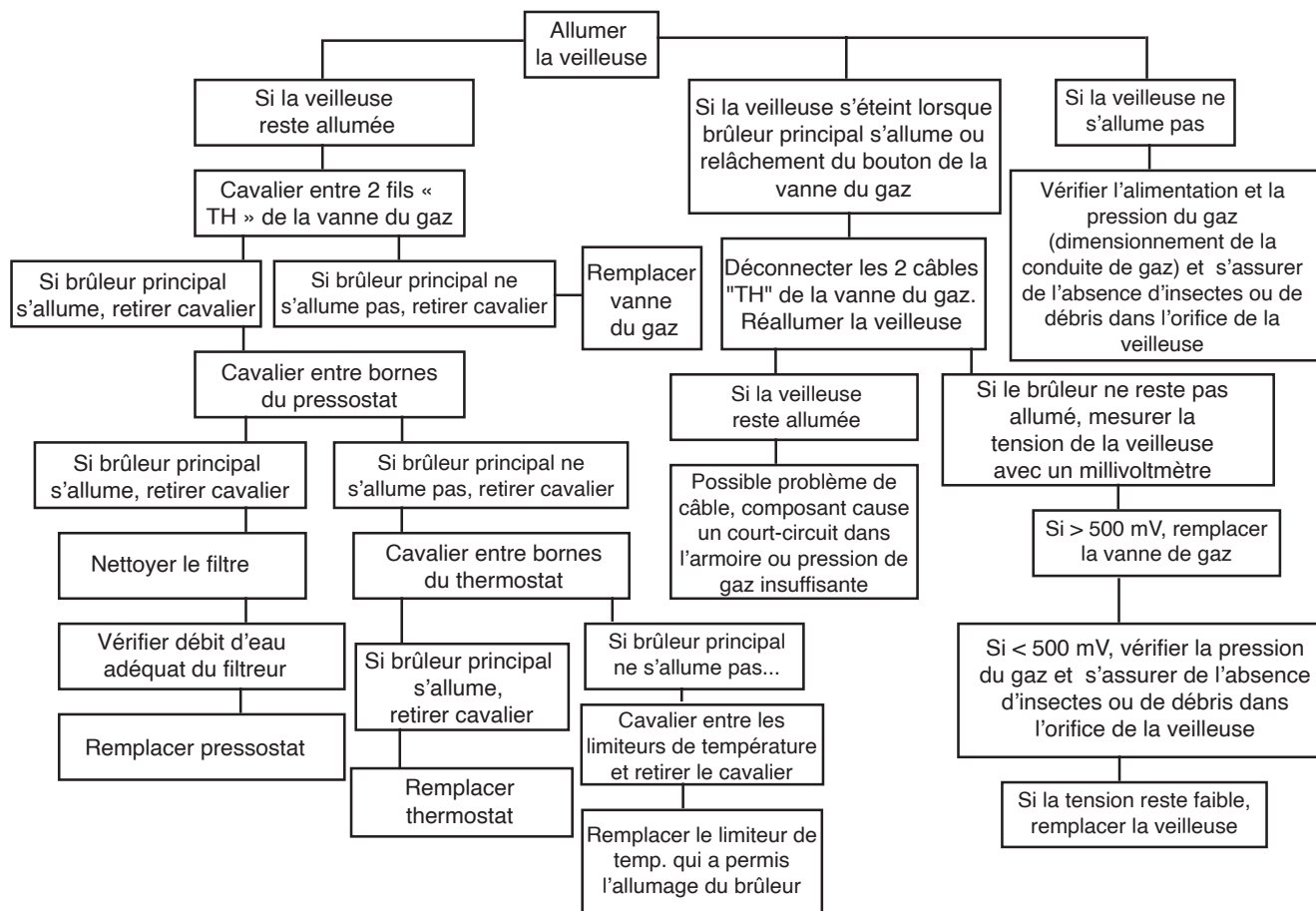
Problème	Cause possible	Mesures correctives	
<b>Harmoniques ou scintillement</b>	Régulateur Unitherm défectueux .....	Vérifier fonctionnement en le plongeant dans l'eau chaude >110°F (43°C)	
	*Débris ou restriction dans le système ...	Localiser et éliminer la restriction. Rincer et nettoyer système.	
	*Débris dans la conduite de gaz.....	Éliminer les débris (souffler dans la conduite).	
	Débit insuffisant .....	Tartre dans l'échangeur de chaleur: nettoyer l'échangeur, vérifier le pH et l'alcalinité totale.	
Lorsque les recommandations ci-dessus ne règlent pas la situation, essayez avec les kit suivants:			
	1re recommandation: <b>Kit d'entretien Unitherm 105°F</b>	2e recommandation: <b>Kit d'entretien des contacteurs</b>	
		<b>Pour modèles</b>	
	018759F	019104F	206-207
	018759F	019203F	266-268
	018758F	019204F	336-337
	018758F	019205F	406-408
<b>Appareil s'allume et s'éteint à répétition</b>	Filtre sale .....	Nettoyer ou remplacer filtre.	
	Faible niveau d'eau .....	Ajouter de l'eau.	
	Dérèglement vanne de dérivation externe.....	Régler la vanne de dérivation.	
	*Détecteur de pression d'eau déréglé ....	Régler le détecteur de pression d'eau.	
<b>Accumulation de tartre dans l'échangeur</b>	Qualité de l'eau.....	Voir Paramètres d'eau, <b>p 5</b> .	
	Dérivation d'eau excessive.....	Inspecter la vanne de dérivation; si bloquée, remplacer.	
	Régulateur Unitherm défectueux.....	Remplacer si ne s'allonge pas lorsque chauffé.	
<b>Formation de suie</b>	Débit élevé.....	Réduire en ajoutant une vanne de dérivation manuelle. Régler la vanne de dérivation manuelle jusqu'à ce que la température de l'eau de sortie soit comprise entre 105°F et 110°F (40°C et 43°C).	
	Régulateur Unitherm défectueux.....	Vérifier fonctionnement en le plongeant dans l'eau chaude >110°F (43°C). Si ne s'allonge pas, remplacer.	
	*Manque d'air .....	Lire instructions d'installation.	
	*Mauvaise ventilation.....	Lire instructions d'installation.	
	*Insectes ou débris obstruant les ports d'admission du brûleur .....	Nettoyer les brûleurs.	
<b>Veilleuse éteinte ou signal trop faible</b>	Faible pression de gaz .....	Régler la pression du gaz	
	Veilleuse encrassée.....	Nettoyer la veilleuse	
	Allumeur de veilleuse trop faible.....	Remplacer la veilleuse	
<b>Flamme jaune et faible</b>	Faible pression de gaz .....	Régler la pression du gaz	
	*Insectes ou débris obstruant les ports d'admission du brûleur .....	Nettoyer les brûleurs.	
<b>Panneaux extérieurs très chauds (surface peinte dégradée)</b>	*Panneaux réfractaires endommagés lors de l'expédition ou par mauvaise combustion .....	Remplacer les panneaux réfractaires	
	Échangeur de chaleur encrassé par la suie .....	Déterminer l'origine de la suie et corriger	

\*Symptôme habituellement détecté au démarrage initial.

## DÉPANNAGE (suite)

Problème	Cause possible	Mesures correctives
<b>Chauffage d'eau trop lent</b>	Appareil sous-dimensionné .....	Calculer la capacité de l'appareil: $\frac{\text{Puissance (BTU/h)}}{\text{Volume d'eau} \times 8,33}$ ou consulter tableau de dimensionnement Ne considère pas perte de chaleur dans l'atmosphère
	Système ne fonctionne pas suffisamment .....	Allonger la minuterie.
	Filtre sale .....	Nettoyer le filtre.
	Alimentation en gaz insuffisante.....	Lire instructions d'installation.
<b>Fuite au puits de sonde</b>	Exposition excessive aux acides .....	Remplacer le puits et ajuster les paramètres d'eau
<b>Fuites à l'échangeur de chaleur</b>	Exposition excessive aux acides .....	Remplacer l'échangeur de chaleur et ajuster les paramètres d'eau.
<b>Joint ébréché et fuit - (surchauffe)</b>	Appareil fonctionne après l'arrêt de la pompe.....	Voir Réglage du détecteur de pression d'eau
	Enduit réfractaire endommagé .....	Remplacer les panneaux réfractaires
	Appareil encrassé par la suie .....	Déterminer la cause de la suie et corriger.

# Modèle millivolt - Organigramme de dépannage

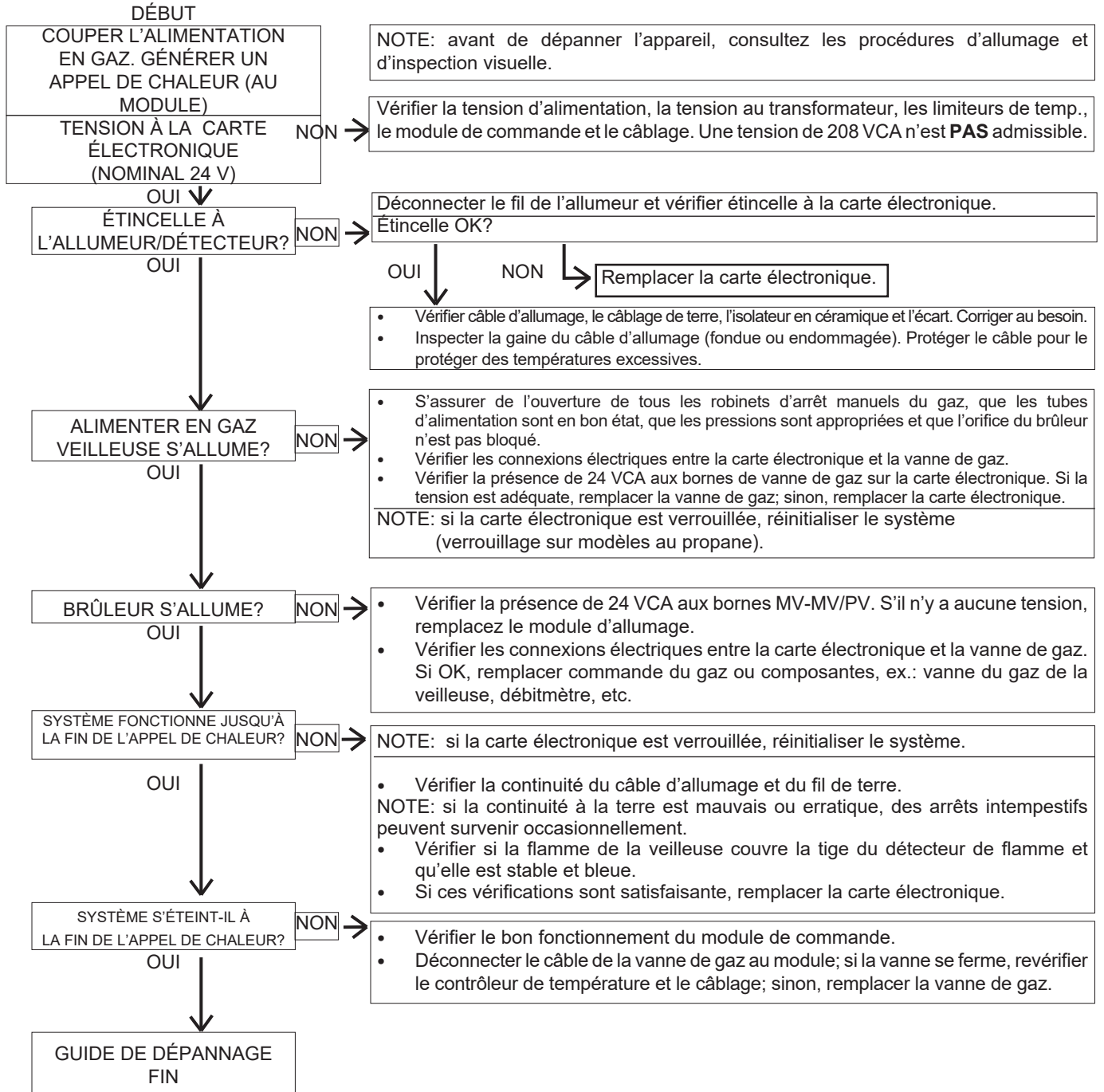


- ① Signal brut (700 mV ± 100)  
L'allumeur de la veilleuse est déconnecté de la vanne du gaz (le bouton doit être maintenu enfoncé pour que la veilleuse reste allumée).  
Blanc - Négatif  
Rouge + Positif
- ② Tension veilleuse (500 mV ± 100)  
Allumeur de la veilleuse connecté à la vanne - électrovanne sous tension.  
TP (Thermopile-Robertshaw)  
PP (Powerpile-Honeywell)  
TH TP - Commun  
TH PP - Commun
- ③ Tension vanne principale (200 mV ± 100)  
Circuit module de commande/limiters fermé (tous à ON)  
TP (Thermopile-Robertshaw)  
PP (Powerpile-Honeywell)  
TH TP - Commun  
TH PP - Commun

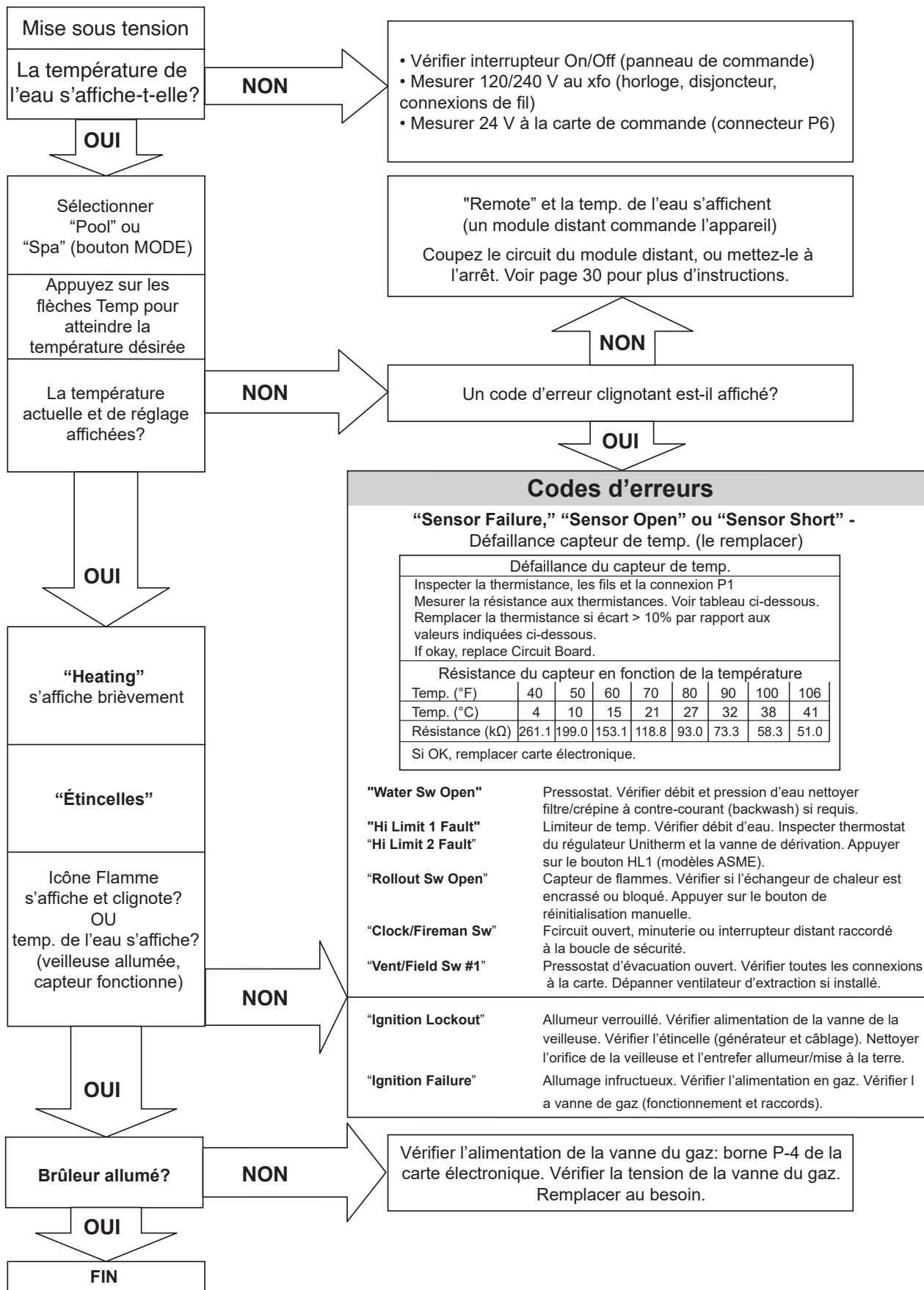
# Modèle numérique - Organigramme de dépannage

**⚠ AVERTISSEMENT: HAUTE TENSION** Pour techniciens qualifiés **SEULEMENT**

**NOTE:** certains appareils peuvent être équipés d'un module d'allumage qui désactive la veilleuse si elle ne s'allume pas. Pour réinitialiser, couper l'alimentation électrique de l'appareil.



# Organigramme de la logique de contrôle - Numérique



## Codes d'erreurs

**"Sensor Failure," "Sensor Open" ou "Sensor Short" -**  
Défaillance capteur de temp. (le remplacer)

Défaillance du capteur de temp.								
Inspecter la thermistance, les fils et la connexion P1								
Mesurer la résistance aux thermistances. Voir tableau ci-dessous.								
Remplacer la thermistance si écart > 10% par rapport aux valeurs indiquées ci-dessous.								
If okay, replace Circuit Board.								
Résistance du capteur en fonction de la température								
Temp. (°F)	40	50	60	70	80	90	100	106
Temp. (°C)	4	10	15	21	27	32	38	41
Résistance (kΩ)	261.1	199.0	153.1	118.8	93.0	73.3	58.3	51.0
Si OK, remplacer carte électronique.								

- "Water Sw Open"** Pressostat. Vérifier débit et pression d'eau nettoyer filtre/crépine à contre-courant (backwash) si requis.
- "Hi Limit 1 Fault"** Limiteur de temp. Vérifier débit d'eau. Inspecter thermostat du régulateur Unitherm et la vanne de dérivation. Appuyer sur le bouton HL1 (modèles ASME).
- "Hi Limit 2 Fault"**
- "Rollout Sw Open"** Capteur de flammes. Vérifier si l'échangeur de chaleur est encrassé ou bloqué. Appuyer sur le bouton de réinitialisation manuelle.
- "Clock/Fireman Sw"** Fcircuit ouvert, minuterie ou interrupteur distant raccordé à la boucle de sécurité.
- "Vent/Field Sw #1"** Pressostat d'évacuation ouvert. Vérifier toutes les connexions à la carte. Dépanner ventilateur d'extraction si installé.
- "Ignition Lockout"** Allumeur verrouillé. Vérifier alimentation de la vanne de la veilleuse. Vérifier l'étincelle (générateur et câblage). Nettoyer l'orifice de la veilleuse et l'entrefer allumeur/mise à la terre.
- "Ignition Failure"** Allumage infructueux. Vérifier l'alimentation en gaz. Vérifier l a vanne de gaz (fonctionnement et raccords).

Vérifier l'alimentation de la vanne du gaz: borne P-4 de la carte électronique. Vérifier la tension de la vanne du gaz. Remplacer au besoin.



## 12. PIÈCES DE RECHANGE

**NOTE:** pour vous assurer de recevoir la bonne pièce, il est important de fournir le numéro de modèle, le numéro de série et le type de gaz (si appareil à combustible).

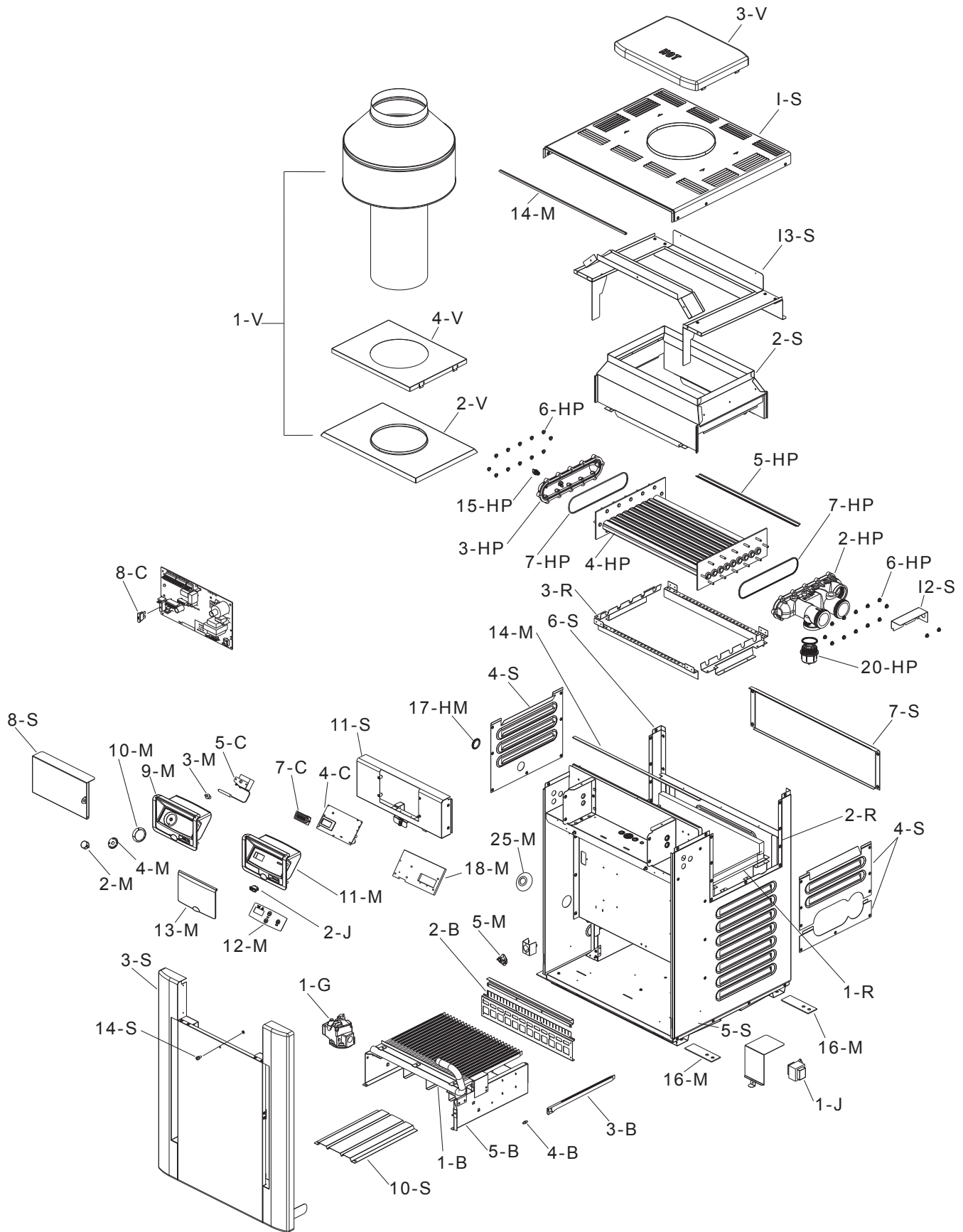
Toute pièce retournée pour remplacement en vertu de la garantie standard de la thermopompe doit porter une étiquette de retour complète indiquant le numéro de série, le numéro de modèle, etc., et expédiée en port prépayé.

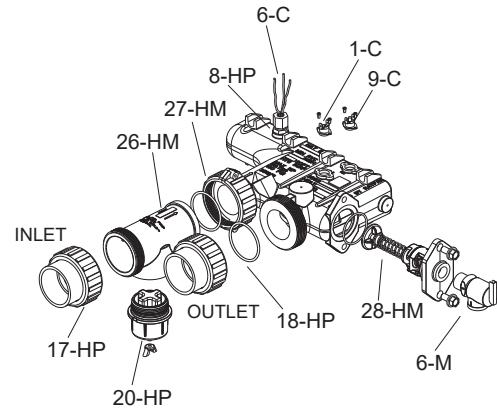
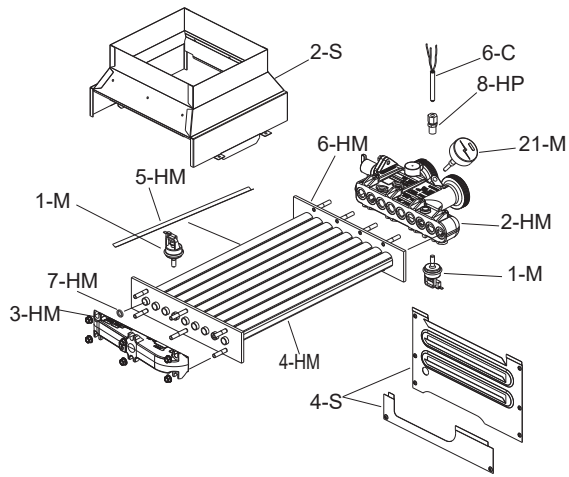
Si nous déterminons que la pièce est défectueuse dans les limites de la garantie, une pièce identique ou équivalente vous sera envoyée, port dû. Nous n'émettons pas de note de crédit.

**FABRICANT:**

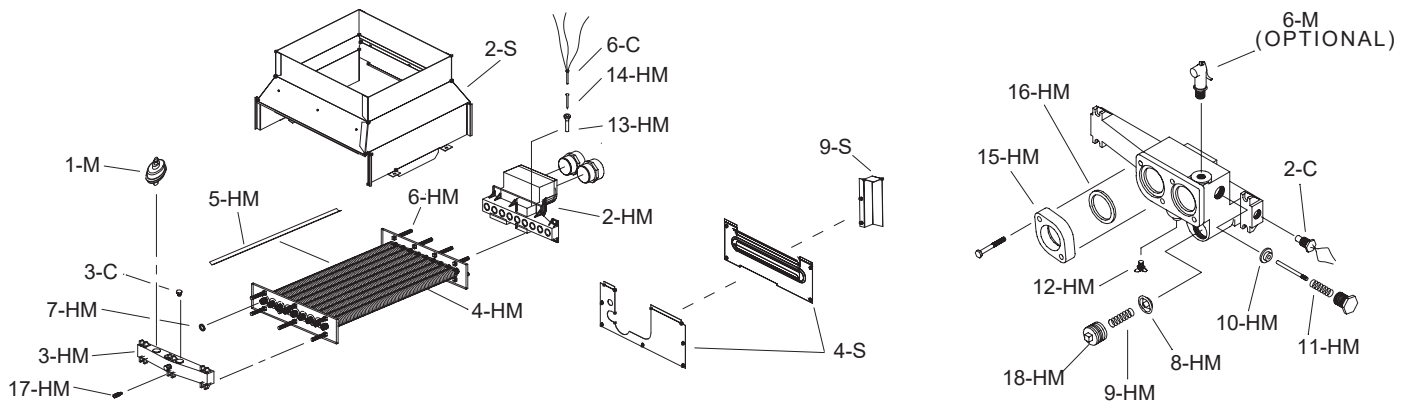
**2151 Eastman Avenue Oxnard, Ca 93030**

# 13. ILLUSTRATION DES PIÈCES

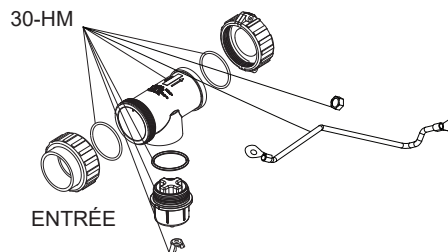




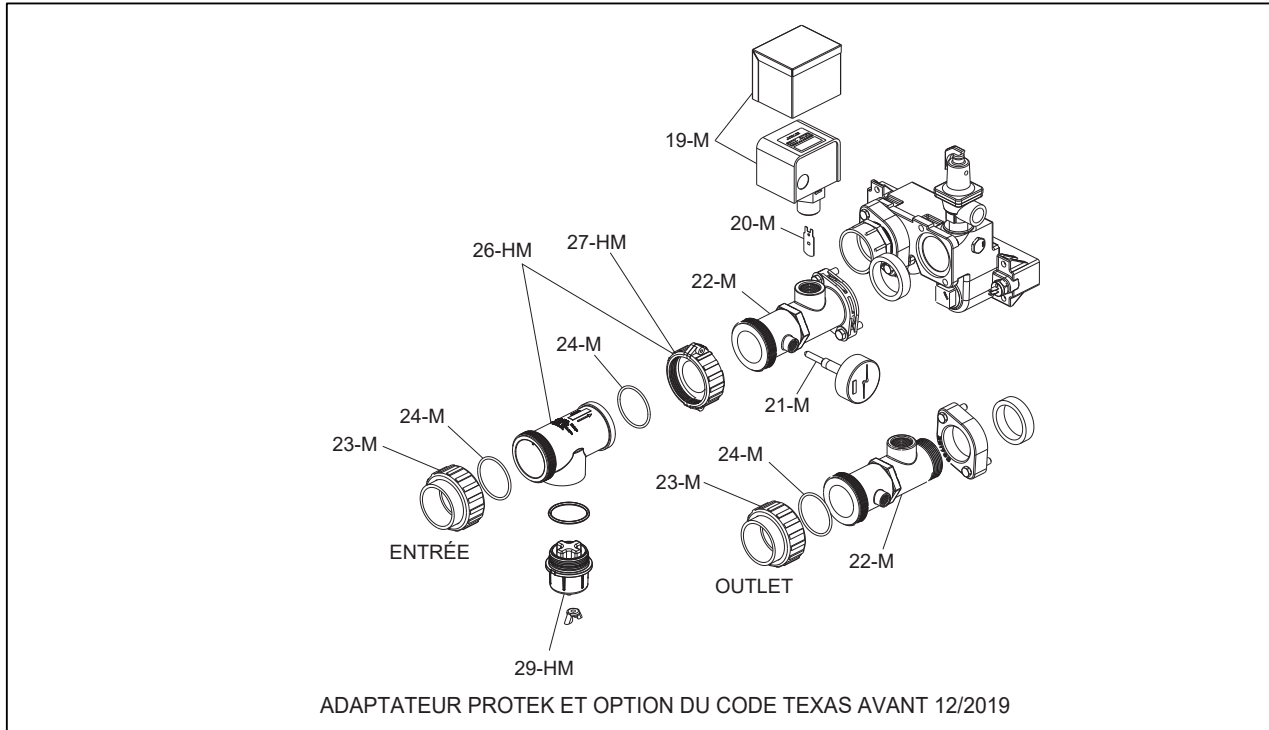
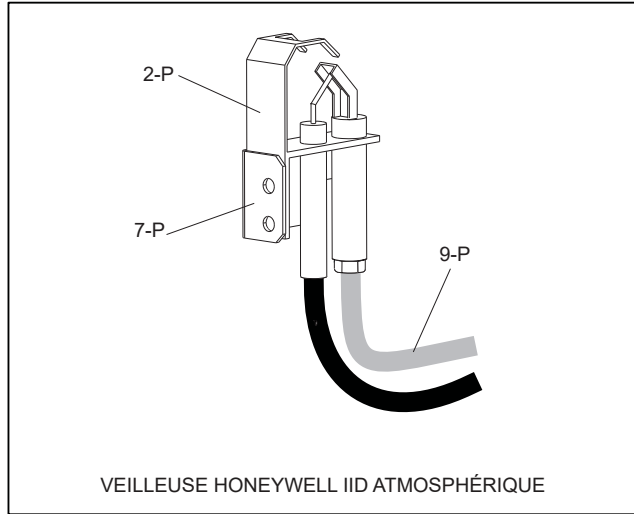
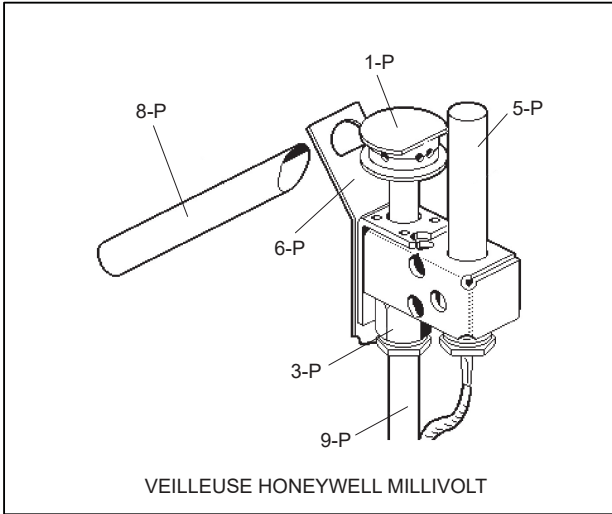
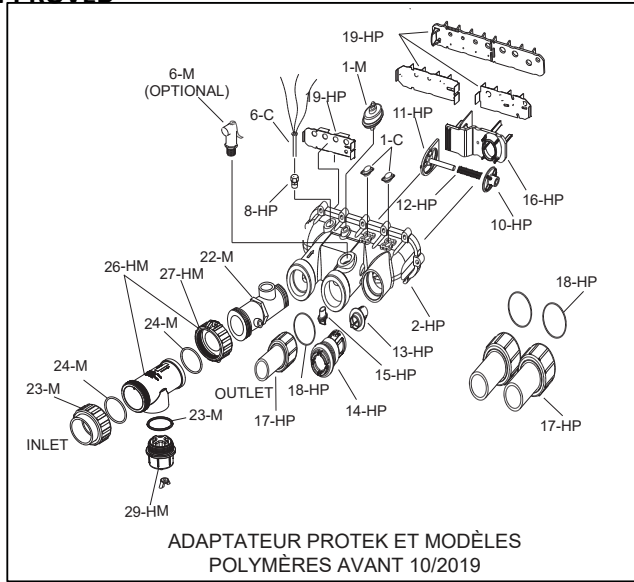
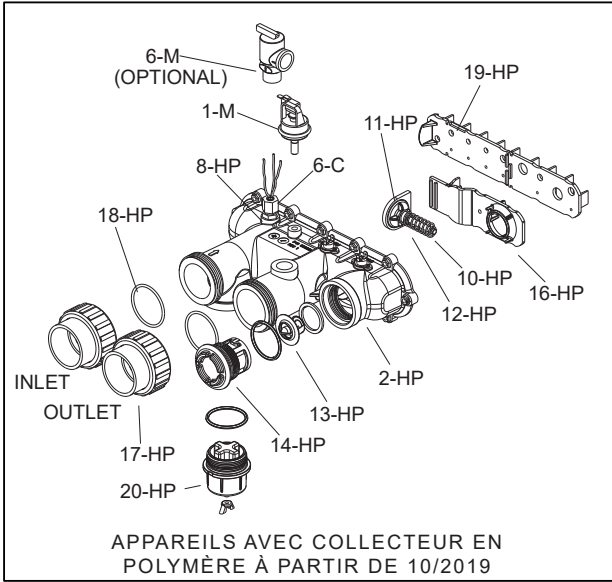
POUR APPAREILS AVEC COLLECTEUR EN BRONZE ASME À PARTIR DE 12/2019  
(PROTEK SHIELD EN OPTION SUR LES MODÈLES ASME APRÈS LA FIN DU 3E TRIMESTRE 2020)



APPAREILS AVEC COLLECTEUR EN FONTE ASME, DISCONTINUÉS EN 12/2019



KIT ADAPTATEUR PROTEK SHIELD



**APPROVED**

CALL OUT	DESCRIPTION	206A	266/266A	336A	399/406A	
<b>B</b>	<b>BURNER TRAY - SPECIFY ELEVATION*</b>					
1-B	Polymer Cu HX, or ASME HX (Cu or Cupro) NAT #50 ORIFICE	Burner Tray w/Burners Nat (sea level)* Burner Tray w/Gas Valve Nat Millivolt (sea level)* Burner Tray w/Gas Valve Nat IID (sea level)*	010391F 010399F 010407F	010392F 010400F 010408F	010393F 010401F 010409F	010394F 010402F 010410F
	Polymer Cu HX, or ASME HX (Cu or Cupro) PRO #57 ORIFICE	Burner Tray w/Burners Pro (sea level)* Burner Tray w/Gas Valve Pro Millivolt (sea level)* Burner Tray w/Gas Valve Pro IID (sea level)*	019206F 010403F 010411F	019207F 010404F 010412F	019208F 010405F 010413F	019209F 010406F 010414F
	Polymer Cupro HX NAT #51 ORIFICE	Burner Tray w/Burners Nat (sea level)* Burner Tray w/Gas Valve Nat Millivolt (sea level)* Burner Tray w/Gas Valve Nat IID (sea level)*	019210F 019214F 019218F	019211F 019215F 019219F	019212F 019216F 019220F	019213F 019217F 019221F
	Polymer Cupro HX PRO #58 ORIFICE	Burner Tray w/Burners Pro (sea level)* Burner Tray w/Gas Valve Nat IID (sea level)* Burner Tray w/Gas Valve Pro IID (sea level)*	019222F 019226F 019230F	019223F 019227F 019231F	019224F 019228F 019232F	019225F 019229F 019233F
2-B	Burner Spacer/Hold Down Kit		010415F	010416F	010417F	010418F
3-B	Burner		301210/13	301210/18	301210/22	301210/27
4-B	Burner Orifice (TO BE ORDERED BASED ON RATING PLATE AND ELEVATION)					
	Natural Gas					
	Burner Orifice #50* (0-1999 ft elevation)		350079F/13	350079F/18	350079F/22	350079F/27
	Burner Orifice #51* (2000-5999 ft elevation)		350080F/13	350080F/18	350080F/22	350080F/27
	Burner Orifice #52* (6000-8999 ft elevation)		350081F/13	350081F/18	350081F/22	350081F/27
	Burner Orifice #53* (9000 + ft elevation)		350347F/13	350347F/18	350347F/22	350347F/27
	Propane Gas					
	Burner Orifice #57* (0-1999 ft elevation)		350083F/13	350083F/18	350083F/22	350083F/27
	Burner Orifice #58* (2000-2999 ft elevation)		350087F/13	350087F/18	350087F/22	350087F/27
	Burner Orifice #59* (3000-4999 ft elevation)		350350F/13	350350F/18	350350F/22	350350F/27
	Burner Orifice #60* (5000-6999 ft elevation)		350351F/13	350351F/18	350351F/22	350351F/27
	Burner Orifice #61* (7000-7999 ft elevation)		350352F/13	350352F/18	350352F/22	350352F/27
5-B	Burner Tray w/o Manifold w/o burners		010421F	010422F	010423F	010424F
<b>C</b>	<b>CONTROLS</b>					
1-C	High Limit Auto Reset 135°F Deg Surface Mount		006725F	006725F	006725F	006725F
2-C	AGS 135°F (Auto Gas Shut-Off) - Red Epoxy - prior to 12/2019		600892B	600892B	600892B	600892B
3-C	High Limit 140°F - Black Epoxy - prior to 12/2019		600893B	600893B	600893B	600893B
4-C	P.C. Board/Control		013464F	013464F	013464F	013464F
7-C	LCD Display					
	Units manufactured from 5/2011		013640F	013640F	013640F	013640F
8-C	Fuse 5 AMP		013733F	013733F	013733F	013733F
5-C	Thermostat Control MV Units Mechanical		003346F	003346F	003346F	003346F
6-C	Temperature Sensor IID Units		009577F	009577F	009577F	009577F
9-C	High Limit Auto Reset 150°F Surface Mount (ASME Only)		018304F	018304F	018304F	018304F
<b>G</b>	<b>GAS VALVE</b>					
1-G	Combination Valve - Nat. MV		003898F	003898F	003898F	003898F
	Combination Valve - Pro. MV		003899F	003899F	003899F	003899F
	Combination Valve - Nat. IID		003900F	003900F	003900F	003900F
	Combination Valve - Pro. IID		004306F	004306F	004306F	004306F
<b>HP</b>	<b>HEAT EXCHANGER - POLYMER (RESIDENTIAL ONLY)</b>					
1-HP	Heat Exchanger Assy Copper ***					
	Units manufactured from 10/2019		017994F	017995F	017996F	017997F
	Units manufactured prior to 10/2019		010043F	010044F	010045F	010046F
	Heat Exchanger Assy Cupronickel ***					
	Units manufactured from 10/2019		017998F	017999F	018000F	018001F
	Units manufactured from 7/2013 thru 9/2019		014926F	014927F	014928F	014929F
	Units manufactured prior to 7/2013		010356F	010357F	010358F	010359F
2-HP	Inlet/Outlet Header Complete					
	Units manufactured from 10/2019		017959F	017959F	017959F	017959F
	Units manufactured prior to 10/2019		006827F	006827F	006827F	006827F
	Inlet/Outlet Header (Includes 6-HP)					
	Units manufactured from 10/2019		017965F	017965F	017965F	017965F
	Units manufactured prior to 10/2019		014648F	014648F	014648F	014648F
3-HP	Return Header (Includes 6-HP)		015095F	015095F	015095F	015095F
4-HP	Tube Bundle Copper ** & ***		010059F	010060F	010061F	010062F
	Tube Bundle Cupronickel ** & ***					
	Units manufactured from 7/2013		014930F	014931F	014932F	014933F
	Units manufactured prior to 7/2013		010364F	010365F	010366F	010367F
5-HP	Baffle (Copper Heat Exchanger)		010038F	005261F	010040F	010041F
	Baffle (Cupronickel Heat Exchanger)					
	Units manufactured from 6/2013		014934F	014935F	014936F	014937F
	Units manufactured prior to 6/2013		010038F	005261F	010040F	010041F
6-HP	Flange Nut Kit		008259F	008259F	008259F	008259F
7-HP	O Ring Gasket (2)		006713F	006713F	006713F	006713F
8-HP	Sensor Adapter Digital Electronic		006714F	006714F	006714F	006714F
	Sensor Well Millivolt		006805F	006805F	006805F	006805F
9-HP	Bypass Kit		006715F	006715F	006715F	006715F
10-HP	Bypass Valve		006716F	006716F	006716F	006716F
11-HP	Bypass Dam / Shaft		006717F	006717F	006717F	006717F
12-HP	Bypass Spring (All Sizes Included)		006718F	006718F	006718F	006718F
13-HP	Unitherm Governor		006719F	006719F	006719F	006719F
14-HP	Unitherm Governor Plug		006720F	006720F	006720F	006720F
15-HP	Drain Plug		006721F	006721F	006721F	006721F
16-HP	Inlet/Outlet Header Dam		N/A Use 19-HP	N/A Use 19-HP	N/A Use 19-HP	N/A Use 19-HP
17-HP	2" CPVC Connector & Nut (2)		006723F	006723F	006723F	006723F
18-HP	O Ring (2)		006724F	006724F	006724F	006724F
19-HP	Inlet/Outlet Header Baffle w/Header Dam		006826F	006826F	006826F	006826F
20-HP	ProTek Shield™ Assembly		017960F	017960F	017960F	017960F

\*FOR INSTALLATION AT OVER 2,000 FEET ABOVE SEA LEVEL, DERATE 4% PER 1,000 FEET ABOVE SEA LEVEL. Refer to the heater's rating plate.

\*\*WARNING: The Hydraulic conditions or water chemistry that caused the tube bundle to fail have very likely also damaged the bypass valve and Unitherm Governor. We recommend you replace the Unitherm Governor and inspect the bypass assembly. Failure to do so could cause premature failure of this replacement part.

\*\*\*WARNING: Copper and Cupronickel heat exchangers and tube bundles are not interchangeable. Units with suffix "C" must use copper replacement parts and units with suffix "X" must use Cupronickel replacement parts.

**UNCONTROLLED DOCUMENT IF PRINTED**

**APPROVED**

CALL OUT	DESCRIPTION	206A	266/266A	336A	399/406A
<b>HM</b>	<b>HEAT EXCHANGER - METAL (ASME-CERTIFIED, FOR COMMERCIAL USE)</b>				
1-HM	Heat Exchanger Assy.Copper ASME Units manufactured from 12/2019 (Bronze) Units manufactured prior to 12/2019 (Cast Iron)	017983F 010051F	017984F 016193F	017985F 010053F	017986F 010054F
	Heat Exchanger Assy.Cupronickel ASME Units manufactured from 12/2019 (Bronze) Units manufactured prior to 12/2019 (Cast Iron)	017987F 010360F	017988F 010361F	017989F 010362F	017990F 010363F
2-HM	Inlet/Outlet Header ASME Complete Units manufactured from 7/2020 (Bronze) Units manufactured from 12/2019 (Bronze) Units manufactured prior to 12/2019 (Cast Iron)	018740F 017961F 006730F	018740F 017961F 006730F	018741F 017992F 006730F	018741F 017992F 006730F
	Inlet/Outlet Header ASME (Header Only) Units manufactured from 7/2020 (Bronze) Units manufactured from 12/2019 (Bronze) Units manufactured prior to 12/2019 (Cast Iron)	018739F 017966F 012319F	018739F 017966F 012319F	018739F 017966F 012319F	018739F 017966F 012319F
15-HM	Inlet & Outlet Flange - prior to 12/2019	003766F	003766F	003766F	003766F
16-HM	Flange Gasket 1 1/2" Connections - prior to 12/2019 Flange Gasket 2" Connections - prior to 12/2019	062236B 800080B	062236B 800080B	062236B 800080B	062236B 800080B
3-HM	Return Header ASME Units manufactured from 7/2020 (Bronze) Units manufactured from 12/2019 (Bronze) Units manufactured prior to 12/2019 (Cast Iron)	018738F 017973F 006731F	018738F 017973F 006731F	018738F 017973F 006731F	018738F 017973F 006731F
4-HM	Tube Bundle Copper ASME * Units manufactured from 12/2019 Units manufactured prior to 12/2019	017974F 010055F	017975F 006733F	017976F 010057F	017977F 010058F
	Tube Bundle Cupronickel ASME * Units manufactured from 12/2019 Units manufactured prior to 12/2019	017978F 010368F 010038F	017979F 010369F 005261F	017980F 010370F 010040F	017981F 010371F 010041F
5-HM	Baffle	017982F	017982F	017982F	017982F
6-HM	Stud Bolt Kit Units manufactured from 12/2019 Units manufactured prior to 12/2019	007870F 800014B	007870F 800014B	007870F 800014B	007870F 800014B
7-HM	Header Gasket (9)	062234B	062234B	062234B	062234B
8-HM	Unitherm Governor	013792F	013792F	013792F	013792F
9-HM	U.G. Retainer Spring	013738F	013738F	013738F	013738F
18-HM	U.G. Plug	016194F	016194F	016194F	016194F
10-HM	Bypass Valve				
11-HM	Bypass Spring Units with Plastic Bypass Valve (Units manufactured from 3/5/17 to 12/19) Units with Bronze Bypass Valve (Units manufactured prior to 3/5/17)	016196F 013794F	016196F 013794F	016196F 013794F	016196F 013794F
12-HM	Drain Valve	013793F	013793F	013793F	013793F
13-HM	Sensor Well	003765F	003765F	003765F	003765F
14-HM	Well Retaining Clip	300203	300203	300203	300203
17-HM	Rear Drain Plug & Cover	005264F	005264F	005264F	005264F
19-HM	Adapter CPVC 2"	005393F	005393F	005393F	005393F
26-HM	Adapter - ProTek Shield (Includes 27-HM) from end of Q3 2020	018006F	018006F	018006F	018006F
27-HM	Nut - ProTek Shield Adapter - 2-Pc from end of Q3 2020	018007F	018007F	018007F	018007F
28-HM	U.G./Bypass Assembly (Units manufactured from 12/2019)	017958F	017958F	017962F	017962F
29-HM	ProTek Shield Assembly from end of Q3 2020	018766F	018766F	018766F	018766F
30-HM	ProTek Shield Adapter Assembly - from end of Q3 2020	018006F	018006F	018006F	018006F
<b>J</b>	<b>CONTROL BOX</b>				
1-J	Transformer 120/240/24V	006736F	006736F	006736F	006736F
2-J	Rocker Switch	009493F	009493F	009493F	009493F
<b>M</b>	<b>MISCELLANEOUS COMPONENTS</b>				
1-M	Pressure Switch 1.75 PSI Pressure Switch 1.75 PSI Complete Kit (Units manufactured from 12/2019 to 6/2020) Pressure Switch 11 PSI Special-See Water Pressure Switch Adj.	006737F 018297F 009133F	006737F 018297F 009133F	006737F 018297F 009133F	006737F 018297F 009133F
2-M	Thermostat Knob	009499F	009499F	009499F	009499F
3-M	Thermostat Shaft MV	800307	800307	800307	800307
4-M	Knobstop	006886F	006886F	006886F	006886F
5-M	Thermal Fuse	005899F	005899F	005899F	005899F
6-M	PRV	017957F	017957F	017957F	017957F
7-M	Delimiting Kit	052871F	052871F	052871F	052871F
8-M	Wire/Harness Millivolt Wire/Harness I/D	010386F 009490F	010386F 009490F	010386F 009490F	010386F 009490F
9-M	Control Bezel MV (Includes Dial Decal)	009489F	009489F	009489F	009489F
10-M	Dial Decal MV	009858F	009858F	009858F	009858F
11-M	Control Bezel (Includes Switch Decal) Units manufactured from 5/2011 Units manufactured prior to 5/2011	013491F 009491F	013491F 009491F	013491F 009491F	013491F 009491F
12-M	Switch/Decal-Membrane Units manufactured from 5/2011 Units manufactured prior to 5/2011	013492F 009492F	013492F 009492F	013492F 009492F	013492F 009492F
13-M	Control Bezel Cover	009487F	009487F	009487F	009487F
14-M	Gasket Insulation (Swaybrace & Jacket Top)	010350F	010350F	010350F	010350F
15-M	Touch-up Paint Green Dark Gray Cool Dark Gray Warm Dark Gray	750125 750126 750256 750258	750125 750126 750256 750258	750125 750126 750256 750258	750125 750126 750256 750258
16-M	Tie Down Bracket (Optional)	011636	011636	011636	011636
17-M	Texas Code Option (ASME Only) - Units manufactured prior to 12/2019 Flanged Connection (Not Shown) NPT Connection (Not Shown)	015889F 015890F 014647F	015889F 015890F 014647F	015889F 015890F 014647F	015889F 015890F 014647F
21-M	T & P Gauge				
22-M	2" CPVC Connector (Outlet Plumbing) NPT Connection Flanged Connection	013795F 015883F	013795F 015883F	013795F 015883F	013795F 015883F
23-M	2" CPVC Connector & Nut (2)	006723F	006723F	006723F	006723F
24-M	O Ring (2)	006724F	006724F	006724F	006724F
18-M	PC Board Shield (Optional)	015557F	015557F	015557F	015557F
25-M	Gas Line Finish Flange	016160F	016160F	016160F	016160F

\*WARNING: The Hydraulic conditions or water chemistry that caused the tube bundle to fail have very likely also damaged the bypass valve and Unitherm Governor. We recommend you replace the Unitherm Governor and inspect the bypass assembly. Failure to do so could cause premature failure of this replacement part.

**UNCONTROLLED DOCUMENT IF PRINTED**

**APPROVED**

CALL OUT	DESCRIPTION	206A	266/266A	336A	399/406A
<b>P</b>					
<b>PILOT</b>					
1-P	Pilot Nat. MV	600525B	600525B	600525B	600525B
	Pilot Pro. MV	600575B	600575B	600575B	600575B
3-P	Pilot Orifice Nat. MV	003901F	003901F	003901F	003901F
	Pilot Orifice Pro. MV	003902F	003902F	003902F	003902F
5-P	Pilot Generator MV	600019B	600019B	600019B	600019B
2-P	Pilot Nat & Pro IID	002003F	002003F	002003F	002003F
4-P	Pilot Orifice Nat. IID .020	003903F	003903F	003903F	003903F
	Pilot Orifice Pro. IID .012	004308F	004308F	004308F	004308F
6-P	Pilot MTG Bracket MV	010352F	010352F	010352F	010352F
7-P	Pilot Mounting Bracket IID	306692	306692	306692	306692
8-P	Lighter Tube (MV Units Only)	062996	062996	062996	062996
9-P	Pilot Tube	004078F	004078F	004078F	004078F
10-P	Hi Tension Wire IID with Pilot Electrode	N/A	N/A	N/A	N/A
11-P	Pilot Shield	010351F	010351F	010351F	010351F
<b>R</b>					
<b>REFRACTORY</b>					
1-R	Refractory Common Lt & Rt	010088F	010088F	010088F	010088F
2-R	Refractory Uncommon (Front & Rear)	010089F	010090F	010091F	010092F
3-R	Refractory Retainer Kit	010387F	010388F	010389F	010390F
<b>S</b>					
<b>SHEET METAL</b>					
1-S	Jacket Top (Louvered)	010047F	010048F	010049F	010050F
2-S	Flue Collector (Units with Polymer Header)	010071F	010072F	010073F	010074F
	Flue Collector (Units with Metal Header)	010075F	010076F	010077F	010078F
3-S	Door Assy				
	Raypak				
	Cool Dark & Warm Dark Gray	013859F	013860F	013861F	013862F
	Green	010378F	010379F	010380F	010381F
	Rheem				
	Cool Dark & Warm Dark Gray	013863F	013864F	013865F	013866F
	Green	010382F	010383F	010384F	010385F
	Ruud				
	Cool Dark & Warm Dark Gray (Units mfd after 9/2012)	013859F	013860F	013861F	013862F
	Warm Dark Gray (Units manufactured prior to 9/2012)	013867F	013868F	013869F	013870F
	Green	010382F	010383F	010384F	010385F
	Jacuzzi	N/A	016698F	N/A	016699F
14-S	Screw & Retainer	006744F	006744F	006744F	006744F
4-S	Access Panel Set (3 Pcs Units with Polymer Header)	010311F	010311F	010311F	010311F
	Access Panel Set - ASME				
	Access Panel Set (3 Pcs. for BR Header) - from 12/2019	017967F	017967F	017967F	017967F
	Access Panel Set (3 Pcs. for CI Header) - prior to 12/2019	010312F	010312F	010312F	010312F
5-S	Jacket Side Panel Right	010376F	010376F	010376F	010376F
6-S	Jacket Side Panel Left	010377F	010377F	010377F	010377F
7-S	Jacket Rear Panel (2 Pcs.)	010372F	010373F	010374F	010375F
8-S	Poolstat Cover/Lock	009505	009505	009505	009505
9-S	High Limit Cover - prior to 12/2019	010319F	010319F	010319F	010319F
10-S	Base Heat Shield - prior to 10/2019	010320F	010320F	010320F	010320F
11-S	Up Front Control Panel				
	Green	010321F	010322F	010323F	010324F
	Cool Dark Gray	013887F	013888F	013889F	013890F
	Warm Dark Gray	013891F	013892F	013893F	013894F
12-S	High Limit Shield	010342F	010342F	010342F	010342F
13-S	Weather Shield	010325F	010326F	010327F	010328F
<b>V</b>					
<b>VENTING</b>					
1-V	Indoor Stack Kit (Includes inner adapter panel)	009838	009839	009840	009841
	Outdoor Stack Kit (Includes inner adapter panel)	009834	009835	009836	009837
2-V	Stack Adapter	010330F	010331F	010332F	010333F
4-V	Outer Stack Adapter	011461F	011462F	011463F	011464F
3-V	"Pagoda" Top				
	Cool Dark Gray	013883F	013884F	013885F	013886F
	Green	010334	010335	010336	010337
<b>Atmospheric CONVERSION KITS*</b>					
Gas Conversions					
	Nat. to Pro. MV Pilot	004690B	004690B	004692B	004692B
	Pro. to Nat. MV Pilot	010419F	010419F	010420F	010420F
	Nat. to Pro. IID Pilot	**	**	**	**
	Pro. to Nat. IID Pilot	**	**	**	**

\* Gas conversions are to be done only by a qualified agency.

\*\* Conversion must be made with complete burner tray and gas valve (see item 1-B).

