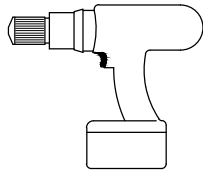




## TOOLS NEEDED



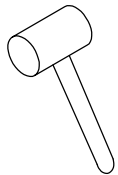
POWER DRILL



TAPE MEASURE



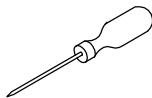
PENCIL



RUBBER MALLET



LADDER (8ft / 2.5m)



PHILLIPS SCREW DRIVER



KNIFE



ADJUSTABLE WRENCH



## BEFORE YOU BEGIN

THESE INSTRUCTIONS MUST BE FOLLOWED STEP BY STEP. DEVIATION FROM THE INSTRUCTIONS MAY VOID THE PRODUCT'S WARRANTY. SEE WARRANTY SHEET FOR FURTHER DETAILS.

READ ALL INSTRUCTIONS THOROUGHLY BEFORE STARTING ASSEMBLY.

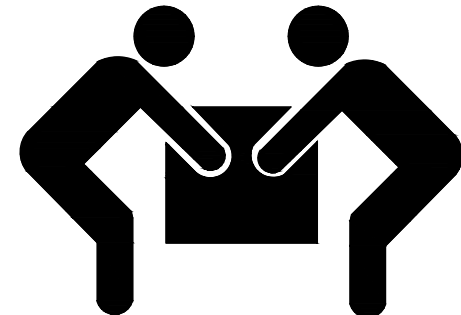
USE THE PARTS LIST AS A CHECKLIST FOR COMPONENTS.

UNWRAP PARTS ONLY AS NEEDED TO KEEP COMPONENT DEALER CODE LABEL INTACT FOR REFERENCE.

## TWO PERSON PROJECT

PRODUCT CAN BE HEAVY

USE CARE WHEN LIFTING



## SITE PREPARATION

ASSEMBLE THE STRUCTURE ON A FIRM, LEVEL SURFACE.  
PROTECT THE PRODUCT FROM DAMAGE AS SOME PIECES MAY BE FRAGILE.

## **ESTIMATED ASSEMBLY TIME: 8 HOURS**

IF YOU REQUIRE ASSISTANCE, OR NEED TO ORDER REPLACEMENT PARTS,  
CONTACT YOUR VISSCHER DEALER.

FOR ADDITIONAL INFORMATION PLEASE CALL THE NUMBER BELOW.  
PLEASE HAVE SERIAL NUMBER READY TO ENSURE QUICK SERVICE.



## PANELS / PANNEAUX

 1X PASSIVE ACTIVE <input type="checkbox"/> 2140	 7X <input type="checkbox"/> 2420	 3X <input type="checkbox"/> 2422
<input type="checkbox"/> 1X 2086 <input type="checkbox"/> 1X 2087 <input type="checkbox"/> 22X 2069 <input type="checkbox"/> 1X 2081 <input type="checkbox"/> 1X 2099	     	 <input type="checkbox"/> 2326

## TRUSS FRAME / FERME DE TOIT

<input type="checkbox"/> 4X 1039	
<input type="checkbox"/> 4X 1304	
<input type="checkbox"/> 4X 2191	
<input type="checkbox"/> 4X 2192	

## ROOFING PARTS / PIÈCES DE TOITURE

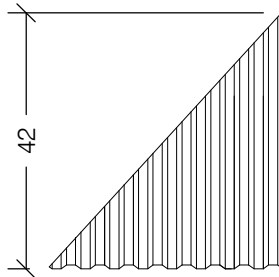
<input checked="" type="checkbox"/> 1X 1170	
<input type="checkbox"/> 4X 2541	
<input type="checkbox"/> 1X 1459	
<input type="checkbox"/> 4X 1465	
<input type="checkbox"/> 4X 2546	
<input type="checkbox"/> 8X 1824	
<input type="checkbox"/> 4X 2111	
<input type="checkbox"/> 4X 2112	
<input type="checkbox"/> 4X 2556	
<input type="checkbox"/> 4X 2557	
<input type="checkbox"/> 1X 2166	
<input type="checkbox"/> 4X 2178	
<input type="checkbox"/> 4X 2179	



ROOFING / TOITURE

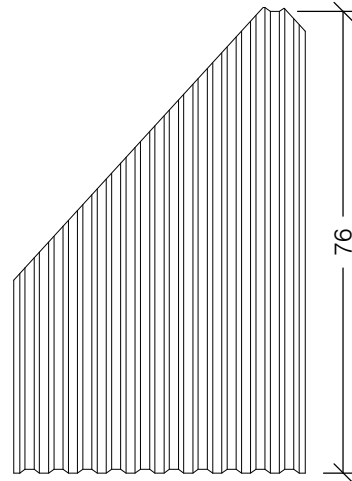


4X



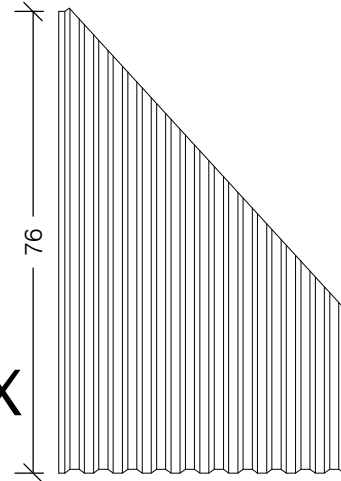
1868

4X



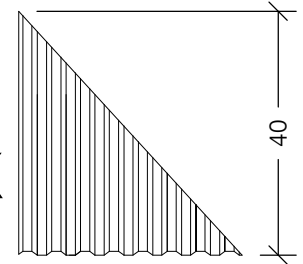
1866

4X



1867

4X



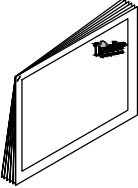
1869

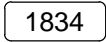
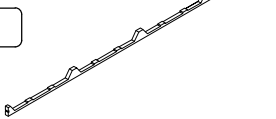


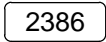
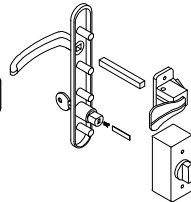


1X  ROBERTSON BIT/  
EMBOUT ROBERTSON

1X  1/4" HEX HEAD BIT/  
EMBOUT À TÊTE  
HEXAGONALE DE 1/4 PO

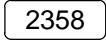
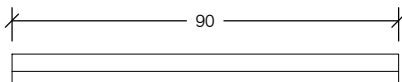
1X  INSTRUCTION MANUAL /  
MANUEL D'INSTRUCTION

16X  1834 

1X  2386 

1X  2387 

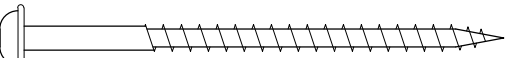
1X  2033 

4X  2358 

Ⓐ 86X  1 1/2" #8 FLAT HEAD (#2 ROBERTSON)  
1 1/2 PO À TÊTE PLATE NO 8 (no 2 ROBERTSON)

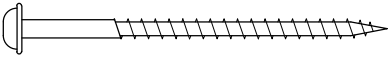
Ⓑ 209X  2 1/2" #8 FLAT HEAD (#2 ROBERTSON)  
2 1/2 PO À TÊTE PLATE NO 8 (no 2 ROBERTSON)

Ⓒ 24X  3 1/2" #10 FLAT HEAD (#2 ROBERTSON)  
3 1/2 PO À TÊTE PLATE no 10 (no 2 ROBERTSON)

Ⓕ 52X  2 1/2" PAN HEAD ROBERTSON SCREWS (#2 ROBERTSON)  
2 1/2 PO À TÊTE TRONCONIQUE no 8 (no 2 ROBERTSON)

Ⓘ 164X  1" #10 METAL ROOF SCREW (1/4" HEAD)  
1 PO TOITURE DE METAL no 10 (TETE DE 1/4 po)

Ⓜ 12X  3" SCREW #8 HEX HEAD (1/4" HEAD)  
3 PO À TÊTE HEXAGONALE no 8 (TÊTE DE 1/4 de po)

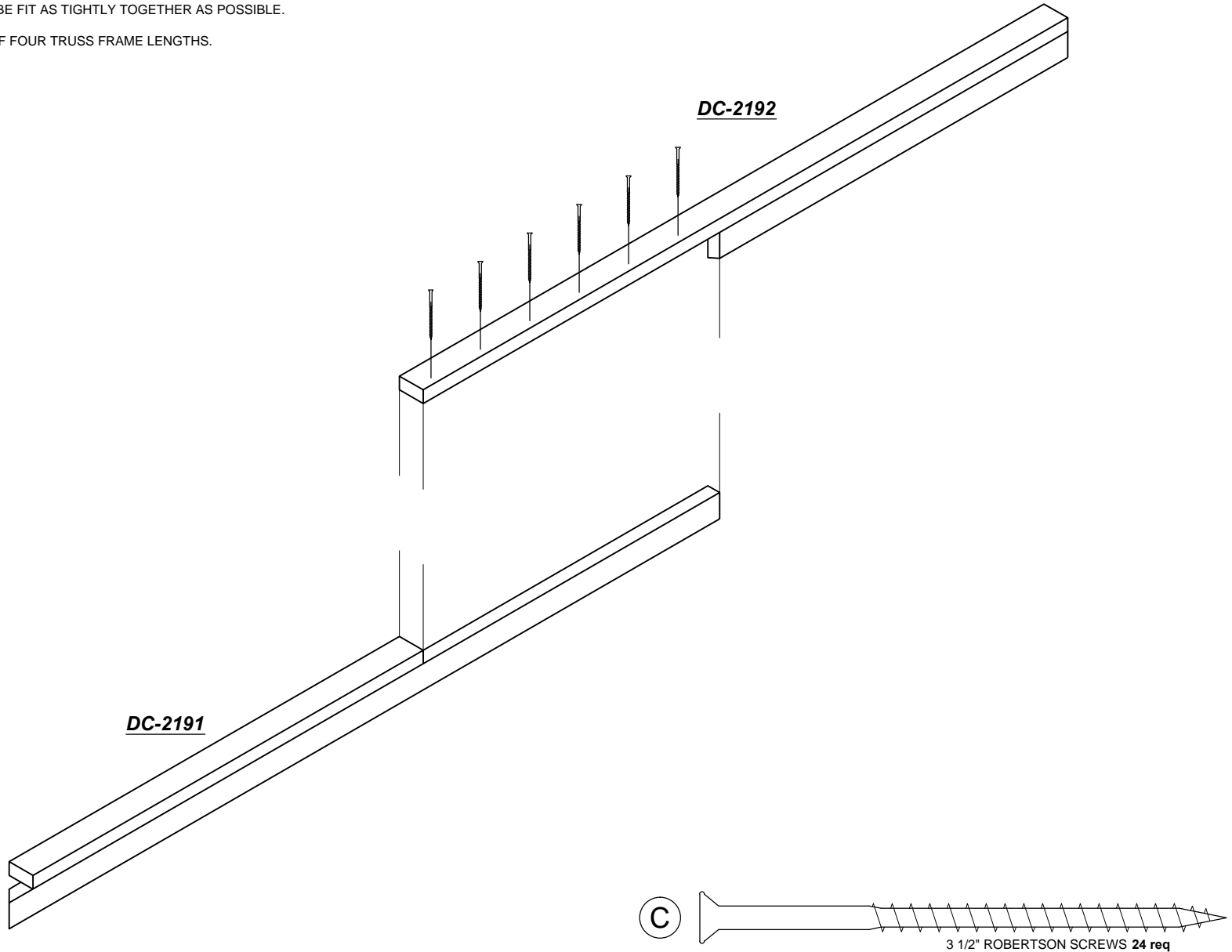
Ⓟ 32X  2" PAN HEAD ROBERTSON SCREWS (#2 ROBERTSON)  
2 PO À TÊTE TRONCONIQUE no 8 (no 2 ROBERTSON)



ATTACH TOGETHER ONE RIGHT TRUSS FRAME PIECE (DC 2192) AND ONE LEFT TRUSS FRAME PIECE (DC 2191).

THE COMPONENTS SHOULD BE FIT AS TIGHTLY TOGETHER AS POSSIBLE.

REPEAT TO BUILD A TOTAL OF FOUR TRUSS FRAME LENGTHS.



FLIP THE FOUR TRUSS FRAME LENGTHS OVER AND LAY THEM OUT TO FORM A SQUARE.

ATTACH THE CORNERS TOGETHER AS SHOWN IN DIAGRAM 1.

FASTEN ALL FOUR CORNERS IN THE SAME FASHION.

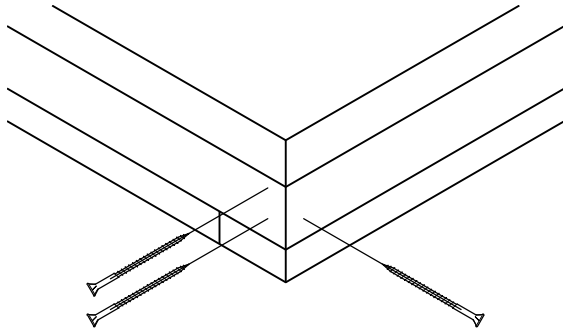
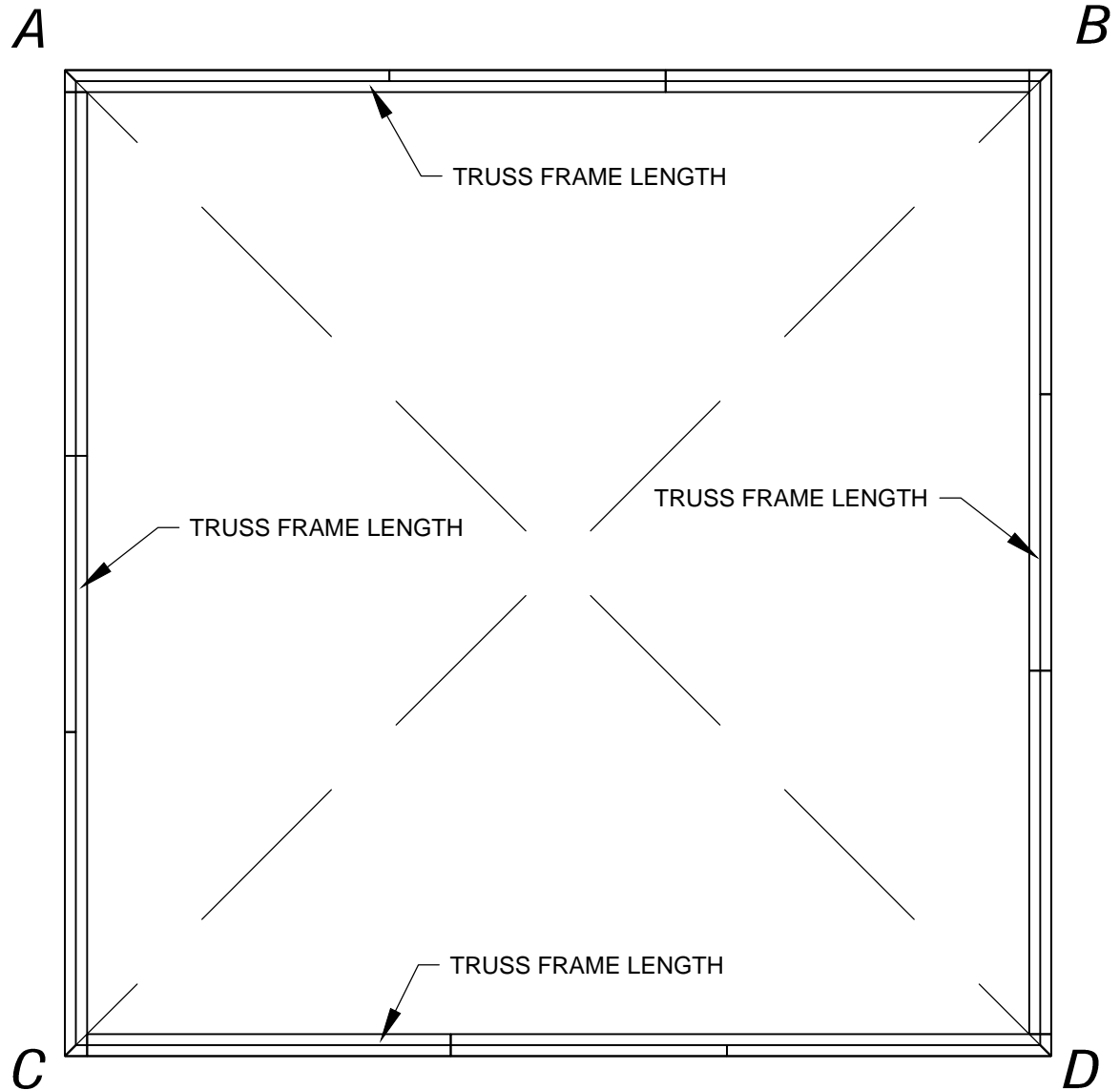
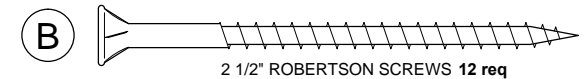


DIAGRAM 1



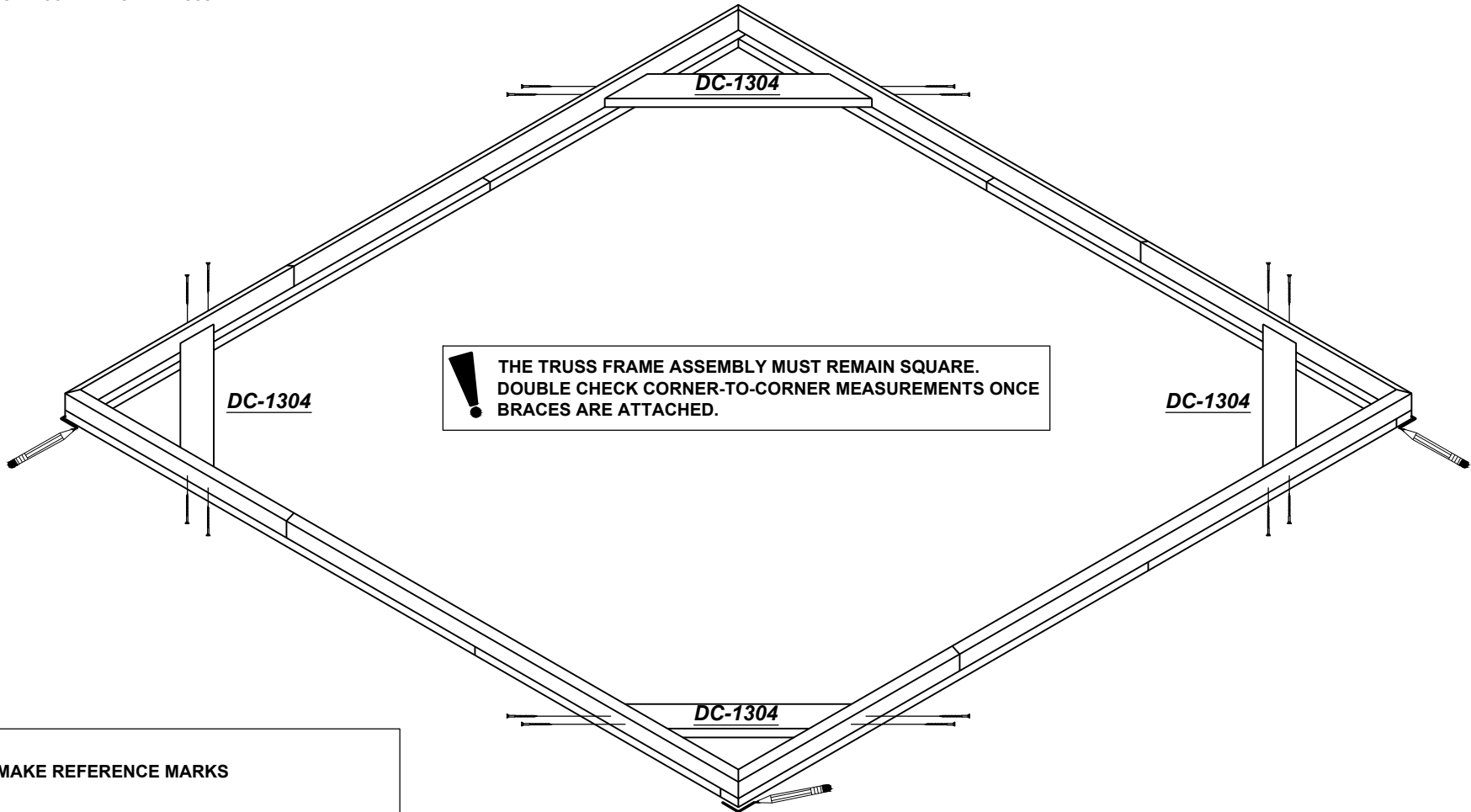
**! THE TRUSS FRAME ASSEMBLY MUST BE SQUARE**

MEASURE THE TRUSS FRAME TO VERIFY SQUARENESS.  
 THE MEASUREMENT FROM "A" TO "D" MUST EQUAL "B" TO "C".  
 ADJUST THE TRUSS FRAME UNTIL BOTH MEASUREMENTS ARE EQUAL.  
 A TO D = B TO C



2 1/2" ROBERTSON SCREWS 12 req

ATTACH FOUR TRUSS FRAME BRACES (DC 1304).  
KEEP THE BRACES TIGHT TO THE BOTTOM PLATE.  
THIS STEP COMPLETES THE TRUSS FRAME.



**!** THE TRUSS FRAME ASSEMBLY MUST REMAIN SQUARE.  
DOUBLE CHECK CORNER-TO-CORNER MEASUREMENTS ONCE  
BRACES ARE ATTACHED.

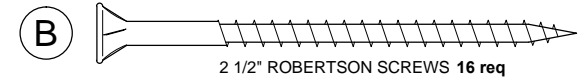
**!** MAKE REFERENCE MARKS

LAY THE SQUARED TRUSS FRAME ASSEMBLY AT THE EXACT LOCATION YOU WISH YOUR GAZEBO TO BE.

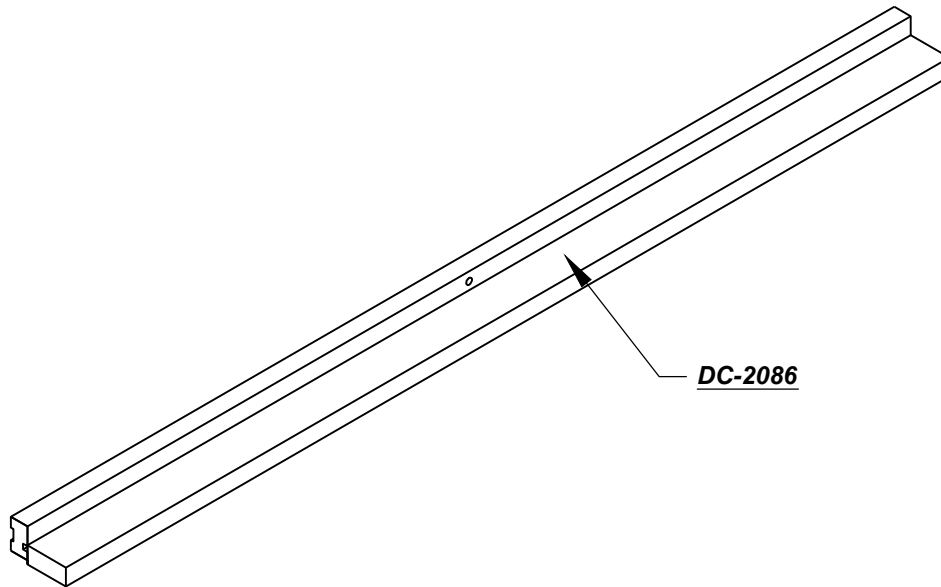
USING A PENCIL OR MARKER, TRACE THE OUTSIDE EDGES OF ALL FOUR CORNERS ONTO THE GROUND.

THESE MARKINGS WILL BE HELPFUL IN PLACING YOUR CORNER POSTS AND PANELS IN THE STEPS TO COME.

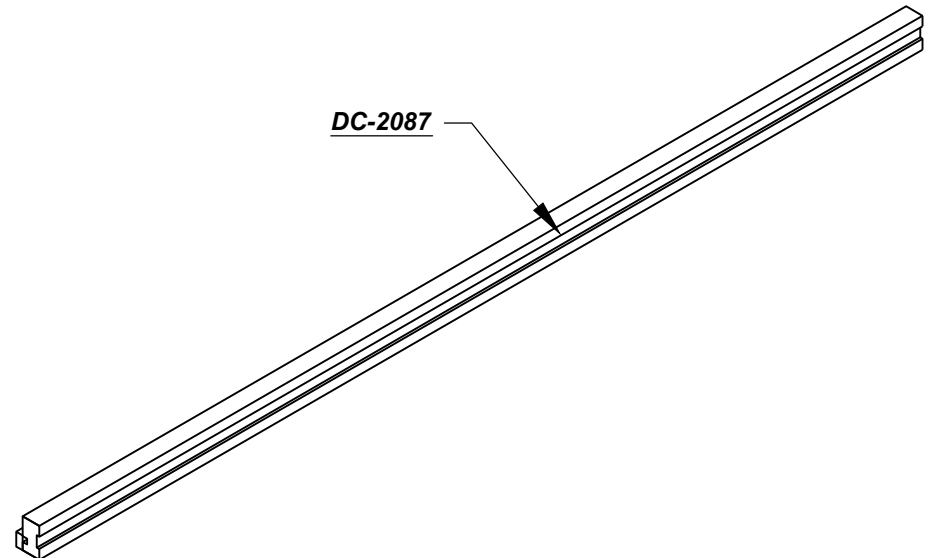
ONCE MARKINGS ARE COMPLETE, MOVE THE TRUSS FRAME UP AND OUT OF THE WAY.



LAY THE DOOR HEADER (DC 2086) AND DOOR THRESHOLD (DC 2087) FLAT ON THE GROUND.

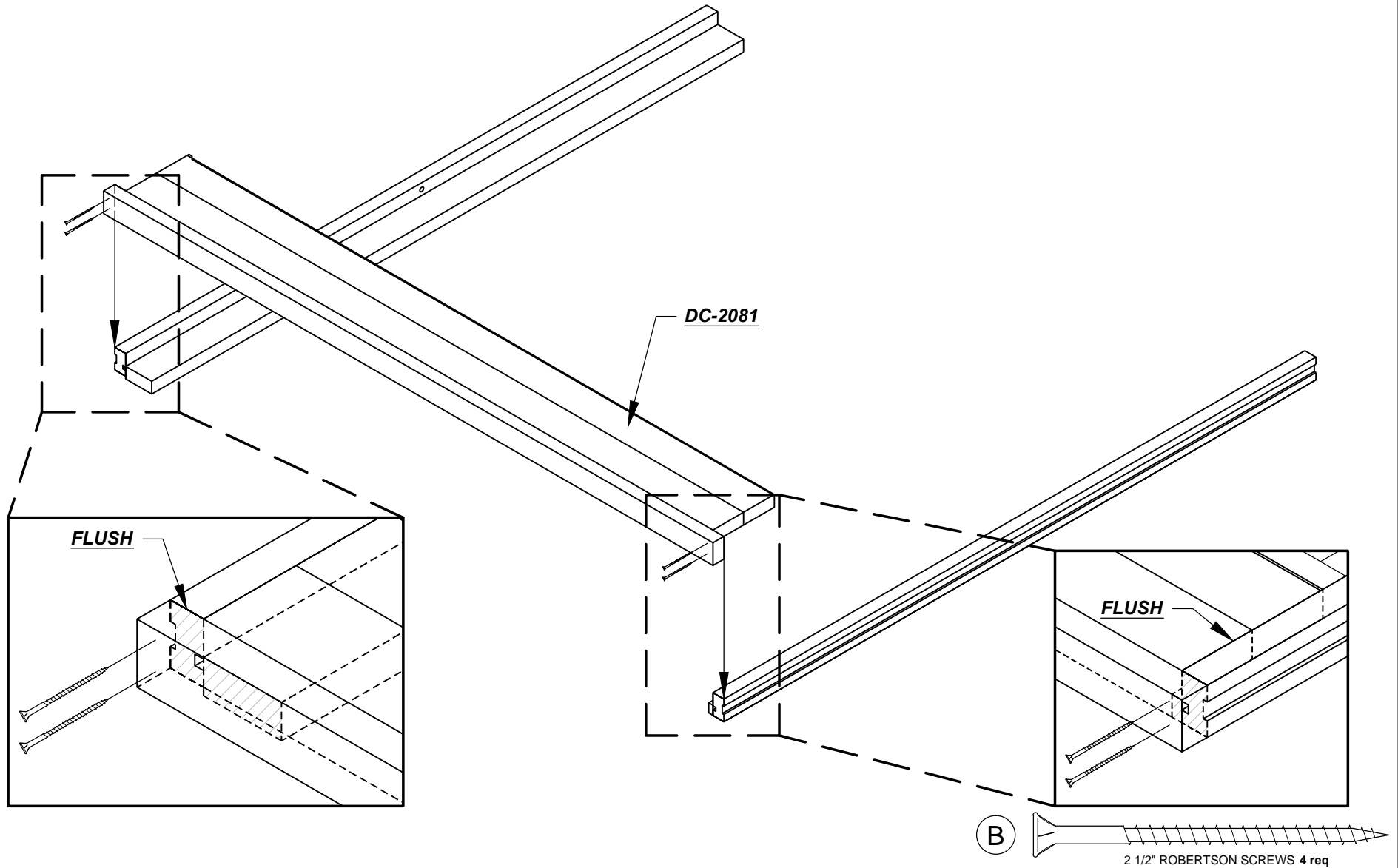


DC-2086

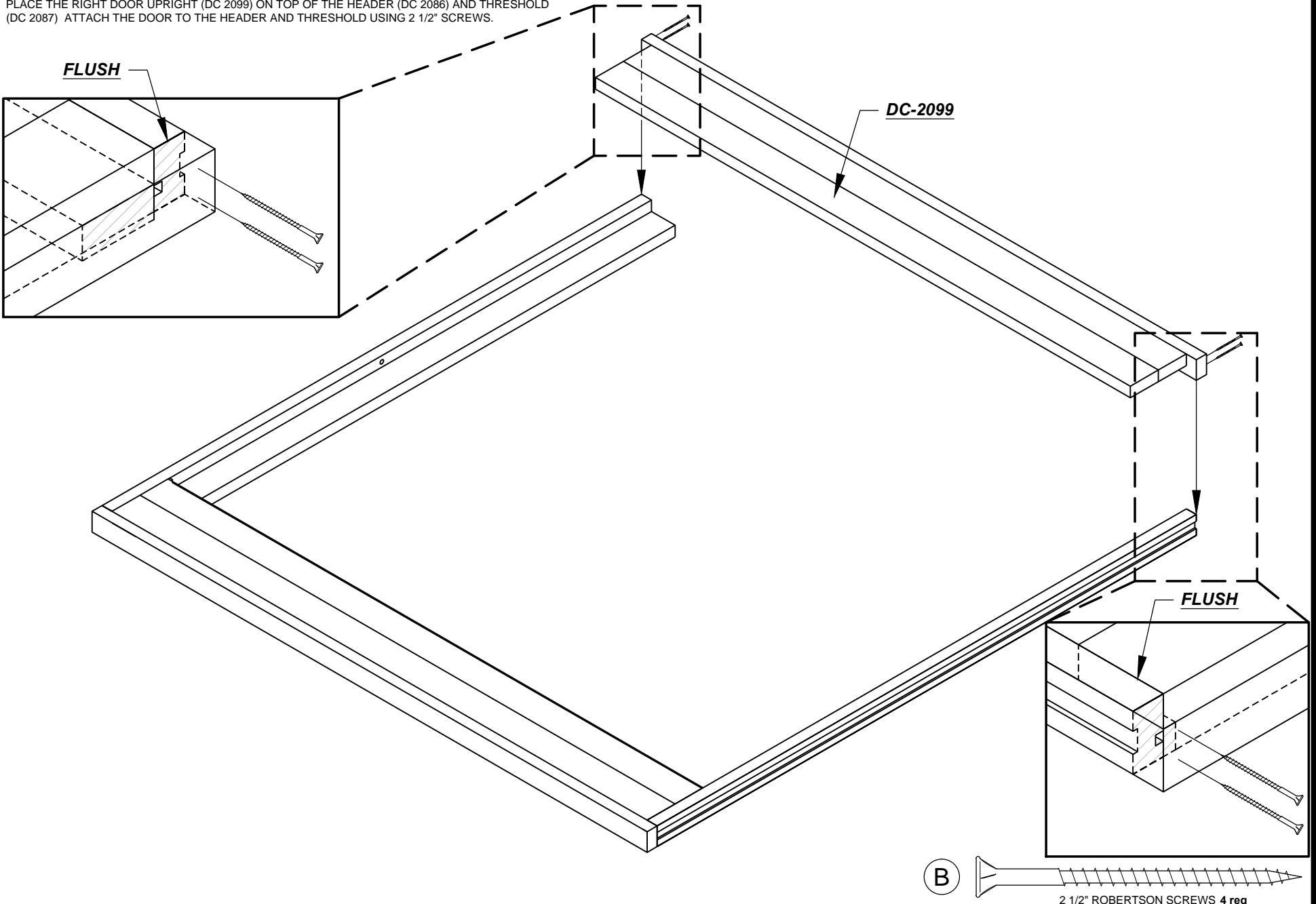


DC-2087

PLACE THE LEFT DOOR UPRIGHT (DC 2081) ON TOP OF THE DOOR HEADER (DC 2086) AND DOOR THRESHOLD (DC 2087) ATTACH THE DOOR TO THE HEADER AND THRESHOLD USING 2 1/2" SCREWS.

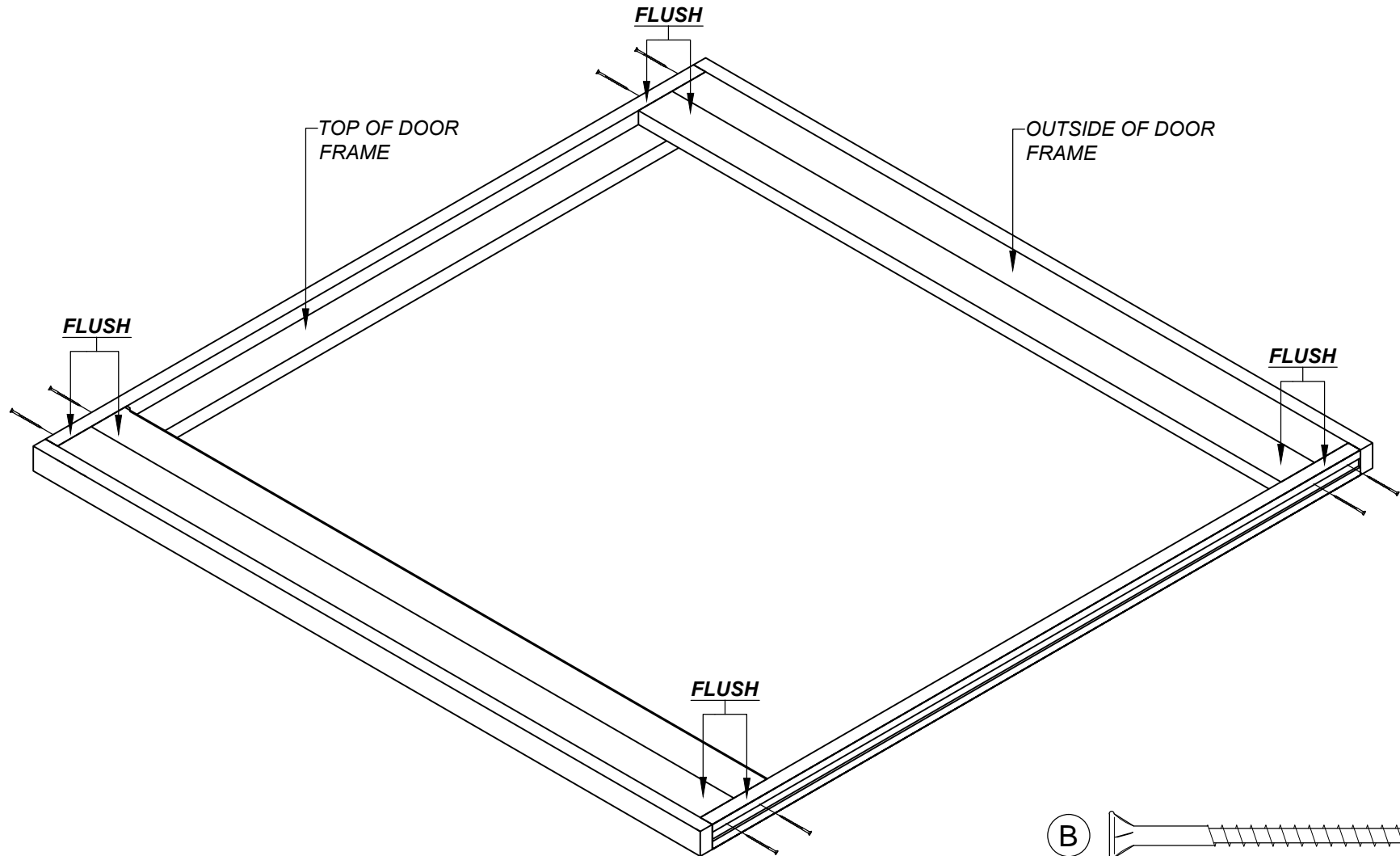


PLACE THE RIGHT DOOR UPRIGHT (DC 2099) ON TOP OF THE HEADER (DC 2086) AND THRESHOLD (DC 2087) ATTACH THE DOOR TO THE HEADER AND THRESHOLD USING 2 1/2" SCREWS.

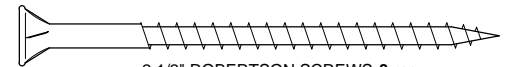




CONTINUE TO FASTEN THE HEADER (DC 2086) AND THRESHOLD (DC 2087) TO THE LEFT AND RIGHT UPRIGHTS (DC 2081, DC 2099) USING 2 1/2" SCREWS AT THE LOCATIONS SHOWN.



(B)



2 1/2" ROBERTSON SCREWS 8 req



## **OPTIONAL BAY KIT**

IF YOU HAVE PURCHASED AN OPTIONAL BAY WALL KIT FOR YOUR OUTDOOR STRUCTURE, PLEASE MOVE ON TO STEP ONE OF THE INSTRUCTIONS PROVIDED WITH THE BAY KIT AT THIS TIME.

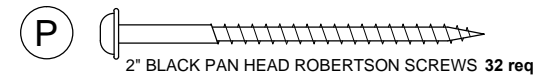
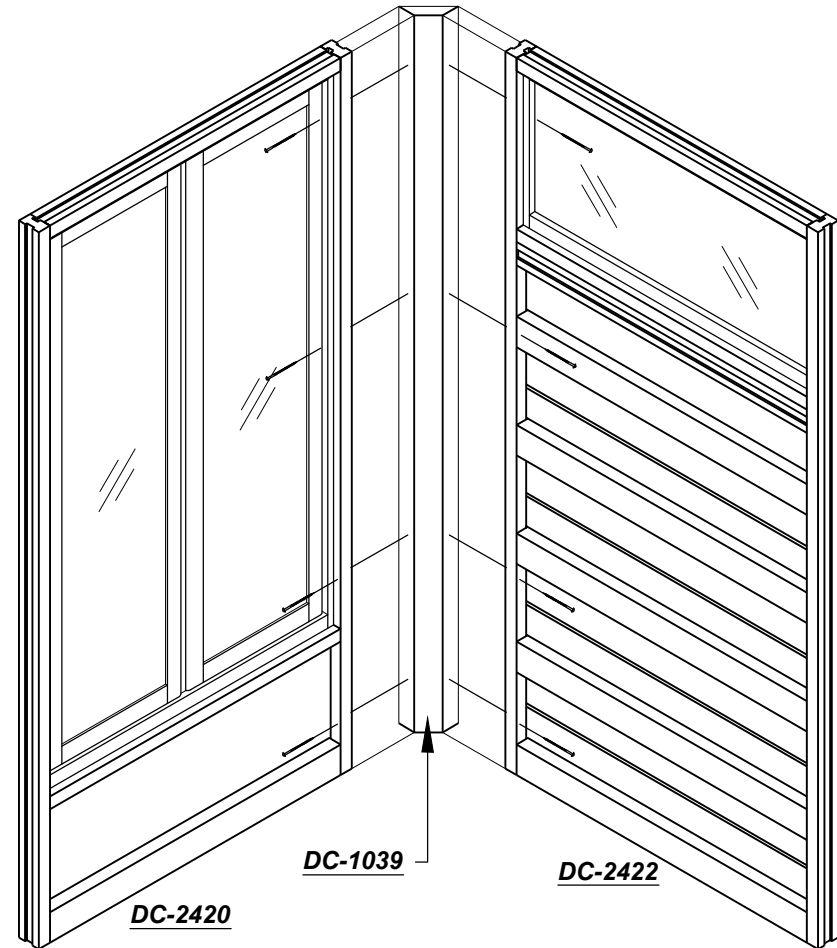
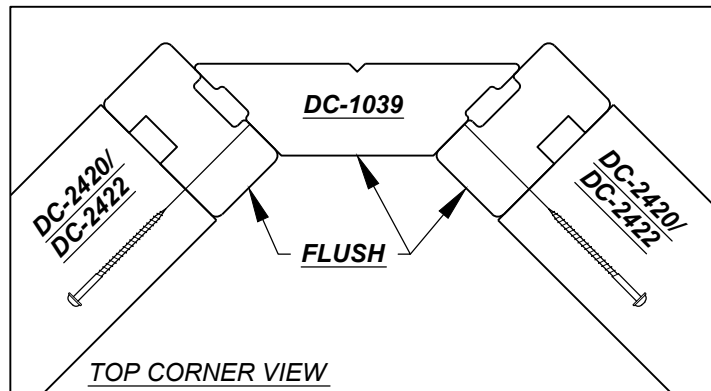
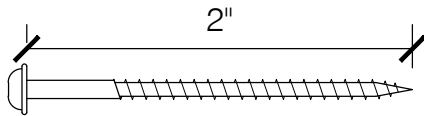
ATTACH WALL PANELS (DC 2420 and/or 2422) OR DOOR PANEL ASSEMBLY TO EACH CORNER POST (DC 1039). NOTE THE SCREW LOCATIONS IN THE DIAGRAM.

WALL PANELS ARE TO BE FLUSH WITH THE INSIDE OF THE POST AND FLUSH AT TOP AND BOTTOM.

IF YOU WANT THE DOOR TO BE LOCATED TIGHT TO A CORNER, SUBSTITUTE A WALL PANEL FOR THE DOOR PANEL.  
MOVE ALL FOUR ASSEMBLIES TO THE GROUND REFERENCE MARKERS FROM STEP THREE.

**! P 2" SCREWS**

CRITICAL TO USE 2" SCREWS FOR FASTENING POSTS TO PANELS



USING 2 1/2" PANHEAD ROBERTSON SCREWS ATTACH THE REMAINDER WALL PANELS (DC 2120/2122) AND THE DOOR PANEL ASSEMBLY. CONTINUE THE SAME SCREW PATTERN FROM THE PREVIOUS STEP.

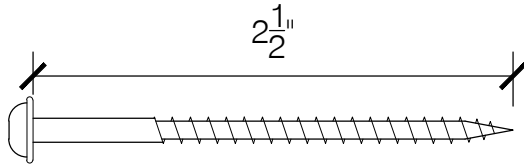
WALL PANELS ARE TO BE FLUSH WITH EACH OTHER AND FLUSH AT TOP AND BOTTOM.

REFERENCE MARK

REFERENCE MARK

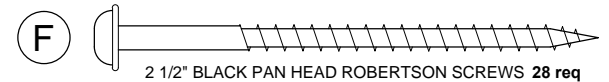
**! (F) 2 1/2" SCREWS**

CRITICAL TO USE 2 1/2" SCREWS FOR FASTENING THE PANELS TOGETHER.



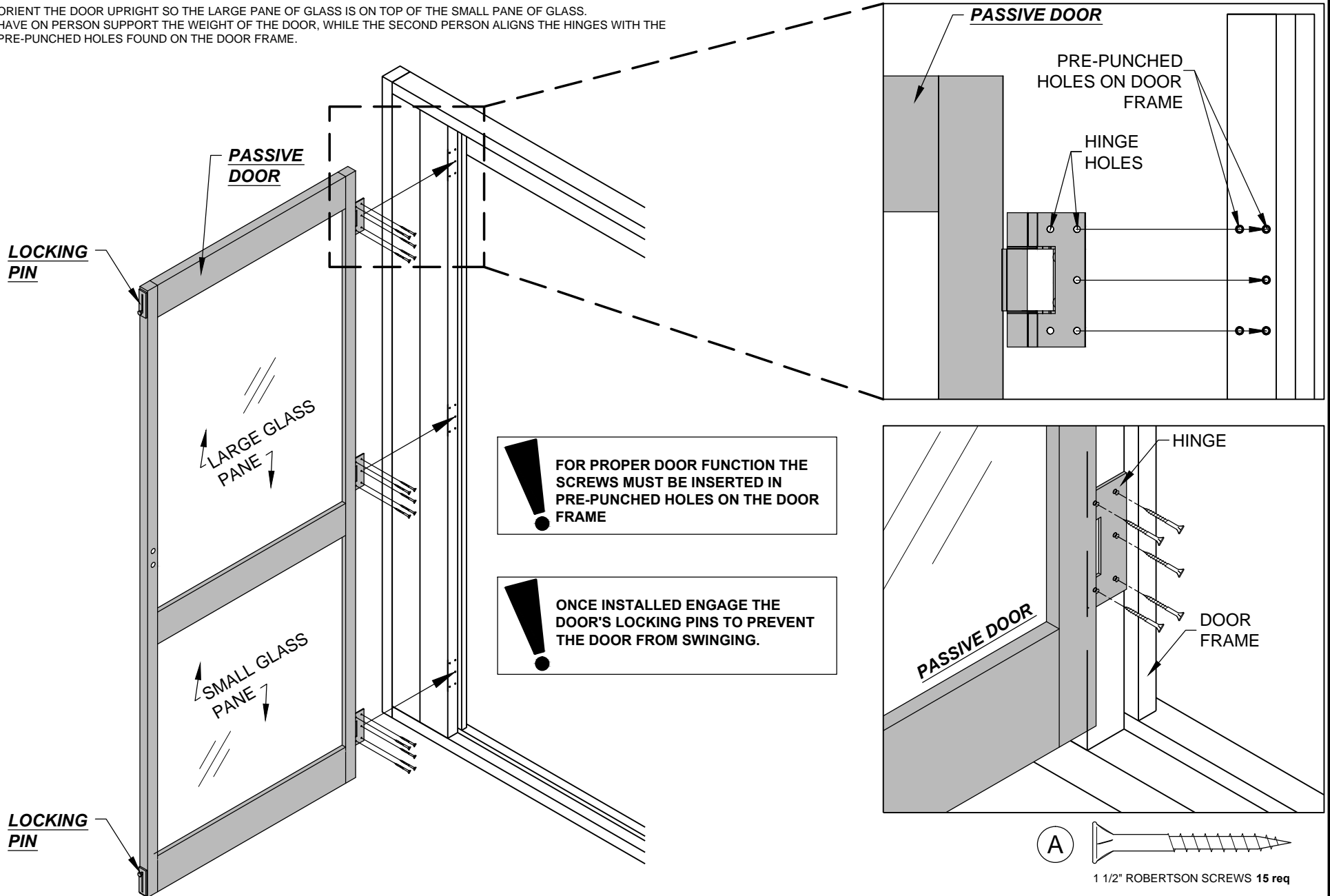
REFERENCE MARK

REFERENCE MARK



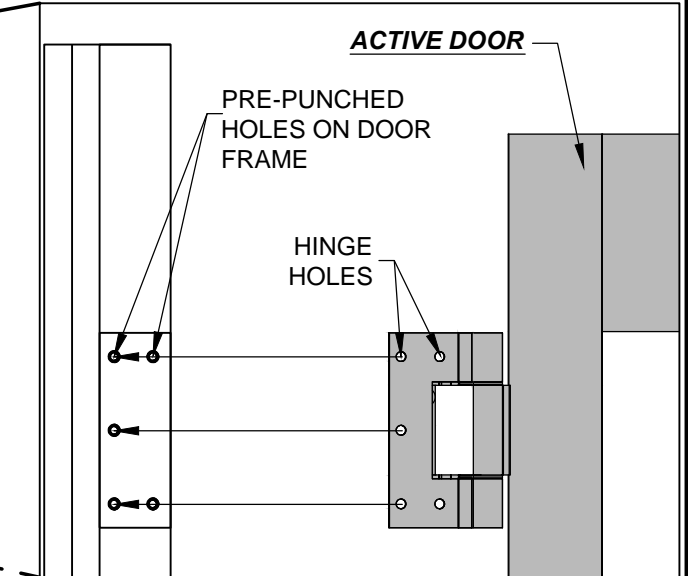
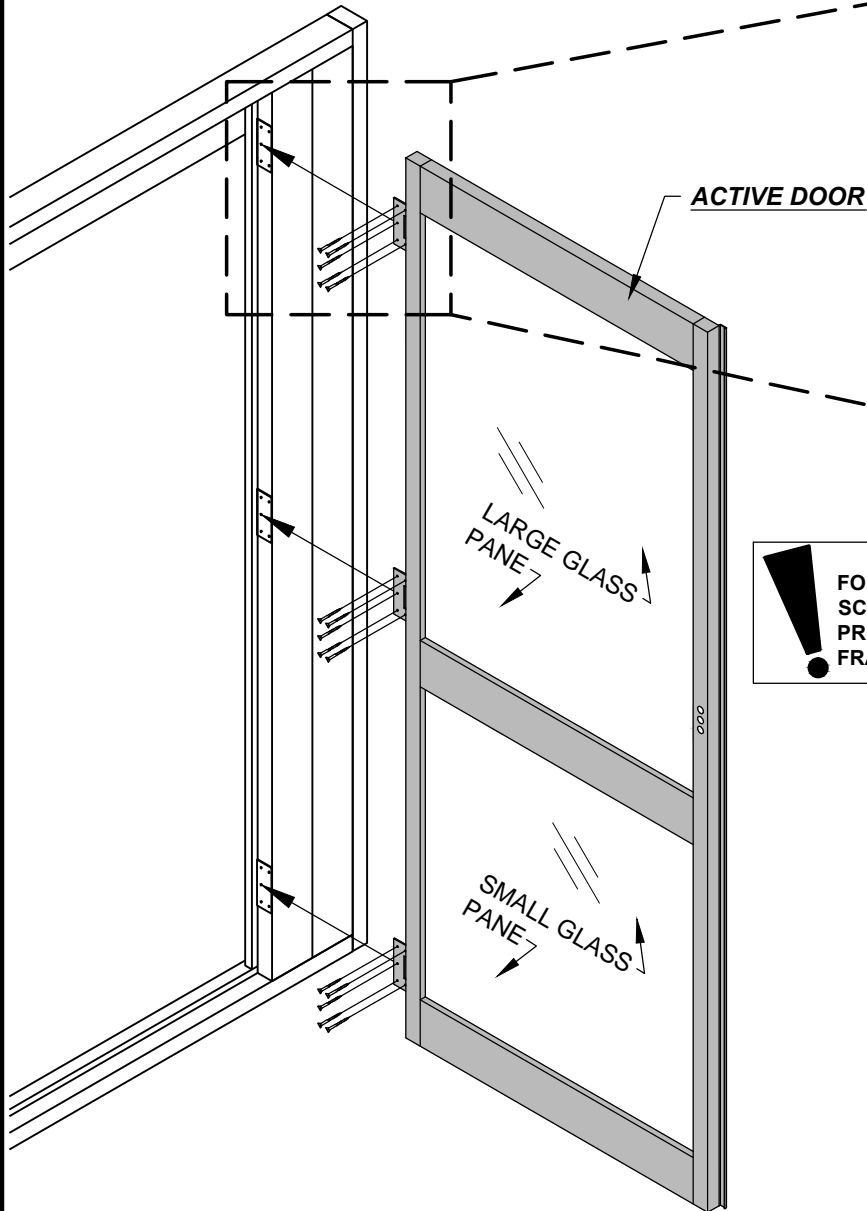
OPEN THE BOX LABELED DC 2140 AND LOCATE THE PASSIVE DOOR.

ORIENT THE DOOR UPRIGHT SO THE LARGE PANE OF GLASS IS ON TOP OF THE SMALL PANE OF GLASS. HAVE ONE PERSON SUPPORT THE WEIGHT OF THE DOOR, WHILE THE SECOND PERSON ALIGNS THE HINGES WITH THE PRE-PUNCHED HOLES FOUND ON THE DOOR FRAME.

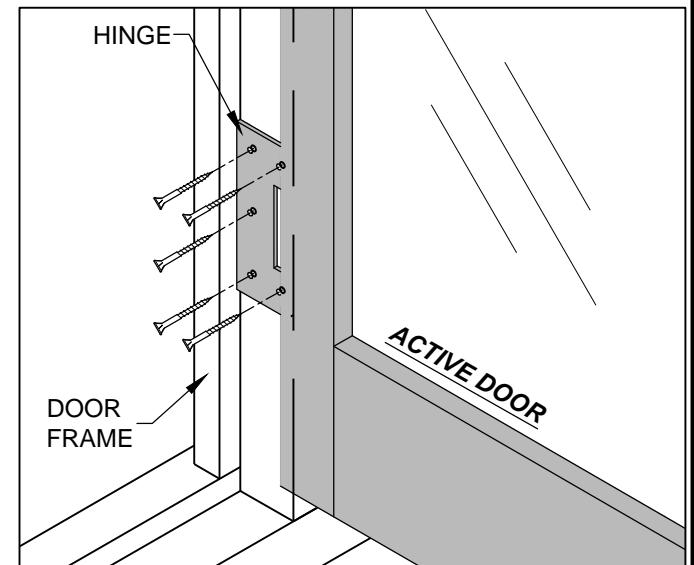


LOCATE THE ACTIVE DOOR.

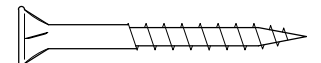
ORIENT THE DOOR UPRIGHT SO THE LARGE PANE OF GLASS IS ON TOP OF THE SMALL PANE OF GLASS. HAVE ONE PERSON SUPPORT THE WEIGHT OF THE DOOR, WHILE THE SECOND PERSON ALIGNS THE HINGES WITH THE PRE-PUNCHED HOLES FOUND ON THE DOOR FRAME.



**!** FOR PROPER DOOR FUNCTION THE SCREWS MUST BE INSERTED IN PRE-PUNCHED HOLES ON THE DOOR FRAME



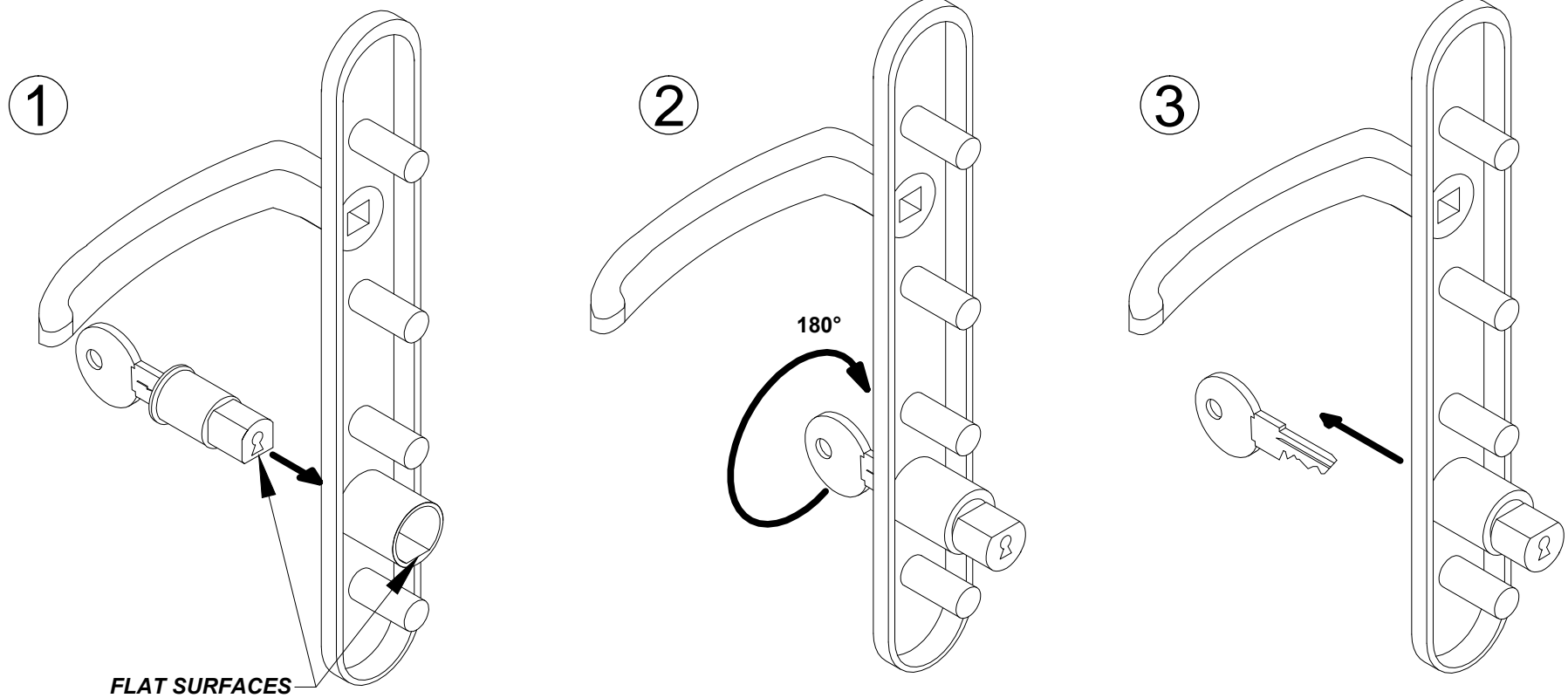
(A)



1 1/2" ROBERTSON SCREWS 15 req

LOCATE THE DOOR HANDLE (DC 2386) AND ASSEMBLE THE LOCK

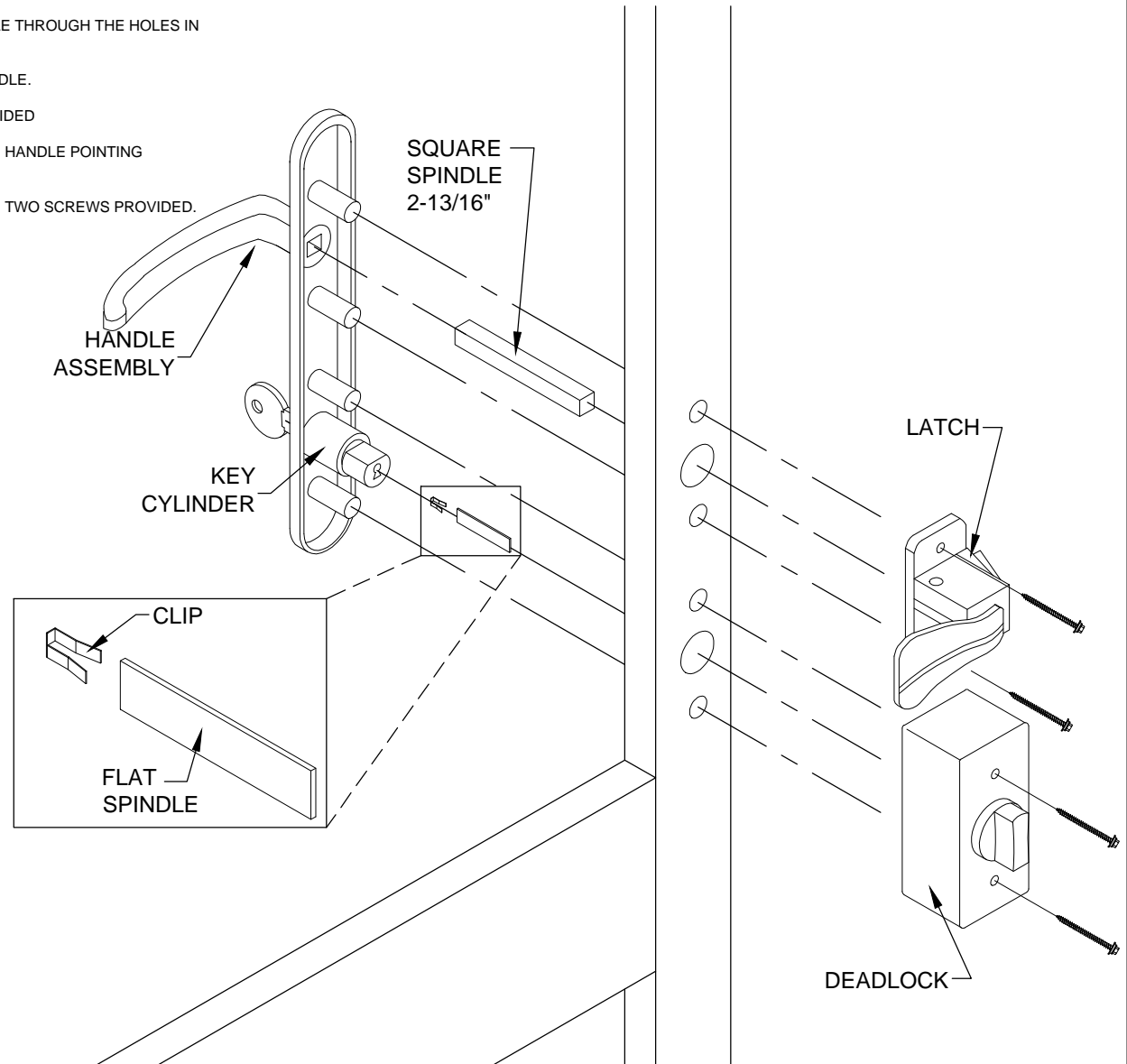
- ① ORIENTATE FLAT SURFACES
- ② TURN KEY 180° IN THE COUNTER-CLOCKWISE DIRECTION
- ③ REMOVE KEY FROM LOCK ASSEMBLY



ASSEMBLE AND ATTACH THE DOOR HANDLE AND LATCH (DC 2386) TO THE ACTIVE (RIGHT) DOOR. USE THE HARDWARE PACK PROVIDED.

- ① INSERT THE 2 13/16" SQUARE SPINDLE INTO THE HANDLE. TIGHTEN THE SET SCREW WITH THE ALLEN KEY
- ② INSERT THE CLIP OVER THE FLAT SPINDLE ALL THE WAY INTO THE KEY CYLINDER
- ③ GUIDE THE HANDLE ASSEMBLY, WITH THE FLAT SPINDLE AND SQUARE SPINDLE THROUGH THE HOLES IN THE DOOR
- ④ ON THE INSIDE OF THE DOOR, POSITION THE DEADLOCK OVER THE FLAT SPINDLE.
- ⑤ FASTEN THE DEADLOCK TO THE HANDLE ASSEMBLY WITH THE SCREWS PROVIDED
- ⑥ HOLD THE OUTSIDE HANDLE IN ITS PROPER POSITION (HORIZONTAL WITH THE HANDLE POINTING TOWARDS THE HINGE).
- ⑦ GUIDE THE LATCH OVER THE SQUARE SPINDLE. FASTEN THE LATCH WITH THE TWO SCREWS PROVIDED.

DISCARD ALL REMAINING HARDWARE FROM THE PACK.

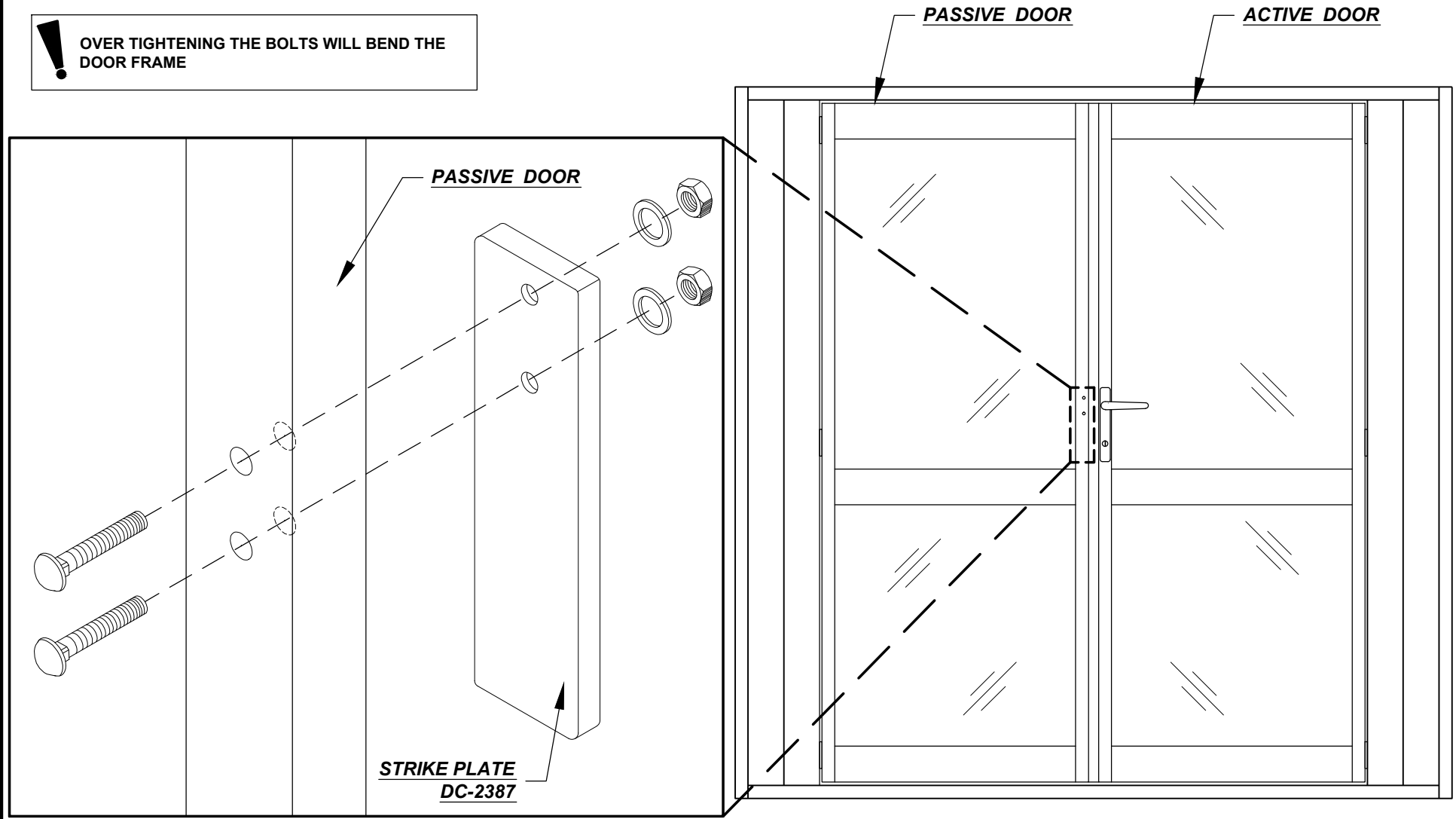




SLIDE THE TWO 1-3/4" CARRIAGE BOLTS THROUGH THE TWO HOLES OF THE PASSIVE LEFT DOOR FROM THE OUTSIDE IN.

SLIP THE STRIKE PLATE (DC 2387) OVER THE ENDS OF THE BOLTS. TIGHTEN THE STRIKE PLATE TO THE DOOR WITH WASHERS AND NUTS

**!** OVER TIGHTENING THE BOLTS WILL BEND THE DOOR FRAME



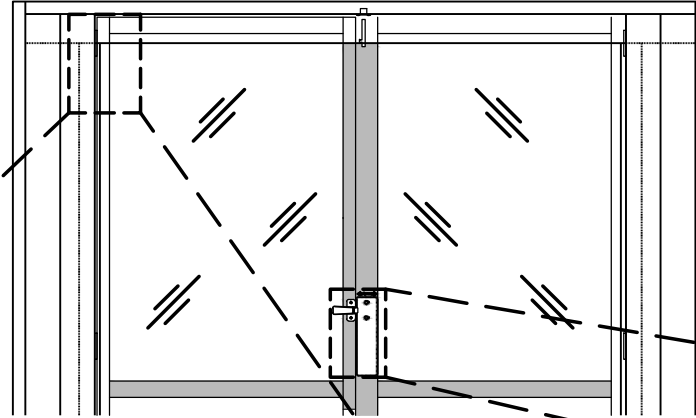
**DOOR ALIGNMENT**

TO ADJUST AND ALIGN THE DOORS, USE THE BLACK PLASTIC SHIMS AS PROVIDED

WORK ON ONE HINGE AT A TIME

ADD SHIMS BETWEEN THE HINGE AND DOOR FRAME TO ADJUST THE DOORS ALIGNMENT AND ANGLE.

THE DOORS SHOULD SWING FREELY WITHOUT BINDING ON THE FRAME.

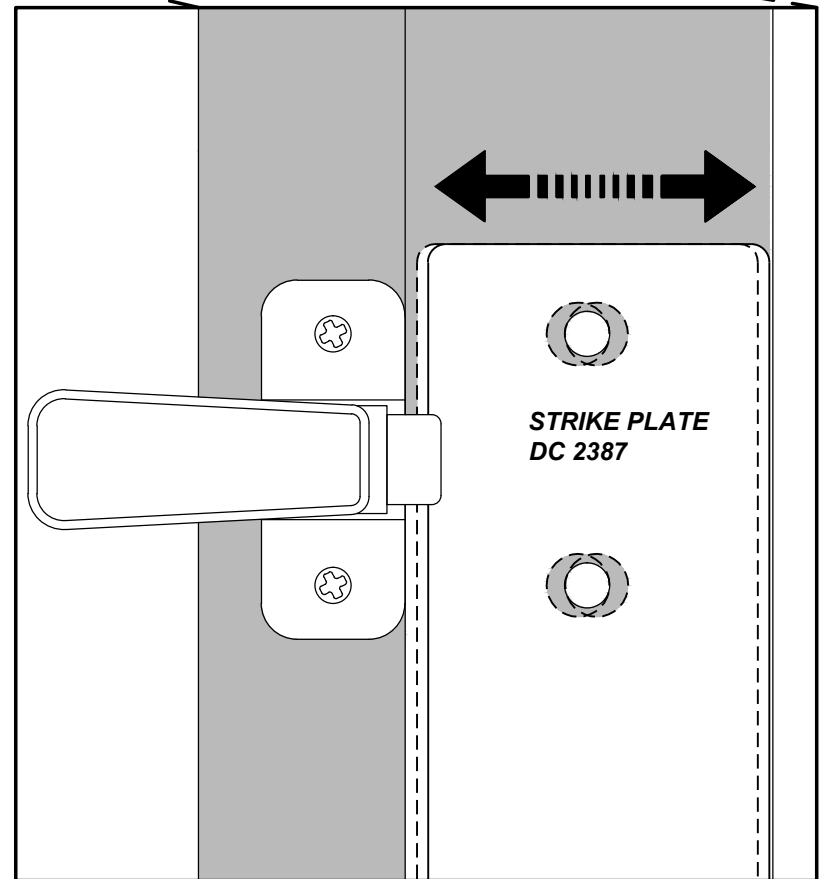
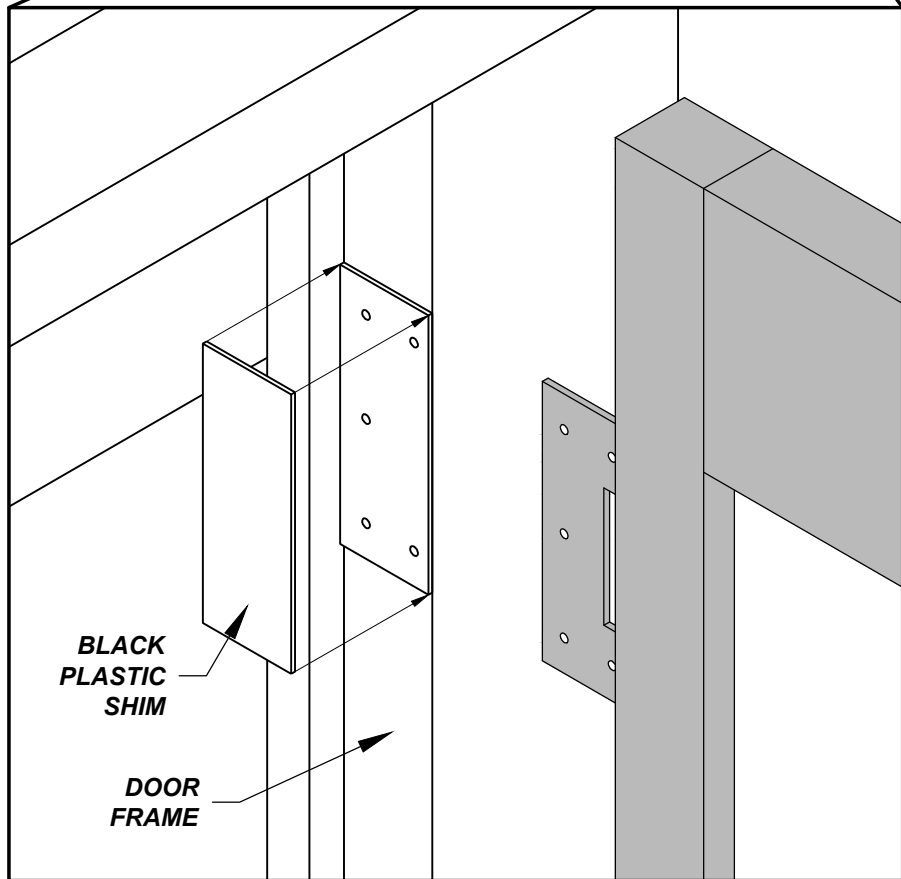


**LATCH ALIGNMENT**

LOOSEN THE NUTS FOUND AT THE STRIKE PLATE (DC 2387).

MOVE THE STRIKE PLATE (DC 2387) LEFT OR RIGHT UNTIL THE DOORS CLOSE FIRMLY.

TIGHTEN THE NUTS TO SET THE STRIKE PLATE.



INSTALL FILLER STRIPS FOR PANEL JOINTS

UNWRAP THE FILLER STRIPS (DC 2069).

SLIDE ONE FILLER STRIP IN EACH PANEL JOINT.

THE FILLER STRIPS WILL SIT LOOSE IN THE JOINTS.

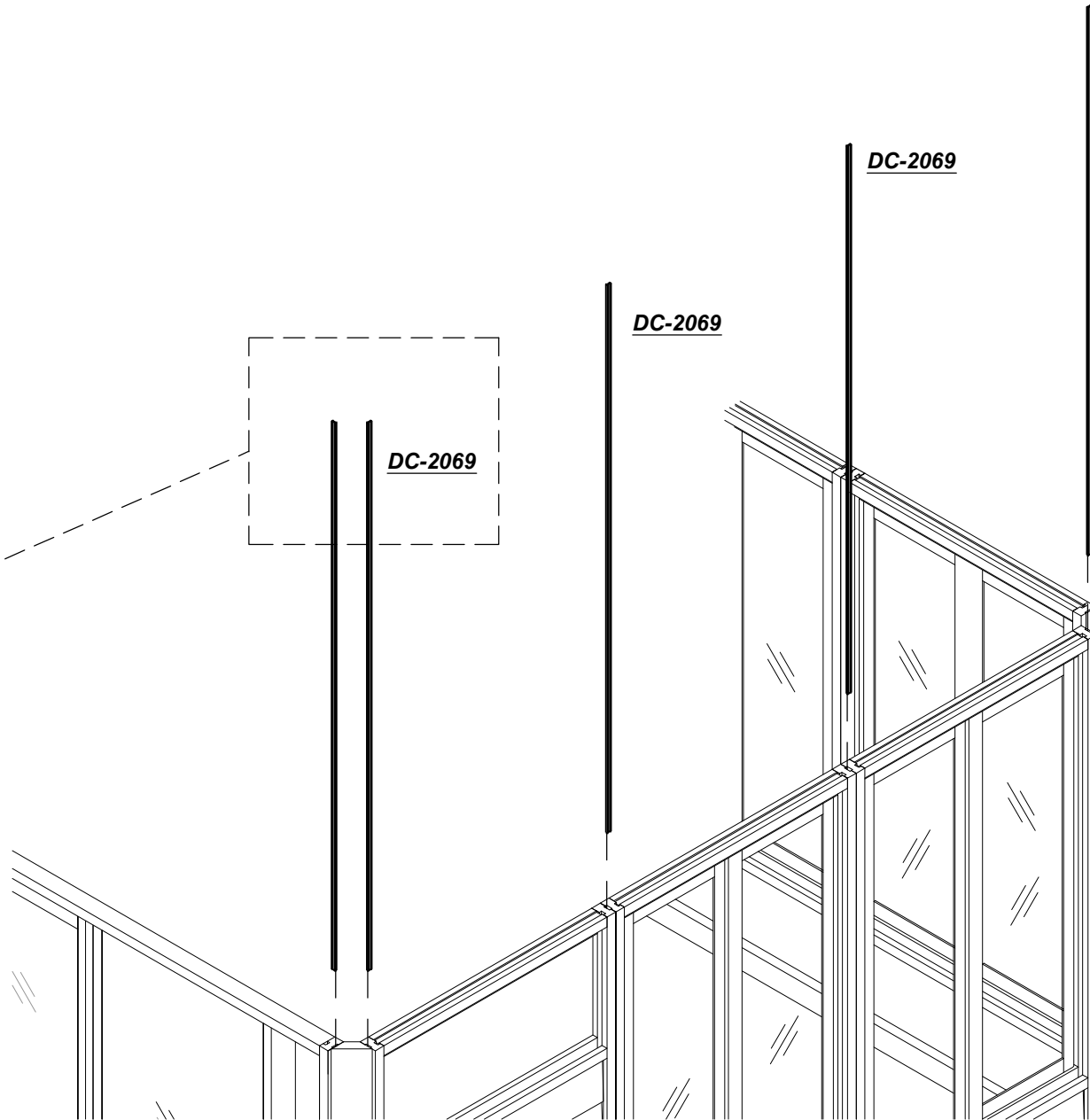
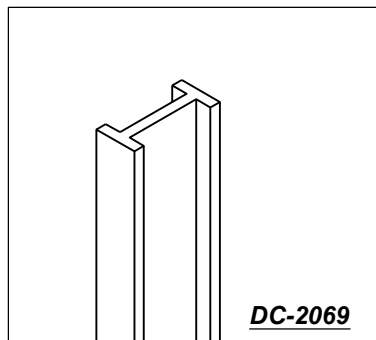
DC-2069

DC-2069

DC-2069

DC-2069

DC-2069



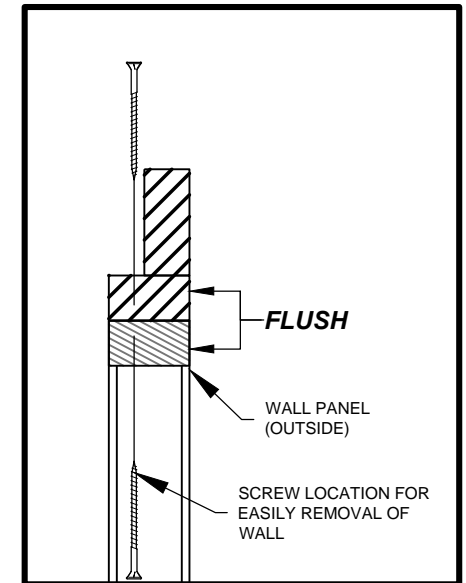
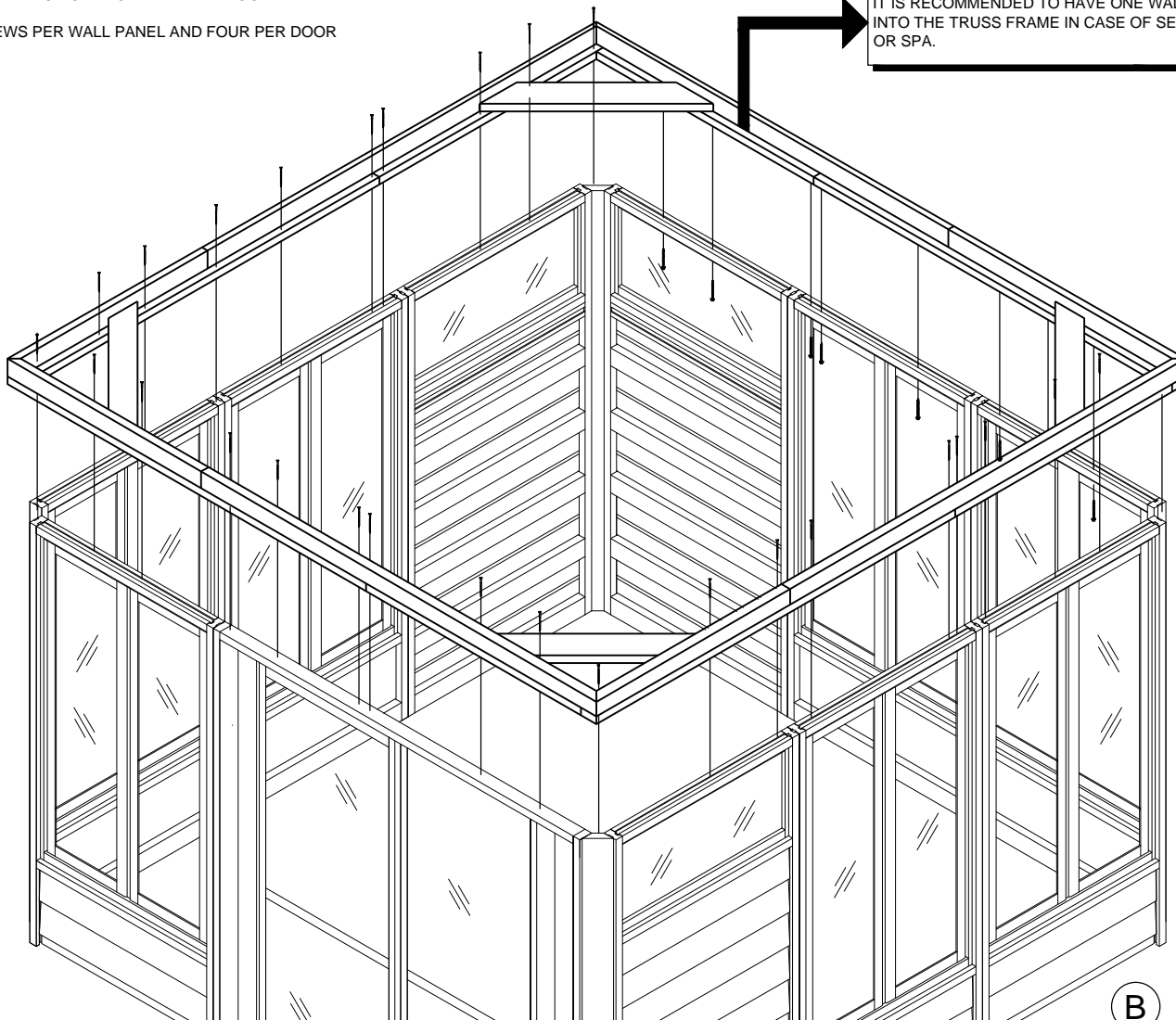
LIFT THE TRUSS FRAME ASSEMBLY AND CAREFULLY PLACE IT ON TOP OF THE STRUCTURE.

THE OUTSIDE SURFACE OF THE WALLS ARE TO BE FLUSH WITH THE OUTSIDE OF THE TRUSS FRAME ASSEMBLY.

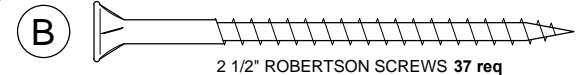
SCREW DOWN THROUGH THE PLATE OF THE TRUSS FRAME ASSEMBLY INTO THE TOP OF EACH WALL AND DOOR PANEL.

USE THREE SCREWS PER WALL PANEL AND FOUR PER DOOR PANEL.

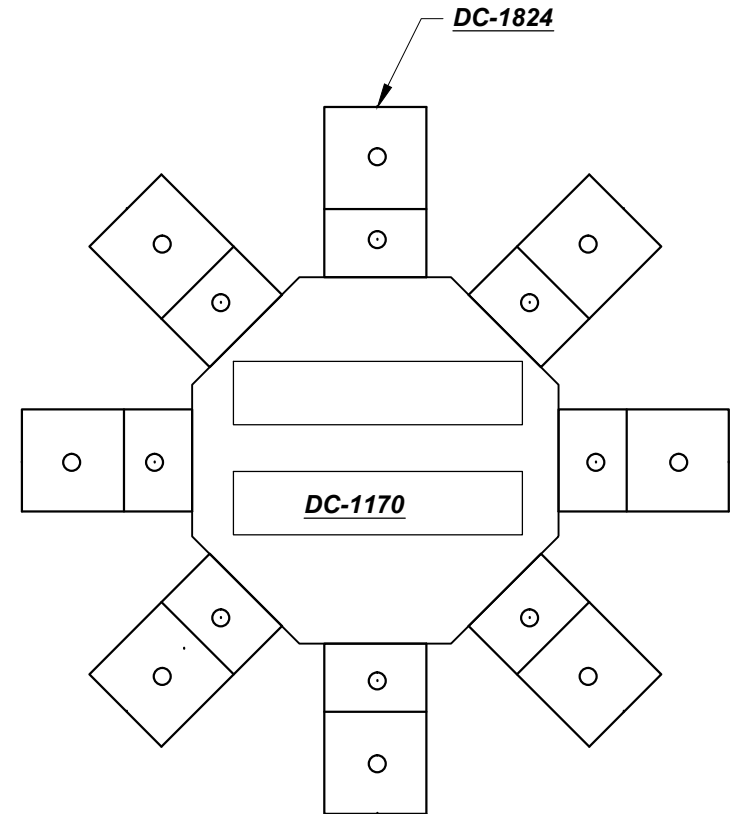
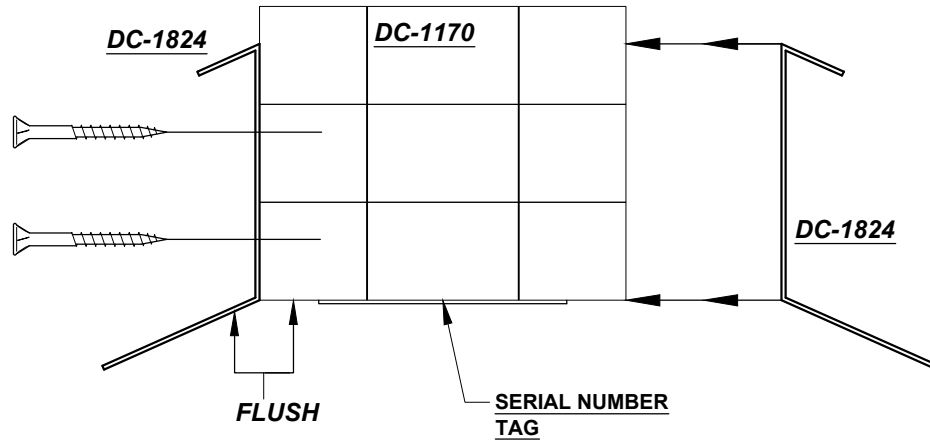
IT IS RECOMMENDED TO HAVE ONE WALL SCREWED FROM THE PANEL UP INTO THE TRUSS FRAME IN CASE OF SERVICING NEEDS FOR FURNITURE OR SPA.



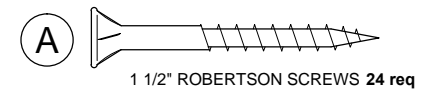
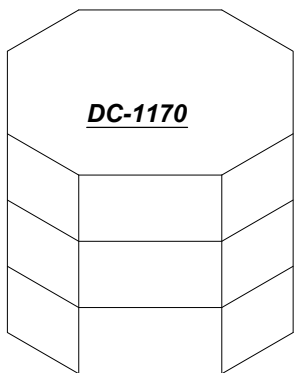
SECTION VIEW



ATTACH EIGHT METAL BRACKETS (DC 1824) TO THE OCTAGON PEAK SUPPORT (DC 1170) USING 1 1/2" SCREWS. SCREW THROUGH THE PRE-DRILLED HOLES IN THE BRACKET INTO THE OCTAGON PEAK SUPPORT.

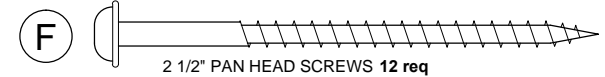
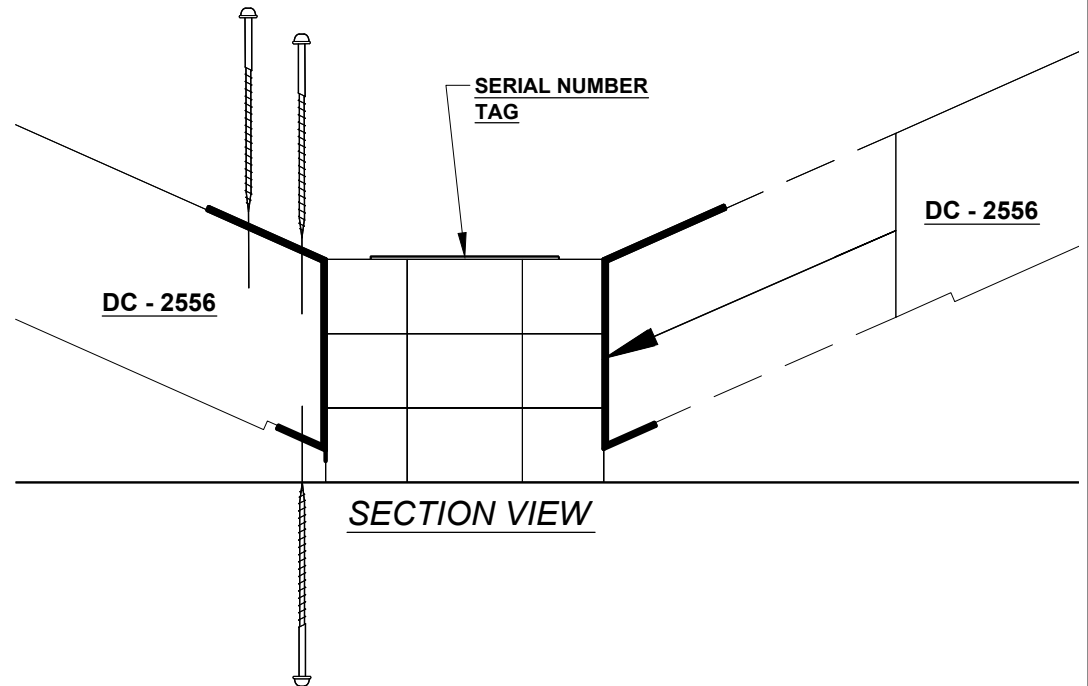
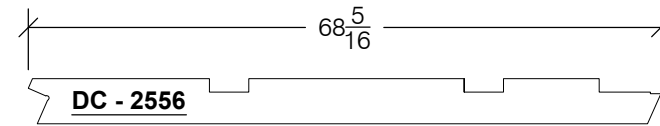
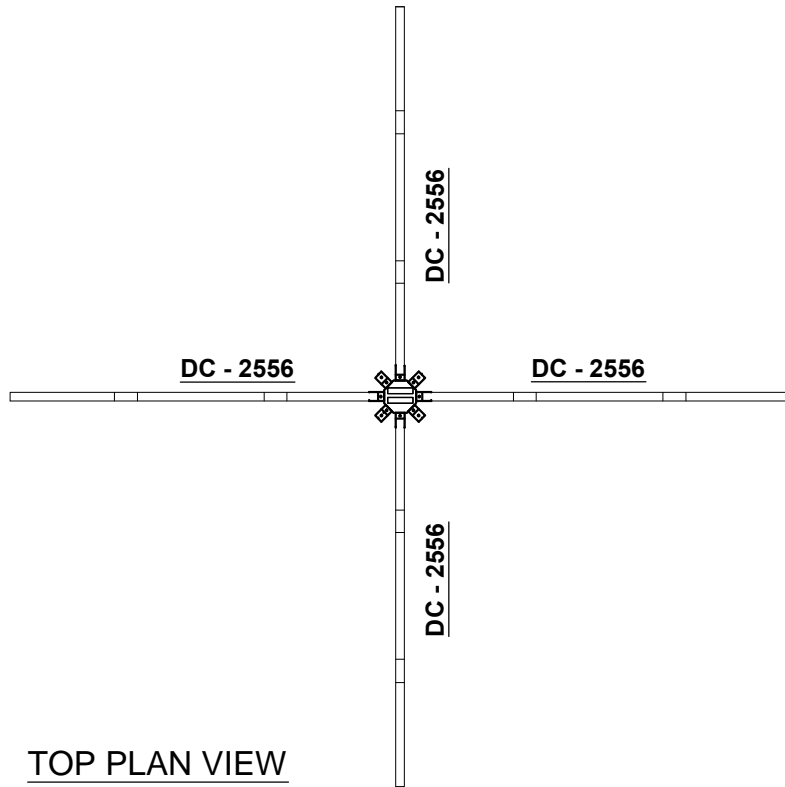


**BOTTOM VIEW**



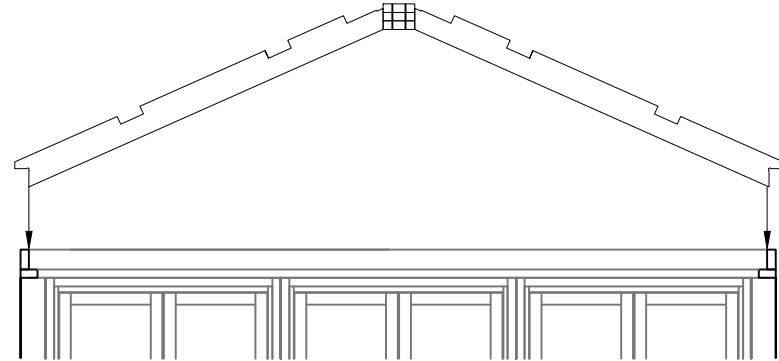
PLACE THE OCTAGON PEAK SUPPORT ASSEMBLY ON THE GROUND WITH THE SERIAL NUMBER TAG FACING UP.

ATTACH THE COMMON RAFTERS (DC 2556) TO THE OCTAGON PEAK SUPPORT BY INSERTING THE RAFTER INSIDE THE METAL BRACKET AS SHOWN. USE 2 1/2" PAN HEAD SCREWS TO FASTEN THE RAFTER TO THE PEAK SUPPORT. DO THIS BY SCREWING THROUGH THE PREDRILLED HOLES IN THE BRACKET. THERE WILL BE THREE HOLES PER BRACKET TO SCREW THROUGH AS SHOWN.

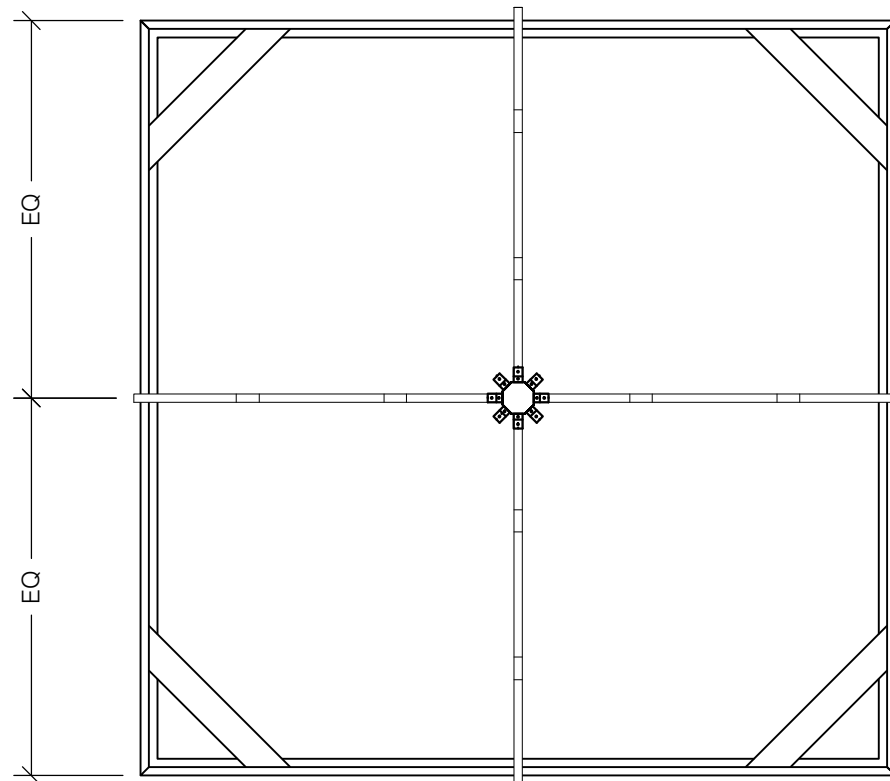


FLIP THE RAFTER ASSEMBLY OVER AND PLACE ON TRUSS FRAME AS SHOWN IN SECTION VIEW. CENTRE THE RAFTERS ON THE TRUSS FRAME.

DO NOT SCREW RAFTERS TO THE TRUSS FRAME AT THIS TIME.



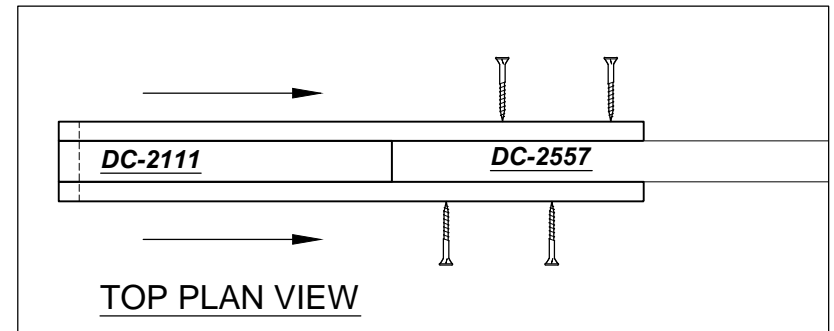
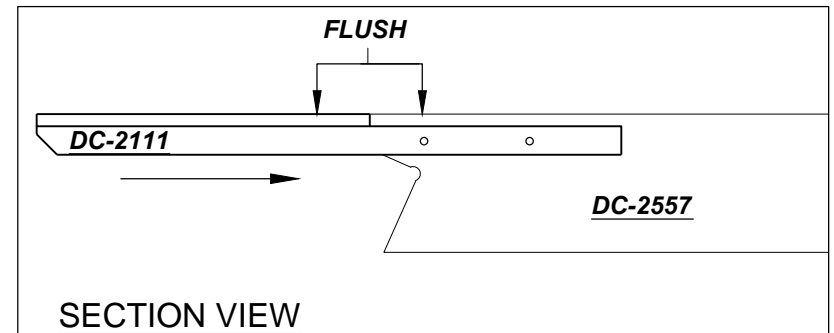
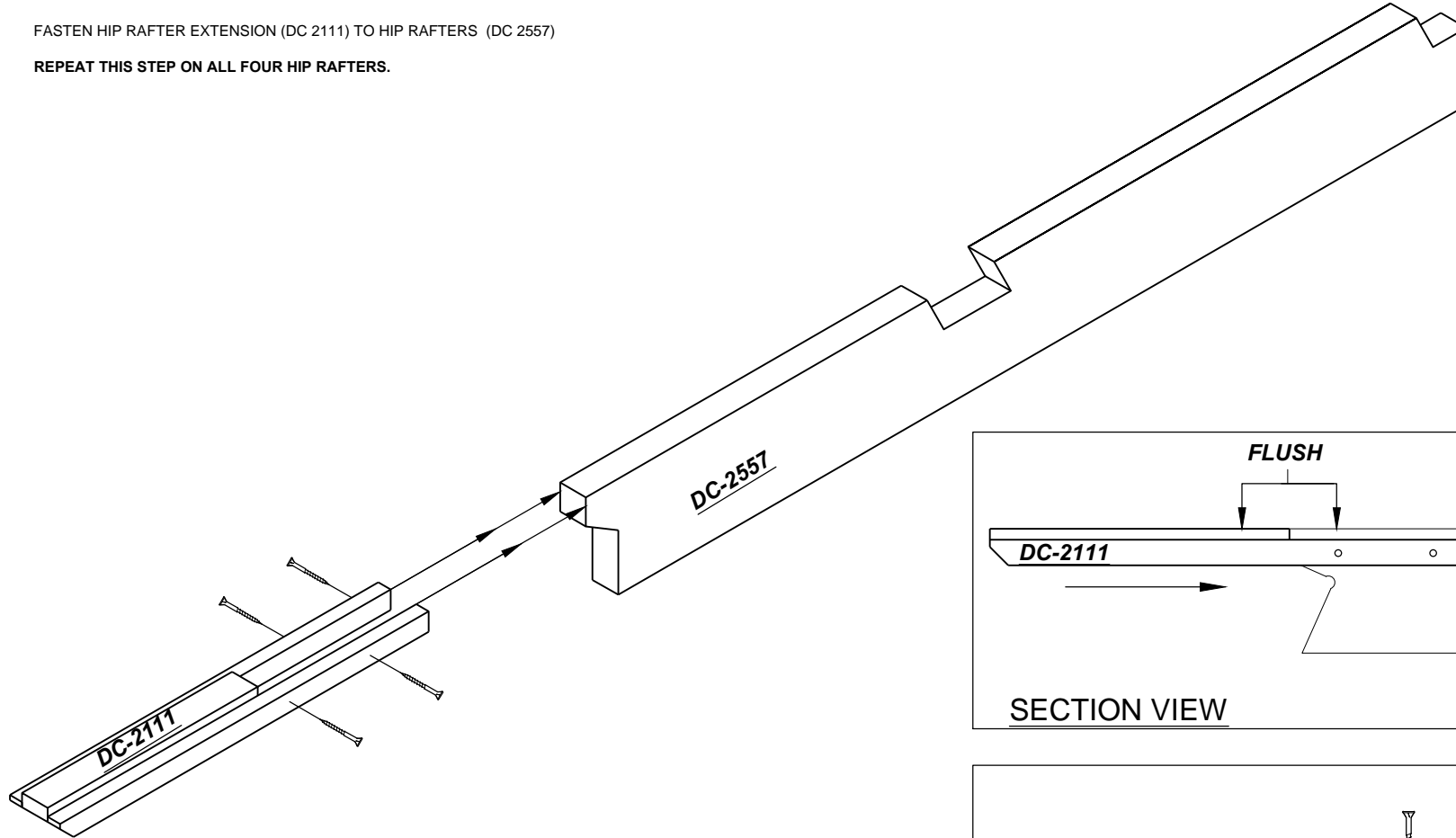
SECTION VIEW



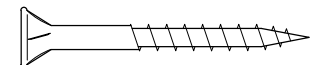
TOP PLAN VIEW

FASTEN HIP RAFTER EXTENSION (DC 2111) TO HIP RAFTERS (DC 2557)

REPEAT THIS STEP ON ALL FOUR HIP RAFTERS.



A

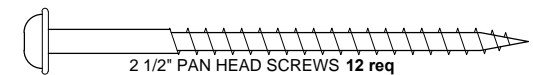
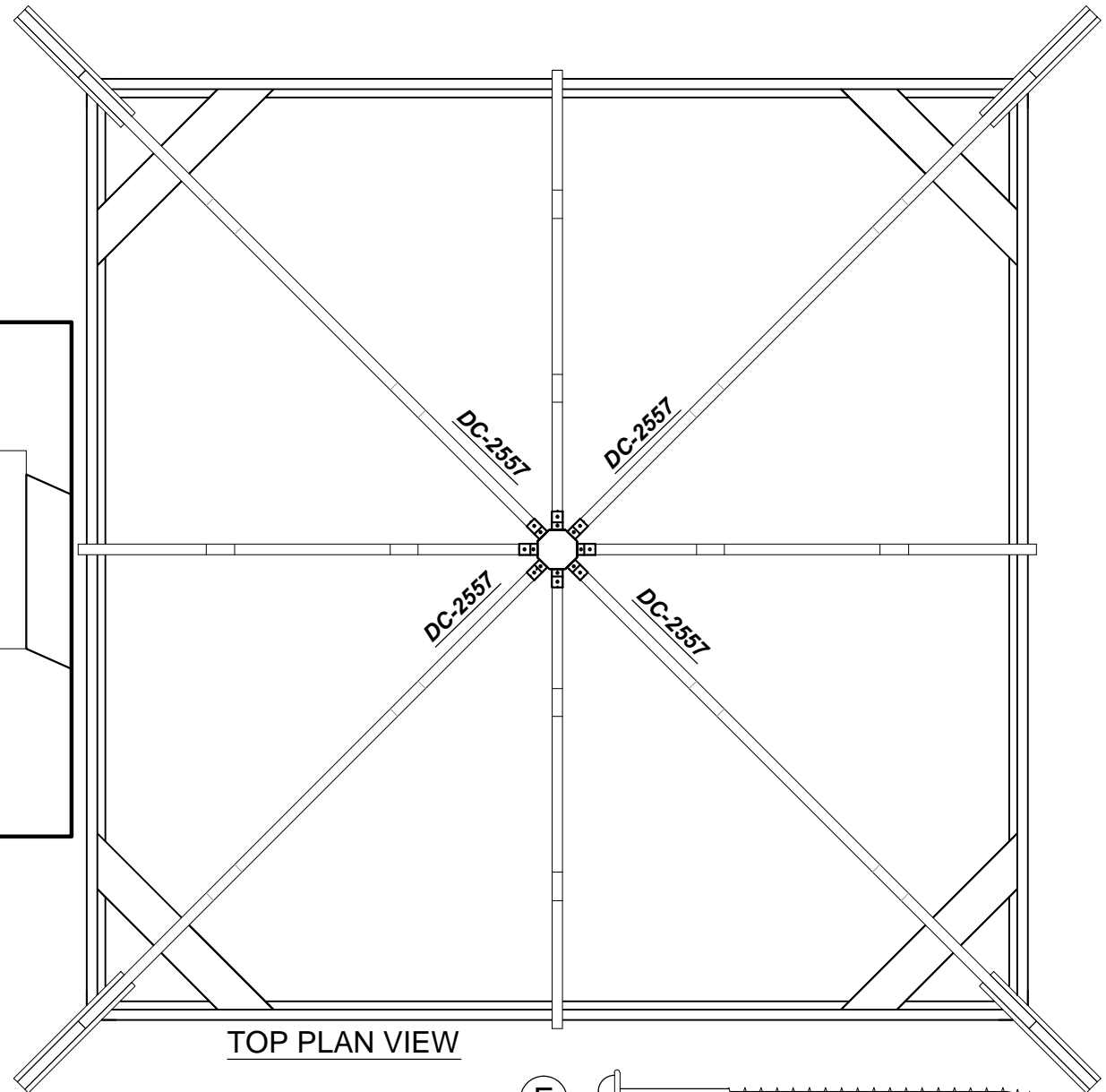
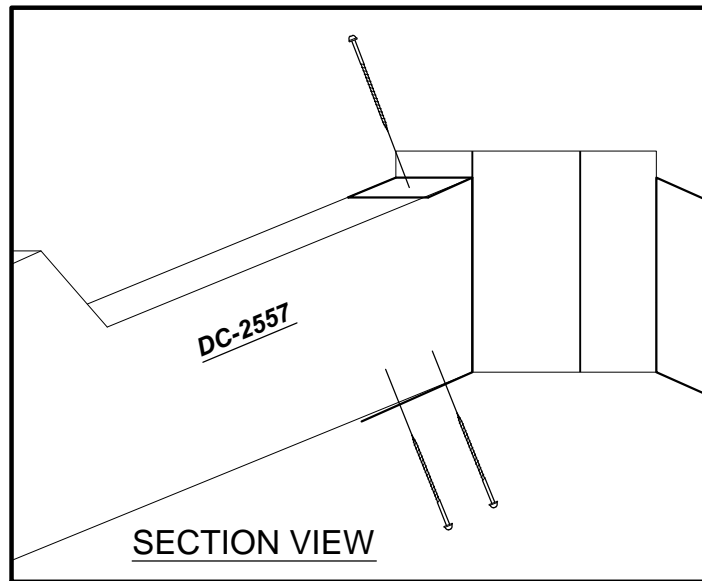


1 1/2" ROBERTSON SCREWS 16 req



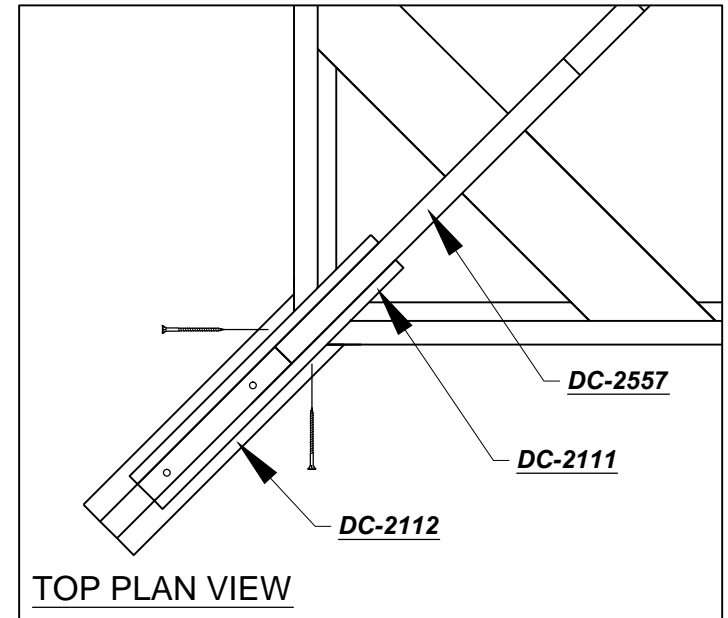
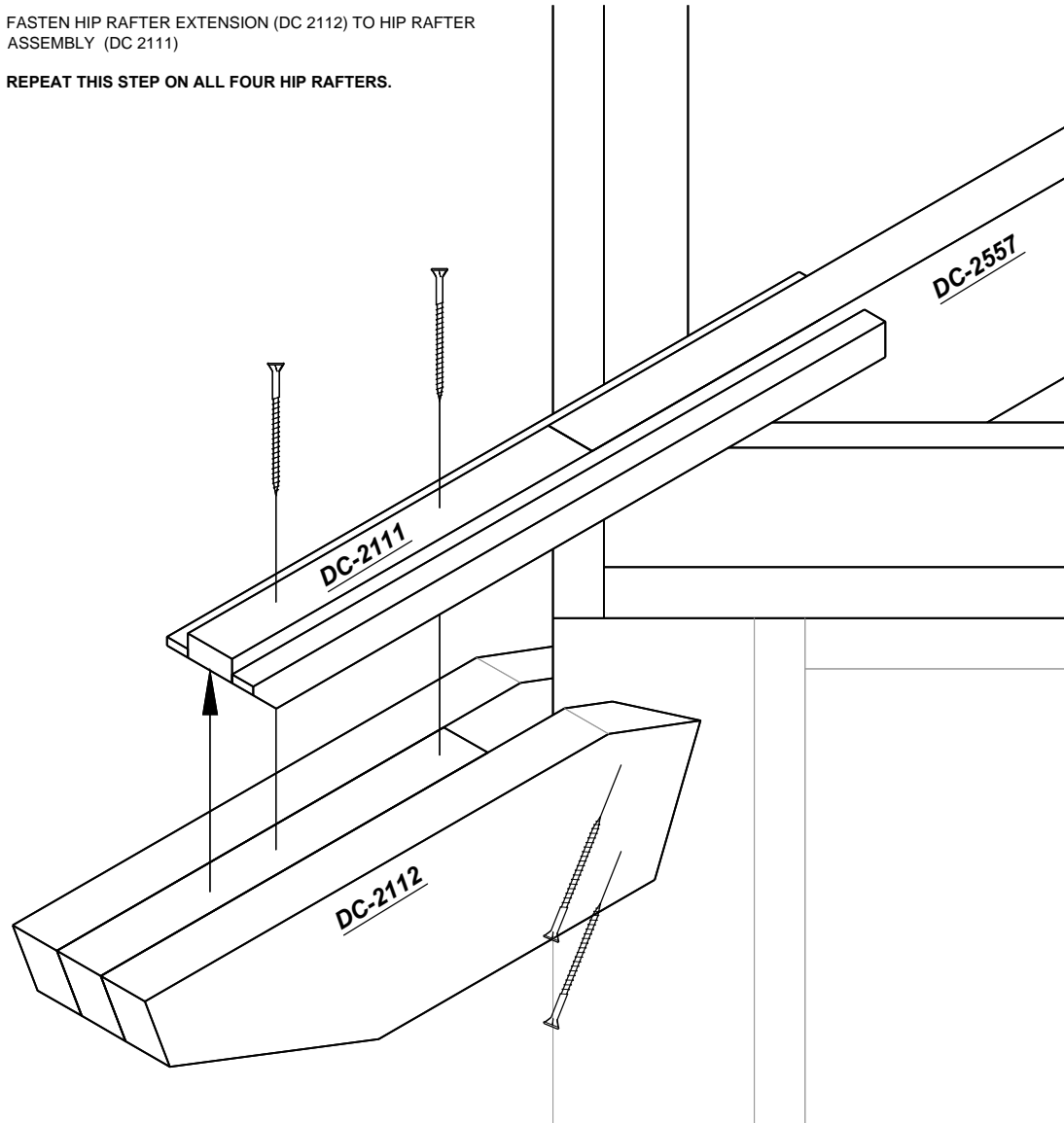
PLACE HIP RAFTERS (DC 2557) IN PLACE AS SHOWN IN SECTION DETAIL AND TOP VIEW. PLACE RAFTER INSIDE METAL BRACKET AS SHOWN. ATTACH EACH HIP RAFTER WITH THREE 2 1/2" PAN HEAD SCREWS THROUGH THE PRE-DRILLED HOLES ON THE BRACKET INTO THE HIP RAFTER AS SHOWN.

DO NOT SECURE THE RAFTERS TO THE TRUSS FRAME AT THIS TIME.



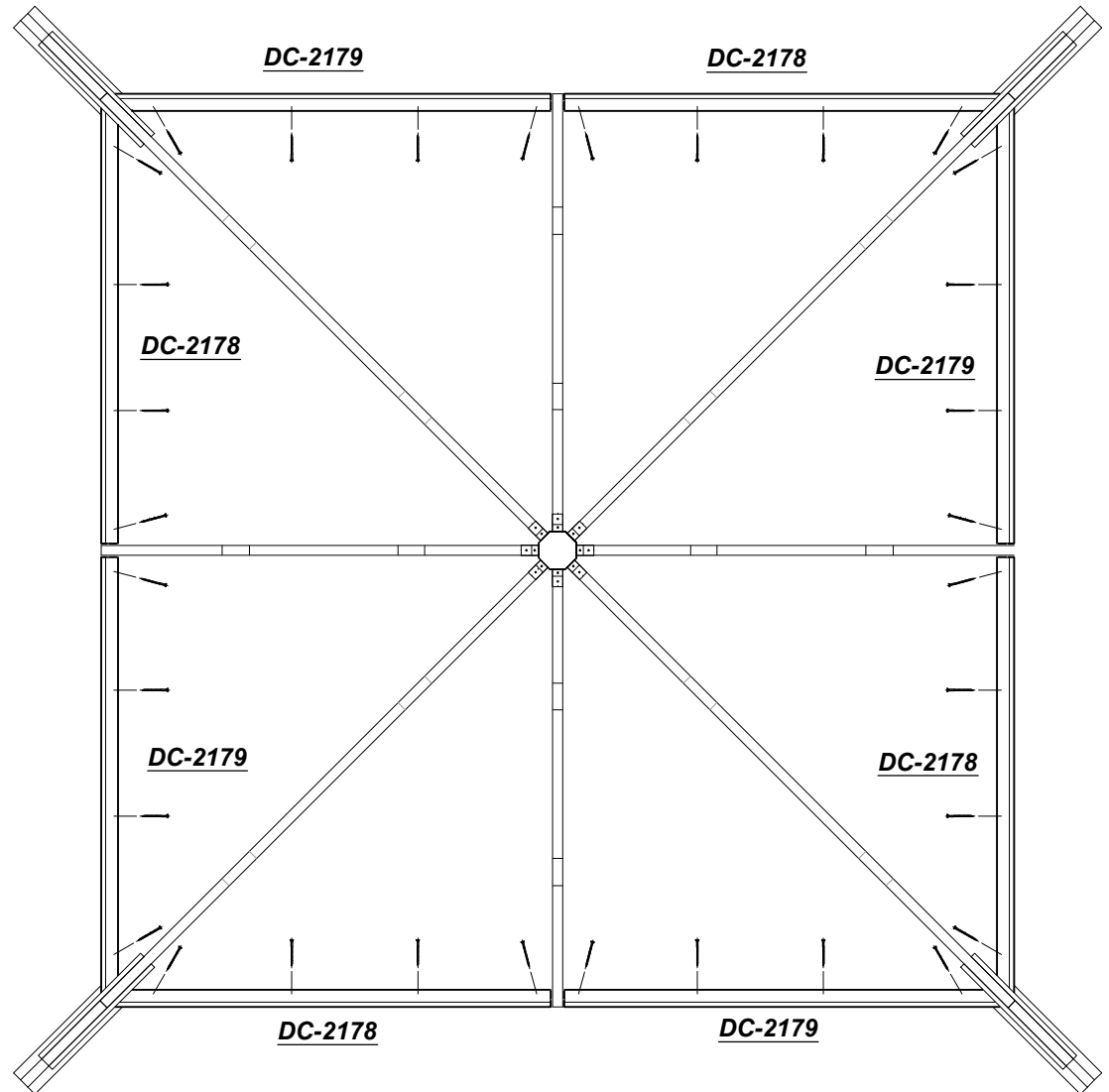
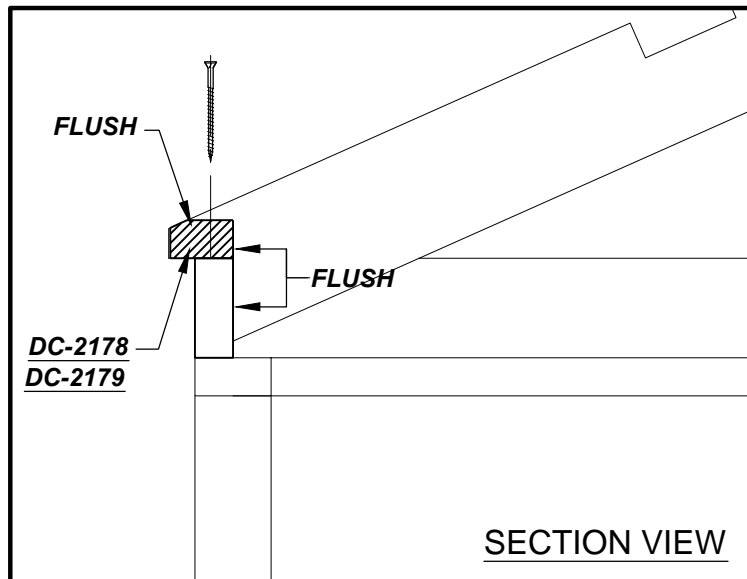
FASTEN HIP RAFTER EXTENSION (DC 2112) TO HIP RAFTER ASSEMBLY (DC 2111)

REPEAT THIS STEP ON ALL FOUR HIP RAFTERS.

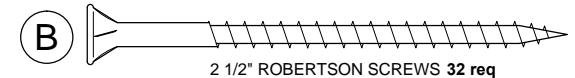


PLACE A LEFT AND RIGHT PANEL SUPPORT (DC 2178 & 2179) ON TOP OF THE TRUSS FRAME AS SHOWN. PLACE THE PANEL SUPPORT SO THE ANGLE AT THE FRONT IS LINED UP FLUSH WITH THE TOP OF ALL THE RAFTERS.

ATTACH EACH OF THE EIGHT PANEL SUPPORTS WITH FOUR 2 1/2" SCREWS DOWN INTO THE TOP OF THE TRUSS FRAME AS SHOWN.



TOP PLAN VIEW

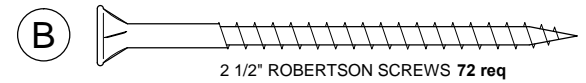
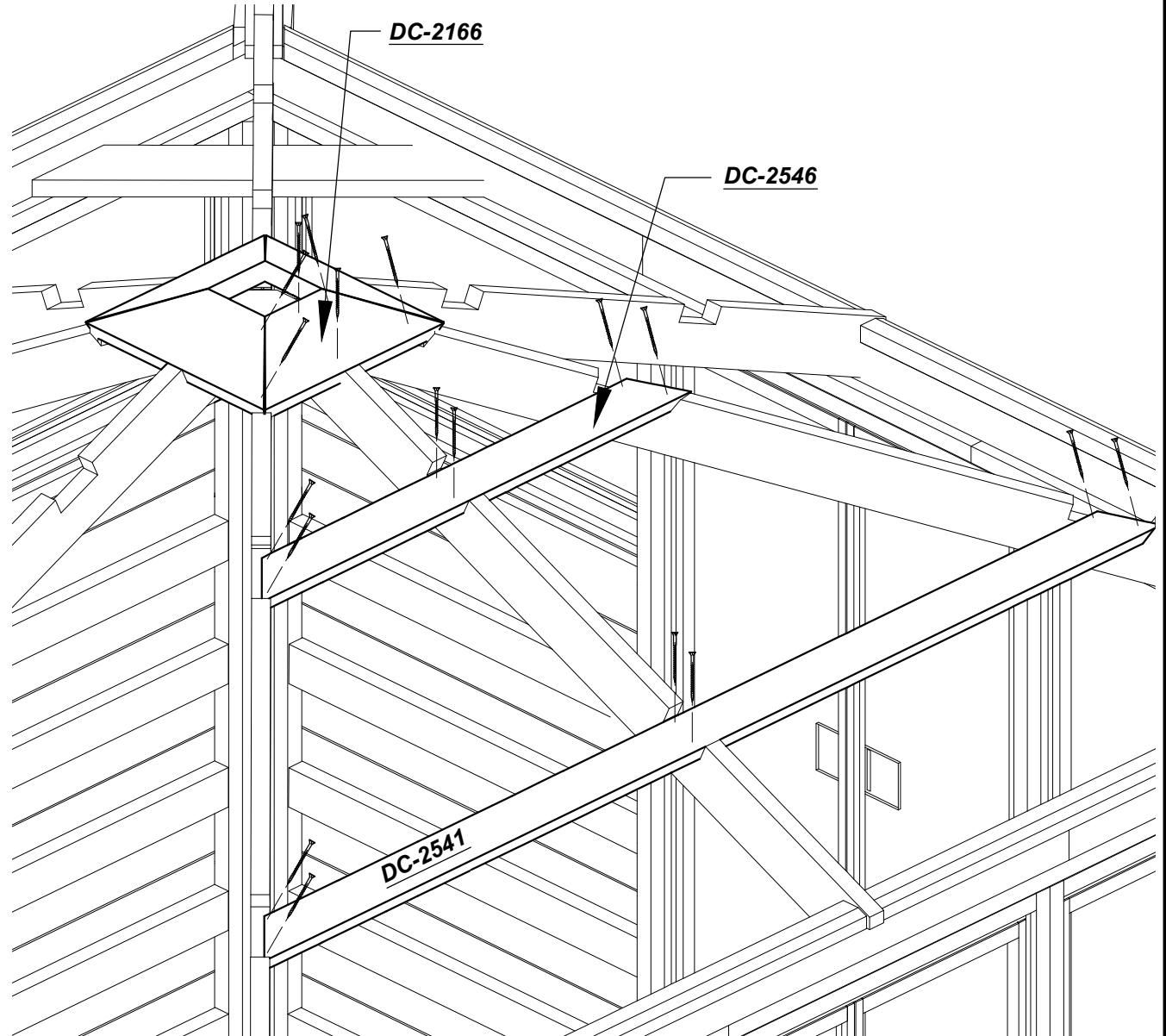


PLACE THE ROOF STRAPPING ON TOP OF THE ROOF RAFTERS AS SHOWN.

PLACE THE 2x6 TOP STRAP ASSEMBLY PIECE (DC 2166) AT THE PEAK OF THE ROOF. PLACE THE PIECE SO THAT IT IS CENTRED ON THE RAFTERS.

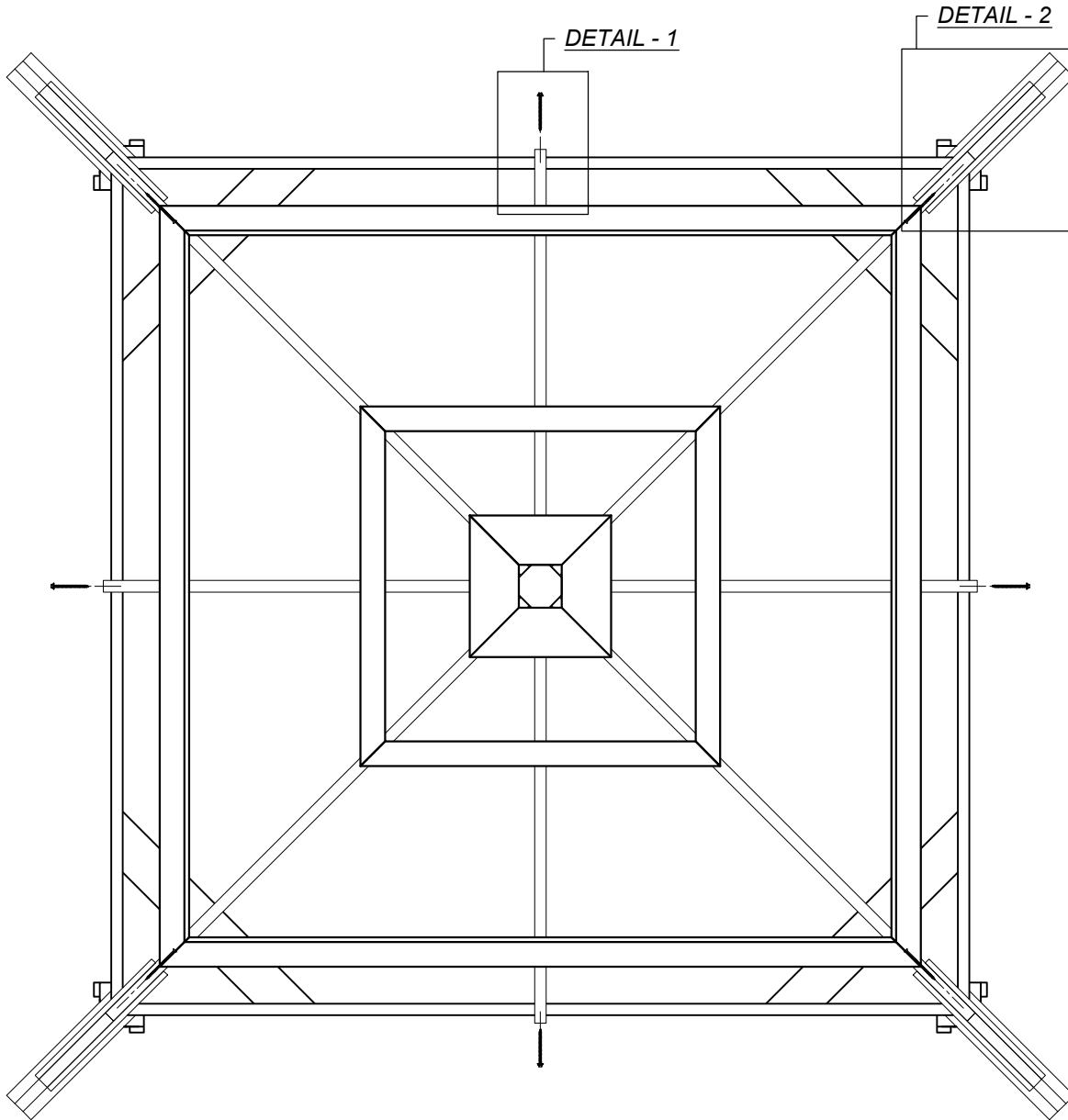
PLACE THE MID STRAPPING (DC 2546) AND BOTTOM STRAPPING PIECES (DC 2541). CENTRE ON THE RAFTERS AND FASTEN USING 2 1/2" SCREWS. REPEAT THIS FOR ALL FOUR SIDES OF THE ROOF.

**!** DO NOT STAND ON THE TRUSS FRAME OR RAFTER ASSEMBLY

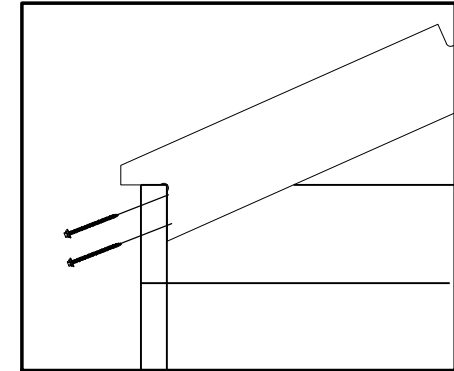


2 1/2" ROBERTSON SCREWS 72 req

SECURE THE RAFTERS TO THE TRUSS FRAME.

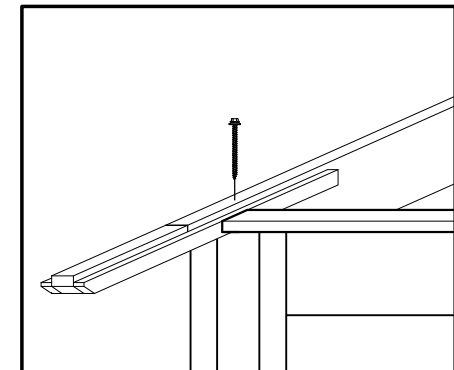


SECURE THE COMMON RAFTERS AS SHOWN IN DETAIL 1.



DETAIL - 1

SECURE THE HIP RAFTERS AS SHOWN IN DETAIL - 2.



DETAIL - 2

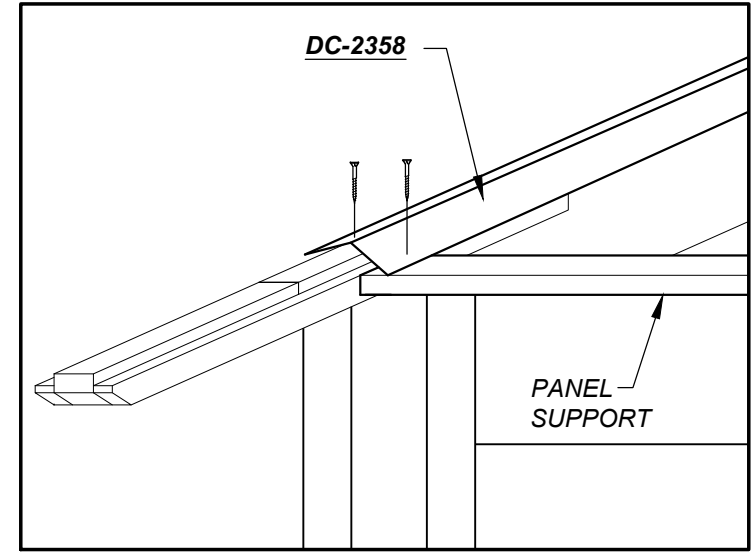
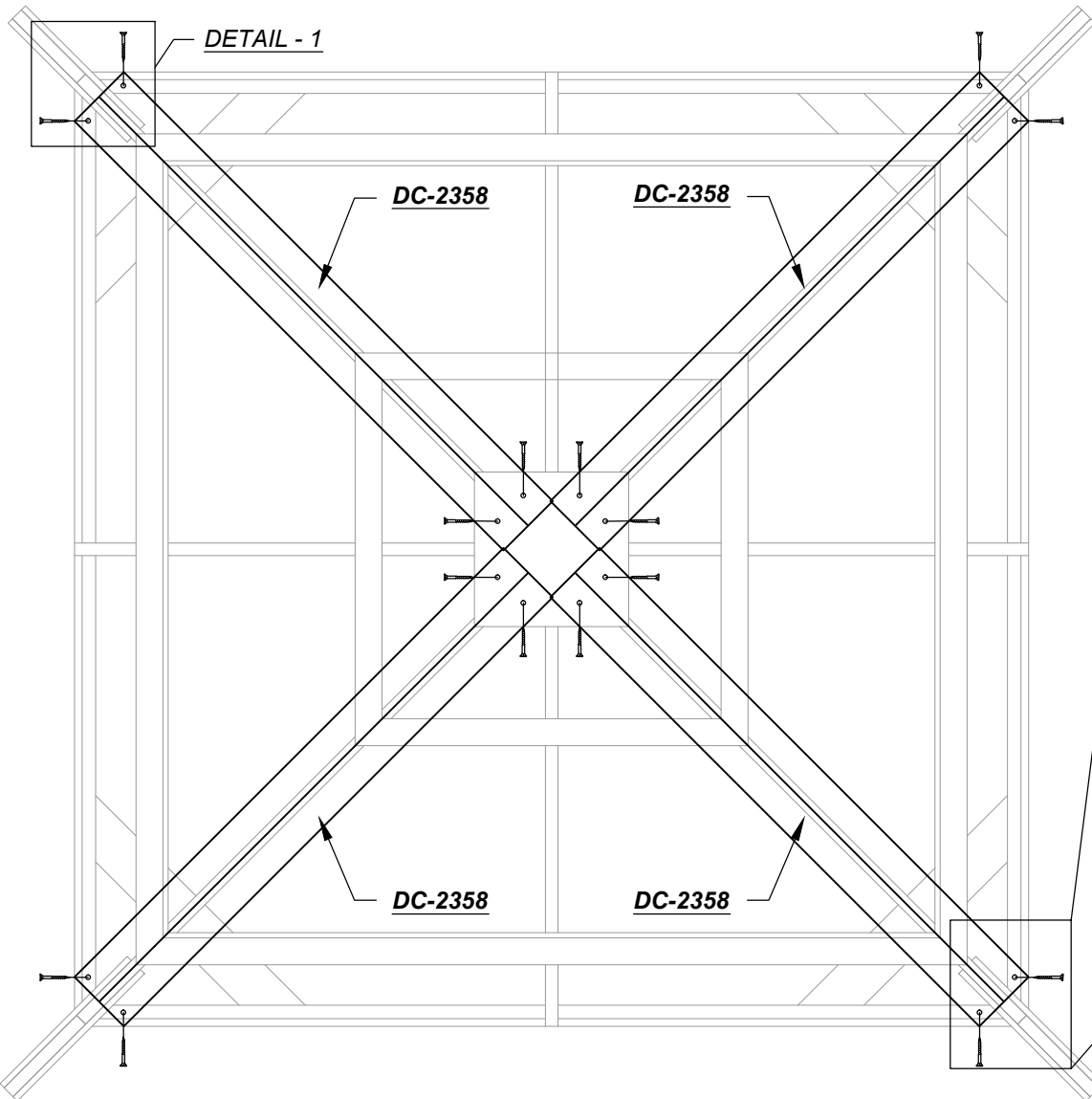


3" HEX HEAD SCREWS 12 req

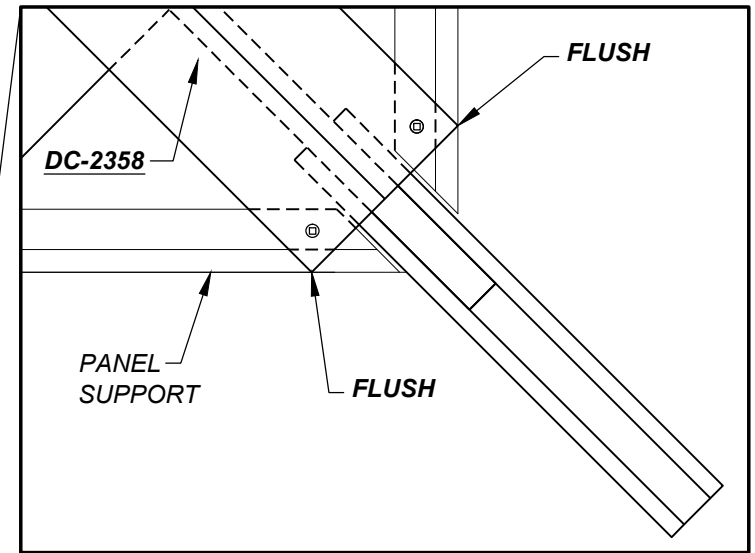
FASTEN THE HIP COVERS (DC 2358) TO THE STRAPPING AND PANEL SUPPORTS.

ALIGN THE HIP COVER SO IT IS CENTRED ON THE RAFTER AND THE BOTTOM JUST TOUCHES THE OUTSIDE OF THE PANEL SUPPORT, AS SHOWN.

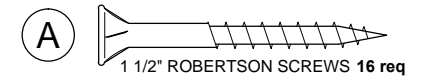
FASTEN THROUGH THE HIP CAP COVER INTO THE PANEL SUPPORTS AND TOP STRAPPINGS



DETAIL - 1



DETAIL - 2

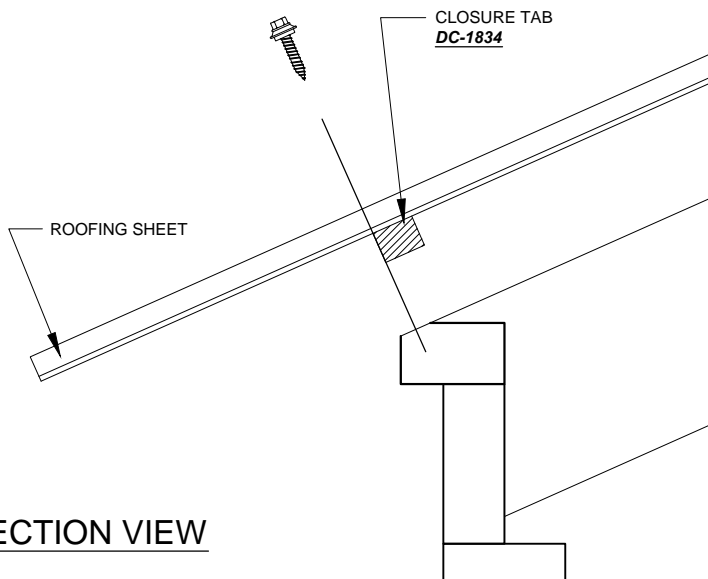
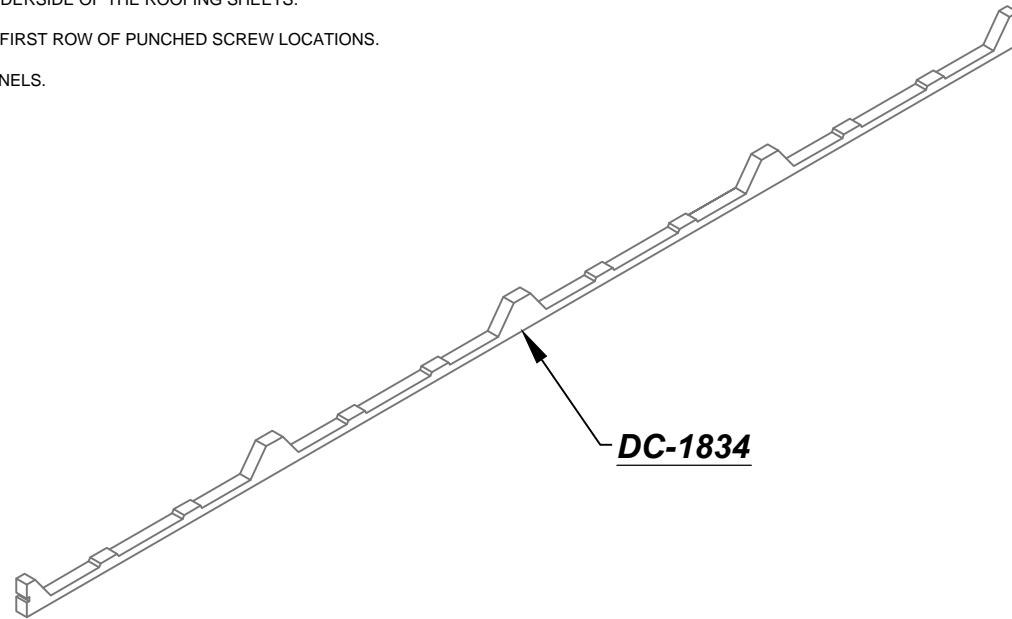




## **OPTIONAL BAY KIT**

IF YOU HAVE PURCHASED AN OPTIONAL BAY WALL KIT FOR YOUR OUTDOOR STRUCTURE, PLEASE MOVE ON TO STEP THREE OF THE INSTRUCTIONS PROVIDED WITH THE BAY KIT AT THIS TIME.

ATTACH CLOSURE TABS (DC 1834) TO THE UNDERSIDE OF THE ROOFING SHEETS.  
CLOSURE TABS ARE TO BE IN-LINE WITH THE FIRST ROW OF PUNCHED SCREW LOCATIONS.  
TRIM CLOSURE TABS FOR NARROW ROOF PANELS.





PLACE FOUR ROOFING SHEETS ON THE ROOF STRAPS AS SHOWN. LAY THE PIECES OUT EVENLY. PLACE THE SHEETS SO THAT THEY EVENLY OVERHANG THE BOTTOM OF THE ROOF AND LEAVE ROUGHLY 1/2" REVEAL ON THE TOP STRAP AS SHOWN IN DETAIL 1

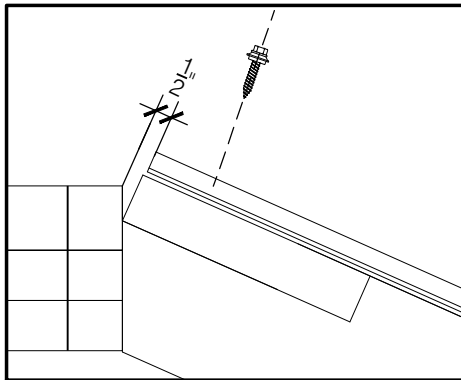
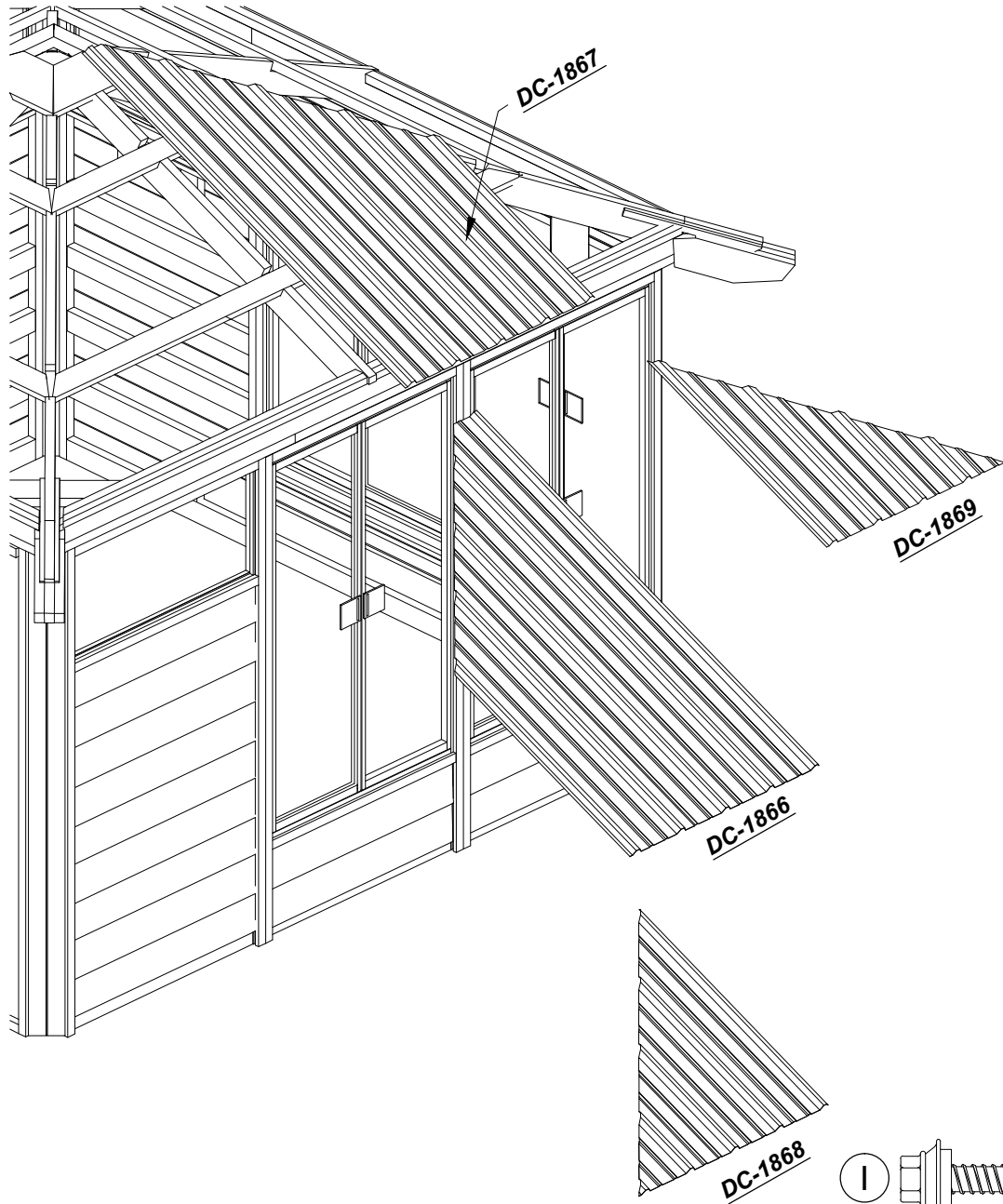
MAKE SURE YOU HAVE ALL FOUR PIECES IN PLACE WITH AN EQUAL OVERHANG OVER THE THE WHOLE EDGE OF THE EAVE. ATTACH THE ROOF SHEETS TO THE STRAPPING WITH 1" ROOFING SCREWS.

PLACE A SCREW THROUGH EACH OF THE PRE-PUNCHED HOLES IN THE ROOFING SHEETS. ATTACH SHEETS TO THE STRAPPING PIECES ALREADY ATTACHED TO THE ROOF.

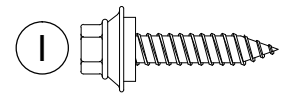
DO THIS ON ALL FOUR SIDES OF THE ROOF.

**NOTE:**  
ONLY PUT SCREWS AT  
PRE-PUNCHED LOCATIONS.

**NOTE:**  
FASTEN ALL ROOFING SCREWS PRIOR  
TO STEPPING ON ROOF.

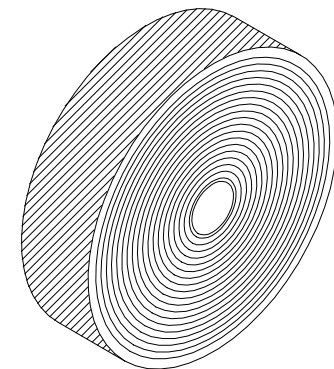
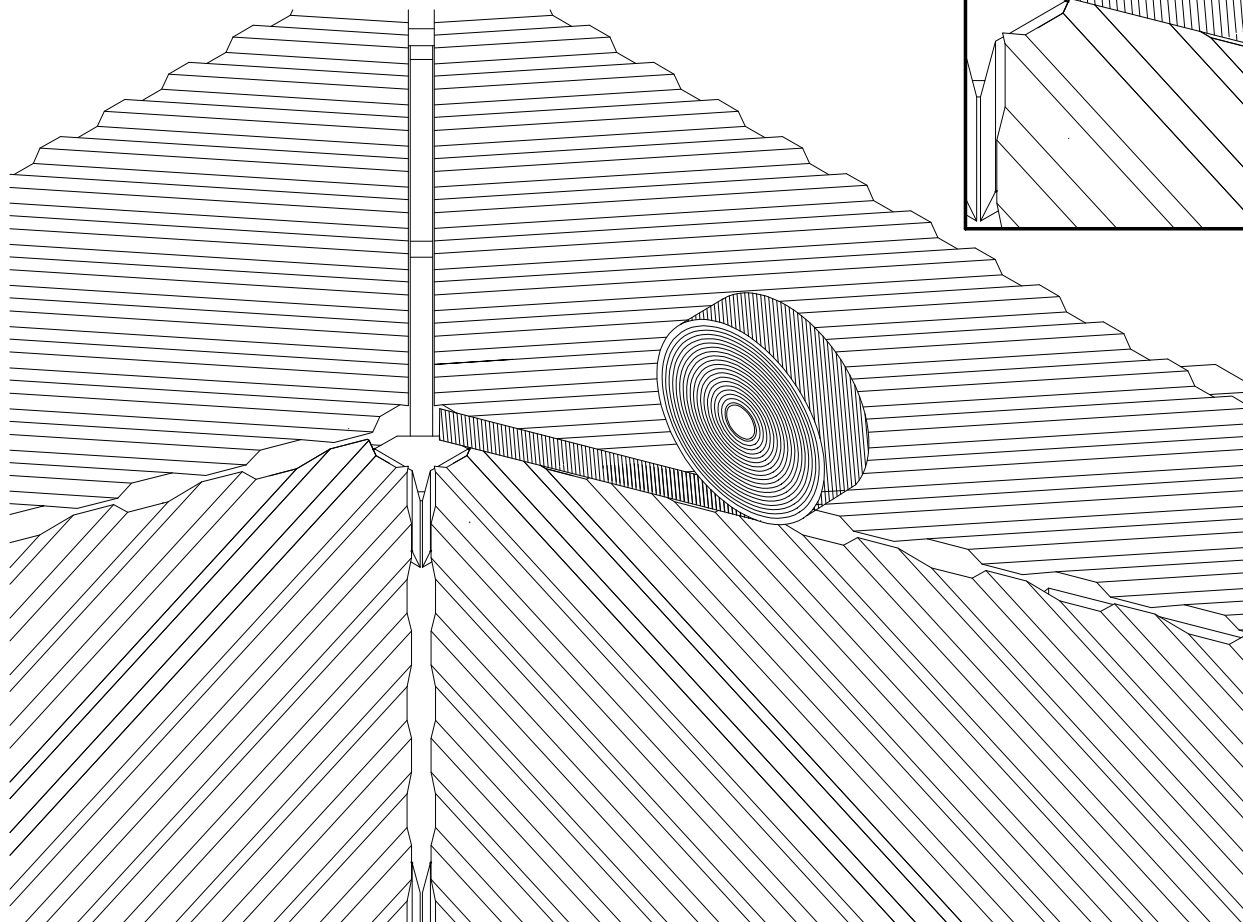
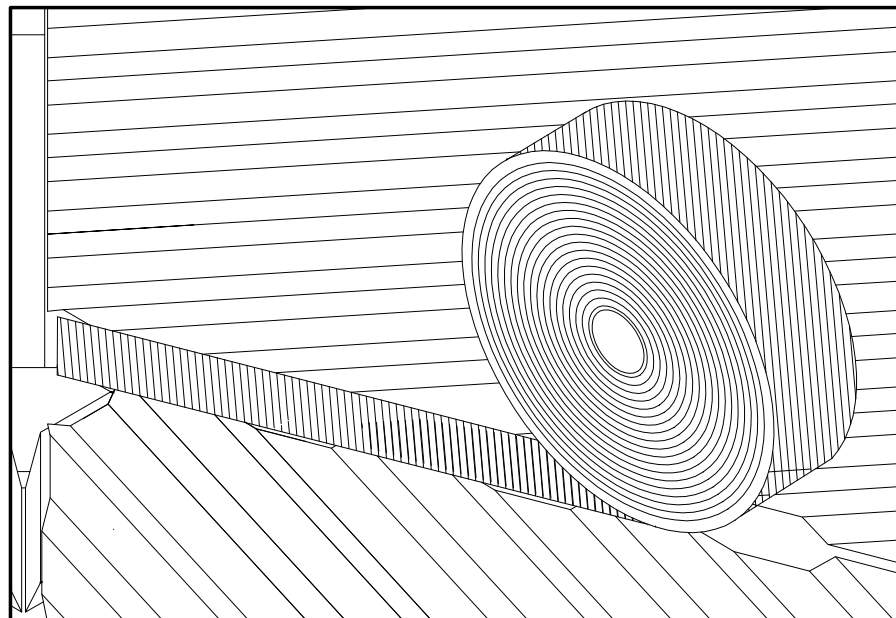


DETAIL - 1



1" ROOF SCREWS 132 req

CAREFULLY PEEL THE BACKER AND PLACE THE SEALING TAPE (DC 2033) ON TOP OF THE ROOFING SHEET AS SHOWN IN DETAIL 1




**SEALING TAPE**  
**DC-2033**

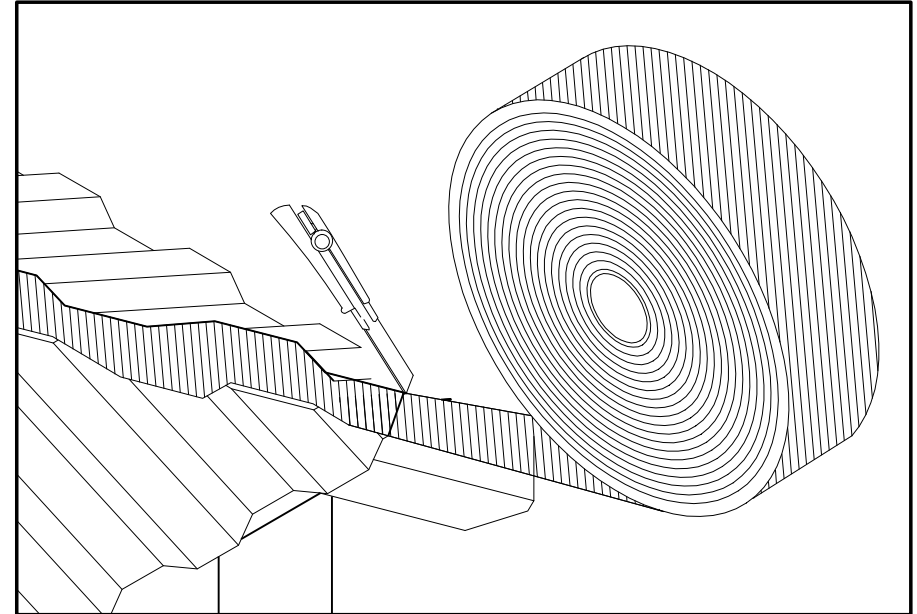
CAREFULLY PEEL BACKER AND PLACE THE SEALING TAPE (DC - 2033) OVER TOP OF THE JOINT BETWEEN THE ROOFING SHEETS.

APPLY PRESSURE TO ADHERE THE TAPE TO THE CONTOUR OF THE ROOFING SHEETS

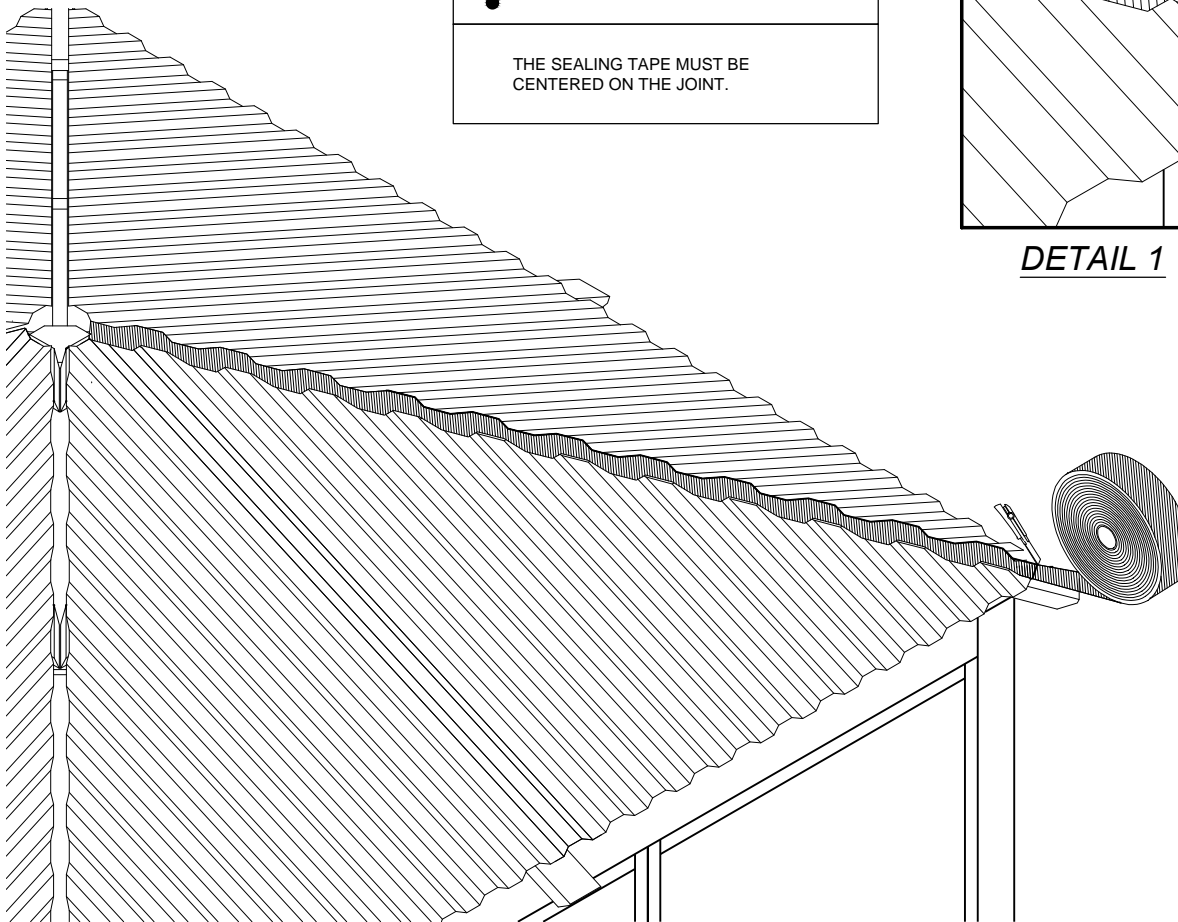
ONCE ADHERED FULLY, TRIM AT EDGE OF THE ROOFING SHEET AS SHOWN IN *DETAIL 1*

REPEAT THIS ON ALL FOUR SIDES

	<b>CENTRE ON JOINT.</b>
THE SEALING TAPE MUST BE CENTERED ON THE JOINT.	



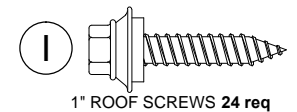
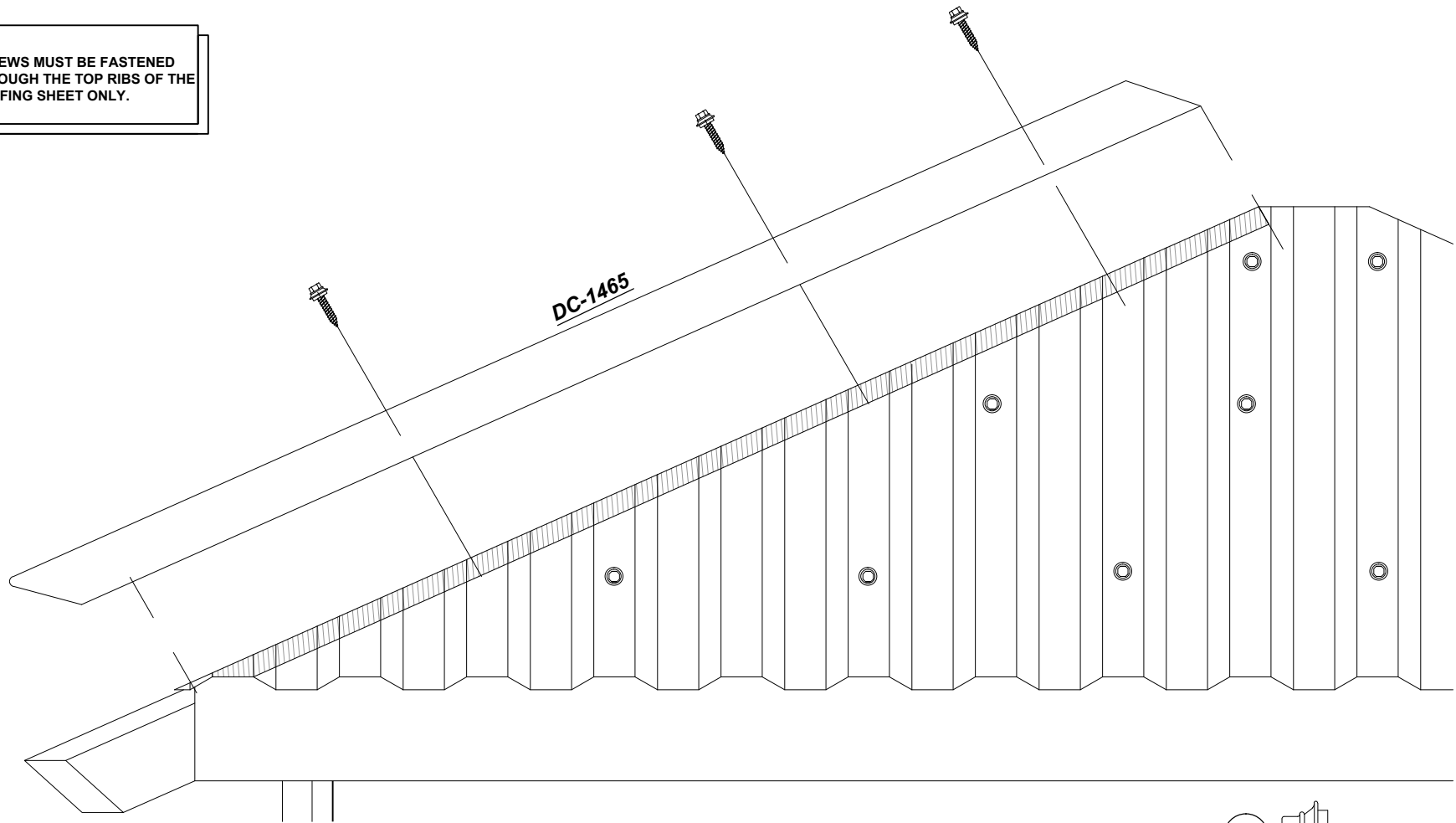
DETAIL 1



PLACE THE METAL HIP CAPS (DC 1465) ON EACH CORNER OF THE ROOF AS SHOWN.

PLACE EACH CAP ON TOP OF THE HIP OF THE ROOF. MAKE SURE THAT THE CAP IS SITTING CENTRED ON THE HIP, THEN ATTACH IT TO THE ROOF WITH ONE 1" ROOF SCREW ON EACH SIDE THROUGH THE CAP INTO THE RIB OF THE METAL ROOFING AS SHOWN. SCREWS MUST BE FASTENED THROUGH THE TOP RIBS OF THE ROOFING SHEET ONLY. DO NOT OVER TIGHTEN, OR THE HIP CAPS MAY BE DAMAGED.

**!** SCREWS MUST BE FASTENED THROUGH THE TOP RIBS OF THE ROOFING SHEET ONLY.

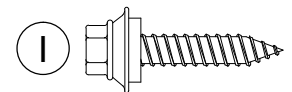
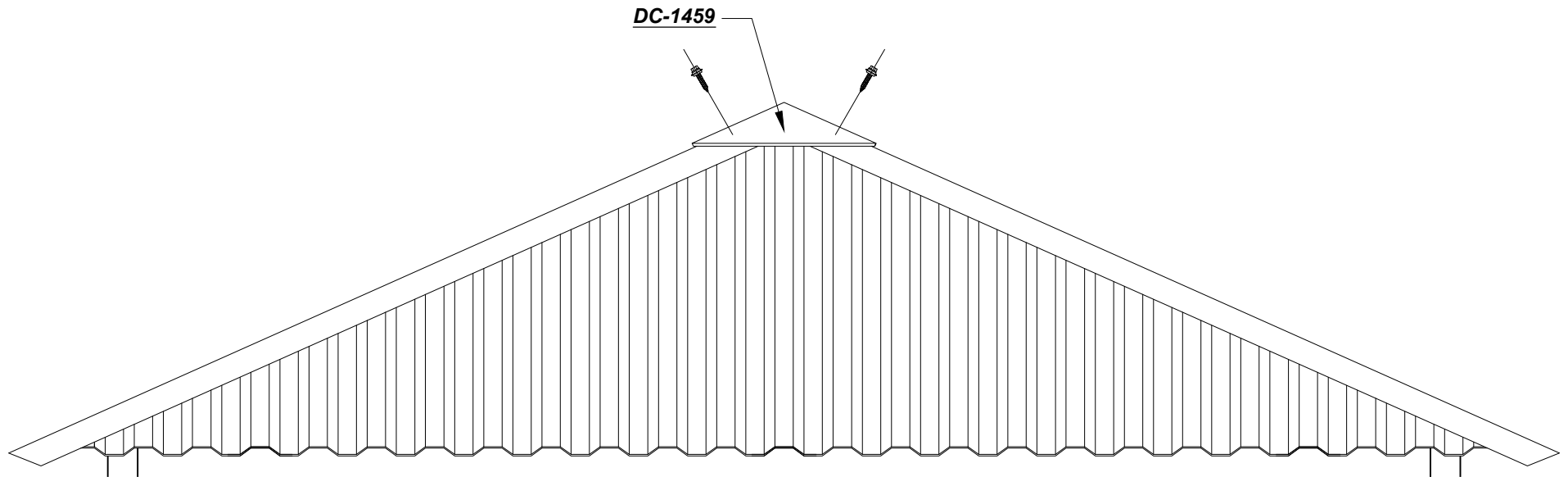


PLACE THE PEAK CAP (DC 1459) AT THE VERY TOP OF THE ROOF OVER TOP OF THE ENDS OF THE HIP FLASHING. AS SHOWN.

SECURE THE PEAK CAP WITH TWO SCREWS ON EACH SIDE THROUGH THE CAP AND INTO THE ROOFING. MAKE SURE THE CAP IS PRESSED DOWN TIGHT AND FLAT TO THE ROOFING.



SCREWS MUST BE FASTENED THROUGH THE TOP RIBS OF THE ROOFING SHEET ONLY.



1" ROOF SCREWS 8 req



## **OPTIONAL BAY KIT**

IF YOU HAVE PURCHASED AN OPTIONAL BAY WALL KIT FOR YOUR OUTDOOR STRUCTURE, PLEASE MOVE ON TO STEP SEVEN OF THE INSTRUCTIONS PROVIDED WITH THE BAY KIT AT THIS TIME.

DETERMINE WHICH SIDE OF THE WINDOW YOU WOULD LIKE THE BI-FOLD WINDOW PANELS TO COLLAPSE TO.

OPEN THE WINDOW ALL THE WAY TO ONE SIDE. WHEN THE WINDOW IS COMPLETELY OPEN, SLIDE THE NYLON STOPPERS IN THE FRAME TIGHT AGAINST THE STATIONARY SIDE OF THE WINDOW AND TIGHTEN THE SET SCREW.

