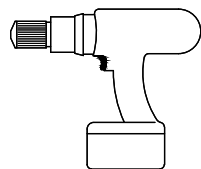


TOOLS NEEDED



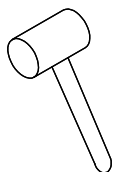
POWER DRILL



TAPE MEASURE



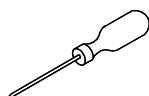
PENCIL



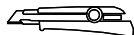
RUBBER Mallet



LADDER (8ft / 2.5m)



PHILLIPS SCREW DRIVER



KNIFE



ADJUSTABLE WRENCH



BEFORE YOU BEGIN

THESE INSTRUCTIONS MUST BE FOLLOWED STEP BY STEP. DEVIATION FROM THE INSTRUCTIONS MAY VOID THE PRODUCT'S WARRANTY. SEE WARRANTY SHEET FOR FURTHER DETAILS.

READ ALL INSTRUCTIONS THOROUGHLY BEFORE STARTING ASSEMBLY.

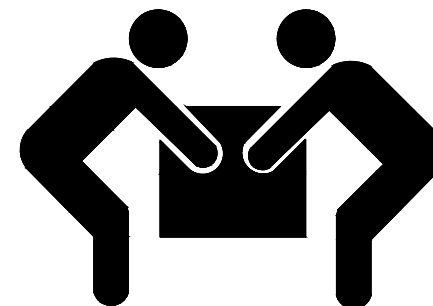
USE THE PARTS LIST AS A CHECKLIST FOR COMPONENTS.

UNWRAP PARTS ONLY AS NEEDED TO KEEP COMPONENT DEALER CODE LABEL INTACT FOR REFERENCE.

TWO PERSON PROJECT

PRODUCT CAN BE HEAVY

USE CARE WHEN LIFTING



SITE PREPARATION

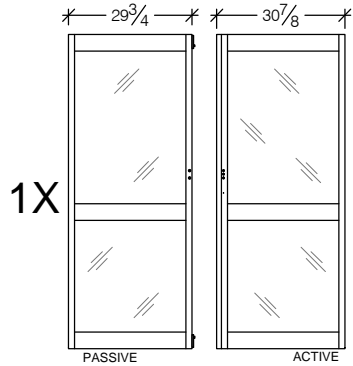
ASSEMBLE THE STRUCTURE ON A FIRM, LEVEL SURFACE.
PROTECT THE PRODUCT FROM DAMAGE AS SOME PIECES MAY BE FRAGILE.

ESTIMATED ASSEMBLY TIME: 8 HOURS

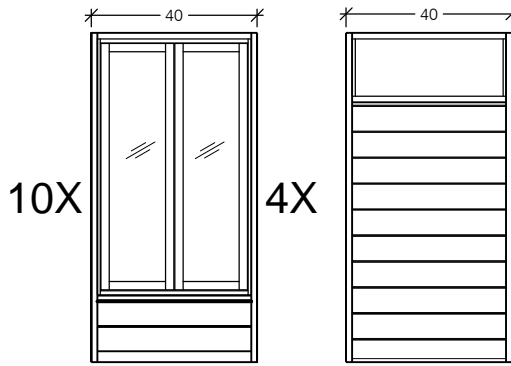
IF YOU REQUIRE ASSISTANCE, OR NEED TO ORDER REPLACEMENT PARTS, CONTACT YOUR VISSCHER DEALER.

FOR ADDITIONAL INFORMATION PLEASE CALL THE NUMBER BELOW.
PLEASE HAVE SERIAL NUMBER READY TO ENSURE QUICK SERVICE.

PANELS / PANNEAUX



2140



2421

2422

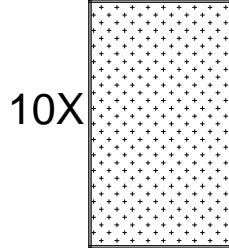
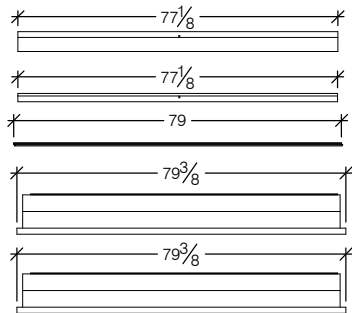
1X 2086

1X 2087

22X 2069

1X 2081

1X 2099



2326

ROOFING PARTS / PIÈCES DE TOITURE



4X 2406

4X 2408

4X 2410

4X 2411

4X 1416

4X 2513

4X 1440

4X 1442

4X 1443

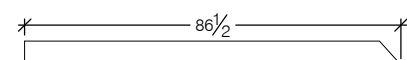
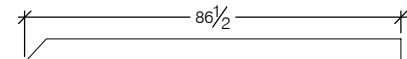
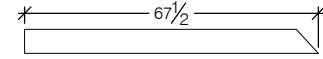
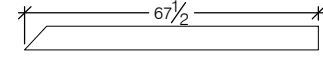
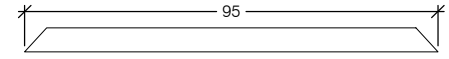
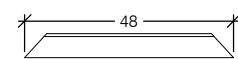
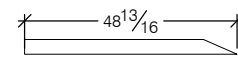
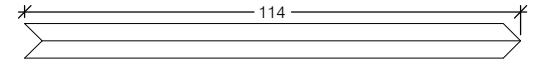
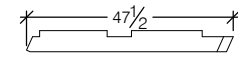
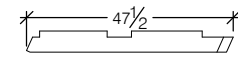
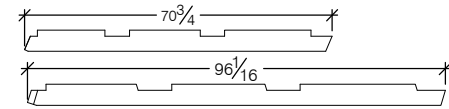
4X 1444

4X 1444

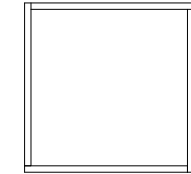
4X 1449

4X 1450

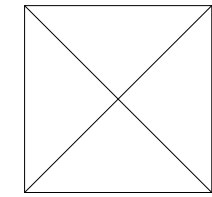
4X 1450



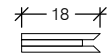
1X 1186



1X 2278



4X 2119



TRUSS FRAME / FERME DE TOIT

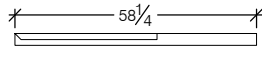
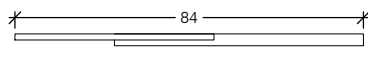
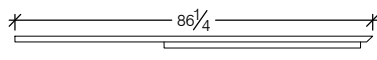
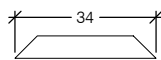
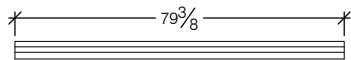
4X 1039

4X 1304

4X 1351

4X 1354

4X 1355



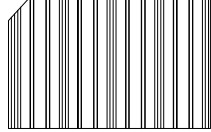
ROOFING / TOITURE

4X



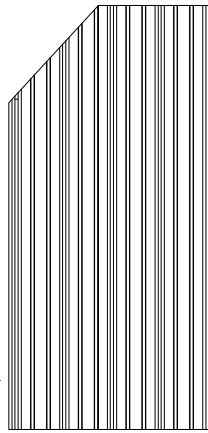
2188

4X



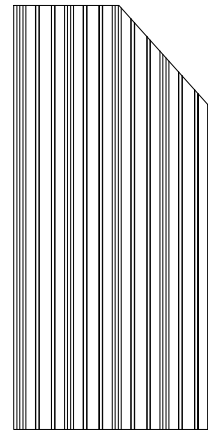
2186

4X



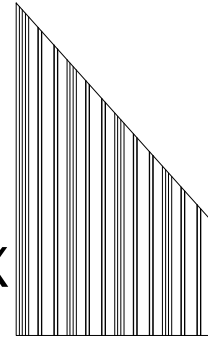
2184

4X



2185

4X

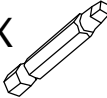
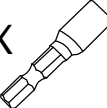
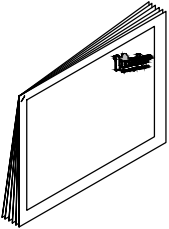
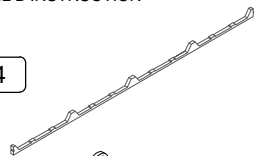
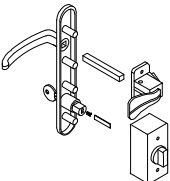
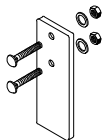
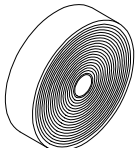
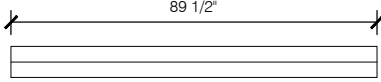


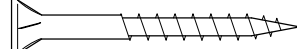
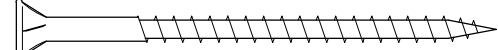
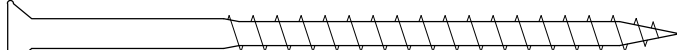
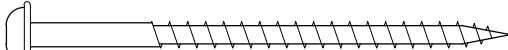
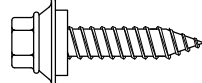
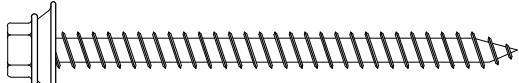
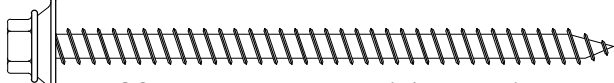
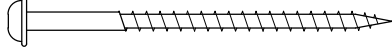
2187

4X

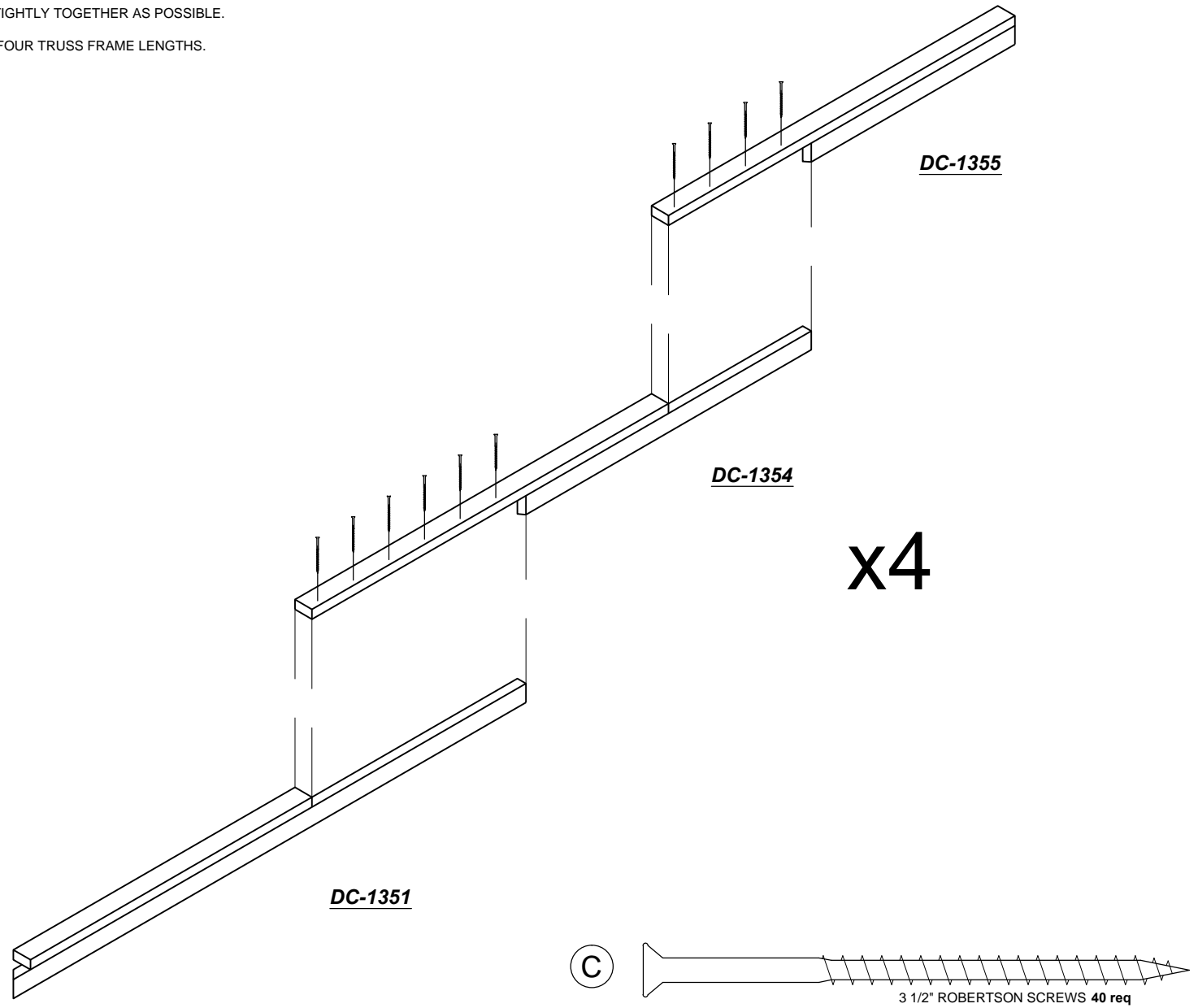


2189

<input type="checkbox"/>	1X		ROBERTSON BIT/ EMBOUT ROBERTSON
<input type="checkbox"/>	1X		1/4" HEX HEAD BIT/ EMBOUT A TETE HEXAGONALE DE 1/4 PO
<input type="checkbox"/>	1X		INSTRUCTION MANUAL / MANUEL D'INSTRUCTION
<input type="checkbox"/>	24X		1834
<input type="checkbox"/>	1X		2386
<input type="checkbox"/>	1X		2387
<input type="checkbox"/>	1X		2033
<input type="checkbox"/>	4X		2359

(A)	58X		1 1/2" #8 FLAT HEAD (#2 ROBERTSON) 1 1/2 PO À TÊTE PLATE NO 8 (no 2 ROBERTSON)
(B)	231X		2 1/2" #8 FLAT HEAD (#2 ROBERTSON) 2 1/2 PO À TÊTE PLATE NO 8 (no 2 ROBERTSON)
(C)	88X		3 1/2" #10 FLAT HEAD (#2 ROBERTSON) 3 1/2 PO À TÊTE PLATE no 10 (no 2 ROBERTSON)
(F)	44X		2 1/2" PAN HEAD ROBERTSON SCREWS (#2 ROBERTSON) 2 1/2 PO À TÊTE TRONCONIQUE no 8 (no 2 ROBERTSON)
(I)	220X		1" #10 METAL ROOF SCREW (1/4" HEAD) 1 PO TOITURE DE METAL no 10 (TETE DE 1/4 po)
(L)	24X		2 1/2" SCREW #8 HEX HEAD (1/4" HEAD) 2 1/2 PO À TÊTE HEXAGONALE no 8 (TÊTE DE 1/4 po)
(M)	48X		3" SCREW #8 HEX HEAD (1/4" HEAD) 3 PO À TÊTE HEXAGONALE no 8 (TÊTE DE 1/4 de po)
(P)	32X		2" PAN HEAD ROBERTSON SCREWS (#2 ROBERTSON) 2 PO À TÊTE TRONCONIQUE no 8 (no 2 ROBERTSON)

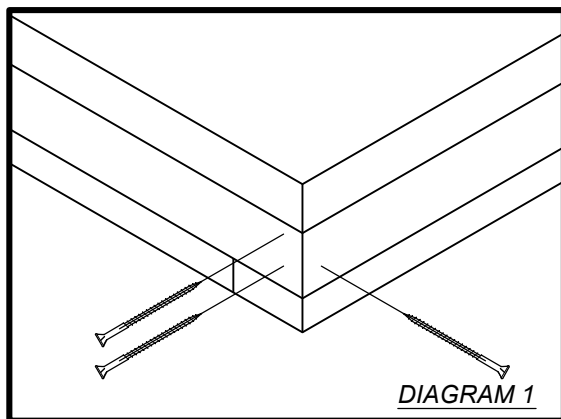
ATTACH TOGETHER TRUSS FRAME PIECES (DC 1351, 1354 & 1355)
THE COMPONENTS SHOULD FIT AS TIGHTLY TOGETHER AS POSSIBLE.
REPEAT THIS TO BUILD A TOTAL OF FOUR TRUSS FRAME LENGTHS.



FLIP THE FOUR TRUSS FRAME LENGTHS OVER AND LAY THEM OUT TO FORM A SQUARE.

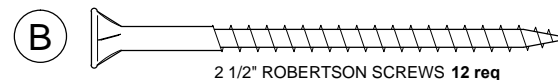
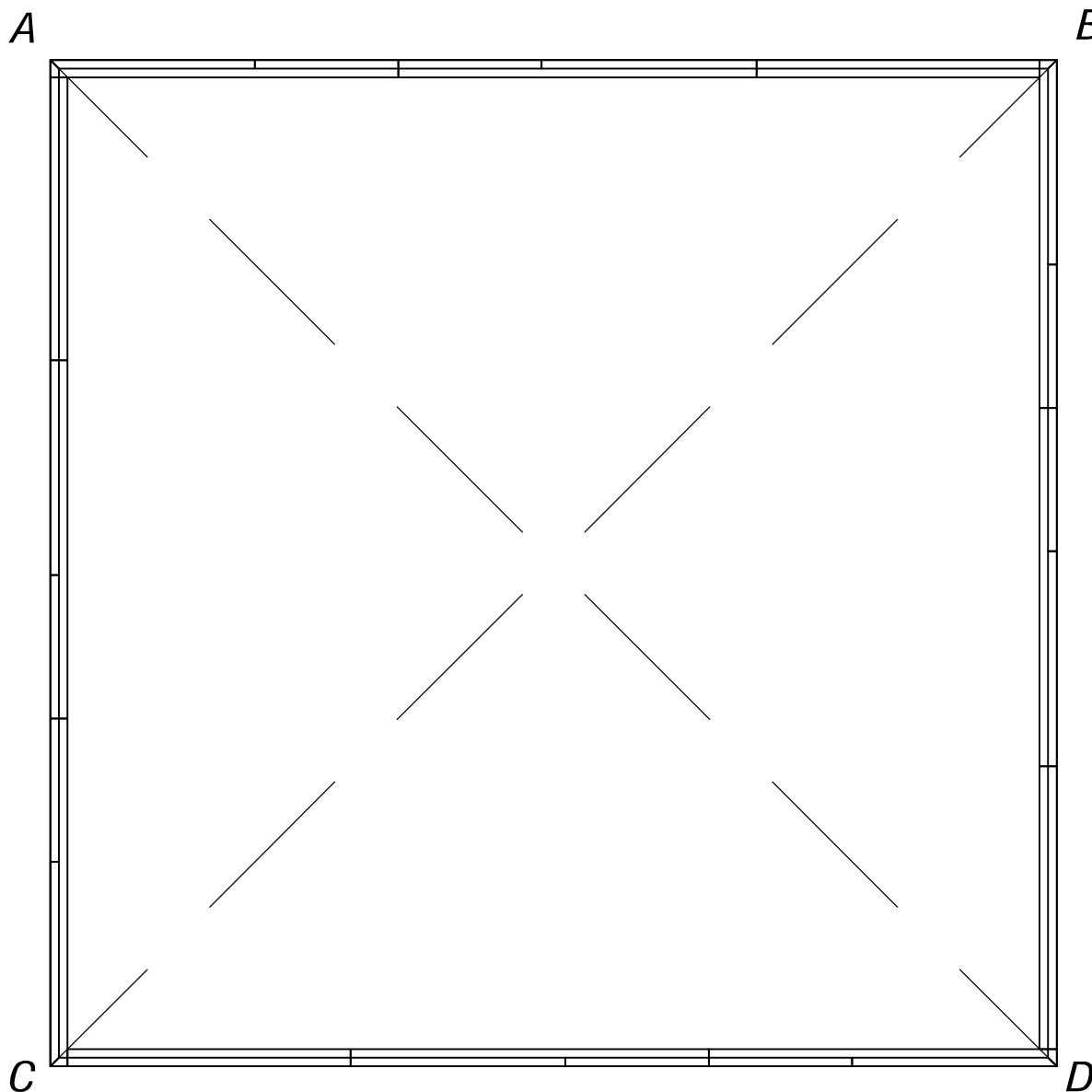
ATTACH THE CORNERS TOGETHER AS SHOWN IN DIAGRAM 1.

FASTEN ALL FOUR CORNERS IN THE SAME FASHION.

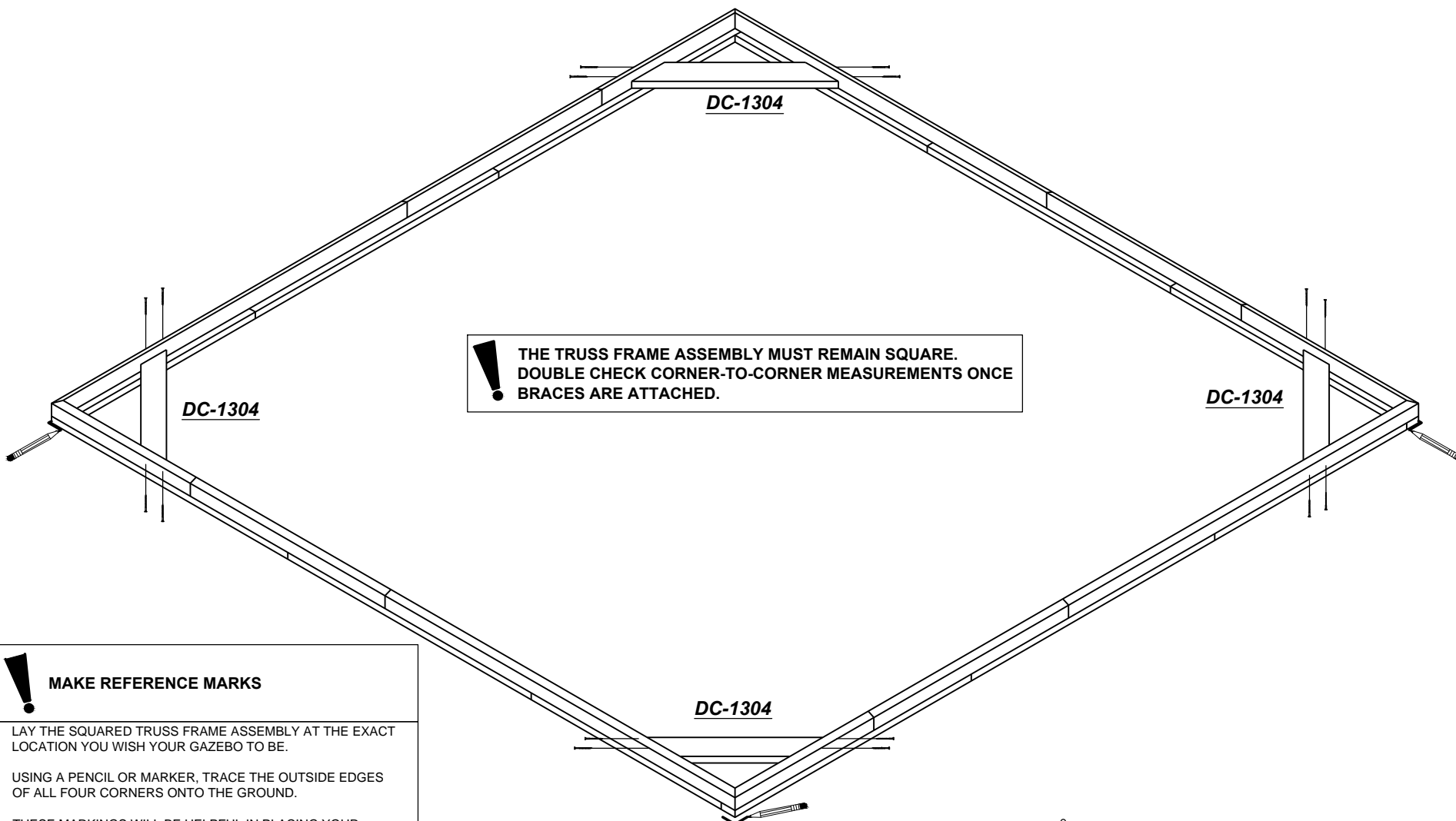


! THE TRUSS FRAME ASSEMBLY MUST BE SQUARE

MEASURE THE TRUSS FRAME TO VERIFY SQUARENESS.
THE MEASUREMENT FROM "A" TO "D" MUST EQUAL "B" TO "C".
ADJUST THE TRUSS FRAME UNTIL BOTH MEASUREMENTS ARE EQUAL.
A TO D = B TO C



ATTACH FOUR TRUSS FRAME BRACES (DC 1304).
 KEEP THE BRACES TIGHT TO THE BOTTOM PLATE.
 THIS STEP COMPLETES THE TRUSS FRAME.



! THE TRUSS FRAME ASSEMBLY MUST REMAIN SQUARE. DOUBLE CHECK CORNER-TO-CORNER MEASUREMENTS ONCE BRACES ARE ATTACHED.

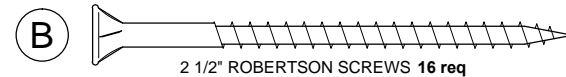
! **MAKE REFERENCE MARKS**

LAY THE SQUARED TRUSS FRAME ASSEMBLY AT THE EXACT LOCATION YOU WISH YOUR GAZEBO TO BE.

USING A PENCIL OR MARKER, TRACE THE OUTSIDE EDGES OF ALL FOUR CORNERS ONTO THE GROUND.

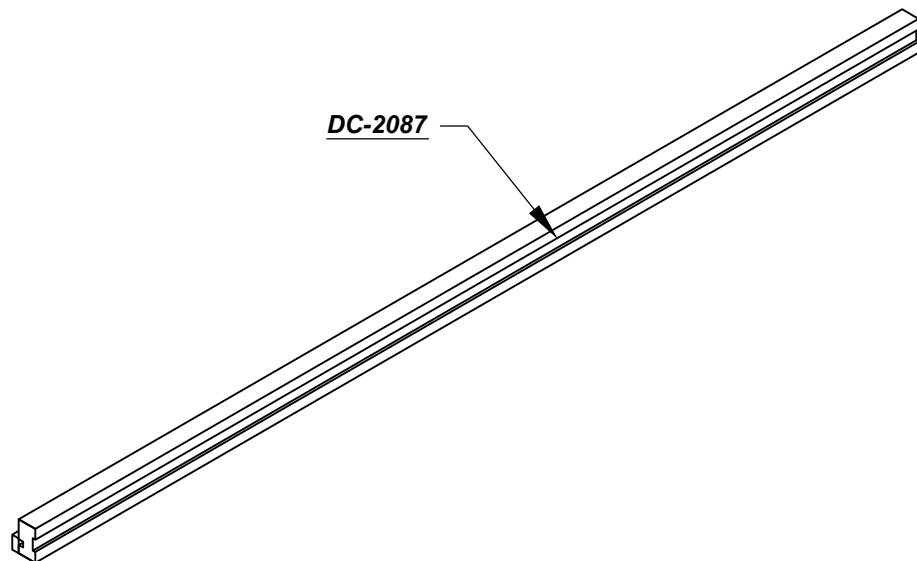
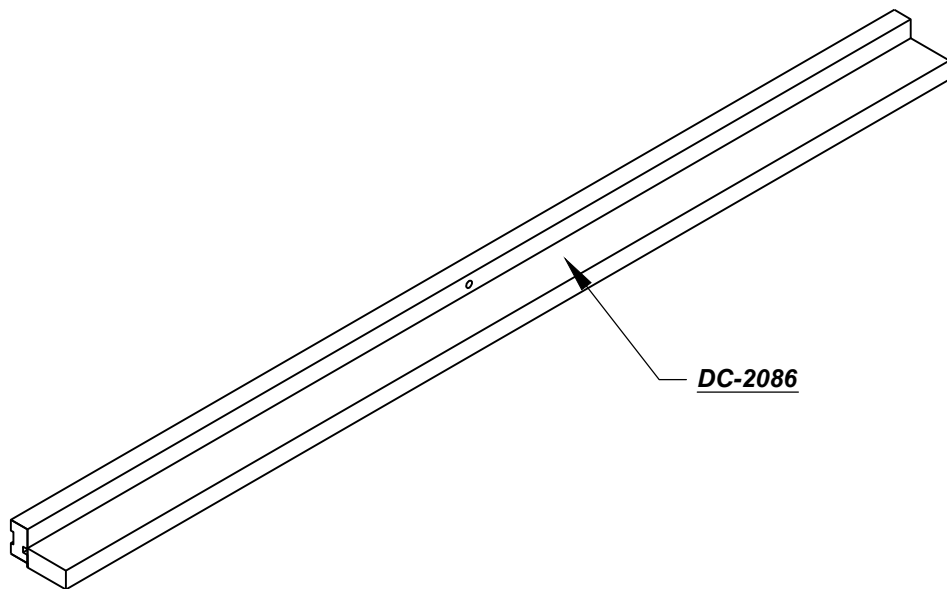
THESE MARKINGS WILL BE HELPFUL IN PLACING YOUR CORNER POSTS AND PANELS IN THE STEPS TO COME.

ONCE MARKINGS ARE COMPLETE, MOVE THE TRUSS FRAME UP AND OUT OF THE WAY.

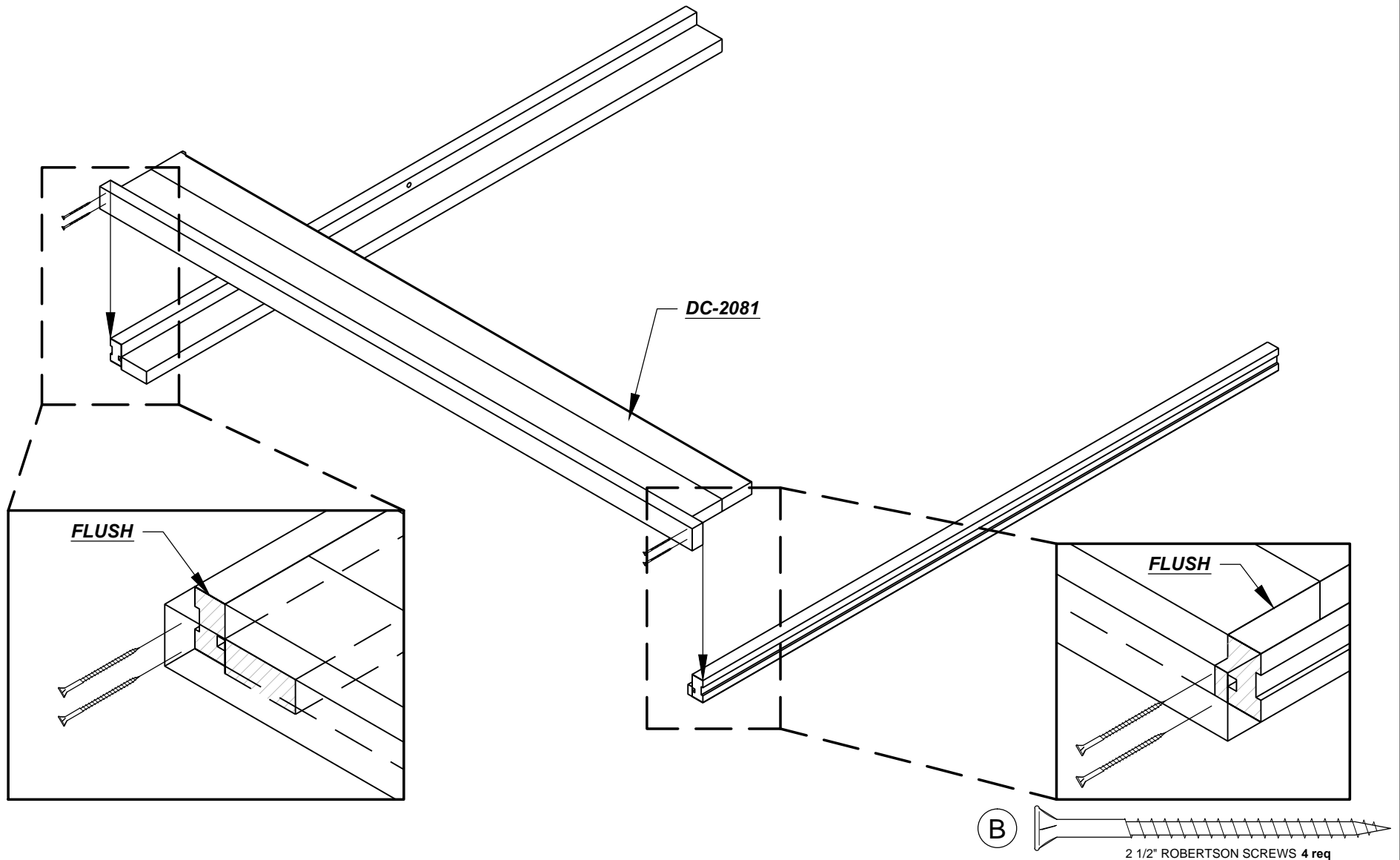


2 1/2" ROBERTSON SCREWS 16 req

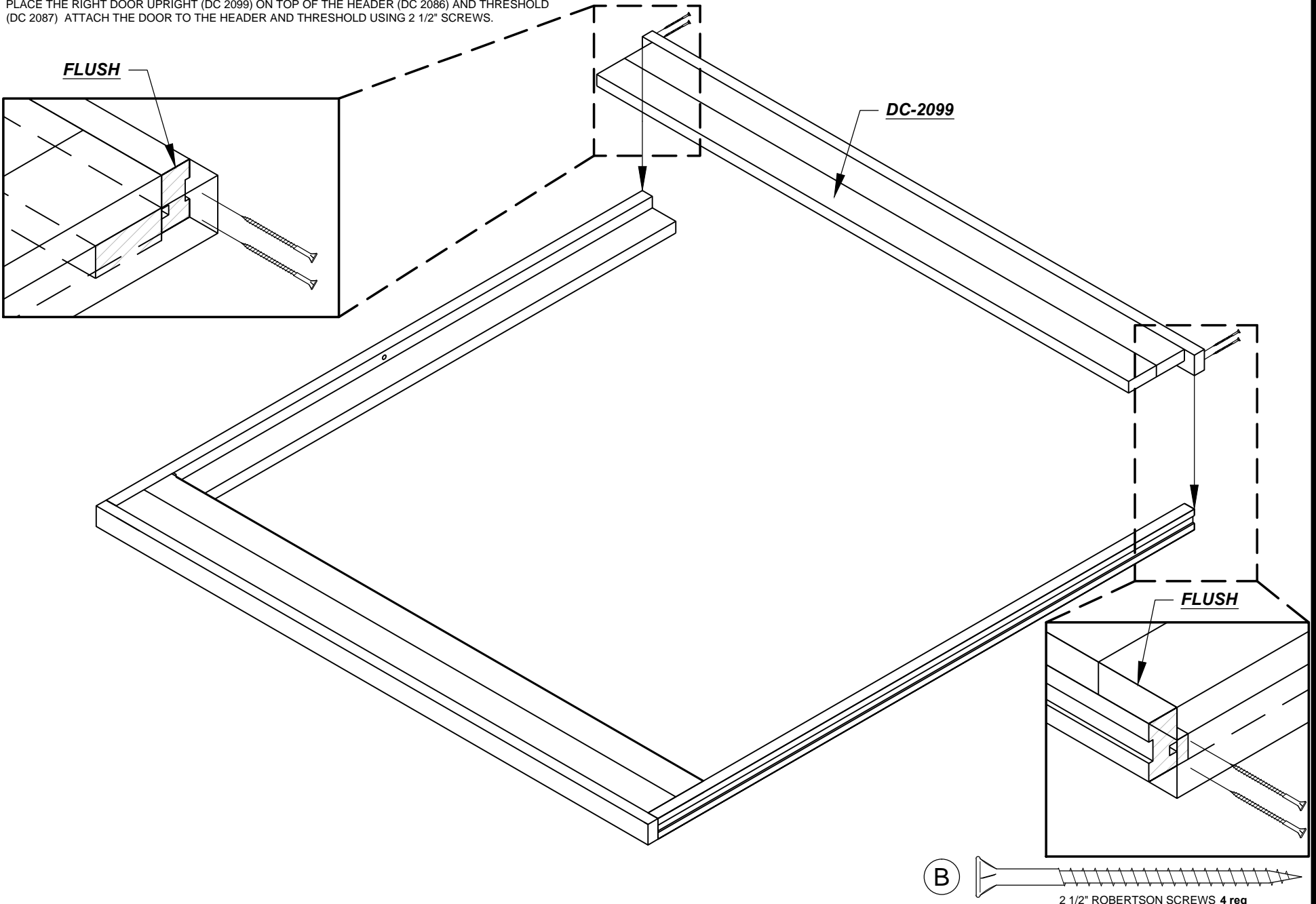
LAY THE DOOR HEADER (DC 2086) AND DOOR THRESHOLD (DC 2087) FLAT ON THE GROUND.



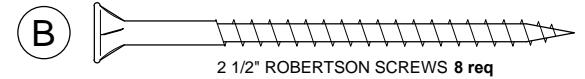
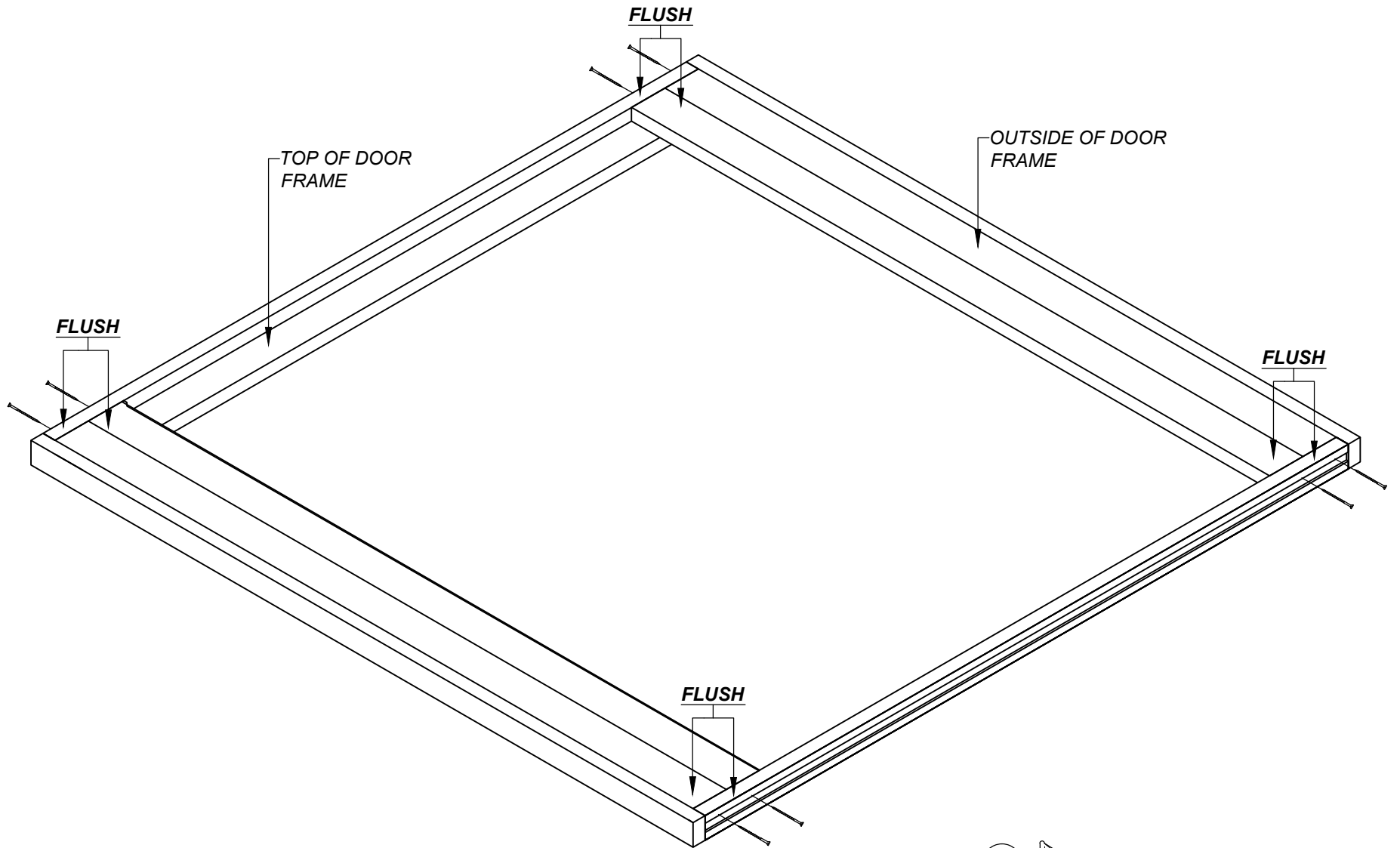
PLACE THE LEFT DOOR UPRIGHT (DC 2081) ON TOP OF THE DOOR HEADER (DC 2086) AND DOOR THRESHOLD (DC 2087) ATTACH THE DOOR TO THE HEADER AND THRESHOLD USING 2 1/2" SCREWS.



PLACE THE RIGHT DOOR UPRIGHT (DC 2099) ON TOP OF THE HEADER (DC 2086) AND THRESHOLD (DC 2087) ATTACH THE DOOR TO THE HEADER AND THRESHOLD USING 2 1/2" SCREWS.



CONTINUE TO FASTEN THE HEADER (DC 2086) AND THRESHOLD (DC 2087) TO THE LEFT AND RIGHT UPRIGHTS (DC 2081, DC 2099) USING 2 1/2" SCREWS AT THE LOCATIONS SHOWN.





OPTIONAL BAY KIT

IF YOU HAVE PURCHASED AN OPTIONAL BAY WALL KIT FOR YOUR OUTDOOR STRUCTURE, PLEASE MOVE ON TO STEP ONE OF THE INSTRUCTIONS PROVIDED WITH THE BAY KIT AT THIS TIME.

ATTACH WALL PANELS (DC 2421 and/or 2422) OR DOOR PANEL ASSEMBLY TO EACH CORNER POST (DC 1039). NOTE THE SCREW LOCATIONS IN THE DIAGRAM.

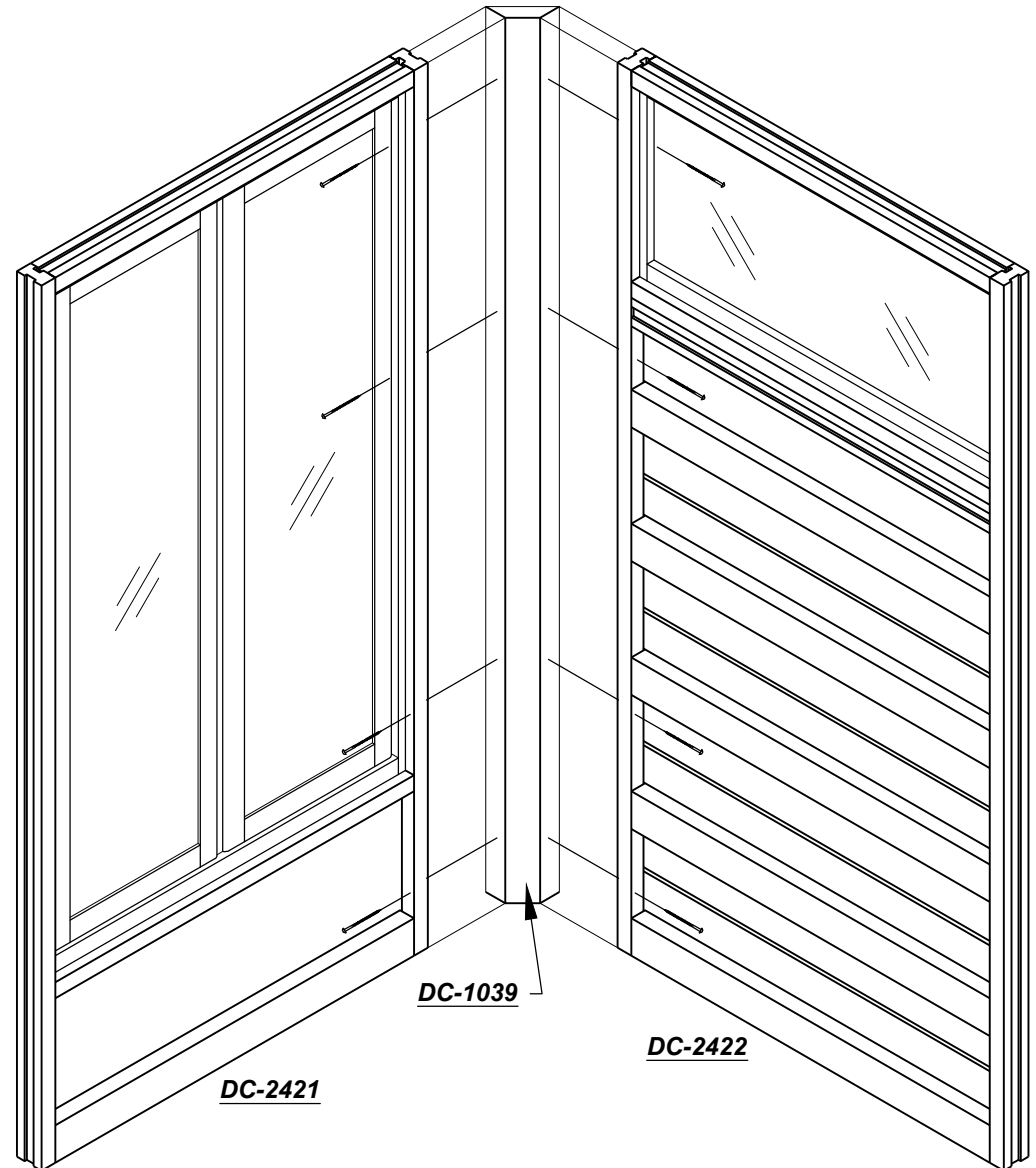
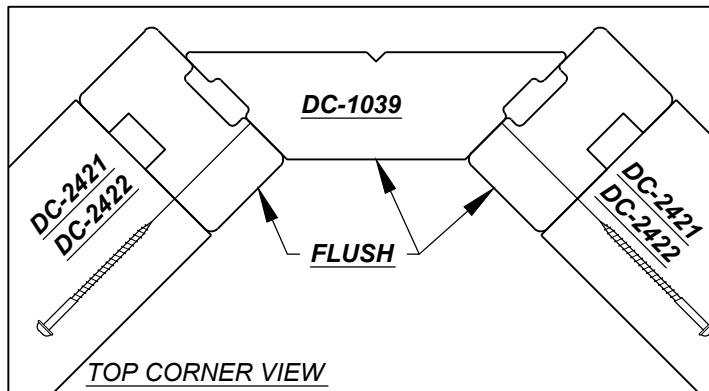
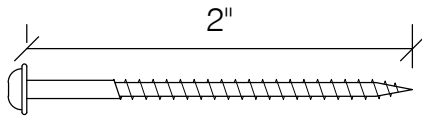
WALL PANELS ARE TO BE FLUSH WITH THE INSIDE OF THE POST AND FLUSH AT TOP AND BOTTOM.

IF YOU WANT THE DOOR TO BE LOCATED TIGHT TO A CORNER, SUBSTITUTE A WALL PANEL FOR THE DOOR PANEL.

MOVE ALL FOUR ASSEMBLIES TO THE GROUND REFERENCE MARKERS FROM STEP THREE.

! (P) 2" SCREWS

CRITICAL TO USE 2" SCREWS FOR FASTENING POSTS TO PANELS

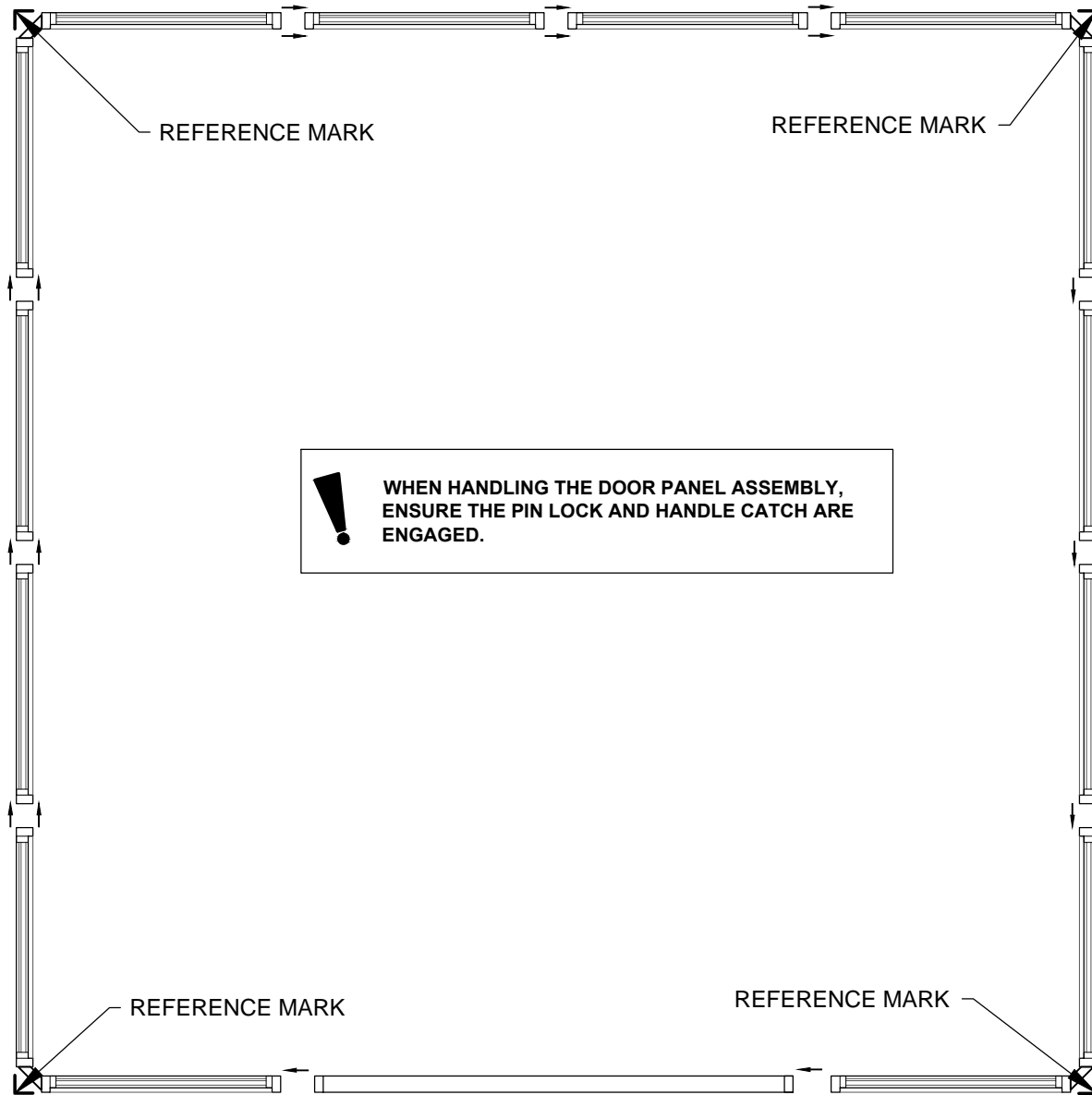
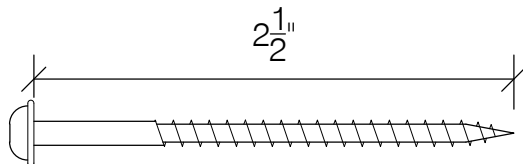


USING 2 1/2" PANHEAD ROBERTSON SCREWS ATTACH THE REMAINDER WALL PANELS (DC 2120) AND THE DOOR PANEL. CONTINUE THE SAME SCREW PATTERN FROM THE PREVIOUS STEP.

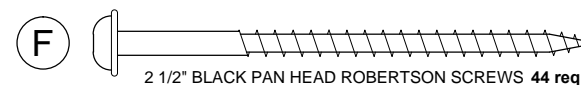
WALL PANELS ARE TO BE FLUSH WITH EACH OTHER AND FLUSH AT TOP AND BOTTOM.

! (F) 2 1/2" SCREWS

CRITICAL TO USE 2 1/2" SCREWS FOR FASTENING THE PANELS TOGETHER.

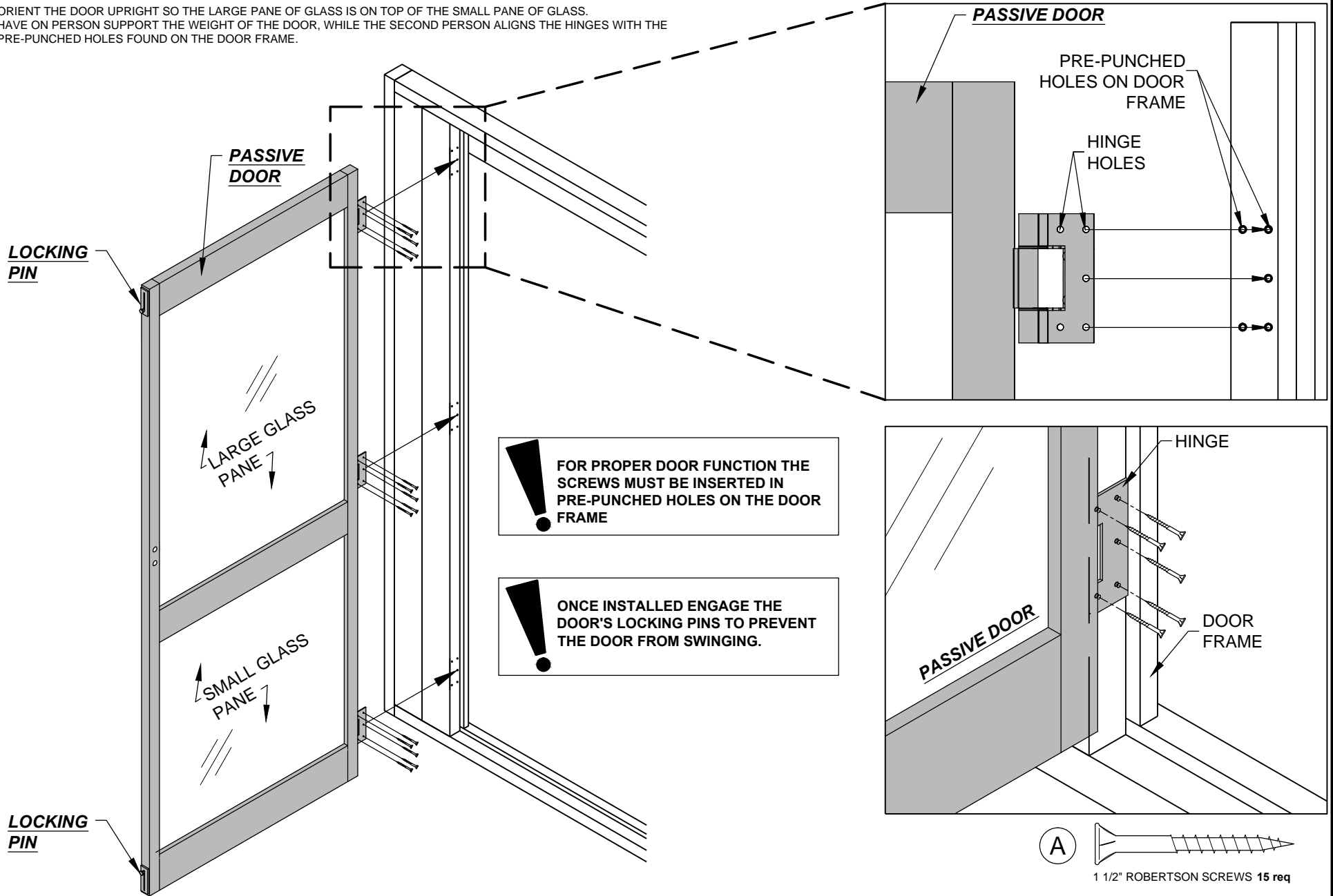


! WHEN HANDLING THE DOOR PANEL ASSEMBLY, ENSURE THE PIN LOCK AND HANDLE CATCH ARE ENGAGED.



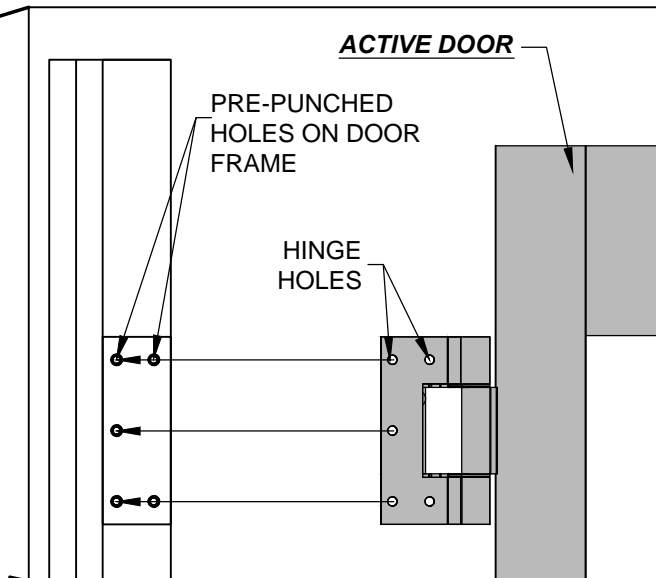
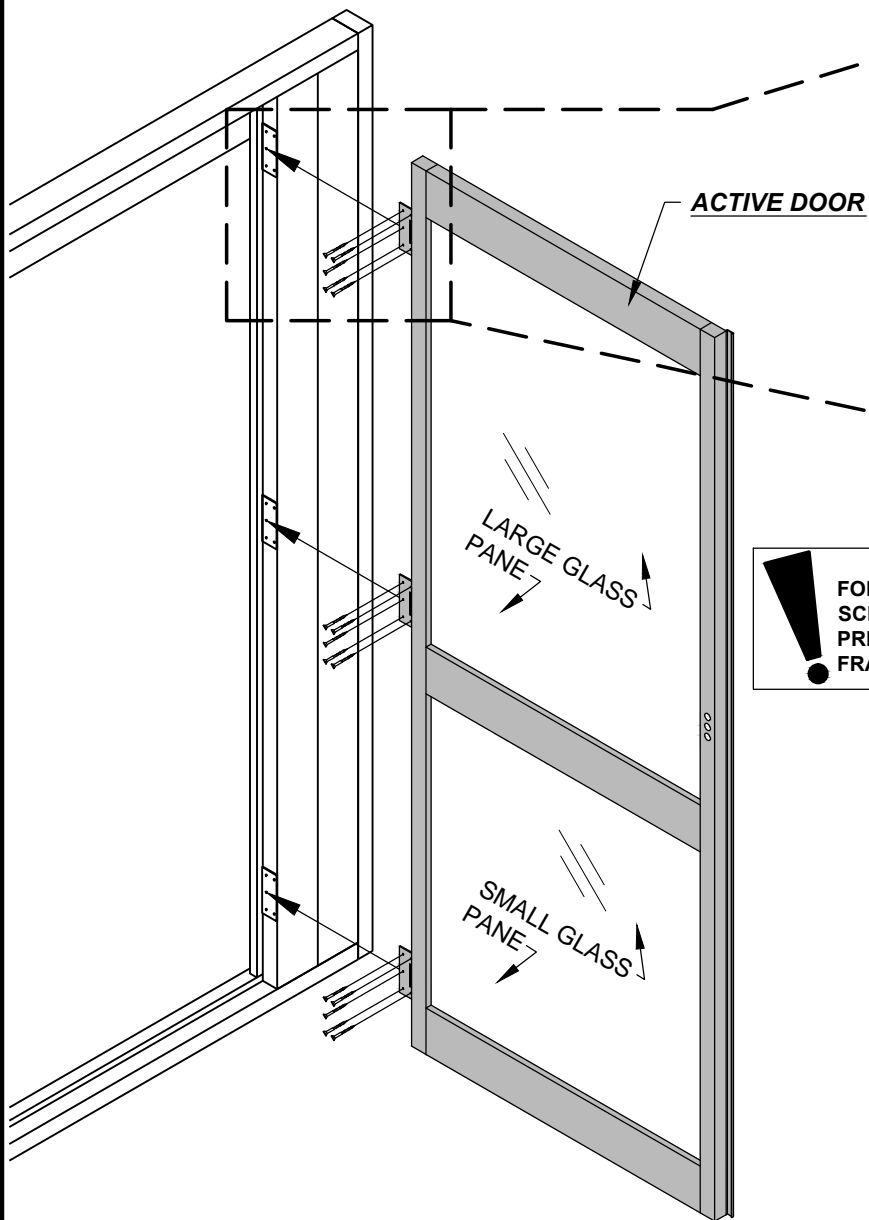
OPEN THE BOX LABELED DC 2140 AND LOCATE THE PASSIVE DOOR.

ORIENT THE DOOR UPRIGHT SO THE LARGE PANE OF GLASS IS ON TOP OF THE SMALL PANE OF GLASS. HAVE ONE PERSON SUPPORT THE WEIGHT OF THE DOOR, WHILE THE SECOND PERSON ALIGNS THE HINGES WITH THE PRE-PUNCHED HOLES FOUND ON THE DOOR FRAME.

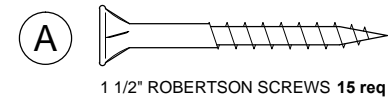
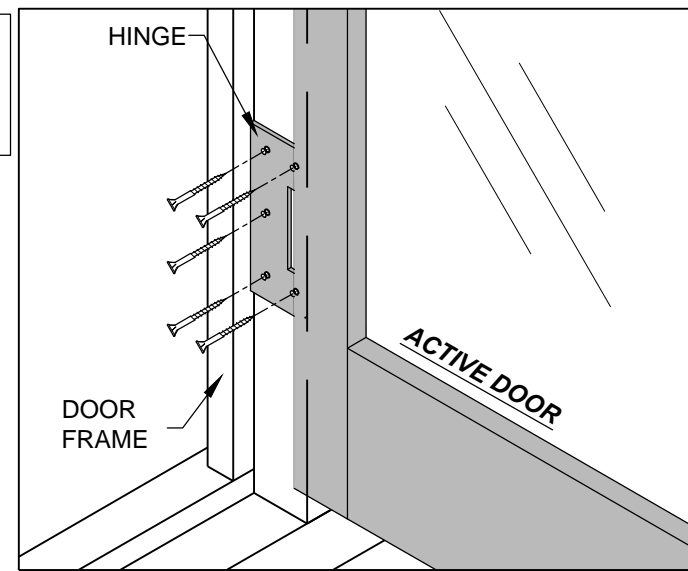


LOCATE THE ACTIVE DOOR.

ORIENT THE DOOR UPRIGHT SO THE LARGE PANE OF GLASS IS ON TOP OF THE SMALL PANE OF GLASS. HAVE ONE PERSON SUPPORT THE WEIGHT OF THE DOOR, WHILE THE SECOND PERSON ALIGNS THE HINGES WITH THE PRE-PUNCHED HOLES FOUND ON THE DOOR FRAME.

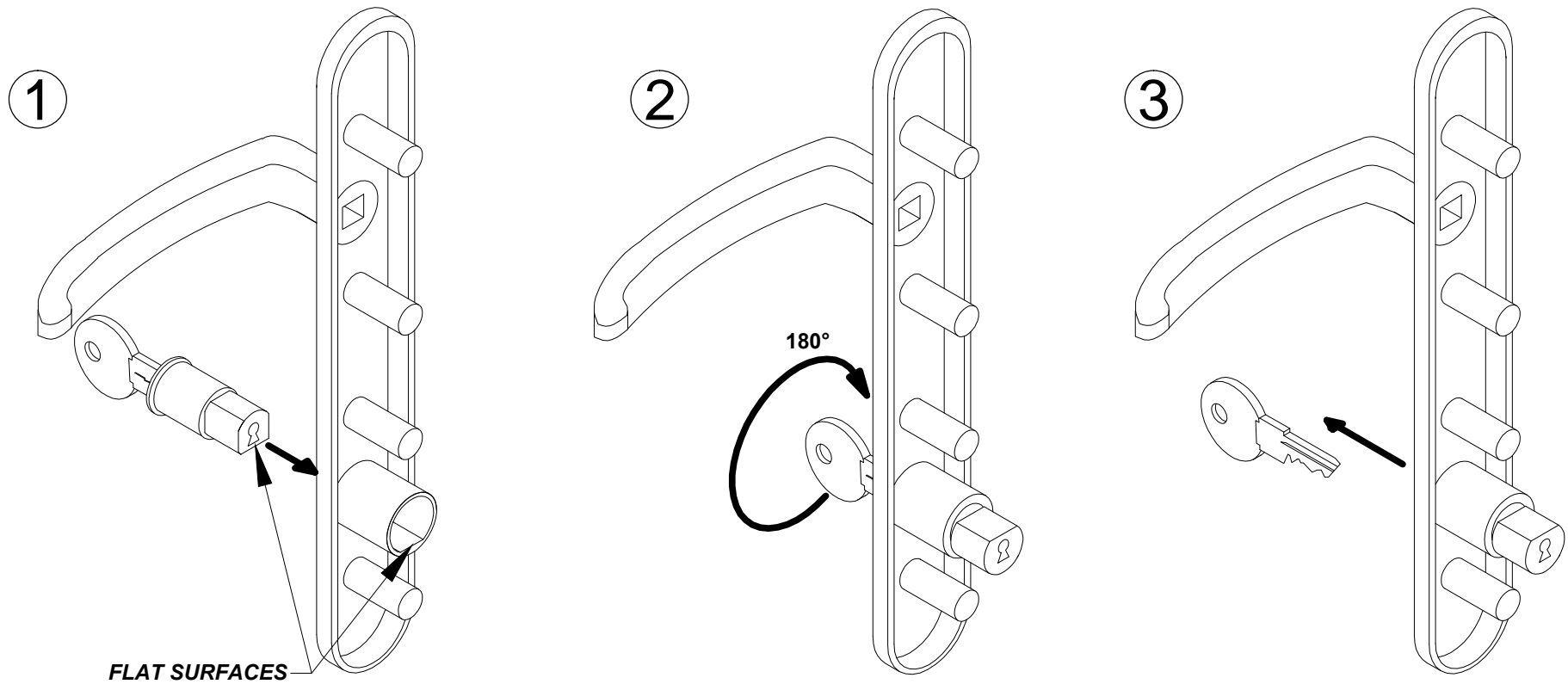


! FOR PROPER DOOR FUNCTION THE SCREWS MUST BE INSERTED IN PRE-PUNCHED HOLES ON THE DOOR FRAME



LOCATE THE DOOR HANDLE (DC 2386) AND ASSEMBLE THE LOCK

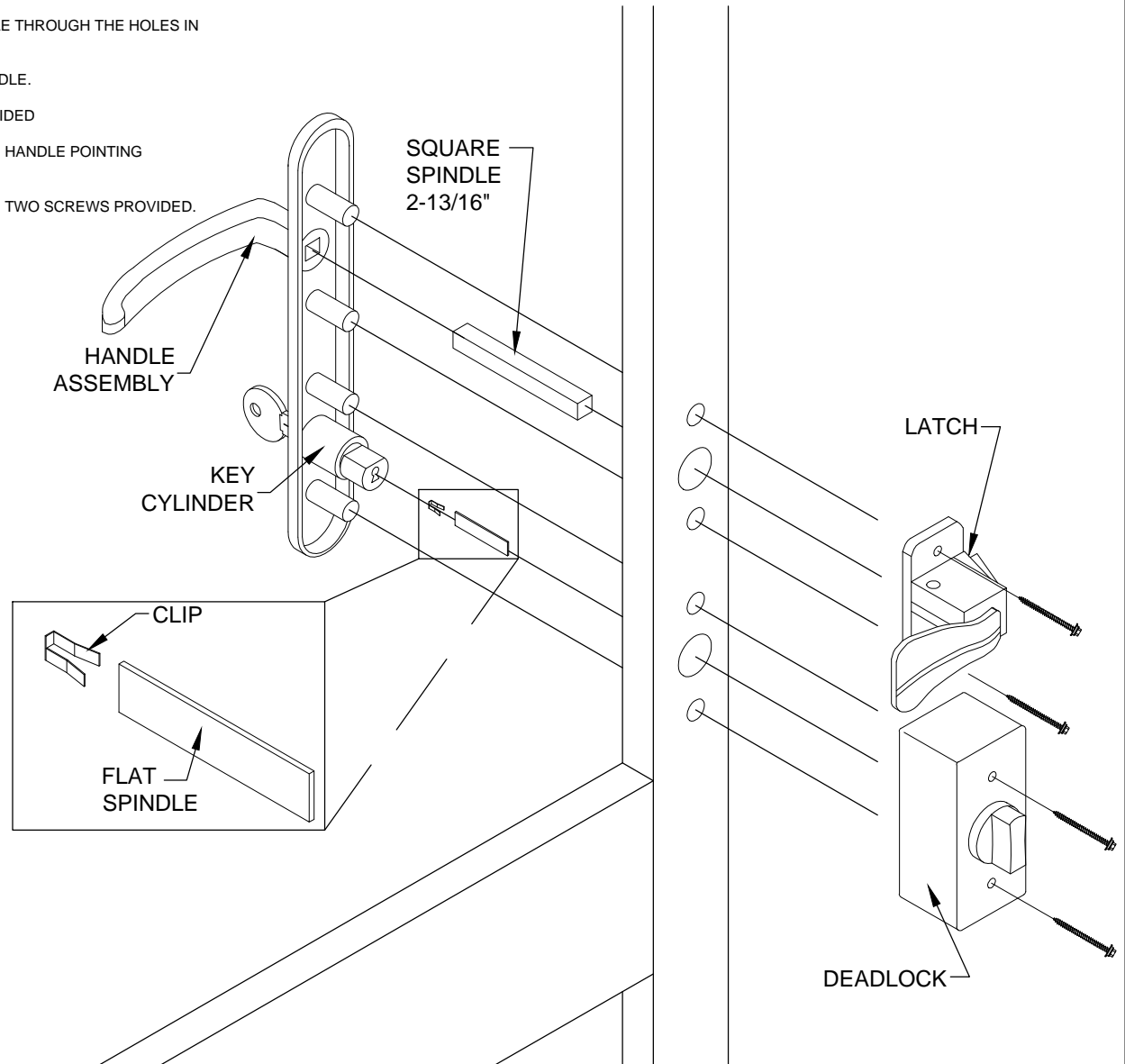
- ① ORIENTATE FLAT SURFACES
- ② TURN KEY 180° IN THE COUNTER-CLOCKWISE DIRECTION
- ③ REMOVE KEY FROM LOCK ASSEMBLY



ASSEMBLE AND ATTACH THE DOOR HANDLE AND LATCH (DC 2386) TO THE ACTIVE (RIGHT) DOOR. USE THE HARDWARE PACK PROVIDED.

- ① INSERT THE 2 13/16" SQUARE SPINDLE INTO THE HANDLE. TIGHTEN THE SET SCREW WITH THE ALLEN KEY
- ② INSERT THE CLIP OVER THE FLAT SPINDLE ALL THE WAY INTO THE KEY CYLINDER
- ③ GUIDE THE HANDLE ASSEMBLY, WITH THE FLAT SPINDLE AND SQUARE SPINDLE THROUGH THE HOLES IN THE DOOR
- ④ ON THE INSIDE OF THE DOOR, POSITION THE DEADLOCK OVER THE FLAT SPINDLE.
- ⑤ FASTEN THE DEADLOCK TO THE HANDLE ASSEMBLY WITH THE SCREWS PROVIDED
- ⑥ HOLD THE OUTSIDE HANDLE IN ITS PROPER POSITION (HORIZONTAL WITH THE HANDLE POINTING TOWARDS THE HINGE).
- ⑦ GUIDE THE LATCH OVER THE SQUARE SPINDLE. FASTEN THE LATCH WITH THE TWO SCREWS PROVIDED.

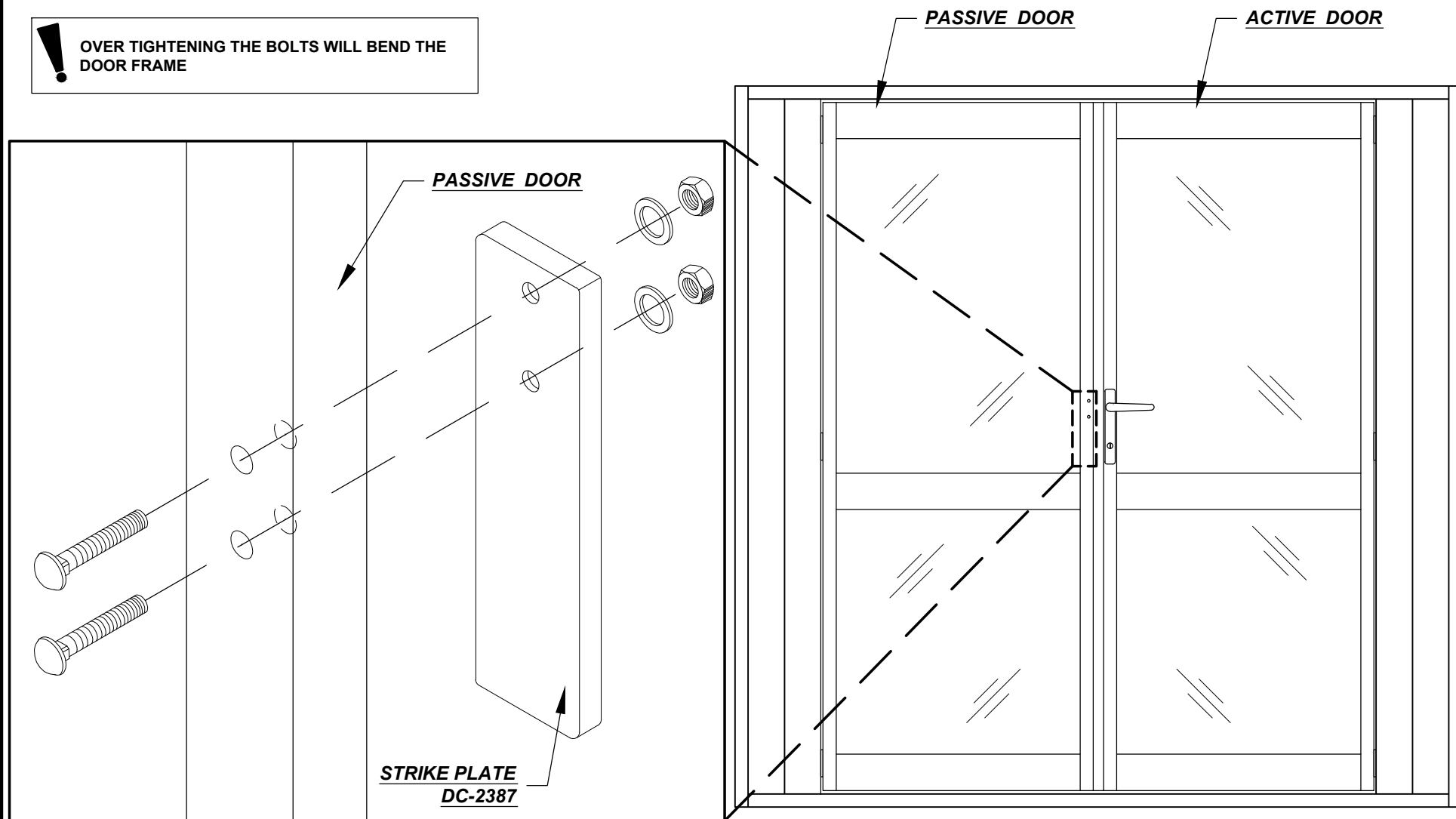
DISCARD ALL REMAINING HARDWARE FROM THE PACK.



SLIDE THE TWO 1-3/4" CARRIAGE BOLTS THROUGH THE TWO HOLES OF THE PASSIVE LEFT DOOR FROM THE OUTSIDE IN.

SLIP THE STRIKE PLATE (DC 2387) OVER THE ENDS OF THE BOLTS. TIGHTEN THE STRIKE PLATE TO THE DOOR WITH WASHERS AND NUTS

! OVER TIGHTENING THE BOLTS WILL BEND THE DOOR FRAME



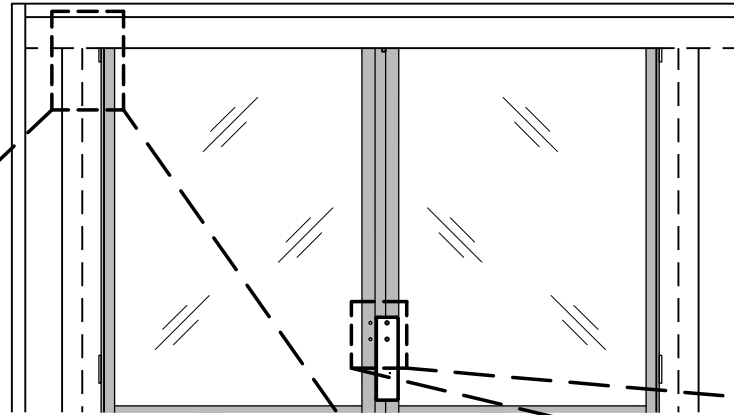
DOOR ALIGNMENT

TO ADJUST AND ALIGN THE DOORS, USE THE BLACK PLASTIC SHIMS AS PROVIDED

WORK ON ONE HINGE AT A TIME

ADD SHIMS BETWEEN THE HINGE AND DOOR FRAME TO ADJUST THE DOORS ALIGNMENT AND ANGLE.

THE DOORS SHOULD SWING FREELY WITHOUT BINDING ON THE FRAME.

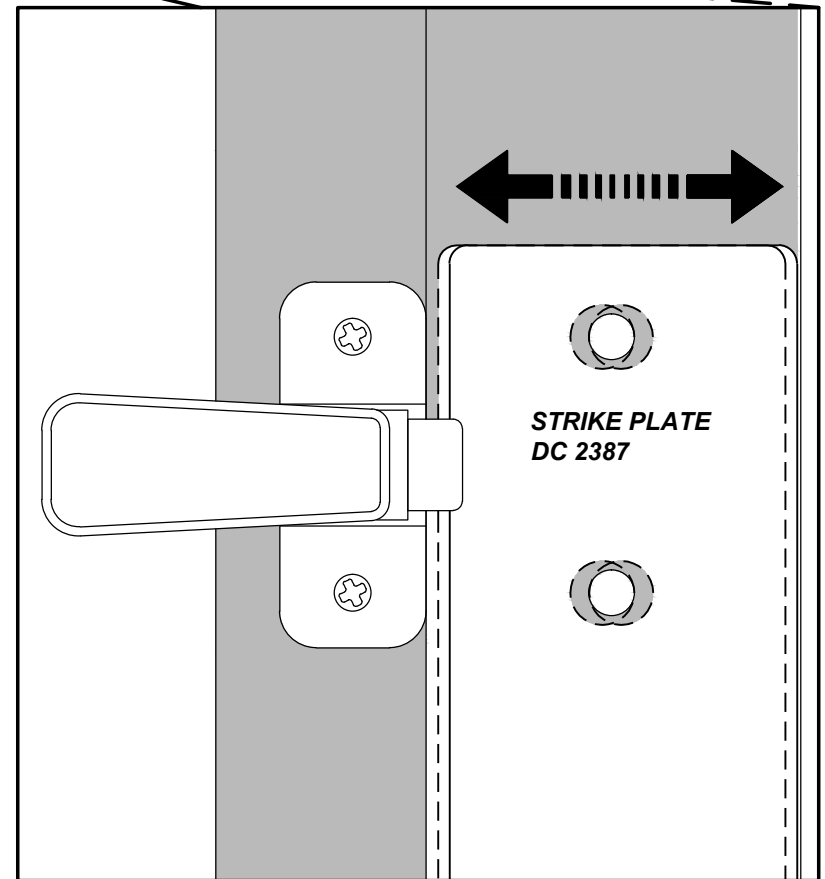
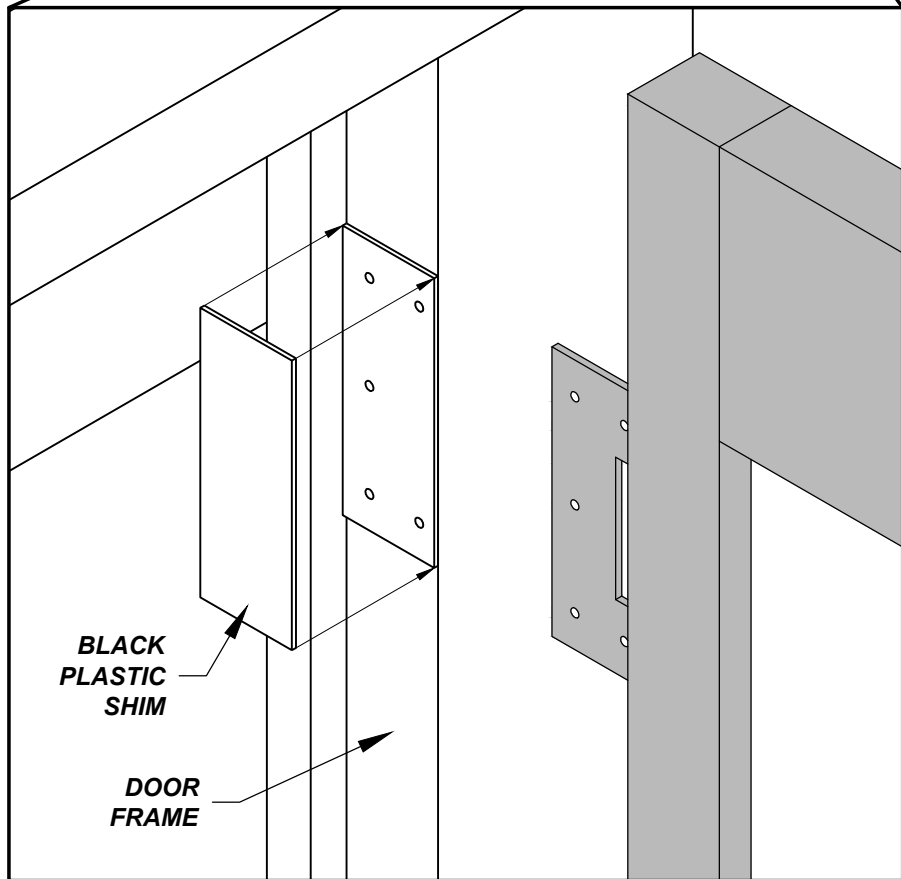


LATCH ALIGNMENT

LOOSEN THE NUTS FOUND AT THE STRIKE PLATE (DC 2387).

MOVE THE STRIKE PLATE (DC 2387) LEFT OR RIGHT UNTIL THE DOORS CLOSE FIRMLY.

TIGHTEN THE NUTS TO SET THE STRIKE PLATE.



INSTALL FILLER STRIPS FOR PANEL JOINTS

UNWRAP THE FILLER STRIPS (DC 2069).

SLIDE ONE FILLER STRIP IN EACH PANEL JOINT.

THE FILLER STRIPS WILL SIT LOOSE IN THE JOINTS.

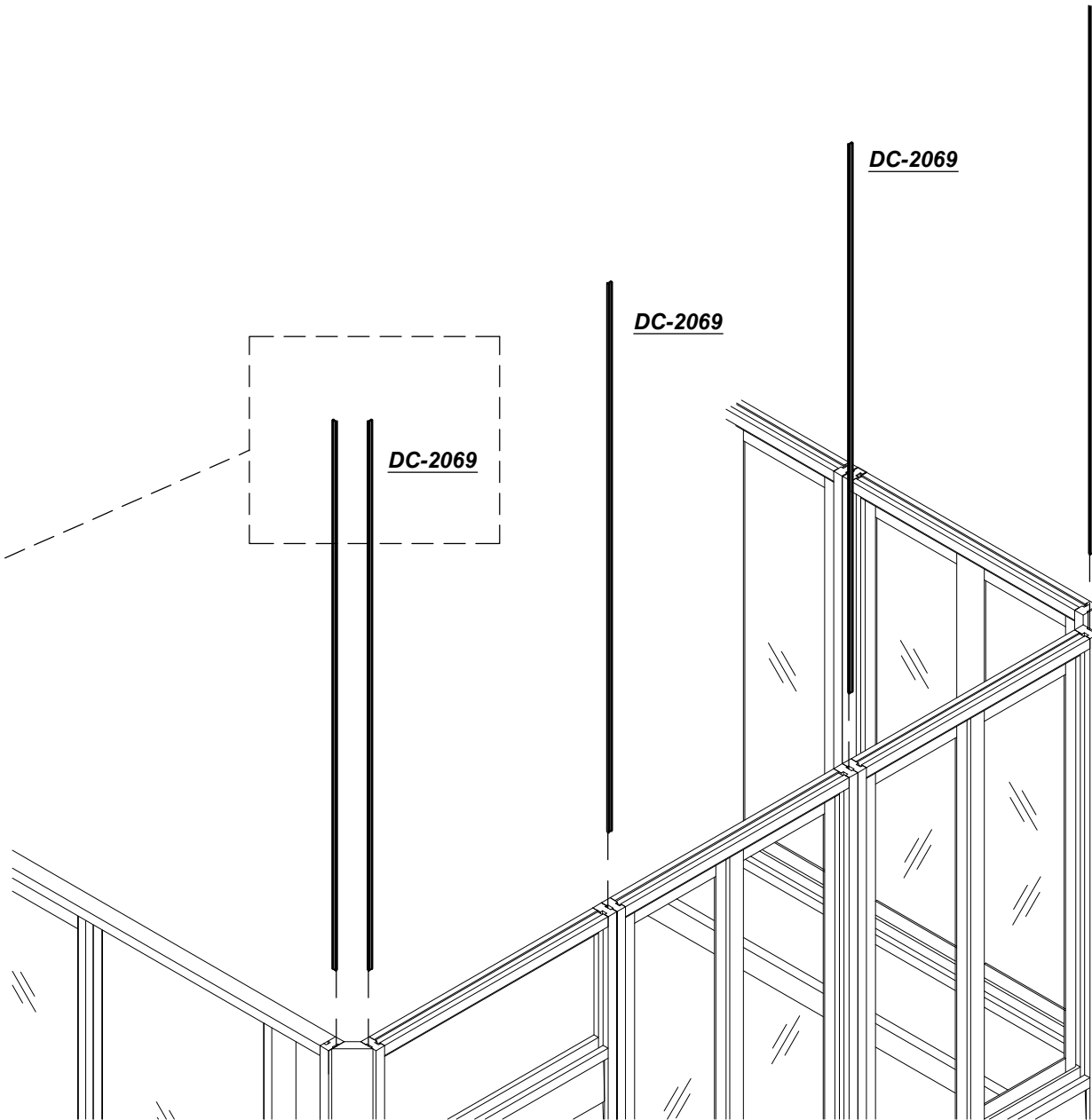
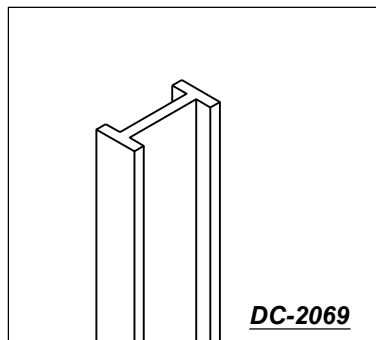
DC-2069

DC-2069

DC-2069

DC-2069

DC-2069

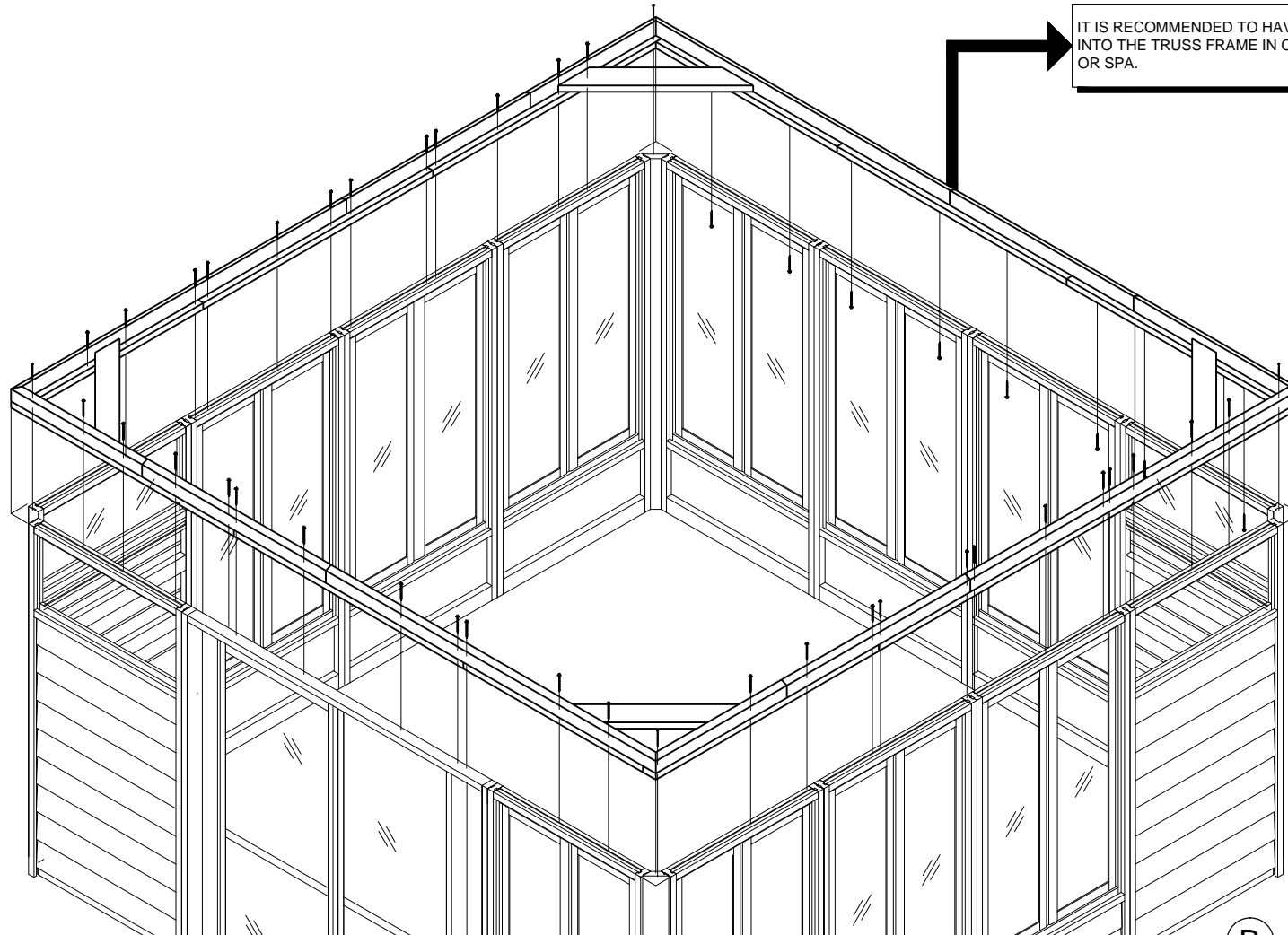


LIFT THE TRUSS FRAME ASSEMBLY AND CAREFULLY PLACE IT ON TOP OF THE STRUCTURE.

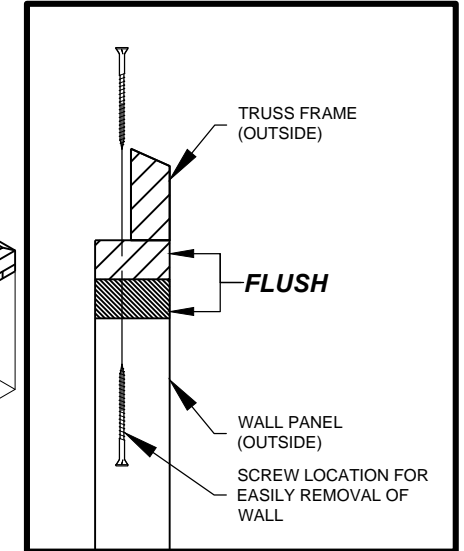
THE OUTSIDE SURFACE OF THE WALLS ARE TO BE FLUSH WITH THE OUTSIDE OF THE TRUSS FRAME ASSEMBLY.

SCREW DOWN THROUGH THE PLATE OF THE TRUSS FRAME ASSEMBLY INTO THE TOP OF EACH WALL AND DOOR PANEL.

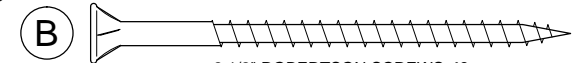
USE THREE SCREWS PER WALL PANEL AND FOUR PER DOOR PANEL.



IT IS RECOMMENDED TO HAVE ONE WALL SCREWED FROM THE PANEL UP INTO THE TRUSS FRAME IN CASE OF SERVICING NEEDS FOR FURNITURE OR SPA.



SECTION VIEW

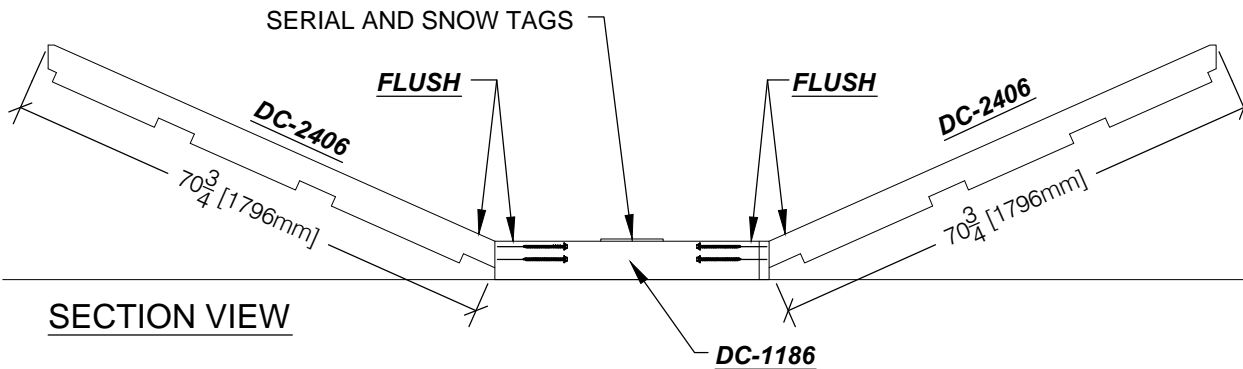
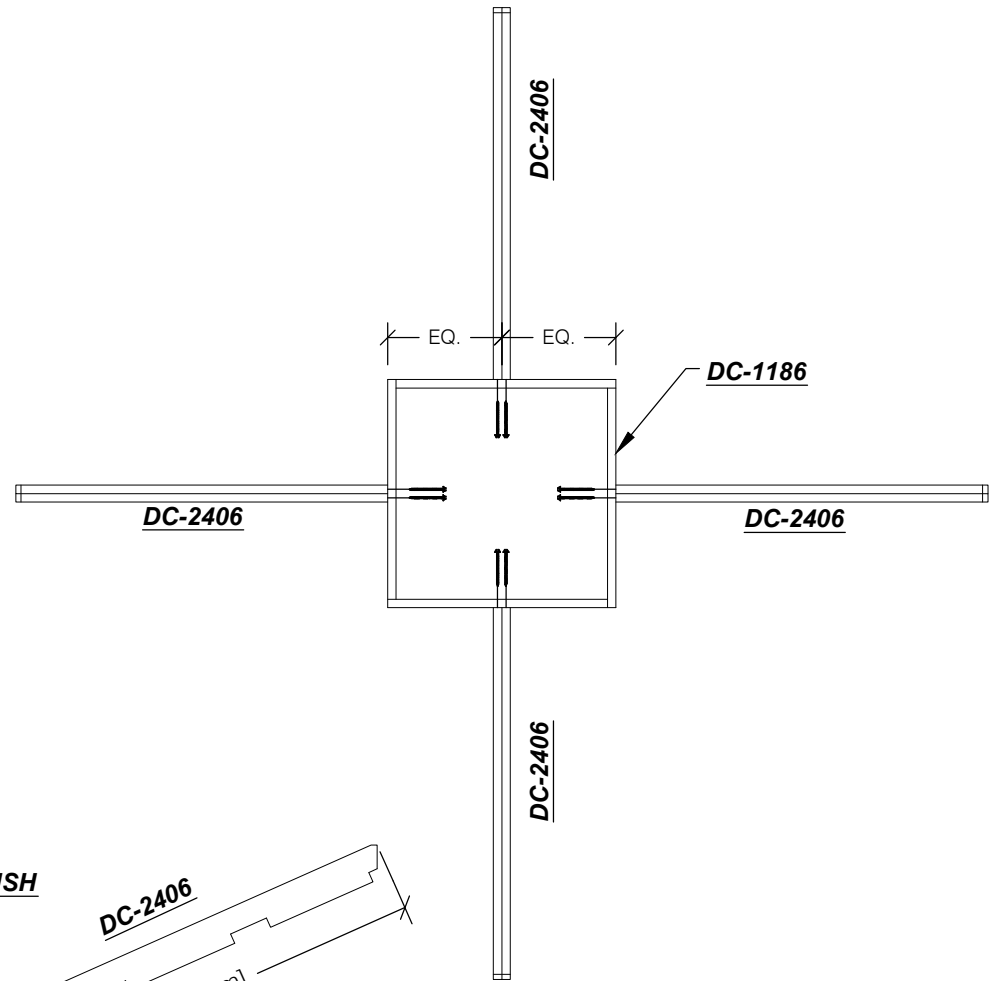


2 1/2" ROBERTSON SCREWS 43 req

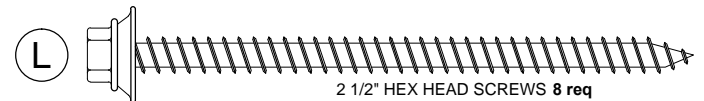
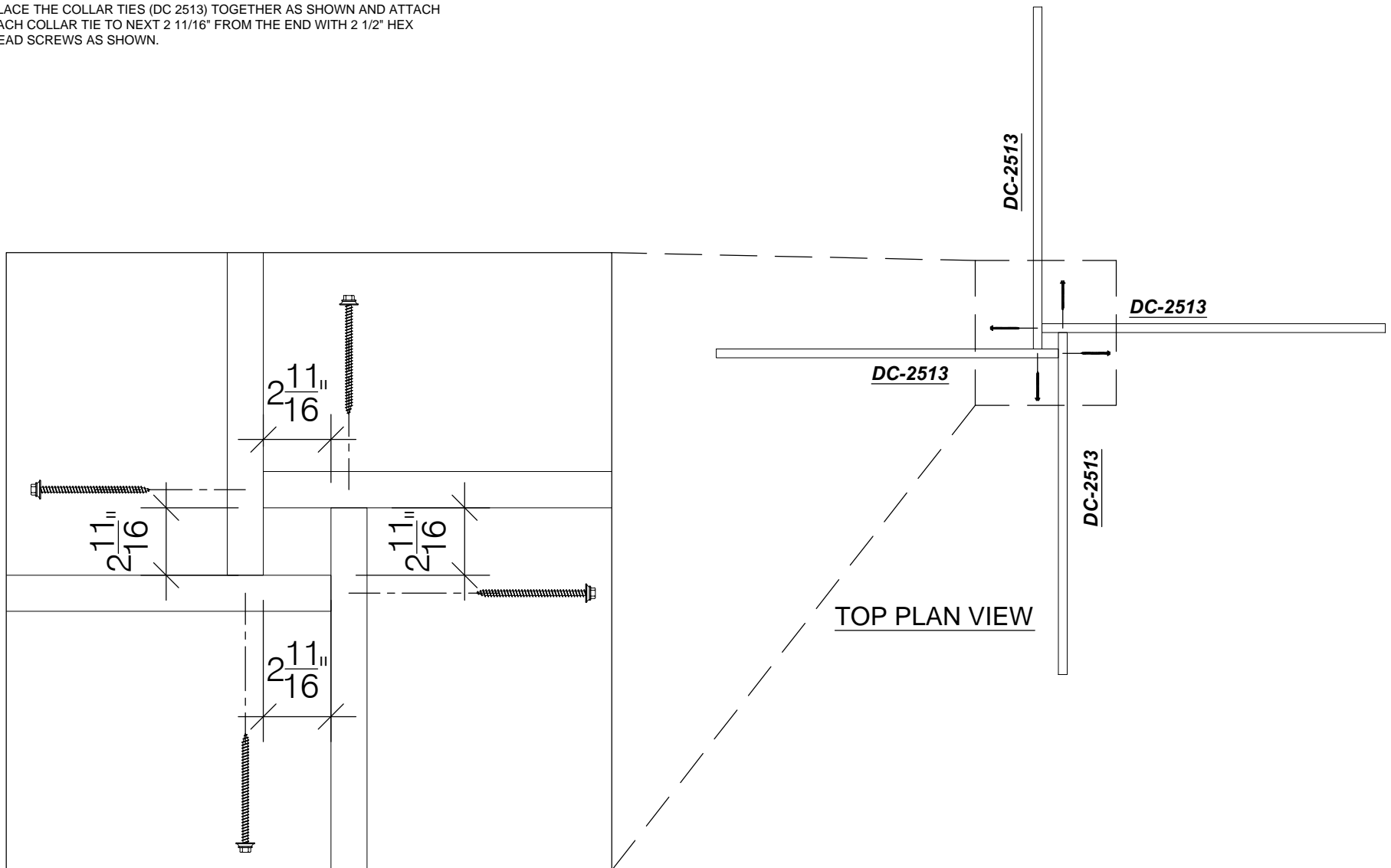
PLACE PEAK FRAME (DC 1186) ON A FLAT SURFACE.

ATTACH COMMON RAFTERS (DC 2406) TO THE PEAK FRAME (DC 1186), CENTRED ON EACH SIDE.

THE BOTTOM EDGE OF THE RAFTERS ARE TO BE FLUSH WITH THE BOTTOM OF THE PEAK FRAME.

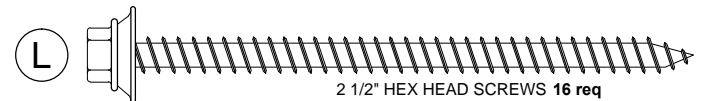
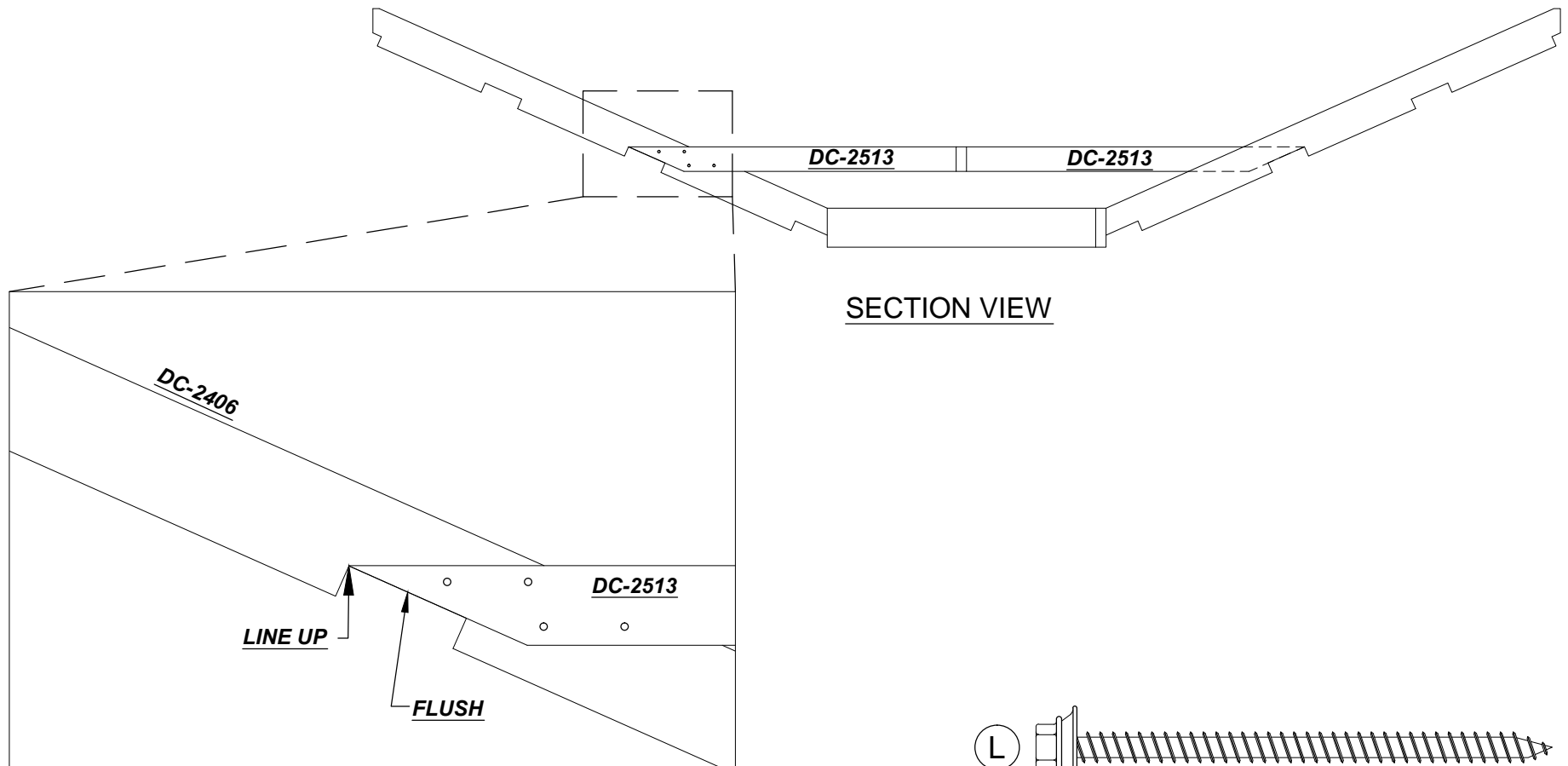


PLACE THE COLLAR TIES (DC 2513) TOGETHER AS SHOWN AND ATTACH EACH COLLAR TIE TO NEXT 2 11/16" FROM THE END WITH 2 1/2" HEX HEAD SCREWS AS SHOWN.



2 1/2" HEX HEAD SCREWS 8 req

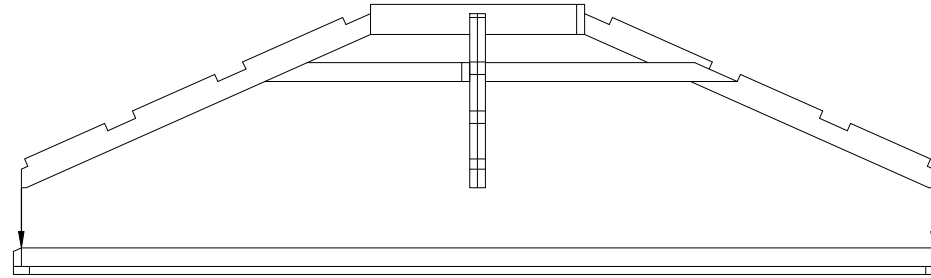
ATTACH THE COLLAR TIE ASSEMBLY WITH FOUR 2 1/2" HEX HEAD SCREWS THROUGH EACH COLLAR TIE INTO EACH COMMON RAFTER, AS SHOWN IN THE DETAIL VIEW.



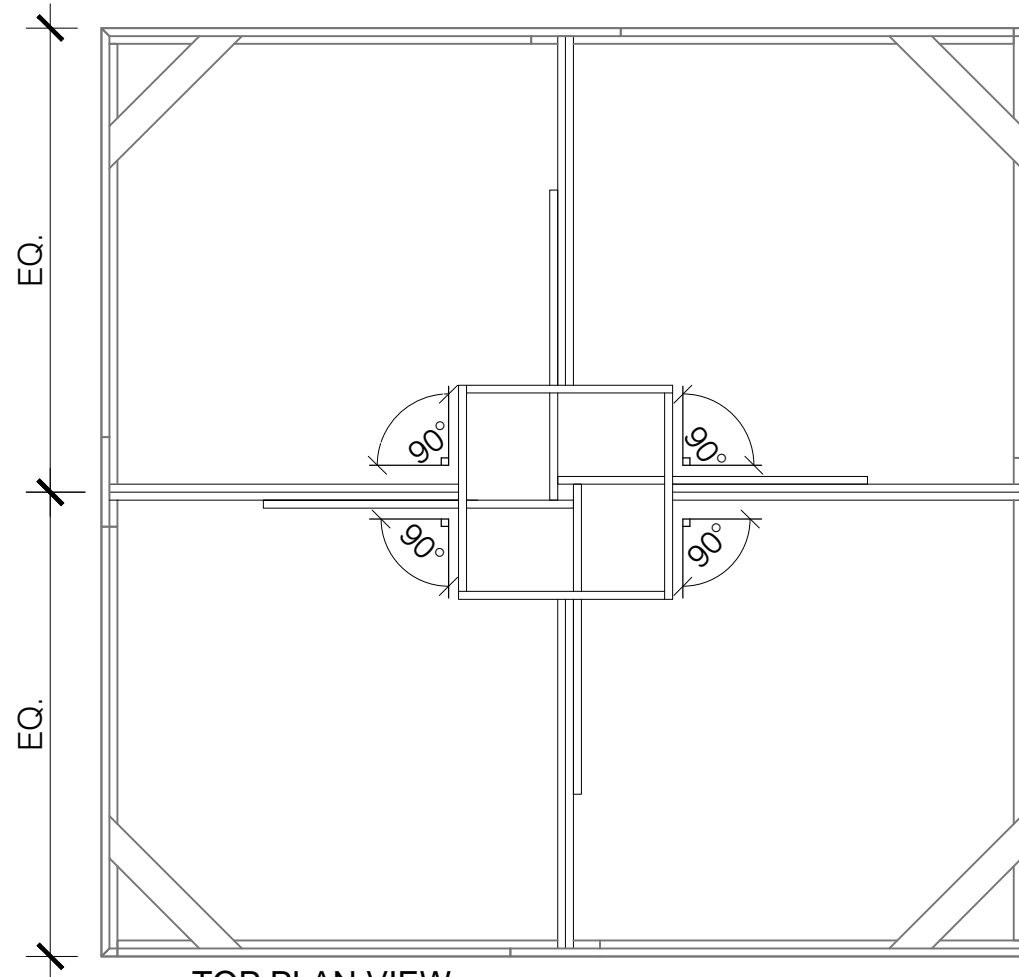
FLIP FRAME AND RAFTER ASSEMBLY OVER AND PLACE ON TRUSS FRAME.

SQUARE THE RAFTERS TO THE TRUSS FRAME.

DO NOT FASTEN RAFTERS TO THE TRUSS FRAME AT THIS TIME.



SECTION VIEW

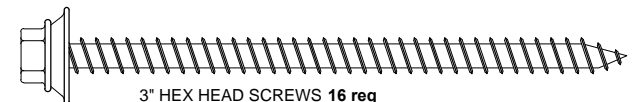
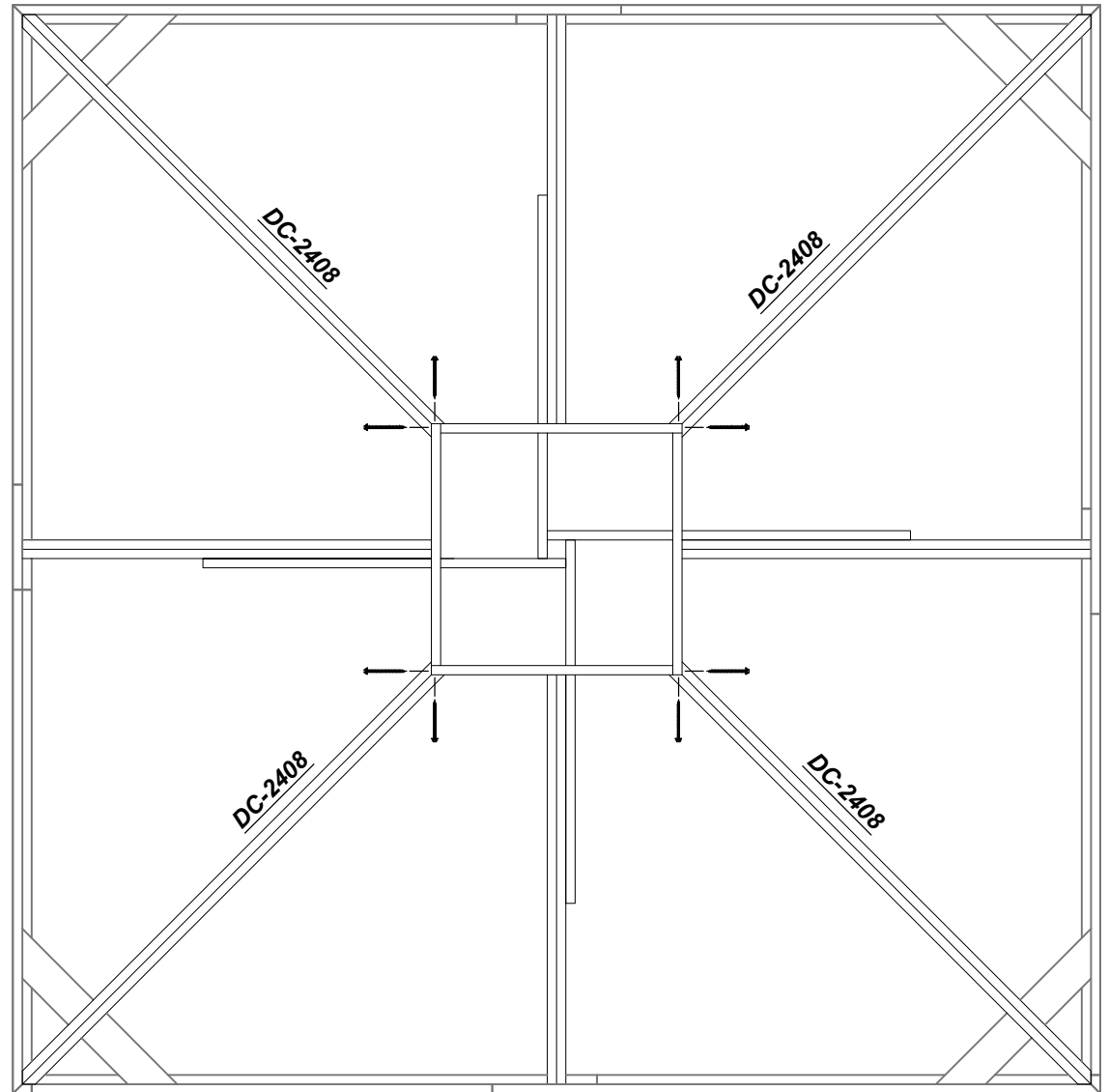
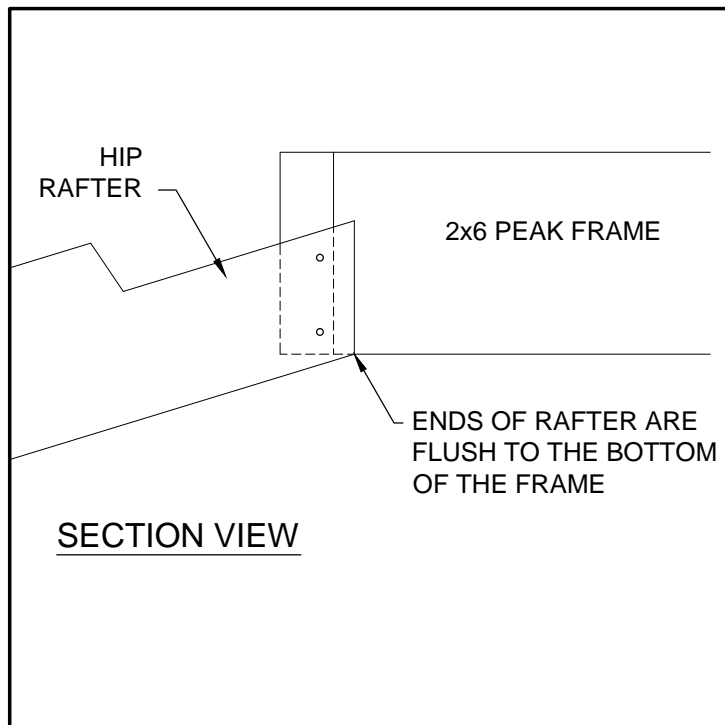


TOP PLAN VIEW

ATTACH HIP RAFTERS (DC 2408).

THE BOTTOM EDGE OF THE RAFTER IS TO BE FLUSH WITH THE BOTTOM EDGE OF THE PEAK FRAME.

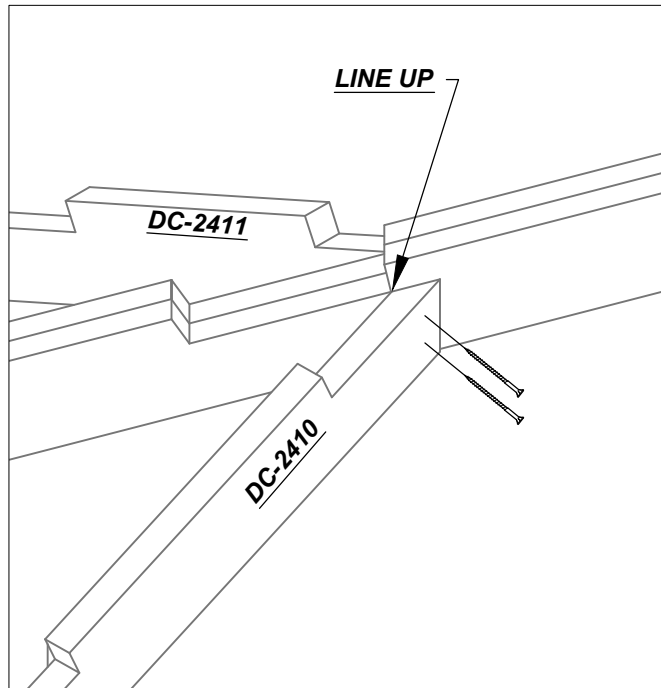
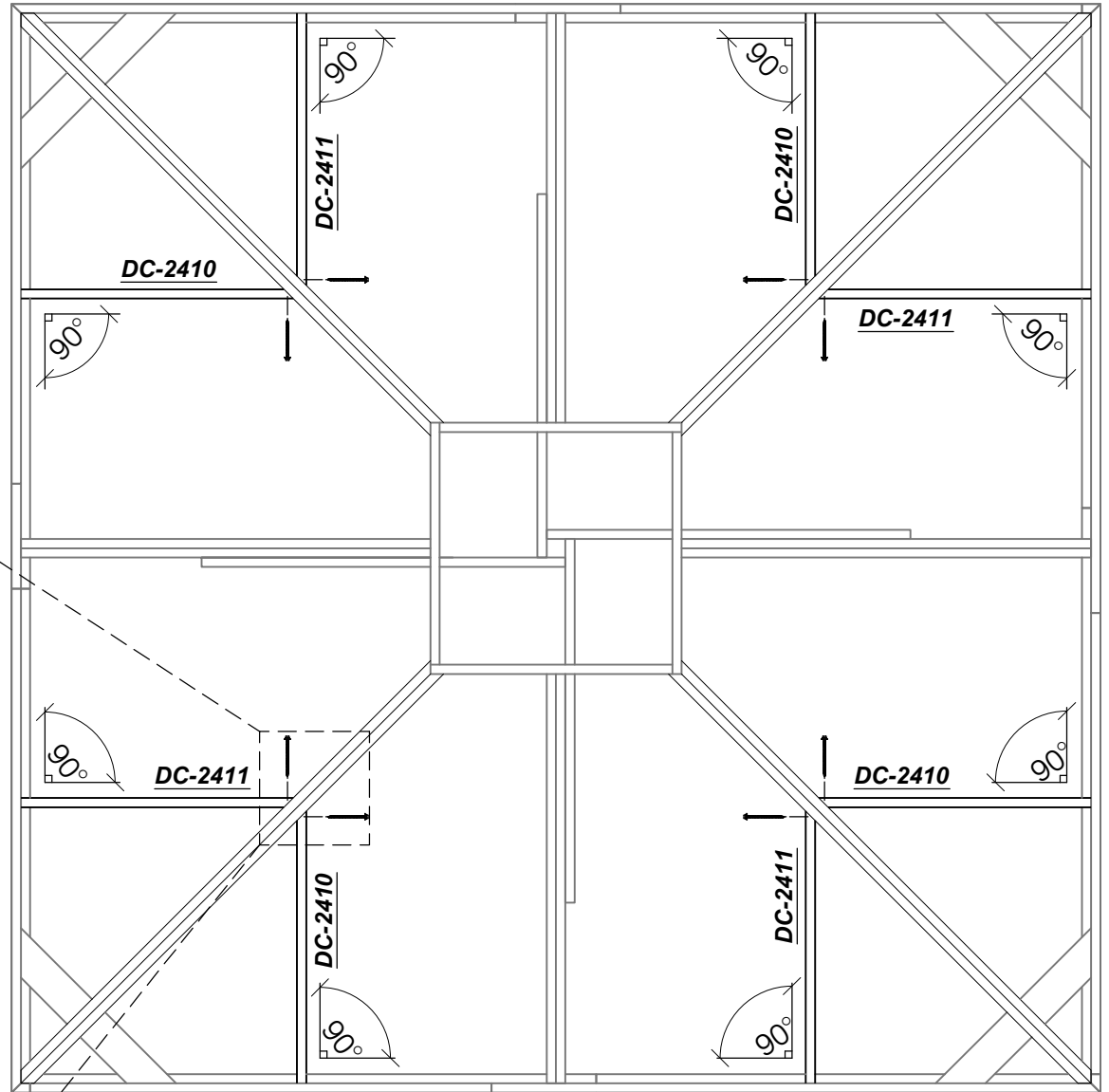
DO NOT SECURE THE RAFTERS TO THE TRUSS FRAME AT THIS TIME.



3" HEX HEAD SCREWS 16 req

ATTACH THE FOUR LEFT (DC 2411) AND FOUR RIGHT (DC 2410) JACK RAFTERS TO THE HIP RAFTERS AS SHOWN.

PLACE THE JACK RAFTERS SO THEY LINE UP WITH THE HIP RAFTER, AS SHOWN IN DETAIL VIEW.



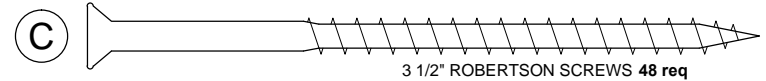
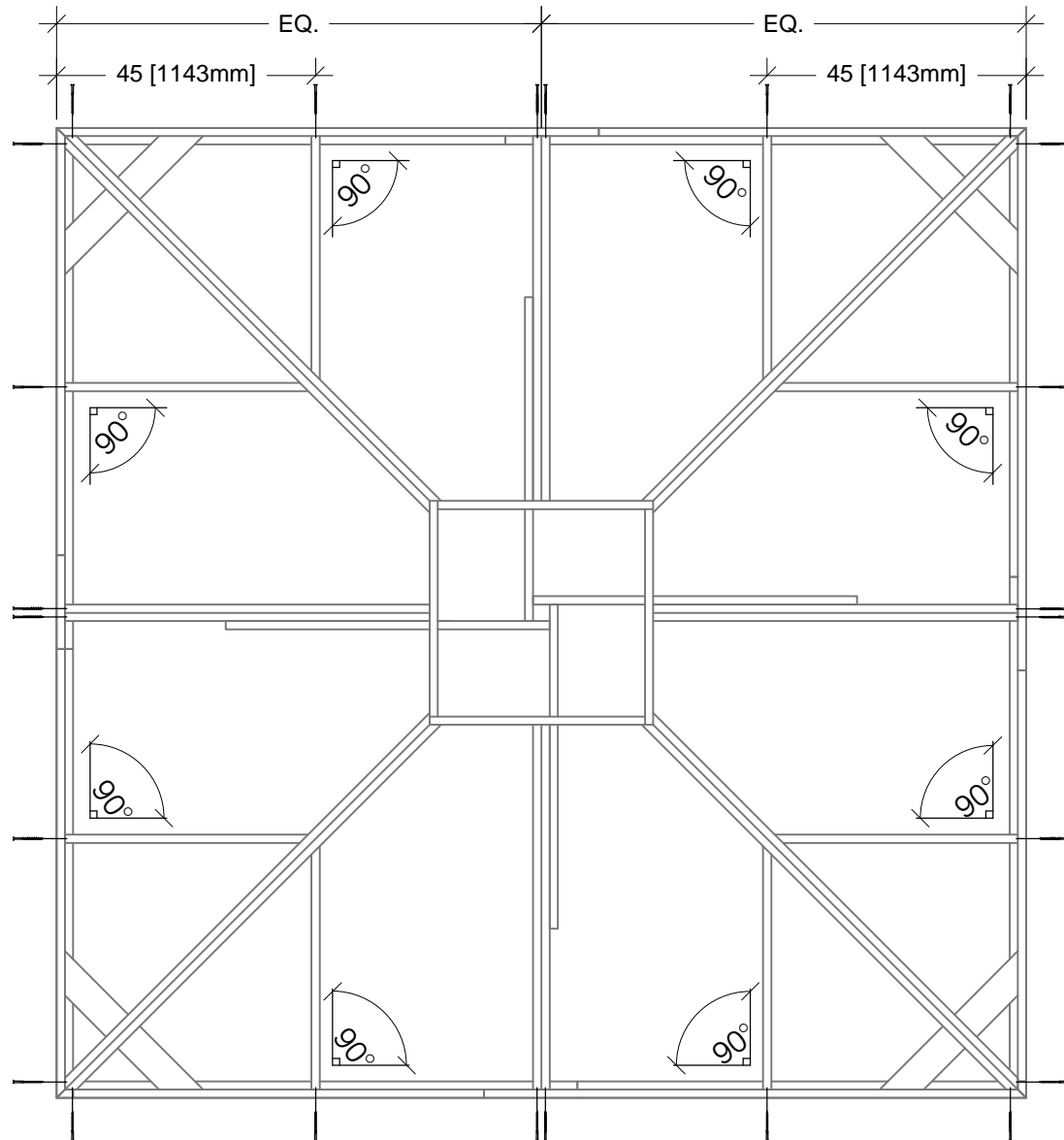
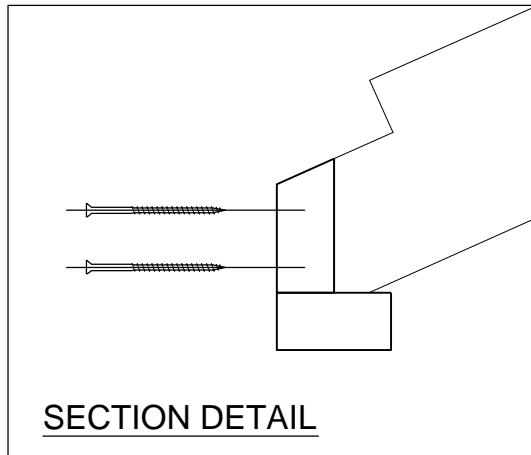
3" HEX HEAD SCREWS 16 req

ATTACH ALL THE RAFTERS TO THE TRUSS FRAME FROM THE OUTSIDE OF THE GAZEBO. AS SHOWN IN SECTION DETAIL.

BEFORE YOU ATTACH THE COMMON RAFTERS MAKE SURE THAT THE RAFTERS ARE POSITIONED IN THE CORRECT PLACE AS SHOWN. THE COMMON RAFTERS SHOULD BE CENTRED FROM THE CORNER ON THE SIDES.

THE LEFT AND RIGHT JACK RAFTERS SHOULD BE 45" FROM THE CORNER.

ALL MEASUREMENTS ARE TO THE CENTRE OF THE RAFTER.





OPTIONAL BAY KIT

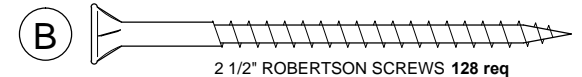
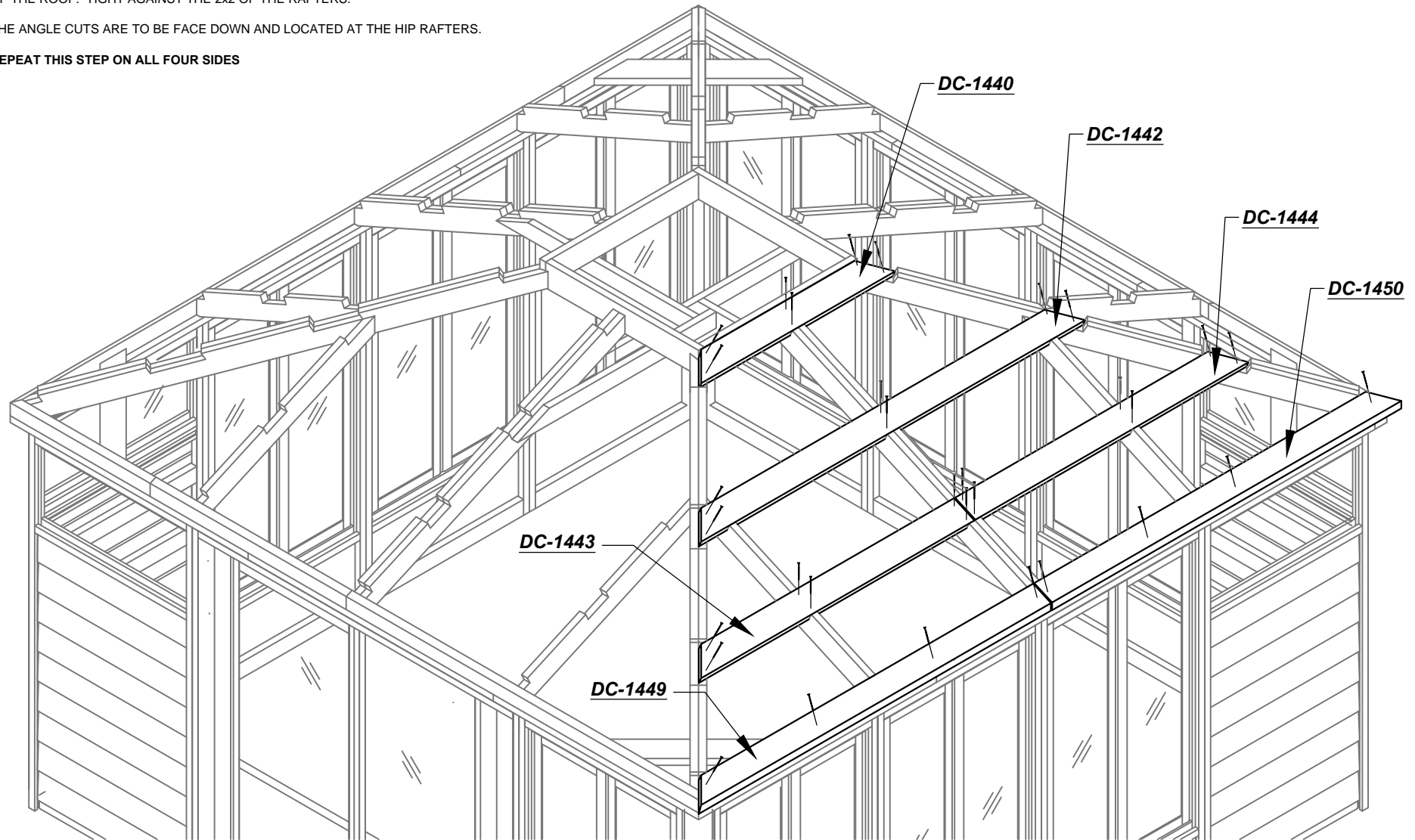
IF YOU HAVE PURCHASED AN OPTIONAL BAY WALL KIT FOR YOUR OUTDOOR STRUCTURE, PLEASE MOVE ON TO STEP THREE OF THE INSTRUCTIONS PROVIDED WITH THE BAY KIT AT THIS TIME.

FASTEN THE SHORT ROOF STRAPPING (DC 1440), TO THE RAFTERS AND TIGHT TO THE SKYLIGHT FRAME.

FASTEN THE MID STRAPPING PIECES (DC 1442, 1443 & DC 1444) TO THE RAFTERS. PLACE THE BOTTOM TWO STRAPPING PIECES (DC-1449 & DC-1450) AT THE BOTTOM OF THE ROOF. TIGHT AGAINST THE 2x2 OF THE RAFTERS.

THE ANGLE CUTS ARE TO BE FACE DOWN AND LOCATED AT THE HIP RAFTERS.

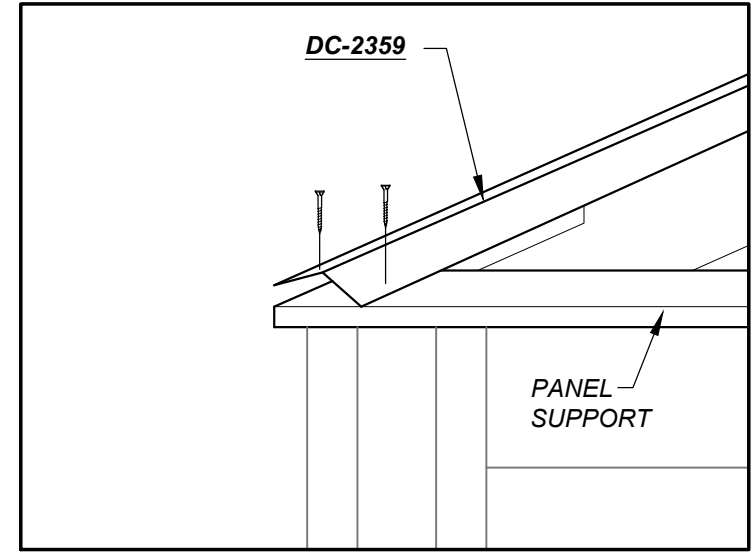
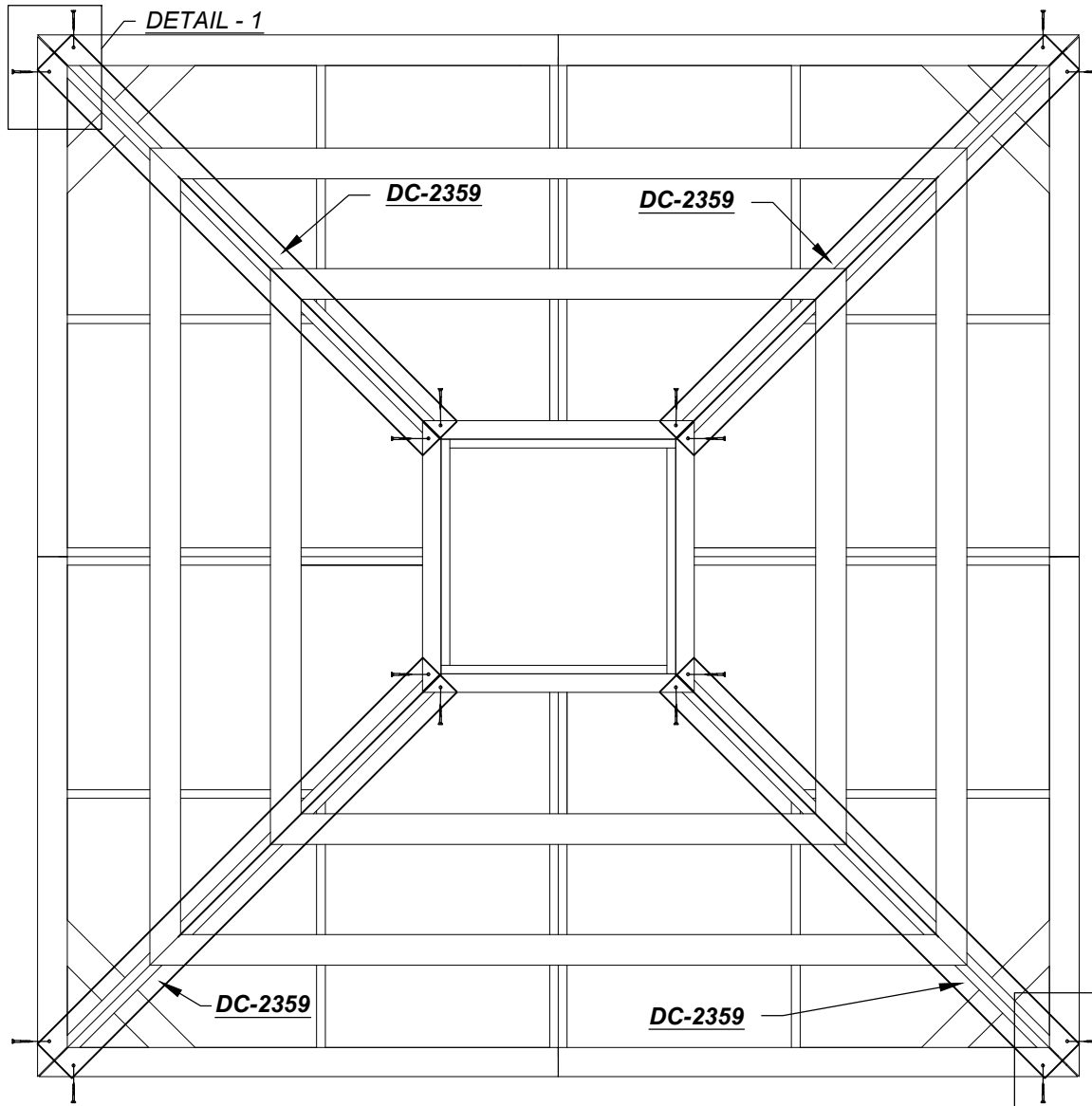
REPEAT THIS STEP ON ALL FOUR SIDES



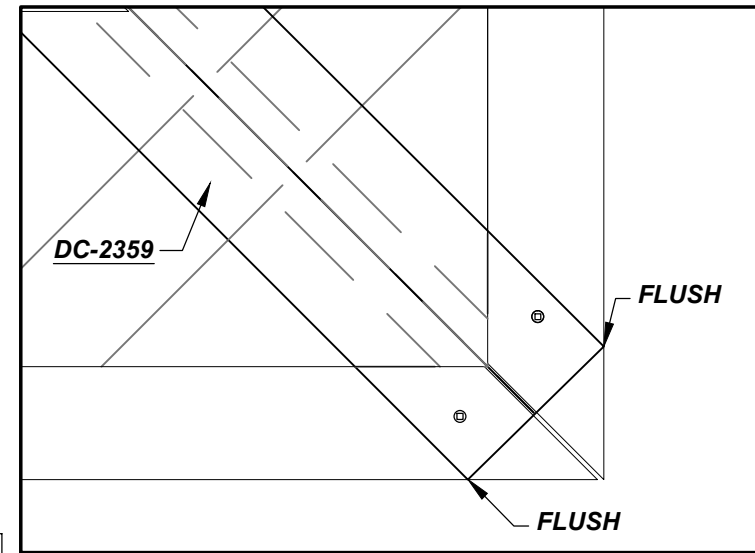
FASTEN THE HIP COVERS (DC 2359) TO THE STRAPPING AND PANEL SUPPORTS.

ALIGN THE HIP COVER SO IT IS CENTRED ON THE RAFTER AND THE BOTTOM JUST TOUCHES THE OUTSIDE OF THE PANEL SUPPORT, AS SHOWN.

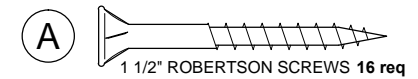
FASTEN THROUGH THE HIP CAP COVER INTO THE PANEL SUPPORTS AND TOP STRAPPINGS



DETAIL - 1

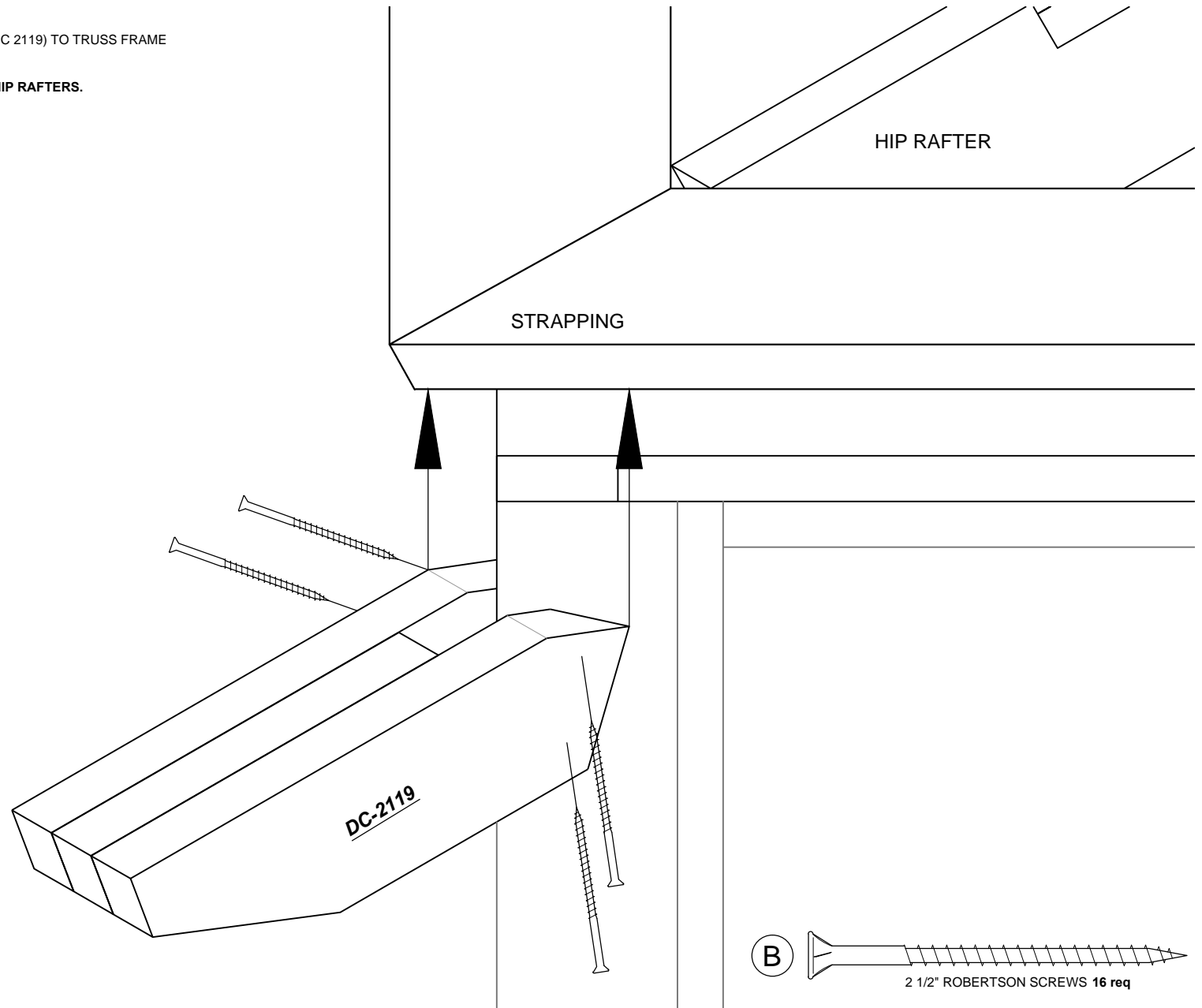


DETAIL - 2

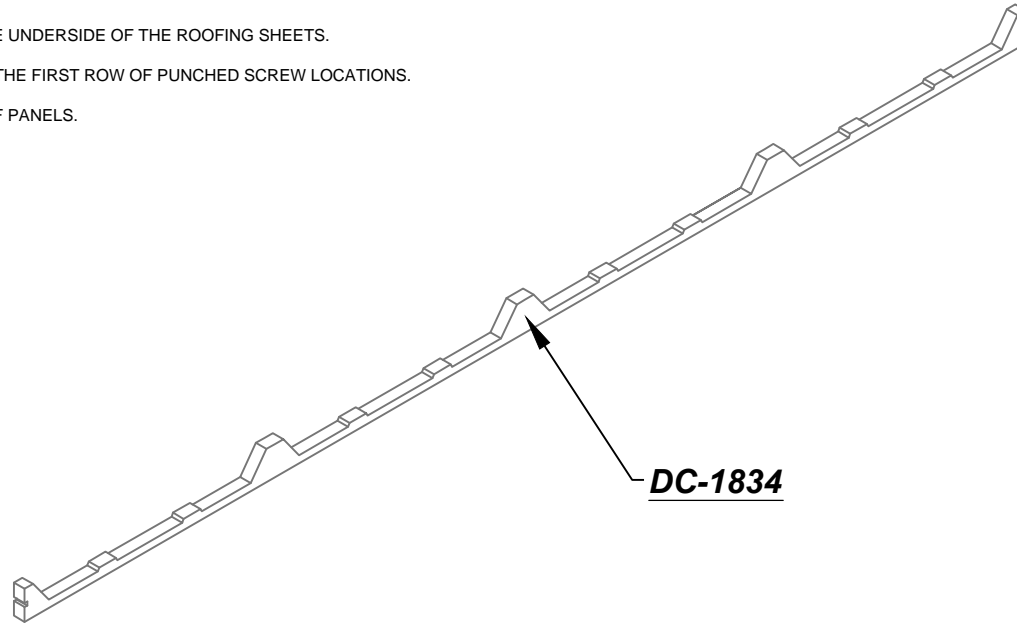


FASTEN HIP RAFTER EXTENSION (DC 2119) TO TRUSS FRAME ASSEMBLY.

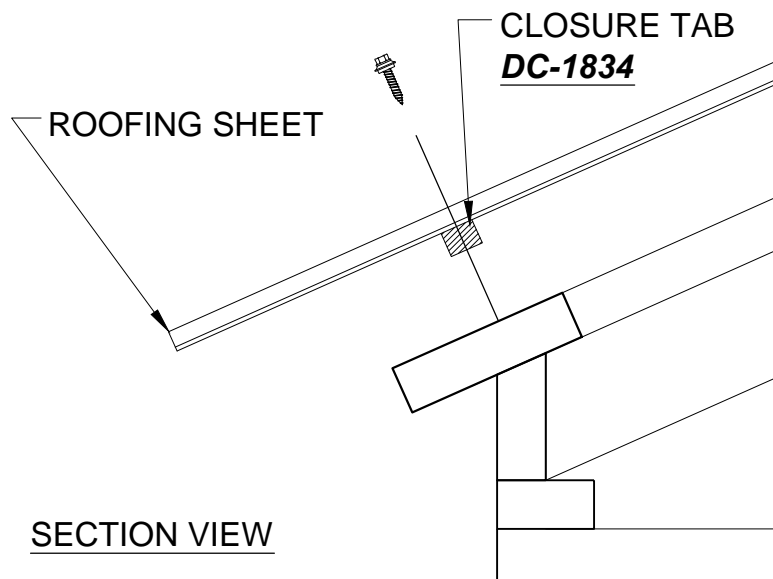
REPEAT THIS STEP ON ALL FOUR HIP RAFTERS.



ATTACH CLOSURE TABS (DC 1834) TO THE UNDERSIDE OF THE ROOFING SHEETS.
CLOSURE TABS ARE TO BE IN-LINE WITH THE FIRST ROW OF PUNCHED SCREW LOCATIONS.
TRIM CLOSURE TABS FOR NARROW ROOF PANELS.



DC-1834

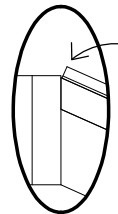
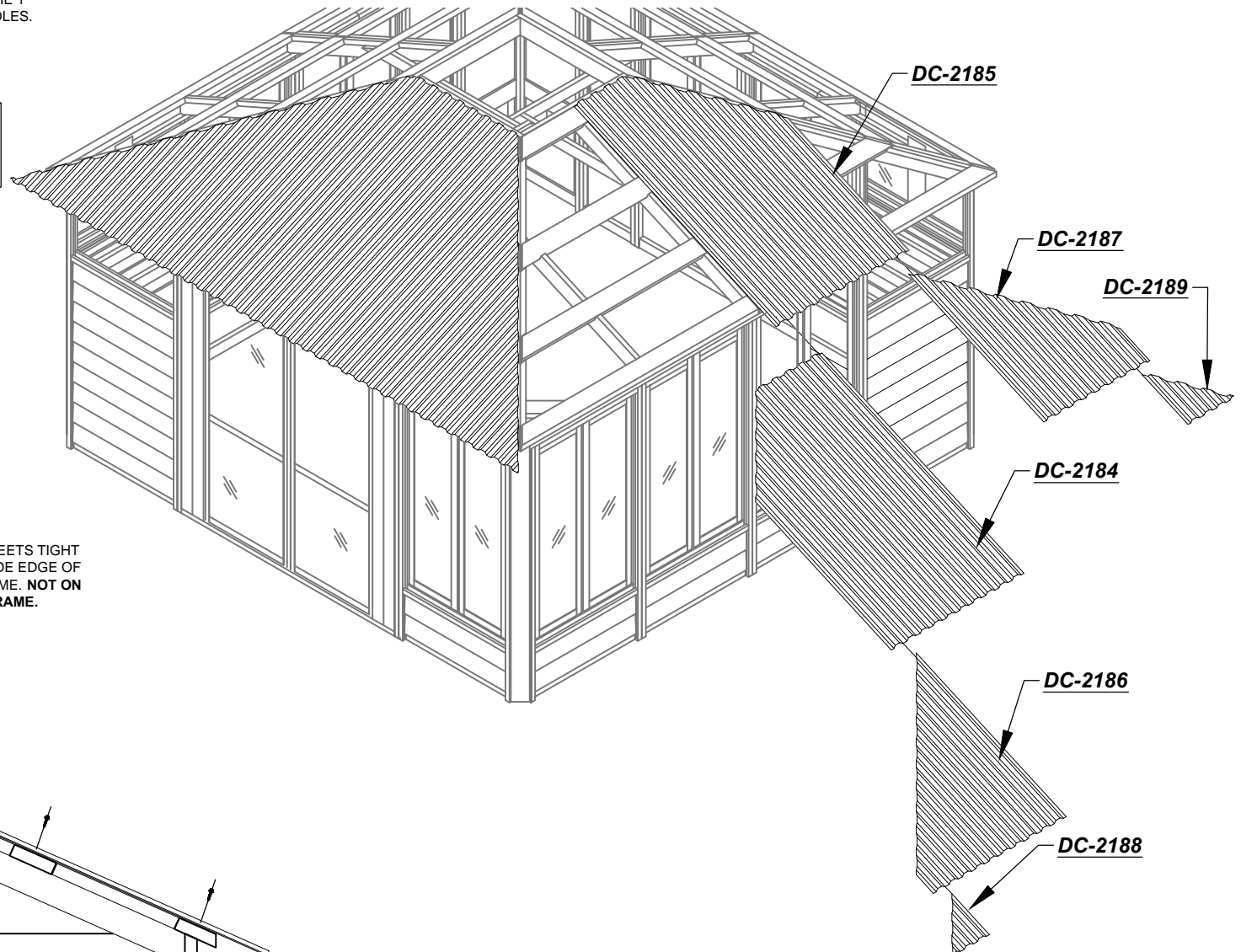


SECTION VIEW

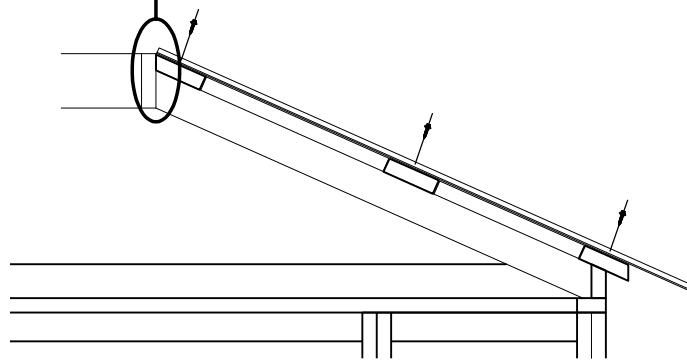
FASTEN THE ROOFING SHEETS (DC 2184, 2185, 2186, 2187, 2188 & 2189) TO THE ROOF STRUCTURE USING THE 1" ROOF SCREWS THROUGH THE PRE-PUNCHED HOLES.

REPEAT THIS STEP ON ALL FOUR SIDES

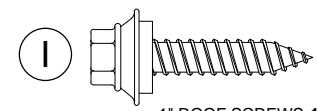
DO NOT OVERTIGHTEN SCREWS



PLACE THE SHEETS TIGHT TO THE OUTSIDE EDGE OF SKYLIGHT FRAME. NOT ON TOP OF THE FRAME.

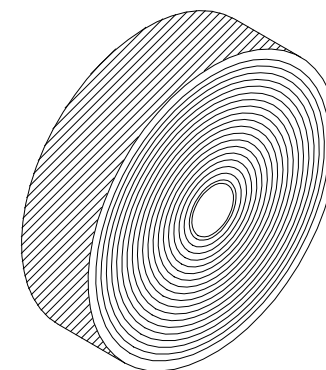
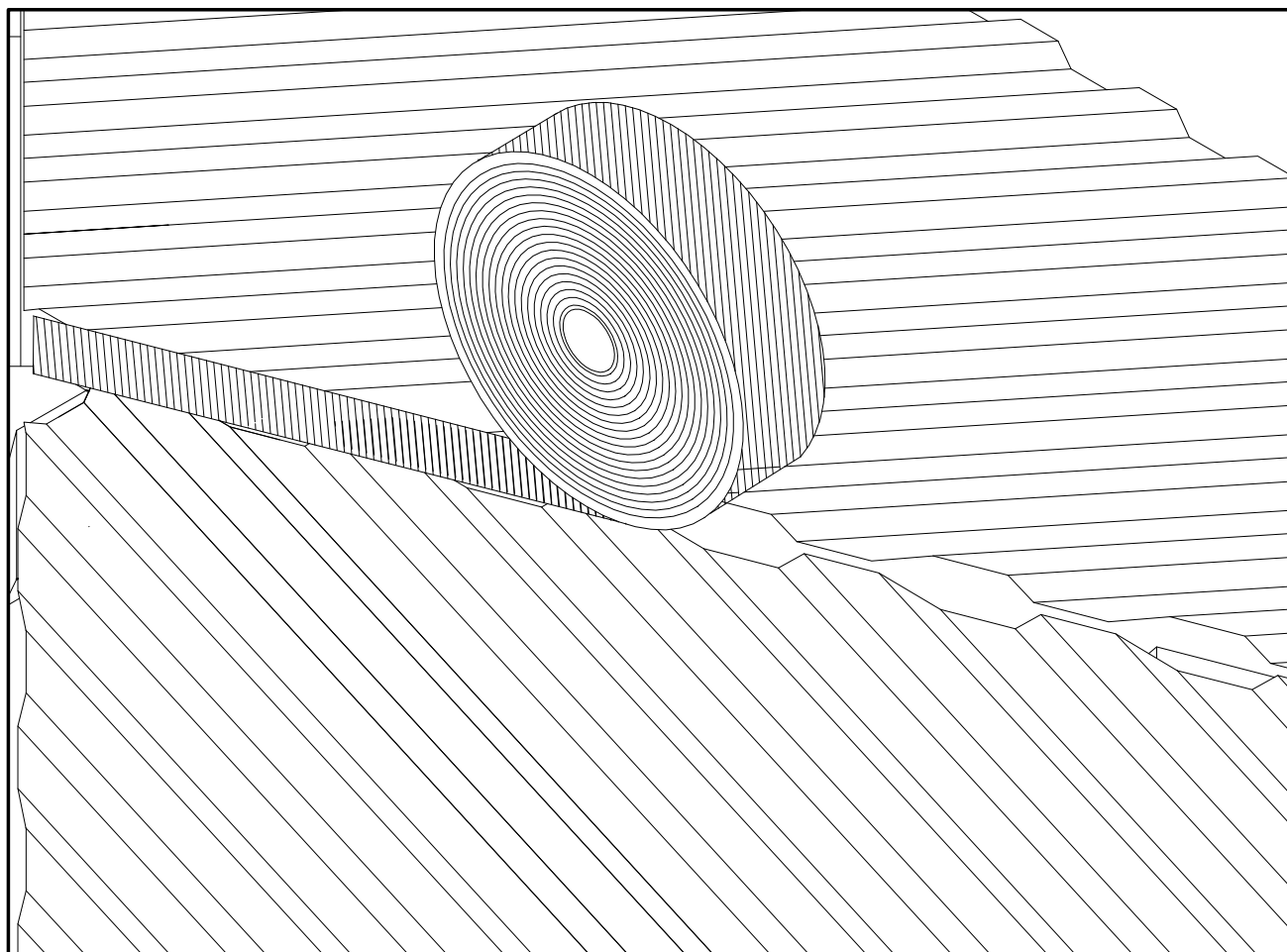


SECTION VIEW



1" ROOF SCREWS 196 req

CAREFULLY PEEL THE BACKER AND PLACE THE SEALING TAPE (DC 2033) ON TOP OF THE ROOFING SHEET.




SEALING TAPE
DC-2033

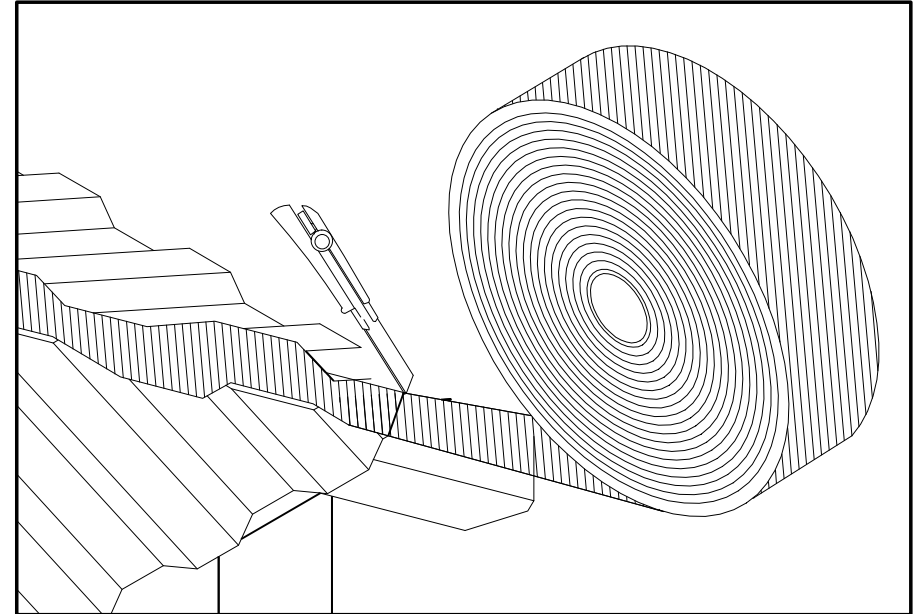
CAREFULLY PEEL BACKER AND PLACE THE SEALING TAPE (DC - 2033) OVER TOP OF THE JOINT BETWEEN THE ROOFING SHEETS.

APPLY PRESSURE TO ADHERE THE TAPE TO THE CONTOUR OF THE ROOFING SHEETS

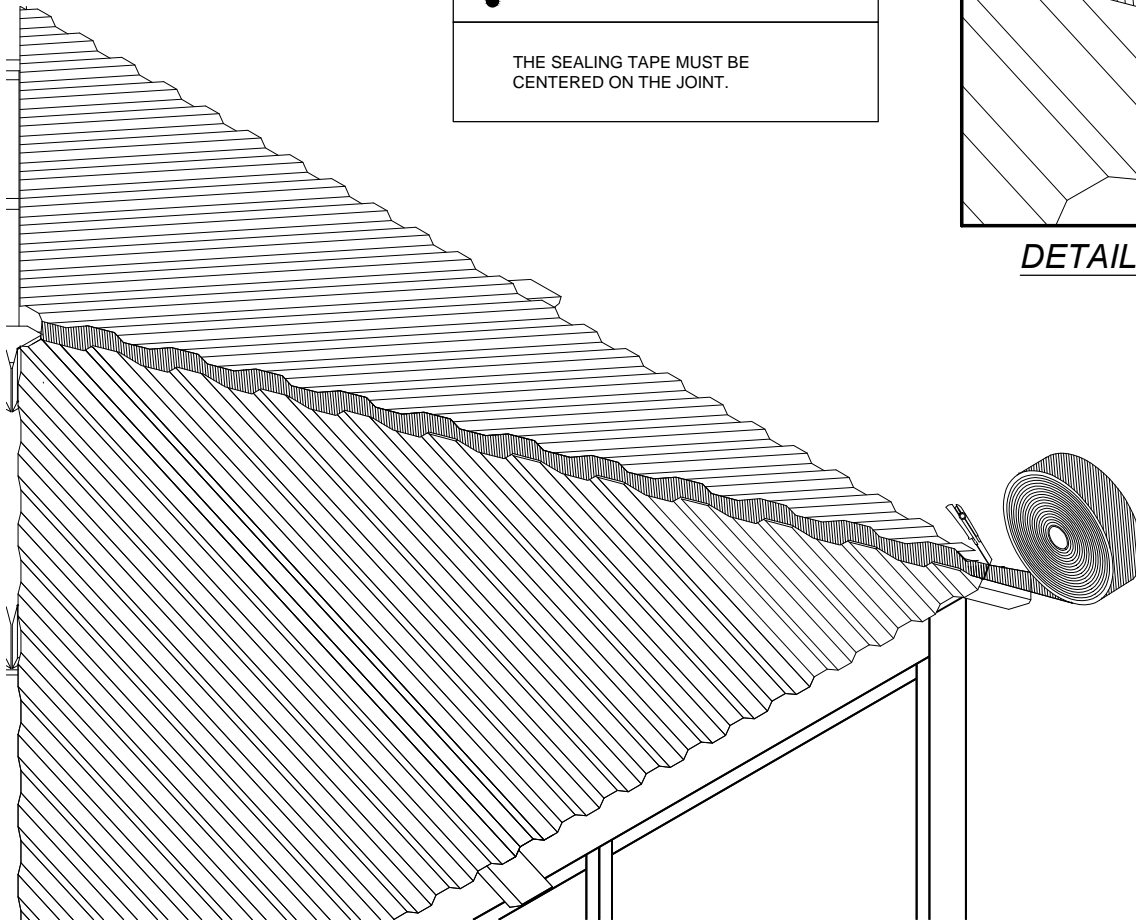
ONCE ADHERED FULLY, TRIM AT EDGE OF THE ROOFING SHEET AS SHOWN IN DETAIL 1

REPEAT THIS ON ALL FOUR SIDES

	CENTRE ON JOINT.
THE SEALING TAPE MUST BE CENTERED ON THE JOINT.	



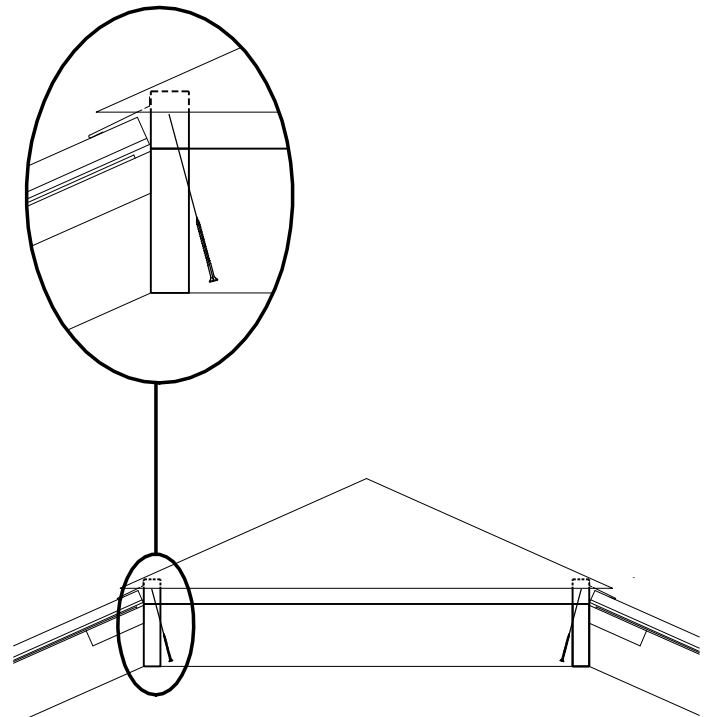
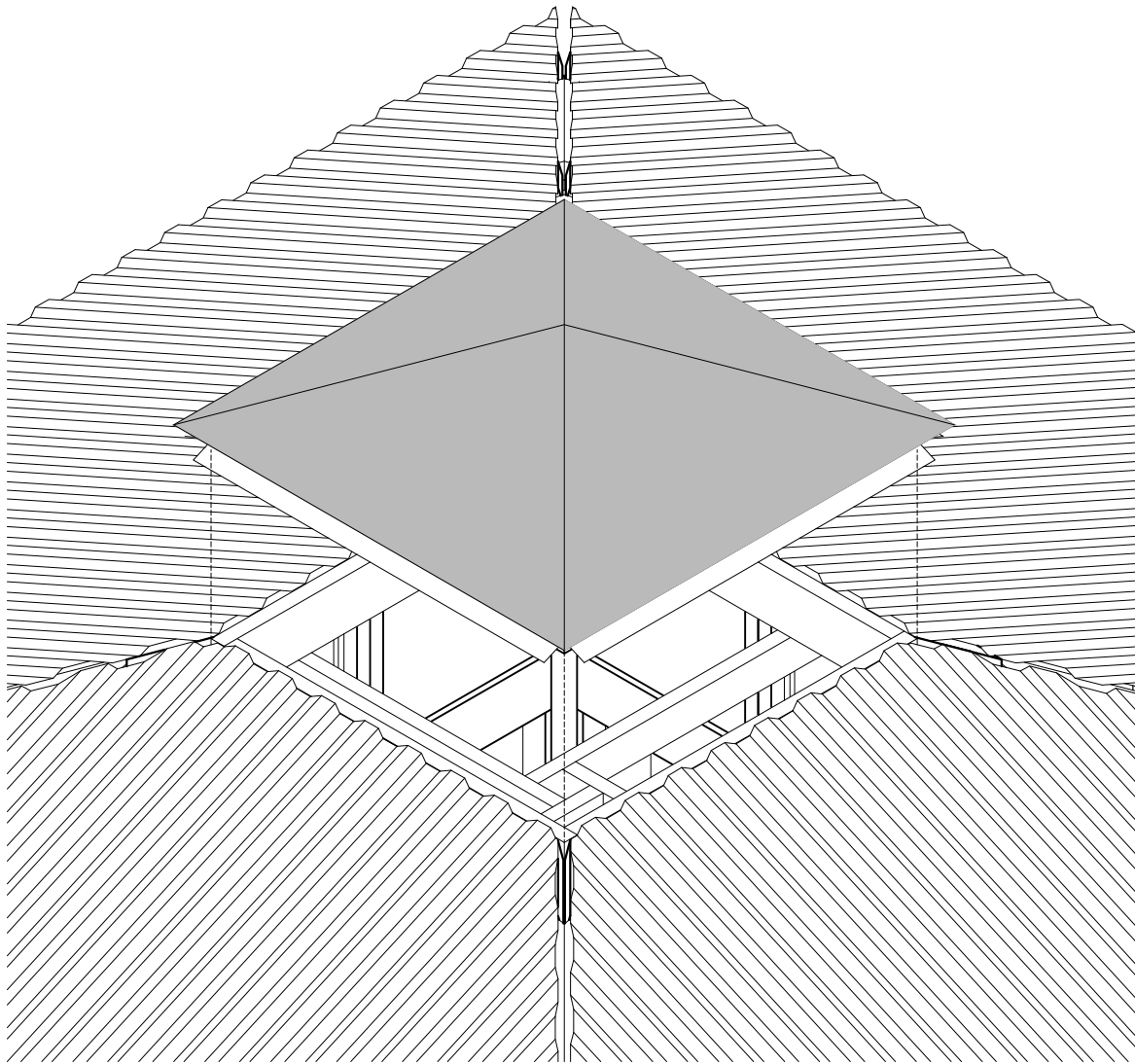
DETAIL 1



PLACE THE PEAK CAP ASSEMBLY (DC 2278) INTO POSITION ON TOP OF THE FRAME.

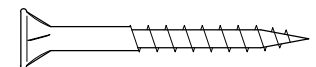
FASTEN THE PEAK CAP ASSEMBLY TO THE FRAME FROM THE INSIDE.

USE THREE SCREWS ON-ANGLE PER SIDE.



SECTION VIEW

(A)



1 1/2" ROBERTSON SCREWS 12 req

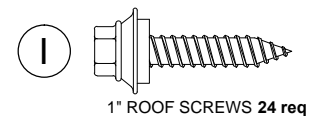
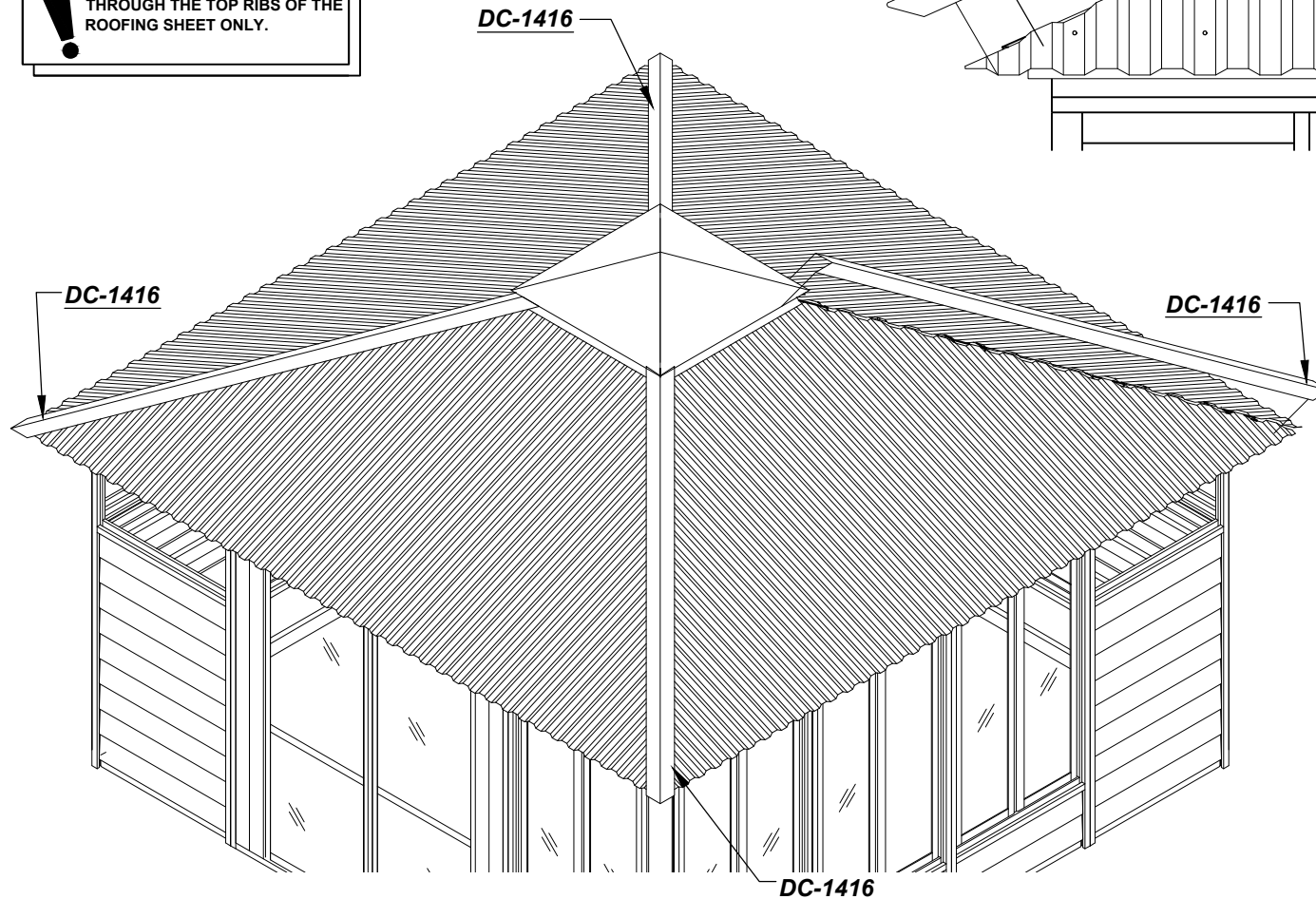
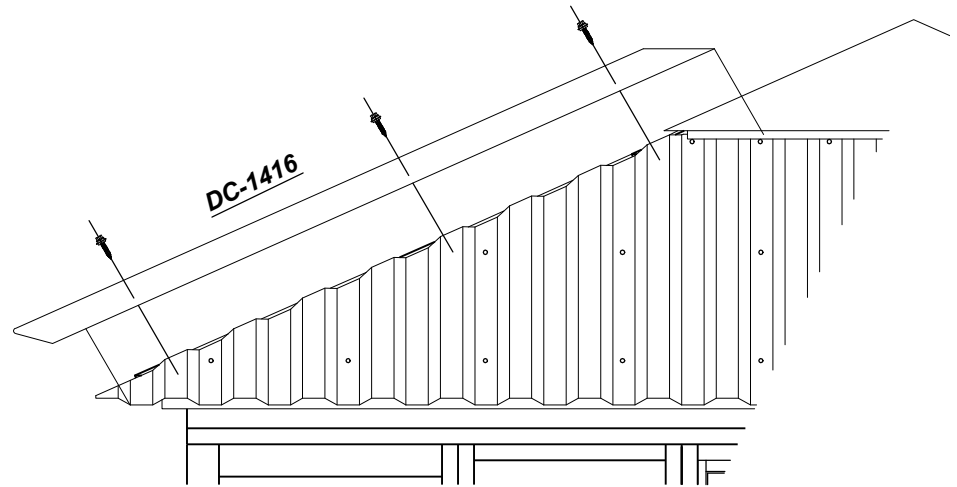
PLACE THE METAL HIP CAPS (DC 1416) ON EACH CORNER OF THE ROOF AS SHOWN.

PLACE EACH CAP SO THAT THE TOP OF THE CAP FITS TIGHT INTO THE CORNER OF THE SKYLIGHT FRAME UNDER THE SKYLIGHT FLASHING. MAKE SURE THAT THE CAP IS SITTING CENTRED ON THE HIP, THEN ATTACH IT THROUGH THE ROOFING SHEET AND INTO THE STRAPPING.

SCREWS MUST BE FASTENED THROUGH THE TOP RIBS OF THE ROOFING SHEET ONLY.

DO NOT OVER TIGHTEN, OR THE HIP CAPS MAY BE DAMAGED.

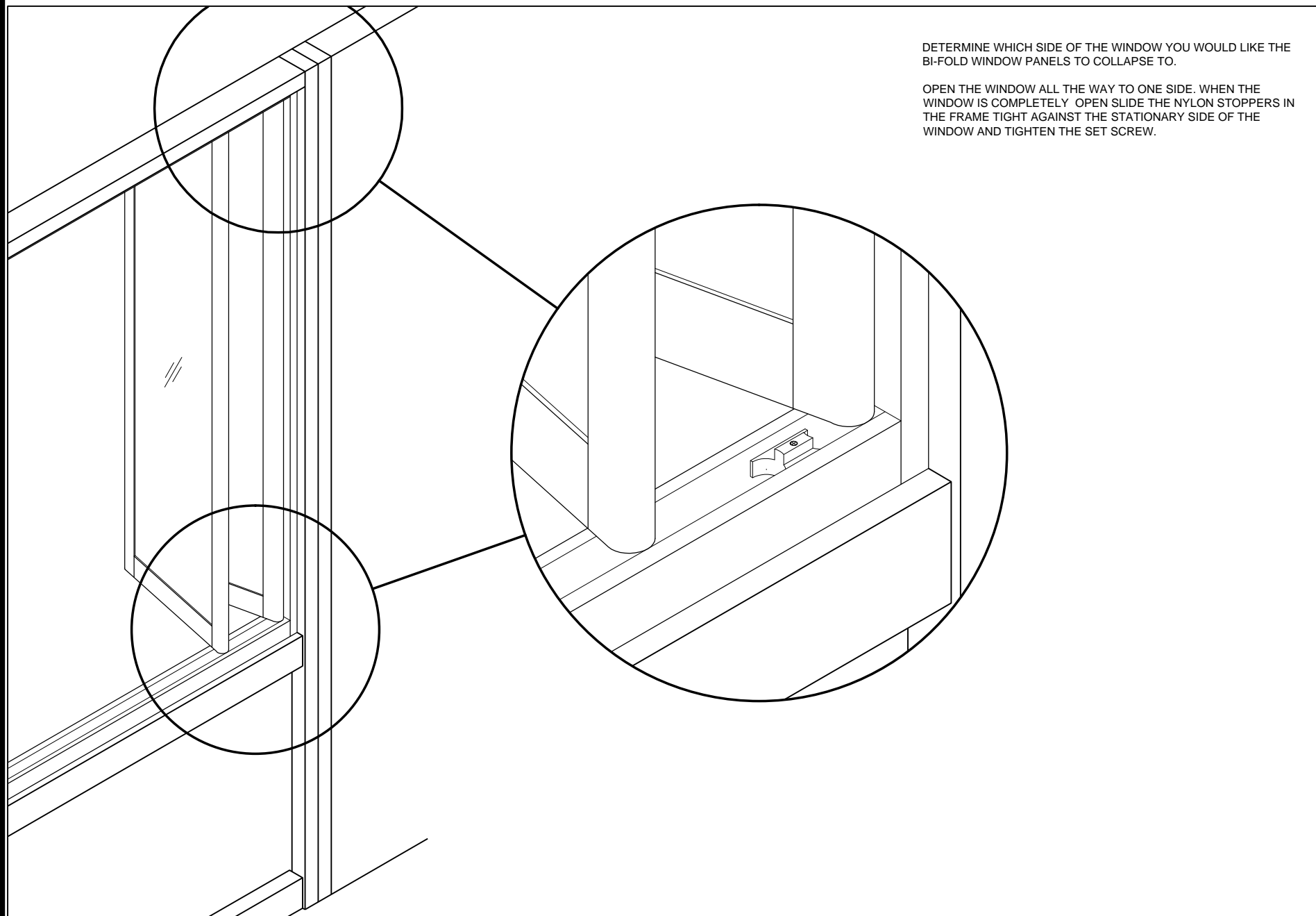
! SCREWS MUST BE FASTENED THROUGH THE TOP RIBS OF THE ROOFING SHEET ONLY.





OPTIONAL BAY KIT

IF YOU HAVE PURCHASED AN OPTIONAL BAY WALL KIT FOR YOUR OUTDOOR STRUCTURE, PLEASE MOVE ON TO STEP THREE AND FOUR OF THE INSTRUCTIONS PROVIDED WITH THE BAY KIT AT THIS TIME.



DETERMINE WHICH SIDE OF THE WINDOW YOU WOULD LIKE THE BI-FOLD WINDOW PANELS TO COLLAPSE TO.

OPEN THE WINDOW ALL THE WAY TO ONE SIDE. WHEN THE WINDOW IS COMPLETELY OPEN SLIDE THE NYLON STOPPERS IN THE FRAME TIGHT AGAINST THE STATIONARY SIDE OF THE WINDOW AND TIGHTEN THE SET SCREW.

