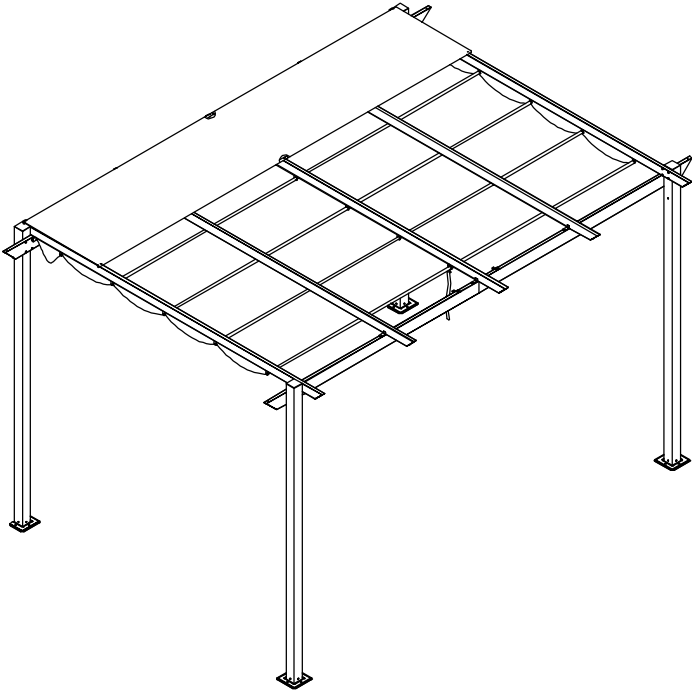


# User Guide



## Fiesta

9'-25" x 13'-0" Pergola

Model: LGMD1211



[www.clubpiscine.ca](http://www.clubpiscine.ca)

## Table of Contents

Regulations	2	Care and Cleaning	3
Safety Information	2	Pre-assembly	-
Maintenance	2	-Planning installation	4
Warranty	-	-Tools required	4
-What is covered	3	-Hardware package	4
-What is not covered	3	-Parts List	5
Operation	3	Assembly Instructions	6-14

## Regulations

**IMPORTANT: A pergola may entail to purchase a municipal permit or be subject to specific building codes. It is the consumer's responsibility to inform themselves of any restrictions.**

## Safety Information

**It is important to read and follow all safety information prior to assembly of the unit as well as during usage to reduce risk of injury and avoid damage to the product and its surroundings.**

**It is highly recommended to avoid settling your pergola in a heavy wind corridor.**

- 1: You must schedule enough time to complete the assembly of the unit which will take approximately 3-4 hours to set up. For safety issues, you must not leave the unit unattended if it is not completed, even if it is already anchored to the ground.
- 2: A minimum of 2 people are required to assemble the gazebo .
- 3: The unit must be assembled on a level platform (wood deck, stone tile or concrete) and must be anchored using appropriate screws for that flooring.
- 4: To avoid damages the assembly of the unit should be constructed no less than 5 feet from any fixed obstruction.
- 5: Do not use the structure as a support; use a stepladder when needed.
- 6: Some assembly parts contain sharp edges; you should wear protective gloves when handling these items.

**WARNING: KEEP ALL FLAME AND HEAT SOURCES AWAY FROM CURTAINS.**

The fabric meets the flammability requirements of CPAI-84, however, it may burn if left exposed to any continuous flame source. Also, any application of a foreign substance to the fabric may render the flame-resistant properties ineffective.

**If any of these above-mentioned instructions is not followed the warranty will be voided.**

## Maintenance

In case of defective parts or if a problem occurs while using the product, contact your retailer for assistance.

\*To order replacement parts that are past the warranty date you will have to refer to the model # of this unit and the part # in the Parts List.

## Warranty

NOTICE: The purchaser of this product has 30 days from date of purchase or delivery to verify their merchandise. Shipping fees are included for any missing parts or parts showing manufacturer defects. **Damaged parts will not be under warranty after the 30-day period and all claims will be the responsibility of the purchaser.**

*DO NOT ASSEMBLE YOUR PERGOLA IF PARTS ARE DAMAGED. Contact your retailer or Club Piscine Super Fitness immediately.*

Proof of purchase is necessary at all times. This warranty is not transferable.

IMPORTANT: This product is not a permanent structure. **The pergola's structure can be left out during all seasons however the roof canopy and cover must be removed and stored in a warm and dry place during Winter.** This warranty is based on normal use of the product.

This product is guaranteed against defective materials from the factory;

- Three (3) years on the frame against rust and discoloration.
- One (1) year on the roof canopy against discoloration.
- Limited warranty applicable on parts only. No warranty on labor.

### **WHAT IS NOT COVERED**

- Damages caused by abuse, misuse of this product or vandalism.
- Damages due to extreme natural weather conditions *such as, and not limited to,* rainstorms, hailstorms, wind storms and snow storms.
- Water infiltration and holes in the roof canopy are not covered.
- Damages due to the product not installed on a level ground and anchored down with appropriate screws.
- Damages caused by hanging or suspending objects heavier than 6.8kg (15lbs.)

***If at any time you require assistance regarding the warranty of your gazebo contact customer service at 1-800-320-2979 or email [service@clubpiscine.ca](mailto:service@clubpiscine.ca)***

## Operation

The pergola must always remain anchored properly to the floor or ground using the appropriate screws to enjoy its safe usage.

The pergola can be left outside year round. **You MUST remove and store the canopy roof in a dry space during winter.**

Check periodically that all screws are fastened tightly before and during usage.

Do not place any type of heat conductor under, or within 5 feet of, the gazebo including, but not limited to, a barbeque grill or space heater.

***If any of these above-mentioned instructions is not followed the warranty will be voided.***

## Care and Cleaning

For cleaning, use a domestic soap or detergent and wash with warm water using a sponge or fabric. Rinse with clean water.

Do not put any canopy fabric in any washing machine or dryer.

Remove the roof canopy and cover during winter and store them in a warm dry area.

**PLANNING INSTALLATION**

Make sure that all the parts are in the box before starting the assembly.

Follow all assembly instructions to assure proper construction.

In order to avoid damage to the shelter and its components, place all parts on a soft surface and use appropriate tools.

During assembly, do not use the structure as a support. Use a stepladder.

You must schedule enough time to complete the assembly. You cannot leave the unit unattended if it is not fully assembled, even if it is already anchored to the ground.

Keep this User Guide and Parts List for future reference.

**TOOLS REQUIRED ( Not included in box )**



**LEVEL**



**PHILLIPS SCREW DRIVER**



**SAFETY GOGGLES**



**SAFETY HAT**



**GLOVES**



**DRILL**



**STEPLADDER**

**HARDWARE PACKAGE INCLUDED**

<b>L</b>		46
Bolt with cap (M6x16)		Qty:


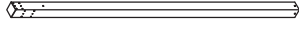














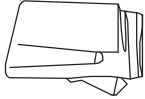








<b>M</b>		9
Bolt with cap (M6x30)		Qty:

<b>N</b>		32
Capped Bolt (M6x15)		Qty:

<b>U</b>		3
Washer		Qty:

<b>R</b>		1 each
Allen Key		Qty:

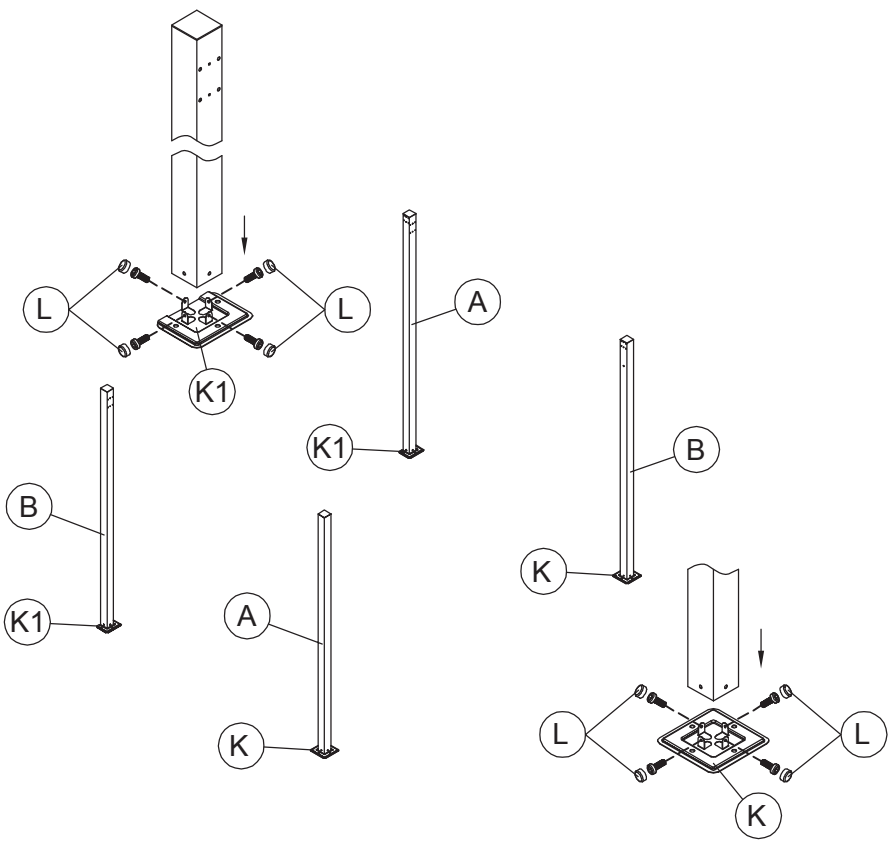
**PARTS LIST**

<b>A</b>		2	<b>B</b>		2
Column		Qty:	Column		Qty:
<b>C</b>		1	<b>C1</b>		1
Crossbeam (Frt)		Qty:	Crossbeam (Frt)		Qty:
<b>D</b>		1	<b>D1</b>		1
Crossbeam (Bck)		Qty:	Crossbeam (Bck)		Qty:
<b>E</b>					1
Joist (Ctr)					Qty:
<b>F</b>					1
Joist (End)					Qty:
<b>F1</b>					1
Joist (End)					Qty:
<b>G</b>					2
Joist					Qty:
<b>H</b>		5	<b>I</b>		5
Canopy Rod		Qty:	Canopy Rod		Qty:
<b>J</b>		3	<b>J1</b>		3
Canopy Rod (End)		Qty:	Canopy Rod (End)		Qty:
<b>K</b>		2	<b>K1</b>		2
Base		Qty:	Base		Qty:
<b>O</b>		1	<b>P</b>		1
Canopy		Qty:	Canopy Cover		Qty:
<b>Q</b>		8	<b>S</b>		2
Camp Nail		Qty:	Clamp		Qty:
<b>T</b>		1	<b>V</b>		3
Pull Strap		Qty:	End Cap		Qty:
<b>WA</b>		1	<b>WB</b>		4
Roller		Qty:	Roller		Qty:
<b>WC</b>		10			
Roller		Qty:			

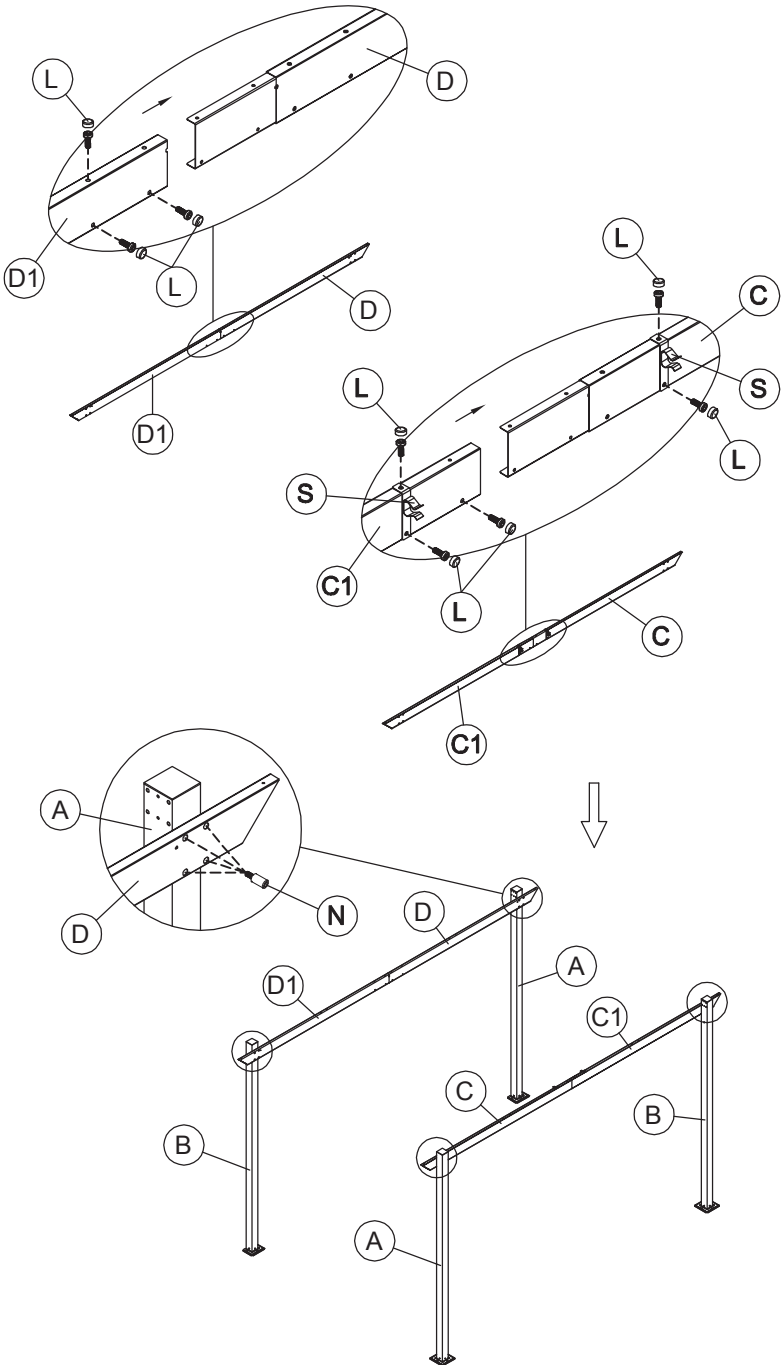
# Assembly

## Step 1: Connecting the Bases

Note that the columns are Left and Right. Bases **K1** are for the columns that will be attached to the wall.

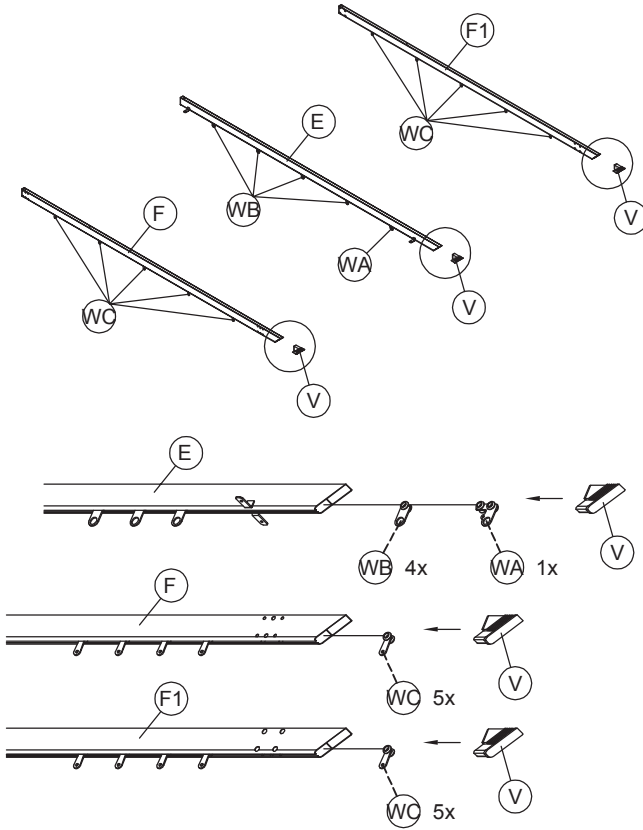


**Step 2: Assembling the Crossbeams**



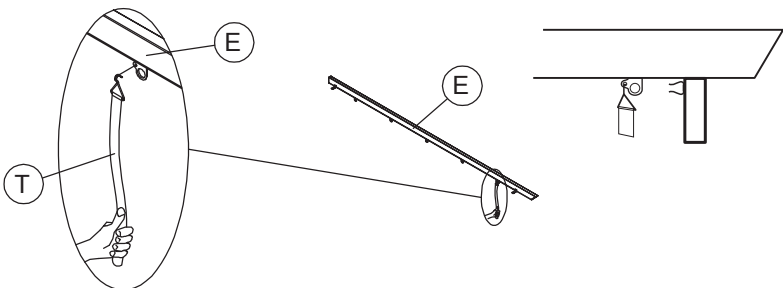
## Assembly

### STEP 3: Assembling the Joists



## Assembly

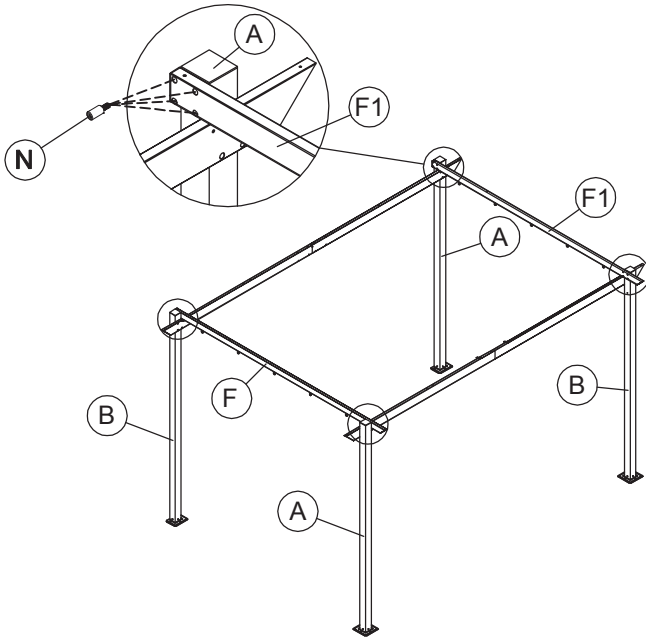
### STEP 3a: Connecting the Pull Strap





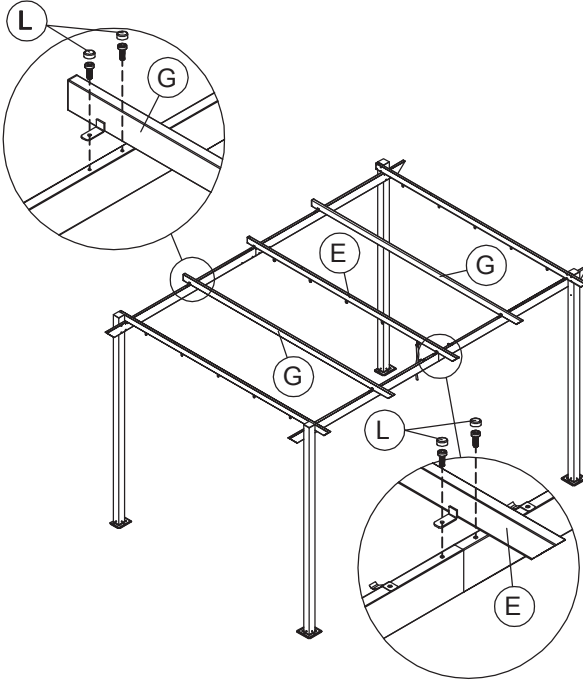
## Assembly

### Step 4: Connecting the End Joists



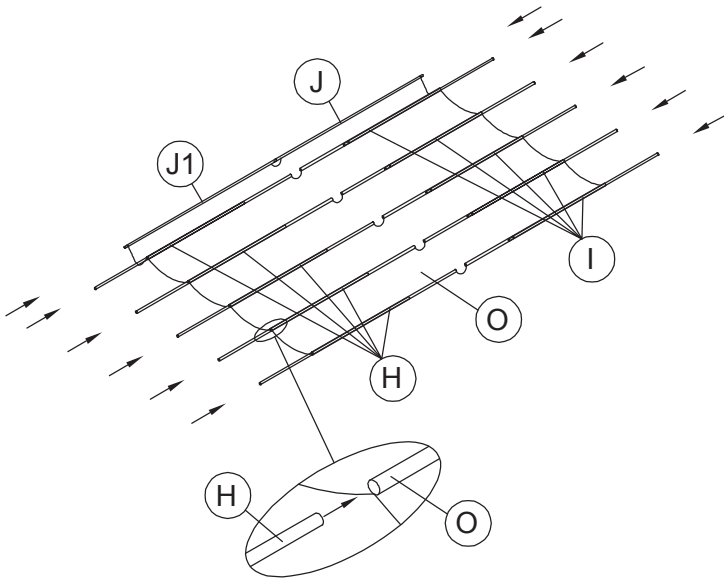
## Assembly

### STEP 5: Connecting the Joists



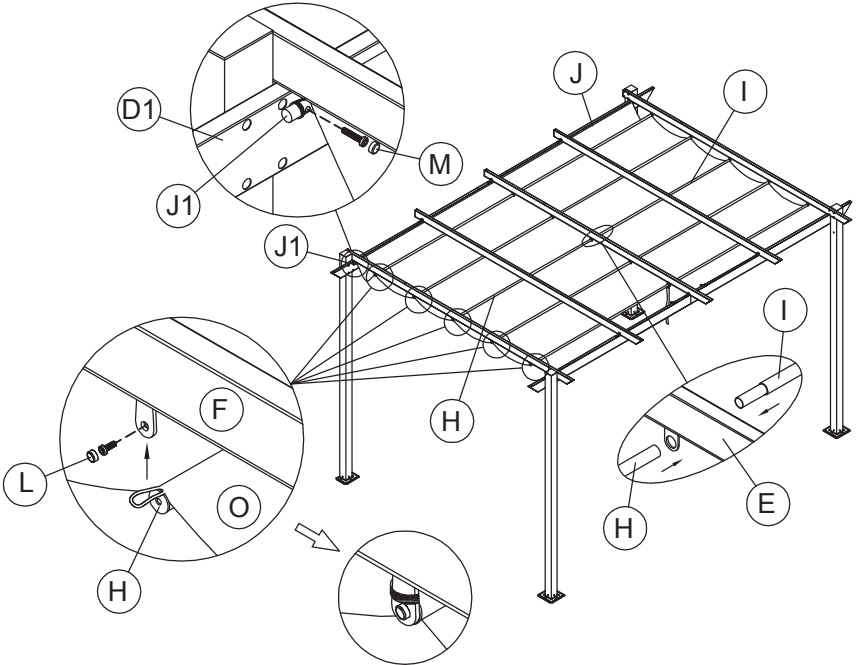
## Assembly

### STEP 6: Assembling the Canopy



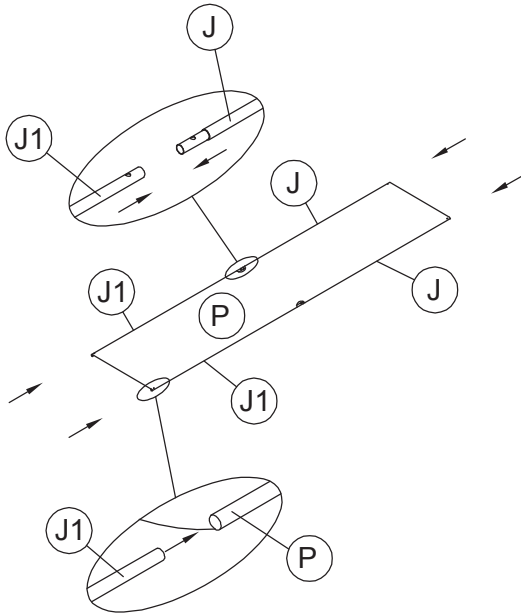
## Assembly

### Step 7: Connecting the Canopy to the structure



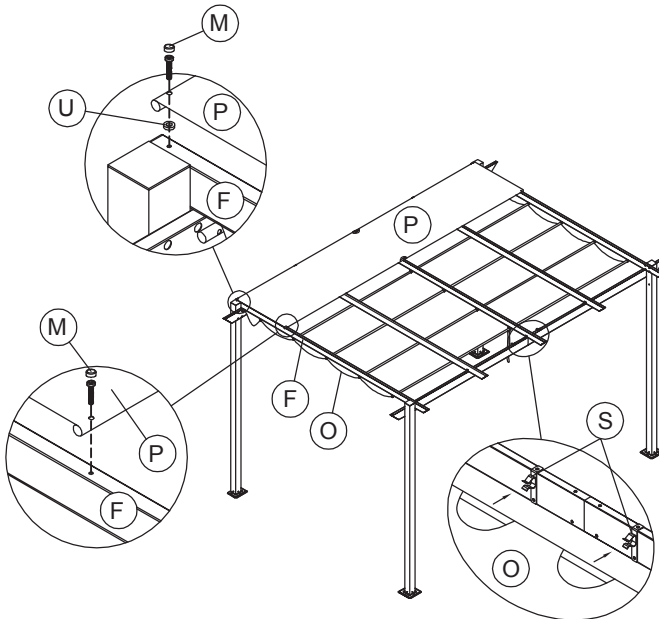
## Assembly

### STEP 8: Assembling the Canopy Cover



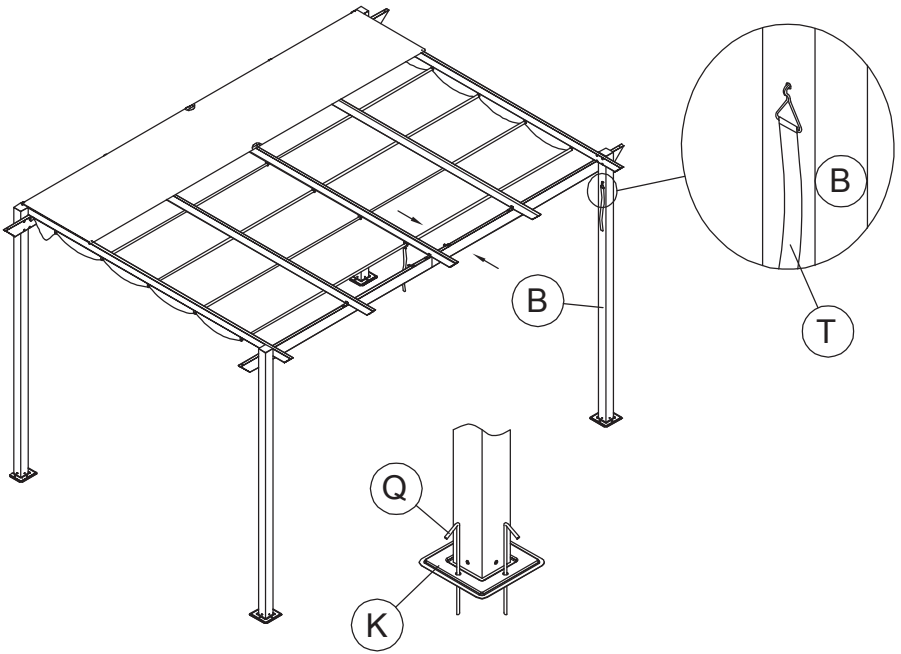
## Assembly

### STEP 9: Connecting the Canopy Cover



**STEP 10: Anchoring the Pergola**

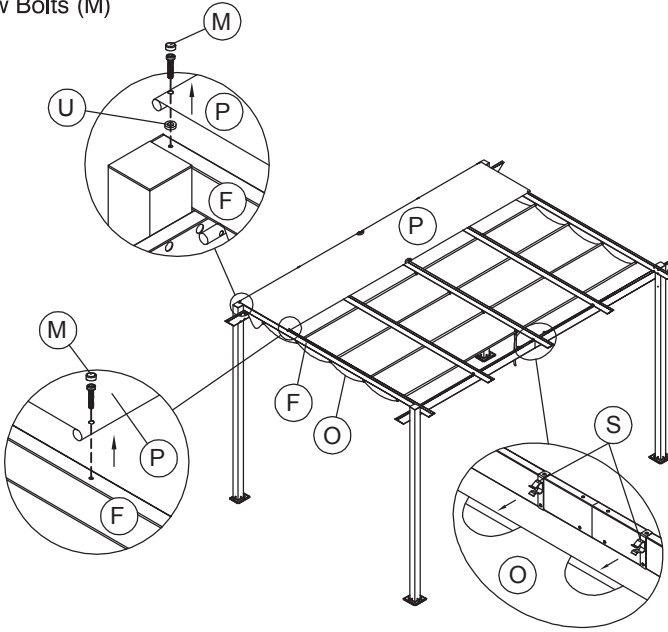
Camp Nails provided are temporary and CANNOT be used for permanent anchoring. The unit must be anchored to either wood, stone tiles or concrete using appropriate screws for that flooring, or anchored into the earth or grass with proper camp nails or anchors. Failure to do so may nullify the Warranty.



## REMOVAL OF CANOPY PROCEDURE

### STEP 1: Remove the Canopy Cover

Unscrew Bolts (M)

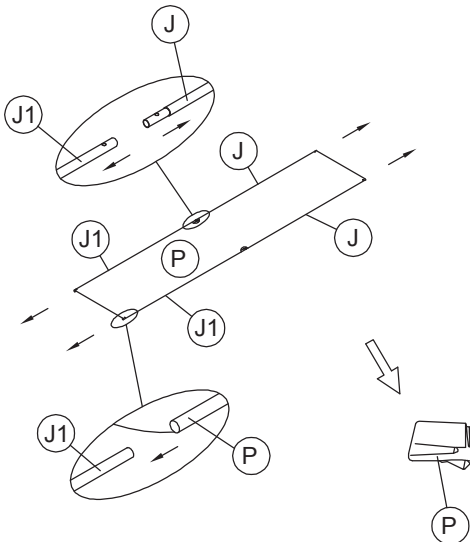


## REMOVAL OF CANOPY PROCEDURE

### STEP 2: Dismantle the Canopy Cover

Take apart Rods (J and J1)

Fold Canopy Cover (P) and store in a dry place

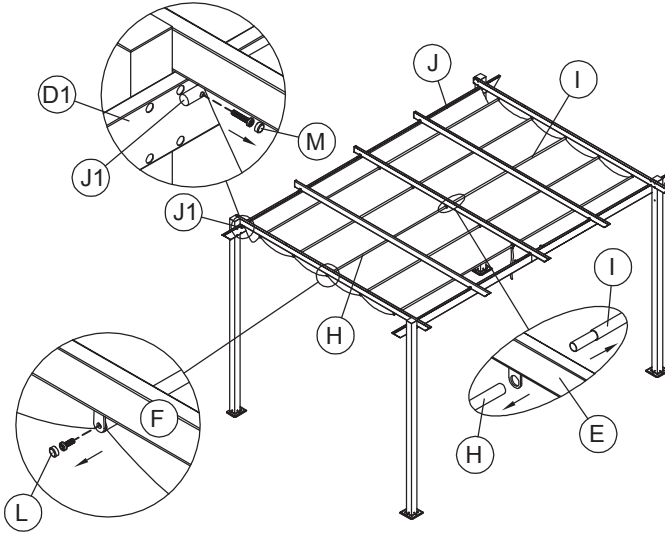


## REMOVAL OF CANOPY PROCEDURE

### STEP 3: Remove the Canopy

Remove Bolts (M) from Crossbeam (D1)

Unscrew Bolts (L) from Rods (H, I, J and J1)

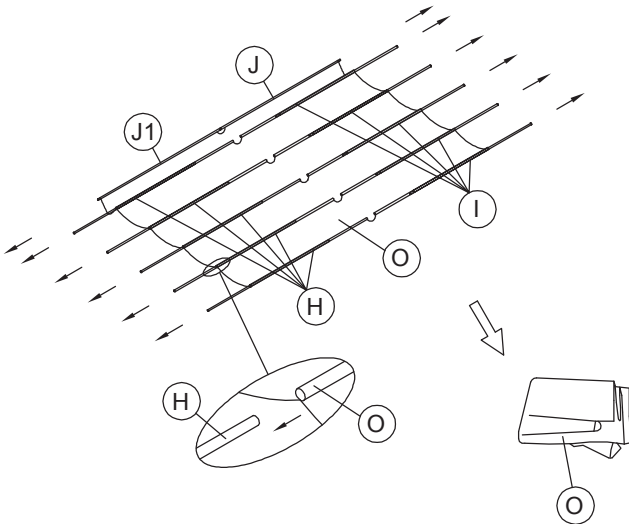


## REMOVAL OF CANOPY PROCEDURE

### STEP 4: Dismantle the Canopy

Take apart Rods (H, I, J and J1)

Fold Canopy (O) and store in a dry place







REV21

*[www.clubpiscine.ca](http://www.clubpiscine.ca)*