



EMERGE™ COLD PLUNGE

Congratulations on your decision to enjoy the finest cold plunge available.

Welcome to the growing family of Caldera cold plunge owners.

Pre-Delivery Instructions

Please take the time to read this booklet carefully, as it will provide you with the information you will need to ensure the safe, secure, and timely installation of your new cold plunge. The following sections are guidelines on how to prepare for delivery and set-up of your new cold plunge. Specifically covered are site selection, delivery access, ground preparation, and electrical requirements.

Remember to carefully read the Owner's Manual that accompanies your cold plunge, and to complete the warranty registration within 10 days of delivery. These items, along with other valuable information, will be found in the Owner's Package which has been placed in the equipment compartment of your cold plunge, where you will also find its serial number.

Watkins Wellness™ reserves the right to change features, specifications and design without notification and without incurring any obligation.

DATE PURCHASED: _____

DATE INSTALLED: _____

DEALER: _____

ADDRESS: _____

TELEPHONE: _____

In most cities and counties, permits will be required for the installation of electrical circuits or the construction of exterior surfaces (decks and gazebos). In addition, some communities have adopted residential barrier codes which may require fencing and/or self-closing gates on the property to prevent unsupervised access to a pool (or cold plunge) by children under 5 years of age. Your Caldera cold plunge is equipped with a locking cover that meets the ASTM F1346 Standard for Safety Covers and as a result, is usually exempt from most barrier requirements. As a general practice, your local Building Department will inform you of any applicable barrier requirements at the time a permit is obtained for the installation of an electrical circuit. Your Caldera dealer can provide information on which permits may be required.

SITE SELECTION AND PREPARATION

IMPORTANT: Site selection and preparation are your responsibility. Carefully read these instructions and consult your authorized Caldera® dealer if you have any questions.

You probably have a spot picked out for your new cold plunge, whether it's indoors or outdoors, on a patio or on a deck. Just make sure you check the following:

- Always put your cold plunge on a structurally sound, level surface. A filled cold plunge can weigh a great deal. Make certain that the location you choose can support the weight of your filled cold plunge.
- Locate your cold plunge away from any reflective surface or glass. The heat generated by some types of double-pane windows and reflective surfaces can cause serious damage to the exterior of the cold plunge, including the siding and cover. This type of damage is not considered a manufacturing defect, and therefore **NOT COVERED UNDER COLD PLUNGE'S WARRANTY.**
- Locate your equipment compartment, which houses all of the electrical components, in a place where water will drain away from it. Allowing water into the equipment compartment can damage the electronics, or may result in tripping your house's circuit breaker.
- Leave yourself easy access to the interrupter switch by the end of the power cord.
- Never let water get into the interrupter switch, or into the electrical outlet that your cold plunge is plugged into.
- Leave access to the entire left side and back of the cold plunge (the removable panels provide access to the cold plunge's equipment) for periodic cold plunge care and maintenance.

VENTILATION ACCESS

The cold plunge unit has two ventilation locations. The backside panel must be at least 24" (61 cm) away from any wall or obstruction preventing airflow out of the cold plunge (72" [183 cm] is recommended for optimal performance). The side ventilation panel pulls air into the cold plunge and is also the main entrance into the equipment compartment, allow enough space 30" (76 cm) for someone to open and work inside if necessary.

OUTDOOR AND PATIO INSTALLATION

No matter where you install your new cold plunge, it's important that you have a solid foundation to support it. Structural damage to the cold plunge resulting from incorrect installation or placement on an inadequate foundation is not covered under the cold plunge's limited warranty.

DECK INSTALLATION

To be certain your deck can support your cold plunge, you must know the deck's maximum load capacity. **Consult a qualified building contractor or structural engineer before you place the cold plunge on an elevated deck or indoors.** To find the weight of your cold plunge, its contents and occupants, refer to the Cold plunge Specification chart located toward the end of this document. This weight per square foot must not exceed the structure's rated capacity, or serious structural damage could result.

INDOOR INSTALLATION

Be aware of some special requirements if you place your cold plunge indoors. A floor drain is highly recommended. Water will accumulate around the cold plunge, so flooring materials must provide a good grip when wet. Proper drainage is essential to prevent a build-up of water around the cold plunge. 12 feet (3.7 m) long drain tubing from the cold plunge located on the left side needs to either be place into a drain or into a secondary collection tray.

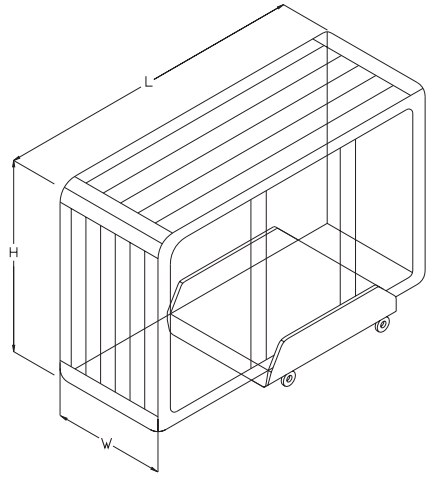
When building a new room for the cold plunge, it is recommended that a floor drain be installed. Some humidity will naturally increase with the cold plunge installed. Water may get into woodwork and produce dry rot, mildew, or other problems. Check for airborne moisture's effects on exposed wood, paper, etc. in the room. To minimize these effects, it is best to provide plenty of ventilation to the cold plunge area. An architect can help to determine if more ventilation must be installed.

Your Caldera dealer can help you with local information such as zoning regulations and building codes.

DELIVERY ACCESS

First, locate the dimensions of your cold plunge on the following chart. The dimensions shown are the measurements of the cold plunge in the vertical position, laid on its side.

Next, contact your dealer to find the height and width added by the delivery cart which the dealer will use to deliver your new cold plunge. Use the height of the cart plus the dimension shown as H to determine the vertical clearance required to pass the cold plunge and cart. Use the width of the cart, or dimension W, whichever is greater, to determine the maximum width of clearance necessary. Use the length dimension L when making any sharp turns to determine the maximum clearance required.



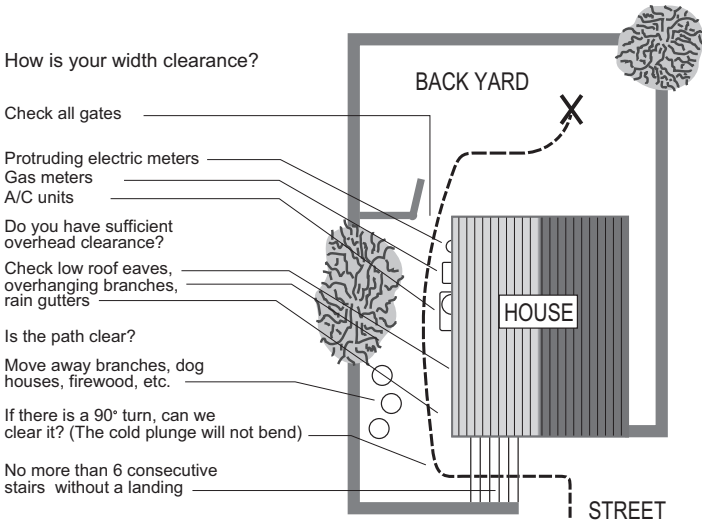
NOTE: It may be necessary to allow for additional overhead clearance if the cold plunge will be rolled up or down an incline or moved up or down a short flight of stairs.

Use the information below to determine the requirements for access to your desired location. It may be necessary to remove a gate, part of a fence, or other movable obstructions in order to roll the cold plunge to its installation site.

Model	Width W	Length L	Height H
EMERGE™	29" (74 cm)	88" (224 cm)	42" (107 cm)

See Illustration above for W,L, and H location on delivery cart.

If the cold plunge has to be taken off of the cart to go over a wall (either because the entry area is too narrow, the eaves are too low, the corner is too tight, or the stairway is too steep), a crane will be required. Don't be alarmed! About ten percent of the time, a crane is the only way to install the cold plunge by lifting it to its final destination.



The crane has a truck-mounted boom which can fit right in your driveway. It is run by a licensed and insured operator. For a charge, the crane operator will lift your cold plunge over walls, buildings, or any other obstruction and place it as close to the installation site as possible. The Caldera® cold plunge delivery personnel will supervise the crane delivery and complete the cold plunge installation.

NOTE: If your cold plunge delivery requires the use of a crane, you may be required to pay for its services at the completion of the delivery.

GROUND PREPARATION

Your Caldera cold plunge has been engineered to perform on all kinds of common yard surfaces. While a concrete slab is best for long-term use*, other foundations are acceptable so long as a level base is prepared prior to delivery.

***NOTE:** Have a reinforced concrete pad at least 4 inches (10cm) thick or a deck that is able to withstand the pounds per square foot listed in the Cold plunge Specification section.

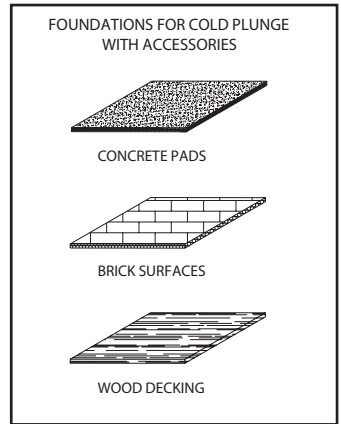
INSTALLATION NOTES:

- Concrete sloped at 1/2 inch per 10 feet (1 cm per 3 m) is preferred so that rain water and water spillover will run off and not puddle underneath the cold plunge (water under the cold plunge for long periods of time may cause the wood to deteriorate).
- If brick or wood decking is selected for the cold plunge foundation, it should be placed and leveled below the entire cold plunge to maintain even distribution of the cold plunge weight.
- It is important to note that if bricks are used to distribute the weight of the cold plunge there may still be a tendency to settle unevenly, resulting in an unlevel cold plunge.
- Remember, placing the cold plunge around grass or dirt may increase the amount of debris which is inadvertently brought into the cold plunge water on the user's feet.

If you are purchasing a deck package or a gazebo with your cold plunge, a solid foundation becomes mandatory. Placing them on any surface other than a single level pad could create problems with their installation. Pictured at right are a few of the recommended surfaces.

As a homeowner, it is your responsibility to provide a suitable, level foundation for your cold plunge. Keep in mind that most delivery crews are not equipped to level and prepare cold plunge sites.

If you are interested in having a concrete slab, brick surface, or wood deck installed, your Caldera dealer should be able to suggest a qualified, licensed contractor.

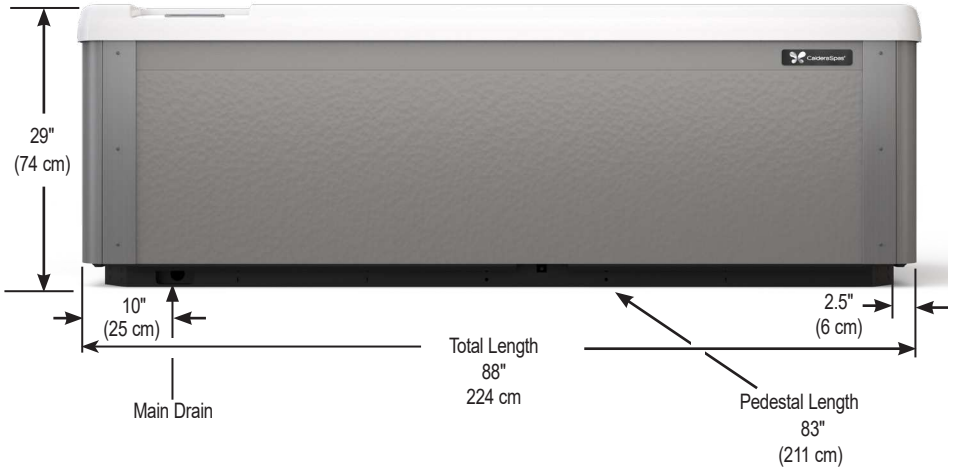


EMERGE™

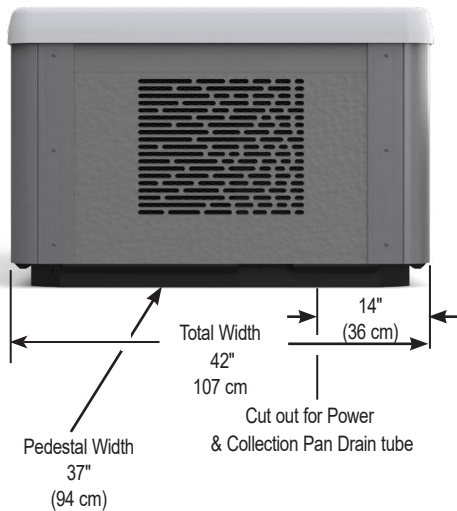
Dimensions

NOTE: All dimensions are approximate; measure your cold plunge before making critical design or pathway decisions. Configuration and location may change without notice.

FRONT SIDE



LEFT SIDE- EQUIPMENT COMPARTMENT



NOTE: WATKINS WELLNESS recommends that the Emerge be installed on a minimum 4" (10.2 cm) thick reinforced concrete pad or structurally sound deck able to support the "dead weight" found in the cold plunge specification chart.

IMPORTANT: THE EMERGE MUST NOT BE SHIMMED IN ANY MANNER.

ELECTRICAL REQUIREMENTS

 **DO NOT POWER THE COLD PLUNGE WITHOUT FIRST FILLING WITH WATER!**

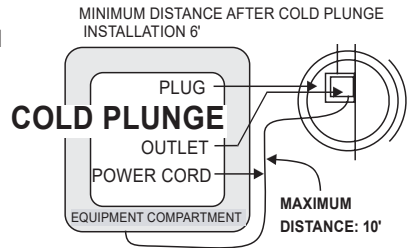
IMPORTANT: BECAUSE OF SHIPPING ORIENTATION, WAIT 24 HOURS TO FILL AND START YOUR COLD PLUNGE ONCE IT IS IN PLACE.

 **DANGER – RISK OF ELECTRIC SHOCK**

Installations that do not conform to the following procedures and requirements may expose users to electric shock. Non-conforming installations will not be covered under warranty.

If installed in the United States, the electrical wiring of this cold plunge must meet the requirements of the National Electric Code (NEC) and any applicable state or local codes. The electrical circuit (plug) must be installed by an electrical contractor and approved by a local building electrical inspection authority.

1. The electrical supply for the cold plunge must include a suitable rated switch or circuit breaker to open all ungrounded supply conductors to comply with the National Electric Code
2. The 115 V model must use the provided 15 foot (4.5 m) GFCI cord and be plugged directly into a dedicated GFCI grounded circuit wall outlet between 6' (1.8 m) and 10' (3 m) from the cold plunge. Do not use an extension cord or any other disconnect-able power cord. The use of an extension cord or a disconnect-able power cord is highly dangerous and will void all warranties!



115 VOLT INSTALLATION (CORD CONNECTED)

The cold plunge comes with a factory-installed power supply GFCI cord to be plugged into a GFCI grounded circuit 115 volt, 15 amp receptacle. No other electrical appliance or fixture should be used on this circuit. The cord is located inside the Equipment compartment.

IMPORTANT: Under **NO** circumstances should an extension cord be used. Use of an extension cord will seriously degrade the performance of the equipment and can create an electrical hazard.



CONTRACTOR SUGGESTIONS

ELECTRICIAN

Name: _____

Telephone: _____

Name: _____

Telephone: _____

General

Name: _____

Telephone: _____

Name: _____

Telephone: _____

ADDITIONAL PRODUCTS AVAILABLE FROM YOUR CALDERA® COLD PLUNGE DEALER

- FreshWater® 5-way Test Strips
- FreshWater® Instant Filter Cleaner and Filter Cleaner
- Clean Screen® Pre-Filter
- Cold plunge vacuums
- Replacement filter cartridges
- Cold plunge Steps
- Polyester covers
- UV Replacement bulb

SERVICES AVAILABLE FROM YOUR CALDERA® Cold plunge DEALER

<i>Service</i>	<i>Cost</i>
Pre-Delivery site inspection	_____
Deliver cold plunge to installation site	_____
Unwrap cold plunge and haul away packaging material	_____
Set up cold plunge	_____
Fill the cold plunge with water	_____
Connect the cold plunge to its power source (115 Volt 15 amp)	_____
Explain and test the cold plunge's operation <ul style="list-style-type: none">• Set temperature control• Control panel functions	_____
Explain the safety features <ul style="list-style-type: none">• GFCI• Heater Pump limits	_____
General cold plunge operation & maintenance orientation	_____
Water quality and maintenance orientation	_____
Adjust the water's Total Alkalinity, and pH	_____
Sanitize the water	_____
Inspect the cold plunge cover, place on cold plunge and install cover locks	_____
Review Owner's Manual & Warranty Card	_____
Follow-up call	_____
In-store cold plunge water analysis	_____
TOTAL COST	_____

Cold plunge Specifications

	Footprint dimensions	Height	Effective filter area	Heat pump (Temp Range)	Water capacity	Dry weight	Filled weight*	Dead weight*	Electrical requirements
Emerge™ Seating (1Adult)	88" x 42" 2.24 cm x 1.07 cm	29" 74 cm	25 ft²	40°F to 80°F 5°C to 27°C	110 Gallons 425 litres	365 lbs 165 kg	1,460 lbs 670 kg	75 lbs/ft² 375 kg/m²	115 volt 15 amp

CAUTION: WATKINS WELLNESS suggests a structural engineer or contractor be consulted before the cold plunge is placed on an elevated deck.

* **NOTE:** The "Filled weight" and "Dead weight" of the cold plunge includes the weight of the max. occupants (assuming an average occupant weight of 175 lbs (80 kg)).

Please note: Due to our manufacturing processes, cold plunge size tolerances or dimensions may vary by .5" or 1.25 cm.



Watkins Wellness®

Feel good. Live well.

1280 Park Center Drive
Vista, California 92081
(800) 999-4688 extension 8432

©2025 WATKINS WELLNESS. Caldera, Emerge, FreshWater, Clean Screen and The Home Relaxation Specialists are trademarks of WATKINS WELLNESS.

63768.25 A (2/25)